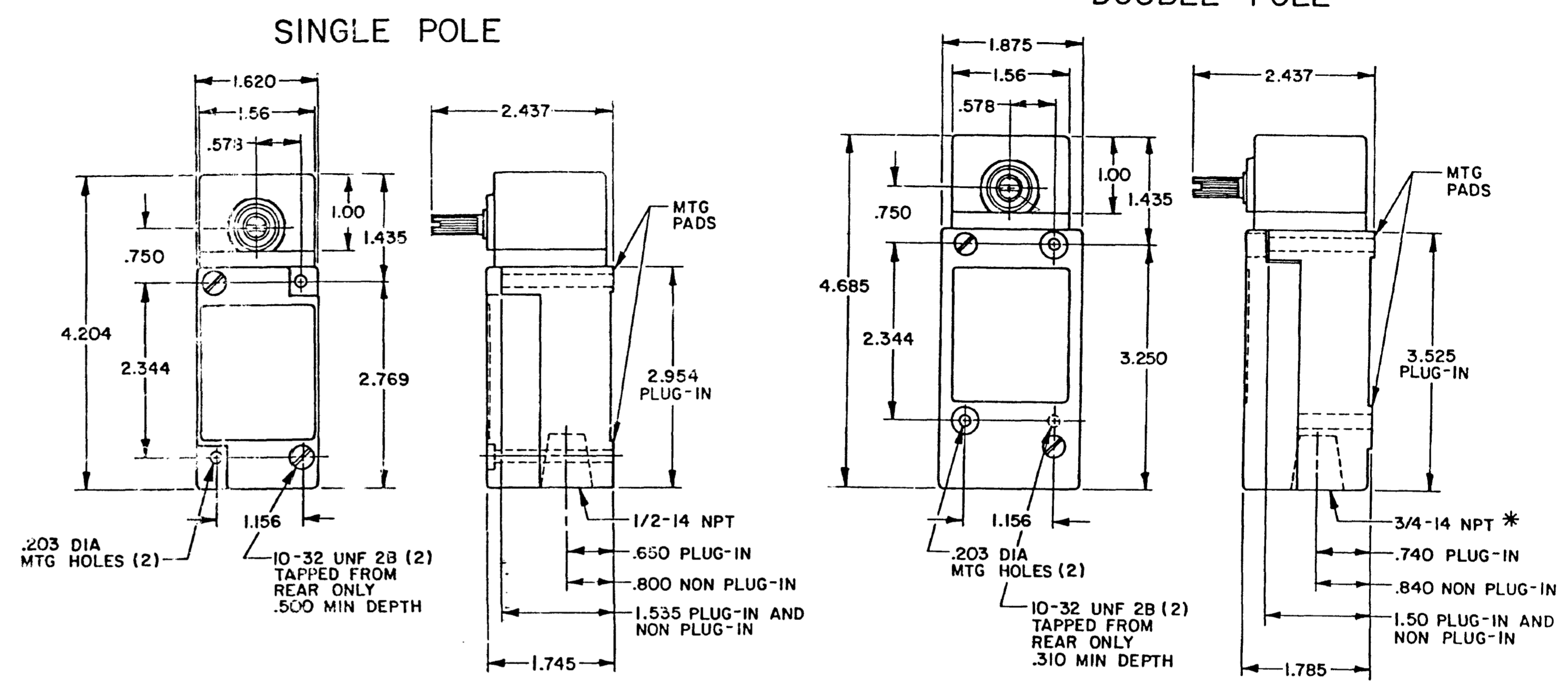


OPERATING CHARACTERISTICS	LSA		LSR		LSN	LSP		LSH	
	MOMENTARY		MOMENTARY LOW TORQUE		MAINTAINED	MOMENTARY LOW PRETRAVEL AND DIFF. TRAVEL		MOMENTARY LOW PRETRAVEL AND LOW TORQUE	
PRETRAVEL(MAX)	15°		15°		65°	9°		9°	
OVERTRAVEL(MIN)	60°		60°		20°	66°		66°	
DIFFERENTIAL TRAVEL(MAX)	SINGLE POLE	DOUBLE POLE	SINGLE POLE	DOUBLE POLE	40°	SINGLE POLE	DOUBLE POLE	SINGLE POLE	DOUBLE POLE
	5°	7°	5°	7°		3°	4°	3°	4°
TOTAL TRAVEL (REF)	75°		75°		90°	75°		75°	
OPERATING TORQUE(MAX)	4 IN. LBS		1.7 IN. LBS		4 IN. LBS	4 IN. LBS		1.7 IN. LBS	
FULL TRAVEL TORQUE(MAX)	4 IN. LBS		1.7 IN. LBS			4 IN. LBS		1.7 IN. LBS	
OPERATING CHARACTERISTICS	LSU		LSL	LSM	LST	LSS			
	LOW PRETRAVEL		SEQUENCE DOUBLE POLE ONLY	CENTER NEUTRAL DOUBLE POLE ONLY	MOMENTARY	GRAVITY RETURN			
PRETRAVEL(MAX)	5°		1ST STEP 15°	18°	15°	NOT APPLICABLE			
OVERTRAVEL(MIN)	70°		2ND STEP 10° ADD'L	57°	60°	NOT APPLICABLE			
DIFFERENTIAL TRAVEL(MAX)	SINGLE POLE	DOUBLE POLE	5°	10°	SINGLE POLE	DOUBLE POLE	12°		
	5°	4°			3°	4°			
TOTAL TRAVEL (REF)	75°		75°	75°	75°	360°			
OPERATING TORQUE(MAX)	4 IN. LBS		4 IN. LBS	4 IN. LBS	12 IN-OZ	5 IN-OZ			
FULL TRAVEL TORQUE(MAX)	4 IN. LBS		4 IN. LBS	4 IN. LBS	12 IN-OZ	5 IN-OZ			

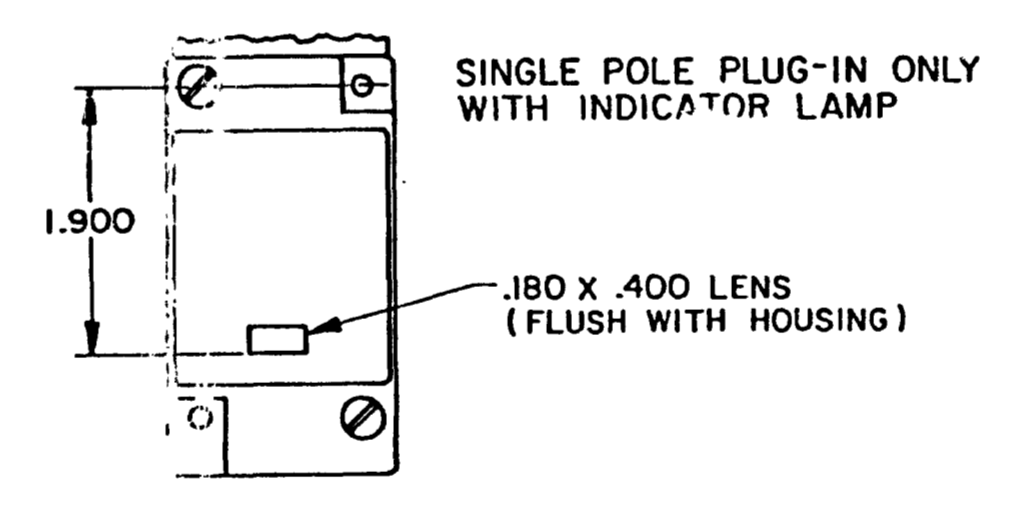
SIDE ROTARY



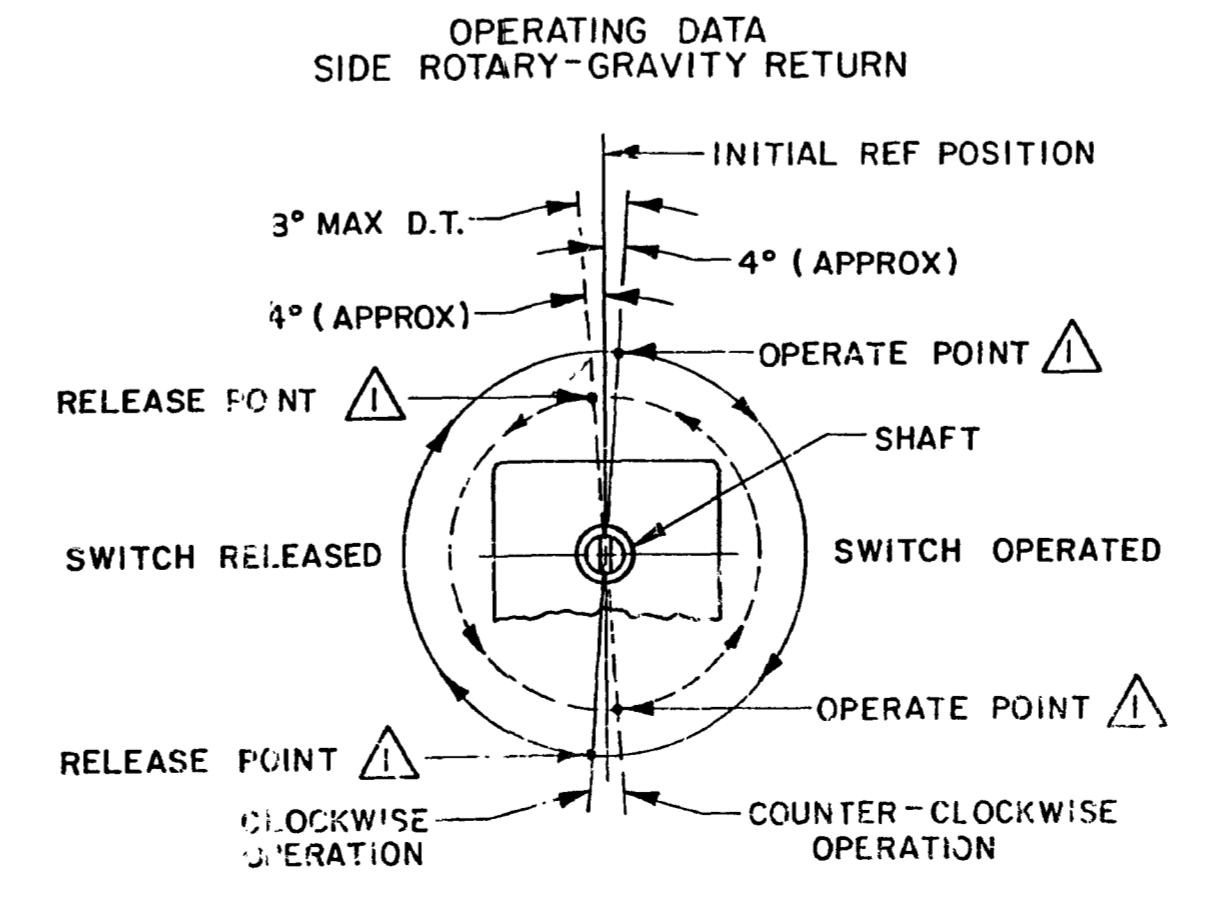
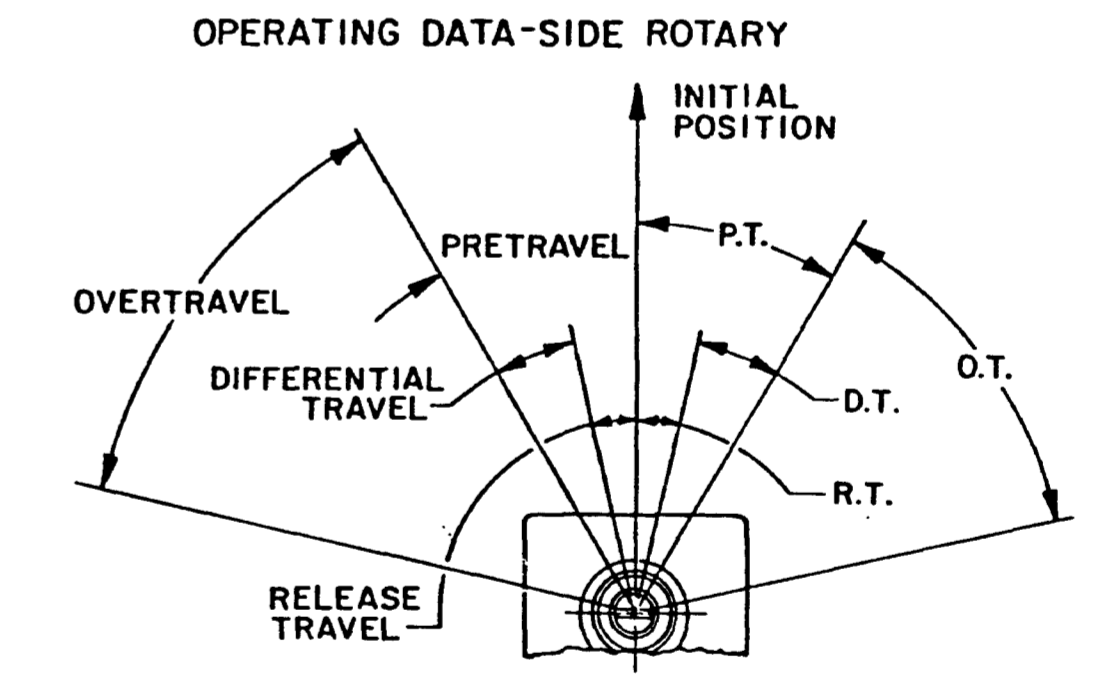
TYPE: LSA1, LSH1, LSN1, LSP1, LSR1
 LSA3, LSH3, LSN3, LSP3, LSR3
 LSS1, LST1

TYPE: LSA2, LSH2, LSM2, LSN2, LSP2, LSR2
 LSA4, LSH4, LSM4, LSN4, LSP4, LSR4

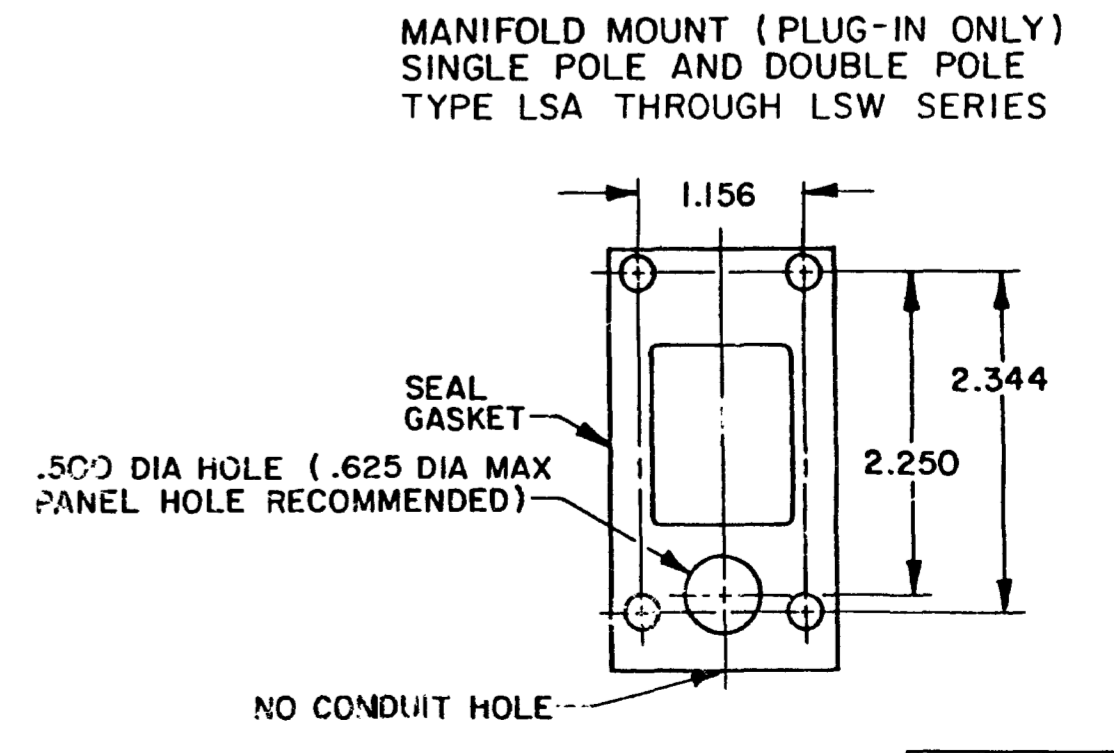
*LSA6, LSH6, LSM6, LSN6, LSP6, LSR6
 LSA7, LSH7, LSM7, LSN7, LSP7, LSR7 HAVE
 1/2-14 NPT CONDUIT HOLE



120 LAMP VOLTAGE -
 TYPE LSA5, LSH5, LSN5, LSP5, LSR5
 240 LAMP VOLTAGE -
 TYPE LSA8, LSH8, LSN8, LSP8, LSR8



NOTE
 OPERATE AND RELEASE POINTS WILL EXCHANGE
 LOCATIONS IF SHAFT IS ROTATED 180°



THIS DRAWING COVERS A PROPRIETARY ITEM AND IS THE PROPERTY OF MICRO SWITCH A DIVISION OF HONEYWELL THIS DRAWING IS NOT TO BE COPIED OR USED WITHOUT THE APPROVAL OF MICRO SWITCH

MICRO SWITCH
 a Honeywell Division

SWITCH - ENCLOSED

LSA-LSW SERIES CHART 1

SCALE NONE
 DO NOT SCALE PRINT
 UNLESS OTHERWISE SPECIFIED TOLERANCES ARE
 ONE PLACE (.0) ±.030
 TWO PLACES (.00) ±.015
 THREE PLACES (.000) ±.005
 ANGLES ±
 WEIGHT

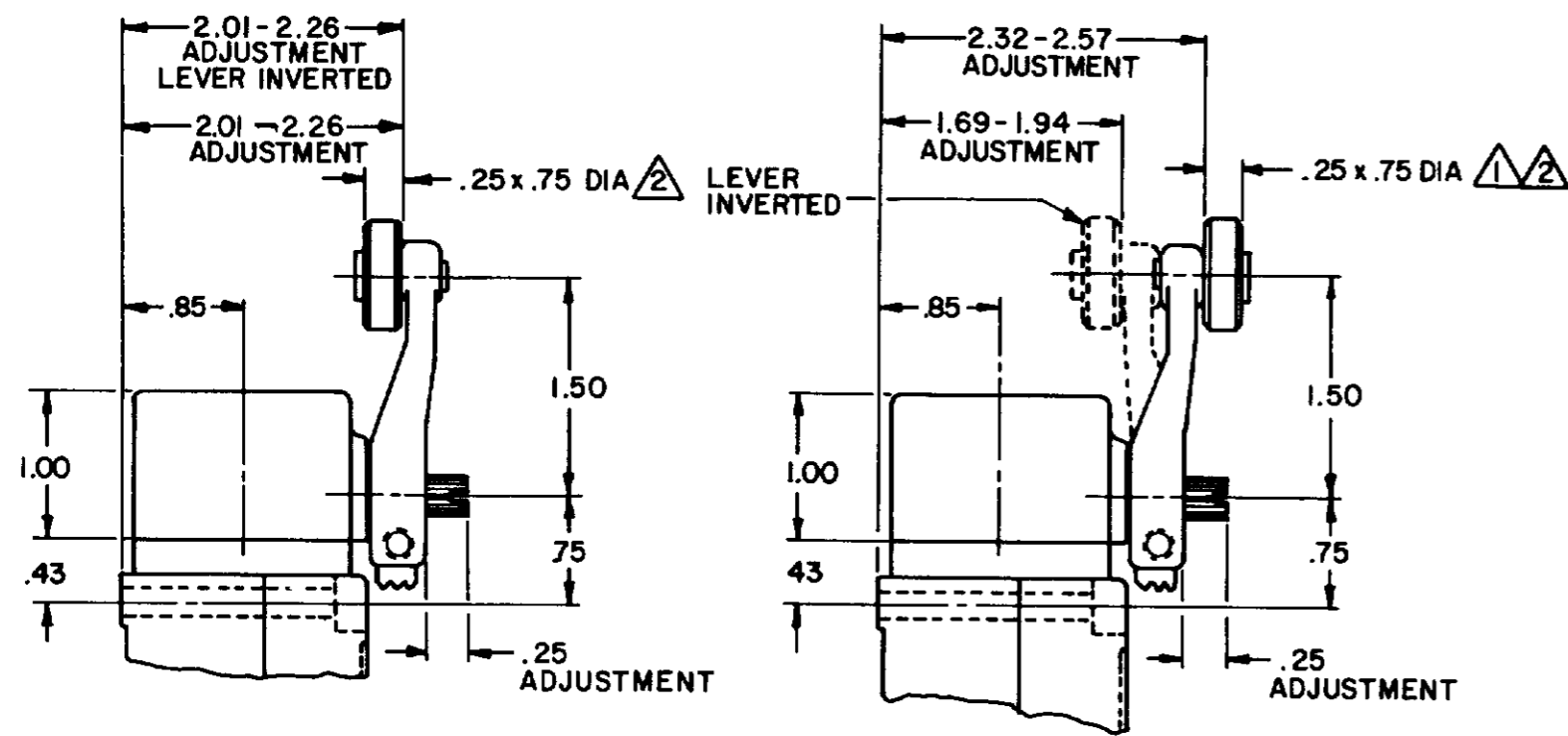
REV. 1001007

REVISIONS

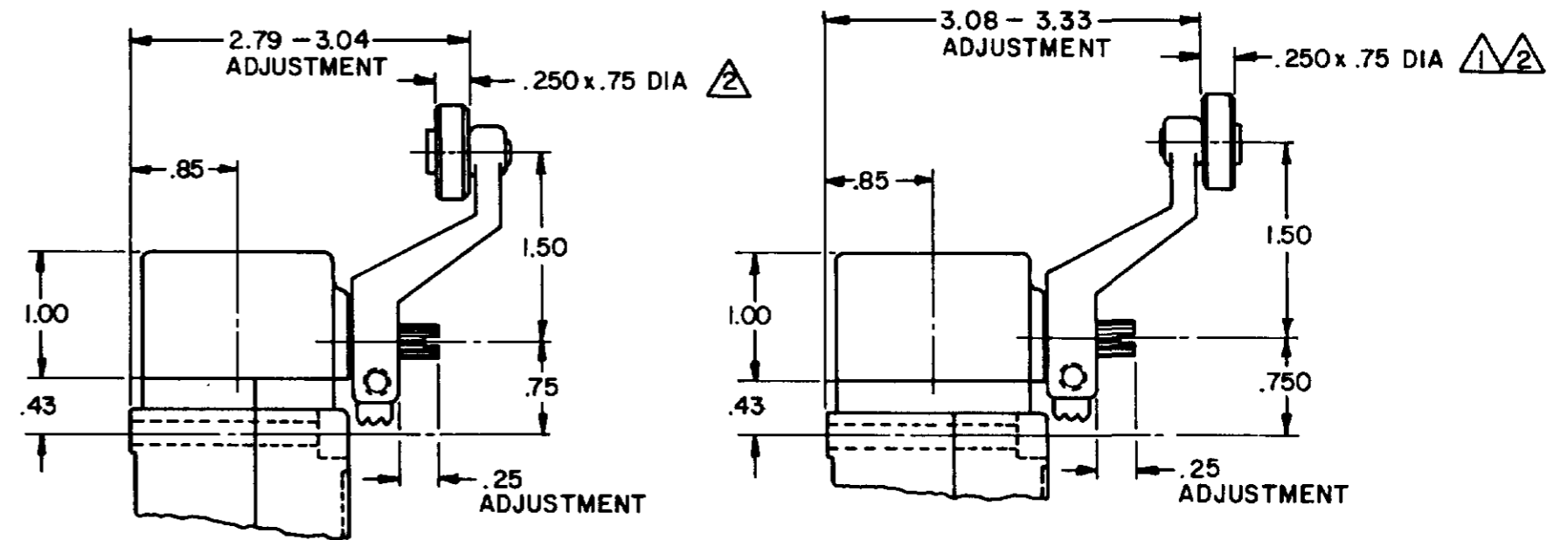
1	0031958	
2	1001007	
3	201004	
4	1001007	
5	201748	
6	170800	
7	202198	
8	202198	
9	204871	
10	206851	
11	207179	
12	207474	
13	207474	
14	207474	
15	207474	

ISSUE 12
 LSA-LSW SERIES CHART 1
 MICRO SWITCH
 MAM 15 JUN 94
 11AUG04
 11 JUL 94
 11AUG04

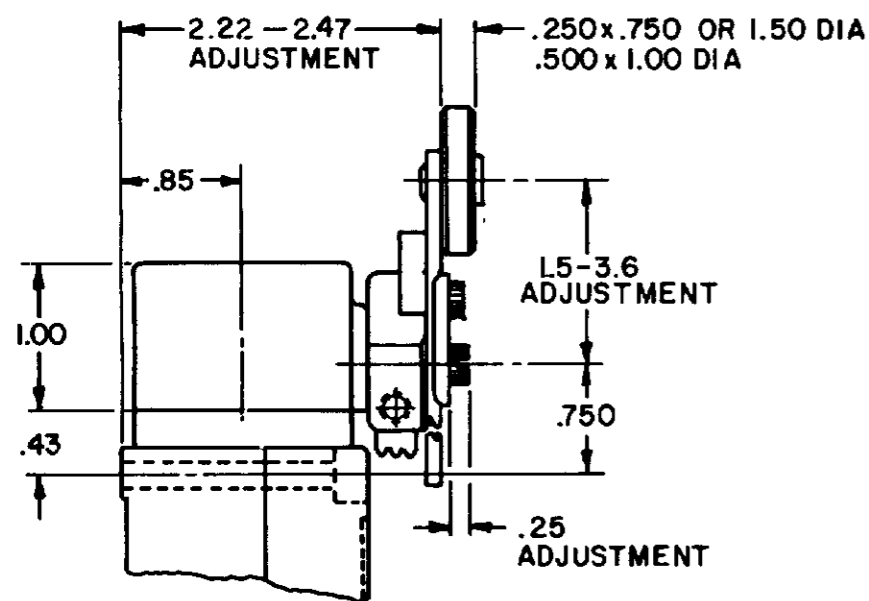
SIDE ROTARY CAM TRACKING



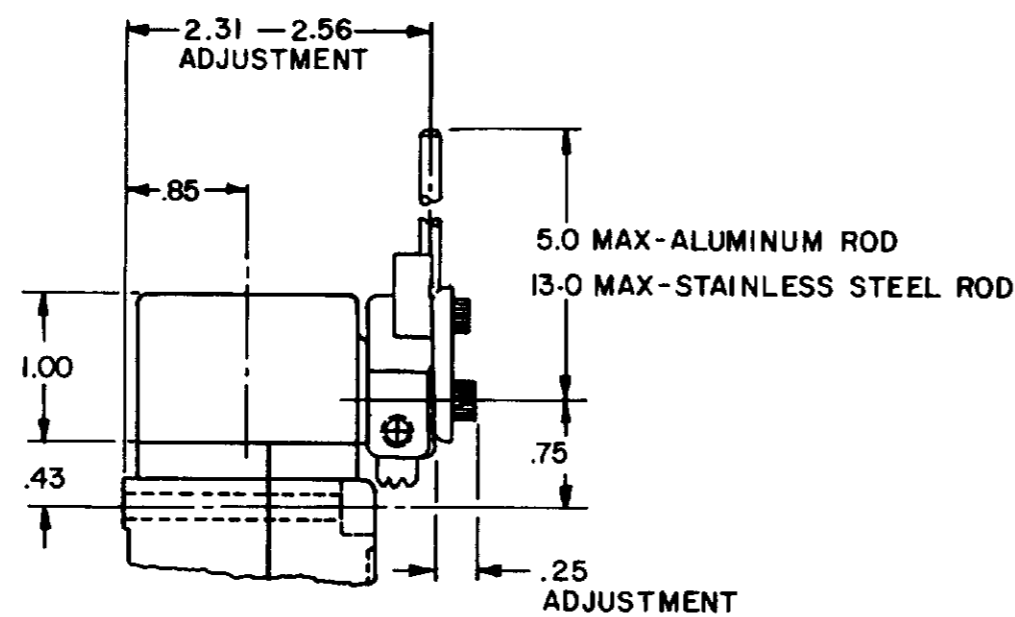
LSZ51 TYPE LEVERS



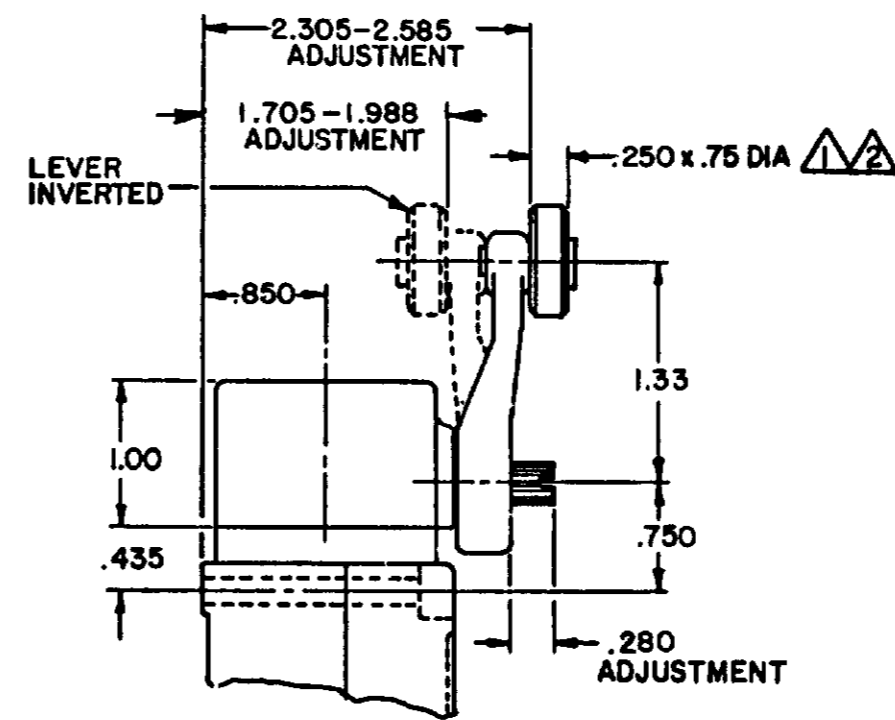
LSZ55 TYPE LEVERS



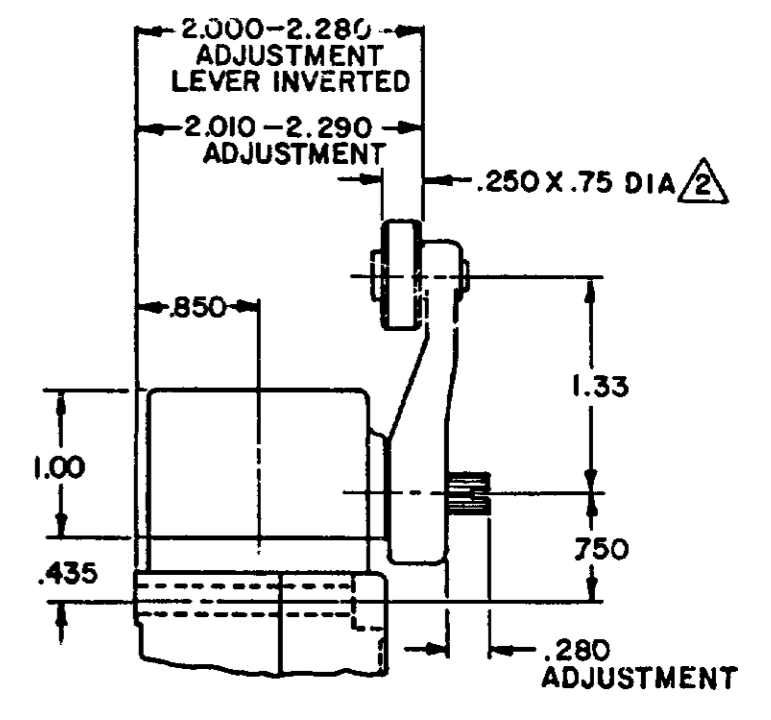
LSZ52 TYPE LEVER



LSZ54 TYPE LEVER



OPEN MOUNTED ROLLER



CLOSED MOUNTED ROLLER

LSZ59 TYPE LEVERS

NOTES

- 1 ALSO AVAILABLE IN Ø.250 X 1.500 NYLON, BUT LEVER CANNOT BE INVERTED
- 2 FOR ADDITIONAL ROLLER WIDTHS AND/OR DIAMETERS REFER TO "M" DRAWING
- 3 - FOR ADDITIONAL TYPES OF ROLLERS AND LEVERS REFER TO LSZ CHART 1 "M" DRAWING

CATALOG LISTING LSA-LSW SERIES CHART 1 PAGE 2 OF 10
 ISSUE 12
 REVISIONS: L 0031956 BS 10 JUL 07, B 201004 C.S.L. 10 AUG 00, C 201748 C.S.L. 17 NOV 00, D 202198 C.S.L. 23 JAN 01, E 204871 C.T.W. FEB 02, F 206581 G.L.H. 14 OCT 02, G 206763 C.S.L. 31 OCT 02, H 207179 G.L.H. 14 JAN 03, J 207474 S.H. 18 FEB 03, K 0006871 RR 11/06/04
 CHECK PSR 10 JUL 07, PSR 11 AUG 04, PSR 11 JUL 94, PSR 15 JUN 94
 REPLACES LSA-LSW SERIES CO-78498

THIS DRAWING COVERS A PROPRIETARY ITEM AND IS THE PROPERTY OF MICRO SWITCH, A DIVISION OF HONEYWELL. THIS DRAWING IS NOT TO BE COPIED OR USED WITHOUT THE APPROVAL OF MICRO SWITCH.		PAGE 2 OF 10	
MICRO SWITCH a Honeywell Division		SWITCH - ENCLOSED	
FED. MFG. CODE 91929		CATALOG LISTING LSA-LSW SERIES CHART 1	
THIRD ANGLE PROJECTION			
SCALE NONE			
DO NOT SCALE PRINT			
UNLESS OTHERWISE SPECIFIED TOLERANCES ARE			
ONE PLACE	()	±.030	
TWO PLACES	(.00)	±.015	
THREE PLACES	(.000)	±.005	
ANGLES		±	
WEIGHT			

ISSUE 12 PSR 10JUL07 RELEASE NO CO-78498 REPLACES LSA-LSW SERIES

CATALOG LISTING
M LSA-LSW SERIES CHART 1
PAGE 3 OF 10

REV. SIONS
L 0031958
M 1 JUL 07
B 201004
C 201748
D 202198
E 204871
F 206581
G 206763
H 207179
J 207474
K 0006871

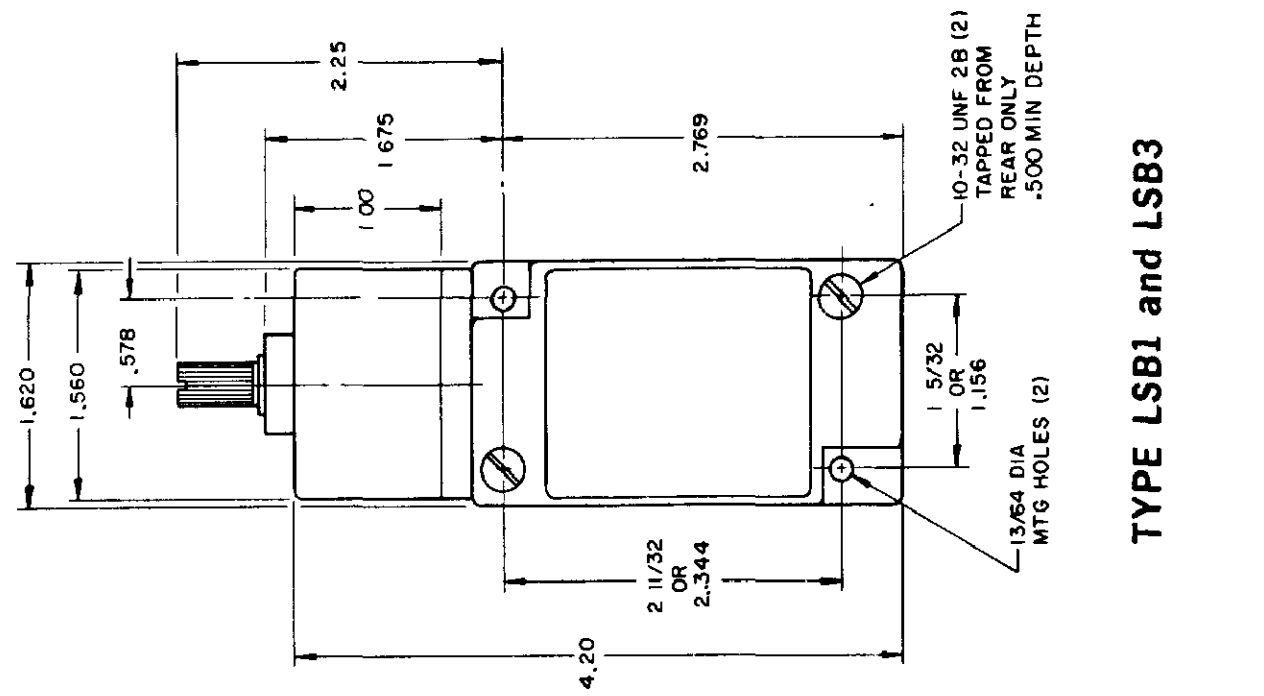
CHECK 11AUG04
CHECK 1 JUL 94
CHECK JAF

MAM 15 JUN 94

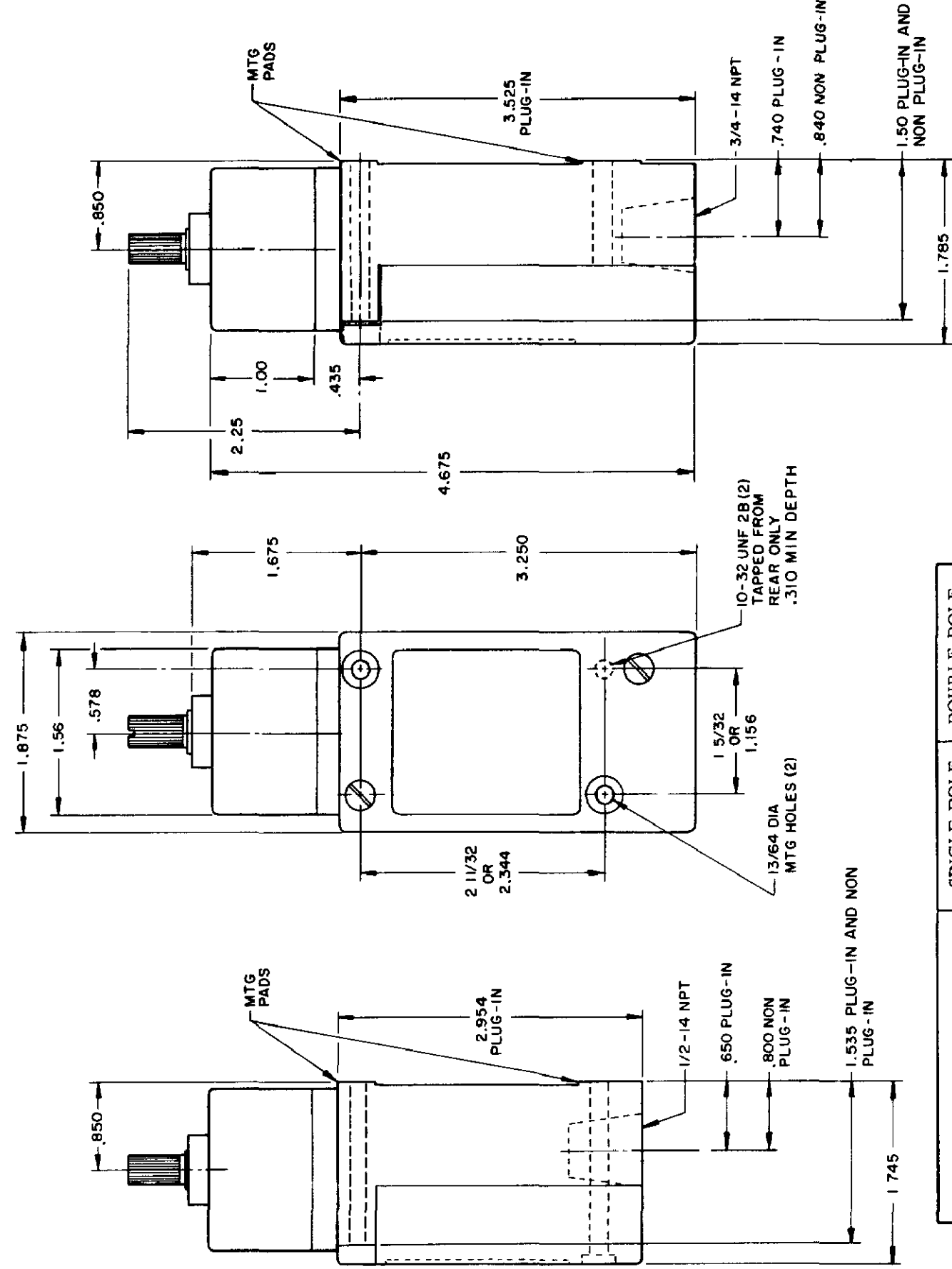
TOP ROTARY

SINGLE POLE

DOUBLE POLE



TYPE LSB1 and LSB3



TYPE LSB2 and LSB4
LSB6 and LSB7 have 1/2 - 14 NPT CONDUIT HOLE

	SINGLE POLE	DOUBLE POLE
PRETRAVEL MAX	25°	25°
OVERTRAVEL MIN	110°	110°
DIFFERENTIAL TRAVEL MAX	10°	12°
OPERATING TORQUE MAX	2.5 IN. LBS	2.5 IN. LBS
TOTAL TRAVEL (REF)	135°	135°

ELECTRICAL RATINGS

A.C. VOLTAGE	AMPS AT 35 POWER FACTOR			
	SINGL POLE		DOUBLE POLE	
	MAKE	BREAK	MAKE	BREAK
120	60	6	30	3
240	30	3	15	1.5
480	15	1.5	7.5	7.5
600	12	1.2	6	6

D.C. VOLTAGE	MAKE & BREAK	
	INDUCTIVE	RESISTIVE
120	0.25	0.80
240	0.15	0.40

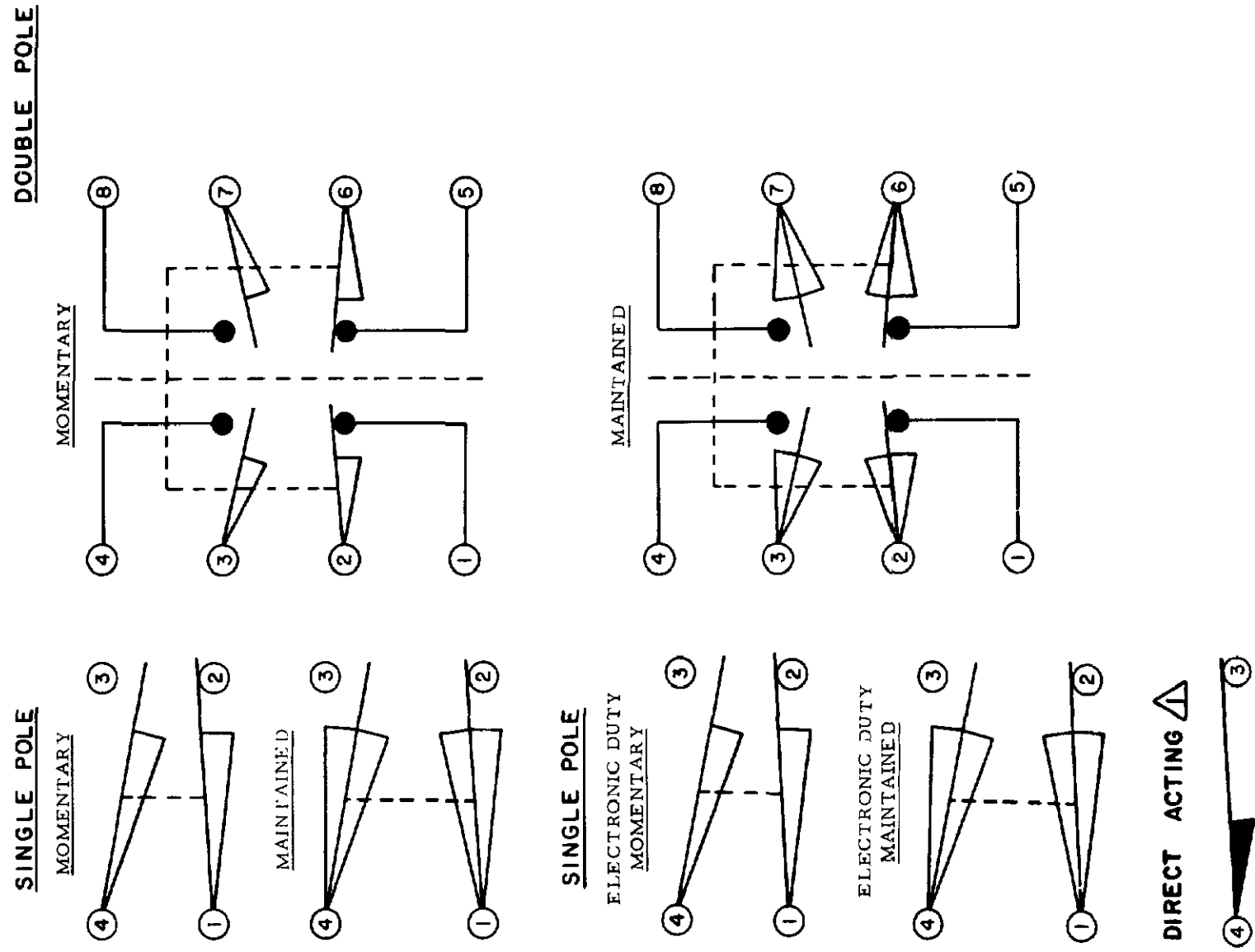
ELECTRONIC DUTY BASIC SWITCH
10 AMP CONT.

VOLTAGE	MAKE AND BREAK AMPS	
	INDUCTIVE	RESISTIVE
5 AC OR DC MIN	01 AMP MIN	
600 AC	720 VA	
240 DC	30 WATT	

DIRECT ACTING (ALSO RATED AT A.C. 10 AMP CONT.)

D.C. VOLTAGE	MAKE AND BREAK AMPS	
	INDUCTIVE	RESISTIVE
30	4.2	4.2
120	1.1	1.1
240	.55	.55

WIRING BASIC SWITCH
(SAME POLARITY MUST BE OBSERVED FOR EACH POLE)

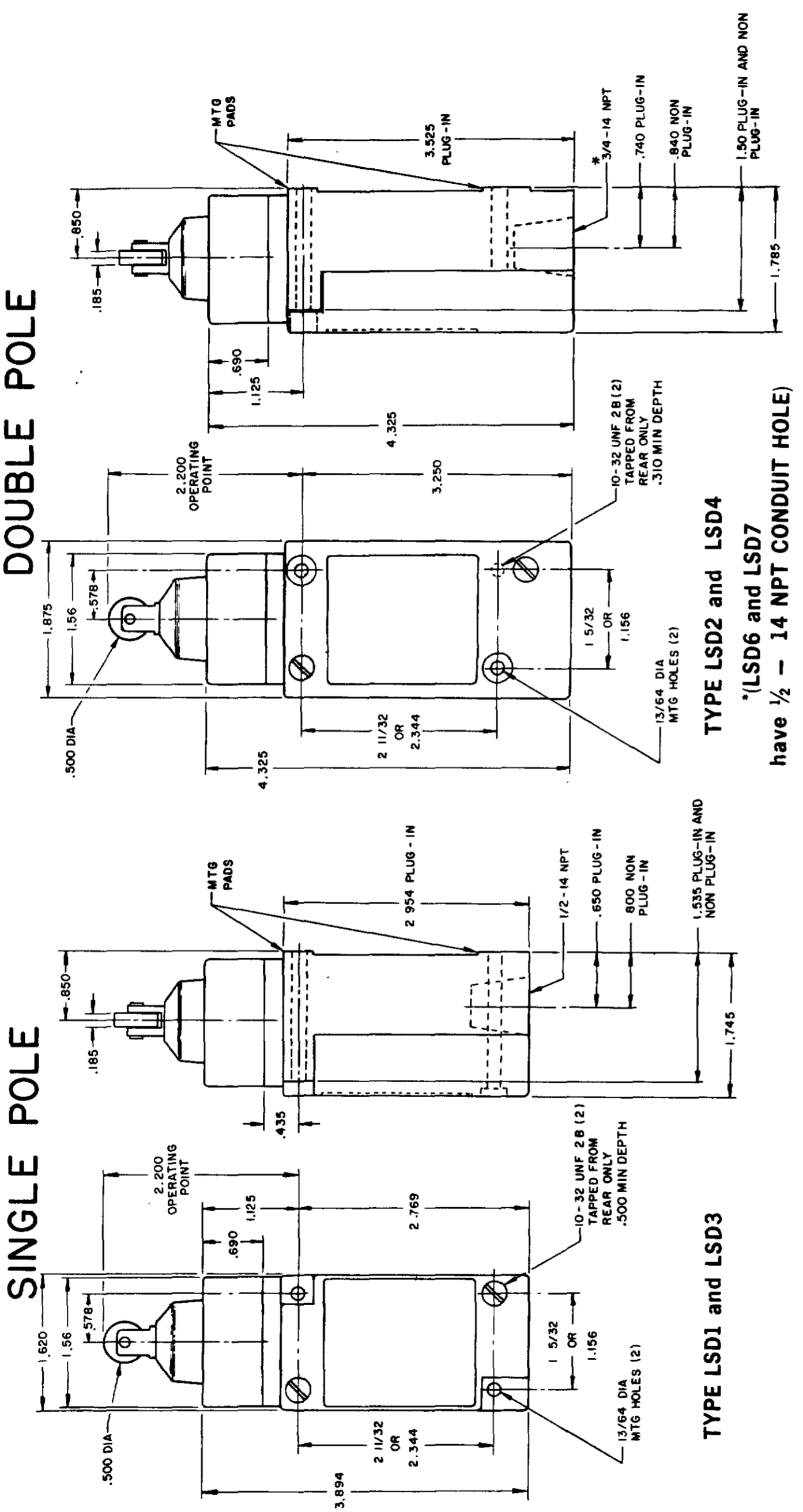


NOTES
DIFFERENTIAL TRAVEL ON ALL OPERATING CHARACTERISTICS NOT APPLICABLE

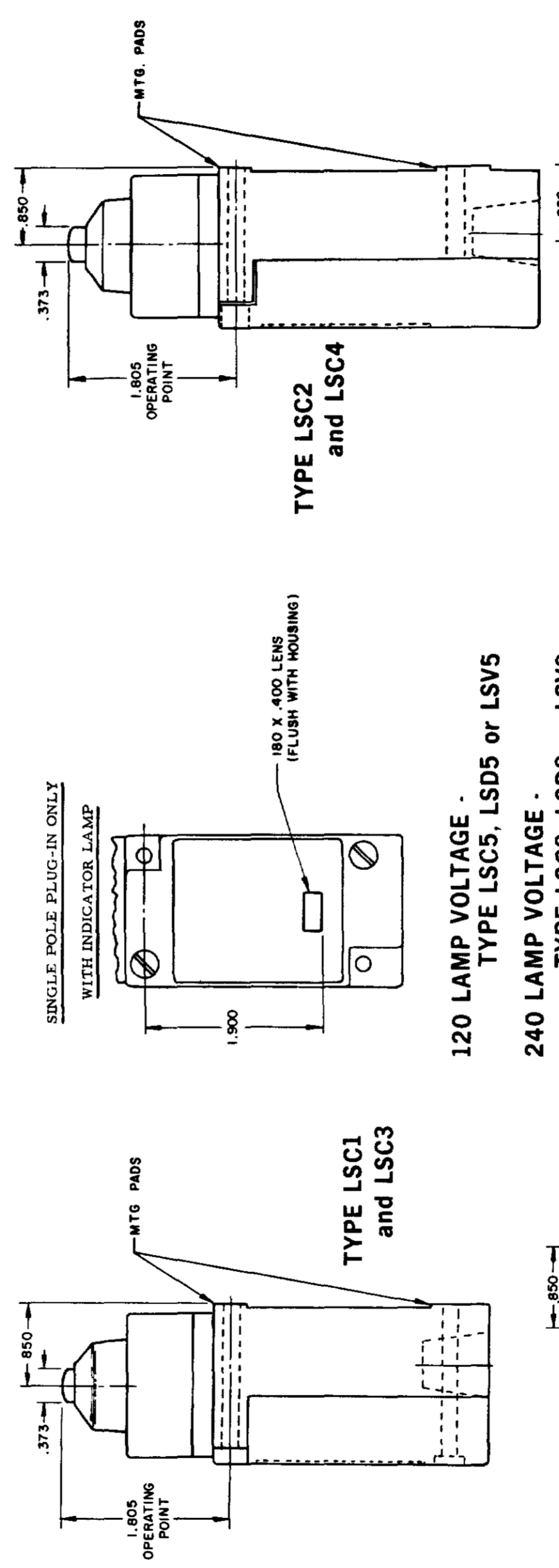
PLUNGER TYPE TOP

SINGLE POLE

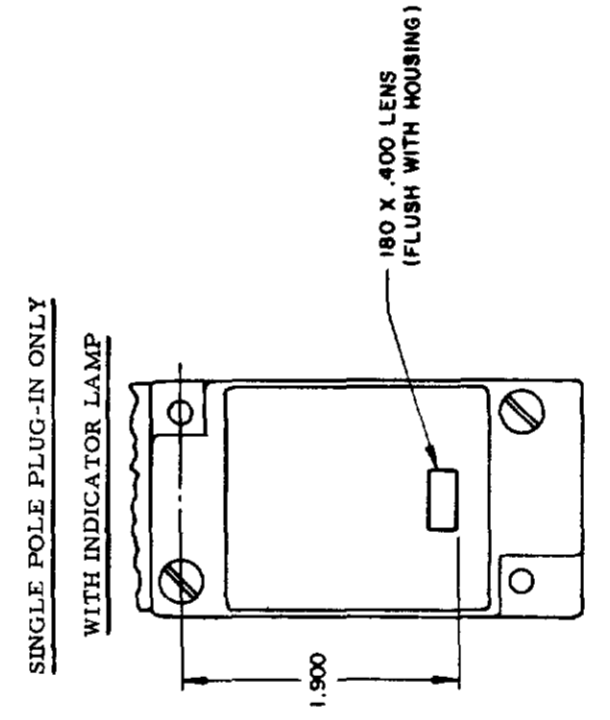
DOUBLE POLE



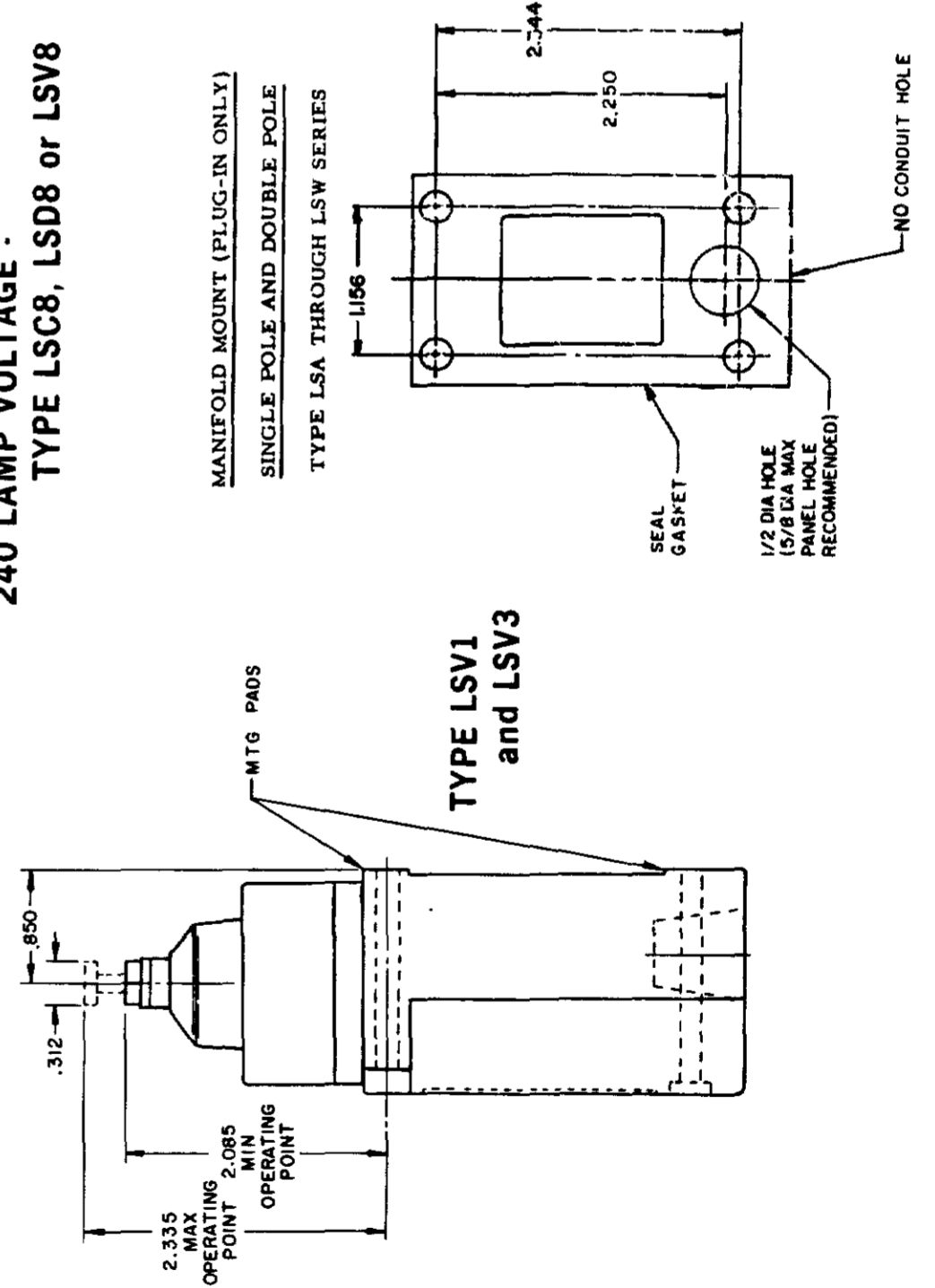
TYPE LSD1 and LSD3
TYPE LSD2 and LSD4
***(LSD6 and LSD7**
have 1/2 - 14 NPT CONDUIT HOLE)



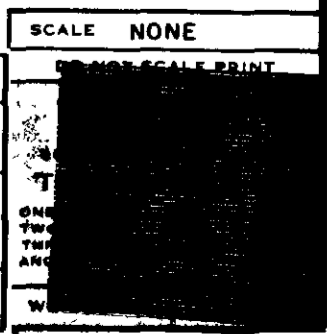
TYPE LSC1 and LSC3
TYPE LSC2 and LSC4
TYPE LSV1 and LSV3
TYPE LSV2 and LSV4



SINGLE POLE PLUG-IN ONLY WITH INDICATOR LAMP
120 LAMP VOLTAGE - TYPE LSC5, LSD5 or LSV5
240 LAMP VOLTAGE - TYPE LSC8, LSD8 or LSV8



MANIFOLD MOUNT (PLUG-IN ONLY)
SINGLE POLE AND DOUBLE POLE
TYPE LSA THROUGH LSW SERIES
SEAL GASKET
1/2 DIA HOLE (5/8 DIA MAX PANEL HOLE RECOMMENDED)
NO CONDUIT HOLE



THIS DRAWING COVERS A PROPRIETARY ITEM AND IS THE PROPERTY OF MICRO SWITCH, A DIVISION OF HONEYWELL. THIS DRAWING IS NOT TO BE COPIED OR USED WITHOUT THE APPROVAL OF MICRO SWITCH.

MICRO SWITCH a Honeywell Division <small>FED MFG CODE 91929</small>	SWITCH - ENCLOSED	CATALOG LISTING LSA-LSW SERIES CHART 1
--	--------------------------	--

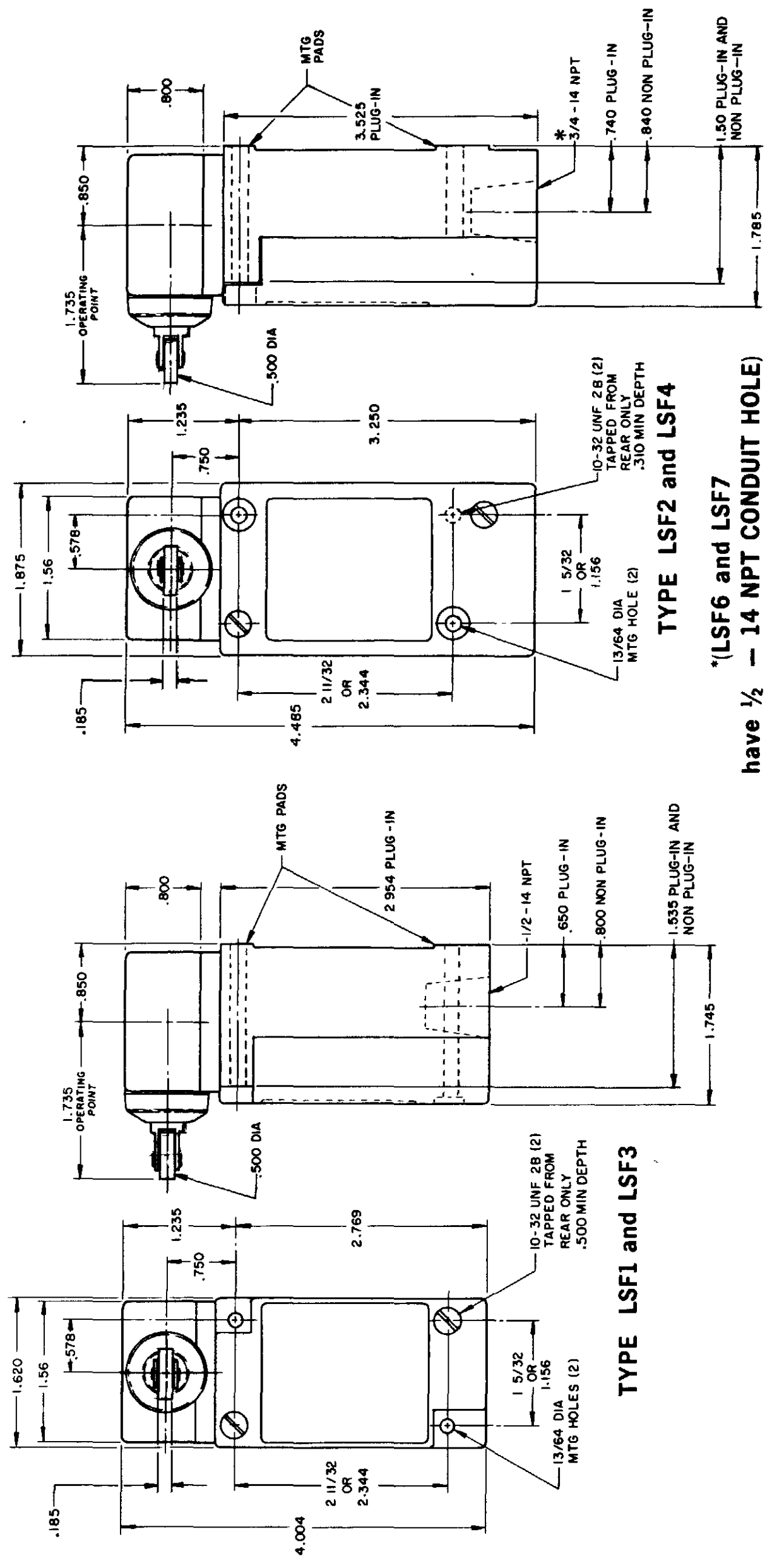
RASTER	15 JUN 94	CHECK	JAF
DRAWN	11 JUL 94	CHECK	AK
MAM	11 AUG 94	CHECK	AK

REV	DATE	BY	CHKD	DESCRIPTION
L	0031956			
B	10 JUL 97			
C	10 AUG 00			
D	17 NOV 00			
E	23 JAN 01			
F	206581			
G	206763			
H	207179			
I	207474			
J	207503			
K	0005871			

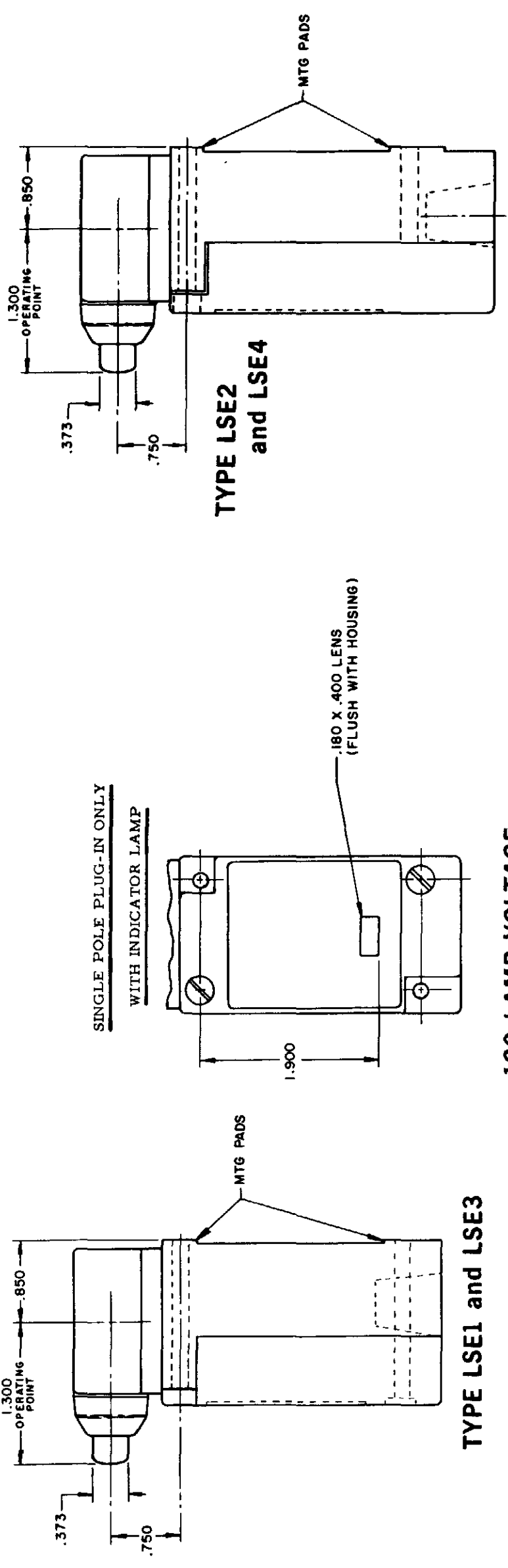
ISSUE 12
M LSA-LSW SERIES CHART 1
 PAGE 5 OF 10
 RELEASE NO CO-78498 REPLACES LSA-LSW SERIES

SIDE PLUNGER TYPE

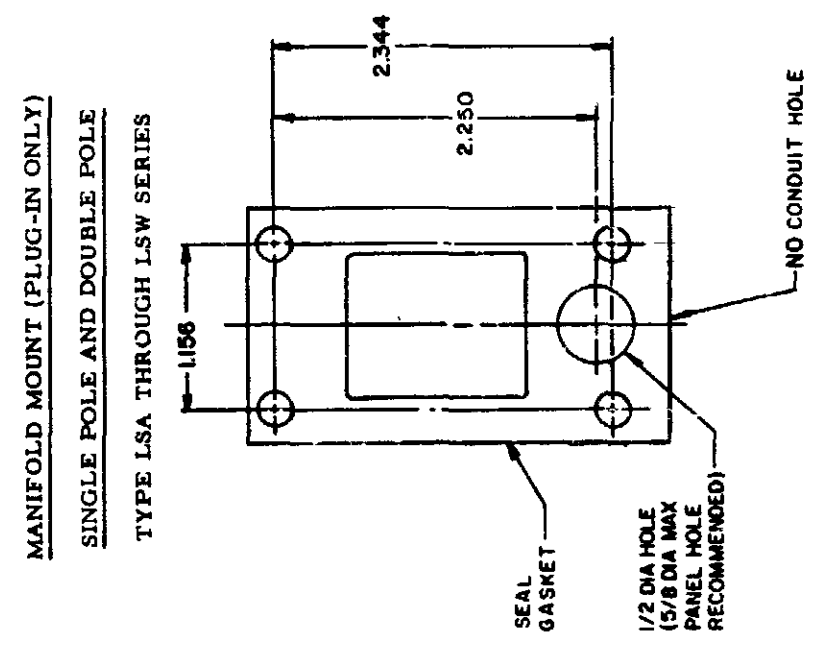
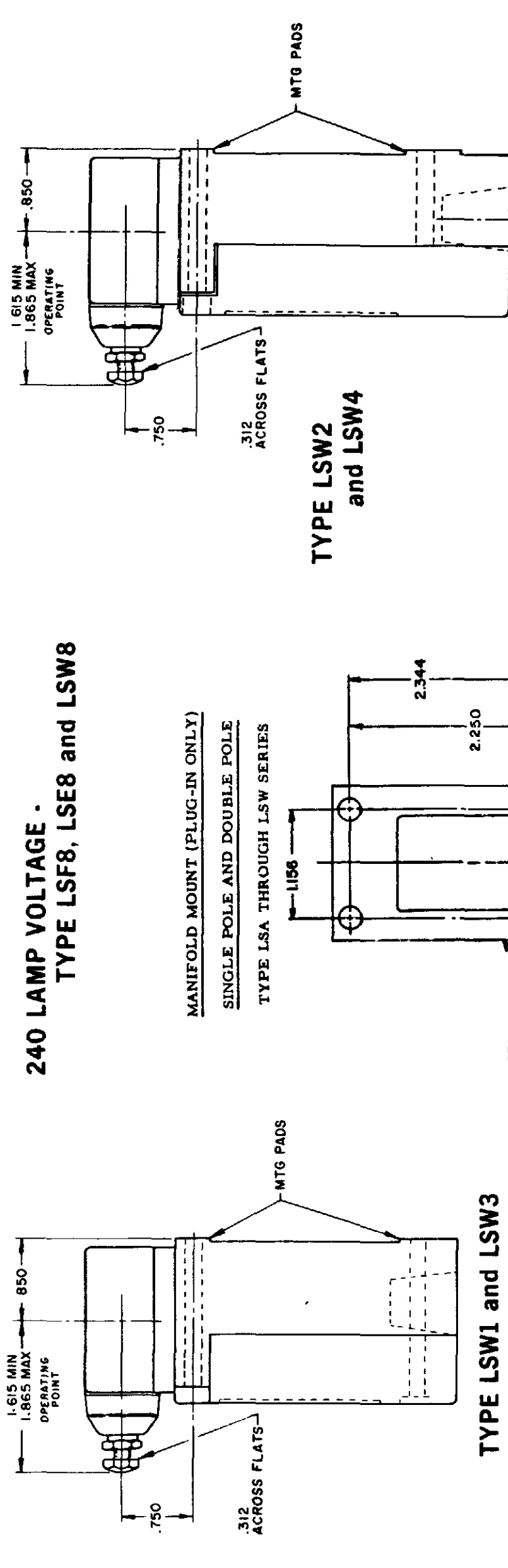
SINGLE POLE DOUBLE POLE



* (LSF6 and LSF7 have 1/2 - 14 NPT CONDUIT HOLE)



120 LAMP VOLTAGE - TYPE LSF5, LSE5 and LSW5
 240 LAMP VOLTAGE - TYPE LSF8, LSE8 and LSW8



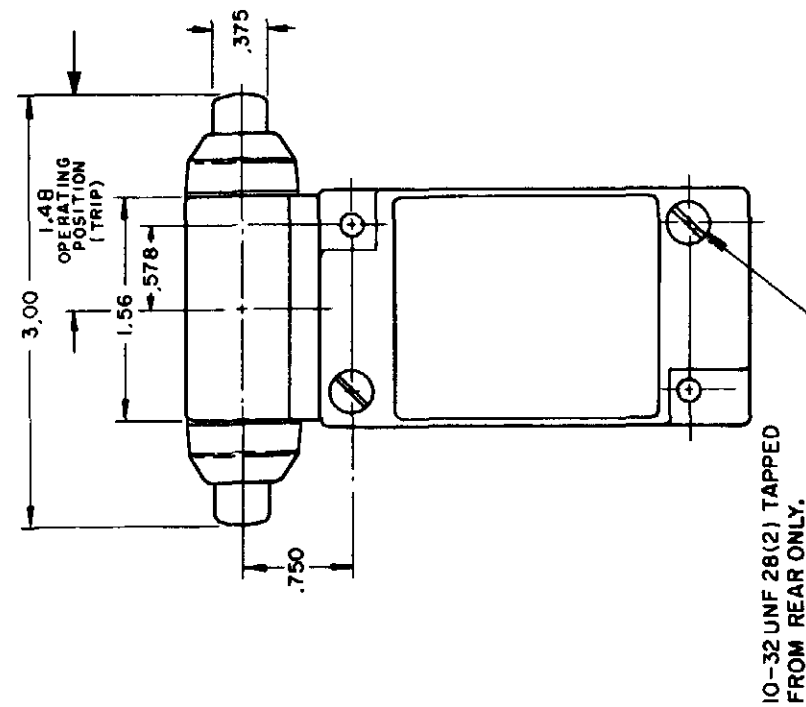
THIS DRAWING COVERS A PROPRIETARY ITEM AND IS THE PROPERTY OF MICRO SWITCH A DIVISION OF HONEYWELL THIS DRAWING IS NOT TO BE COPIED OR USED WITHOUT THE APPROVAL OF MICRO SWITCH

MICRO SWITCH
 a Honeywell Division

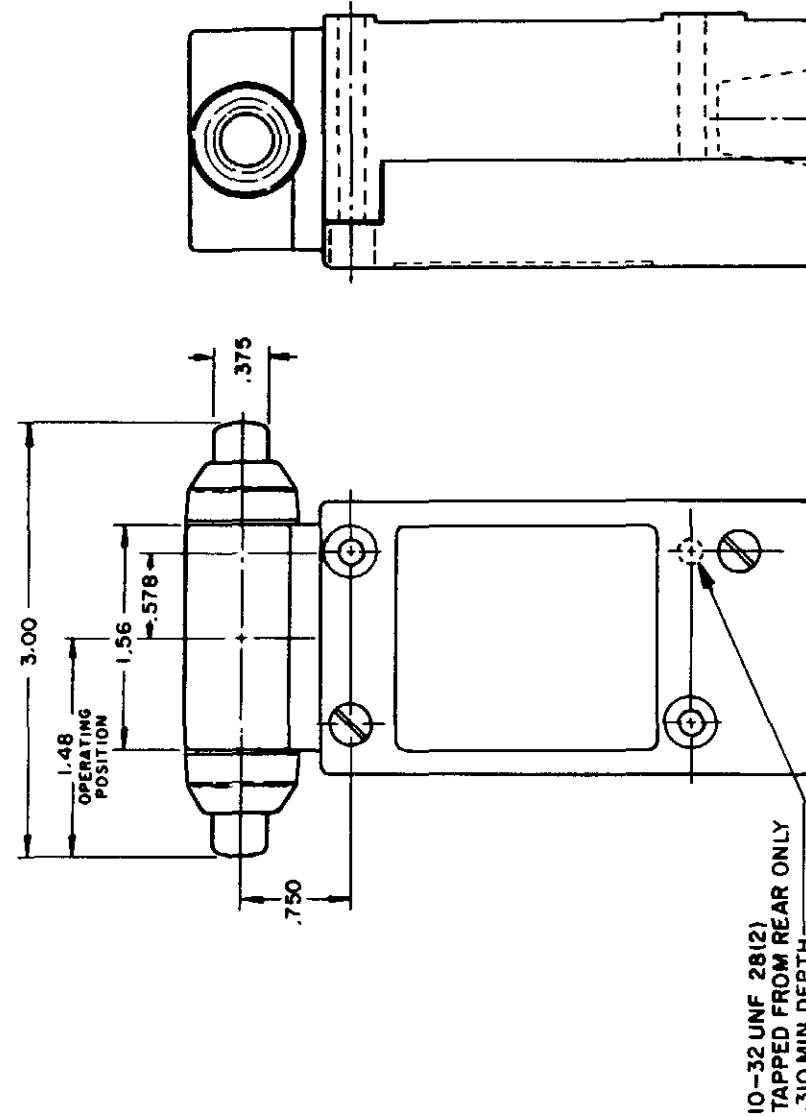
SWITCH - ENCLOSED

CATALOG LISTING
LSA-LSW SERIES
 CHART 1

ISSUE 12 PSR 10JUL07 RELEASE NO CO-78498 REPLACES LSA-LSW SERIES
 CATALOG LISTING
M LSA-LSW SERIES CHART 1
 PAGE 6 OF 10
 REVISIONS
 L 0031956
 10 JUL 07
 B 201004
 C.S.I.
 C 201748
 10 AUG 00
 C.S.I.
 D 202198
 17 NOV 00
 C.S.I.
 E 204871
 23 JAN 01
 C.S.I.
 F 206581
 14 OCT 02
 G 206763
 31 OCT 02
 H 207179
 G.H.
 J 207474
 14 JAN 03
 TSM
 18 FEB 03
 K 0006871
 11AUG04
 15 JUN 94
 check JAF
 11 JUL 94
 check AK
 11AUG04
 check
 11AUG04
 check



TYPE LSG1 and LSG3



TYPE LSG2 and LSG4

INITIAL POSITION (FREE POSITION) } PRETRAVEL
 OPERATING POINT } DIFFERENTIAL TRAVEL
 FULL TRAVEL } OVERTRAVEL

TOP PLUNGER TYPES

OPERATING POINT GIVEN IN RELATION TO TOP MOUNTING HOLE

CHARACTERISTICS	LSC PLUNGER		LSD ROLLER PLUNGER		LSV ADJ PLUNGER		SEQUENCE BASIC	
	PRETRAVEL (MAX)	DIFFERENTIAL TRAVEL (MAX)	SINGLE POLE	DOUBLE POLE	SINGLE POLE	DOUBLE POLE	1ST STEP	2ND STEP
PRETRAVEL (MAX)	.070	.070	.070	.070	.070	.070	.070	.070
DIFFERENTIAL TRAVEL (MAX)	.015	.020	.015	.020	.015	.020	.015	.020
OVERTRAVEL (MIN)	.190	.190	.190	.190	.190	.190	.170	.170
OPERATING FORCE (MAX)	4 LBS	4 LBS	4 LBS	4 LBS	4 LBS	4 LBS	4 LBS	4 LBS
OPERATING POINT	1.805 ± .030	2.200 ± .040	2.085 MIN	2.335 MAX	2.085 MIN	2.335 MAX	1.815 ± .030	2.210 ± .040
FULL OVERTRAVEL FORCE (MAX)	7 LBS	7 LBS	7 LBS	7 LBS	7 LBS	7 LBS	7 LBS	7 LBS

SIDE PLUNGER TYPES

OPERATING POINT GIVEN IN RELATION TO CENTER OF HEAD

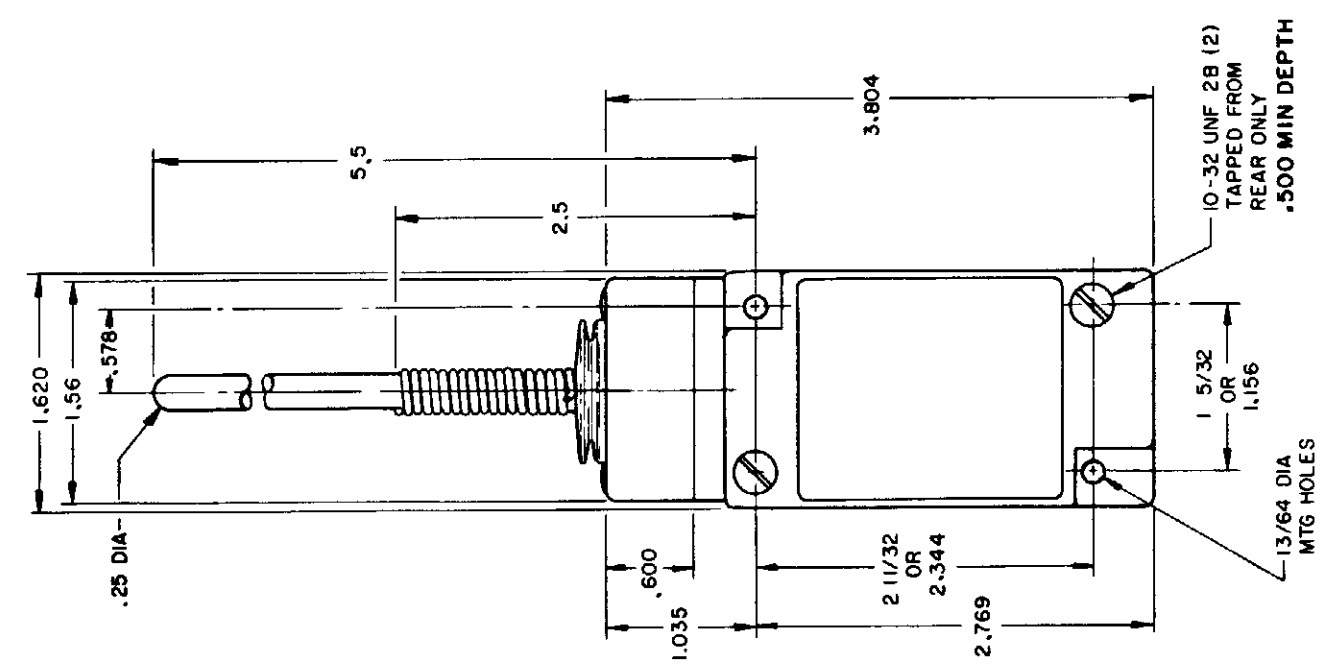
CHARACTERISTICS	LSE PLUNGER		LSF ROLLER PLUNGER		LSW ADJ PLUNGER		SEQUENCE BASIC	
	PRETRAVEL (MAX)	DIFFERENTIAL TRAVEL (MAX)	SINGLE POLE	DOUBLE POLE	SINGLE POLE	DOUBLE POLE	1ST STEP	2ND STEP
PRETRAVEL (MAX)	.100	.100	.100	.100	.170	.170	.100	.100
DIFFERENTIAL TRAVEL (MAX)	.045	.045	.045	.045	.090	.090	.020	.020
OVERTRAVEL (MIN)	.190	.190	.190	.190	.080	.080	.170	.170
OPERATING FORCE (MAX)	6 LBS	6 LBS	6 LBS	6 LBS	10 LBS	10 LBS	6 LBS	6 LBS
OPERATING POINT	1.300 ± .030	1.735 ± .040	ADJUSTABLE FROM 1.615 MIN	1.865 MAX	1.480 ± .030	1.480 ± .030	1.310 ± .030	1.745 ± .040
FULL OVERTRAVEL FORCE (MAX)	6 LBS	6 LBS	6 LBS	6 LBS	10 LBS	10 LBS	6 LBS	6 LBS

MICRO SWITCH a Honeywell Division
 SWITCH - ENCLOSED
 LSA-LSW SERIES CHART 1
 FEDERAL MANUFACTURING CODE 91929
 SCALE NONE
 DO NOT SCALE PRINT
 DIMENSIONS ARE IN INCHES
 TOLERANCES
 ONE PLACE (.0)
 TWO PLACE (.00)
 THREE PLACE (.000)
 ANGLES
 WEIGHT

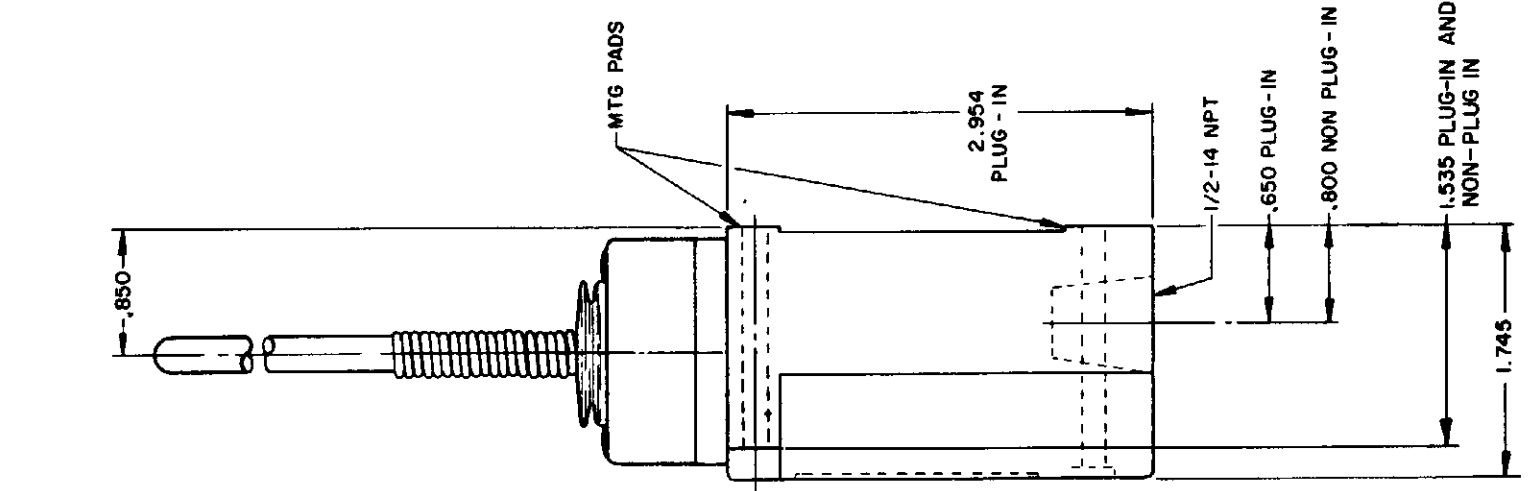
WOBBLE STICK

SINGLE POLE

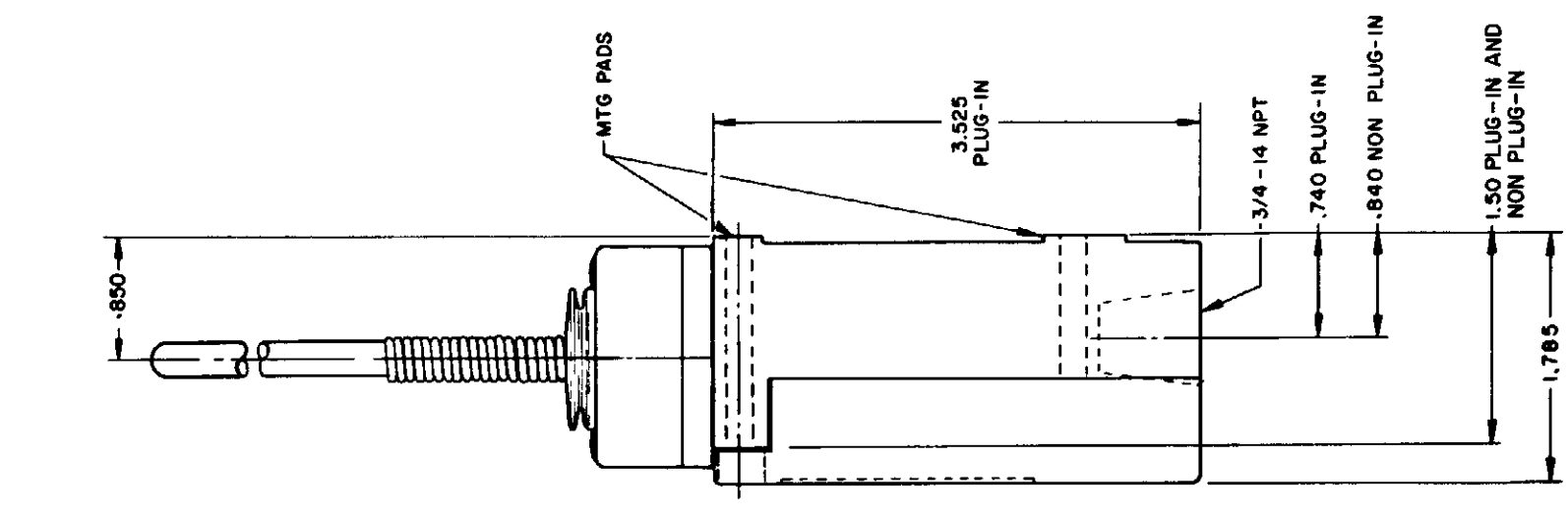
DOUBLE POLE



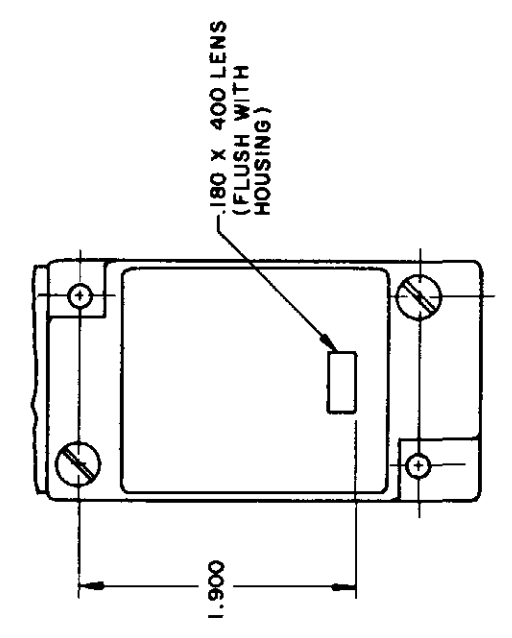
**PLASTIC EXTENSION
TYPE 7A ACTUATOR**
TYPE LSJ1 AND LSJ3



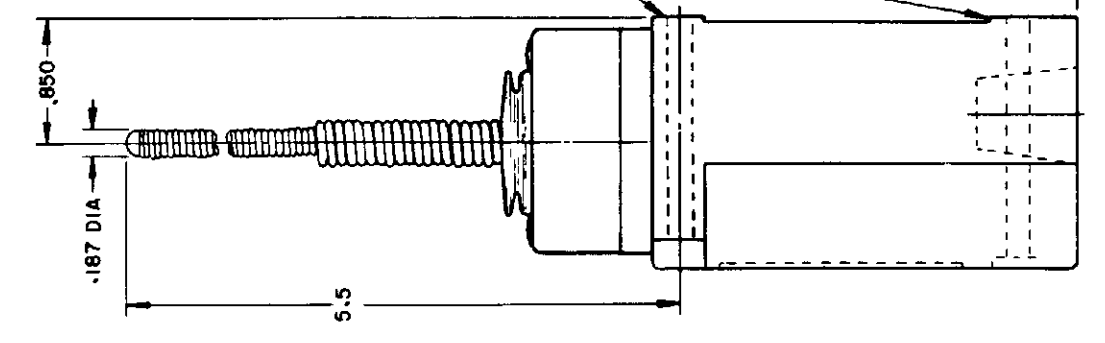
**PLASTIC EXTENSION
TYPE 7A ACTUATOR**
TYPE LSJ2 AND LSJ4
LSJ6 AND LSJ7 HAVE
1/2 - 14 NPT CONDUIT HOLE



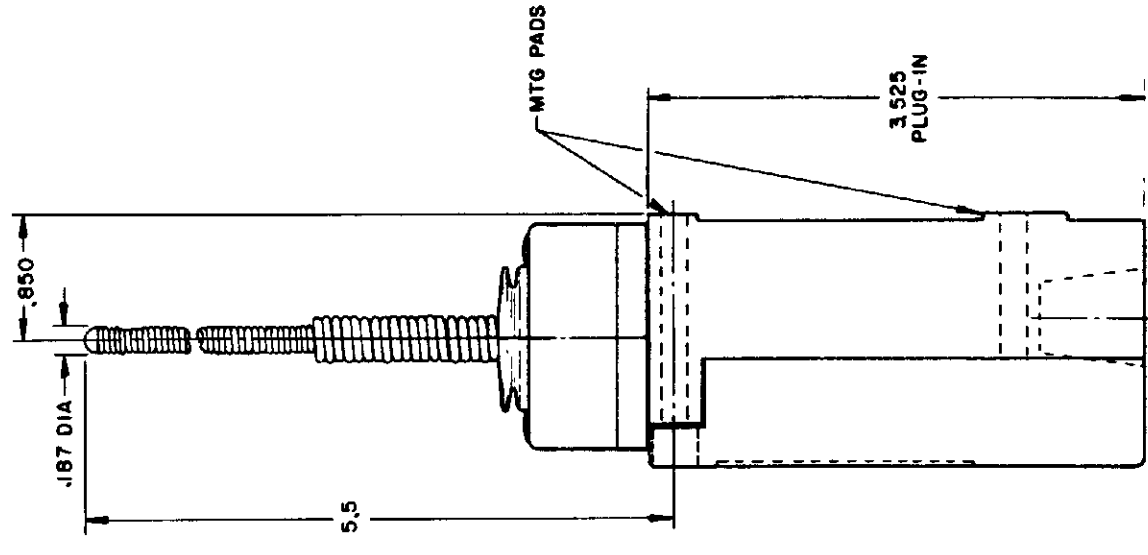
**SINGLE POLE PLUG-IN ONLY
WITH INDICATOR LAMP**



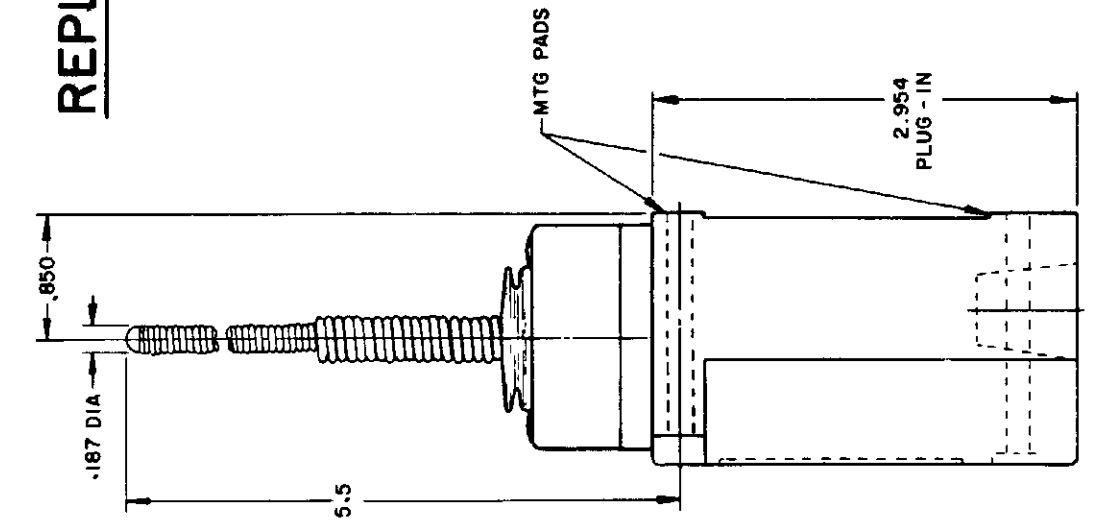
**120 LAMP VOLTAGE TYPE LSJ5
240 LAMP VOLTAGE TYPE LSJ8
24 LED VOLTAGE TYPE LSJ9**



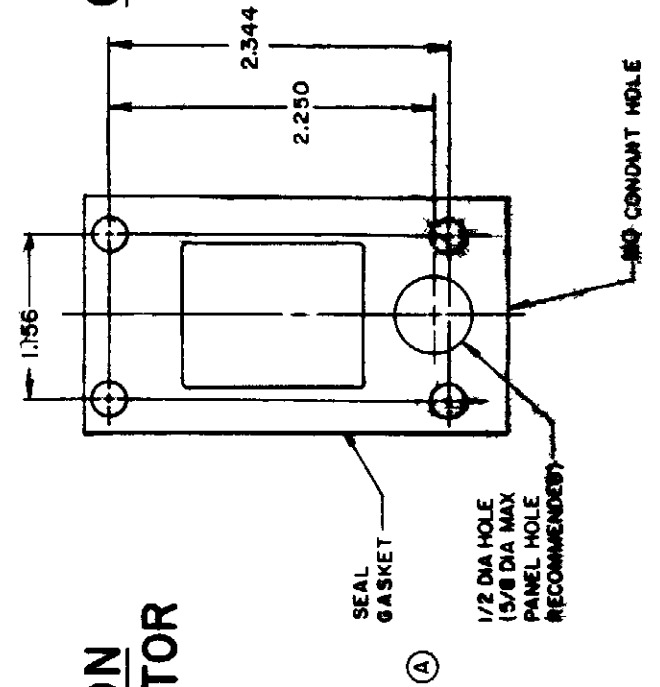
**REPLACEMENT ACTUATOR
LSZ-4009**



**CABLE EXTENSION
TYPE 7N ACTUATOR**



**CABLE EXTENSION
TYPE 7N ACTUATOR**

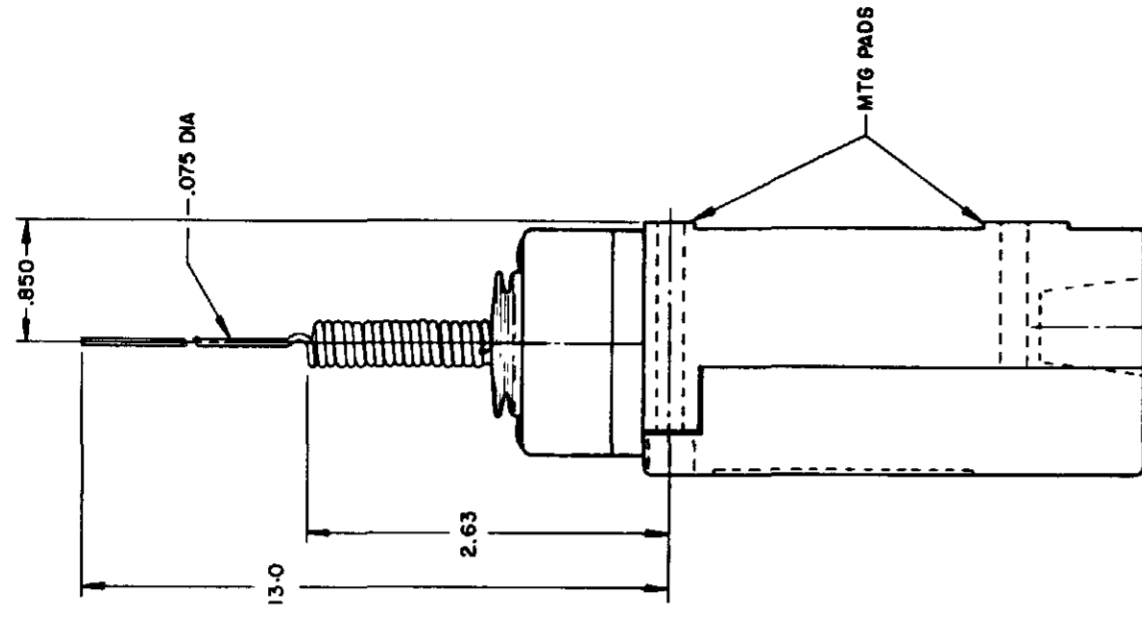


**MANIFOLD MOUNT (PLUG-IN ONLY)
SINGLE POLE AND DOUBLE POLE
TYPE LSA THROUGH LSW SERIES**

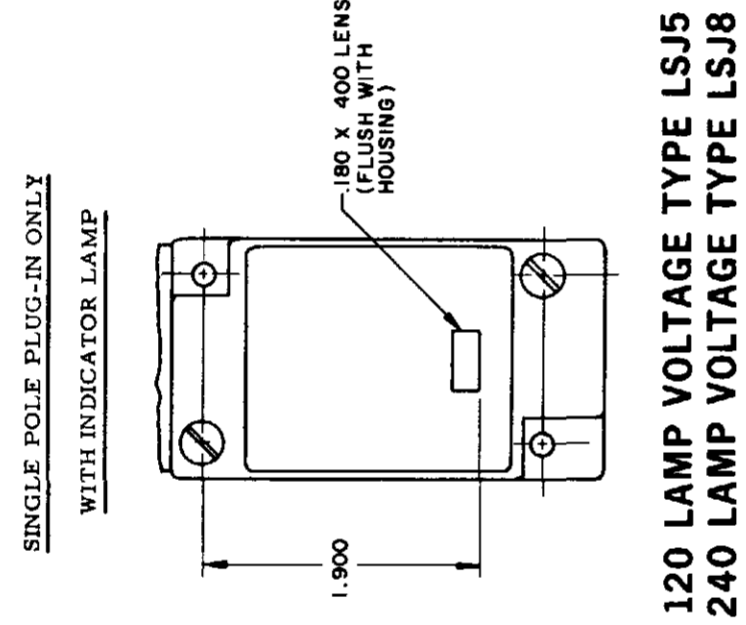
**REPLACEMENT ACTUATOR
LSZ-4011**

CATALOG LISTING
M LSA-LSW SERIES CHART 1
 PAGE 8 OF 10
 ISSUE 12 PSR 10JUL07 RELEASE NO. CO-78498 REPLACES LSA-LSW SERIES

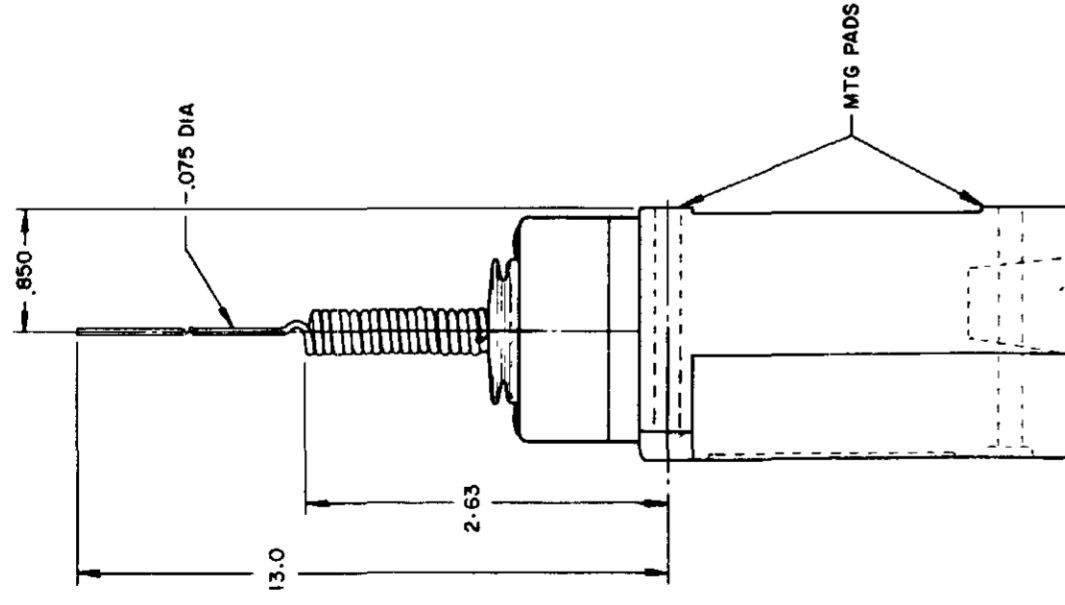
REV	DATE	BY	CHKD	DESCRIPTION
L	00319556			
B	10 JUL 07			
B	201004			
C	10 AUG 00			
C	201748			
D	202198			
E	204871			
F	206581			
G	206763			
H	207179			
J	207474			
K	0006871			



WIRE EXTENSION TYPE 7M ACTUATOR
 TYPE LSJ2 and LSJ4
 LSJ6 and LSJ7 have 1/2 - 14 NPT CONDUIT HOLE



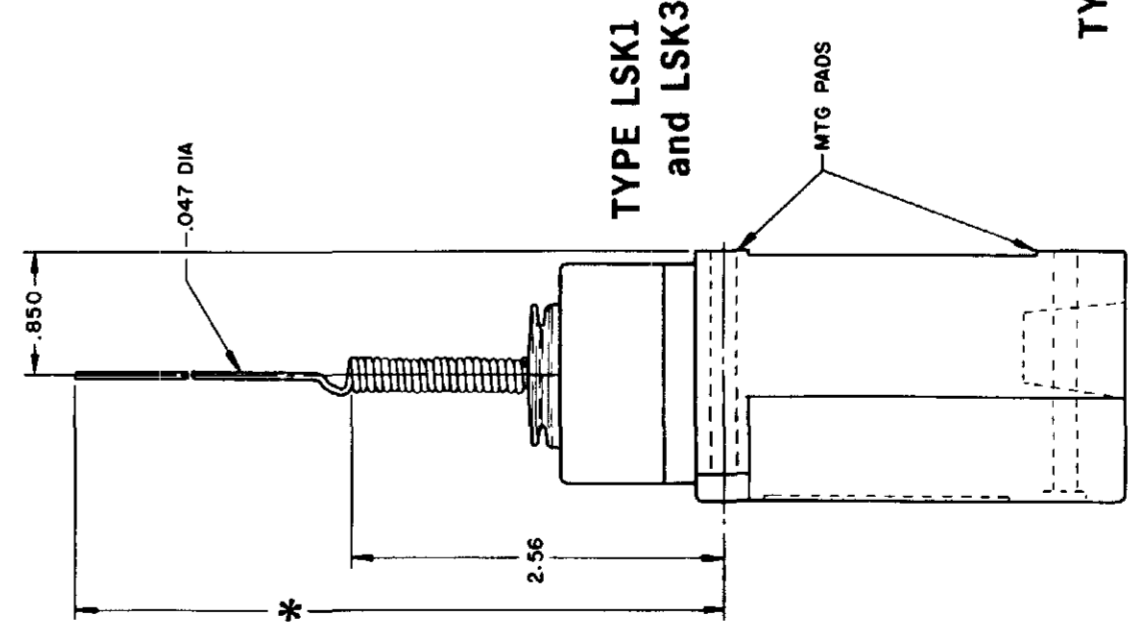
120 LAMP VOLTAGE TYPE LSJ5
 240 LAMP VOLTAGE TYPE LSJ8



WIRE EXTENSION TYPE 7M ACTUATOR
 TYPE LSJ1 and LSJ3
 REPLACEMENT ACTUATOR - LSZ 4010

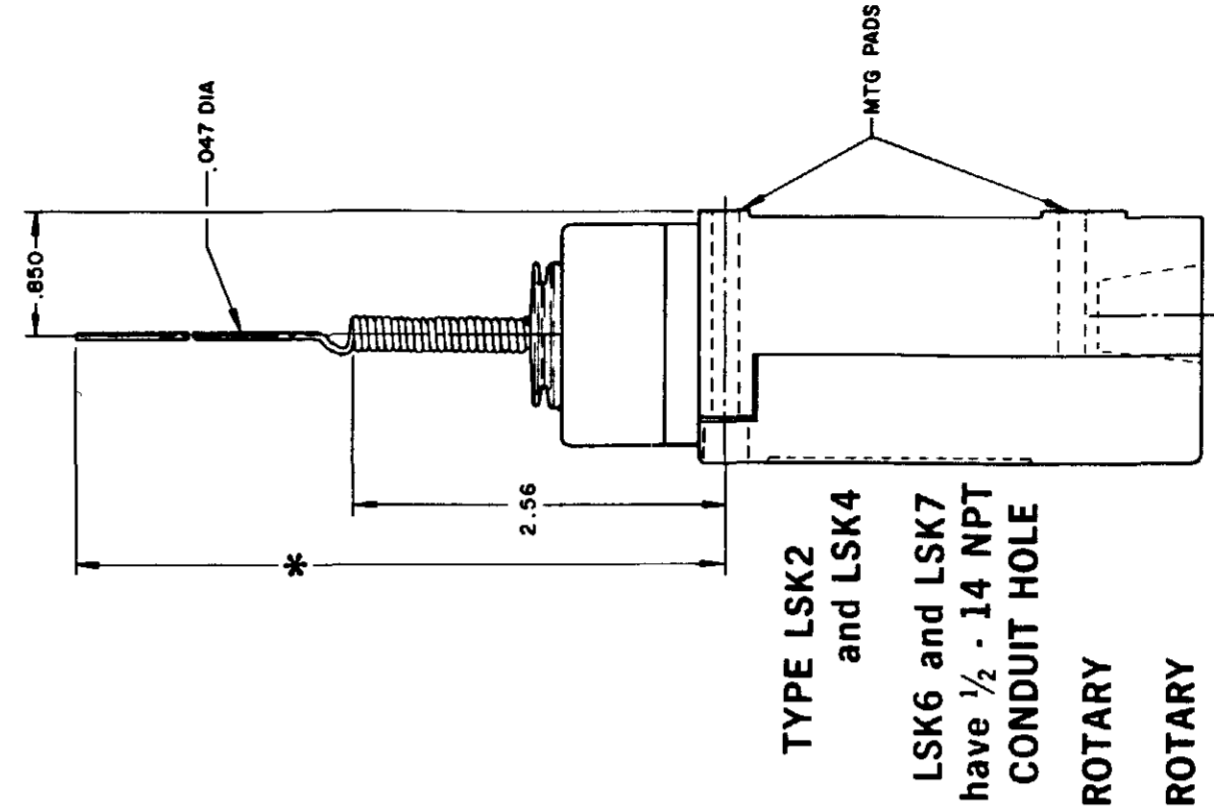
CAT WHISKER

SINGLE POLE

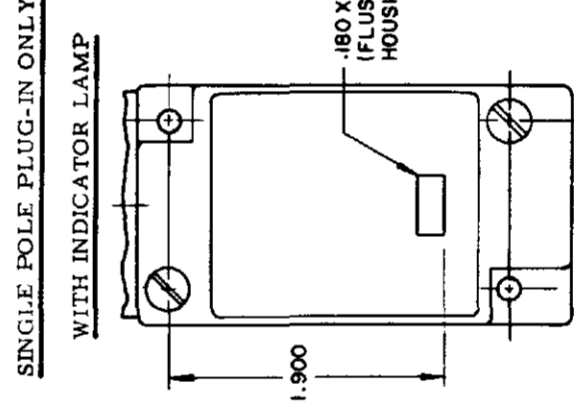


*** WIRE EXTENSION REPLACEMENT ACTUATOR**
 TYPE 8A ACTUATOR 5.5 IN.-LSZ 4012
 TYPE 8B ACTUATOR 7.5 IN.-LSZ 4013
 TYPE 8C COIL ACTUATOR 5.5 IN.-LSZ 4014
 ACTUATOR 9.5 IN. - LSZ 4036

DOUBLE POLE



*** WIRE EXTENSION**
 TYPE 8A ACTUATOR 5.5 IN.
 TYPE 8B ACTUATOR 7.5 IN.
 TYPE 8C ACTUATOR 5.5 IN.
 TYPE 8D ROD ACTUATOR 5.5 IN.



120 LAMP VOLTAGE
 TYPE LSK5 - CAT WHISKER TYPE LSB5 - TOP ROTARY
 240 LAMP VOLTAGE
 TYPE LSK8 - CAT WHISKER TYPE LSB8 - TOP ROTARY

CAT. WHISKER	5/16" WIRE		7/16" WIRE		WOBBLE STICK	
	COIL	ROD	ROD	CABLE	WIRE	WIRE
PRE-TRAVEL (APPROX) IN. RADIUS	2	2	4.5	1.0	1.5	4.0
OPERATING FORCE-OZ (MAX)	7.0	5.0	3.0	10.0	7.0	5.0

THIS DRAWING COVERS A PROPRIETARY ITEM AND IS THE PROPERTY OF MICRO SWITCH A DIVISION OF HONEYWELL THIS DRAWING IS NOT TO BE COPIED OR USED WITHOUT THE APPROVAL OF MICRO SWITCH

MICRO SWITCH
 a Honeywell Division

FED MFG CODE 91929

SWITCH - ENCLOSED

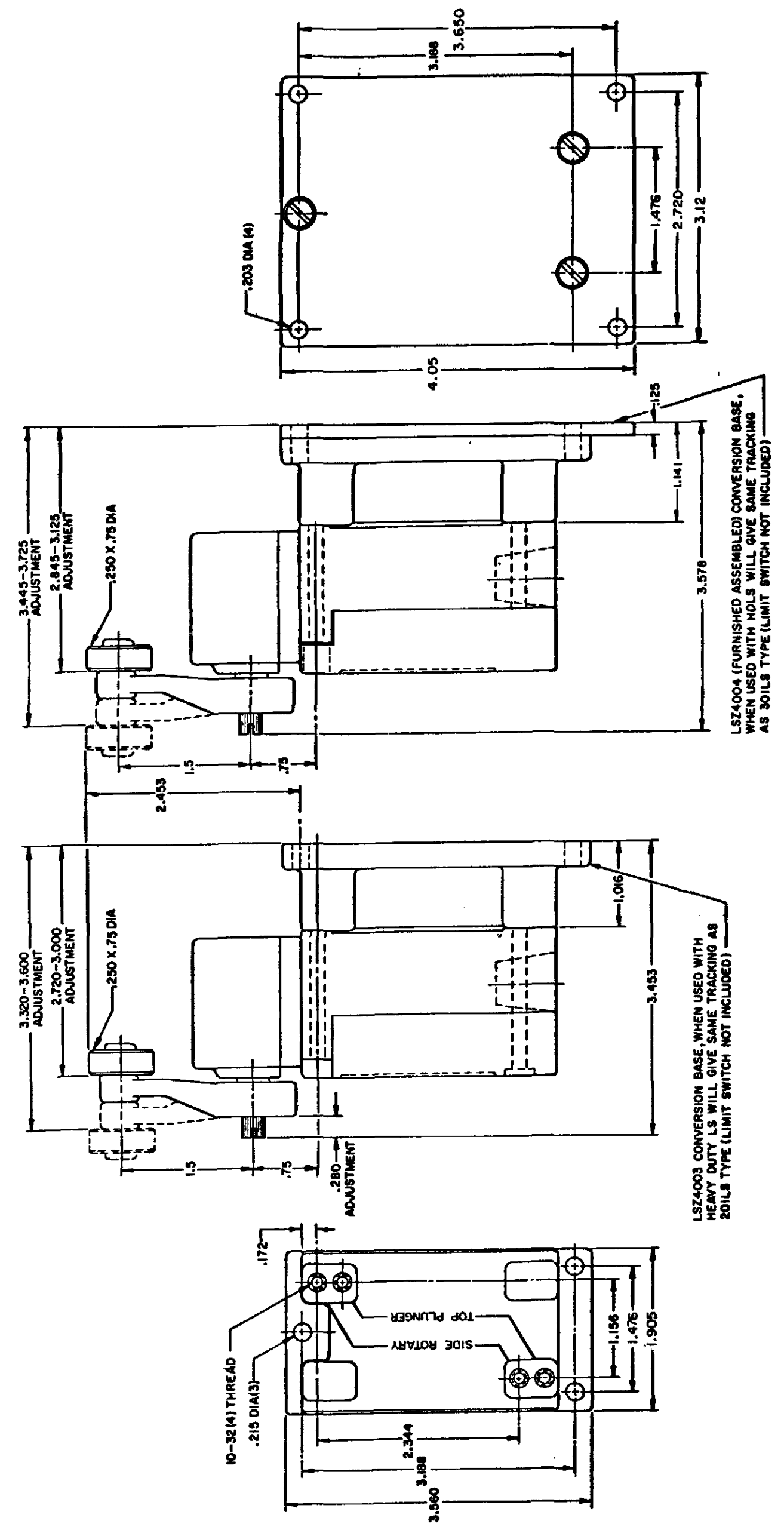
CATALOG LISTING
LSA-LSW SERIES CHART 1

ISSUE	12	PSR	10JUL07	RELEASE NO	CO-78498	REPLACES	LSA-LSW SERIES																																																							
CATALOG LISTING	LSA-LSW SERIES CHART 1																																																													
PAGE	9 OF 10																																																													
REVISIONS	<table border="1"> <tr> <th>REV</th> <th>DATE</th> <th>BY</th> <th>CHKD</th> <th>DESCRIPTION</th> </tr> <tr> <td>L</td> <td>0031956</td> <td>BS</td> <td>10JUL07</td> <td></td> </tr> <tr> <td>B</td> <td>201004</td> <td>BS</td> <td>10AUG00</td> <td></td> </tr> <tr> <td>C</td> <td>201748</td> <td>BS</td> <td>17NOV00</td> <td></td> </tr> <tr> <td>D</td> <td>202198</td> <td>BS</td> <td>23JAN01</td> <td></td> </tr> <tr> <td>E</td> <td>204871</td> <td>BS</td> <td>14OCT02</td> <td></td> </tr> <tr> <td>F</td> <td>206581</td> <td>BS</td> <td>206763</td> <td></td> </tr> <tr> <td>G</td> <td>206763</td> <td>BS</td> <td>31OCT02</td> <td></td> </tr> <tr> <td>H</td> <td>207179</td> <td>BS</td> <td>14JAN03</td> <td></td> </tr> <tr> <td>J</td> <td>207474</td> <td>BS</td> <td>18FEB03</td> <td></td> </tr> <tr> <td>K</td> <td>0006871</td> <td>BS</td> <td>11AUG04</td> <td></td> </tr> </table>							REV	DATE	BY	CHKD	DESCRIPTION	L	0031956	BS	10JUL07		B	201004	BS	10AUG00		C	201748	BS	17NOV00		D	202198	BS	23JAN01		E	204871	BS	14OCT02		F	206581	BS	206763		G	206763	BS	31OCT02		H	207179	BS	14JAN03		J	207474	BS	18FEB03		K	0006871	BS	11AUG04	
REV	DATE	BY	CHKD	DESCRIPTION																																																										
L	0031956	BS	10JUL07																																																											
B	201004	BS	10AUG00																																																											
C	201748	BS	17NOV00																																																											
D	202198	BS	23JAN01																																																											
E	204871	BS	14OCT02																																																											
F	206581	BS	206763																																																											
G	206763	BS	31OCT02																																																											
H	207179	BS	14JAN03																																																											
J	207474	BS	18FEB03																																																											
K	0006871	BS	11AUG04																																																											
DATE	15 JUN 94	CHKD	JAF	DATE	15 JUL 94	CHKD	AK																																																							
DRAWN	MAM																																																													

CONVERSION BASES

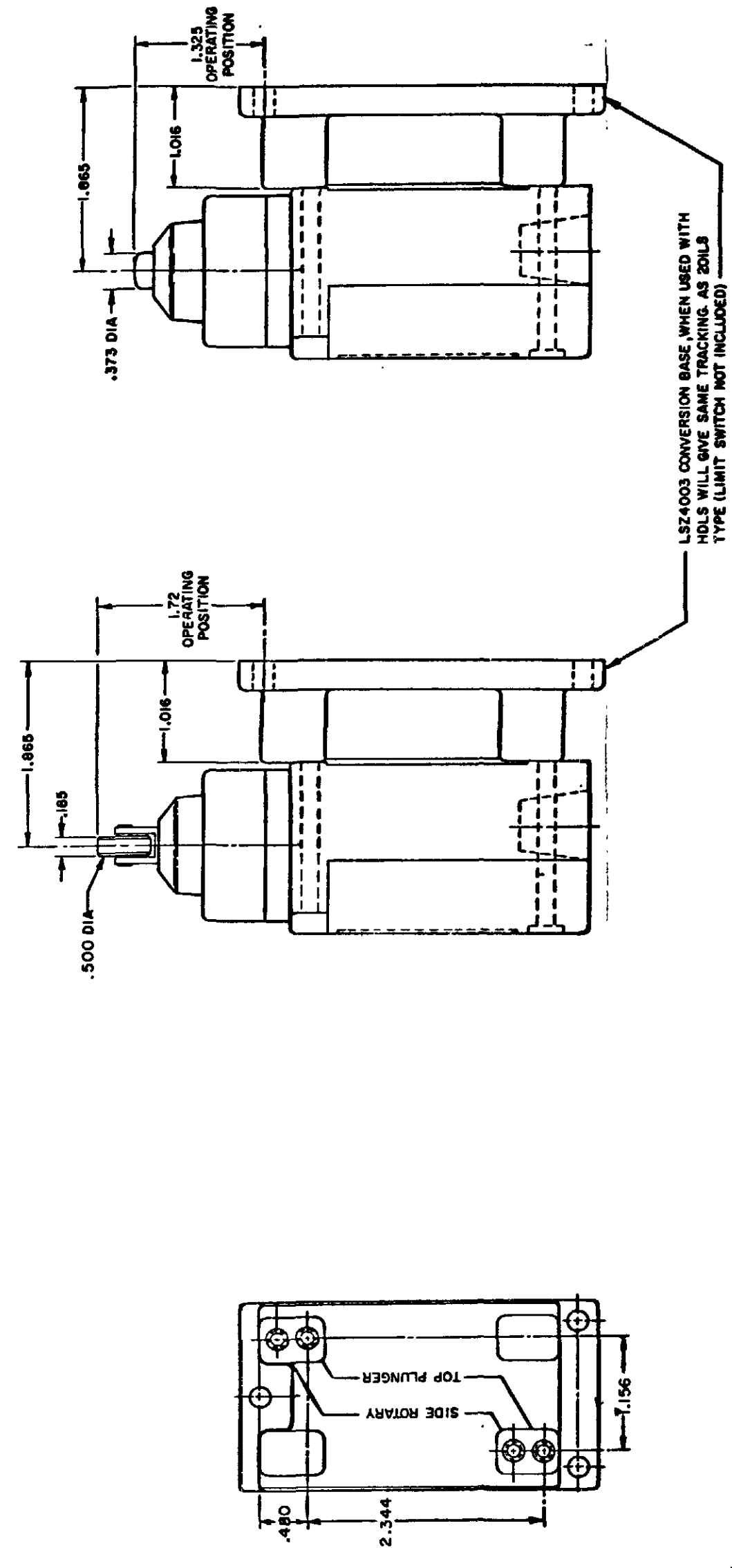
**SINGLE POLE
(SIDE ROTARY)
LSZ 4003**

**DOUBLE POLE
(SIDE ROTARY)
LSZ 4004**



NOTE
SEE OTHER PAGES OF LSA-LSW
(M) DRAWING FOR DIMENSION OF LIMITS

SINGLE POLE TOP PLUNGER LSZ 4003



NOTE
SEE OTHER PAGES OF LSA-LSW
(M) DRAWING FOR DIMENSION OF
LIMIT SWITCH

THIS DRAWING COVERS A PROPRIETARY ITEM AND IS THE PROPERTY OF MICRO SWITCH, A DIVISION OF HONEYWELL. THIS DRAWING IS NOT TO BE COPIED OR USED WITHOUT THE APPROVAL OF MICRO SWITCH.

MICRO SWITCH
a Honeywell Division

SWITCH - ENCLOSED

CATALOG LISTING
LSA-LSW SERIES
CHART 1

SCALE FULL
DO NOT SCALE PRINT

PAGE 9 OF 10

HEAD TYPE	CELLULOSE	DETERGENT	5 STAR	ASTM #1	ASTM #2	ASTM #3	ASTM #4	HOUGHTON SAFE 271	HOUGHTON SAFE 820	HOUGHTON SAFE 1010, 1055	MINERAL OIL	PETR. OIL CRUDE	SILICON GR & OIL	SUNSAFE	BEER	STODDARD SOLV.	CHLORINATED SOLVENTS	CITRIC ACID	D-ESTER SYN. LUBRICANTS	OZONE	HYDRAUL	PROGUARD	PETRO. BASE HYDRAULIC OIL	LARD OIL	SILICATE ESTERS
LSA	4	1	1	1	1	2	1	4	1	1	1	1	1	1	4	1	2	4	4	4	4	1	1	2	
LSB	4	1	1	1	1	2	1	4	1	1	1	1	1	1	4	1	2	4	4	4	4	1	1	2	
LSC	4	2	2	1	2	4	4	2	4	2	2	1	2	1	2	4	1	4	3	4	4	2	2	2	
LSD	4	2	2	1	2	4	4	2	4	2	2	1	2	1	2	4	1	4	3	4	4	2	2	2	
LSE	4	2	2	1	2	4	4	2	4	2	2	1	2	1	2	4	1	4	3	4	4	2	2	2	
LSF	4	2	2	1	2	4	4	2	4	2	2	1	2	1	2	4	1	4	2	4	4	2	2	2	
LSG	4	2	2	1	2	4	4	2	4	2	2	1	2	1	2	4	1	4	3	4	4	2	2	2	
LSH	4	1	1	1	1	2	1	4	1	1	1	1	1	1	4	1	2	4	4	4	4	1	1	2	
LSJ	4	2	2	1	2	4	4	2	4	2	2	1	2	1	2	4	1	4	3	4	4	2	2	2	
LSK	4	2	2	1	2	4	4	2	4	2	2	1	2	1	2	4	1	4	3	4	4	2	2	2	
LSL	4	1	1	1	1	2	1	4	1	1	1	1	1	1	4	1	2	4	4	4	4	1	1	2	
LSM	4	1	1	1	1	2	1	4	1	1	1	1	1	1	4	1	2	4	4	4	4	1	1	2	
LSN	4	1	1	1	1	2	1	4	1	1	1	1	1	1	4	1	2	4	4	4	4	1	1	2	
LSP	4	1	1	1	1	2	1	4	1	1	1	1	1	1	4	1	2	4	4	4	4	1	1	2	
LSR	4	1	1	1	1	2	1	4	1	1	1	1	1	1	4	1	2	4	4	4	4	1	1	2	
LSV	4	2	2	1	2	4	4	2	4	2	2	1	2	1	2	4	1	4	3	4	4	2	2	2	
LSW	4	2	2	1	2	4	4	2	4	2	2	1	2	1	2	4	1	4	2	4	4	2	2	2	
LST	UNSEALED DEVICE, INTENDED TO MEET NEMA 1 ONLY																								
LSS	UNSEALED DEVICE, INTENDED TO MEET NEMA 1 ONLY																								

CODE: 1 SATISFACTORY 2 FAIR 3 DOUBTFUL 4 UNSATISFACTORY

TYPES	LOW LIMIT	HIGH LIMIT
LSA	+10°F	+250°F
LSB	+30°F	+250°F
LSC	+10°F	+200°F
LSD	+10°F	+200°F
LSE	+10°F	+200°F
LSF	+10°F	+200°F
LSG	+30°F	+200°F
LSH	+30°F	+250°F
LSJ	+10°F	+200°F
LSK	+10°F	+200°F
LSL	+10°F	+250°F
LSM	+30°F	+250°F
LSN	+30°F	+250°F
LSP	+10°F	+250°F
LSR	+30°F	+250°F
LSV	+10°F	+200°F
LSW	+10°F	+200°F
LST	+30 F	+170°F
LSS	+30°F	+170°F

CATALOG LISTING
M LSA-LSW SERIES CHART 1
 PAGE 10 OF 10
 ISSUE 12
 PSR 10JUL07
 CHECK 11AUG04
 REVISIONS:
 L 0031956 BS 10JUL07
 B 201004 CS 10 AUG 00
 C 201748 CS 17 NOV 00
 D 202198 CS 23 JAN 01
 E 204871 G J W FEB 02
 F 206581 GLH 14 OCT 02
 G 206783 CS 31 OCT 02
 H 207179 GLH 14 JAN 03
 J 207474 TSM 18 FEB 03
 K 0006871 KR 11AUG04
 DRAWN MAM 15 JUN 94
 CHECK JAF 11 JUL 94
 RASTER

THIS DRAWING COVERS A PROPRIETARY ITEM AND IS THE PROPERTY OF MICRO SWITCH A DIVISION OF HONEYWELL THIS DRAWING IS NOT TO BE COPIED OR USED WITHOUT THE APPROVAL OF MICRO SWITCH

MICRO SWITCH
a Honeywell Division

SWITCH - ENCLOSED

LSA-LSW SERIES
CHART 1

FED. MFG. CODE 91929



Компания «ЭлектроПласт» предлагает заключение долгосрочных отношений при поставках импортных электронных компонентов на взаимовыгодных условиях!

Наши преимущества:

- Оперативные поставки широкого спектра электронных компонентов отечественного и импортного производства напрямую от производителей и с крупнейших мировых складов;
- Поставка более 17-ти миллионов наименований электронных компонентов;
- Поставка сложных, дефицитных, либо снятых с производства позиций;
- Оперативные сроки поставки под заказ (от 5 рабочих дней);
- Экспресс доставка в любую точку России;
- Техническая поддержка проекта, помощь в подборе аналогов, поставка прототипов;
- Система менеджмента качества сертифицирована по Международному стандарту ISO 9001;
- Лицензия ФСБ на осуществление работ с использованием сведений, составляющих государственную тайну;
- Поставка специализированных компонентов (Xilinx, Altera, Analog Devices, Intersil, Interpoint, Microsemi, Aeroflex, Peregrine, Syfer, Eurofarad, Texas Instrument, Miteq, Cobham, E2V, MA-COM, Hittite, Mini-Circuits, General Dynamics и др.);

Помимо этого, одним из направлений компании «ЭлектроПласт» является направление «Источники питания». Мы предлагаем Вам помощь Конструкторского отдела:

- Подбор оптимального решения, техническое обоснование при выборе компонента;
- Подбор аналогов;
- Консультации по применению компонента;
- Поставка образцов и прототипов;
- Техническая поддержка проекта;
- Защита от снятия компонента с производства.



Как с нами связаться

Телефон: 8 (812) 309 58 32 (многоканальный)

Факс: 8 (812) 320-02-42

Электронная почта: org@eplast1.ru

Адрес: 198099, г. Санкт-Петербург, ул. Калинина, дом 2, корпус 4, литера А.