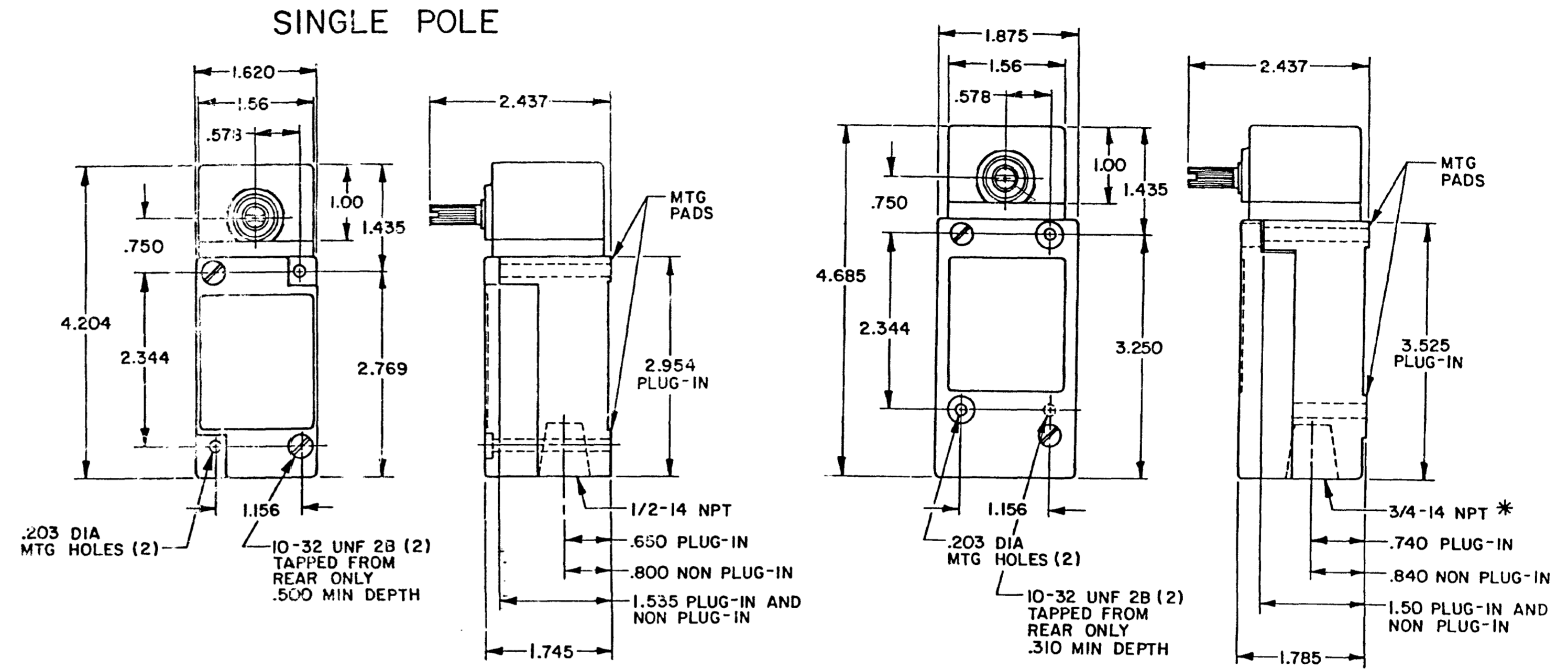


OPERATING CHARACTERISTICS	LSA		LSR		LSN	LSP		LSH	
	MOMENTARY		MOMENTARY LOW TORQUE		MAINTAINED	MOMENTARY LOW PRETRAVEL AND DIFF. TRAVEL		MOMENTARY LOW PRETRAVEL AND LOW TORQUE	
PRETRAVEL(MAX)	15°		15°		15°	9°		9°	
OVERTRAVEL(MIN)	60°		60°		20°	66°		66°	
DIFFERENTIAL TRAVEL(MAX)	SINGLE POLE	DOUBLE POLE	SINGLE POLE	DOUBLE POLE	40°	SINGLE POLE	DOUBLE POLE	SINGLE POLE	DOUBLE POLE
	5°	7°	5°	7°		3°	4°	3°	4°
TOTAL TRAVEL (REF)	75°		75°		90°	75°		75°	
OPERATING TORQUE(MAX)	4 IN. LBS		1.7 IN. LBS		4 IN. LBS	4 IN. LBS		1.7 IN. LBS	
FULL TRAVEL TORQUE(MAX)	4 IN. LBS		1.7 IN. LBS			4 IN. LBS		1.7 IN. LBS	
OPERATING CHARACTERISTICS	LSU		LSL	LSM	LST	LSS			
	LOW PRETRAVEL		SEQUENCE DOUBLE POLE ONLY	CENTER NEUTRAL DOUBLE POLE ONLY	MOMENTARY	GRAVITY RETURN			
PRETRAVEL(MAX)	5°		1ST STEP 15° 2ND STEP 10° ADD'L	18°	15°	NOT APPLICABLE			
OVERTRAVEL(MIN)	70°		48°	57°	60°	NOT APPLICABLE			
DIFFERENTIAL TRAVEL(MAX)	SINGLE POLE	DOUBLE POLE	5°	10°	5°	12°			
	5°	4°							
TOTAL TRAVEL (REF)	75°		75°	75°	75°	360°			
OPERATING TORQUE(MAX)	4 IN. LBS		4 IN. LBS	4 IN. LBS	12 IN-OZ	5 IN-OZ			
FULL TRAVEL TORQUE(MAX)	4 IN. LBS		4 IN. LBS	4 IN. LBS	12 IN-OZ	5 IN-OZ			

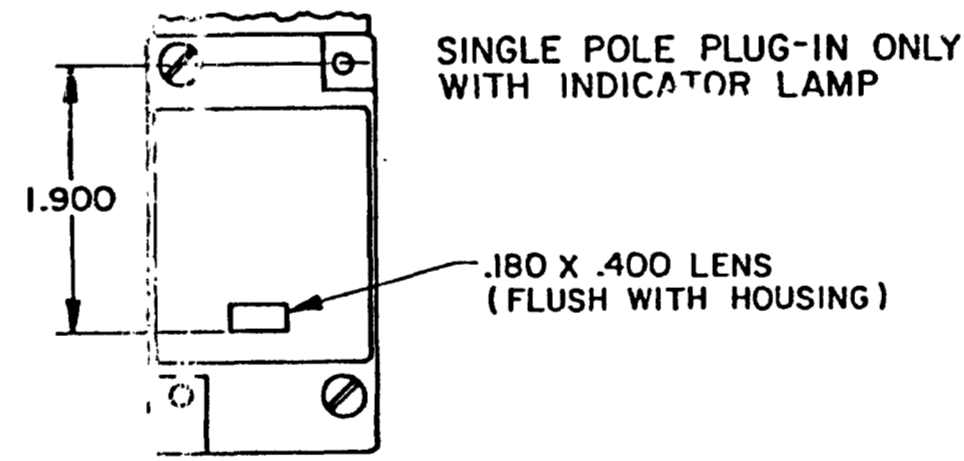
**SIDE ROTARY**



TYPE: LSA1, LSH1, LSN1, LSP1, LSR1  
LSA3, LSH3, LSN3, LSP3, LSR3  
LSS1, LST1

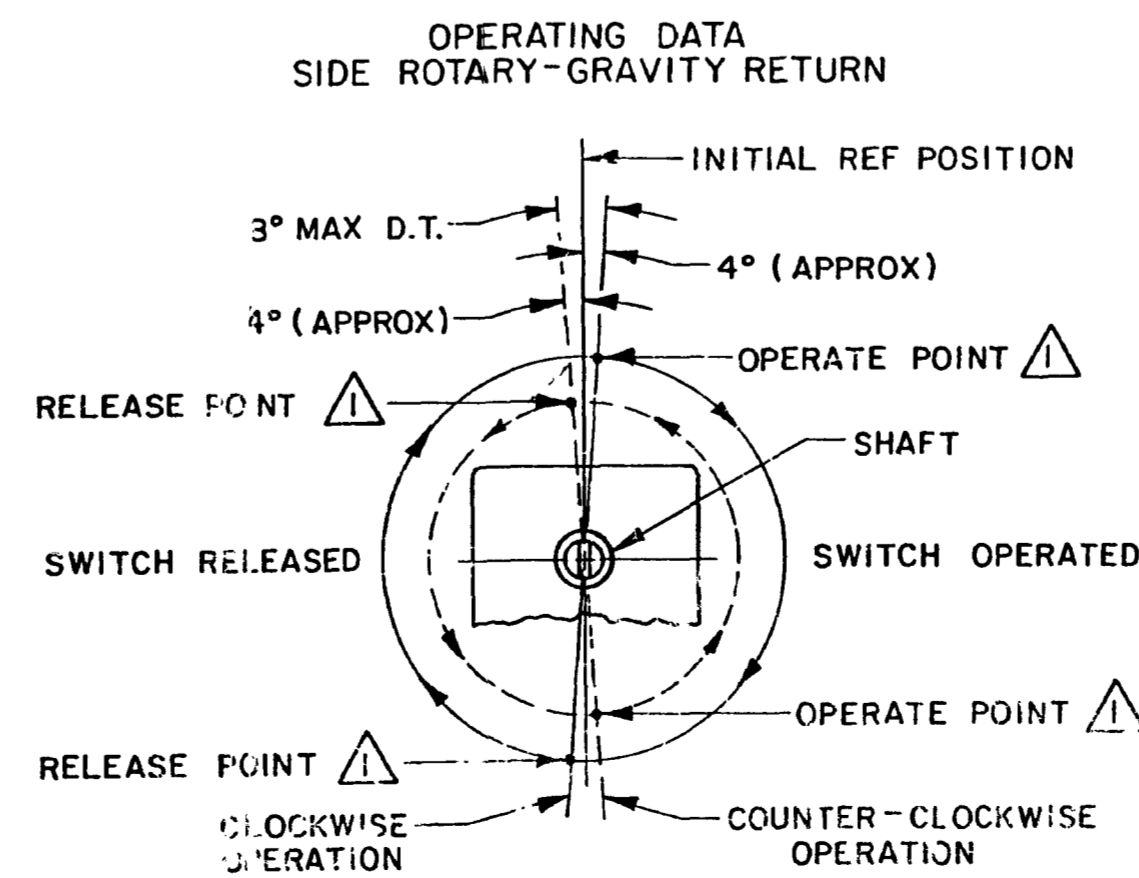
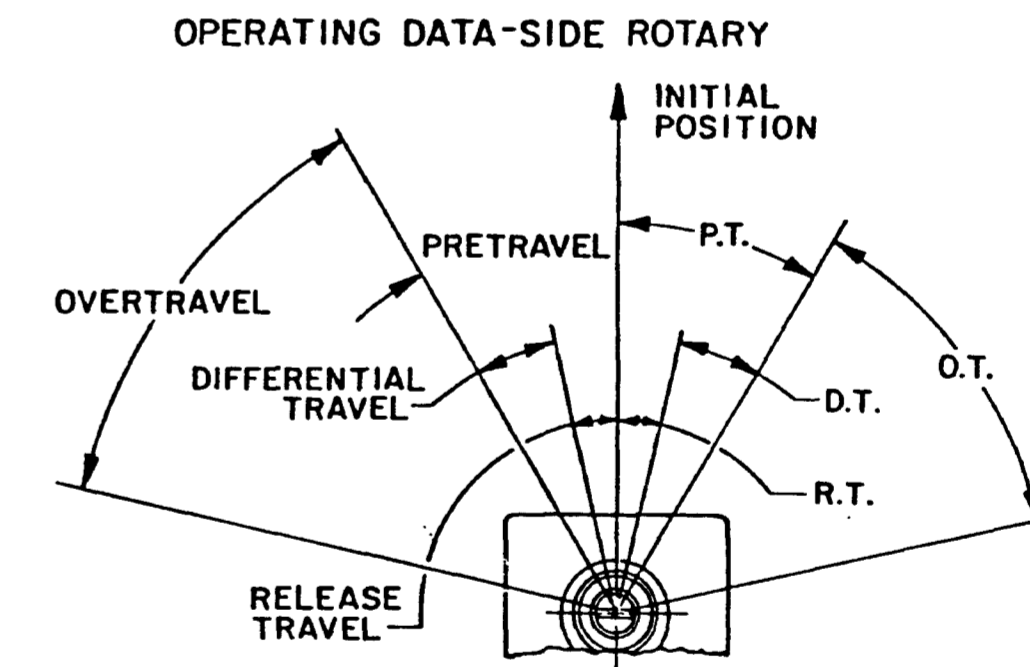
TYPE: LSA2, LSH2, LSM2, LSN2, LSP2, LSR2  
LSA4, LSH4, LSM4, LSN4, LSP4, LSR4

\*LSA6, LSH6, LSM6, LSN6, LSP6, LSR6  
LSA7, LSH7, LSM7, LSN7, LSP7, LSR7 HAVE  
1/2-14 NPT CONDUIT HOLE



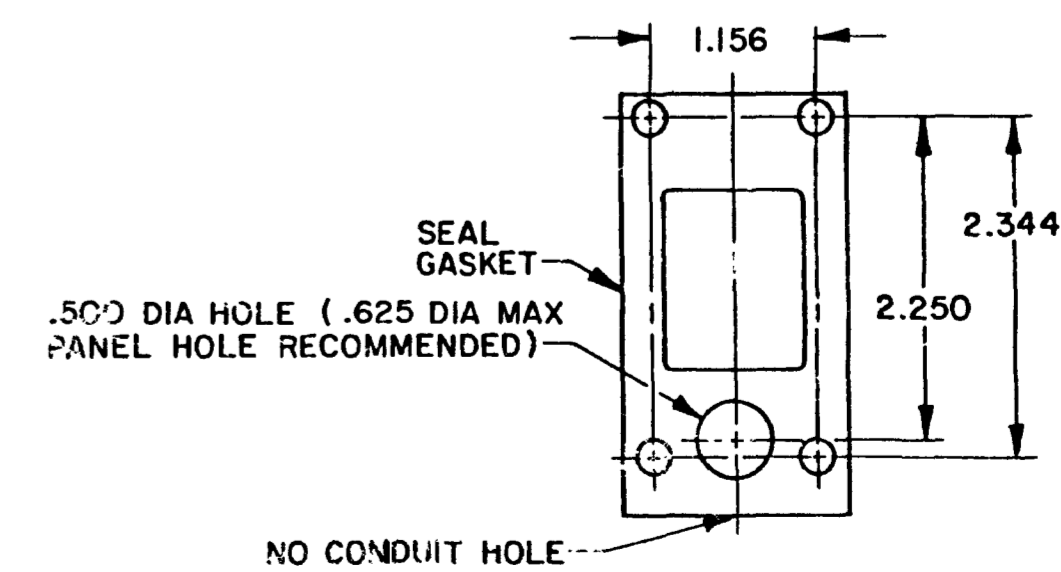
120 LAMP VOLTAGE -  
TYPE LSA5, LSH5, LSN5, LSP5, LSR5

240 LAMP VOLTAGE -  
TYPE LSA8, LSH8, LSN8, LSP8, LSR8



NOTE  
△ OPERATE AND RELEASE POINTS WILL EXCHANGE LOCATIONS IF SHAFT IS ROTATED 180°

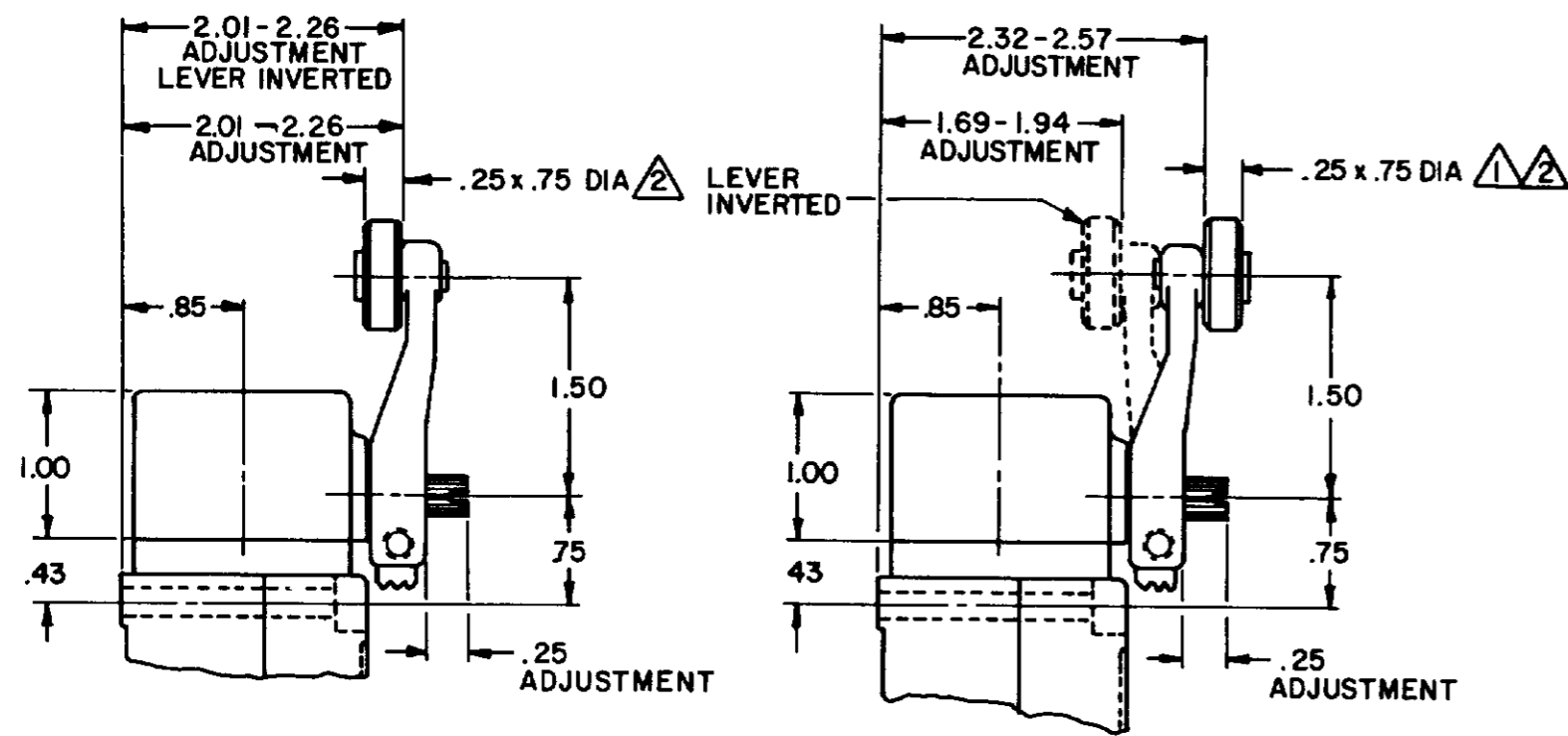
MANIFOLD MOUNT (PLUG-IN ONLY)  
SINGLE POLE AND DOUBLE POLE  
TYPE LSA THROUGH LSW SERIES



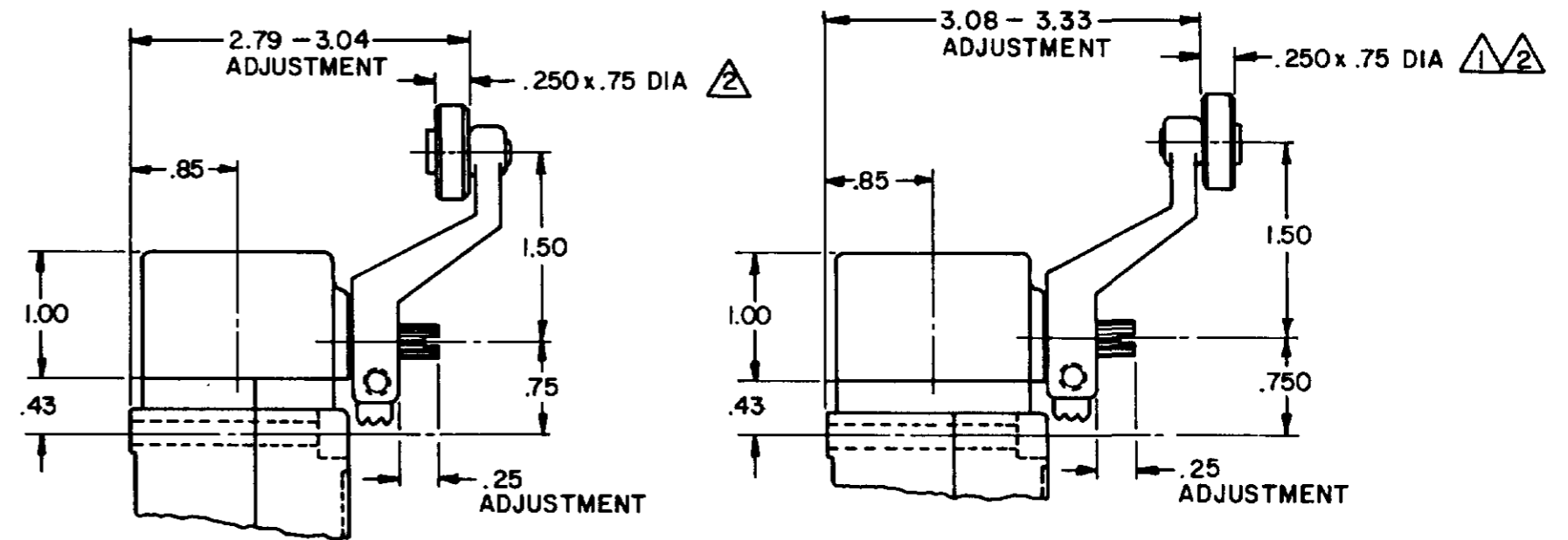
THIRD ANGLE PROJECTION
SCALE NONE
DO NOT SCALE PRINT
UNLESS OTHERWISE SPECIFIED TOLERANCES ARE
ONE PLACE (.0) ±.030
TWO PLACES (.00) ±.015
THREE PLACES (.000) ±.005
ANGLES ±
WEIGHT

CATALOG LISTING LSA-LSW SERIES CHART 1  
 ISSUE 12  
 DRAWN BY MAM  
 CHECKED BY JAF  
 DATE 11 JUN 94  
 REVISIONS:  
 L 0031958  
 B 201004  
 C 201748  
 D 202198  
 E 204871  
 F 206851  
 G 206763  
 H 207179  
 J 207474  
 K 0006874  
 11A0391

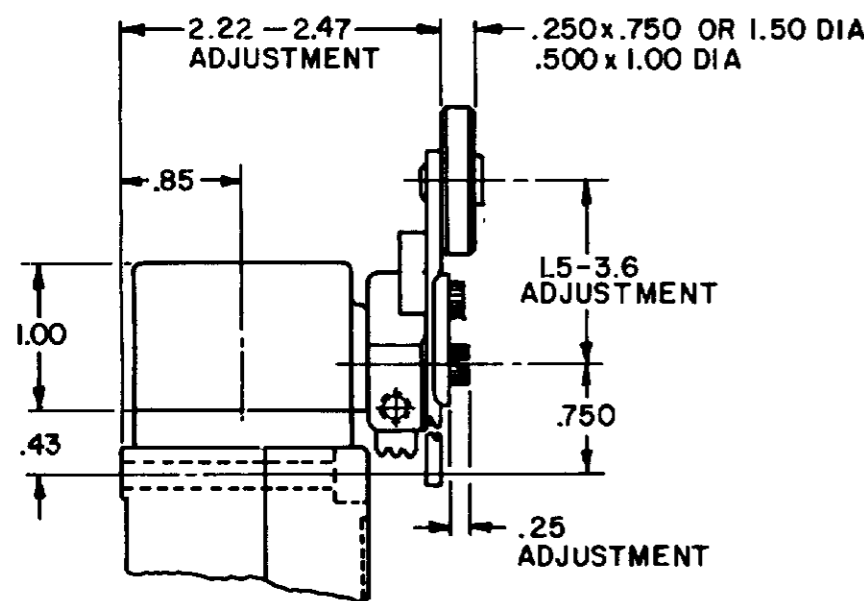
SIDE ROTARY CAM TRACKING



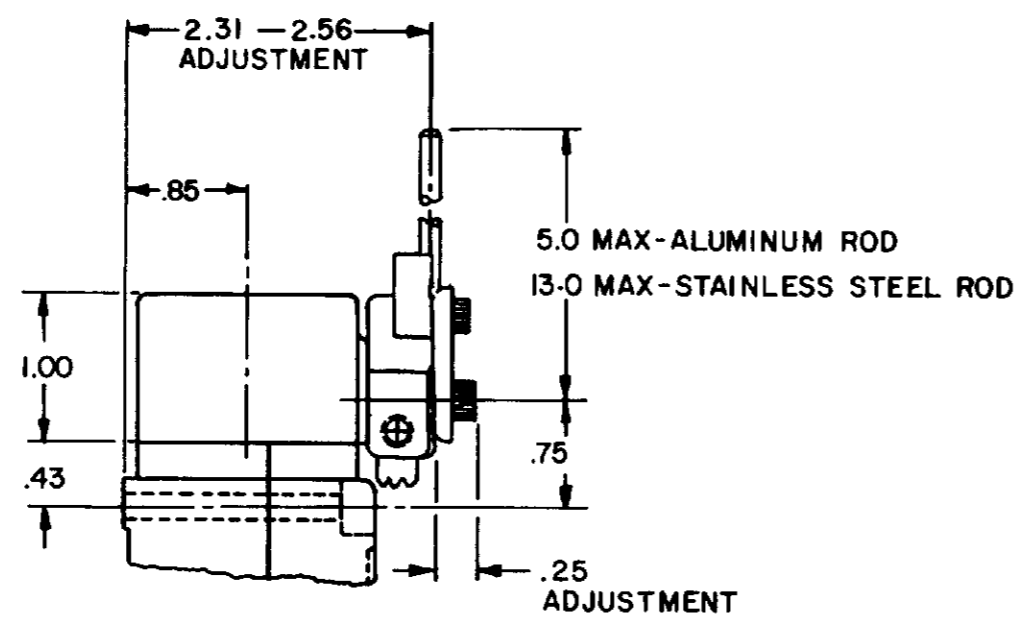
LSZ51 TYPE LEVERS



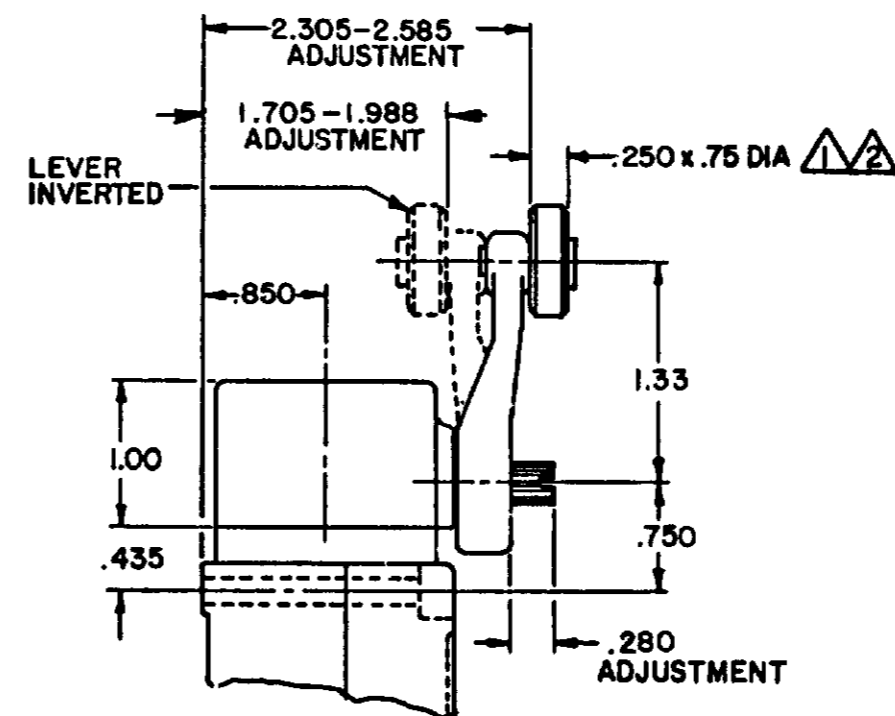
LSZ55 TYPE LEVERS



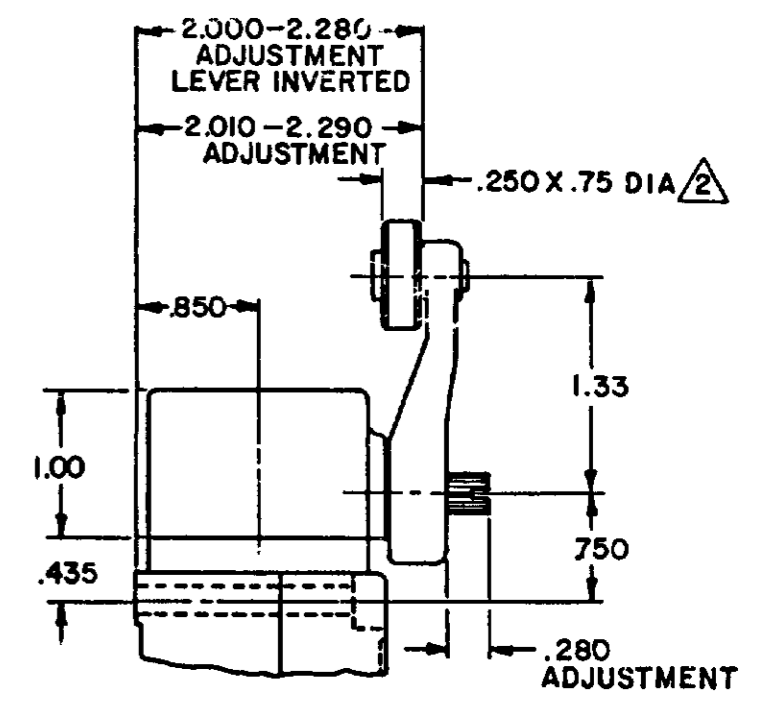
LSZ52 TYPE LEVER



LSZ54 TYPE LEVER



OPEN MOUNTED ROLLER



CLOSED MOUNTED ROLLER

LSZ59 TYPE LEVERS

NOTES

- 1 ALSO AVAILABLE IN Ø.250 X 1.500 NYLON, BUT LEVER CANNOT BE INVERTED
- 2 FOR ADDITIONAL ROLLER WIDTHS AND/OR DIAMETERS REFER TO "M" DRAWING
- 3 - FOR ADDITIONAL TYPES OF ROLLERS AND LEVERS REFER TO LSZ CHART 1 "M" DRAWING

CATALOG LISTING LSA-LSW SERIES CHART 1 PAGE 2 OF 10  
 ISSUE 12  
 REVISIONS  
 L 0031956  
 BS 10 JUL 07  
 B 201004  
 C SL 10 AUG 00  
 C 201748  
 C SL 17 NOV 00  
 D 202198  
 C SL 23 JAN 01  
 E 204871  
 C SL 02 FEB 02  
 F 206581  
 GLH 14 OCT 02  
 G 206763  
 C SL 31 OCT 02  
 H 207179  
 GLH 14 JAN 03  
 J 207474  
 SL 18 FEB 03  
 K 0006871  
 RR 118004  
 DRAWN MAM 15 JUN 94  
 CHECK JAF 11 JUL 94  
 CHECK AK 11 AUG 04  
 PSR 10 JUL 07  
 RELEASE NO. CO-78498  
 REPLACES LSA-LSW SERIES

THIS DRAWING COVERS A PROPRIETARY ITEM AND IS THE PROPERTY OF MICRO SWITCH, A DIVISION OF HONEYWELL. THIS DRAWING IS NOT TO BE COPIED OR USED WITHOUT THE APPROVAL OF MICRO SWITCH.

**MICRO SWITCH**  
a Honeywell Division

SWITCH - ENCLOSED

CATALOG LISTING  
**LSA-LSW SERIES**  
CHART 1

FED MFG CODE 91929

THIRD ANGLE PROJECTION	
SCALE NONE	
DO NOT SCALE PRINT	
UNLESS OTHERWISE SPECIFIED TOLERANCES ARE	
ONE PLACE ( )	±.030
TWO PLACES ( .00 )	±.015
THREE PLACES ( .000 )	±.005
ANGLES	±
WEIGHT	

ISSUE 12 PSR 10JUL07 RELEASE NO CO-78498 REPLACES LSA-LSW SERIES

CATALOG LISTING  
**M** LSA-LSW SERIES CHART 1  
PAGE 3 OF 10

REV. SIONS  
L 0031958  
M 1 JUL 07  
B 201004  
C 201748  
D 202198  
E 204871  
F 206581  
G 206763  
H 207179  
J 207474  
K 0006871

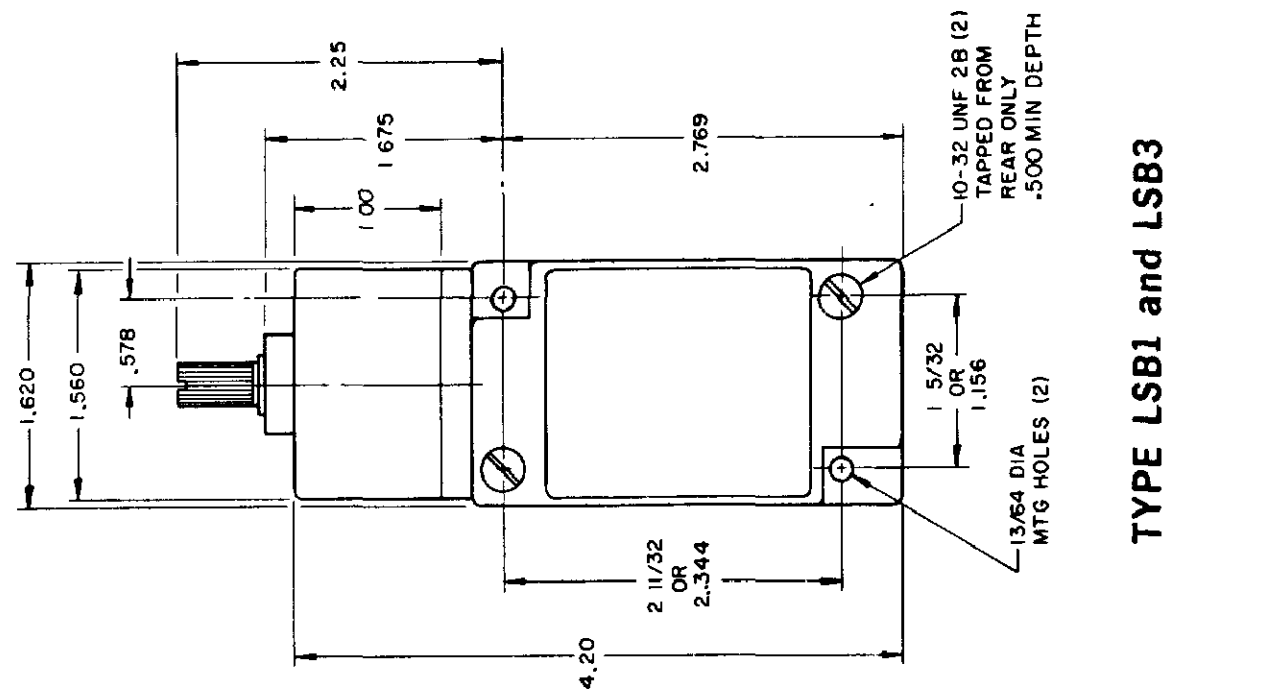
CHECK 11AUG04  
CHECK 1 JUL 94  
CHECK 1 JAN 01  
CHECK 1 FEB 02  
CHECK 1 JUL 94

RASTER  
DRAWN  
MAM 15 JUN 94

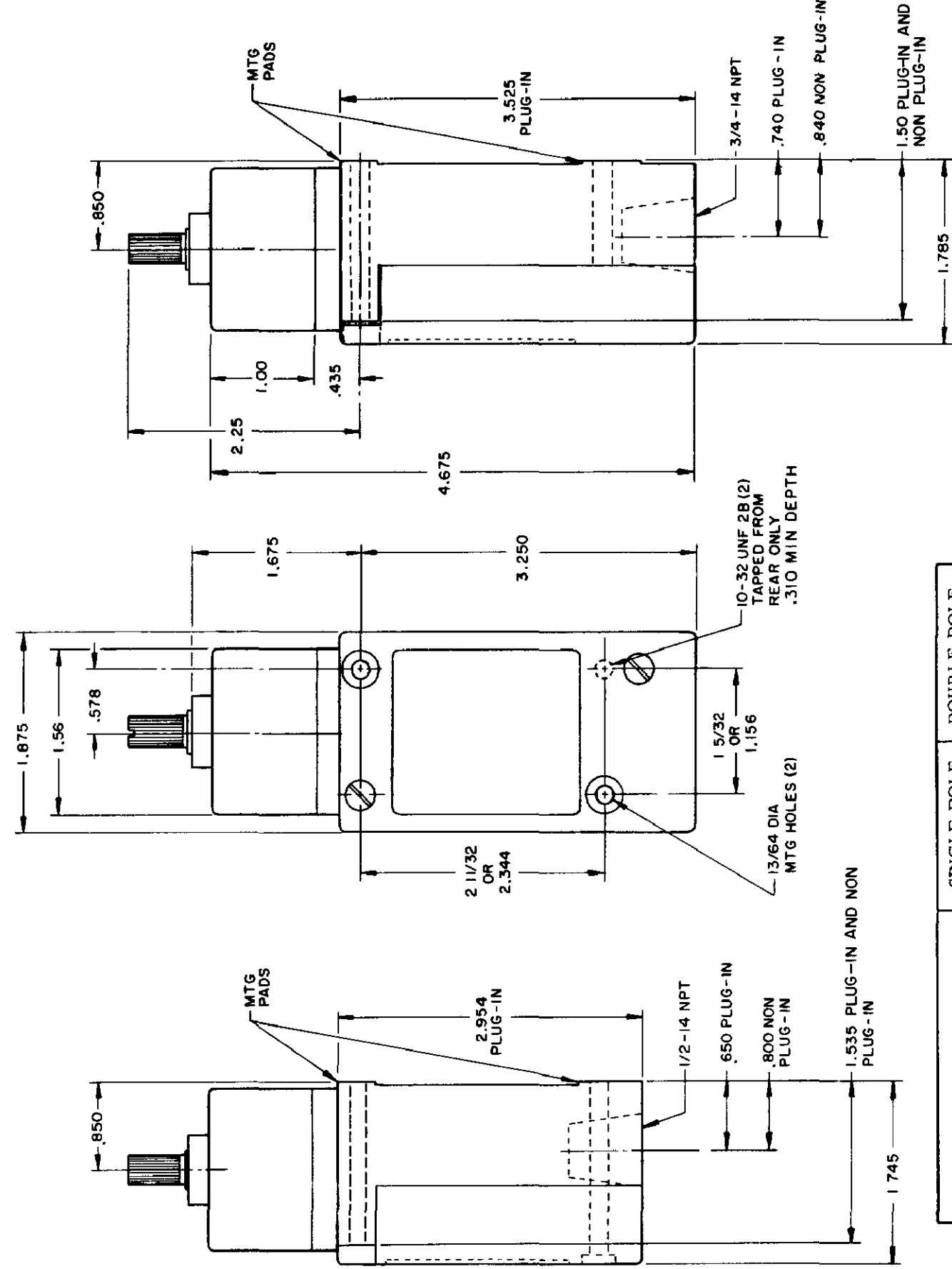
**TOP ROTARY**

**SINGLE POLE**

**DOUBLE POLE**



**TYPE LSB1 and LSB3**



**TYPE LSB2 and LSB4**  
LSB6 and LSB7 have 1/2 - 14 NPT CONDUIT HOLE

	SINGLE POLE	DOUBLE POLE
PRETRAVEL MAX	25°	25°
OVERTRAVEL MIN	110°	110°
DIFFERENTIAL TRAVEL MAX	10°	12°
OPERATING TORQUE MAX	2 5 IN. LBS	2 5 IN. LBS
TOTAL TRAVEL (REF)	135°	135°

**ELECTRICAL RATINGS**

A.C. VOLTAGE	AMPS AT 35 POWER FACTOR			
	SINGLF POLE		DOUBLE POLE	
	MAKE	BREAK	MAKE	BREAK
120	60	6	30	3
240	30	3	15	1.5
480	15	1.5	7.5	7.5
600	12	1.2	6	6

D.C. VOLTAGE	MAKE & BREAK	
	INDUCTIVE	RESISTIVE
120	0.25	0.80
240	0.15	0.40

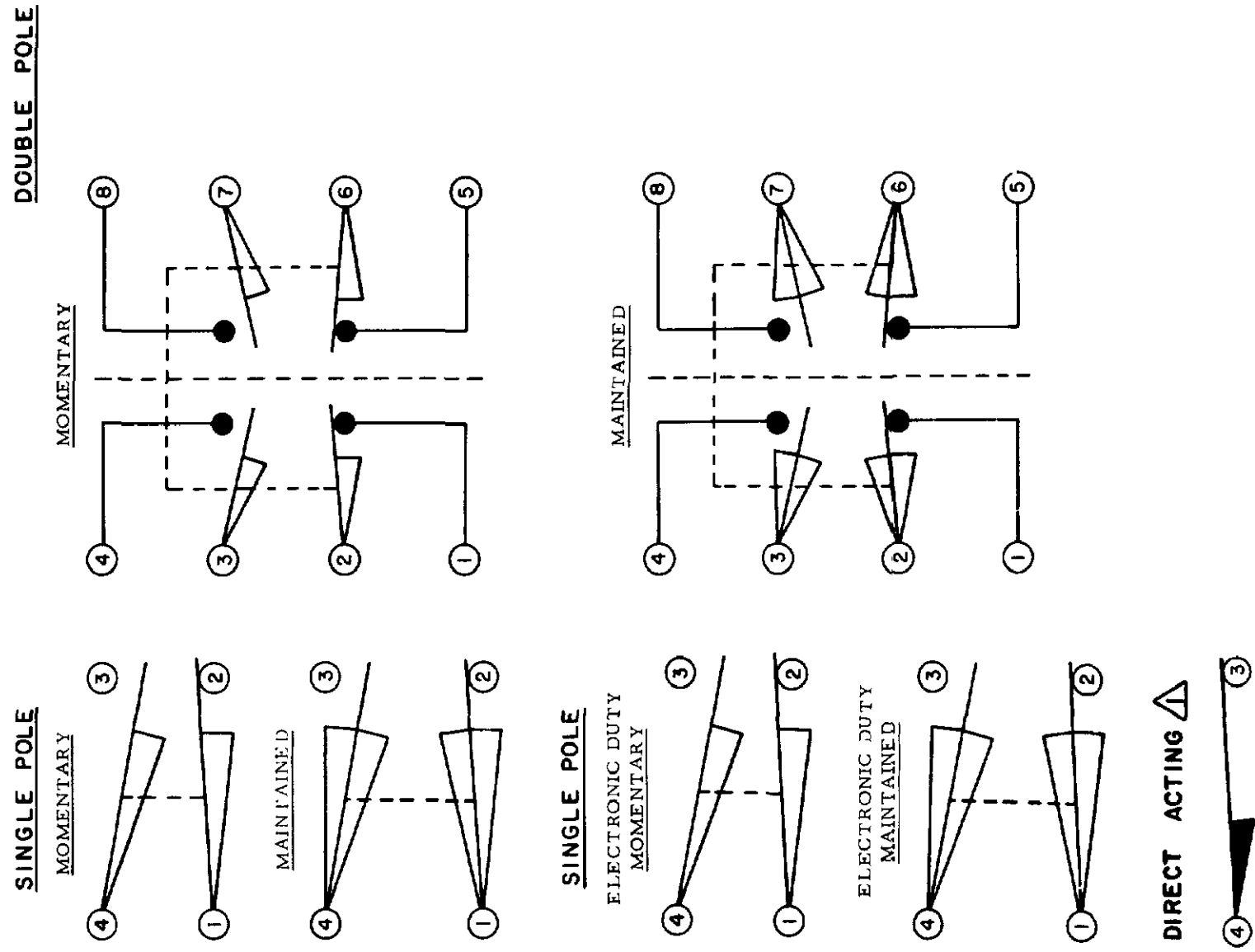
ELECTRONIC DUTY BASIC SWITCH  
10 AMP CONT.

VOLTAGE	MAKE AND BREAK AMPS
5 AC OR DC MIN	01 AMP MIN
600 AC	720 VA
240 DC	30 WATT

DIRECT ACTING (ALSO RATED AT A.C. 10 AMP CONT.)

D.C. VOLTAGE	MAKE AND BREAK AMPS	
	INDUCTIVE	RESISTIVE
30	4.2	4.2
120	1.1	1.1
240	.55	.55

**WIRING BASIC SWITCH**  
(SAME POLARITY MUST BE OBSERVED FOR EACH POLE)



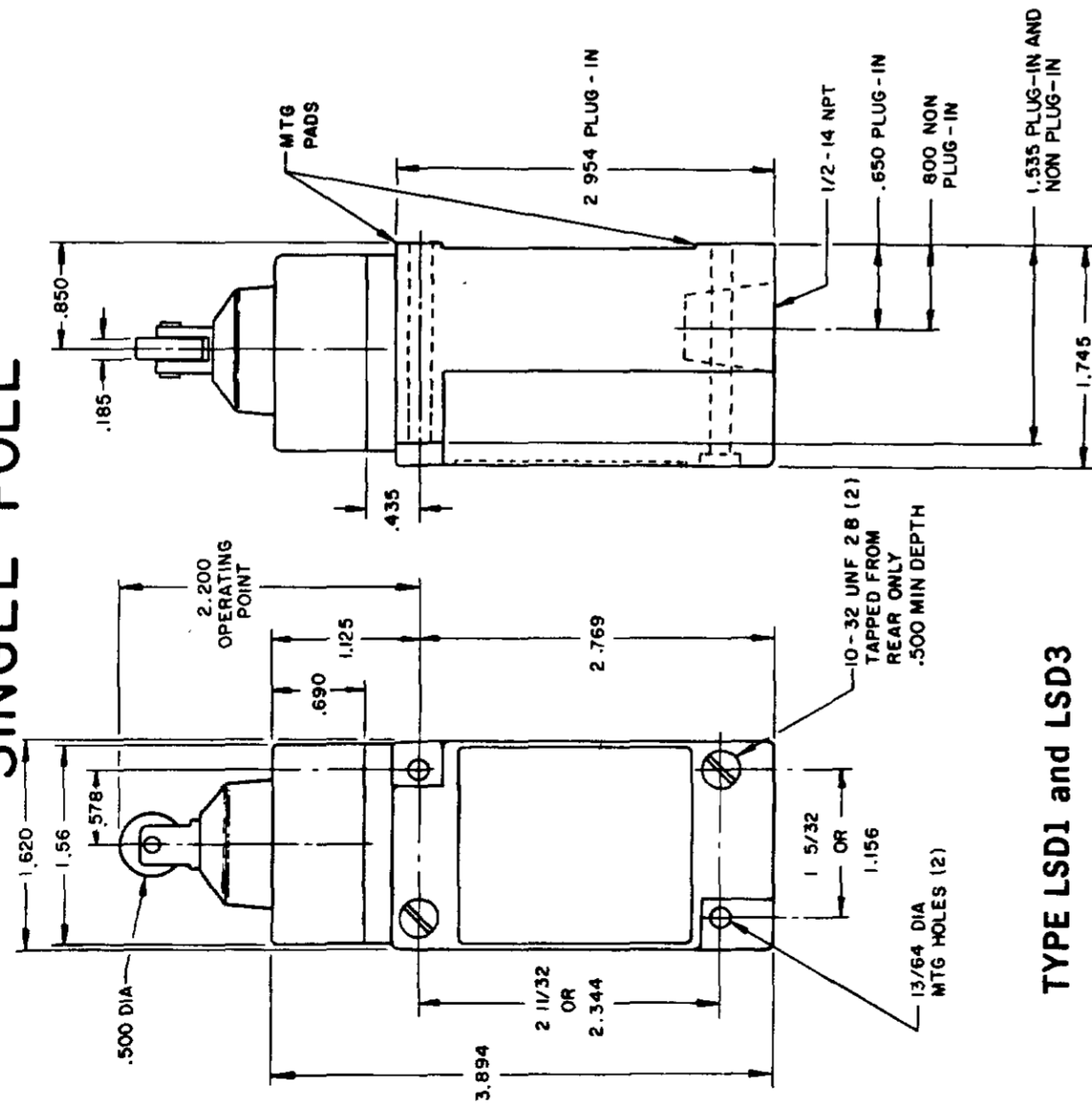
NOTES  
DIFFERENTIAL TRAVEL ON ALL OPERATING CHARACTERISTICS NOT APPLICABLE

REV	DATE	BY	CHKD	DESCRIPTION
L	0031956			
B	10 JUL 97			
C	201004			
D	201748			
E	202198			
F	206581			
G	206763			
H	207178			
I	207474			
J	207671			
K	0006871			

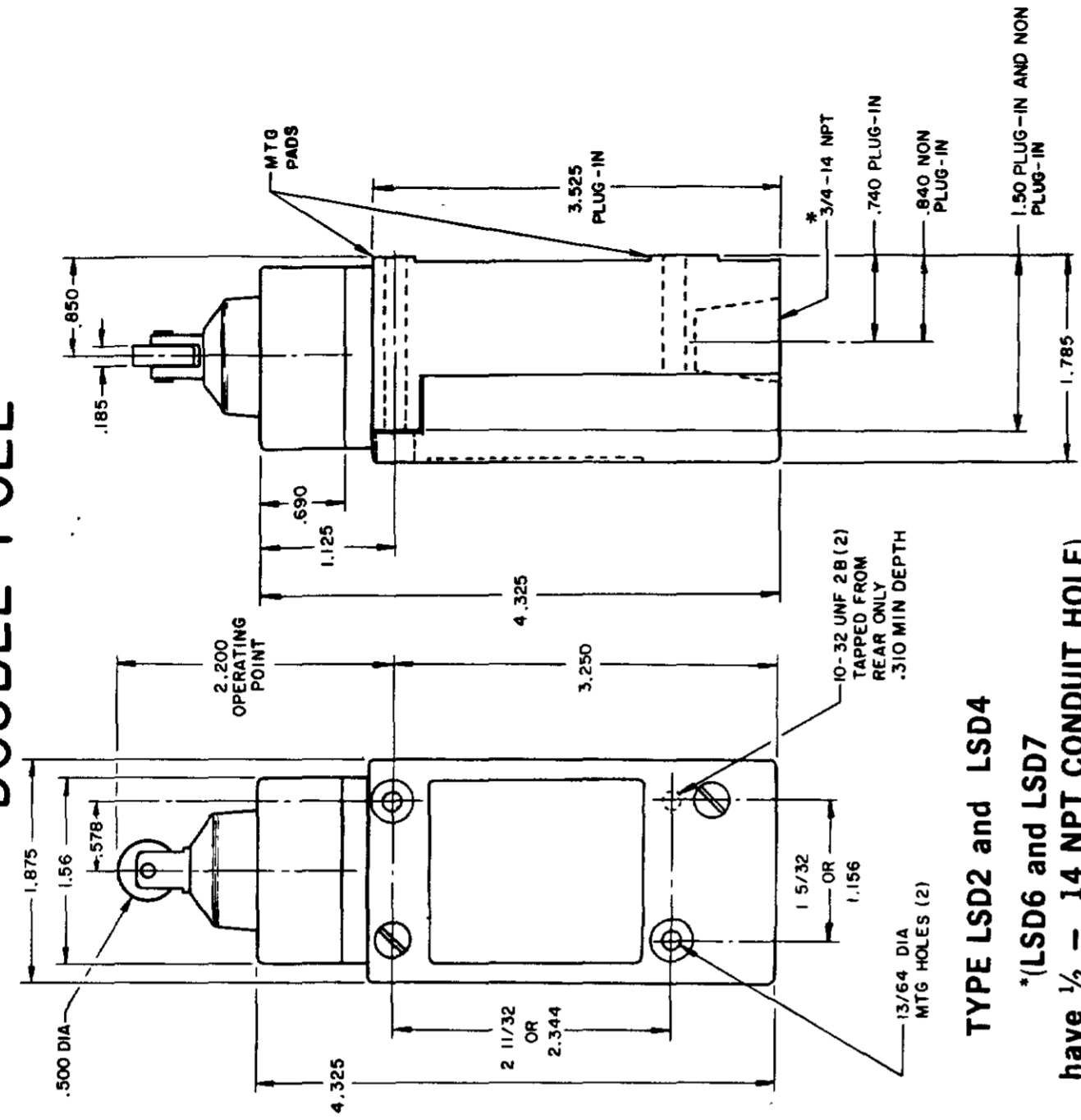
PLUNGER TYPE TOP

SINGLE POLE

DOUBLE POLE

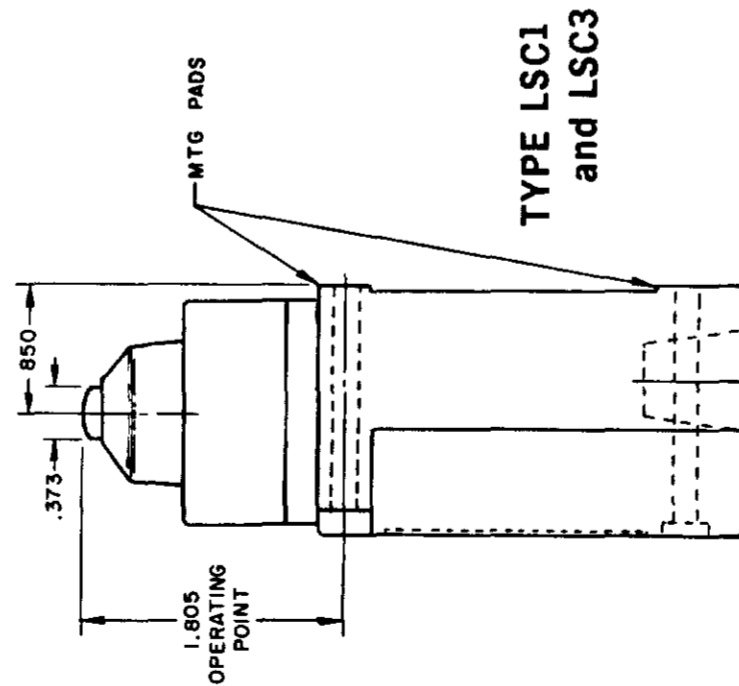


TYPE LSD1 and LSD3

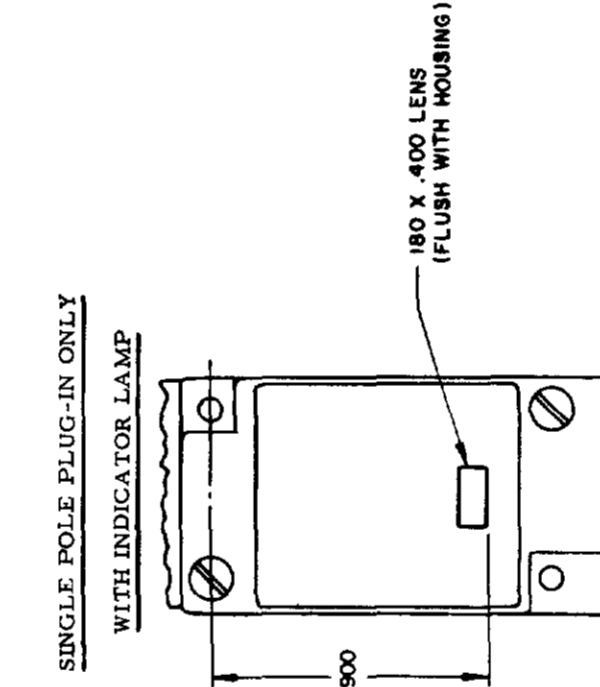


TYPE LSD2 and LSD4

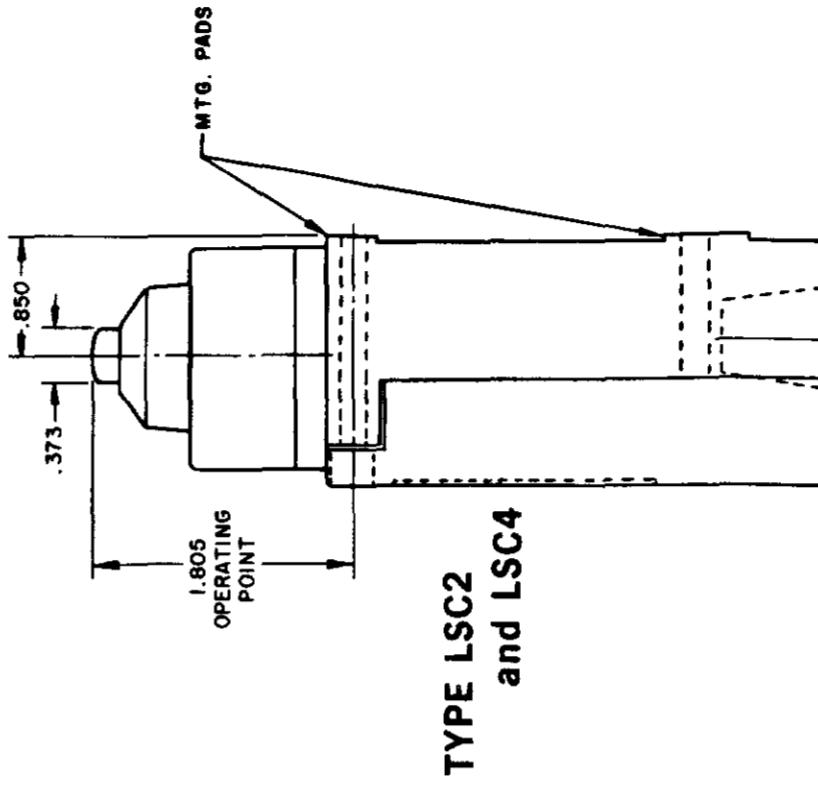
\*(LSD6 and LSD7 have 1/2 - 14 NPT CONDUIT HOLE)



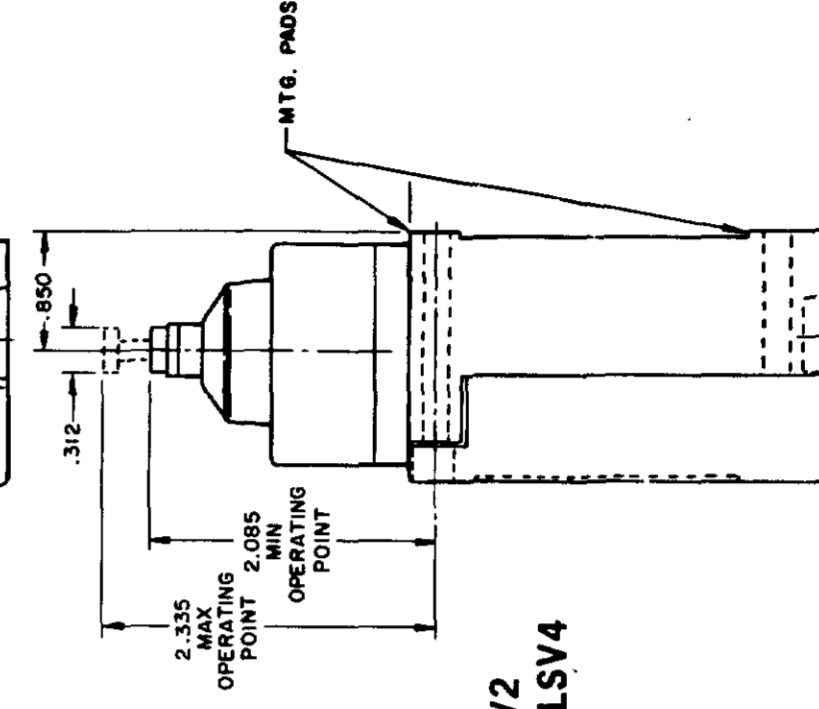
TYPE LSC1 and LSC3



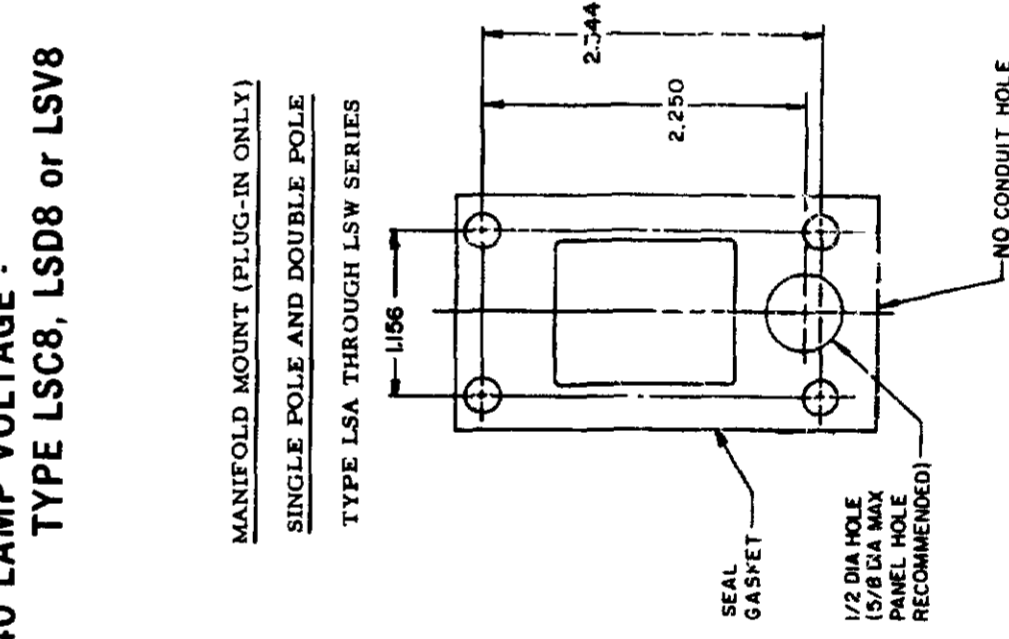
120 LAMP VOLTAGE - TYPE LSC5, LSD5 or LSV5  
 240 LAMP VOLTAGE - TYPE LSC8, LSD8 or LSV8



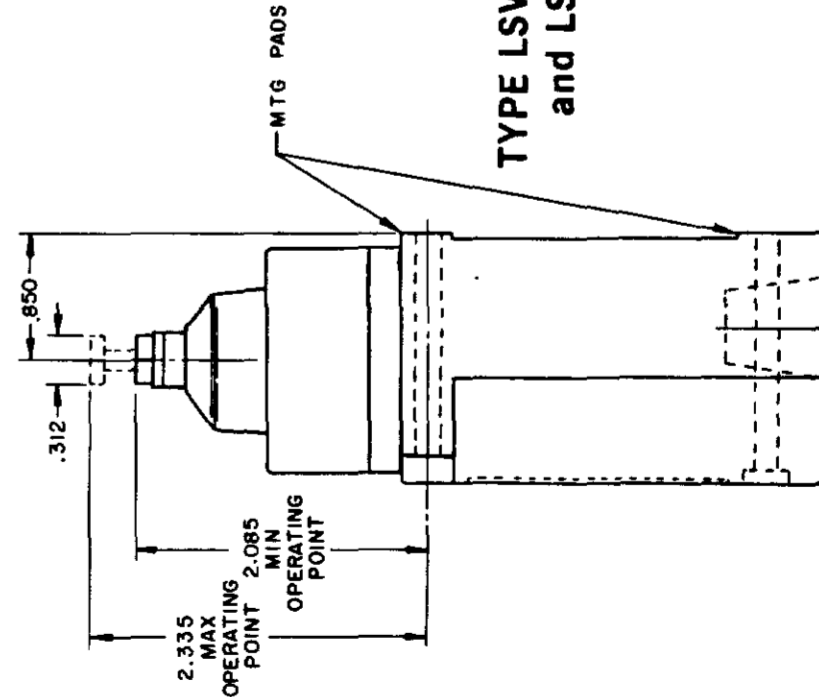
TYPE LSC2 and LSC4



TYPE LSV2 and LSV4



TYPE LSV1 and LSV3



TYPE LSV1 and LSV3

THIS DRAWING COVERS A PROPRIETARY ITEM AND IS THE PROPERTY OF MICRO SWITCH, A DIVISION OF HONEYWELL. THIS DRAWING IS NOT TO BE COPIED OR USED WITHOUT THE APPROVAL OF MICRO SWITCH.

**MICRO SWITCH**  
 a Honeywell Division

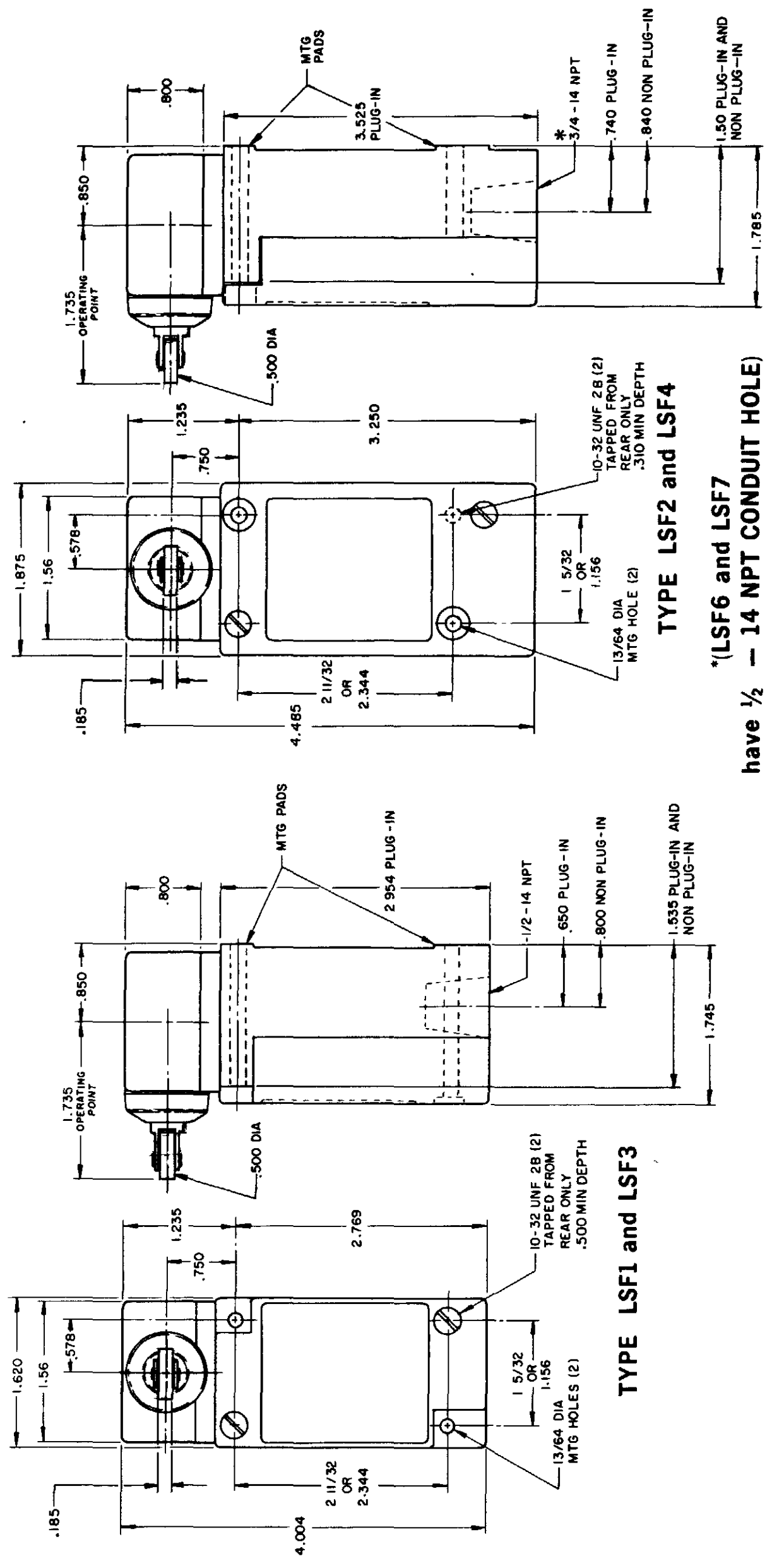
SWITCH - ENCLOSED

CATALOG LISTING  
**LSA-LSW SERIES**  
 CHART 1

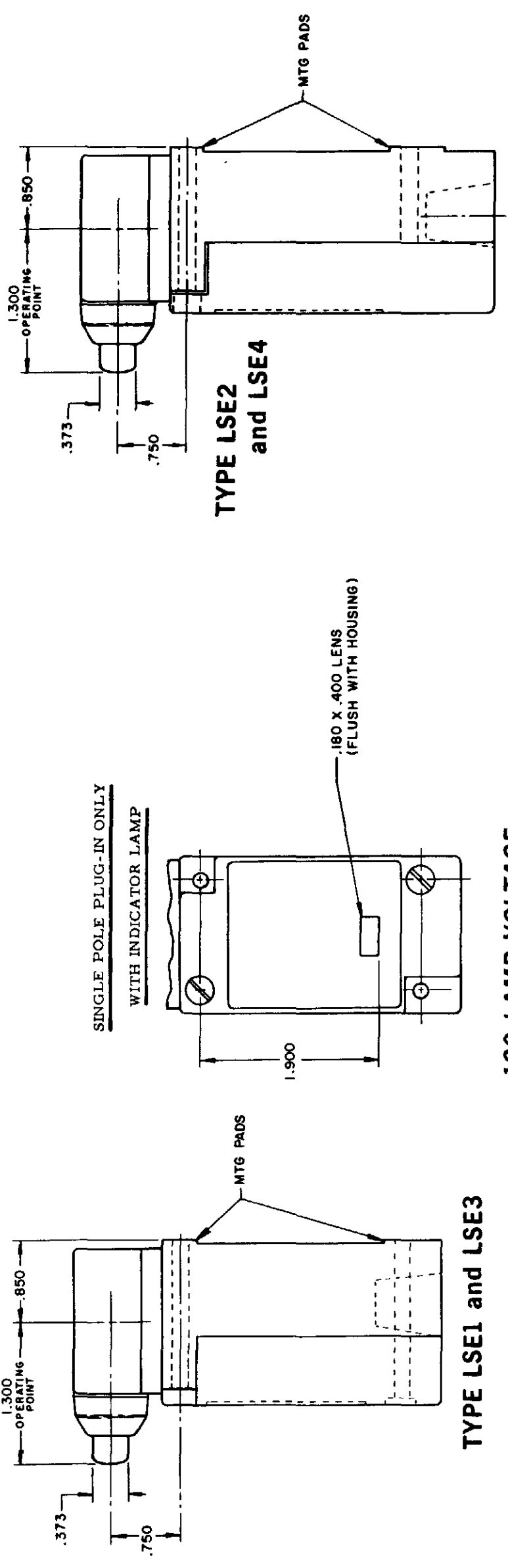
SCALE NONE  
 MICRO SWITCH  
 18000  
 18000

RASTER	15 JUN 94	CHECK	JAF
DRAWN	11 JUL 94	CHECK	AK
MAM	11 AUG 04	CHECK	AK
REV	11 AUG 04	CHECK	AK
1	11 AUG 04	CHECK	AK
2	11 AUG 04	CHECK	AK
3	11 AUG 04	CHECK	AK
4	11 AUG 04	CHECK	AK
5	11 AUG 04	CHECK	AK
6	11 AUG 04	CHECK	AK
7	11 AUG 04	CHECK	AK
8	11 AUG 04	CHECK	AK
9	11 AUG 04	CHECK	AK
10	11 AUG 04	CHECK	AK
11	11 AUG 04	CHECK	AK
12	11 AUG 04	CHECK	AK
13	11 AUG 04	CHECK	AK
14	11 AUG 04	CHECK	AK
15	11 AUG 04	CHECK	AK
16	11 AUG 04	CHECK	AK
17	11 AUG 04	CHECK	AK
18	11 AUG 04	CHECK	AK
19	11 AUG 04	CHECK	AK
20	11 AUG 04	CHECK	AK
21	11 AUG 04	CHECK	AK
22	11 AUG 04	CHECK	AK
23	11 AUG 04	CHECK	AK
24	11 AUG 04	CHECK	AK
25	11 AUG 04	CHECK	AK
26	11 AUG 04	CHECK	AK
27	11 AUG 04	CHECK	AK
28	11 AUG 04	CHECK	AK
29	11 AUG 04	CHECK	AK
30	11 AUG 04	CHECK	AK
31	11 AUG 04	CHECK	AK
32	11 AUG 04	CHECK	AK
33	11 AUG 04	CHECK	AK
34	11 AUG 04	CHECK	AK
35	11 AUG 04	CHECK	AK
36	11 AUG 04	CHECK	AK
37	11 AUG 04	CHECK	AK
38	11 AUG 04	CHECK	AK
39	11 AUG 04	CHECK	AK
40	11 AUG 04	CHECK	AK
41	11 AUG 04	CHECK	AK
42	11 AUG 04	CHECK	AK
43	11 AUG 04	CHECK	AK
44	11 AUG 04	CHECK	AK
45	11 AUG 04	CHECK	AK
46	11 AUG 04	CHECK	AK
47	11 AUG 04	CHECK	AK
48	11 AUG 04	CHECK	AK
49	11 AUG 04	CHECK	AK
50	11 AUG 04	CHECK	AK
51	11 AUG 04	CHECK	AK
52	11 AUG 04	CHECK	AK
53	11 AUG 04	CHECK	AK
54	11 AUG 04	CHECK	AK
55	11 AUG 04	CHECK	AK
56	11 AUG 04	CHECK	AK
57	11 AUG 04	CHECK	AK
58	11 AUG 04	CHECK	AK
59	11 AUG 04	CHECK	AK
60	11 AUG 04	CHECK	AK
61	11 AUG 04	CHECK	AK
62	11 AUG 04	CHECK	AK
63	11 AUG 04	CHECK	AK
64	11 AUG 04	CHECK	AK
65	11 AUG 04	CHECK	AK
66	11 AUG 04	CHECK	AK
67	11 AUG 04	CHECK	AK
68	11 AUG 04	CHECK	AK
69	11 AUG 04	CHECK	AK
70	11 AUG 04	CHECK	AK
71	11 AUG 04	CHECK	AK
72	11 AUG 04	CHECK	AK
73	11 AUG 04	CHECK	AK
74	11 AUG 04	CHECK	AK
75	11 AUG 04	CHECK	AK
76	11 AUG 04	CHECK	AK
77	11 AUG 04	CHECK	AK
78	11 AUG 04	CHECK	AK
79	11 AUG 04	CHECK	AK
80	11 AUG 04	CHECK	AK
81	11 AUG 04	CHECK	AK
82	11 AUG 04	CHECK	AK
83	11 AUG 04	CHECK	AK
84	11 AUG 04	CHECK	AK
85	11 AUG 04	CHECK	AK
86	11 AUG 04	CHECK	AK
87	11 AUG 04	CHECK	AK
88	11 AUG 04	CHECK	AK
89	11 AUG 04	CHECK	AK
90	11 AUG 04	CHECK	AK
91	11 AUG 04	CHECK	AK
92	11 AUG 04	CHECK	AK
93	11 AUG 04	CHECK	AK
94	11 AUG 04	CHECK	AK
95	11 AUG 04	CHECK	AK
96	11 AUG 04	CHECK	AK
97	11 AUG 04	CHECK	AK
98	11 AUG 04	CHECK	AK
99	11 AUG 04	CHECK	AK
100	11 AUG 04	CHECK	AK

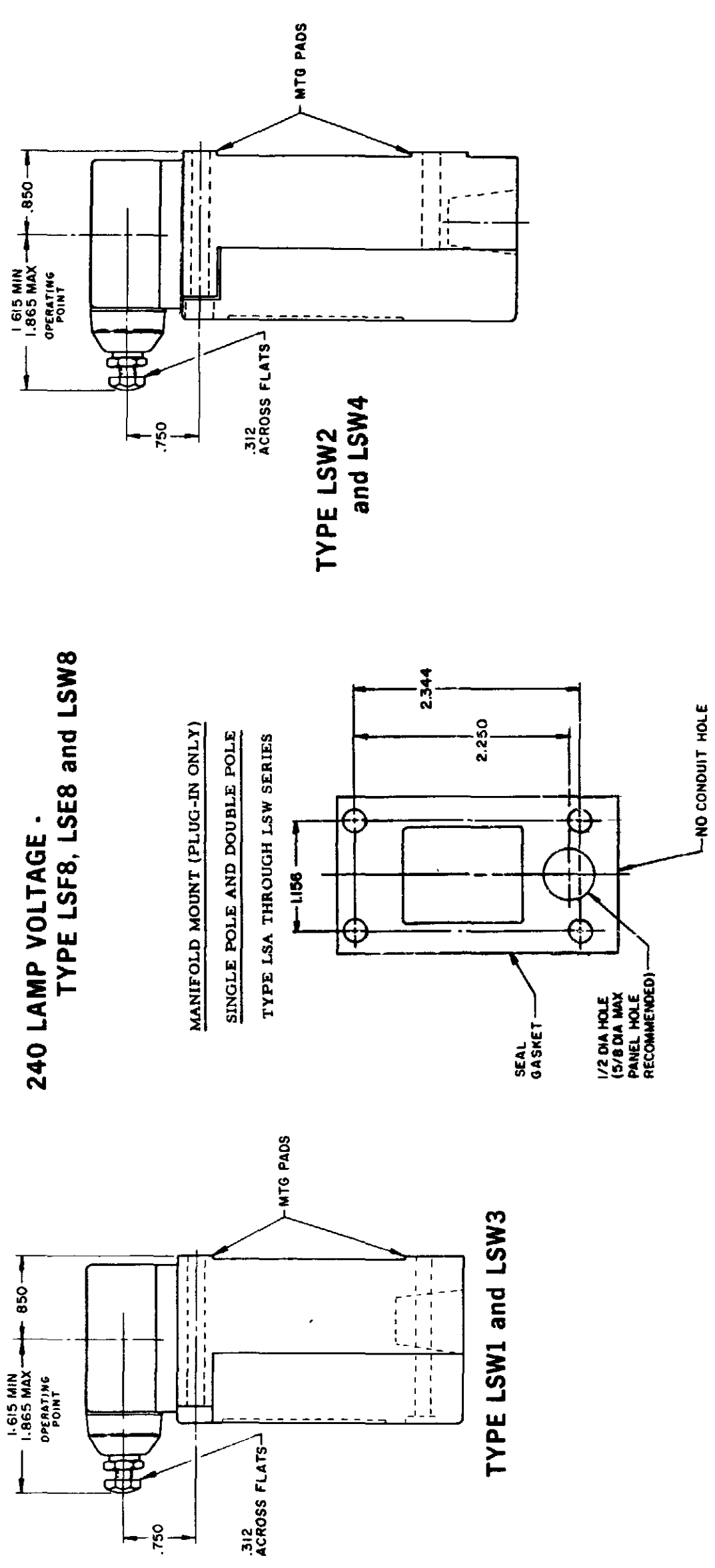
SIDE PLUNGER TYPE DOUBLE POLE



TYPE LSF1 and LSF3  
TYPE LSF2 and LSF4  
\*(LSF6 and LSF7 have 1/2 - 14 NPT CONDUIT HOLE)



TYPE LSE1 and LSE3  
TYPE LSE2 and LSE4  
120 LAMP VOLTAGE - TYPE LSF5, LSE5 and LSW5  
240 LAMP VOLTAGE - TYPE LSF8, LSE8 and LSW8



MANIFOLD MOUNT (PLUG-IN ONLY)  
SINGLE POLE AND DOUBLE POLE  
TYPE LSA THROUGH LSW SERIES  
SEAL GASKET  
1/2 DIA HOLE (5/8 DIA MAX PANEL HOLE RECOMMENDED)  
NO CONDUIT HOLE

THIS DRAWING COVERS A PROPRIETARY ITEM AND IS THE PROPERTY OF MICRO SWITCH A DIVISION OF HONEYWELL THIS DRAWING IS NOT TO BE COPIED OR USED WITHOUT THE APPROVAL OF MICRO SWITCH

**MICRO SWITCH**  
a Honeywell Division

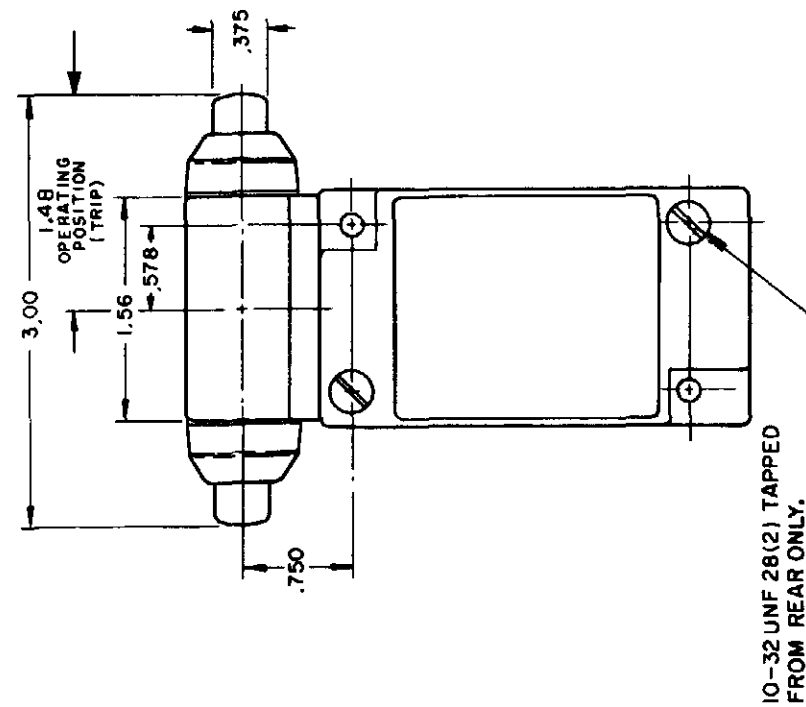
SWITCH - ENCLOSED

LSA-LSW SERIES  
CHART 1

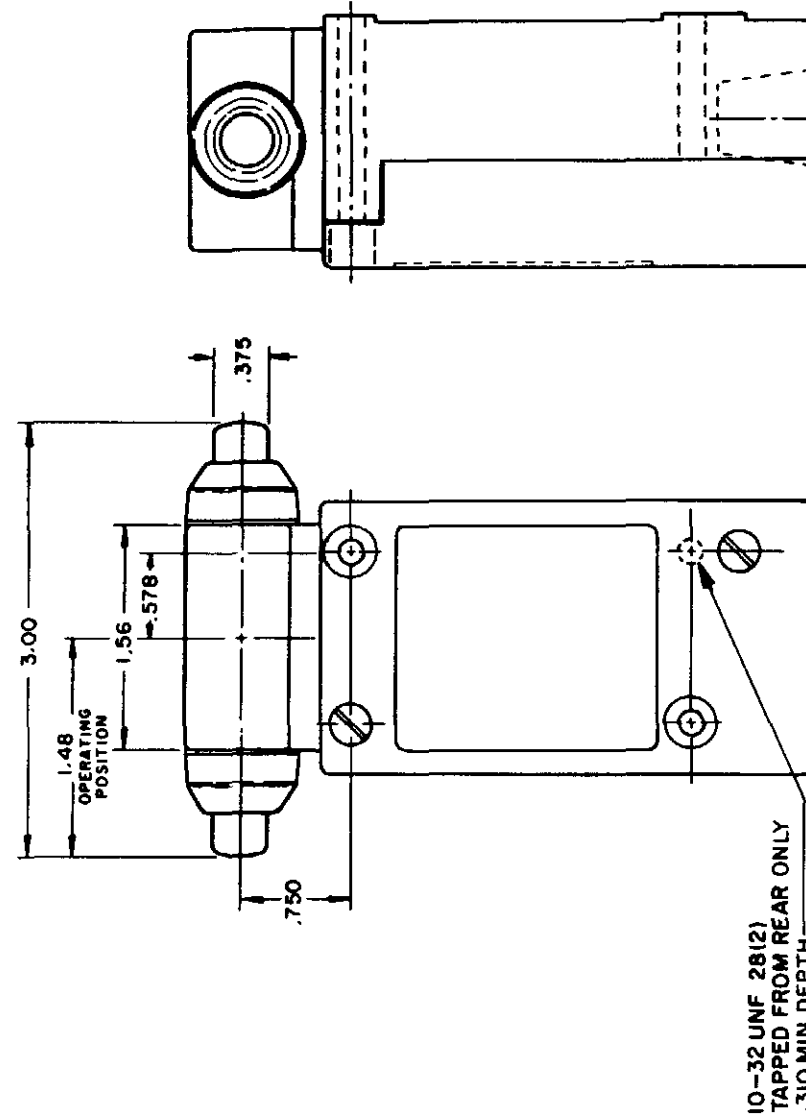
SCALE NONE  
DO NOT SCALE PRINT

PAGE 5 OF 10

ISSUE 12 PSR 10JUL07 RELEASE NO CO-78498 REPLACES LSA-LSW SERIES  
 CATALOG LISTING  
**M** LSA-LSW SERIES CHART 1  
 PAGE 6 OF 10  
 REVISIONS  
 L 0031956  
 10 JUL 07  
 B 201004  
 C.S.I.  
 C 201748  
 10 AUG 00  
 C.S.I.  
 D 202198  
 17 NOV 00  
 C.S.I.  
 E 204871  
 23 JAN 01  
 C.S.I.  
 F 206581  
 14 OCT 02  
 G 206763  
 31 OCT 02  
 H 207179  
 G.H.  
 J 207474  
 14 JAN 03  
 TSM  
 18 FEB 03  
 K 0006871  
 11AUG04  
 15 JUN 94  
 check JAF  
 11 JUL 94  
 check AK  
 11AUG04  
 check  
 11AUG04  
 check



TYPE LSG1 and LSG3



TYPE LSG2 and LSG4

INITIAL POSITION (FREE POSITION) } PRETRAVEL  
 OPERATING POINT } DIFFERENTIAL TRAVEL  
 FULL TRAVEL } OVERTRAVEL

TOP PLUNGER TYPES

CHARACTERISTICS	LSC PLUNGER		LSD ROLLER PLUNGER		LSV ADJ PLUNGER		SEQUENCE BASIC		
	OPERATING POINT GIVEN IN RELATION TO TOP MOUNTING HOLE		OPERATING POINT GIVEN IN RELATION TO CENTER OF HEAD		OPERATING POINT GIVEN IN RELATION TO TOP MOUNTING HOLE		LSC	LSD	LSV
PRETRAVEL (MAX)	.070		.070		.070		1ST STEP .070		
DIFFERENTIAL TRAVEL (MAX)	.015		.020		.015		2ND STEP .016 MIN ADD'L		
OVERTRAVEL (MIN)	.190		.190		.190		.015 EACH STEP		
OPERATING FORCE (MAX)	4 LBS		4 LBS		4 LBS		.170		
OPERATING POINT	1.805 ± .030		2.200 ± .040		2.085 MIN		1ST STEP		
FULL OVERTRAVEL FORCE (MAX)	7 LBS		7 LBS		7 LBS		1.815±.030		2.210±.040
							2.095 MIN		2.345 MAX

SIDE PLUNGER TYPES

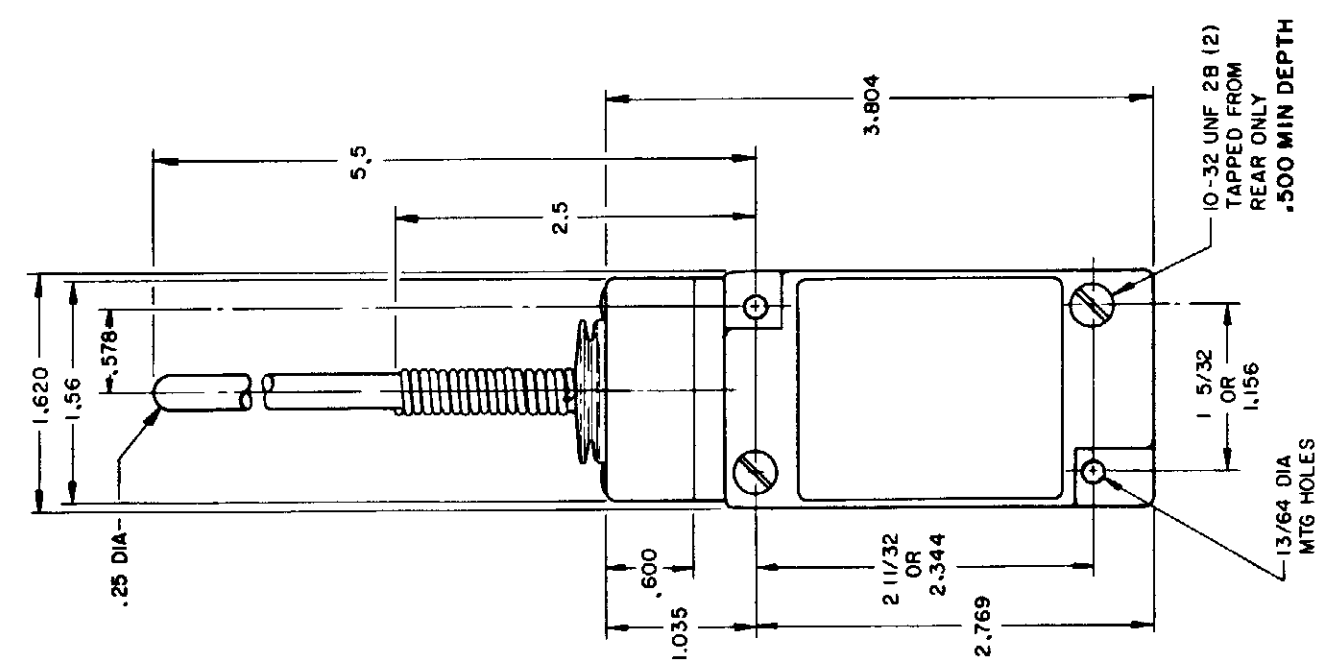
CHARACTERISTICS	LSE PLUNGER		LSF ROLLER PLUNGER		LSW ADJ PLUNGER		SEQUENCE BASIC		
	OPERATING POINT GIVEN IN RELATION TO CENTER OF HEAD		OPERATING POINT GIVEN IN RELATION TO CENTER OF HEAD		OPERATING POINT GIVEN IN RELATION TO CENTER OF HEAD		LSE	LSF	LSW
PRETRAVEL (MAX)	.100		.100		.170		1ST STEP .100		
DIFFERENTIAL TRAVEL (MAX)	.045		.045		.090		2ND STEP .020 MIN ADD'L		
OVERTRAVEL (MIN)	.190		.190		.080		.025 EACH STEP		
OPERATING FORCE (MAX)	6 LBS		6 LBS		10 LBS		.170		
OPERATING POINT	1.300 ± .030		1.735 ± .040		1.480 ± .030		1ST STEP		
FULL OVERTRAVEL FORCE (MAX)	6 LBS		6 LBS		10 LBS		1.310±.030		1.745±.040
							1.625 MIN		1.875 MAX

THIS DRAWING COVERS A PROPRIETARY ITEM AND IS THE PROPERTY OF MICRO SWITCH, A DIVISION OF HONEYWELL. THIS DRAWING IS NOT TO BE COPIED OR USED WITHOUT THE APPROVAL OF MICRO SWITCH.  
**MICRO SWITCH**  
 a Honeywell Division  
 FED MFG CODE 91929  
**SWITCH - ENCLOSED**  
 CATALOG LISTING  
**LSA-LSW SERIES**  
**CHART 1**  
 SCALE NONE  
 DO NOT SCALE PRINT  
 UNLESS OTHERWISE SPECIFIED  
**TOLERANCES**  
 ONE PLACE (.0)  
 TWO PLACE (.00)  
 THREE PLACE (.000)  
 ANGLES  
 WEIGHT

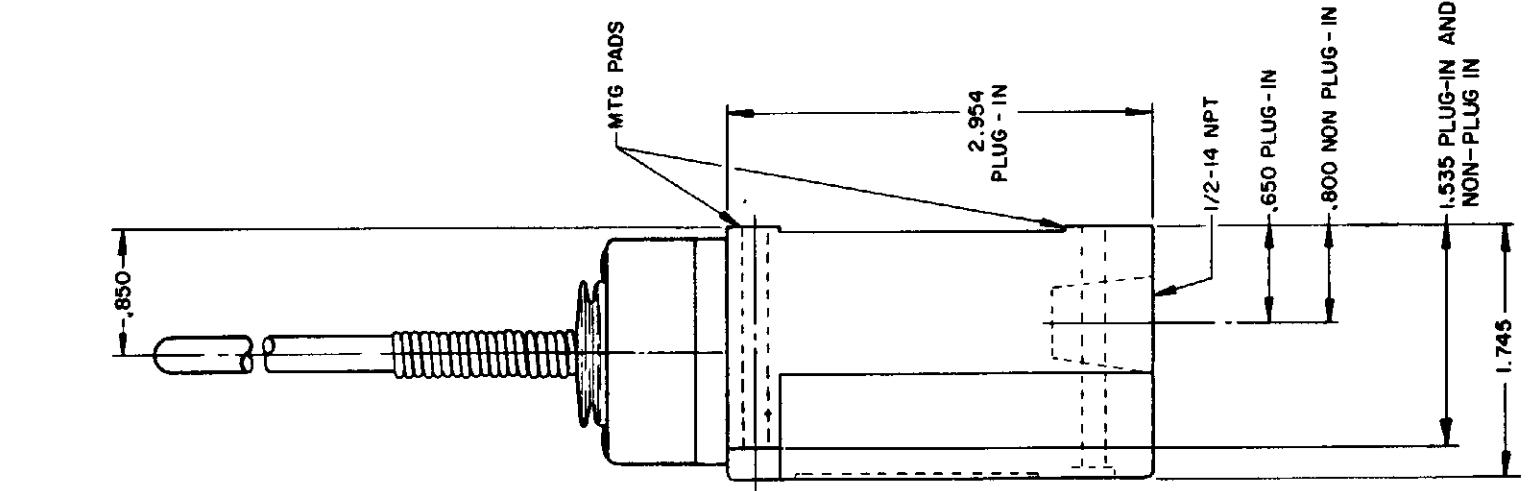
**WOBBLE STICK**

**SINGLE POLE**

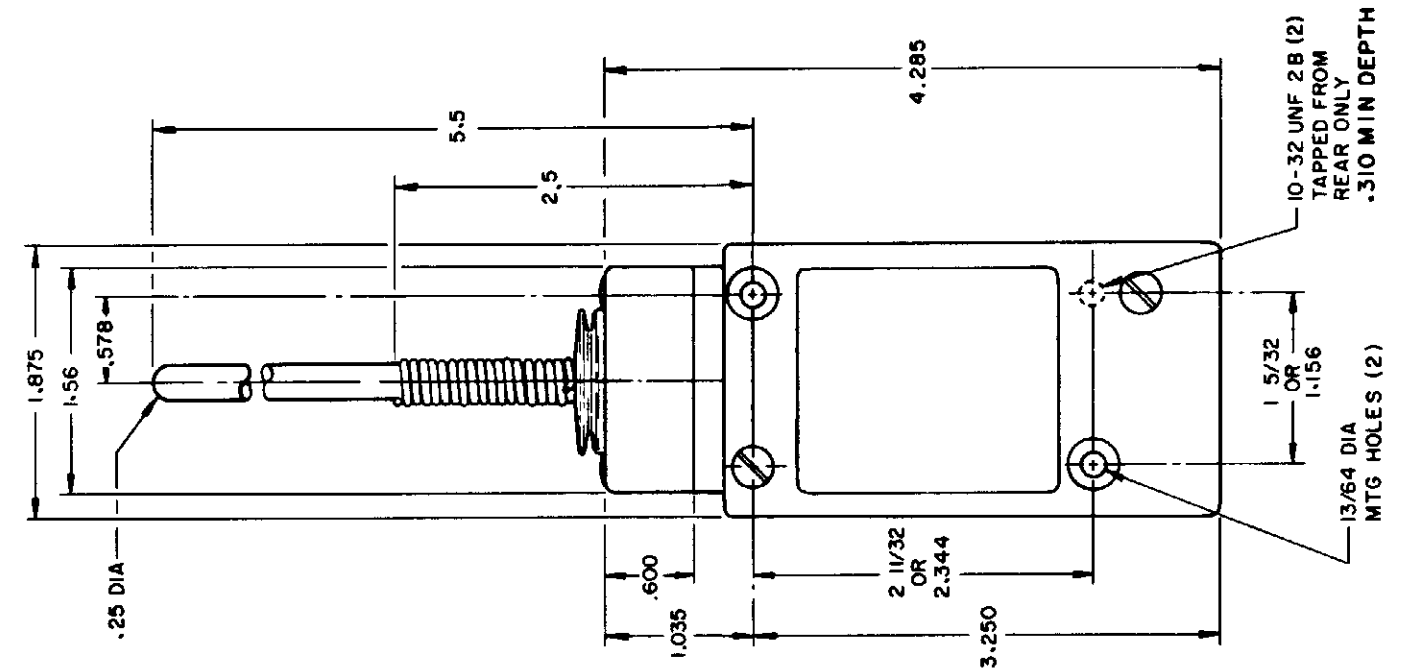
**DOUBLE POLE**



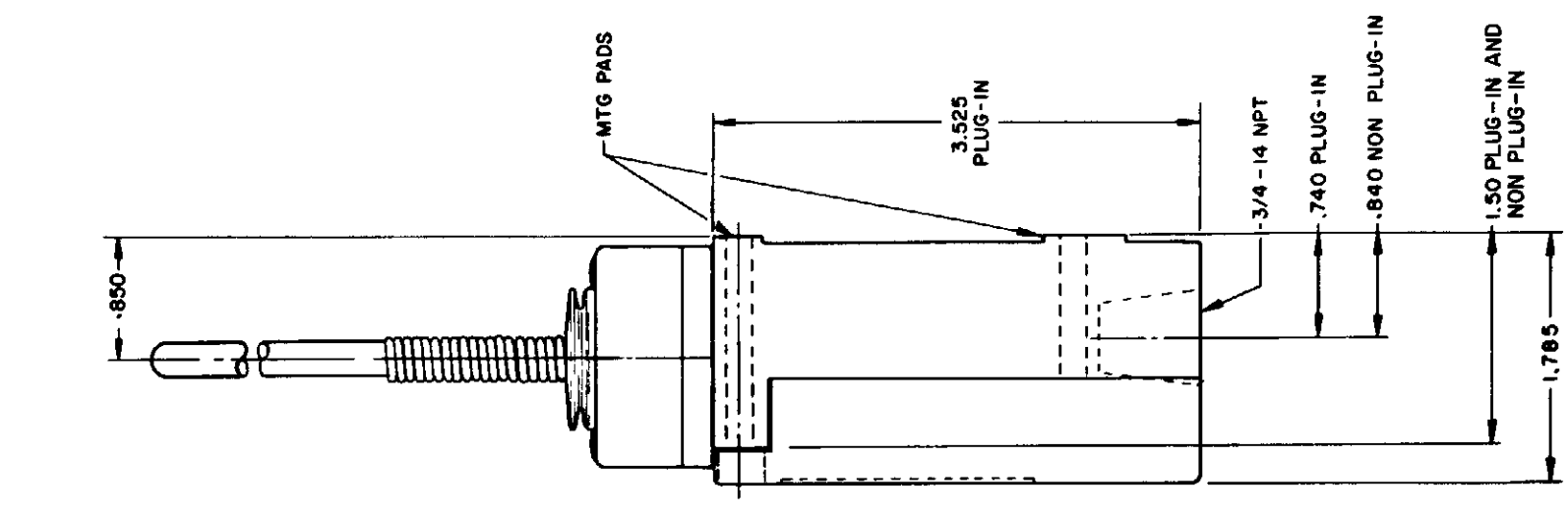
**PLASTIC EXTENSION  
TYPE 7A ACTUATOR**  
TYPE LSJ1 AND LSJ3



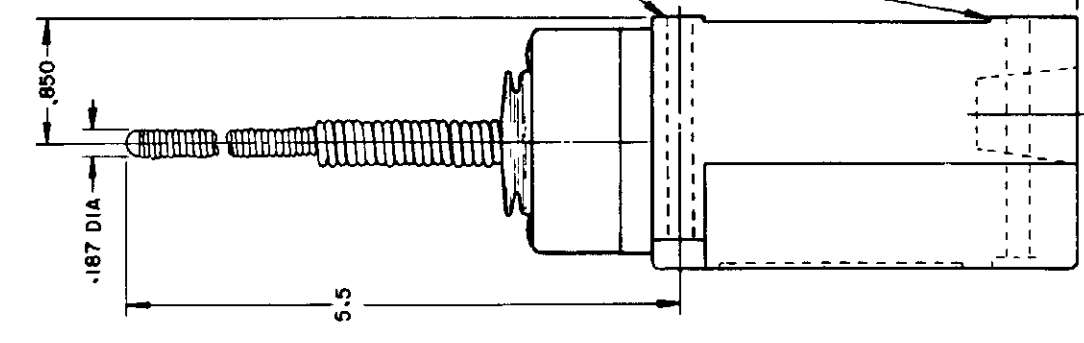
**REPLACEMENT ACTUATOR  
LSZ-4009**



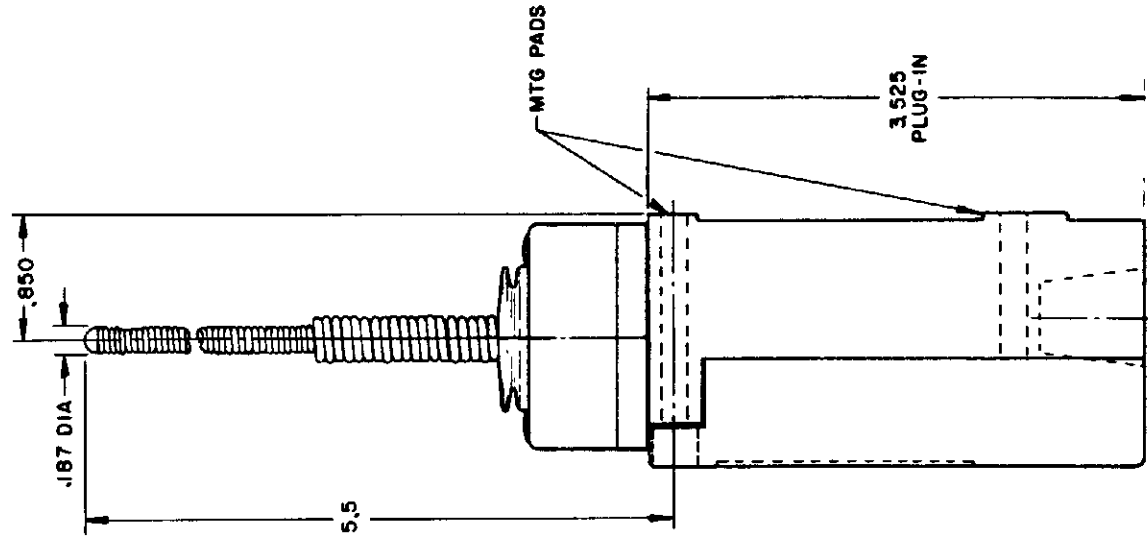
**PLASTIC EXTENSION  
TYPE 7A ACTUATOR**  
TYPE LSJ2 AND LSJ4  
LSJ6 AND LSJ7 HAVE  
1/2 - 14 NPT CONDUIT HOLE



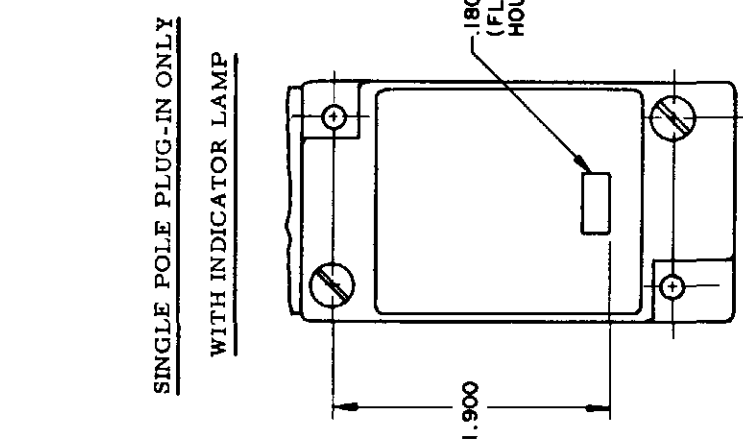
**REPLACEMENT ACTUATOR  
LSZ-4011**



**CABLE EXTENSION  
TYPE 7N ACTUATOR**

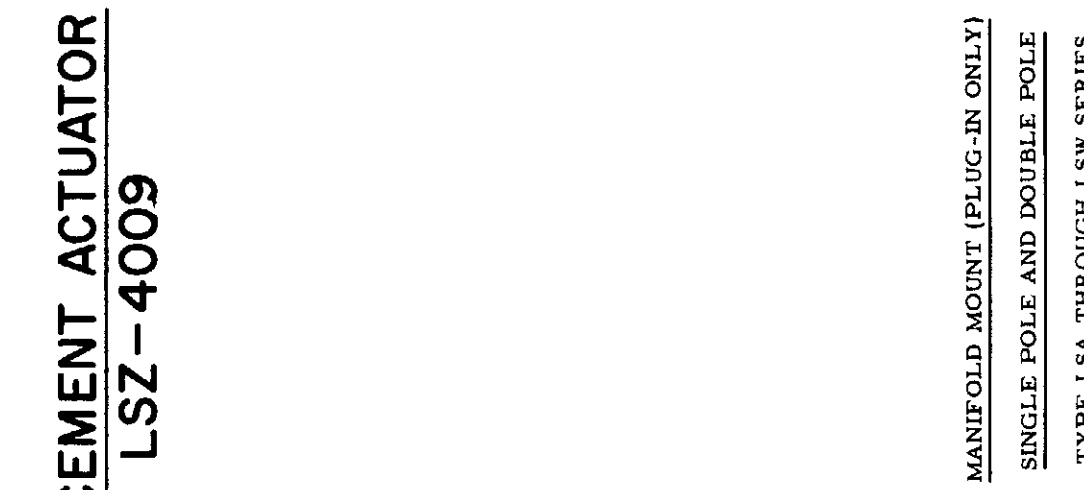


**CABLE EXTENSION  
TYPE 7N ACTUATOR**

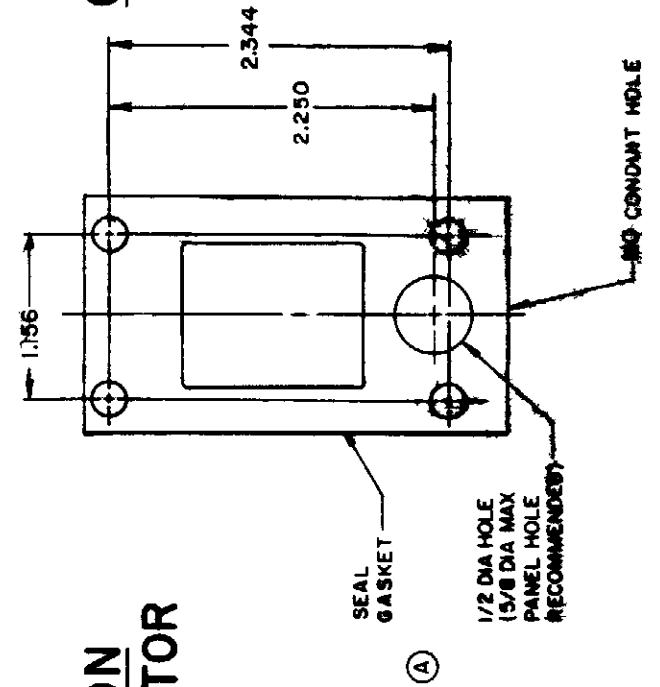


**SINGLE POLE PLUG-IN ONLY  
WITH INDICATOR LAMP**

120 LAMP VOLTAGE TYPE LSJ5  
240 LAMP VOLTAGE TYPE LSJ8  
24 LED VOLTAGE TYPE LSJ9

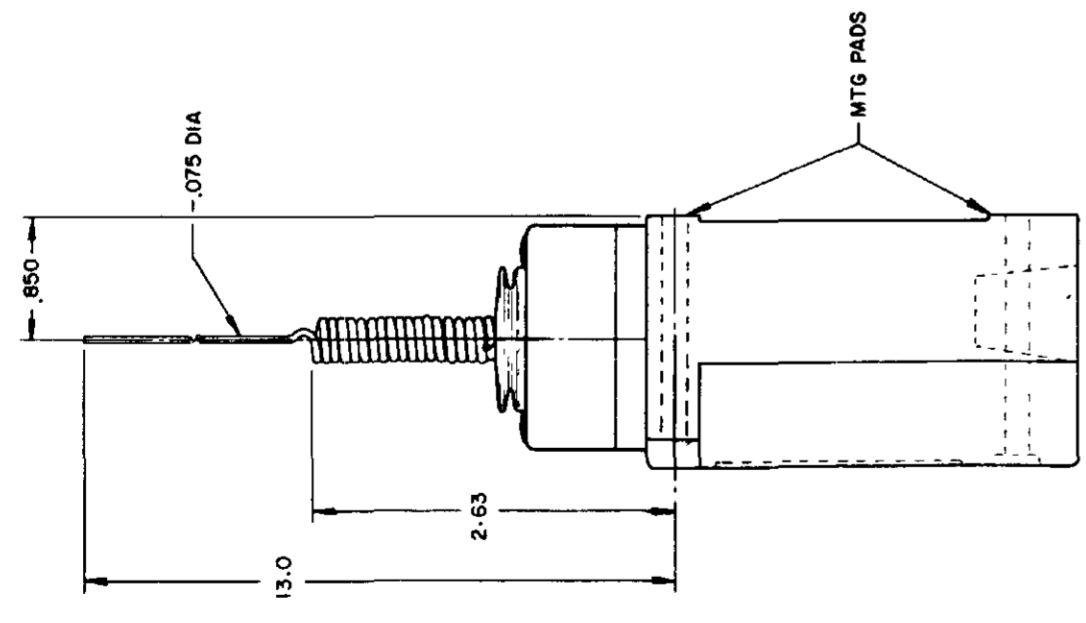


**MANIFOLD MOUNT (PLUG-IN ONLY)  
SINGLE POLE AND DOUBLE POLE  
TYPE LSA THROUGH LSW SERIES**



**SEAL GASKET  
1/2 DIA HOLE  
(5/8 DIA MAX  
PANEL HOLE  
RECOMMENDED)**

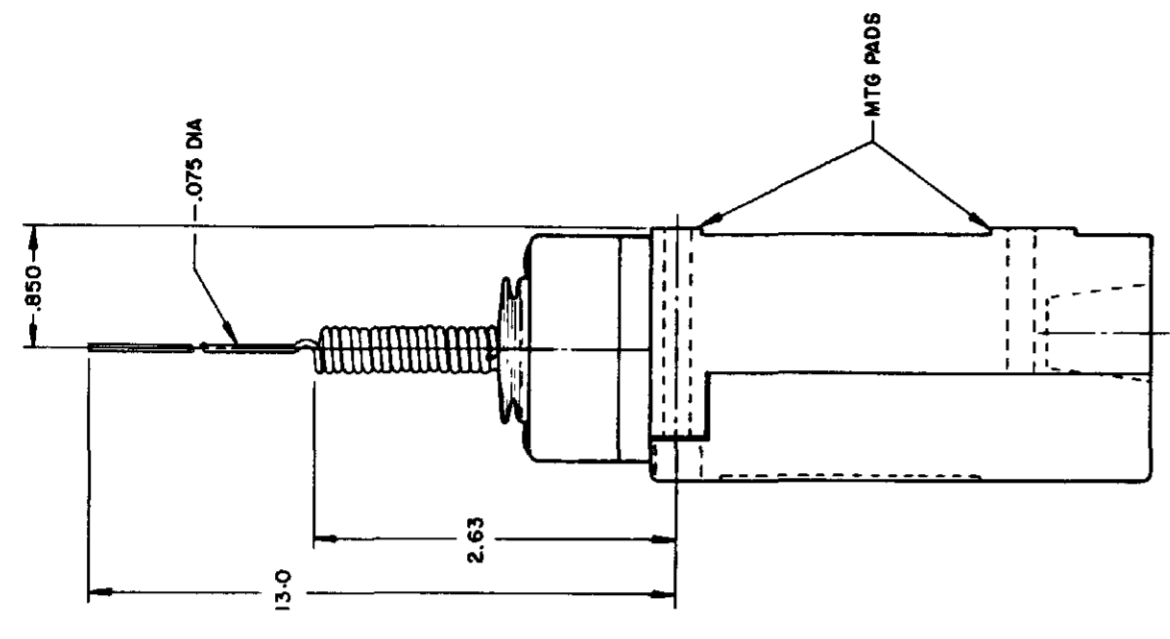
REV. NO.	DATE	BY	CHKD.	DESCRIPTION
L	00319556			
BS	10 JUL 07			
B	201004			
C	10 AUG 00			
C	201748			
C	17 NOV 00			
D	202198			
E	204871			
F	206581			
G	206763			
H	207179			
J	207474			
K	0006871			



**WIRE EXTENSION TYPE 7M ACTUATOR**

TYPE LSJ1 and LSJ3

REPLACEMENT ACTUATOR - LSZ 4010

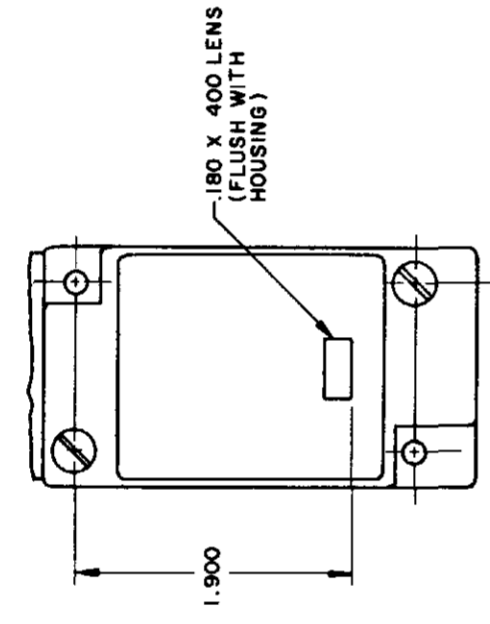


**WIRE EXTENSION TYPE 7M ACTUATOR**

TYPE LSJ2 and LSJ4

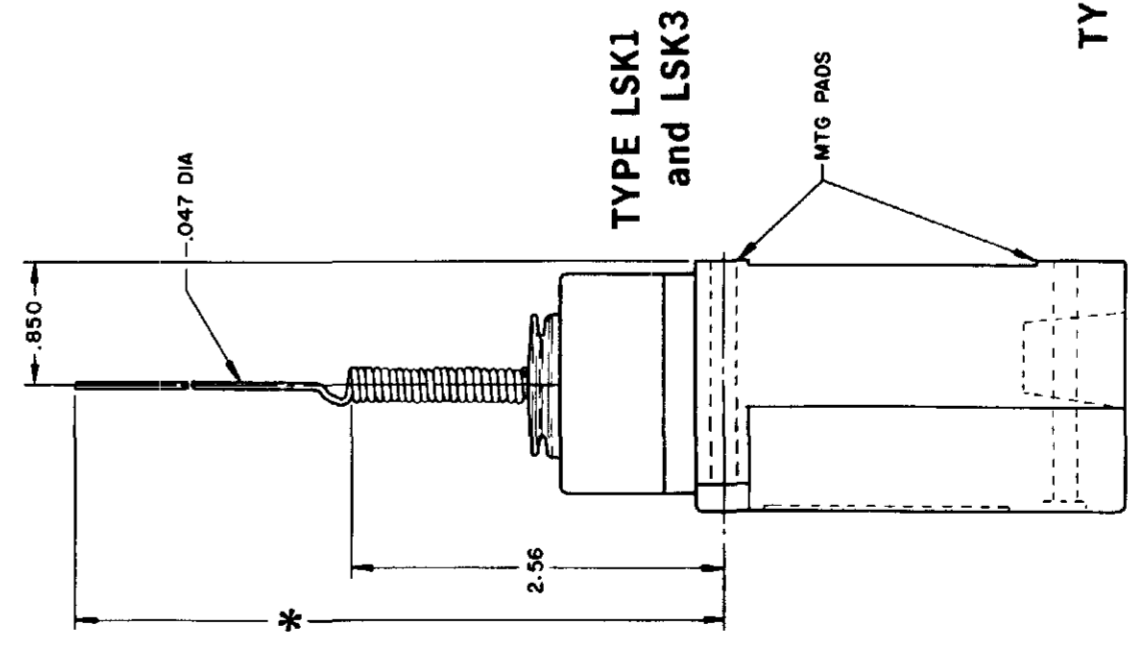
LSJ6 and LSJ7 have 1/2 - 14 NPT CONDUIT HOLE

SINGLE POLE PLUG-IN ONLY  
WITH INDICATOR LAMP



120 LAMP VOLTAGE TYPE LSJ5  
240 LAMP VOLTAGE TYPE LSJ8

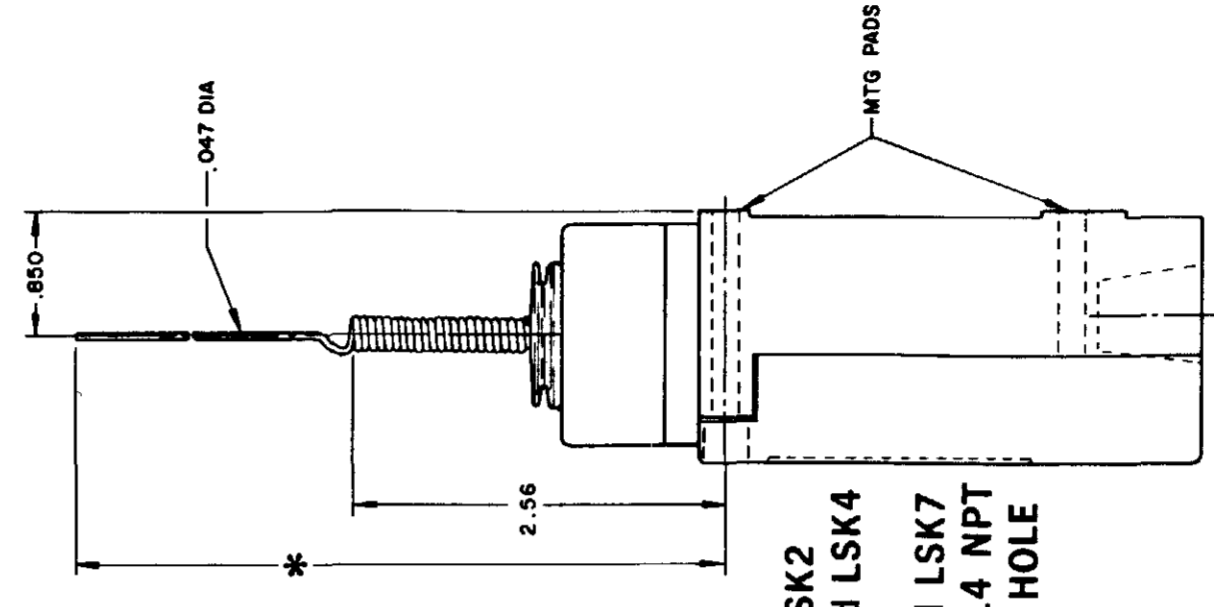
**SINGLE POLE**



TYPE LSK1  
and LSK3

**CAT WHISKER**

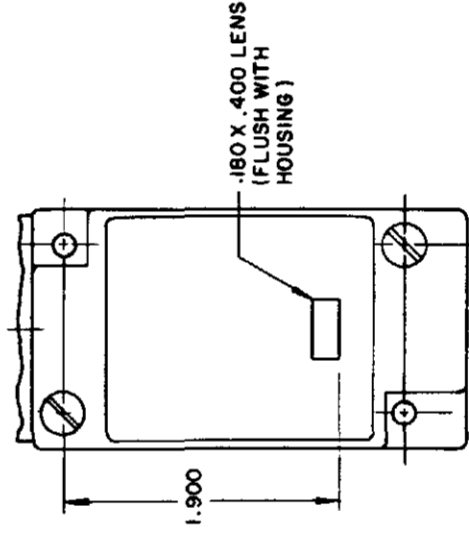
**DOUBLE POLE**



TYPE LSK2  
and LSK4

LSK6 and LSK7  
have 1/2 - 14 NPT  
CONDUIT HOLE

SINGLE POLE PLUG-IN ONLY  
WITH INDICATOR LAMP



120 LAMP VOLTAGE  
TYPE LSK5 - CAT WHISKER TYPE LSB5 - TOP ROTARY  
240 LAMP VOLTAGE  
TYPE LSK8 - CAT WHISKER TYPE LSB8 - TOP ROTARY

**\* WIRE EXTENSION REPLACEMENT ACTUATOR**

- TYPE 8A ACTUATOR 5.5 IN.-LSZ 4012
- TYPE 8B ACTUATOR 7.5 IN.-LSZ 4013
- TYPE 8C COIL ACTUATOR 5.5 IN.-LSZ 4014
- ACTUATOR 9.5 IN. - LSZ 4036

**WIRE EXTENSION**

- \* TYPE 8A ACTUATOR 5.5 IN.
- TYPE 8B ACTUATOR 7.5 IN.
- TYPE 8C ACTUATOR 5.5 IN.
- TYPE 8D ROD ACTUATOR 5.5 IN.

MICRO SWITCH a Honeywell Division  
 SWITCH - ENCLOSED  
 LSA-LSW SERIES CHART 1  
 CATALOG LISTING  
 FED MFG CODE 91929

PRETRAVEL (APPROX) IN. RADIUS	CAT. WHISKER		WOBBLE STICK	
	5/16" COIL	7/16" WIRE	ROD	CABLE
2	2	4.5	1.0	1.5
OPERATING FORCE-OZ (MAX)	7.0	5.0	3.0	10.0
			7.0	5.0



REV	DATE	BY	CHKD	DESC
L	0031956			
BS	10JUL97			
B	201004			
10	18JUN00			
C	201748			
17	NOV00			
D	202198			
CST	23JAN01			
E	204871			
GJW	FEB02			
F	206581			
GLH	14OCT02			
G	206763			
CST	31OCT02			
H	207179			
GLH	14JAN03			
J	207474			
781	18FEB03			
K	0006871			
KR	11AUG04			

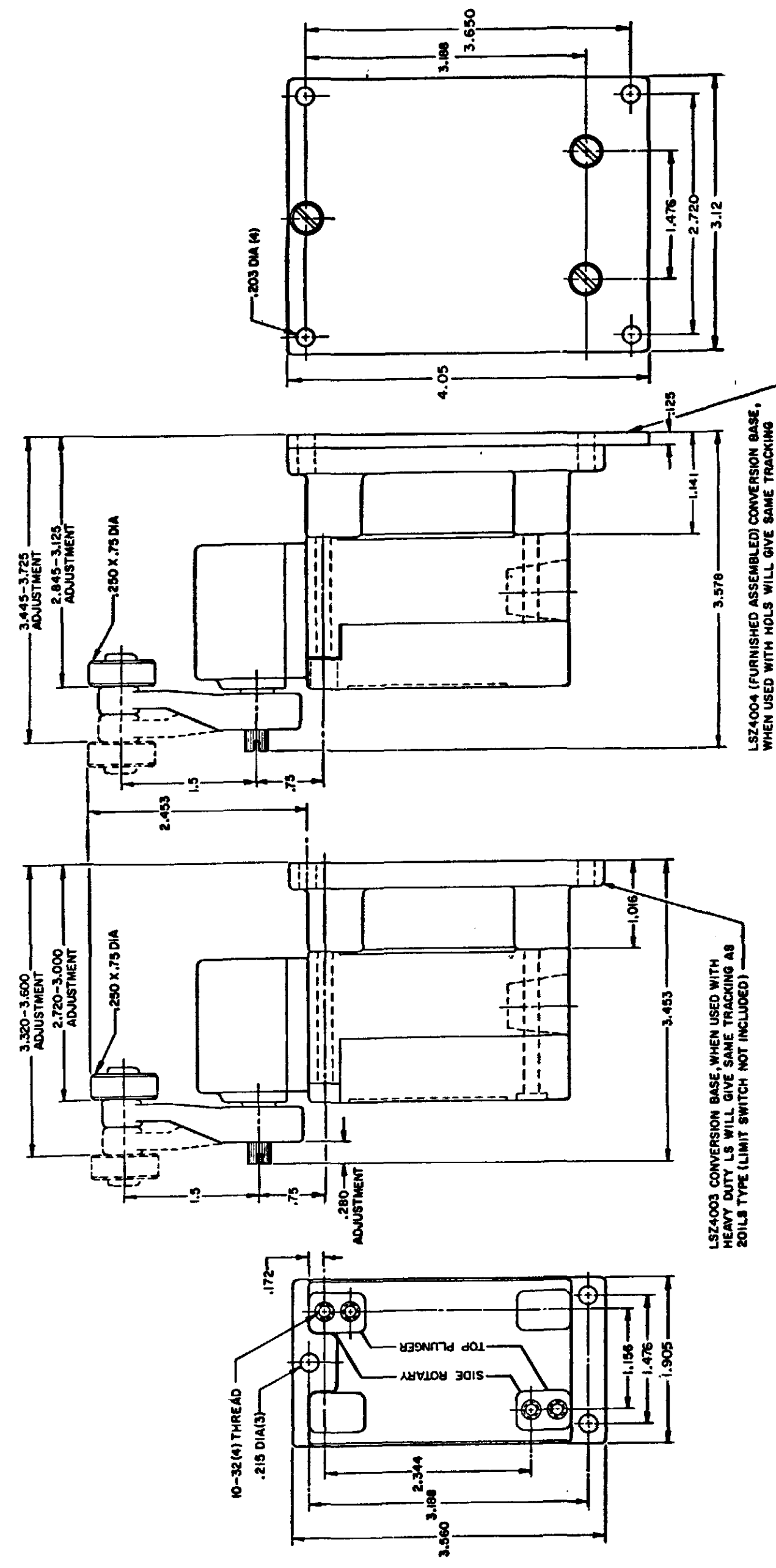
CATALOG LISTING  
**M** LSA-LSW SERIES CHART 1  
 PAGE 9 OF 10  
 ISSUE 12  
 PSR 10JUL07  
 RELEASE NO CO-78498  
 REPLACES LSA-LSW SERIES

RASTER  
 DRAWN  
 MAM 15 JUN 94  
 CHECK JAF 11 JUL 94  
 CHECK AK 11 AUG 04

# CONVERSION BASES

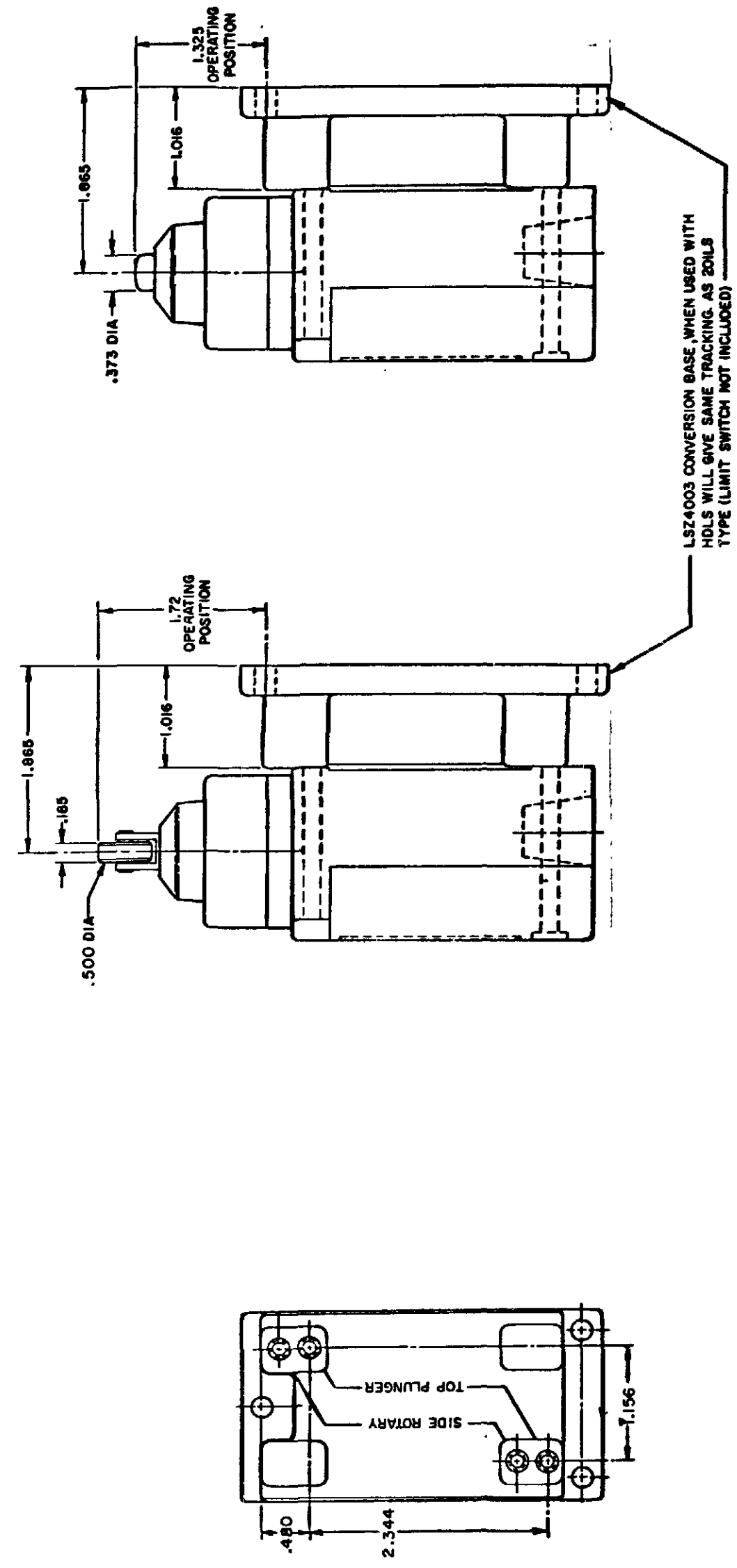
## SINGLE POLE (SIDE ROTARY) LSZ 4003

## DOUBLE POLE (SIDE ROTARY) LSZ 4004



NOTE  
 SEE OTHER PAGES OF LSA-LSW  
 (M) DRAWING FOR DIMENSION OF LIMITS

## SINGLE POLE TOP PLUNGER LSZ 4003



NOTE  
 SEE OTHER PAGES OF LSA-LSW  
 (M) DRAWING FOR DIMENSION OF  
 LIMIT SWITCH

SCALE FULL  
 DO NOT SCALE PRINT

THIS DRAWING COVERS A PROPRIETARY ITEM AND IS THE PROPERTY OF MICRO SWITCH, A DIVISION OF HONEYWELL. THIS DRAWING IS NOT TO BE COPIED OR USED WITHOUT THE APPROVAL OF MICRO SWITCH.

<b>MICRO SWITCH</b> a Honeywell Division	SWITCH - ENCLOSED	CATALOG LISTING <b>LSA-LSW SERIES</b> CHART 1
---	-------------------	---

PAGE 9 OF 10

FED MFG CODE 91829

HEAD TYPE	CELLULUBE	DETERGENT	5 STAR	ASTM #1	ASTM #2	ASTM #3	ASTM #4	HOUGHTON SAFE 271	HOUGHTON SAFE 820	HOUGHTON SAFE 1010	HOUGHTON SAFE 1055	MINERAL OIL	PETR. OIL CRUDE	SILICON GR & OIL	SUNSAFE	BEER	STODDARD SOLV.	CHLORINATED SOLVENTS	CITRIC ACID	D-ESTER SYN. LUBRICANTS	OZONE	HYDRAUL	PROGUARD	PETRO. BASE HYDRAULIC OIL	LARD OIL	SILICATE ESTERS
LSA	4	1	1	1	1	2	1	4	1	1	1	1	1	1	1	4	1	2	4	4	4	4	1	1	2	
LSB	4	1	1	1	1	2	1	4	1	1	1	1	1	1	1	4	1	2	4	4	4	4	1	1	2	
LSC	4	2	2	1	2	4	4	2	4	2	2	1	2	1	2	4	1	4	3	4	4	2	2	2	2	
LSD	4	2	2	1	2	4	4	2	4	2	2	1	2	1	2	4	1	4	3	4	4	2	2	2	2	
LSE	4	2	2	1	2	4	4	2	4	2	2	1	2	1	2	4	1	4	3	4	4	2	2	2	2	
LSF	4	2	2	1	2	4	4	2	4	2	2	1	2	1	2	4	1	4	2	4	4	2	2	2	2	
LSG	4	2	2	1	2	4	4	2	4	2	2	1	2	1	2	4	1	4	3	4	4	2	2	2	2	
LSH	4	1	1	1	1	2	1	4	1	1	1	1	1	1	1	4	1	2	4	4	4	1	1	2	2	
LSJ	4	2	2	1	2	4	4	2	4	2	2	1	2	1	2	4	1	4	3	4	4	2	2	2	2	
LSK	4	2	2	1	2	4	4	2	4	2	2	1	2	1	2	4	1	4	3	4	4	2	2	2	2	
LSL	4	1	1	1	1	2	1	4	1	1	1	1	1	1	1	4	1	2	4	4	4	1	1	2	2	
LSM	4	1	1	1	1	2	1	4	1	1	1	1	1	1	1	4	1	2	4	4	4	1	1	2	2	
LSN	4	1	1	1	1	2	1	4	1	1	1	1	1	1	1	4	1	2	4	4	4	1	1	2	2	
LSP	4	1	1	1	1	2	1	4	1	1	1	1	1	1	1	4	1	2	4	4	4	1	1	2	2	
LSR	4	1	1	1	1	2	1	4	1	1	1	1	1	1	1	4	1	2	4	4	4	1	1	2	2	
LSV	4	2	2	1	2	4	4	2	4	2	2	1	2	1	2	4	1	4	3	4	4	2	2	2	2	
LSW	4	2	2	1	2	4	4	2	4	2	2	1	2	1	2	4	1	4	2	4	4	2	2	2	2	
LST	UNSEALED DEVICE, INTENDED TO MEET NEMA 1 ONLY																									
LSS	UNSEALED DEVICE, INTENDED TO MEET NEMA 1 ONLY																									

CODE: 1 SATISFACTORY 2 FAIR 3 DOUBTFUL 4 UNSATISFACTORY

TYPES	LOW LIMIT	HIGH LIMIT
LSA	+10°F	+250°F
LSB	+30°F	+250°F
LSC	+10°F	+200°F
LSD	+10°F	+200°F
LSE	+10°F	+200°F
LSF	+10°F	+200°F
LSG	+30°F	+200°F
LSH	+30°F	+250°F
LSJ	+10°F	+200°F
LSK	+10°F	+200°F
LSL	+10°F	+250°F
LSM	+30°F	+250°F
LSN	+30°F	+250°F
LSP	+10°F	+250°F
LSR	+30°F	+250°F
LSV	+10°F	+200°F
LSW	+10°F	+200°F
LST	+30 F	+170°F
LSS	+30°F	+170°F

CATALOG LISTING  
**M** LSA-LSW SERIES CHART 1  
 PAGE 10 OF 10  
 ISSUE 12  
 PSR 10JUL07  
 CHECK 11AUG04  
 REVISIONS:  
 L 0031956 BS 10JUL07  
 B 201004 CS 10 AUG 00  
 C 201748 CS 17 NOV 00  
 D 202198 CS 23 JAN 01  
 E 204871 G J W FEB 02  
 F 206581 GLH 14 OCT 02  
 G 206783 CS 31 OCT 02  
 H 207179 GLH 14 JAN 03  
 J 207474 TSM 18 FEB 03  
 K 0006871 KR 11AUG04  
 DRAWN MAM 15 JUN 94  
 CHECK JAF 11 JUL 94  
 RASTER

THIS DRAWING COVERS A PROPRIETARY ITEM AND IS THE PROPERTY OF MICRO SWITCH A DIVISION OF HONEYWELL THIS DRAWING IS NOT TO BE COPIED OR USED WITHOUT THE APPROVAL OF MICRO SWITCH

**MICRO SWITCH**  
a Honeywell Division

SWITCH - ENCLOSED

LSA-LSW SERIES  
CHART 1

FED. MFG. CODE 91929



Компания «ЭлектроПласт» предлагает заключение долгосрочных отношений при поставках импортных электронных компонентов на взаимовыгодных условиях!

Наши преимущества:

- Оперативные поставки широкого спектра электронных компонентов отечественного и импортного производства напрямую от производителей и с крупнейших мировых складов;
- Поставка более 17-ти миллионов наименований электронных компонентов;
- Поставка сложных, дефицитных, либо снятых с производства позиций;
- Оперативные сроки поставки под заказ (от 5 рабочих дней);
- Экспресс доставка в любую точку России;
- Техническая поддержка проекта, помощь в подборе аналогов, поставка прототипов;
- Система менеджмента качества сертифицирована по Международному стандарту ISO 9001;
- Лицензия ФСБ на осуществление работ с использованием сведений, составляющих государственную тайну;
- Поставка специализированных компонентов (Xilinx, Altera, Analog Devices, Intersil, Interpoint, Microsemi, Aeroflex, Peregrine, Syfer, Eurofarad, Texas Instrument, Miteq, Cobham, E2V, MA-COM, Hittite, Mini-Circuits, General Dynamics и др.);

Помимо этого, одним из направлений компании «ЭлектроПласт» является направление «Источники питания». Мы предлагаем Вам помощь Конструкторского отдела:

- Подбор оптимального решения, техническое обоснование при выборе компонента;
- Подбор аналогов;
- Консультации по применению компонента;
- Поставка образцов и прототипов;
- Техническая поддержка проекта;
- Защита от снятия компонента с производства.



#### Как с нами связаться

**Телефон:** 8 (812) 309 58 32 (многоканальный)

**Факс:** 8 (812) 320-02-42

**Электронная почта:** [org@eplast1.ru](mailto:org@eplast1.ru)

**Адрес:** 198099, г. Санкт-Петербург, ул. Калинина, дом 2, корпус 4, литера А.