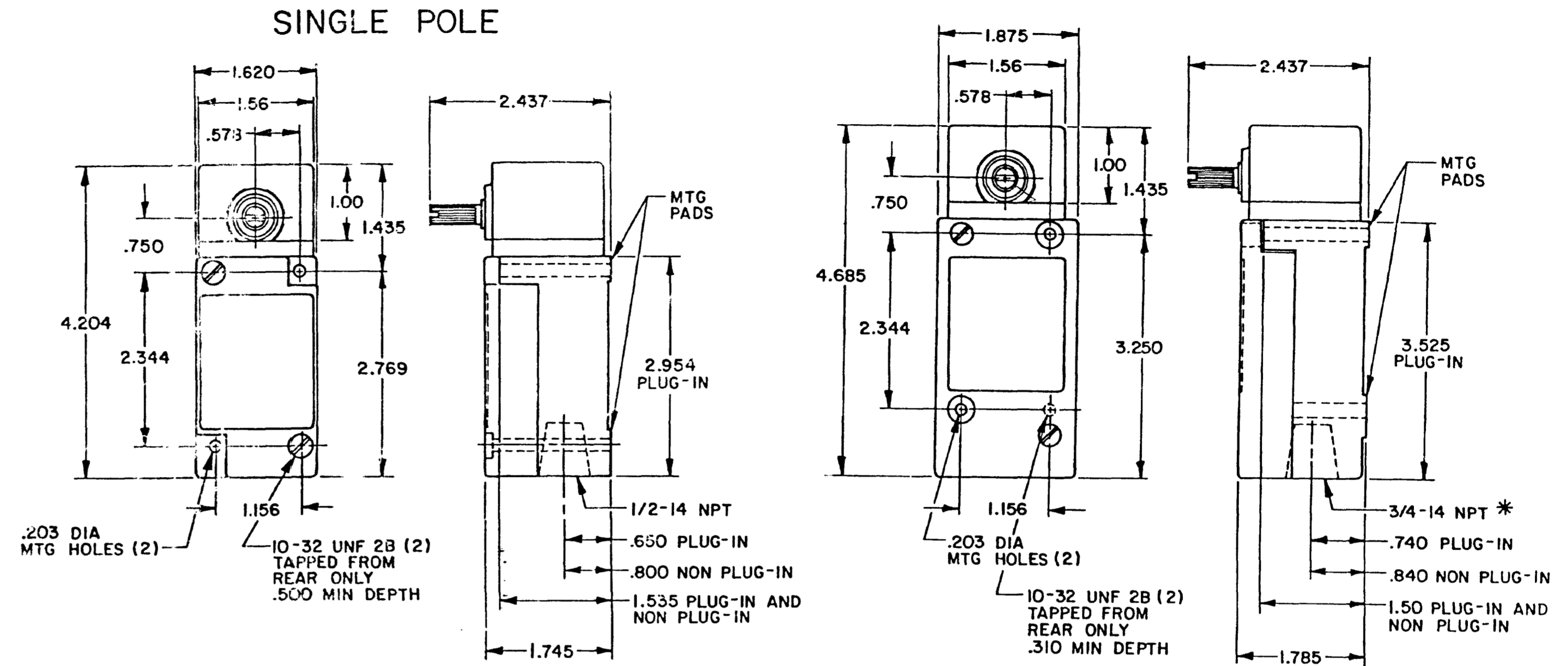


OPERATING CHARACTERISTICS	LSA MOMENTARY		LSR MOMENTARY LOW TORQUE		LSN MAINTAINED	LSP MOMENTARY LOW PRETRAVEL AND DIFF. TRAVEL		LSH MOMENTARY LOW PRETRAVEL AND LOW TORQUE	
	ANGLE	TORQUE	ANGLE	TORQUE	ANGLE	ANGLE	TORQUE	ANGLE	TORQUE
PRETRAVEL(MAX)	15°		15°		15°	9°		9°	
OVERTRAVEL(MIN)	60°		60°		20°	66°		66°	
DIFFERENTIAL TRAVEL(MAX)	SINGLE POLE		SINGLE POLE		40°	SINGLE POLE		SINGLE POLE	
	5°		5°			3°		3°	
TOTAL TRAVEL (REF)	SINGLE POLE		SINGLE POLE		90°	SINGLE POLE		SINGLE POLE	
	75°		75°			75°		75°	
OPERATING TORQUE(MAX)	4 IN. LBS		1.7 IN. LBS		4 IN. LBS	4 IN. LBS		1.7 IN. LBS	
FULL TRAVEL TORQUE(MAX)	4 IN. LBS		1.7 IN. LBS			4 IN. LBS		1.7 IN. LBS	
OPERATING CHARACTERISTICS	LSU LOW PRETRAVEL		LSL SEQUENCE DOUBLE POLE ONLY		LSM CENTER NEUTRAL DOUBLE POLE ONLY	LST MOMENTARY	LSS GRAVITY RETURN		
	ANGLE	TORQUE	ANGLE	TORQUE	ANGLE	ANGLE	TORQUE	TORQUE	
PRETRAVEL(MAX)	5°		1ST STEP 15° 2ND STEP 10° ADD'L		18°	15°		NOT APPLICABLE	
OVERTRAVEL(MIN)	70°		48°		57°	60°		NOT APPLICABLE	
DIFFERENTIAL TRAVEL(MAX)	SINGLE POLE		SINGLE POLE		10°	SINGLE POLE		12°	
	5°		5°			5°			
TOTAL TRAVEL (REF)	SINGLE POLE		SINGLE POLE		75°	SINGLE POLE		360°	
	75°		75°			75°			
OPERATING TORQUE(MAX)	4 IN. LBS		4 IN. LBS		4 IN. LBS	12 IN-OZ		5 IN-OZ	
FULL TRAVEL TORQUE(MAX)	4 IN. LBS		4 IN. LBS		4 IN. LBS	12 IN-OZ		5 IN-OZ	

**SIDE ROTARY**

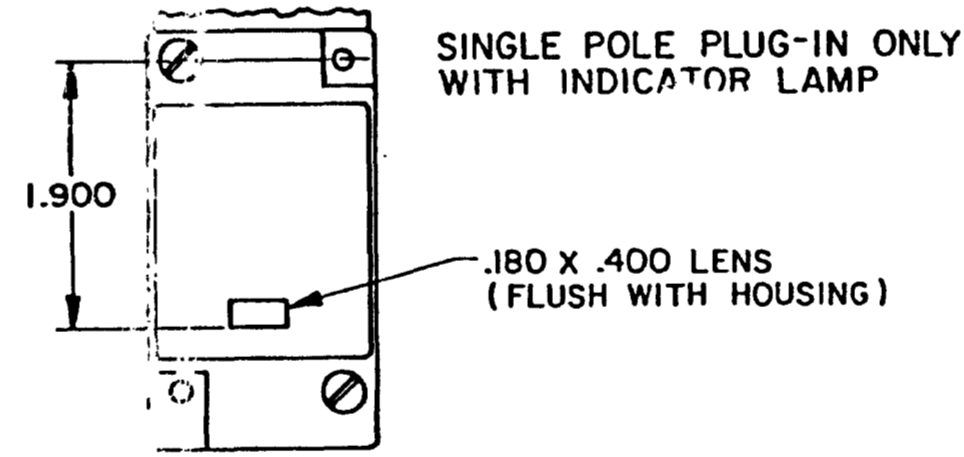
**DOUBLE POLE**



TYPE: LSA1, LSH1, LSN1, LSP1, LSR1  
 LSA3, LSH3, LSN3, LSP3, LSR3  
 LSS1, LST1

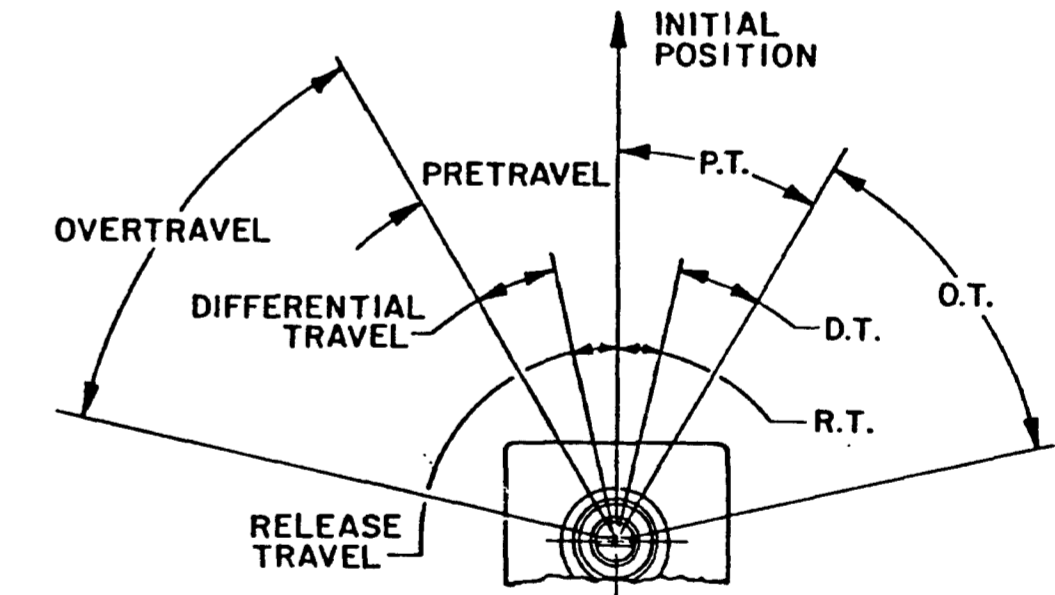
TYPE: LSA2, LSH2, LSM2, LSN2, LSP2, LSR2  
 LSA4, LSH4, LSM4, LSN4, LSP4, LSR4

\*LSA6, LSH6, LSM6, LSN6, LSP6, LSR6  
 LSA7, LSH7, LSM7, LSN7, LSP7, LSR7 HAVE  
 1/2-14 NPT CONDUIT HOLE

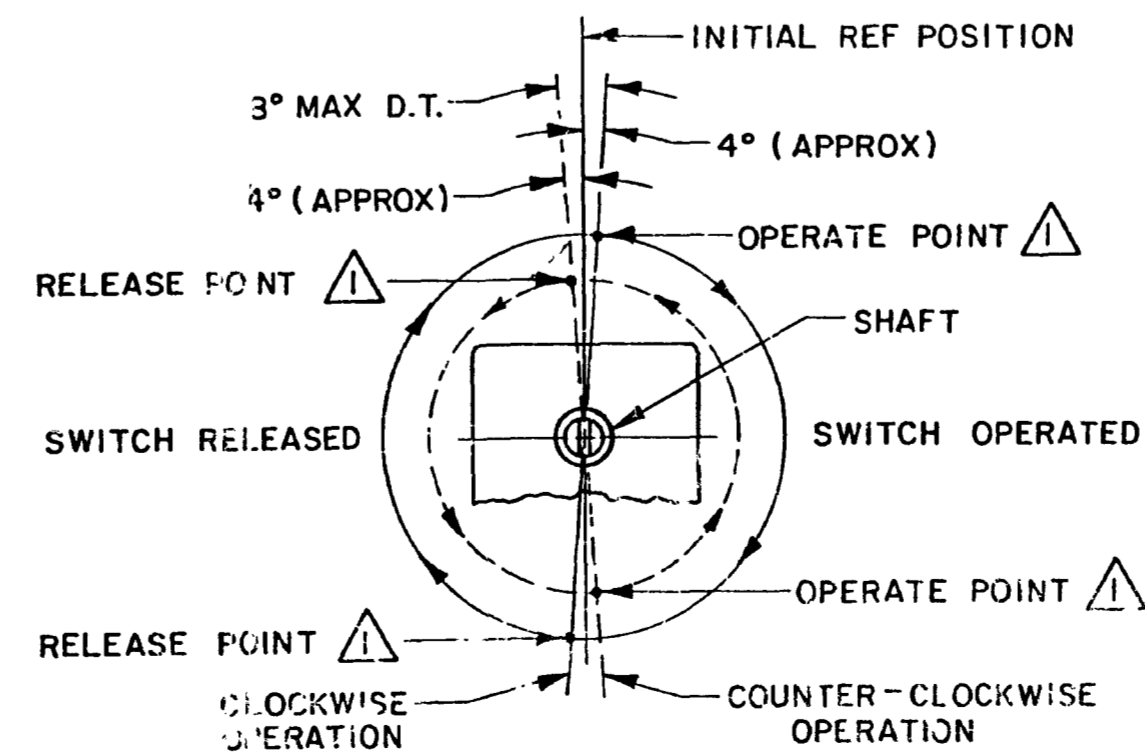


120 LAMP VOLTAGE -  
 TYPE LSA5, LSH5, LSN5, LSP5, LSR5  
 240 LAMP VOLTAGE -  
 TYPE LSA8, LSH8, LSN8, LSP8, LSR8

**OPERATING DATA-SIDE ROTARY**

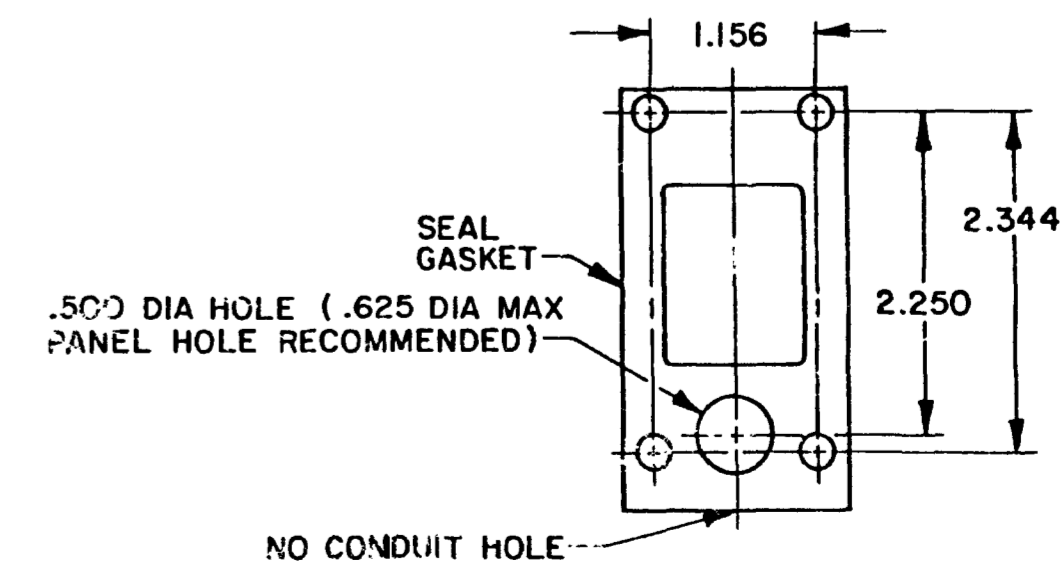


**OPERATING DATA SIDE ROTARY-GRAVITY RETURN**



NOTE  
 OPERATE AND RELEASE POINTS WILL EXCHANGE LOCATIONS IF SHAFT IS ROTATED 180°

**MANIFOLD MOUNT (PLUG-IN ONLY) SINGLE POLE AND DOUBLE POLE TYPE LSA THROUGH LSW SERIES**



THIRD ANGLE PROJECTION

SCALE	NONE
DO NOT SCALE PRINT	
UNLESS OTHERWISE SPECIFIED TOLERANCES ARE	
ONE PLACE (.0)	±.030
TWO PLACES (.00)	±.015
THREE PLACES (.000)	±.005
ANGLES	±
WEIGHT	

PAGE 1 OF 10

THIS DRAWING COVERS A PROPRIETARY ITEM AND IS THE PROPERTY OF MICRO SWITCH A DIVISION OF HONEYWELL. THIS DRAWING IS NOT TO BE COPIED OR USED WITHOUT THE APPROVAL OF MICRO SWITCH.

**MICRO SWITCH**  
 a Honeywell Division

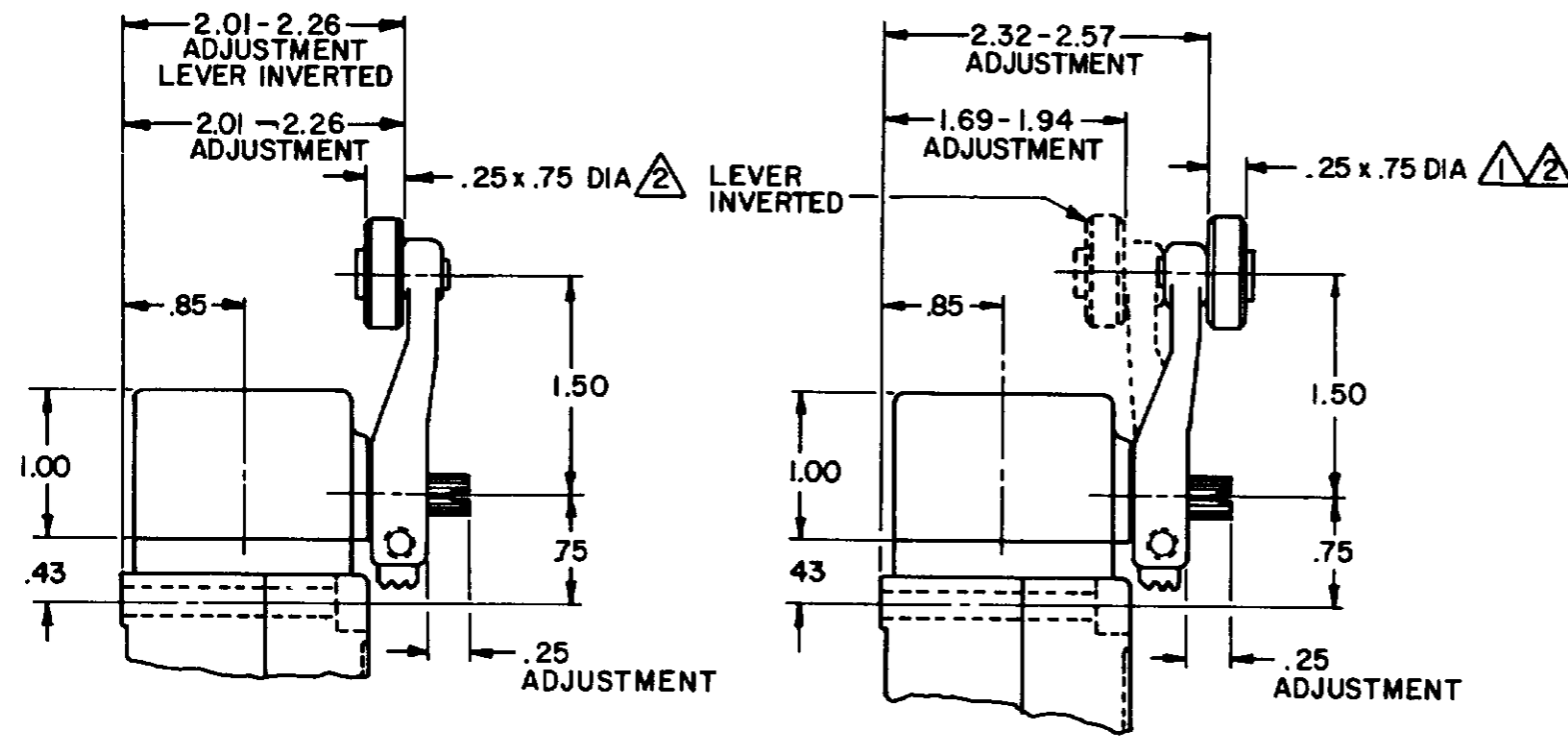
**SWITCH - ENCLOSED**

**LSA-LSW SERIES**  
**CHART 1**

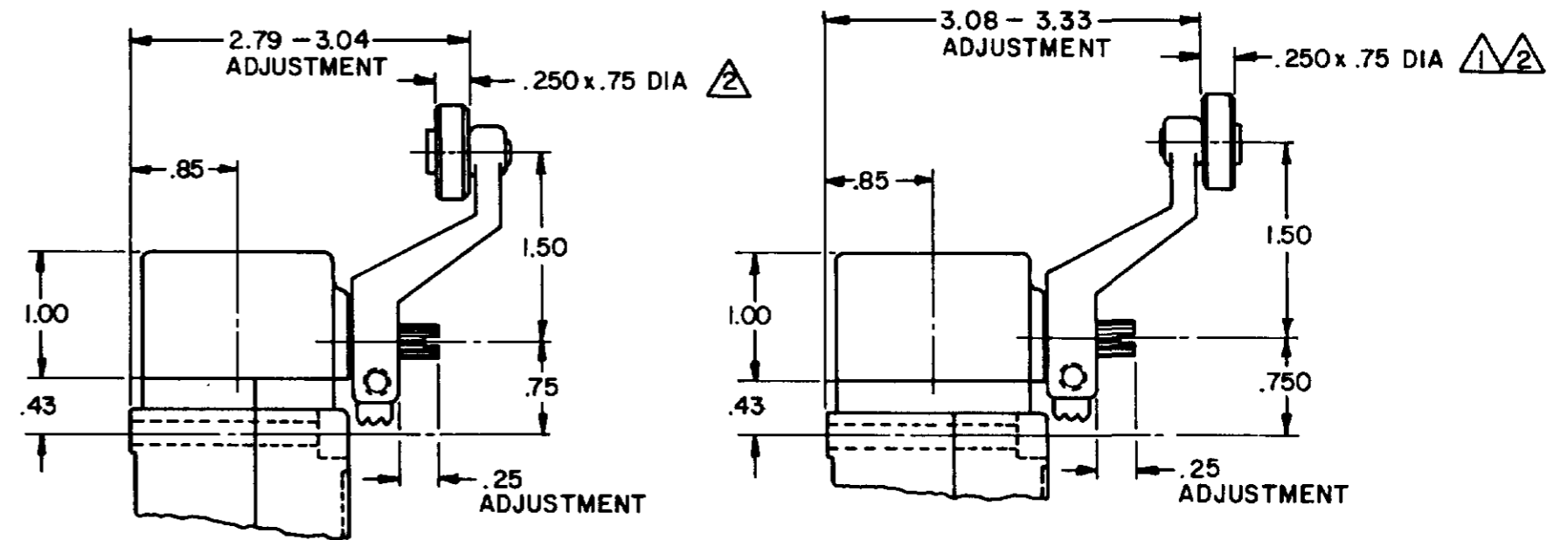
FED. MFG. CODE 91929

CATALOG LISTING  
**LSA-LSW SERIES CHART 1**  
 ISSUE 12  
 DRAWN BY MAM  
 CHECKED BY JAF  
 DATE 15 JUN 94  
 11AUG04  
 11 JUL 94  
 207474  
 18 FEB 83  
 0906874  
 11A0381  
 201004  
 10 AUG 83  
 201748  
 17 FEB 83  
 202198  
 20 JUN 81  
 204871  
 30 MAR 80  
 206851  
 201748  
 14 DEC 79  
 206763  
 201748  
 31 OCT 79  
 207179  
 14 JAN 78  
 207474  
 18 FEB 83  
 0906874  
 11A0381  
 201004  
 10 AUG 83  
 201748  
 17 FEB 83  
 202198  
 20 JUN 81  
 204871  
 30 MAR 80  
 206851  
 201748  
 14 DEC 79  
 206763  
 201748  
 31 OCT 79  
 207179  
 14 JAN 78  
 207474  
 18 FEB 83  
 0906874  
 11A0381

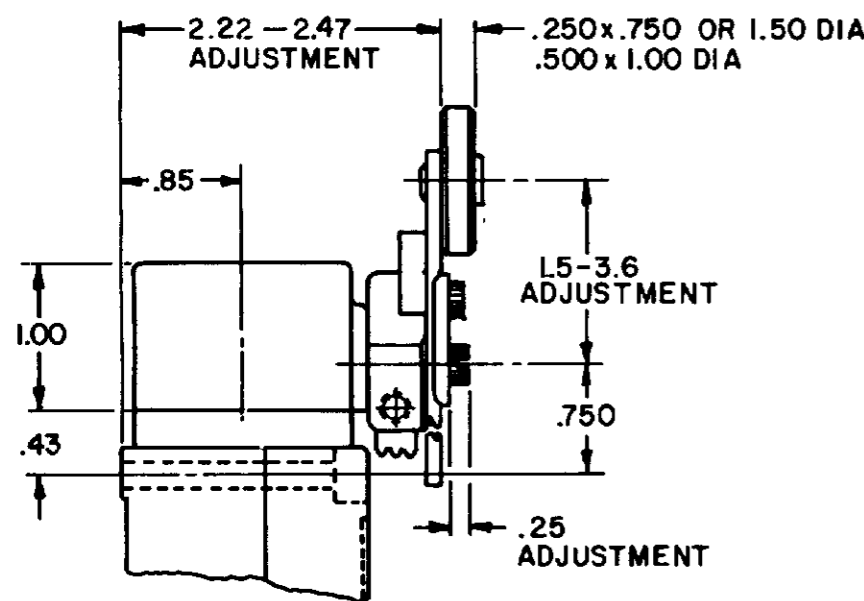
SIDE ROTARY CAM TRACKING



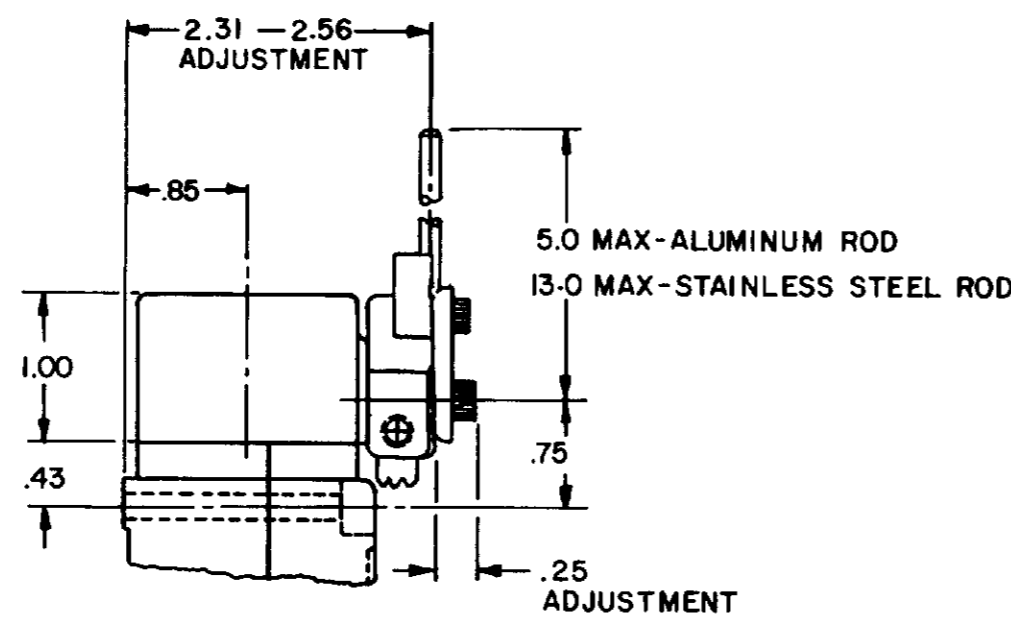
LSZ51 TYPE LEVERS



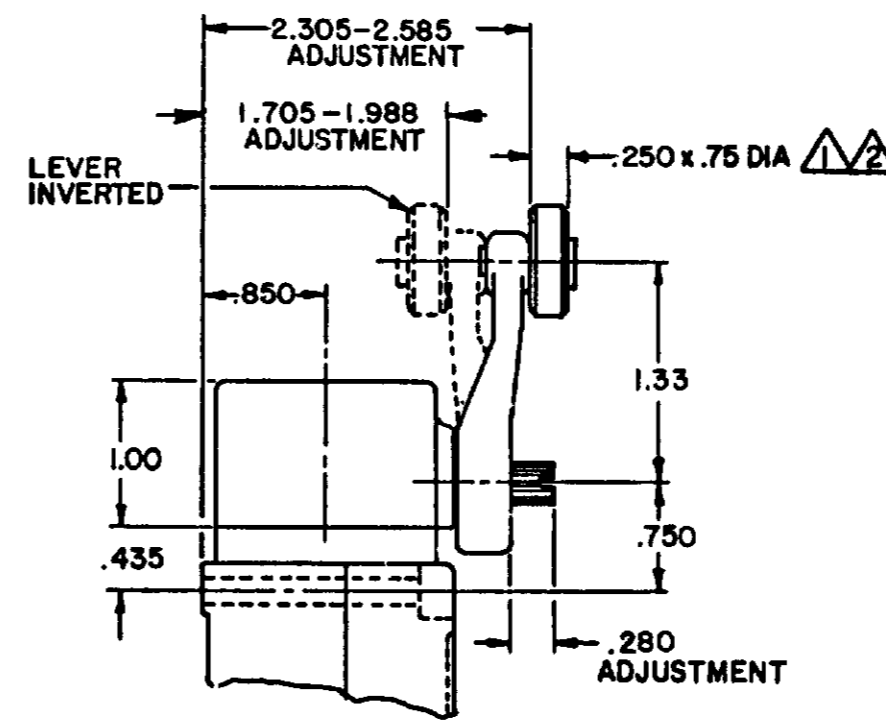
LSZ55 TYPE LEVERS



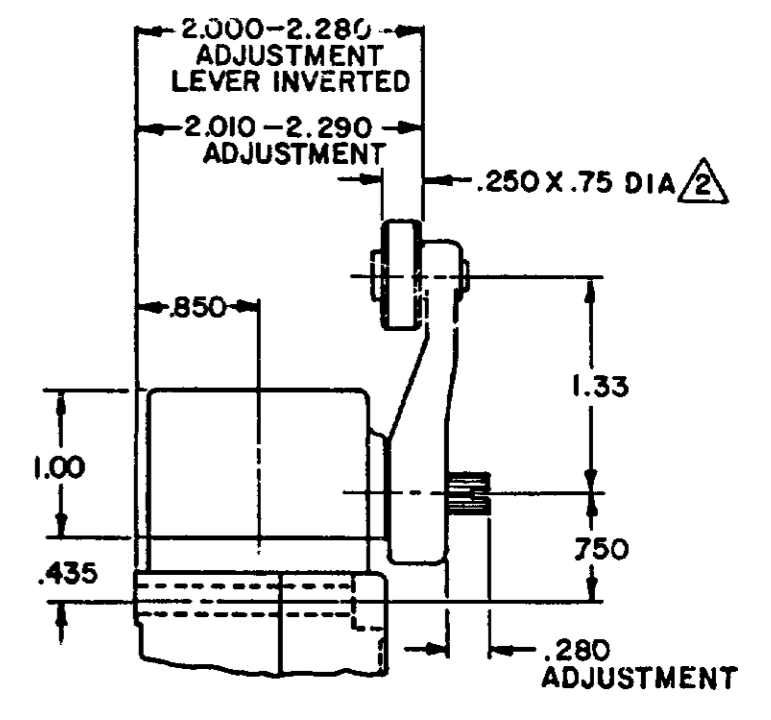
LSZ52 TYPE LEVER



LSZ54 TYPE LEVER



OPEN MOUNTED ROLLER



CLOSED MOUNTED ROLLER

LSZ59 TYPE LEVERS

NOTES

- 1 ALSO AVAILABLE IN Ø.250 X 1.500 NYLON, BUT LEVER CANNOT BE INVERTED
- 2 FOR ADDITIONAL ROLLER WIDTHS AND/OR DIAMETERS REFER TO "M" DRAWING
- 3 - FOR ADDITIONAL TYPES OF ROLLERS AND LEVERS REFER TO LSZ CHART 1 "M" DRAWING

CATALOG LISTING LSA-LSW SERIES CHART 1 PAGE 2 OF 10  
 ISSUE 12  
 REVISIONS  
 L 0031956  
 BS 10 JUL 07  
 B 201004  
 C SL 10 AUG 00  
 C 201748  
 C SL 17 NOV 00  
 D 202198  
 C SL 23 JAN 01  
 E 204871  
 C SL FEB 02  
 F 206581  
 GLH 14 OCT 02  
 G 206763  
 C SL 31 OCT 02  
 H 207179  
 GLH 14 JAN 03  
 J 207474  
 SLH 18 FEB 03  
 K 0006871  
 RR 118004  
 DRAWN MAM 15 JUN 94  
 CHECK JAF 11 JUL 94  
 PSR 10 JUL 07  
 RELEASE NO. CO-78498  
 REPLACES LSA-LSW SERIES

THIS DRAWING COVERS A PROPRIETARY ITEM AND IS THE PROPERTY OF MICRO SWITCH, A DIVISION OF HONEYWELL. THIS DRAWING IS NOT TO BE COPIED OR USED WITHOUT THE APPROVAL OF MICRO SWITCH.

**MICRO SWITCH**  
a Honeywell Division

SWITCH - ENCLOSED

CATALOG LISTING  
**LSA-LSW SERIES**  
CHART 1

FED MFG CODE 91929

THIRD ANGLE PROJECTION	
SCALE NONE	
DO NOT SCALE PRINT	
UNLESS OTHERWISE SPECIFIED TOLERANCES ARE	
ONE PLACE ( )	±.030
TWO PLACES (00)	±.015
THREE PLACES (0.000)	±.005
ANGLES	±
WEIGHT	

ISSUE 12 PSR 10JUL07 RELEASE NO CO-78498 REPLACES LSA-LSW SERIES

CATALOG LISTING  
**M** LSA-LSW SERIES CHART 1  
PAGE 3 OF 10

REV. SIONS  
L 0031958  
M 1 JUL 07  
B 201004  
C 201748  
D 202198  
E 204871  
F 206581  
G 206763  
H 207179  
J 207474  
K 0006871

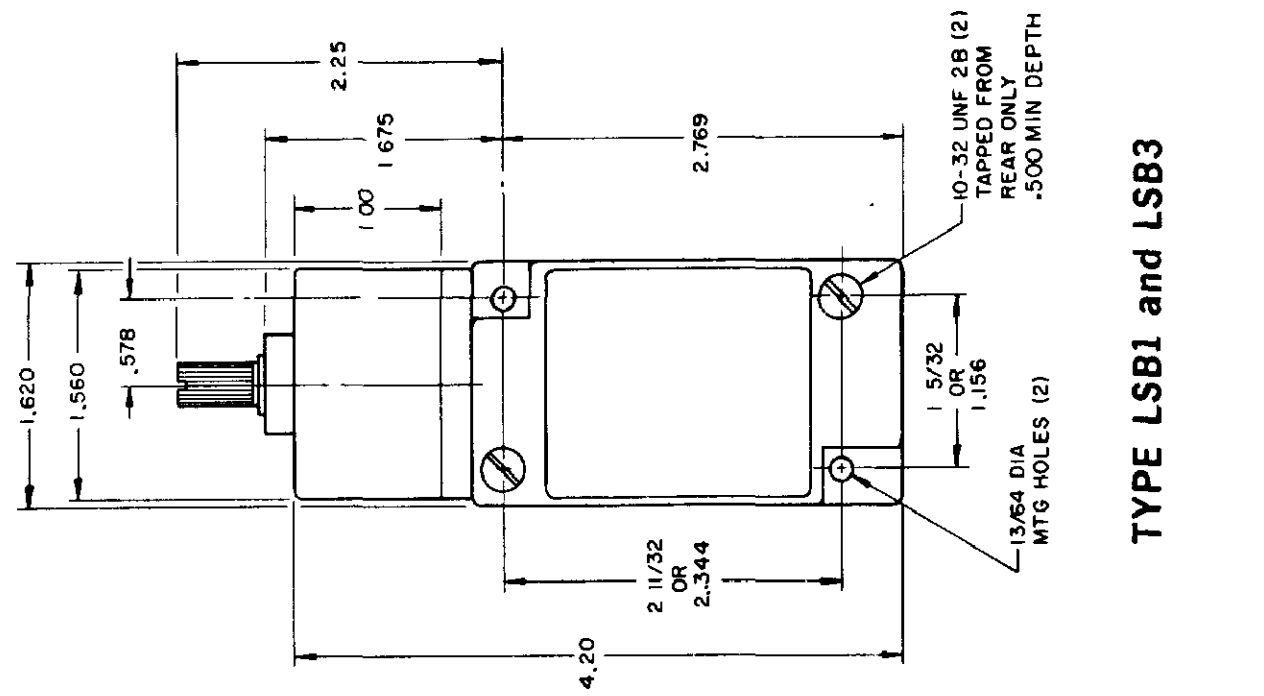
CHECK 11AUG04  
CHECK 1 JUL 94  
CHECK JAF

MAM 15 JUN 94

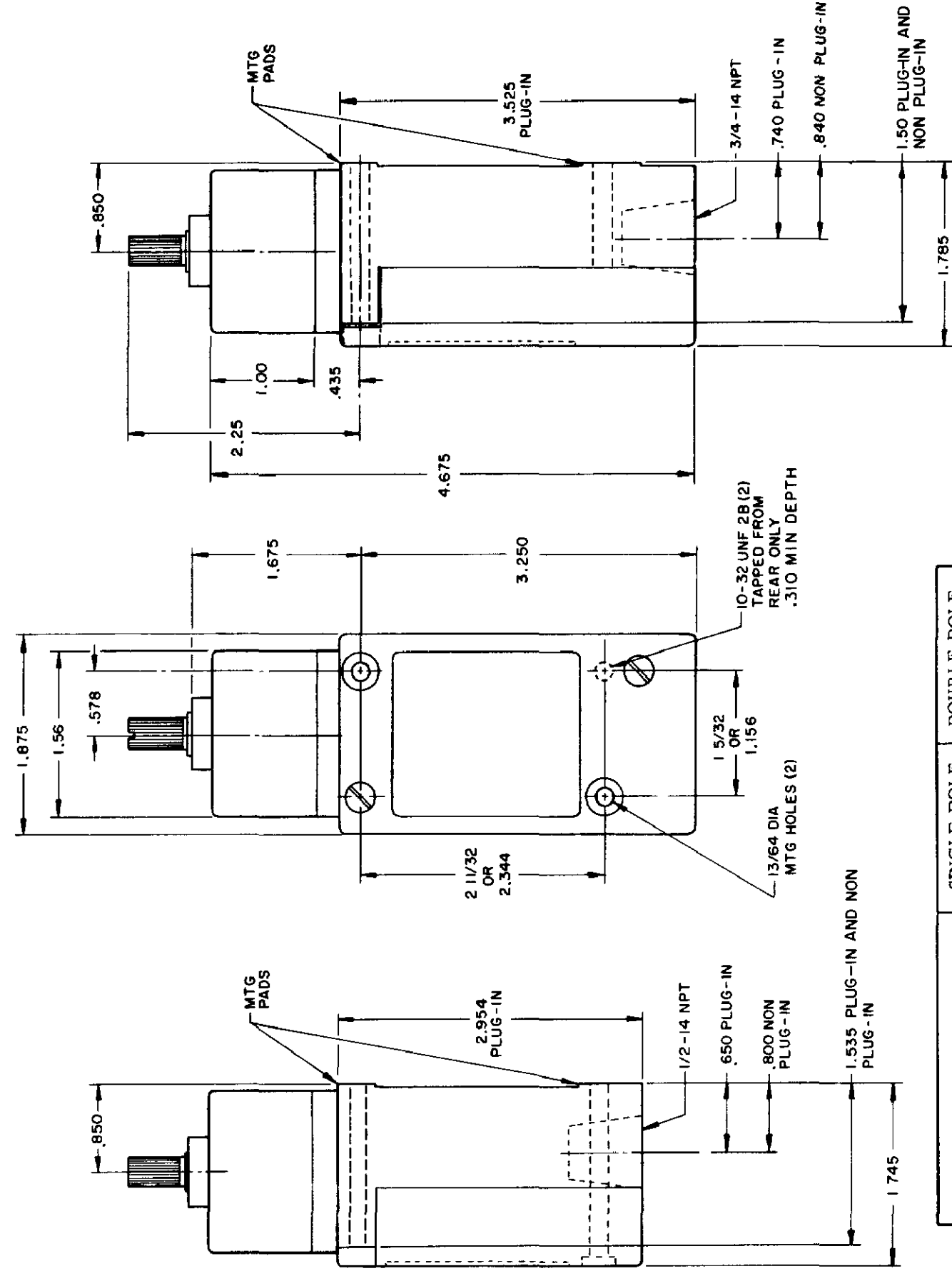
**TOP ROTARY**

**SINGLE POLE**

**DOUBLE POLE**



**TYPE LSB1 and LSB3**



**TYPE LSB2 and LSB4**  
LSB6 and LSB7 have 1/2 - 14 NPT CONDUIT HOLE

	SINGLE POLE	DOUBLE POLE
PRETRAVEL MAX	25°	25°
OVERTRAVEL MIN	110°	110°
DIFFERENTIAL TRAVEL MAX	10°	12°
OPERATING TORQUE MAX	2 5 IN. LBS	2 5 IN. LBS
TOTAL TRAVEL (REF)	135°	135°

**ELECTRICAL RATINGS**

A.C. VOLTAGE	AMPS AT 35 POWER FACTOR			
	SINGL POLE		DOUBLE POLE	
	MAKE	BREAK	MAKE	BREAK
120	60	6	30	3
240	30	3	15	1.5
480	15	1.5	7.5	7.5
600	12	1.2	6	6

D.C. VOLTAGE	MAKE & BREAK	
	INDUCTIVE	RESISTIVE
120	0.25	0.80
240	0.15	0.40

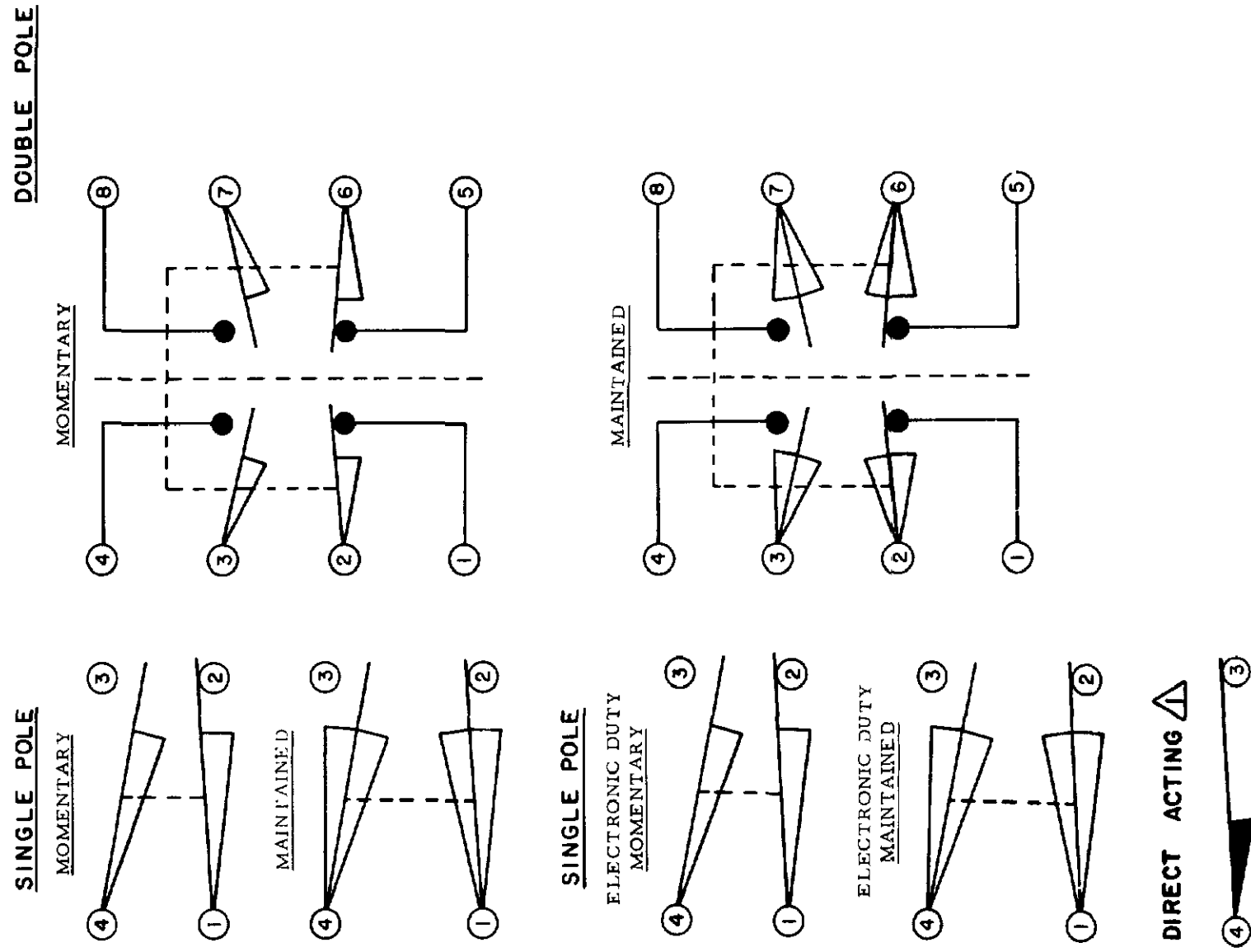
ELECTRONIC DUTY BASIC SWITCH  
10 AMP CONT.

VOLTAGE	MAKE AND BREAK AMPS
5 AC OR DC MIN	01 AMP MIN
600 AC	720 VA
240 DC	30 WATT

DIRECT ACTING (ALSO RATED AT A.C. 10 AMP CONT.)

D.C. VOLTAGE	MAKE AND BREAK AMPS	
	INDUCTIVE	RESISTIVE
30	4.2	4.2
120	1.1	1.1
240	.55	.55

**WIRING BASIC SWITCH**  
(SAME POLARITY MUST BE OBSERVED FOR EACH POLE)



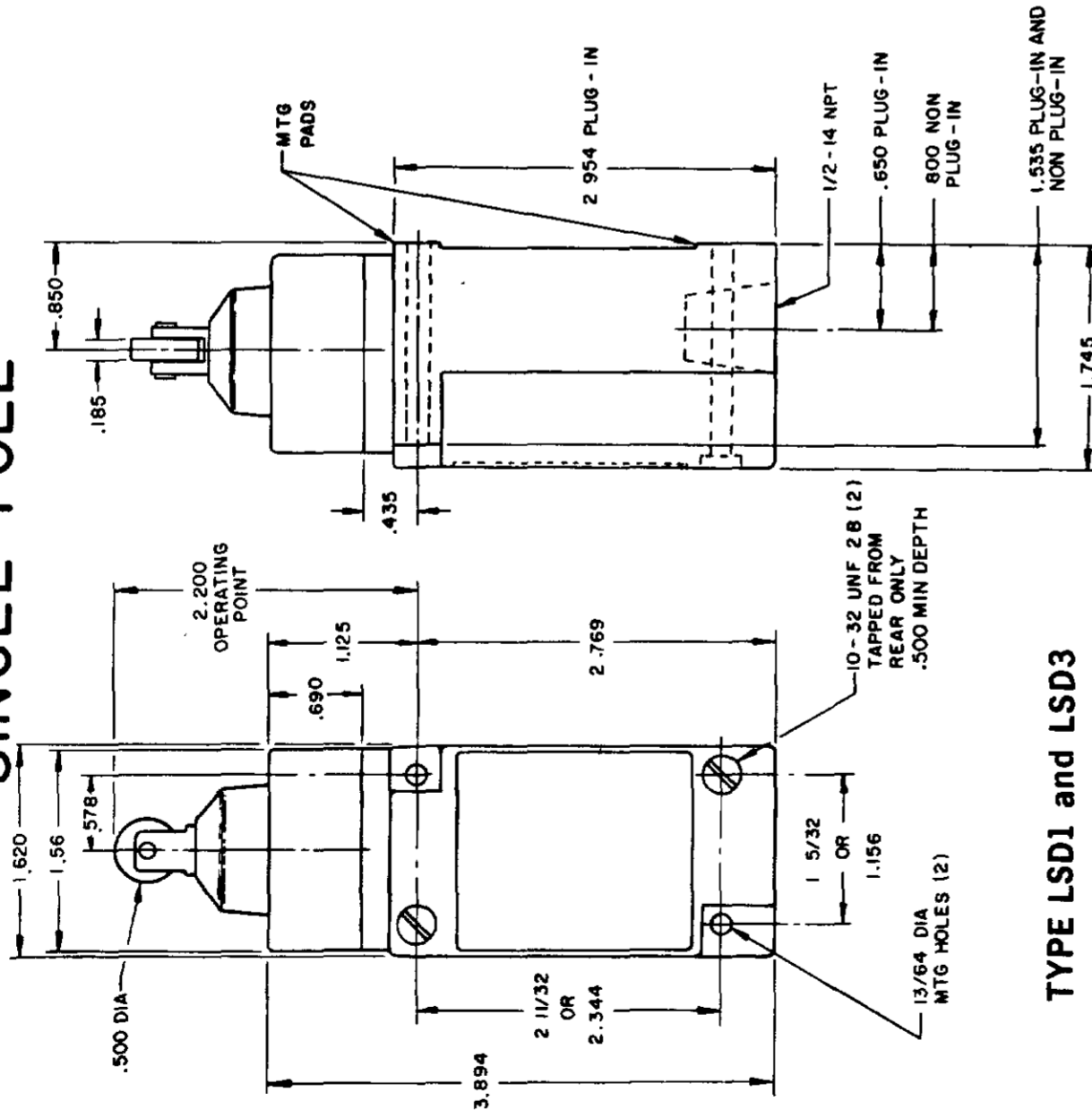
NOTES  
DIFFERENTIAL TRAVEL ON ALL OPERATING CHARACTERISTICS NOT APPLICABLE

REV	DATE	DESCRIPTION
L	0031956	
B	10 JUL 07	
B	201004	
C	10 AUG 00	
C	201748	
D	202198	
E	204871	
F	206581	
G	206763	
H	207178	
J	207474	
K	0006871	

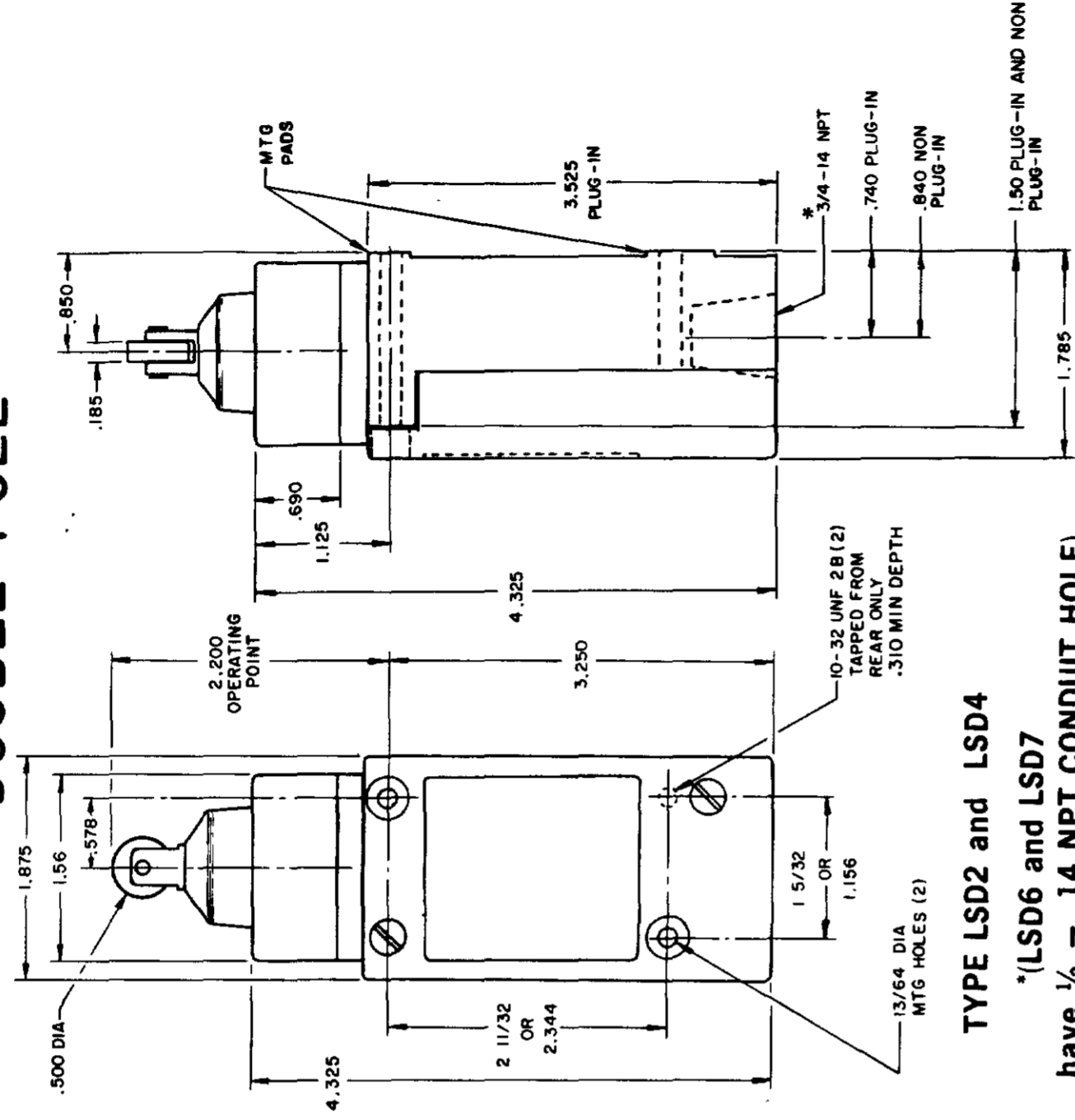
PLUNGER TYPE TOP

SINGLE POLE

DOUBLE POLE

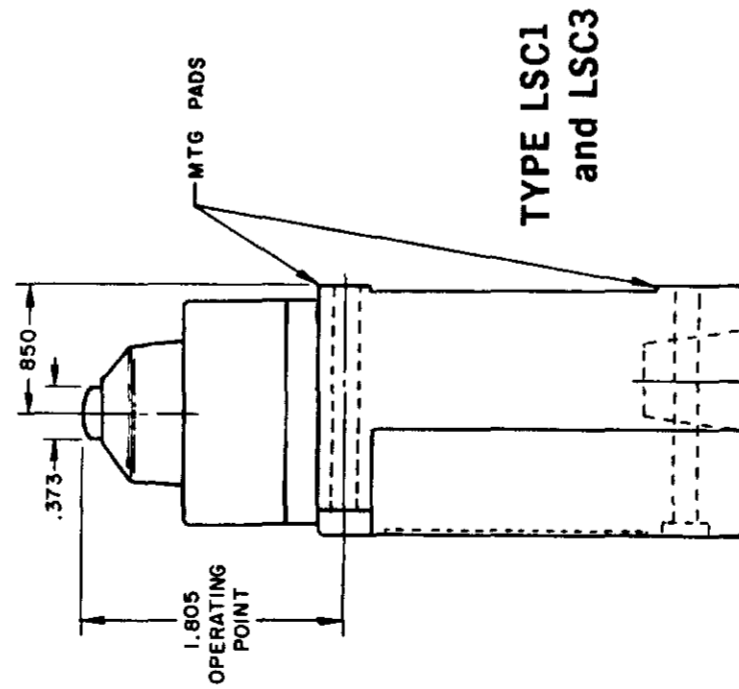


TYPE LSD1 and LSD3

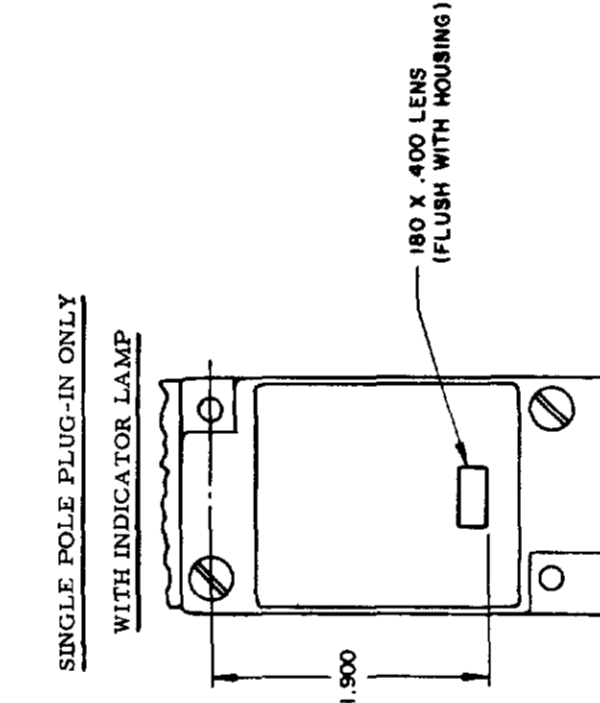


TYPE LSD2 and LSD4

\*(LSD6 and LSD7 have 1/2 - 14 NPT CONDUIT HOLE)

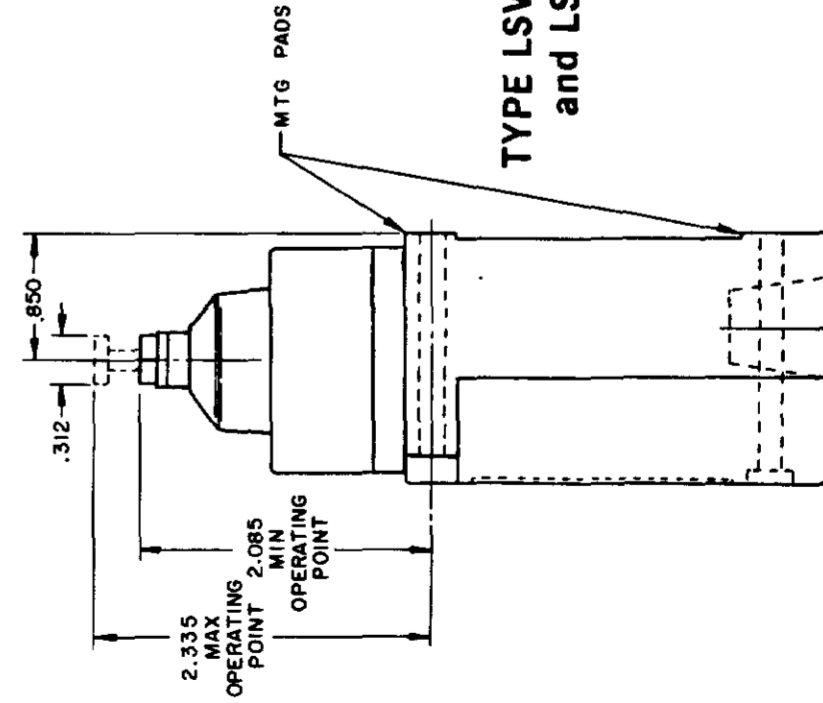


TYPE LSC1 and LSC3

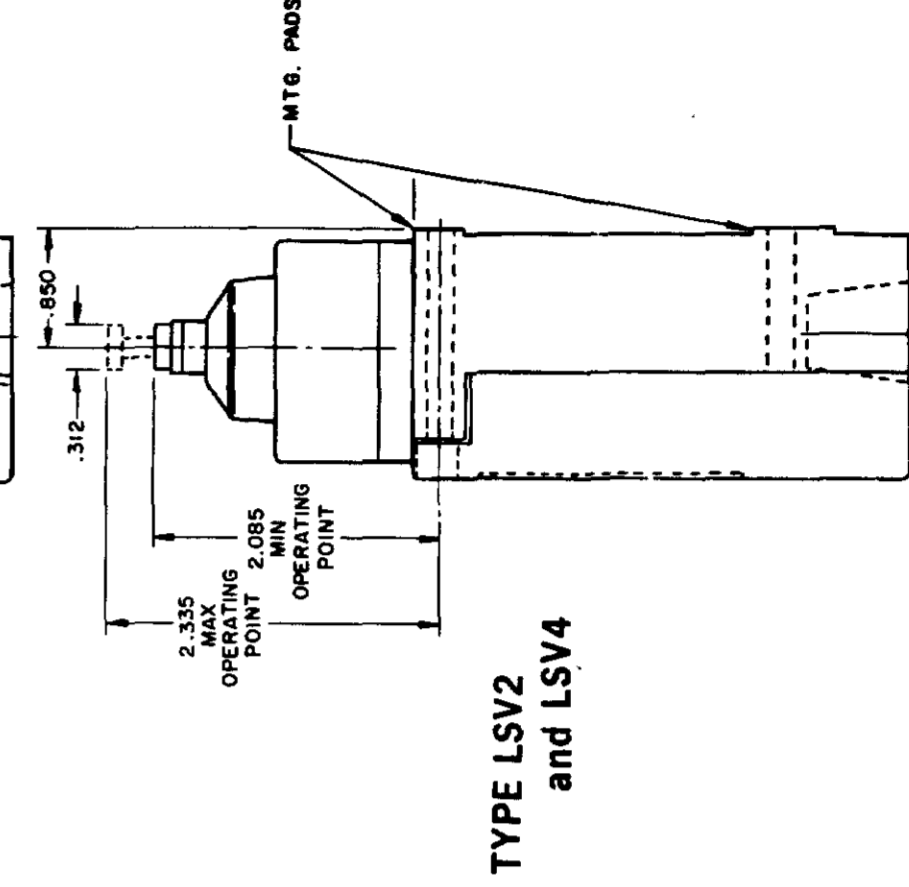


TYPE LSC2 and LSC4

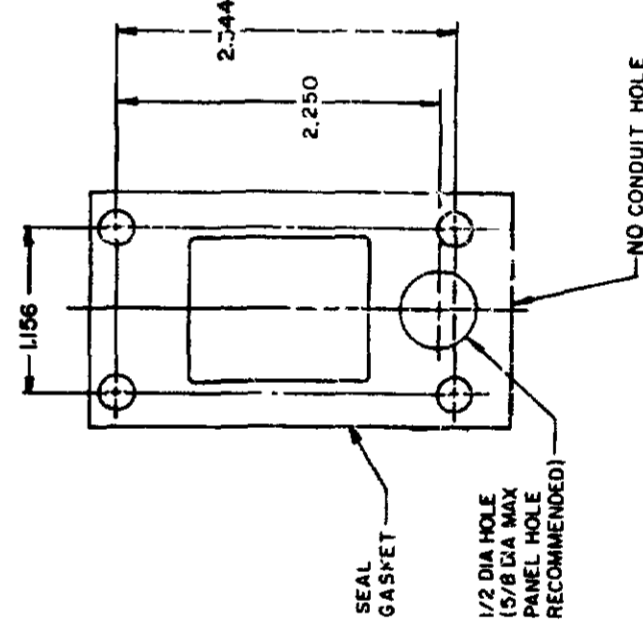
120 LAMP VOLTAGE - TYPE LSC5, LSD5 or LSV5  
 240 LAMP VOLTAGE - TYPE LSC8, LSD8 or LSV8



TYPE LSV1 and LSV3



TYPE LSV2 and LSV4



THIS DRAWING COVERS A PROPRIETARY ITEM AND IS THE PROPERTY OF MICRO SWITCH, A DIVISION OF HONEYWELL. THIS DRAWING IS NOT TO BE COPIED OR USED WITHOUT THE APPROVAL OF MICRO SWITCH.

**MICRO SWITCH**  
 a Honeywell Division

SWITCH - ENCLOSED

CATALOG LISTING  
**LSA-LSW SERIES**  
**CHART 1**

FED MFG CODE 91929

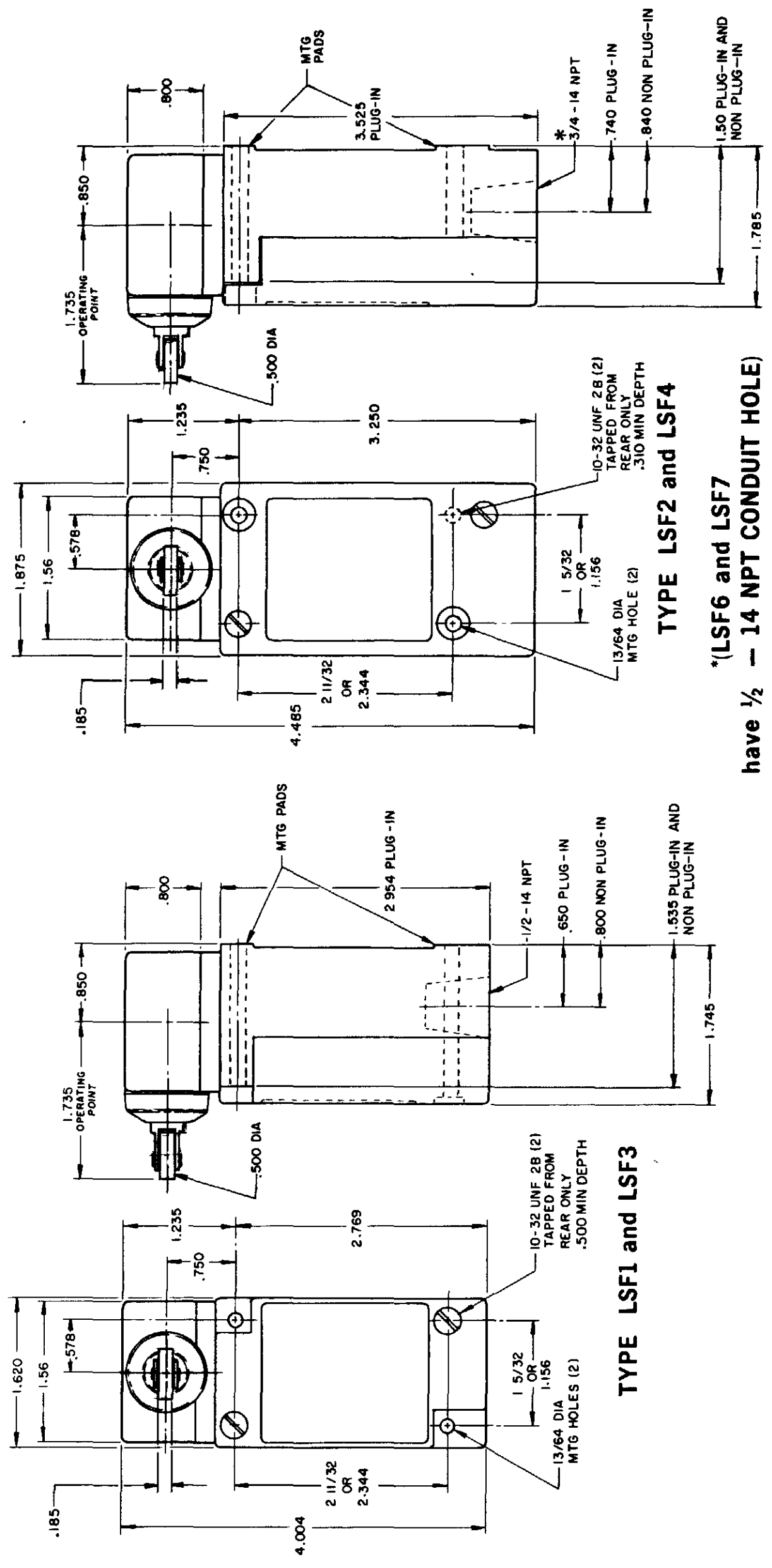
SCALE NONE

FOR SCALE PRINT

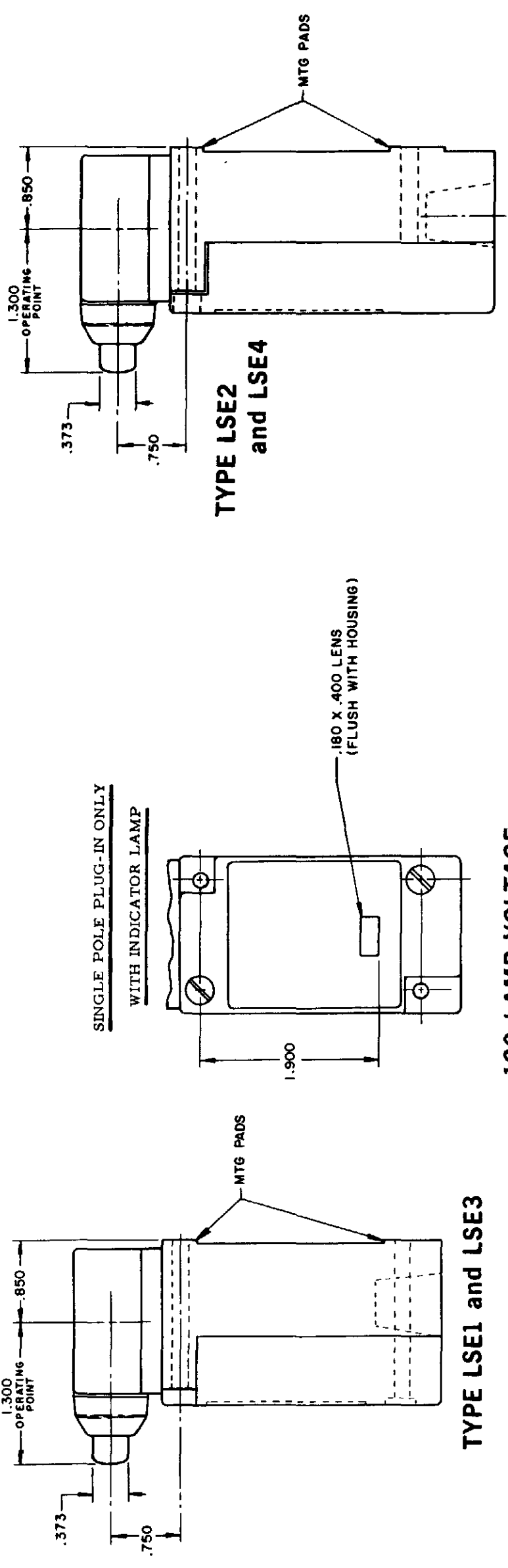
RASTER  
DRAWN  
MAM 15 JUN 94  
CHECK JAF 11 JUL 94  
CHECK AK 11AUG04  
CHECK PSR 10JUL07  
REPLACES LSA-LSW SERIES

REV	DATE	BY	CHK
L	0031956	BS	
B	10 JUL 97	10 JUL 97	
C	201748	CST	
D	202198	CST	
E	204871	CST	
F	206581	CST	
G	206763	CST	
H	207179	CST	
I	207474	CST	
J	207503	CST	
K	0006871	CST	
L	11AUG04	CST	

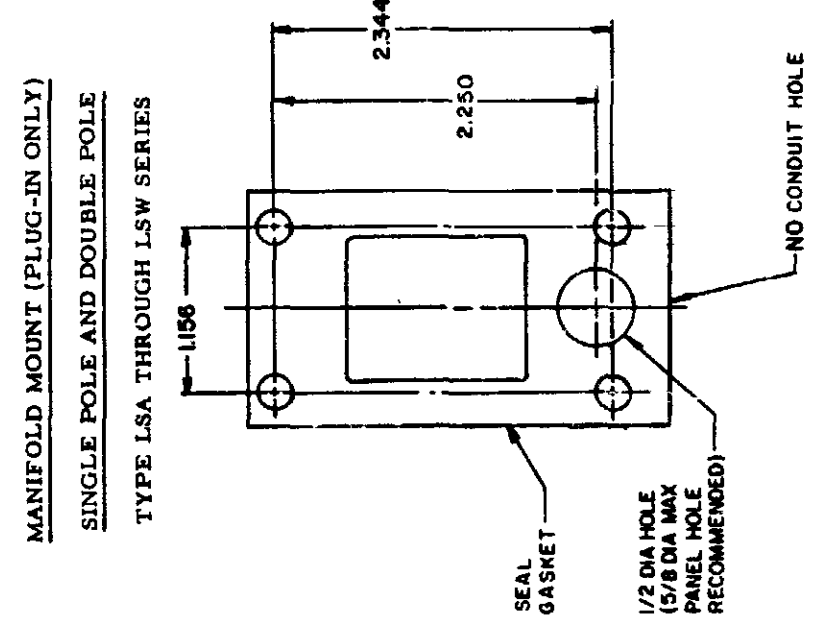
**SIDE PLUNGER TYPE**  
**DOUBLE POLE**



**TYPE LSF1 and LSF3**  
**TYPE LSF2 and LSF4**  
**TYPE LSF6 and LSF7**  
have 1/2 - 14 NPT CONDUIT HOLE)



**TYPE LSE1 and LSE3**  
**TYPE LSE2 and LSE4**  
**TYPE LSW1 and LSW3**  
**TYPE LSW2 and LSW4**  
120 LAMP VOLTAGE -  
TYPE LSF5, LSE5 and LSW5  
240 LAMP VOLTAGE -  
TYPE LSF8, LSE8 and LSW8



**MANIFOLD MOUNT (PLUG-IN ONLY)**  
**SINGLE POLE AND DOUBLE POLE**  
**TYPE LSA THROUGH LSW SERIES**  
SEAL GASKET  
1/2 DIA HOLE (5/8 DIA MAX PANEL HOLE RECOMMENDED)  
NO CONDUIT HOLE

THIS DRAWING COVERS A PROPRIETARY ITEM AND IS THE PROPERTY OF MICRO SWITCH A DIVISION OF HONEYWELL THIS DRAWING IS NOT TO BE COPIED OR USED WITHOUT THE APPROVAL OF MICRO SWITCH

**MICRO SWITCH**  
a Honeywell Division  
FED MFG CODE 91929

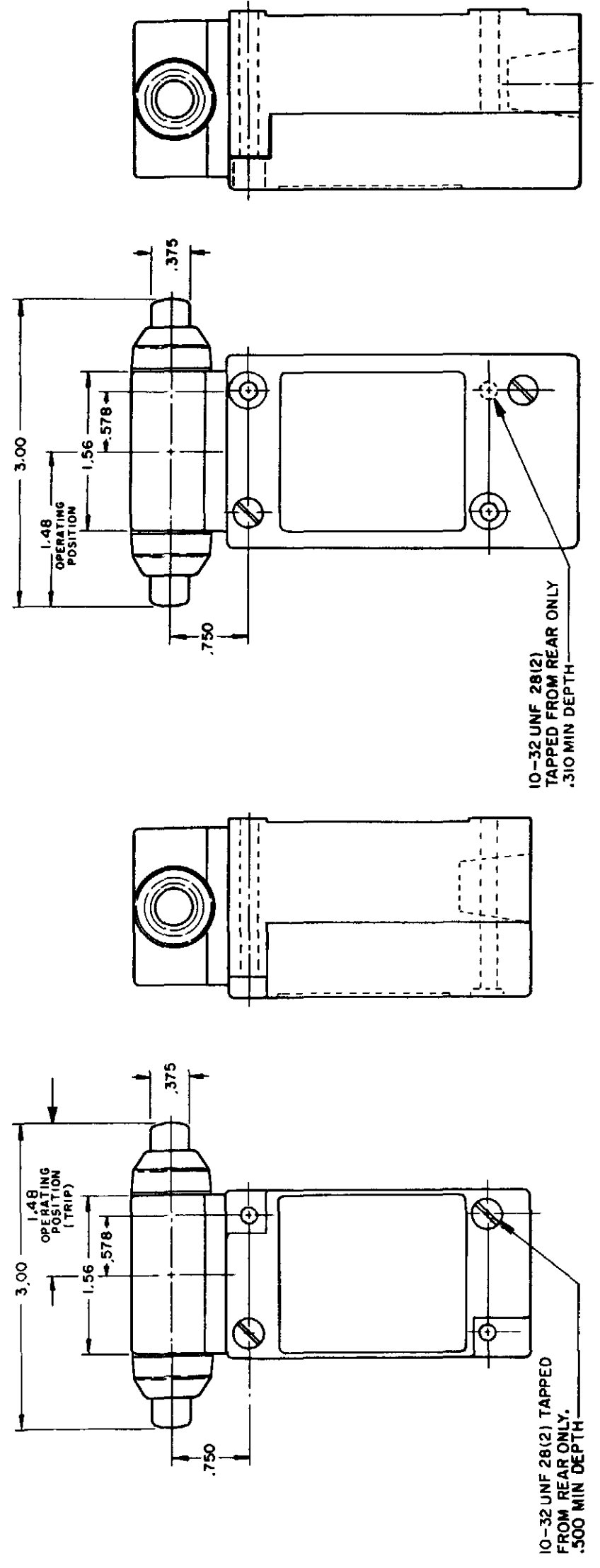
**SWITCH - ENCLOSED**

CATALOG LISTING  
**LSA-LSW SERIES**  
**CHART 1**

ISSUE 12 PSR 10JUL07 RELEASE NO CO-78498 REPLACES LSA-LSW SERIES

REVISIONS  
 L 0031956  
 M 10 JUL 07  
 B 201004  
 C 201748  
 D 202198  
 E 204871  
 F 206581  
 G 206763  
 H 207179  
 J 207474  
 K 0006871

CATALOG LISTING  
**M** LSA-LSW SERIES CHART 1  
 PAGE 6 OF 10  
 CHECK 11AUG04  
 CHECK 11JUL94  
 CHECK 11AUG04



TYPE LSG2 and LSG4

TYPE LSG1 and LSG3

INITIAL POSITION (FREE POSITION) } PRETRAVEL  
 OPERATING POINT } DIFFERENTIAL TRAVEL  
 FULL TRAVEL } OVERTRAVEL

**TOP PLUNGER TYPES**

CHARACTERISTICS	LSC PLUNGER		LSD ROLLER PLUNGER		LSV ADJ PLUNGER		SEQUENCE BASIC	
	PRETRAVEL (MAX)	DIFFERENTIAL TRAVEL (MAX)	SINGLE POLE	DOUBLE POLE	SINGLE POLE	DOUBLE POLE	1ST STEP	2ND STEP
PRETRAVEL (MAX)	.070	.070	.070	.070	.070	.070	.070	.070
DIFFERENTIAL TRAVEL (MAX)	.015	.020	.015	.020	.015	.020	.015	.020
OVERTRAVEL (MIN)	.190	.190	.190	.190	.190	.190	.170	.170
OPERATING FORCE (MAX)	4 LBS	4 LBS	4 LBS	4 LBS	4 LBS	4 LBS	4 LBS	4 LBS
OPERATING POINT	1.805 ± .030	2.200 ± .040	2.085 MIN	2.335 MAX	2.085 MIN	2.335 MAX	1.815 ± .030	2.210 ± .040
FULL OVERTRAVEL FORCE (MAX)	7 LBS	7 LBS	7 LBS	7 LBS	7 LBS	7 LBS	7 LBS	7 LBS

**SIDE PLUNGER TYPES**

CHARACTERISTICS	LSE PLUNGER		LSF ROLLER PLUNGER		LSW ADJ PLUNGER		SEQUENCE BASIC	
	PRETRAVEL (MAX)	DIFFERENTIAL TRAVEL (MAX)	SINGLE POLE	DOUBLE POLE	SINGLE POLE	DOUBLE POLE	1ST STEP	2ND STEP
PRETRAVEL (MAX)	.100	.100	.100	.100	.170	.170	.100	.100
DIFFERENTIAL TRAVEL (MAX)	.045	.045	.045	.045	.090	.090	.020	.020
OVERTRAVEL (MIN)	.190	.190	.190	.190	.080	.080	.170	.170
OPERATING FORCE (MAX)	6 LBS	6 LBS	6 LBS	6 LBS	10 LBS	10 LBS	6 LBS	6 LBS
OPERATING POINT	1.300 ± .030	1.735 ± .040	ADJUSTABLE FROM	ADJUSTABLE FROM	1.480 ± .030	1.480 ± .030	1.310 ± .030	1.745 ± .040
FULL OVERTRAVEL FORCE (MAX)	6 LBS	6 LBS	6 LBS	6 LBS	10 LBS	10 LBS	6 LBS	6 LBS

THIS DRAWING COVERS A PROPRIETARY ITEM AND IS THE PROPERTY OF MICRO SWITCH, A DIVISION OF HONEYWELL. THIS DRAWING IS NOT TO BE COPIED OR USED WITHOUT THE APPROVAL OF MICRO SWITCH.

**MICRO SWITCH**  
a Honeywell Division

SWITCH - ENCLOSED

CATALOG LISTING  
**LSA-LSW SERIES**  
**CHART 1**

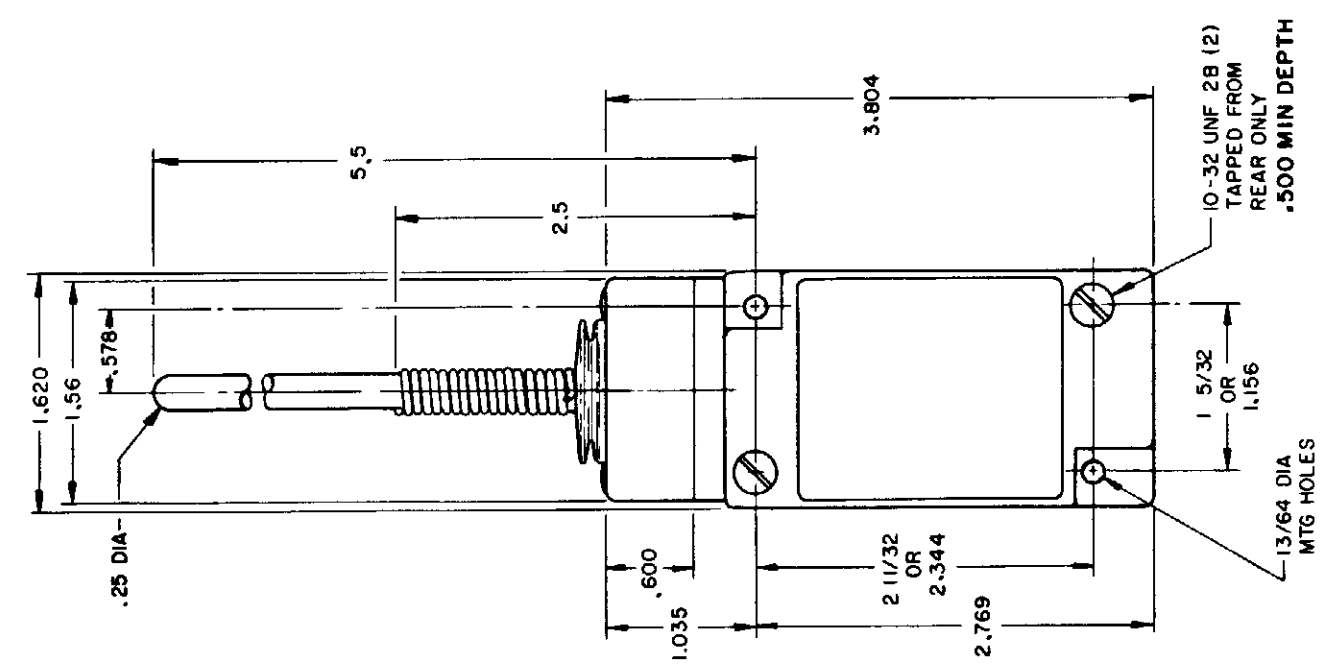
SCALE NONE  
 DO NOT SCALE PRINT  
 DIMENSIONS ARE IN INCHES  
**TOLERANCES**  
 ONE PLACE (.0)  
 TWO PLACE (.00)  
 THREE PLACE (.000)  
 ANGLES  
 WEIGHT



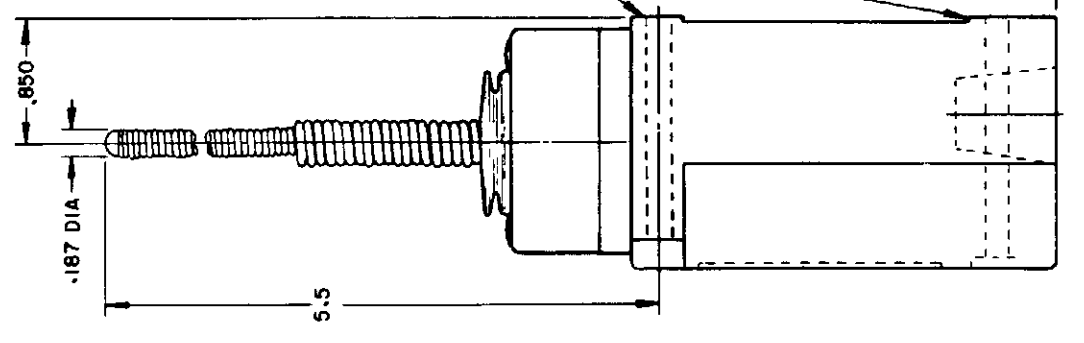
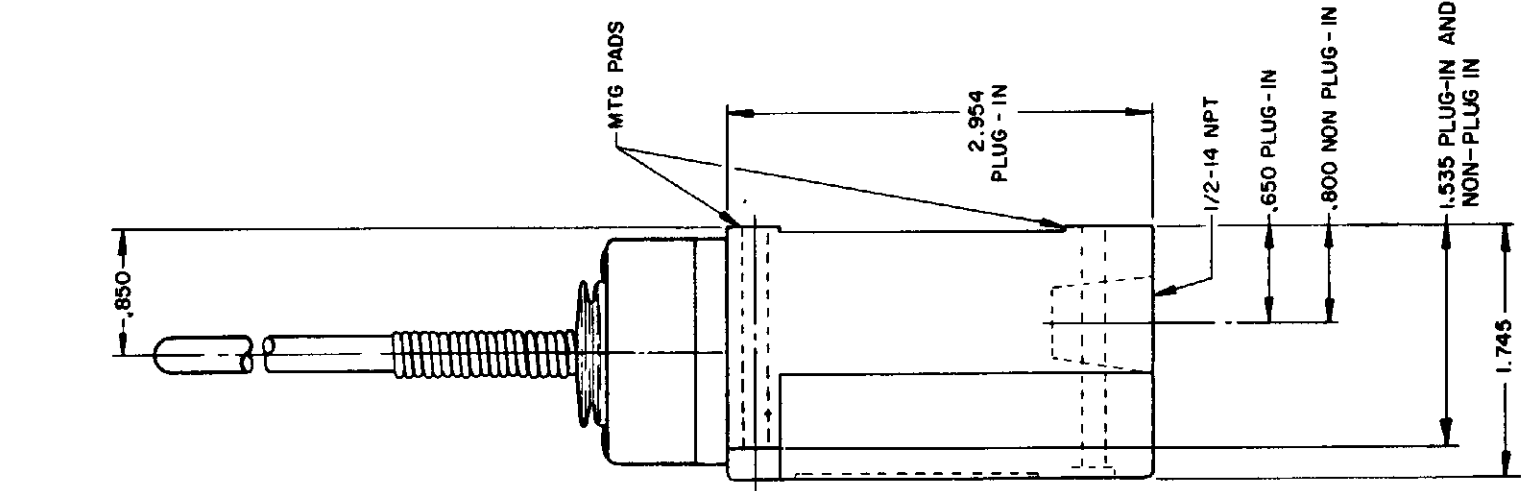
**WOBBLE STICK**

**SINGLE POLE**

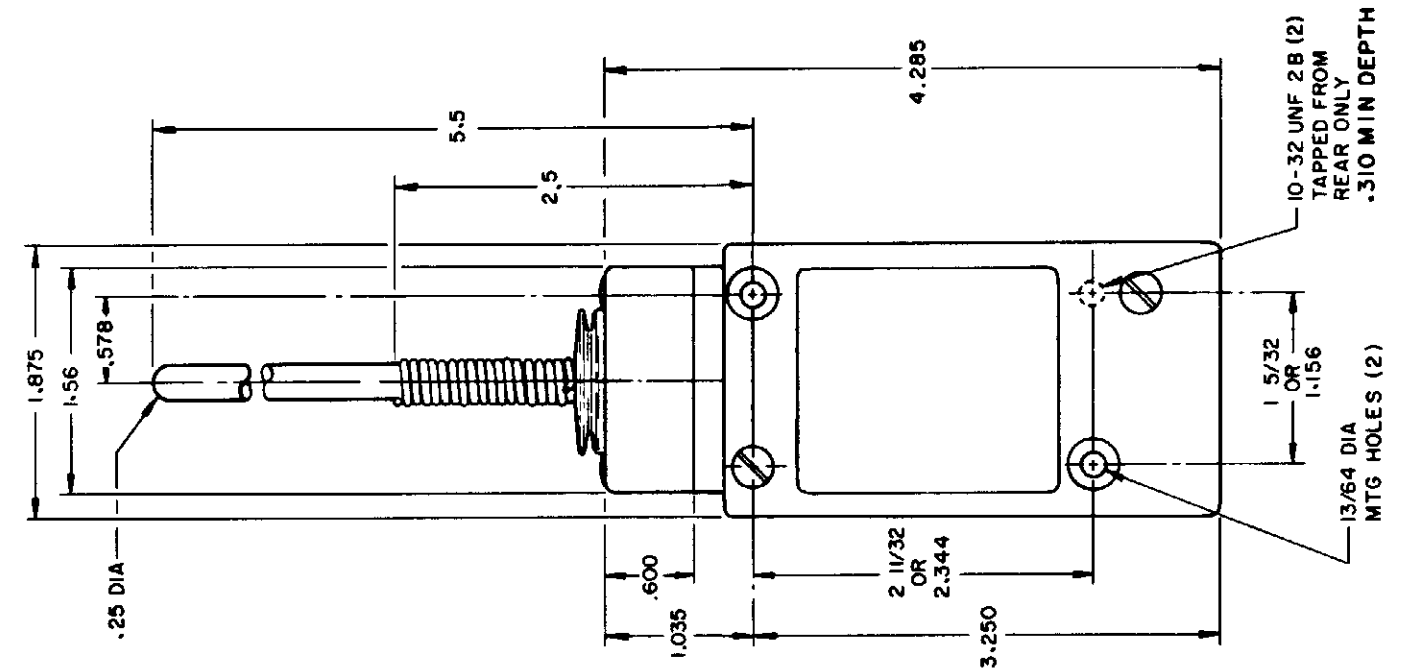
**DOUBLE POLE**



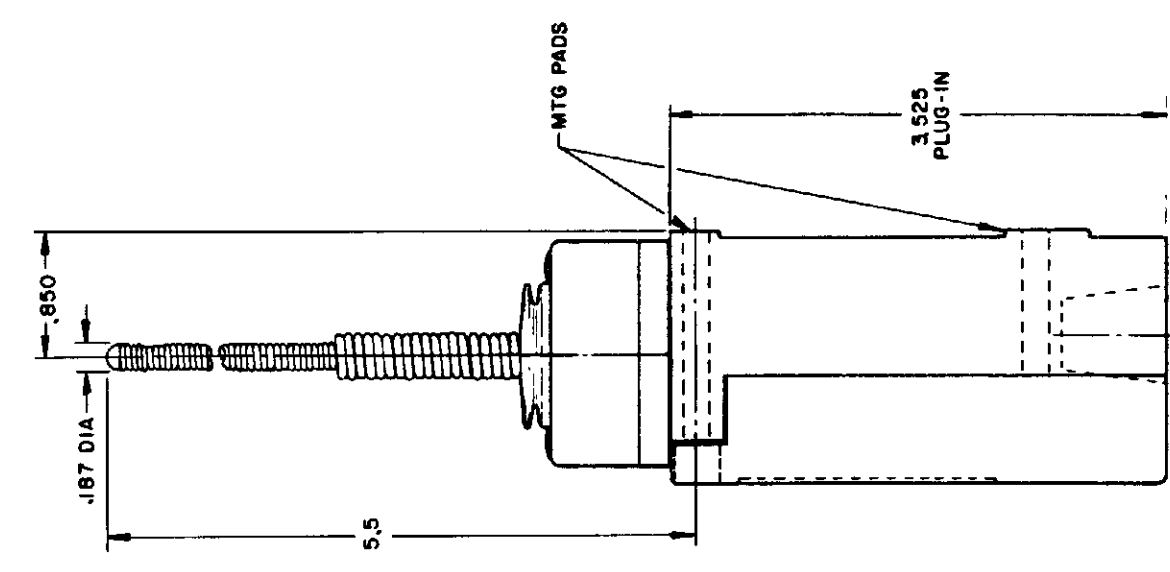
**PLASTIC EXTENSION  
TYPE 7A ACTUATOR**  
TYPE LSJ1 AND LSJ3



**CABLE EXTENSION  
TYPE 7N ACTUATOR**

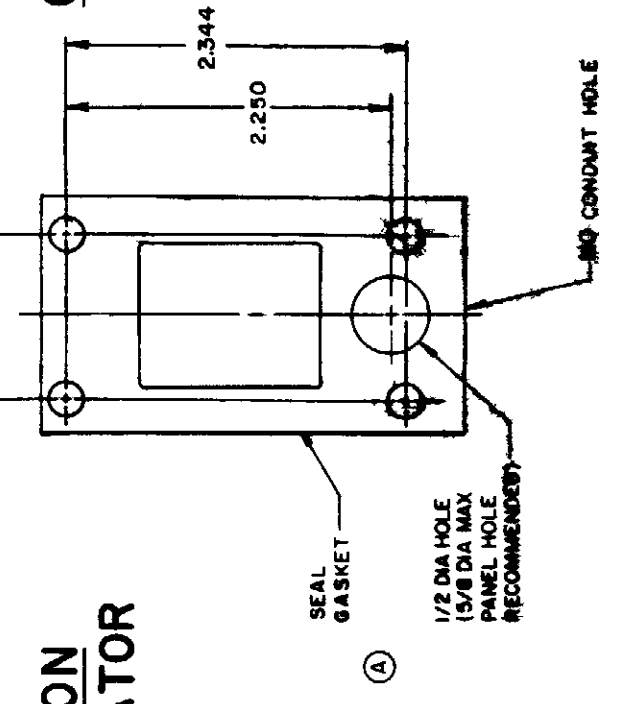
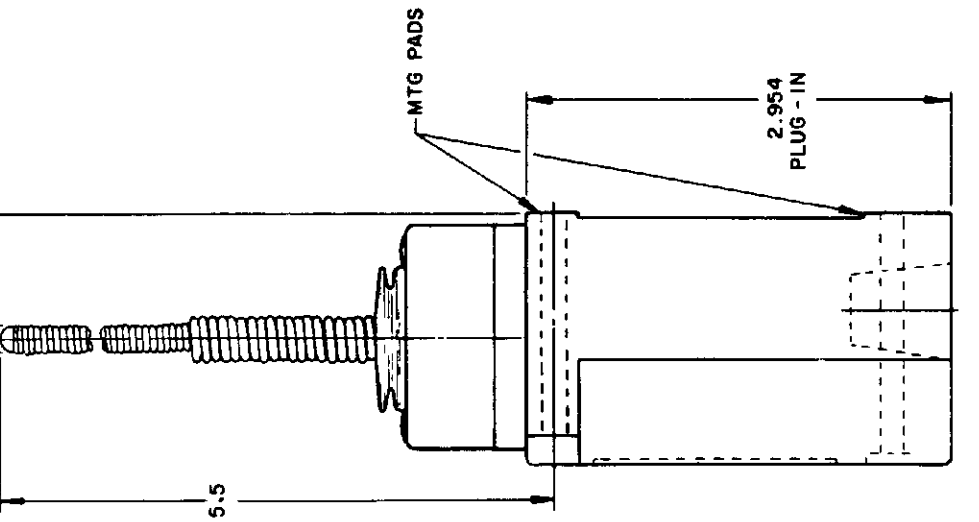


**PLASTIC EXTENSION  
TYPE 7A ACTUATOR**  
TYPE LSJ2 AND LSJ4  
LSJ6 AND LSJ7 HAVE  
1/2 - 14 NPT CONDUIT HOLE

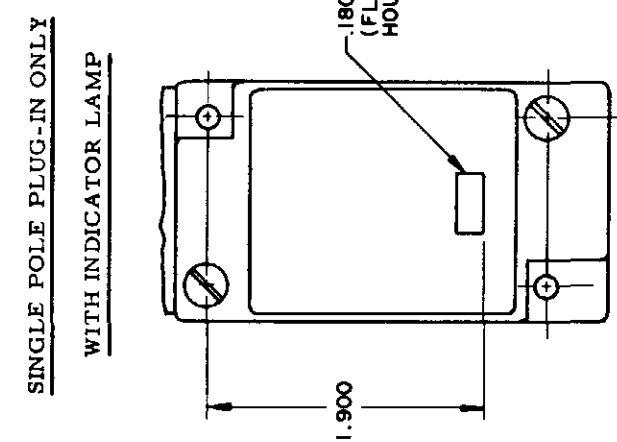


**CABLE EXTENSION  
TYPE 7N ACTUATOR**

**REPLACEMENT ACTUATOR  
LSZ-4009**



**REPLACEMENT ACTUATOR  
LSZ-4011**



**120 LAMP VOLTAGE TYPE LSJ5  
240 LAMP VOLTAGE TYPE LSJ8  
24 LED VOLTAGE TYPE LSJ9**

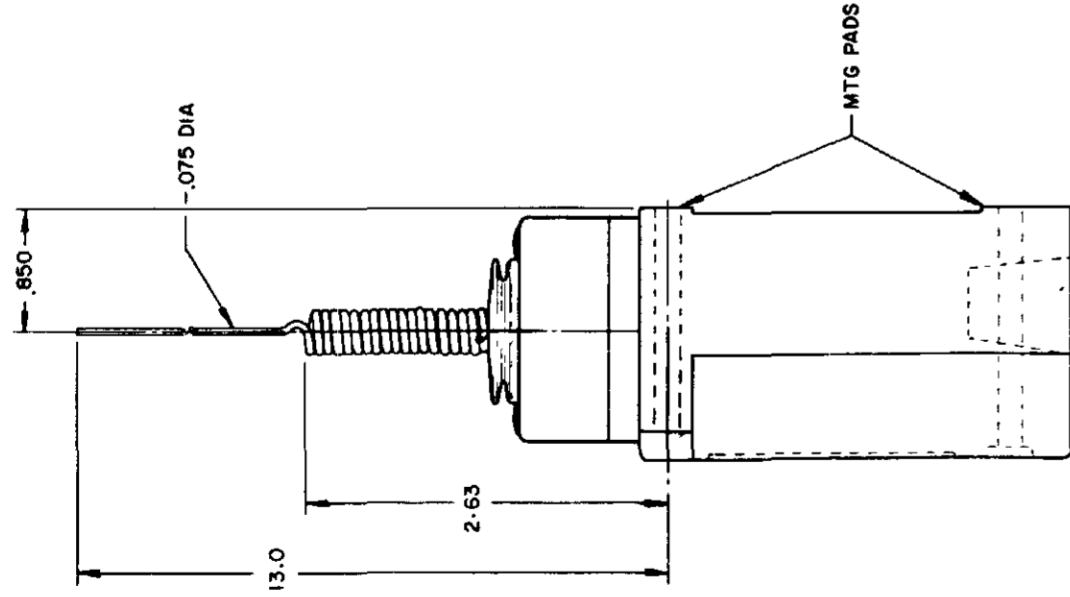
**MANIFOLD MOUNT (PLUG-IN ONLY)  
SINGLE POLE AND DOUBLE POLE  
TYPE LSA THROUGH LSW SERIES**

**CABLE EXTENSION  
TYPE 7N ACTUATOR**

**CABLE EXTENSION  
TYPE 7N ACTUATOR**

**REPLACEMENT ACTUATOR  
LSZ-4011**

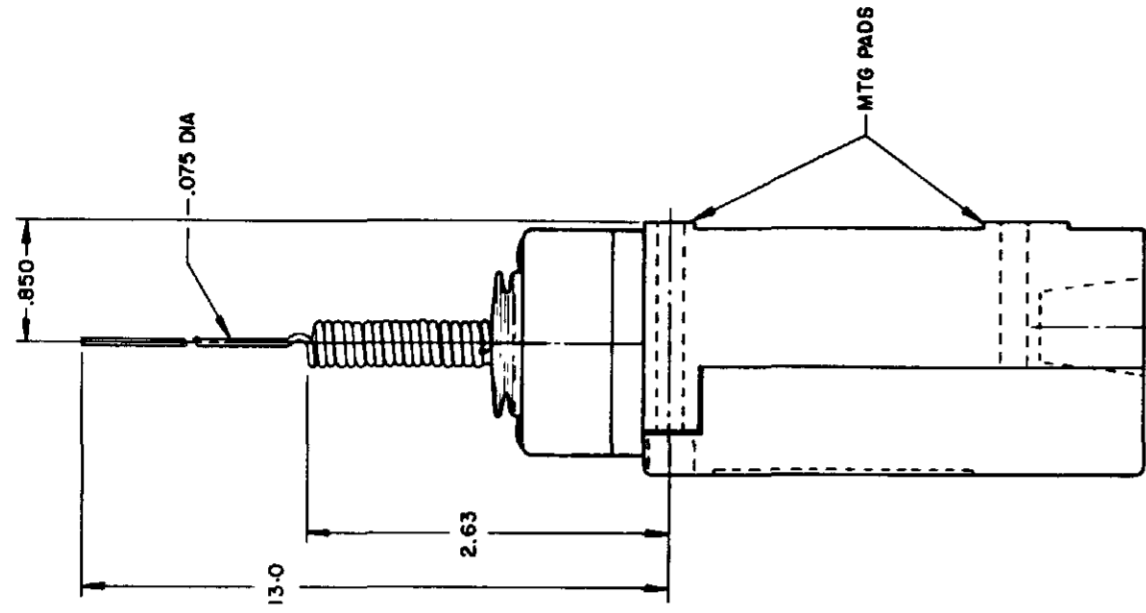
REVISIONS	
L	0031956
BS	10 JUL 07
B	201004
C	10 AUG 00
C	201748
17	10 OCT 00
D	202198
E	204871
F	206581
G	206763
H	207179
J	207474
K	0006871



**WIRE EXTENSION TYPE 7M ACTUATOR**

TYPE LSJ1 and LSJ3

REPLACEMENT ACTUATOR - LSZ 4010

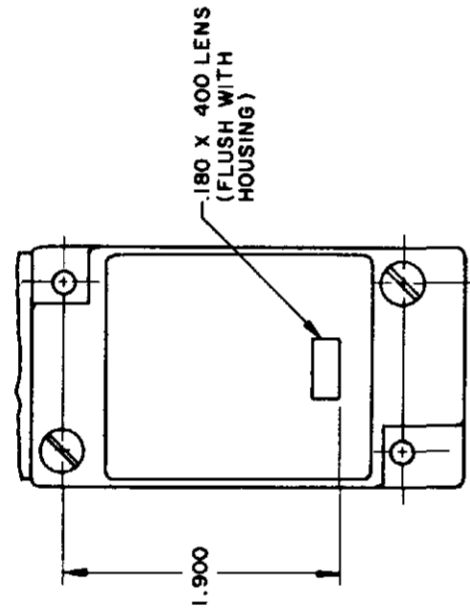


**WIRE EXTENSION TYPE 7M ACTUATOR**

TYPE LSJ2 and LSJ4

LSJ6 and LSJ7 have 1/2 - 14 NPT CONDUIT HOLE

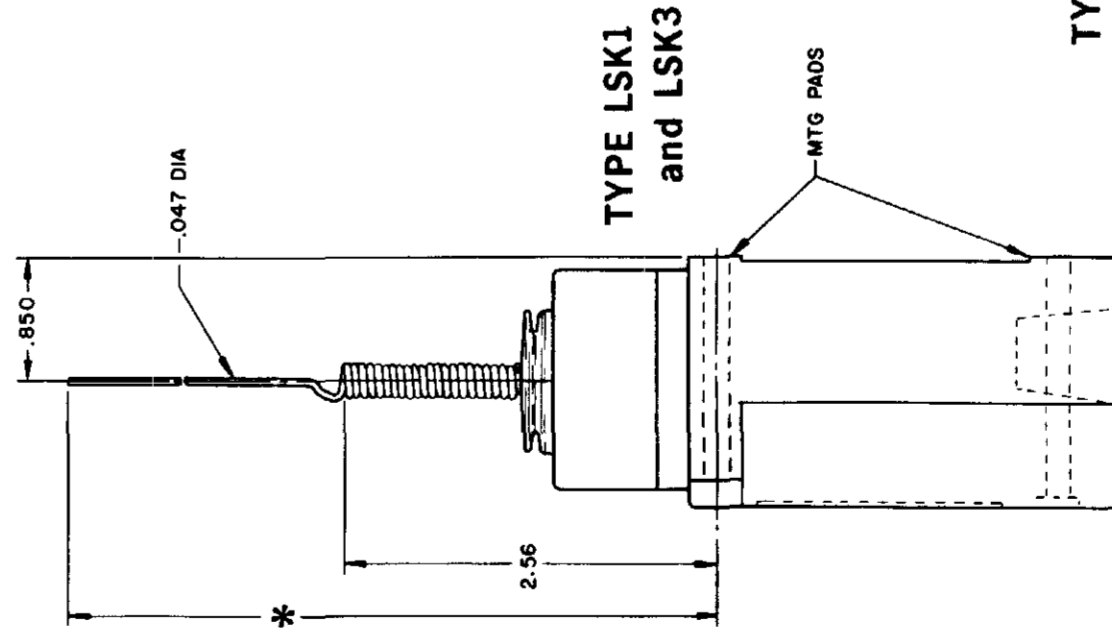
SINGLE POLE PLUG-IN ONLY  
WITH INDICATOR LAMP



120 LAMP VOLTAGE TYPE LSJ5  
240 LAMP VOLTAGE TYPE LSJ8

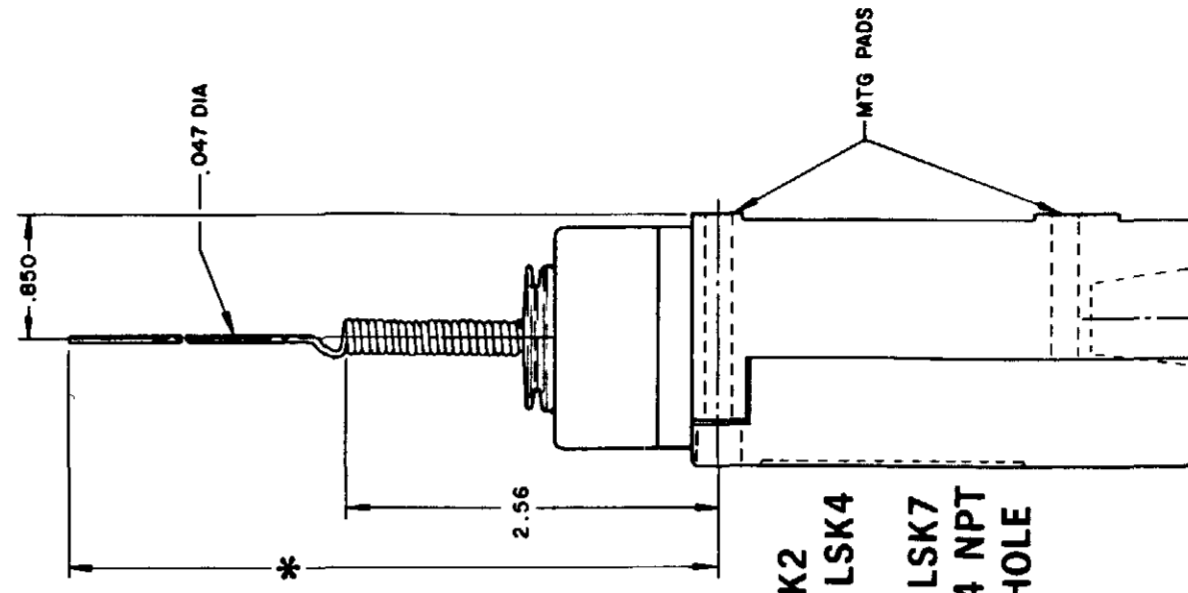
## CAT WHISKER

SINGLE POLE



TYPE LSK1  
and LSK3

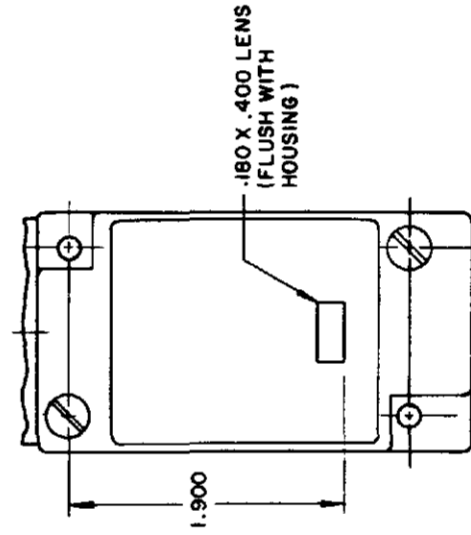
DOUBLE POLE



TYPE LSK2  
and LSK4

LSK6 and LSK7  
have 1/2 - 14 NPT  
CONDUIT HOLE

SINGLE POLE PLUG-IN ONLY  
WITH INDICATOR LAMP



120 LAMP VOLTAGE  
TYPE LSK5 - CAT WHISKER TYPE LSB5 - TOP ROTARY  
240 LAMP VOLTAGE  
TYPE LSK8 - CAT WHISKER TYPE LSB8 - TOP ROTARY

\* WIRE EXTENSION REPLACEMENT ACTUATOR

TYPE 8A ACTUATOR 5.5 IN.-LSZ 4012

TYPE 8B ACTUATOR 7.5 IN.-LSZ 4013

TYPE 8C COIL ACTUATOR 5.5 IN.-LSZ 4014  
ACTUATOR 9.5 IN. - LSZ 4036

WIRE EXTENSION

\* TYPE 8A ACTUATOR 5.5 IN.

TYPE 8B ACTUATOR 7.5 IN.

TYPE 8C ACTUATOR 5.5 IN.

TYPE 8D ROD ACTUATOR 5.5 IN.

PRETRAVEL (APPROX) IN. RADIUS	CAT. WHISKER		WOBBLE STICK	
	5/16" WIRE	7/16" WIRE	ROD	CABLE
2	2	4.5	1.0	1.5
OPERATING FORCE-OZ (MAX)	7.0	5.0	3.0	10.0
			7.0	5.0

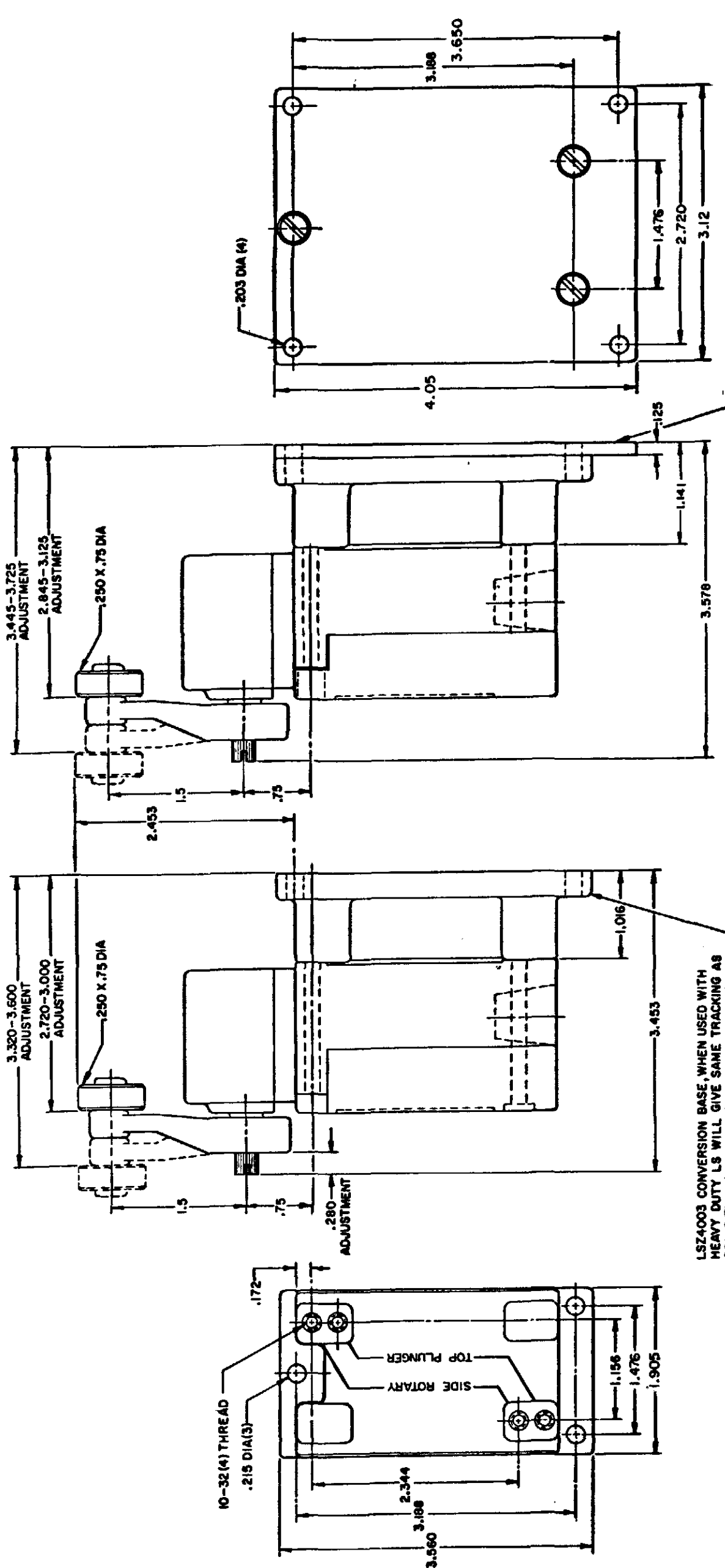


ISSUE	12	PSR	10JUL07	RELEASE NO	CO-78498	REPLACES	LSA-LSW SERIES
CATALOG LISTING	LSA-LSW SERIES CHART 1						
REVISIONS	PAGE 9 OF 10						
L	0031956	BS	10JUL07	11AUG04	AK	11AUG04	11JUN 94
B	201004	CS	10AUG00	AK	11AUG04	AK	11JUN 94
C	201748	CS	23JAN01	AK	11AUG04	AK	11JUN 94
D	202198	CS	23JAN01	AK	11AUG04	AK	11JUN 94
E	204871	CS	23JAN01	AK	11AUG04	AK	11JUN 94
F	206581	CS	23JAN01	AK	11AUG04	AK	11JUN 94
G	206763	CS	23JAN01	AK	11AUG04	AK	11JUN 94
H	207179	CS	23JAN01	AK	11AUG04	AK	11JUN 94
J	207474	CS	23JAN01	AK	11AUG04	AK	11JUN 94
K	0006871	CS	23JAN01	AK	11AUG04	AK	11JUN 94

# CONVERSION BASES

**SINGLE POLE (SIDE ROTARY) LSZ 4003**

**DOUBLE POLE (SIDE ROTARY) LSZ 4004**

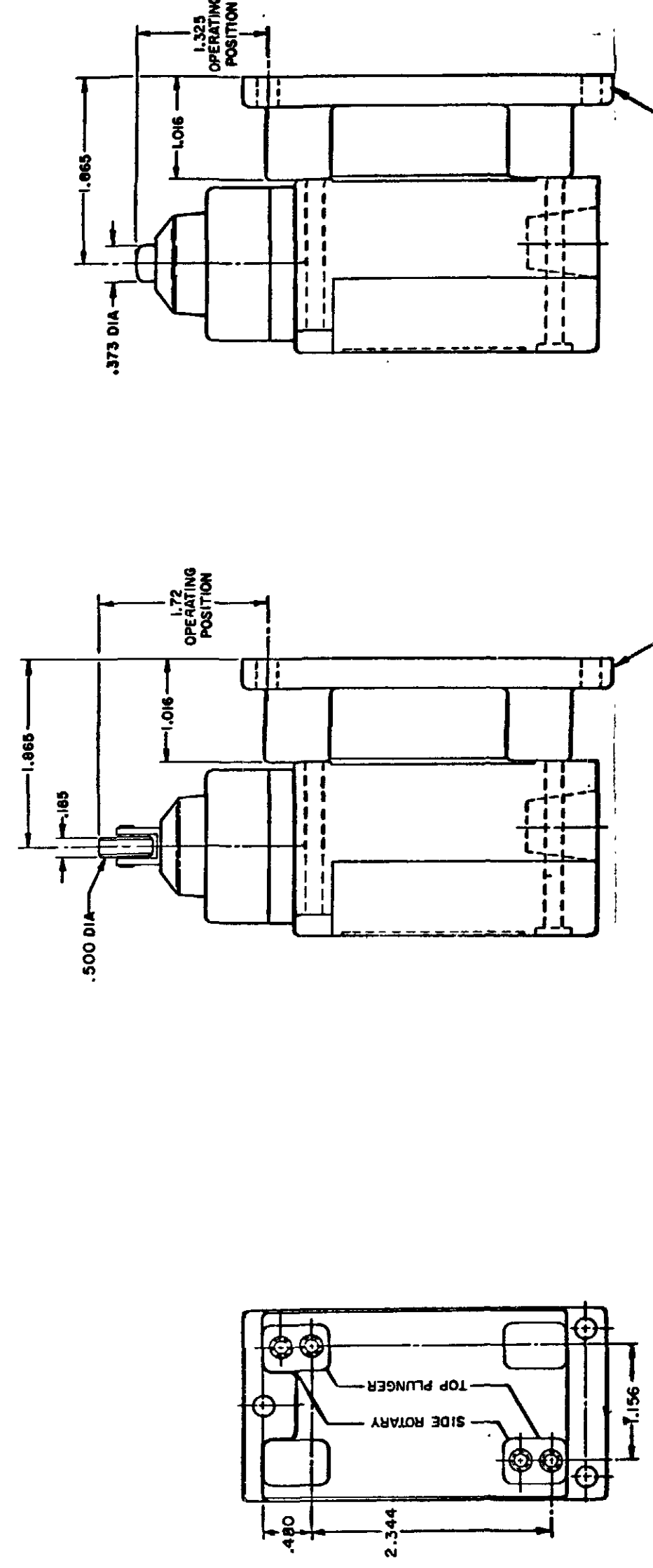


LSZ4004 (FURNISHED ASSEMBLED) CONVERSION BASE, WHEN USED WITH HOLDS WILL GIVE SAME TRACKING AS 301LS TYPE (LIMIT SWITCH NOT INCLUDED)

LSZ4003 CONVERSION BASE WHEN USED WITH HEAVY DUTY LS WILL GIVE SAME TRACKING AS 201LS TYPE (LIMIT SWITCH NOT INCLUDED)

NOTE  
SEE OTHER PAGES OF LSA-LSW  
(M) DRAWING FOR DIMENSION OF LIMITS

# SINGLE POLE TOP PLUNGER LSZ 4003



NOTE  
SEE OTHER PAGES OF LSA-LSW  
(M) DRAWING FOR DIMENSION OF LIMIT SWITCH

THIS DRAWING COVERS A PROPRIETARY ITEM AND IS THE PROPERTY OF MICRO SWITCH, A DIVISION OF HONEYWELL. THIS DRAWING IS NOT TO BE COPIED OR USED WITHOUT THE APPROVAL OF MICRO SWITCH.

**MICRO SWITCH**  
a Honeywell Division

SWITCH - ENCLOSED

CATALOG LISTING  
**LSA-LSW SERIES**  
CHART 1

FED MFG CODE 91829

SCALE FULL  
DO NOT SCALE PRINT

HEAD TYPE	CELLULUBE	DETERGENT	5 STAR	ASTM #1	ASTM #2	ASTM #3	ASTM #4	HOUGHTON SAFE 271	HOUGHTON SAFE 820	HOUGHTON SAFE 1010, 1055	MINERAL OIL	PETR. OIL CRUDE	SILICON GR & OIL	SUNSAFE	BEER	STODDARD SOLV.	CHLORINATED SOLVENTS	CITRIC ACID	D-ESTER SYN. LUBRICANTS	OZONE	HYDRAUL	PROGUARD	PETRO. BASE HYDRAULIC OIL	LARD OIL	SILICATE ESTERS
LSA	4	1	1	1	1	2	1	4	1	1	1	1	1	1	4	1	2	4	4	4	4	1	1	2	
LSB	4	1	1	1	1	2	1	4	1	1	1	1	1	1	4	1	2	4	4	4	4	1	1	2	
LSC	4	2	2	1	2	4	4	2	4	2	2	1	2	1	2	4	1	4	3	4	4	2	2	2	
LSD	4	2	2	1	2	4	4	2	4	2	2	1	2	1	2	4	1	4	3	4	4	2	2	2	
LSE	4	2	2	1	2	4	4	2	4	2	2	1	2	1	2	4	1	4	3	4	4	2	2	2	
LSF	4	2	2	1	2	4	4	2	4	2	2	1	2	1	2	4	1	4	2	4	4	2	2	2	
LSG	4	2	2	1	2	4	4	2	4	2	2	1	2	1	2	4	1	4	3	4	4	2	2	2	
LSH	4	1	1	1	1	2	1	4	1	1	1	1	1	1	4	1	2	4	4	4	4	1	1	2	
LSJ	4	2	2	1	2	4	4	2	4	2	2	1	2	1	2	4	1	4	3	4	4	2	2	2	
LSK	4	2	2	1	2	4	4	2	4	2	2	1	2	1	2	4	1	4	3	4	4	2	2	2	
LSL	4	1	1	1	1	2	1	4	1	1	1	1	1	1	4	1	2	4	4	4	4	1	1	2	
LSM	4	1	1	1	1	2	1	4	1	1	1	1	1	1	4	1	2	4	4	4	4	1	1	2	
LSN	4	1	1	1	1	2	1	4	1	1	1	1	1	1	4	1	2	4	4	4	4	1	1	2	
LSP	4	1	1	1	1	2	1	4	1	1	1	1	1	1	4	1	2	4	4	4	4	1	1	2	
LSR	4	1	1	1	1	2	1	4	1	1	1	1	1	1	4	1	2	4	4	4	4	1	1	2	
LSV	4	2	2	1	2	4	4	2	4	2	2	1	2	1	2	4	1	4	3	4	4	2	2	2	
LSW	4	2	2	1	2	4	4	2	4	2	2	1	2	1	2	4	1	4	2	4	4	2	2	2	
LST	UNSEALED DEVICE, INTENDED TO MEET NEMA 1 ONLY																								
LSS	UNSEALED DEVICE, INTENDED TO MEET NEMA 1 ONLY																								

CODE: 1 SATISFACTORY 2 FAIR 3 DOUBTFUL 4 UNSATISFACTORY

TEMPERATURE LIMITATIONS FOR STANDARD DEVICES		
TYPES	LOW LIMIT	HIGH LIMIT
LSA	+10°F	+250°F
LSB	+30°F	+250°F
LSC	+10°F	+200°F
LSD	+10°F	+200°F
LSE	+10°F	+200°F
LSF	+10°F	+200°F
LSG	+30°F	+200°F
LSH	+30°F	+250°F
LSJ	+10°F	+200°F
LSK	+10°F	+200°F
LSL	+10°F	+250°F
LSM	+30°F	+250°F
LSN	+30°F	+250°F
LSP	+10°F	+250°F
LSR	+30°F	+250°F
LSV	+10°F	+200°F
LSW	+10°F	+200°F
LST	+30 F	+170°F
LSS	+30°F	+170°F

CATALOG LISTING  
**M** LSA-LSW SERIES CHART 1  
 PAGE 10 OF 10  
 ISSUE 12  
 PSR 10JUL07  
 CHECK 11AUG04  
 REVISIONS:  
 L 0031956 BS 10JUL07  
 B 201004 CS 10 AUG 00  
 C 201748 CS 17 NOV 00  
 D 202198 CS 23 JAN 01  
 E 204871 G J W FEB 02  
 F 206581 GLH 14 OCT 02  
 G 206783 CS 31 OCT 02  
 H 207179 GLH 14 JAN 03  
 J 207474 TSM 18 FEB 03  
 K 0006871 KR 11AUG04  
 DRAWN MAM 15 JUN 94  
 CHECK JAF 11 JUL 94  
 RASTER

THIS DRAWING COVERS A PROPRIETARY ITEM AND IS THE PROPERTY OF MICRO SWITCH A DIVISION OF HONEYWELL THIS DRAWING IS NOT TO BE COPIED OR USED WITHOUT THE APPROVAL OF MICRO SWITCH

**MICRO SWITCH**  
a Honeywell Division

SWITCH - ENCLOSED

LSA-LSW SERIES  
CHART 1

FED. MFG. CODE 91929



Компания «ЭлектроПласт» предлагает заключение долгосрочных отношений при поставках импортных электронных компонентов на взаимовыгодных условиях!

Наши преимущества:

- Оперативные поставки широкого спектра электронных компонентов отечественного и импортного производства напрямую от производителей и с крупнейших мировых складов;
- Поставка более 17-ти миллионов наименований электронных компонентов;
- Поставка сложных, дефицитных, либо снятых с производства позиций;
- Оперативные сроки поставки под заказ (от 5 рабочих дней);
- Экспресс доставка в любую точку России;
- Техническая поддержка проекта, помощь в подборе аналогов, поставка прототипов;
- Система менеджмента качества сертифицирована по Международному стандарту ISO 9001;
- Лицензия ФСБ на осуществление работ с использованием сведений, составляющих государственную тайну;
- Поставка специализированных компонентов (Xilinx, Altera, Analog Devices, Intersil, Interpoint, Microsemi, Aeroflex, Peregrine, Syfer, Eurofarad, Texas Instrument, Miteq, Cobham, E2V, MA-COM, Hittite, Mini-Circuits, General Dynamics и др.);

Помимо этого, одним из направлений компании «ЭлектроПласт» является направление «Источники питания». Мы предлагаем Вам помощь Конструкторского отдела:

- Подбор оптимального решения, техническое обоснование при выборе компонента;
- Подбор аналогов;
- Консультации по применению компонента;
- Поставка образцов и прототипов;
- Техническая поддержка проекта;
- Защита от снятия компонента с производства.



#### Как с нами связаться

**Телефон:** 8 (812) 309 58 32 (многоканальный)

**Факс:** 8 (812) 320-02-42

**Электронная почта:** [org@eplast1.ru](mailto:org@eplast1.ru)

**Адрес:** 198099, г. Санкт-Петербург, ул. Калинина, дом 2, корпус 4, литера А.