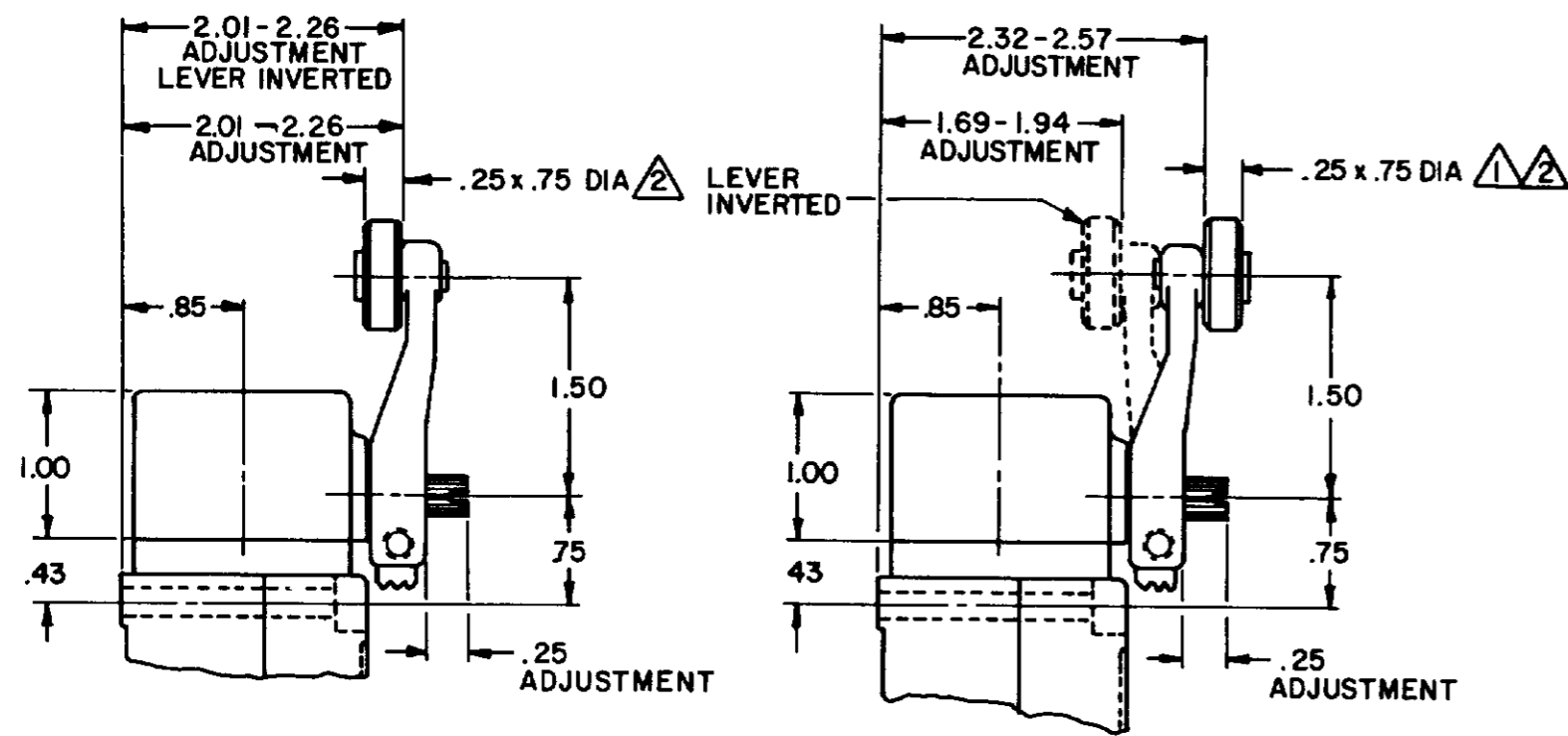
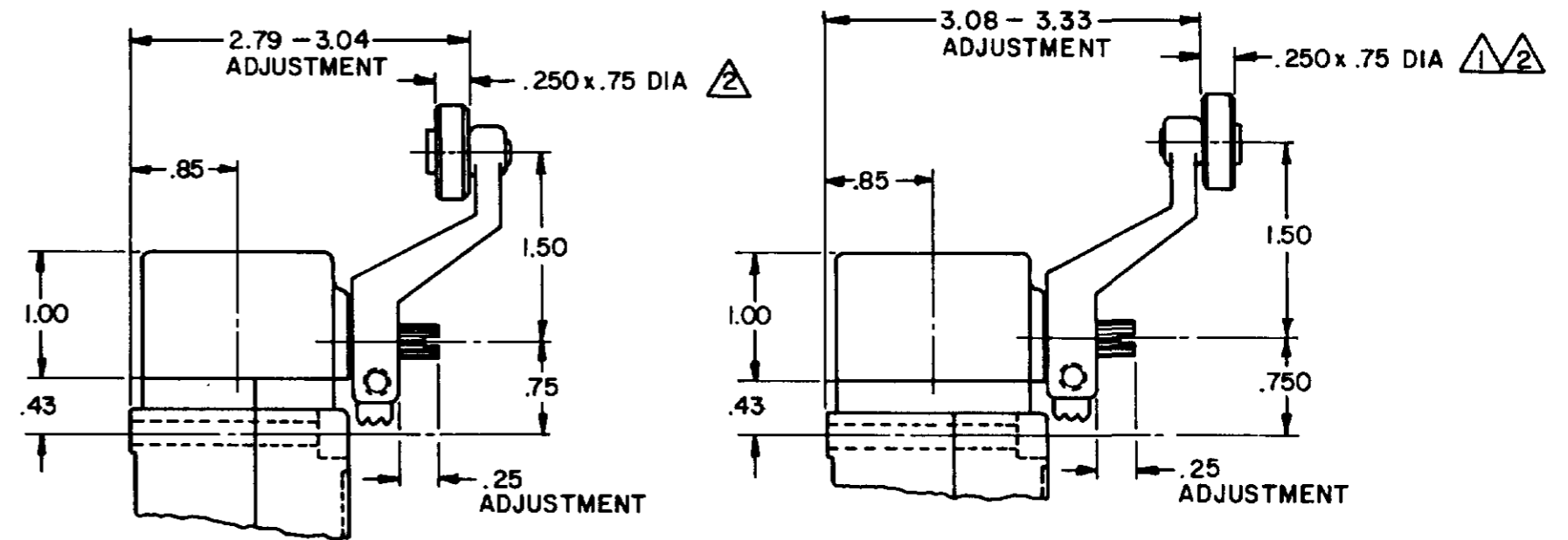




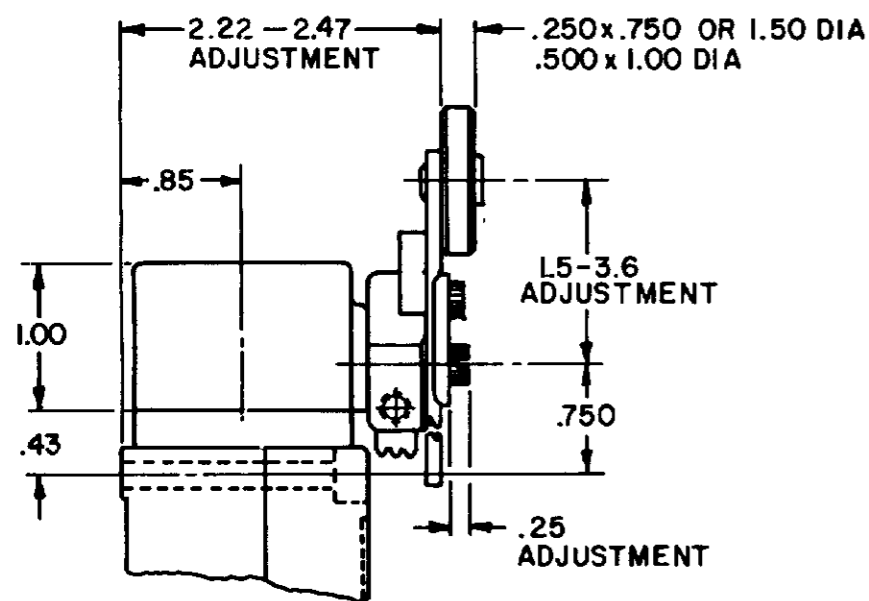
SIDE ROTARY CAM TRACKING



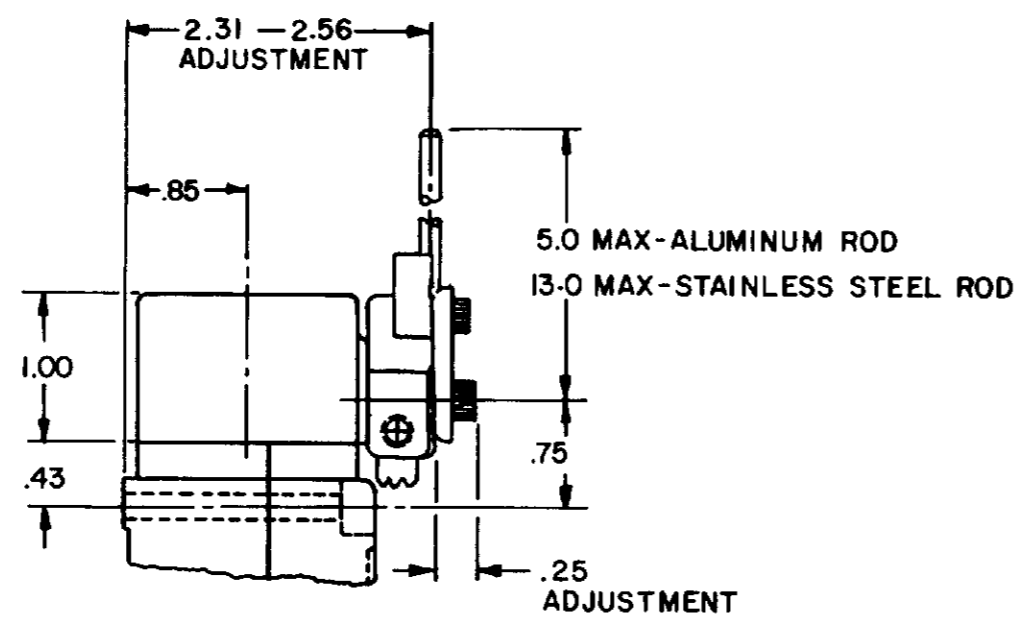
LSZ51 TYPE LEVERS



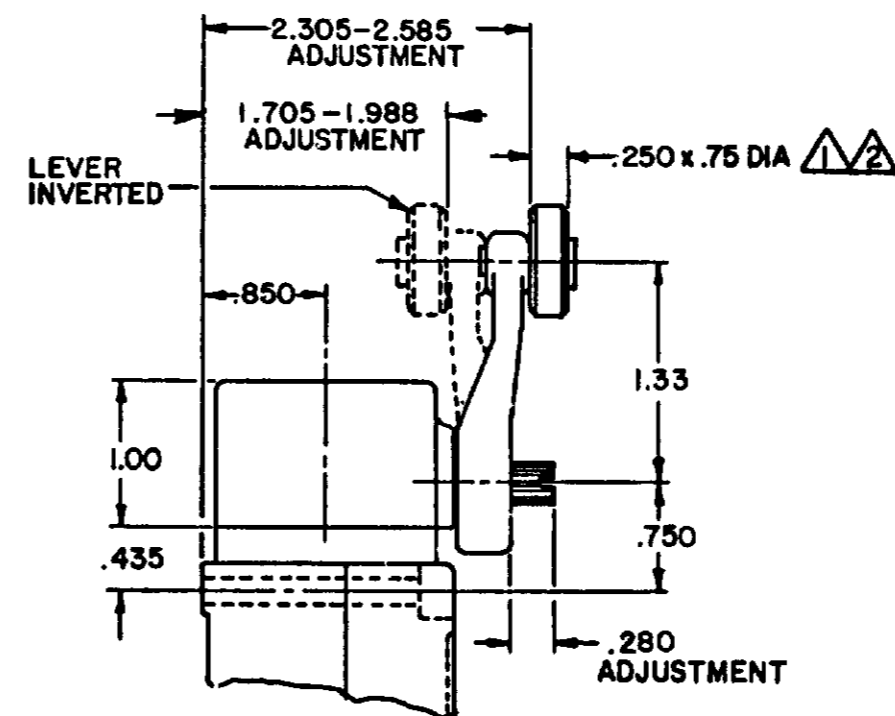
LSZ55 TYPE LEVERS



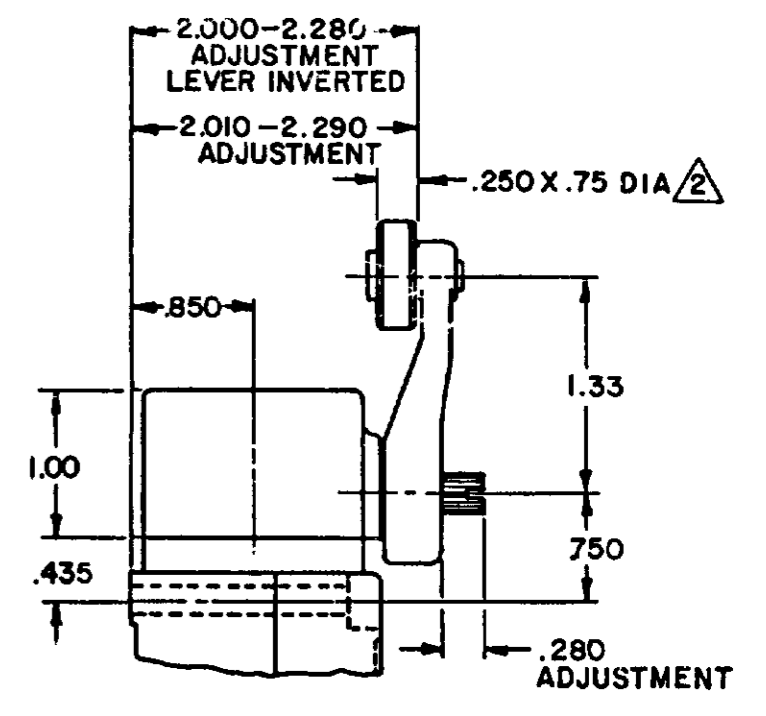
LSZ52 TYPE LEVER



LSZ54 TYPE LEVER



OPEN MOUNTED ROLLER



CLOSED MOUNTED ROLLER

LSZ59 TYPE LEVERS

NOTES

- 1 ALSO AVAILABLE IN Ø.250 X 1.500 NYLON, BUT LEVER CANNOT BE INVERTED
- 2 FOR ADDITIONAL ROLLER WIDTHS AND/OR DIAMETERS REFER TO "M" DRAWING
- 3 - FOR ADDITIONAL TYPES OF ROLLERS AND LEVERS REFER TO LSZ CHART 1 "M" DRAWING

CATALOG LISTING LSA-LSW SERIES CHART 1  
 ISSUE 12  
 PSR 10JUL07 RELEASE NO. CO-78498 REPLACES LSA-LSW SERIES  
 CHECK 11AUG04  
 REVISIONS  
 L 0031956  
 BS 10JUL07  
 B 201004  
 C SL 10AUG00  
 C 201748  
 C SL 17NOV00  
 D 202198  
 C SL 23JAN01  
 E 204871  
 C SL FEB 02  
 F 206581  
 GLH 14OCT02  
 G 206763  
 C SL 31OCT02  
 H 207179  
 GLH 14JAN03  
 J 207474  
 SLH 18FEB03  
 K 0006871  
 RR 11AUG04  
 DRAWN MAM 15 JUN 94  
 CHECK JAF 11 JUL 94

PAGE 2 OF 10

THIS DRAWING COVERS A PROPRIETARY ITEM AND IS THE PROPERTY OF MICRO SWITCH, A DIVISION OF HONEYWELL. THIS DRAWING IS NOT TO BE COPIED OR USED WITHOUT THE APPROVAL OF MICRO SWITCH.

**MICRO SWITCH**  
a Honeywell Division

**SWITCH - ENCLOSED**

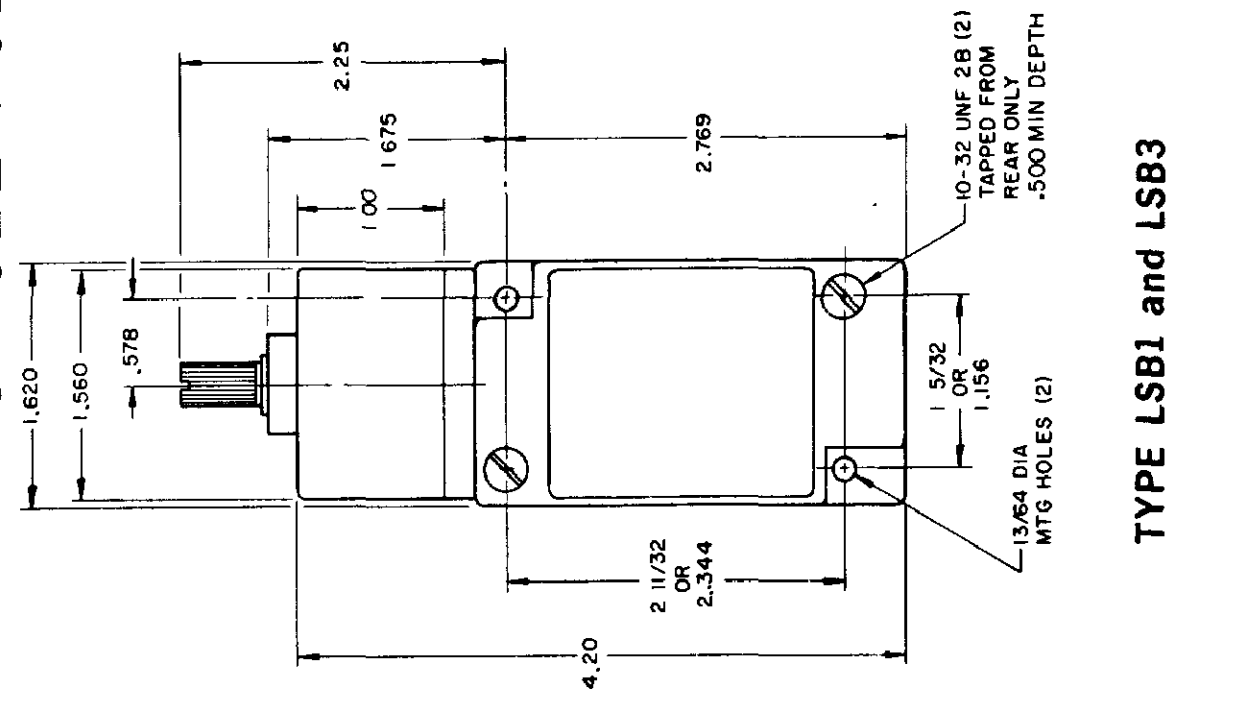
CATALOG LISTING  
**LSA-LSW SERIES CHART 1**

THIRD ANGLE PROJECTION	
SCALE NONE	
DO NOT SCALE PRINT	
UNLESS OTHERWISE SPECIFIED TOLERANCES ARE	
ONE PLACE ( )	±.030
TWO PLACES ( .00 )	±.015
THREE PLACES ( .000 )	±.005
ANGLES	±
WEIGHT	

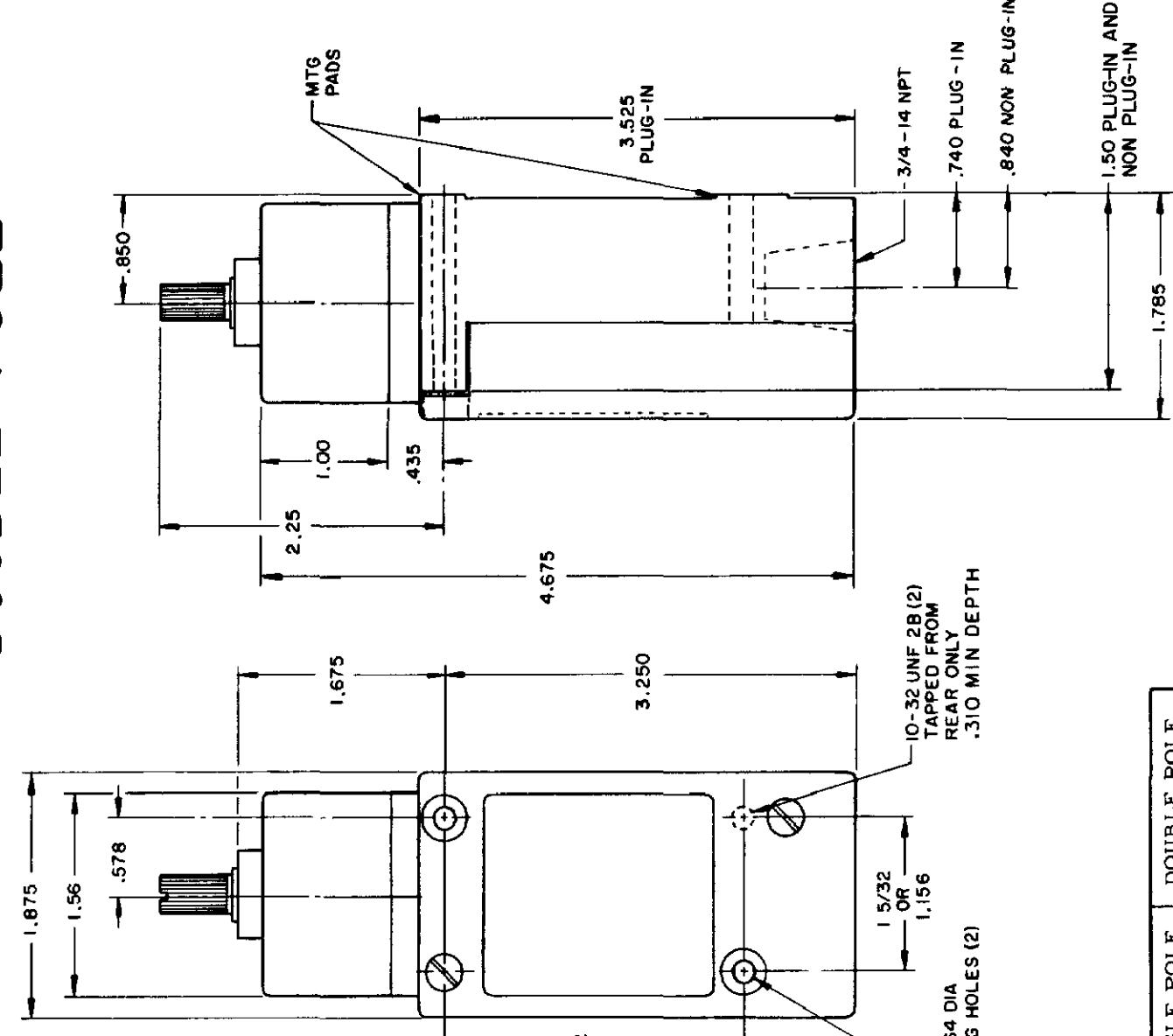
**TOP ROTARY**

**SINGLE POLE**

**DOUBLE POLE**



**TYPE LSB1 and LSB3**



**TYPE LSB2 and LSB4**  
 LSB6 and LSB7 have 1/2 - 14 NPT CONDUIT HOLE

	SINGLE POLE	DOUBLE POLE
PRETRAVEL MAX	25°	25°
OVERTRAVEL MIN	110°	110°
DIFFERENTIAL TRAVEL MAX	10°	12°
OPERATING TORQUE MAX	2 5 IN. LBS	2 5 IN. LBS
TOTAL TRAVEL (REF)	135°	135°

**ELECTRICAL RATINGS**

A.C. VOLTAGE	AMPS AT 35 POWER FACTOR			
	SINGL POLE		DOUBLE POLE	
	MAKE	BREAK	MAKE	BREAK
120	60	6	30	3
240	30	3	15	1.5
480	15	1.5	7.5	7.5
600	12	1.2	6	6

D.C. VOLTAGE	MAKE & BREAK	
	INDUCTIVE	RESISTIVE
120	0.25	0.80
240	0.15	0.40

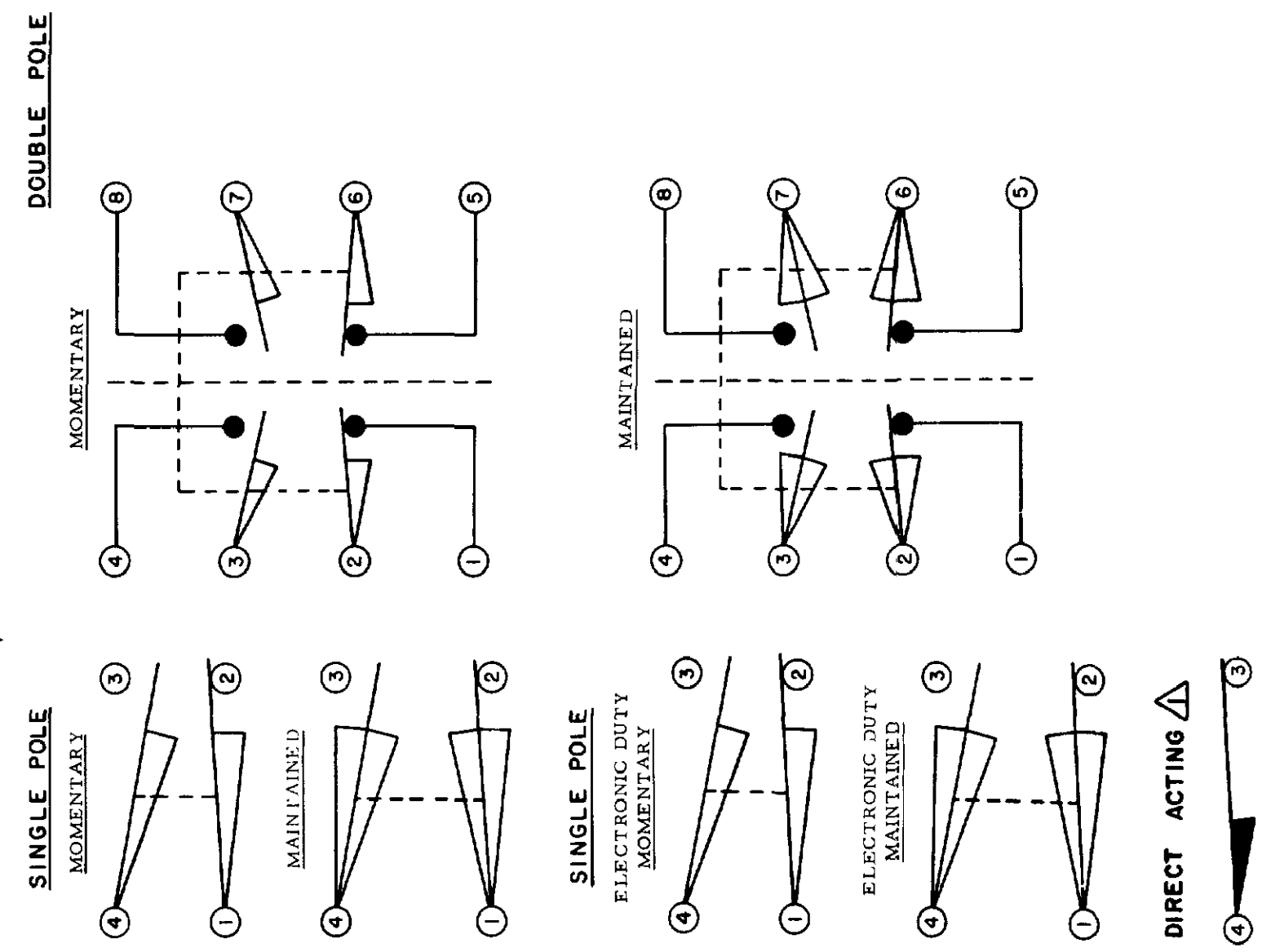
ELECTRONIC DUTY BASIC SWITCH  
 10 AMP CONT.

VOLTAGE	MAKE AND BREAK AMPS
5 AC OR DC MIN	01 AMP MIN
600 AC	720 VA
240 DC	30 WATT

DIRECT ACTING (ALSO RATED AT A.C. 10 AMP CONT.)

D.C. VOLTAGE	MAKE AND BREAK AMPS	
	INDUCTIVE	RESISTIVE
30	4.2	4.2
120	1.1	1.1
240	.55	.55

**WIRING BASIC SWITCH**  
 (SAME POLARITY MUST BE OBSERVED FOR EACH POLE)



NOTES  
 Δ DIFFERENTIAL TRAVEL ON ALL OPERATING CHARACTERISTICS NOT APPLICABLE

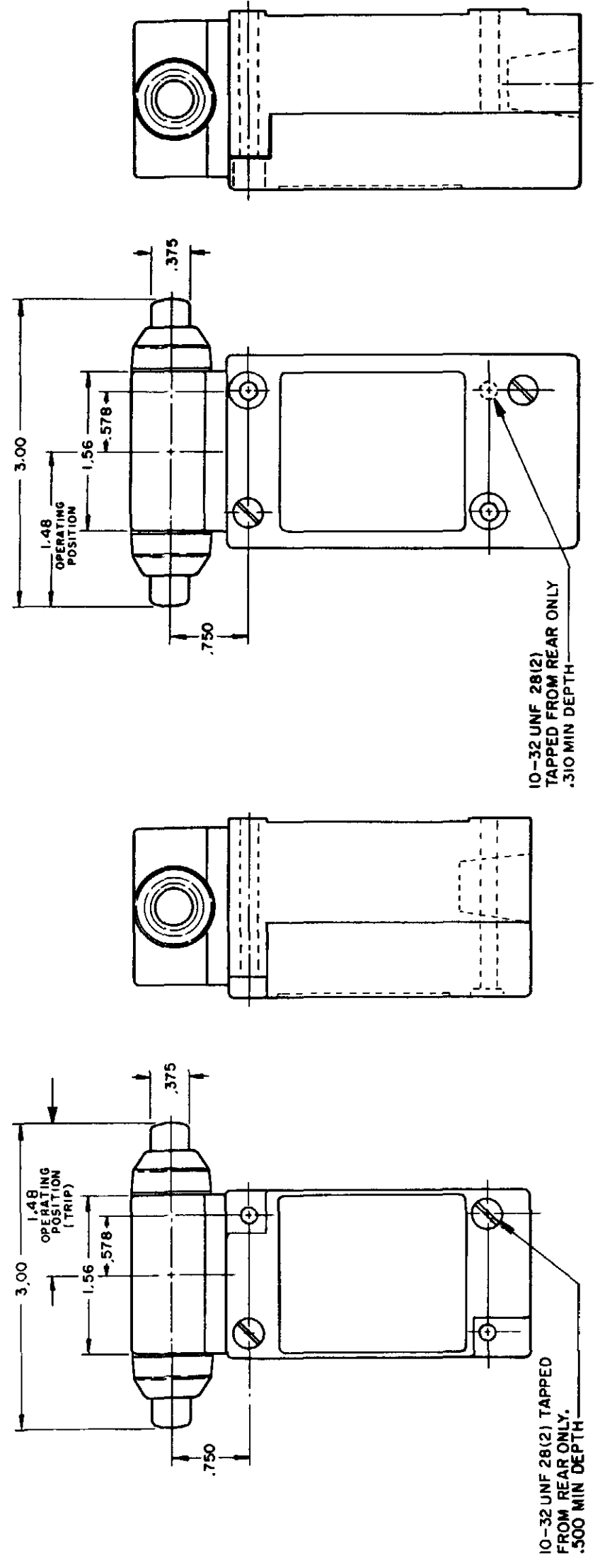




ISSUE 12 PSR 10JUL07 RELEASE NO CO-78498 REPLACES LSA-LSW SERIES

REVISIONS  
L 0031956  
M 10JUL07  
B 201004  
C 201748  
D 202198  
E 204871  
F 206581  
G 206763  
H 207179  
J 207474  
K 0006871

CATALOG LISTING  
**M** LSA-LSW SERIES CHART 1  
PAGE 6 OF 10  
11AUG04  
11JUL94  
15JUN94



TYPE LSG2 and LSG4

TYPE LSG1 and LSG3

INITIAL POSITION (FREE POSITION) } PRETRAVEL  
OPERATING POINT } DIFFERENTIAL TRAVEL  
FULL TRAVEL } OVERTRAVEL

TOP PLUNGER TYPES

CHARACTERISTICS	LSC PLUNGER		LSD ROLLER PLUNGER		LSV ADJ PLUNGER		SEQUENCE BASIC	
	PRETRAVEL (MAX)	DIFFERENTIAL TRAVEL (MAX)	SINGLE POLE	DOUBLE POLE	SINGLE POLE	DOUBLE POLE	1ST STEP	2ND STEP
PRETRAVEL (MAX)	.070	.070	.070	.070	.070	.070	.070	.070
DIFFERENTIAL TRAVEL (MAX)	.015	.020	.015	.020	.015	.020	.015	.020
OVERTRAVEL (MIN)	.190	.190	.190	.190	.190	.190	.170	.170
OPERATING FORCE (MAX)	4 LBS	4 LBS	4 LBS	4 LBS	4 LBS	4 LBS	4 LBS	4 LBS
OPERATING POINT	1.805 ± .030	2.200 ± .040	2.085 MIN	2.335 MAX	2.085 MIN	2.335 MAX	1.815 ± .030	2.210 ± .040
FULL OVERTRAVEL FORCE (MAX)	7 LBS	7 LBS	7 LBS	7 LBS	7 LBS	7 LBS	7 LBS	7 LBS

SIDE PLUNGER TYPES

CHARACTERISTICS	LSE PLUNGER		LSF ROLLER PLUNGER		LSW ADJ PLUNGER		SEQUENCE BASIC	
	PRETRAVEL (MAX)	DIFFERENTIAL TRAVEL (MAX)	SINGLE POLE	DOUBLE POLE	SINGLE POLE	DOUBLE POLE	1ST STEP	2ND STEP
PRETRAVEL (MAX)	.100	.100	.100	.100	.170	.170	.100	.100
DIFFERENTIAL TRAVEL (MAX)	.045	.045	.045	.045	.090	.090	.020	.020
OVERTRAVEL (MIN)	.190	.190	.190	.190	.080	.080	.170	.170
OPERATING FORCE (MAX)	6 LBS	6 LBS	6 LBS	6 LBS	10 LBS	10 LBS	6 LBS	6 LBS
OPERATING POINT	1.300 ± .030	1.735 ± .040	ADJUSTABLE FROM	ADJUSTABLE FROM	1.480 ± .030	1.480 ± .030	1.310 ± .030	1.745 ± .040
FULL OVERTRAVEL FORCE (MAX)	6 LBS	6 LBS	6 LBS	6 LBS	10 LBS	10 LBS	6 LBS	6 LBS

THIS DRAWING COVERS A PROPRIETARY ITEM AND IS THE PROPERTY OF MICRO SWITCH, A DIVISION OF HONEYWELL. THIS DRAWING IS NOT TO BE COPIED OR USED WITHOUT THE APPROVAL OF MICRO SWITCH.

**MICRO SWITCH** a Honeywell Division  
FED MFG CODE 91929

**SWITCH - ENCLOSED**

CATALOG LISTING  
**LSA-LSW SERIES CHART 1**

SCALE NONE  
DO NOT SCALE PRINT  
DIMENSIONS ARE IN INCHES  
**TOLERANCES**  
ONE PLACE (.0)  
TWO PLACE (.00)  
THREE PLACE (.000)  
ANGLES  
WEIGHT





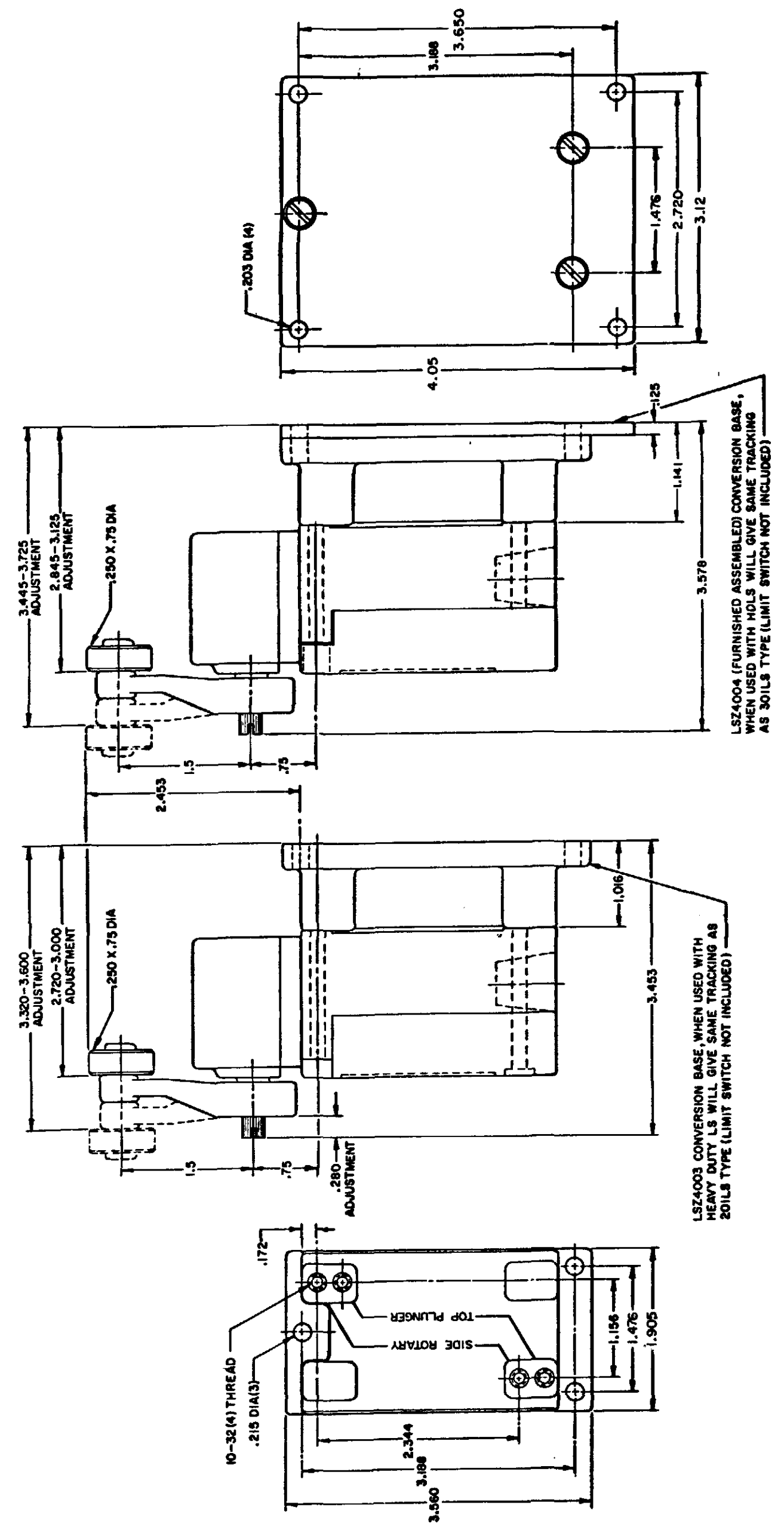


ISSUE	12	PSR	10JUL07	RELEASE NO	CO-78498	REPLACES	LSA-LSW SERIES																																																							
CATALOG LISTING	LSA-LSW SERIES CHART 1																																																													
PAGE	9 OF 10																																																													
REVISIONS	<table border="1"> <tr> <th>REV</th> <th>DATE</th> <th>BY</th> <th>CHKD</th> <th>DESCRIPTION</th> </tr> <tr> <td>L</td> <td>0031956</td> <td>BS</td> <td>10JUL07</td> <td></td> </tr> <tr> <td>B</td> <td>201004</td> <td>BS</td> <td>10AUG00</td> <td></td> </tr> <tr> <td>C</td> <td>201748</td> <td>CSL</td> <td>23JAN01</td> <td></td> </tr> <tr> <td>D</td> <td>202198</td> <td>CSL</td> <td>17NOV00</td> <td></td> </tr> <tr> <td>E</td> <td>204871</td> <td>GJW</td> <td>FEB02</td> <td></td> </tr> <tr> <td>F</td> <td>206581</td> <td>GLH</td> <td>14OCT02</td> <td></td> </tr> <tr> <td>G</td> <td>206763</td> <td>CSL</td> <td>31OCT02</td> <td></td> </tr> <tr> <td>H</td> <td>207179</td> <td>GLH</td> <td>14JAN03</td> <td></td> </tr> <tr> <td>J</td> <td>207474</td> <td>CSL</td> <td>18FEB03</td> <td></td> </tr> <tr> <td>K</td> <td>0006871</td> <td>KR</td> <td>11AUG04</td> <td></td> </tr> </table>							REV	DATE	BY	CHKD	DESCRIPTION	L	0031956	BS	10JUL07		B	201004	BS	10AUG00		C	201748	CSL	23JAN01		D	202198	CSL	17NOV00		E	204871	GJW	FEB02		F	206581	GLH	14OCT02		G	206763	CSL	31OCT02		H	207179	GLH	14JAN03		J	207474	CSL	18FEB03		K	0006871	KR	11AUG04	
REV	DATE	BY	CHKD	DESCRIPTION																																																										
L	0031956	BS	10JUL07																																																											
B	201004	BS	10AUG00																																																											
C	201748	CSL	23JAN01																																																											
D	202198	CSL	17NOV00																																																											
E	204871	GJW	FEB02																																																											
F	206581	GLH	14OCT02																																																											
G	206763	CSL	31OCT02																																																											
H	207179	GLH	14JAN03																																																											
J	207474	CSL	18FEB03																																																											
K	0006871	KR	11AUG04																																																											
DATE	15 JUN 94	CHKD	JAF	DATE	15 JUN 94	CHKD	JAF																																																							
DRAWN	MAM																																																													

# CONVERSION BASES

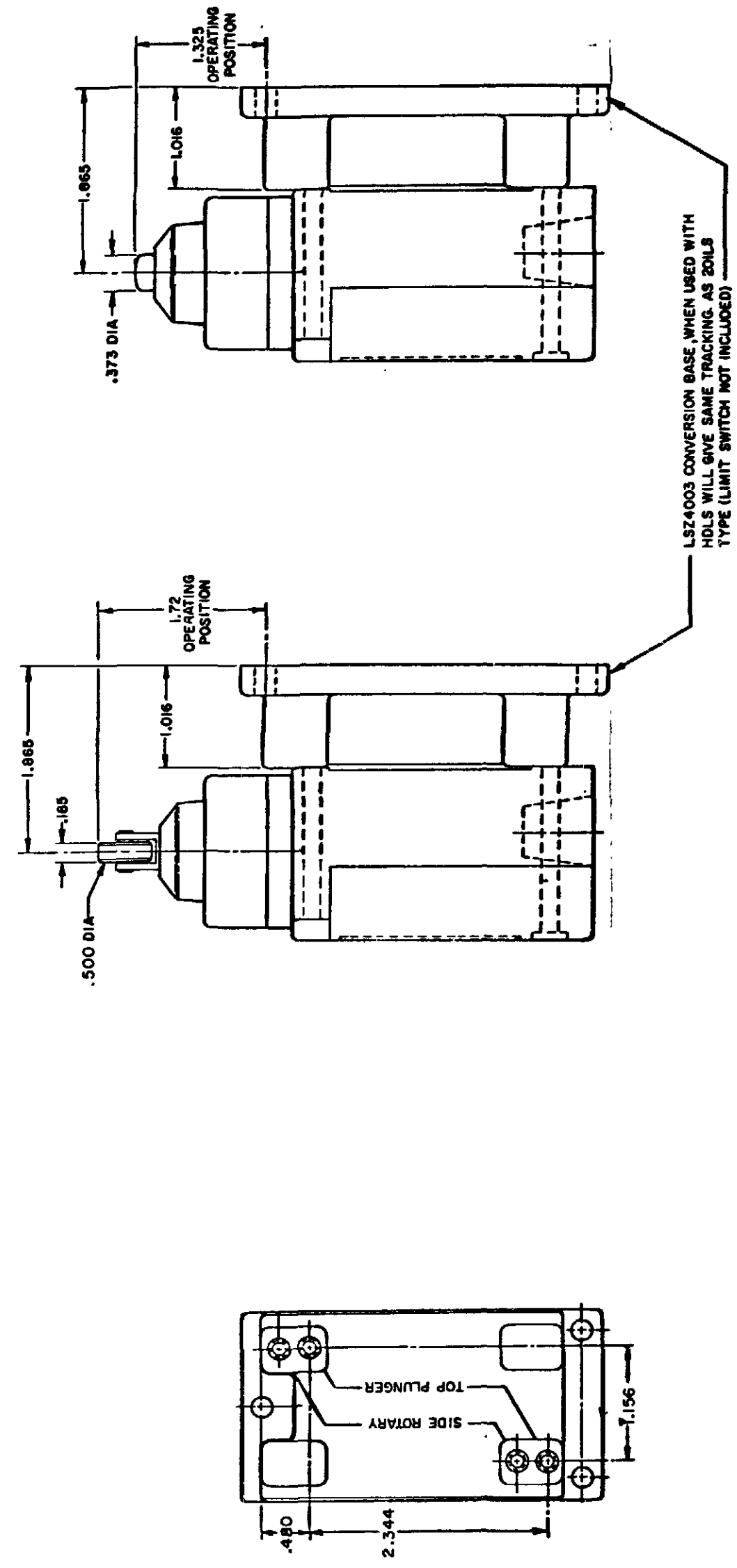
## SINGLE POLE (SIDE ROTARY) LSZ 4003

## DOUBLE POLE (SIDE ROTARY) LSZ 4004



NOTE  
SEE OTHER PAGES OF LSA-LSW  
(M) DRAWING FOR DIMENSION OF LIMITS

## SINGLE POLE TOP PLUNGER LSZ 4003



NOTE  
SEE OTHER PAGES OF LSA-LSW  
(M) DRAWING FOR DIMENSION OF LIMIT SWITCH

THIS DRAWING COVERS A PROPRIETARY ITEM AND IS THE PROPERTY OF MICRO SWITCH, A DIVISION OF HONEYWELL. THIS DRAWING IS NOT TO BE COPIED OR USED WITHOUT THE APPROVAL OF MICRO SWITCH.

**MICRO SWITCH**  
a Honeywell Division

SWITCH - ENCLOSED

CATALOG LISTING  
**LSA-LSW SERIES**  
CHART 1

SCALE FULL  
DO NOT SCALE PRINT

PAGE 9 OF 10

HEAD TYPE	CELLULUBE	DETERGENT	5 STAR	ASTM #1	ASTM #2	ASTM #3	ASTM #4	HOUGHTON SAFE 271	HOUGHTON SAFE 820	HOUGHTON SAFE 1010, 1055	MINERAL OIL	PETR. OIL CRUDE	SILICON GR & OIL	SUNSAFE	BEER	STODDARD SOLV.	CHLORINATED SOLVENTS	CITRIC ACID	D-ESTER SYN. LUBRICANTS	OZONE	HYDRAUL	PROGUARD	PETRO. BASE HYDRAULIC OIL	LARD OIL	SILICATE ESTERS
LSA	4	1	1	1	1	2	1	4	1	1	1	1	1	1	4	1	2	4	4	4	4	1	1	2	
LSB	4	1	1	1	1	2	1	4	1	1	1	1	1	1	4	1	2	4	4	4	4	1	1	2	
LSC	4	2	2	1	2	4	4	2	4	2	2	1	2	1	2	4	1	4	3	4	4	2	2	2	
LSD	4	2	2	1	2	4	4	2	4	2	2	1	2	1	2	4	1	4	3	4	4	2	2	2	
LSE	4	2	2	1	2	4	4	2	4	2	2	1	2	1	2	4	1	4	3	4	4	2	2	2	
LSF	4	2	2	1	2	4	4	2	4	2	2	1	2	1	2	4	1	4	2	4	4	2	2	2	
LSG	4	2	2	1	2	4	4	2	4	2	2	1	2	1	2	4	1	4	3	4	4	2	2	2	
LSH	4	1	1	1	1	2	1	4	1	1	1	1	1	1	4	1	2	4	4	4	4	1	1	2	
LSJ	4	2	2	1	2	4	4	2	4	2	2	1	2	1	2	4	1	4	3	4	4	2	2	2	
LSK	4	2	2	1	2	4	4	2	4	2	2	1	2	1	2	4	1	4	3	4	4	2	2	2	
LSL	4	1	1	1	1	2	1	4	1	1	1	1	1	1	4	1	2	4	4	4	4	1	1	2	
LSM	4	1	1	1	1	2	1	4	1	1	1	1	1	1	4	1	2	4	4	4	4	1	1	2	
LSN	4	1	1	1	1	2	1	4	1	1	1	1	1	1	4	1	2	4	4	4	4	1	1	2	
LSP	4	1	1	1	1	2	1	4	1	1	1	1	1	1	4	1	2	4	4	4	4	1	1	2	
LSR	4	1	1	1	1	2	1	4	1	1	1	1	1	1	4	1	2	4	4	4	4	1	1	2	
LSV	4	2	2	1	2	4	4	2	4	2	2	1	2	1	2	4	1	4	3	4	4	2	2	2	
LSW	4	2	2	1	2	4	4	2	4	2	2	1	2	1	2	4	1	4	2	4	4	2	2	2	
LST	UNSEALED DEVICE, INTENDED TO MEET NEMA 1 ONLY																								
LSS	UNSEALED DEVICE, INTENDED TO MEET NEMA 1 ONLY																								

CODE: 1 SATISFACTORY 2 FAIR 3 DOUBTFUL 4 UNSATISFACTORY

TYPES	LOW LIMIT	HIGH LIMIT
LSA	+10°F	+250°F
LSB	+30°F	+250°F
LSC	+10°F	+200°F
LSD	+10°F	+200°F
LSE	+10°F	+200°F
LSF	+10°F	+200°F
LSG	+30°F	+200°F
LSH	+30°F	+250°F
LSJ	+10°F	+200°F
LSK	+10°F	+200°F
LSL	+10°F	+250°F
LSM	+30°F	+250°F
LSN	+30°F	+250°F
LSP	+10°F	+250°F
LSR	+30°F	+250°F
LSV	+10°F	+200°F
LSW	+10°F	+200°F
LST	+30 F	+170°F
LSS	+30°F	+170°F

CATALOG LISTING  
**M** LSA-LSW SERIES CHART 1  
 PAGE 10 OF 10  
 ISSUE 12  
 PSR 10JUL07  
 RELEASE NO. CO-78498  
 REPLACES LSA-LSW SERIES  
 REVISIONS  
 L 0031956 BS 10JUL07  
 B 201004 10AUG00  
 C 201748 17NOV00  
 D 202198 23JAN01  
 E 204871  
 F 206581 14OCT02  
 G 206783 31OCT02  
 H 207179 14JAN03  
 J 207474  
 K 0006871 18FEB03  
 11AUG04  
 11JUL94  
 15JUN94  
 RASTER DRAWN  
 MAM

THIS DRAWING COVERS A PROPRIETARY ITEM AND IS THE PROPERTY OF MICRO SWITCH A DIVISION OF HONEYWELL THIS DRAWING IS NOT TO BE COPIED OR USED WITHOUT THE APPROVAL OF MICRO SWITCH

**MICRO SWITCH**  
 a Honeywell Division

SWITCH - ENCLOSED

LSA-LSW SERIES  
 CHART 1

CATALOG LISTING

FED. MFG. CODE 91929



Компания «ЭлектроПласт» предлагает заключение долгосрочных отношений при поставках импортных электронных компонентов на взаимовыгодных условиях!

Наши преимущества:

- Оперативные поставки широкого спектра электронных компонентов отечественного и импортного производства напрямую от производителей и с крупнейших мировых складов;
- Поставка более 17-ти миллионов наименований электронных компонентов;
- Поставка сложных, дефицитных, либо снятых с производства позиций;
- Оперативные сроки поставки под заказ (от 5 рабочих дней);
- Экспресс доставка в любую точку России;
- Техническая поддержка проекта, помощь в подборе аналогов, поставка прототипов;
- Система менеджмента качества сертифицирована по Международному стандарту ISO 9001;
- Лицензия ФСБ на осуществление работ с использованием сведений, составляющих государственную тайну;
- Поставка специализированных компонентов (Xilinx, Altera, Analog Devices, Intersil, Interpoint, Microsemi, Aeroflex, Peregrine, Syfer, Eurofarad, Texas Instrument, Miteq, Cobham, E2V, MA-COM, Hittite, Mini-Circuits, General Dynamics и др.);

Помимо этого, одним из направлений компании «ЭлектроПласт» является направление «Источники питания». Мы предлагаем Вам помощь Конструкторского отдела:

- Подбор оптимального решения, техническое обоснование при выборе компонента;
- Подбор аналогов;
- Консультации по применению компонента;
- Поставка образцов и прототипов;
- Техническая поддержка проекта;
- Защита от снятия компонента с производства.



#### Как с нами связаться

**Телефон:** 8 (812) 309 58 32 (многоканальный)

**Факс:** 8 (812) 320-02-42

**Электронная почта:** [org@eplast1.ru](mailto:org@eplast1.ru)

**Адрес:** 198099, г. Санкт-Петербург, ул. Калинина, дом 2, корпус 4, литера А.