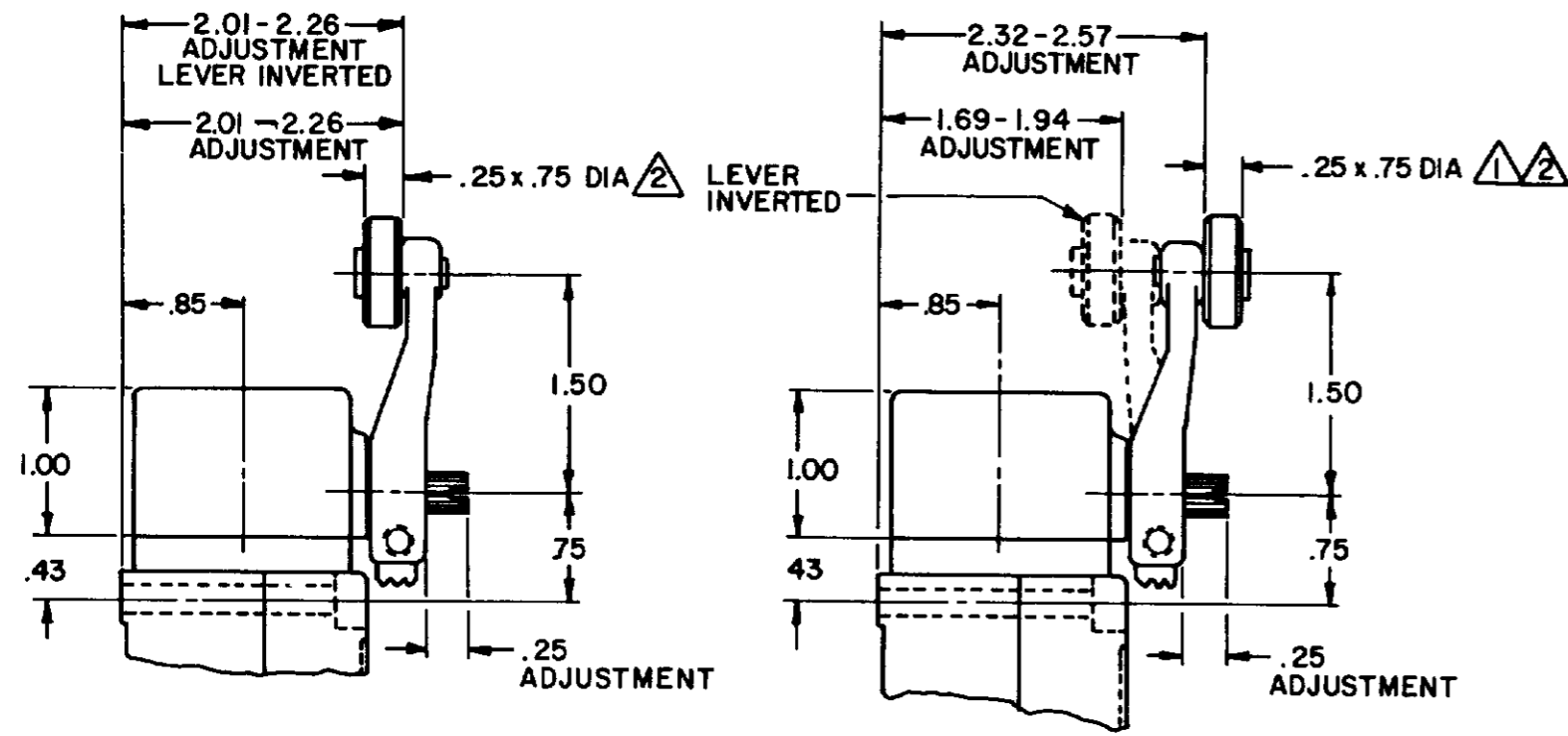
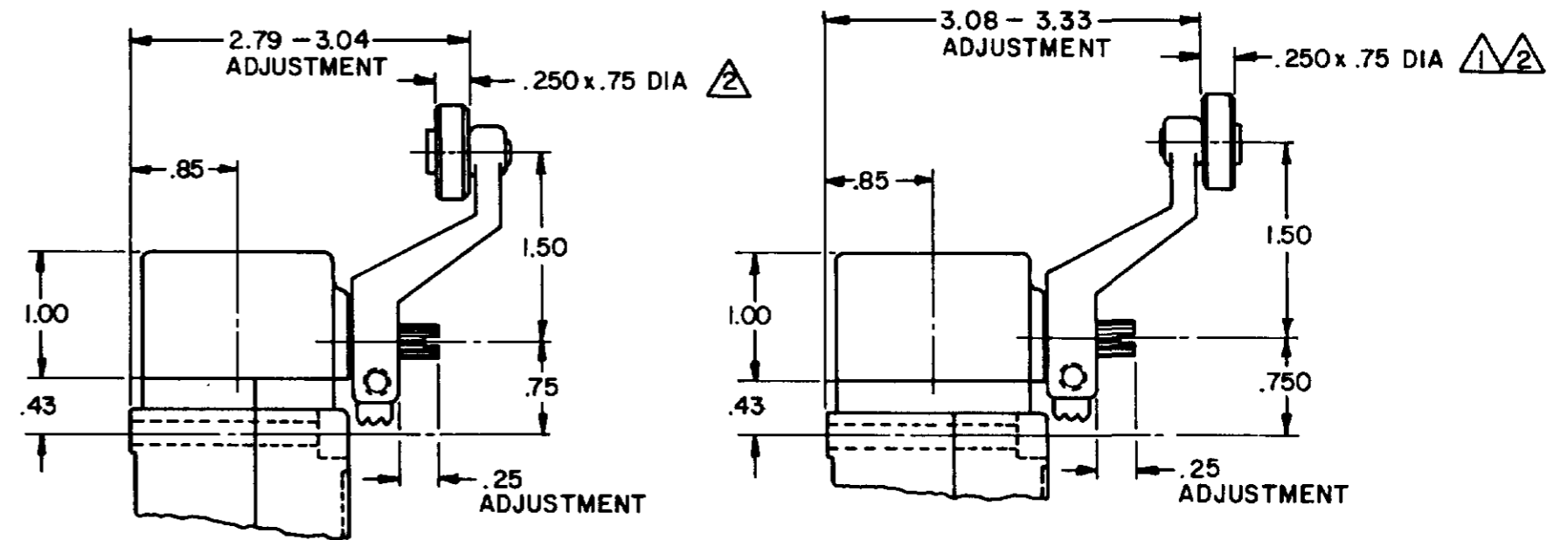


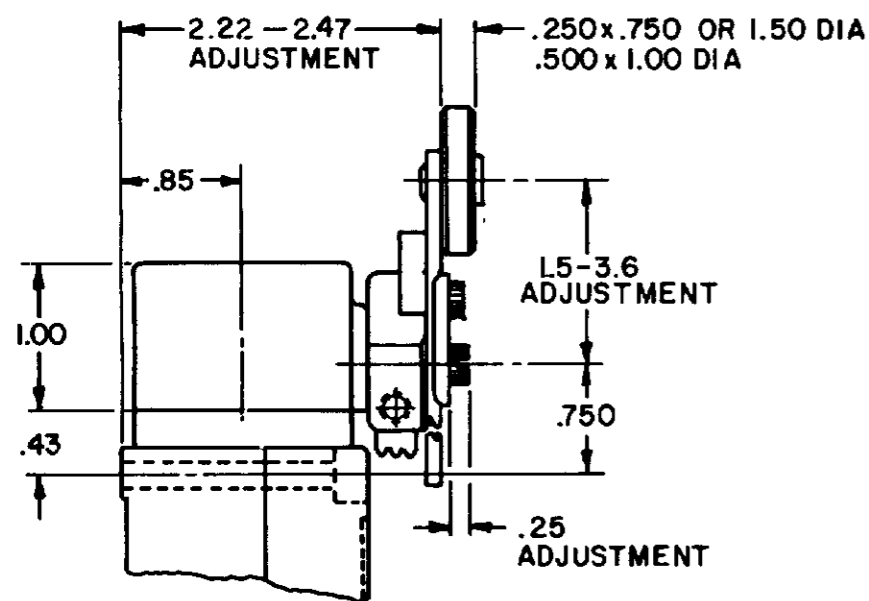
SIDE ROTARY CAM TRACKING



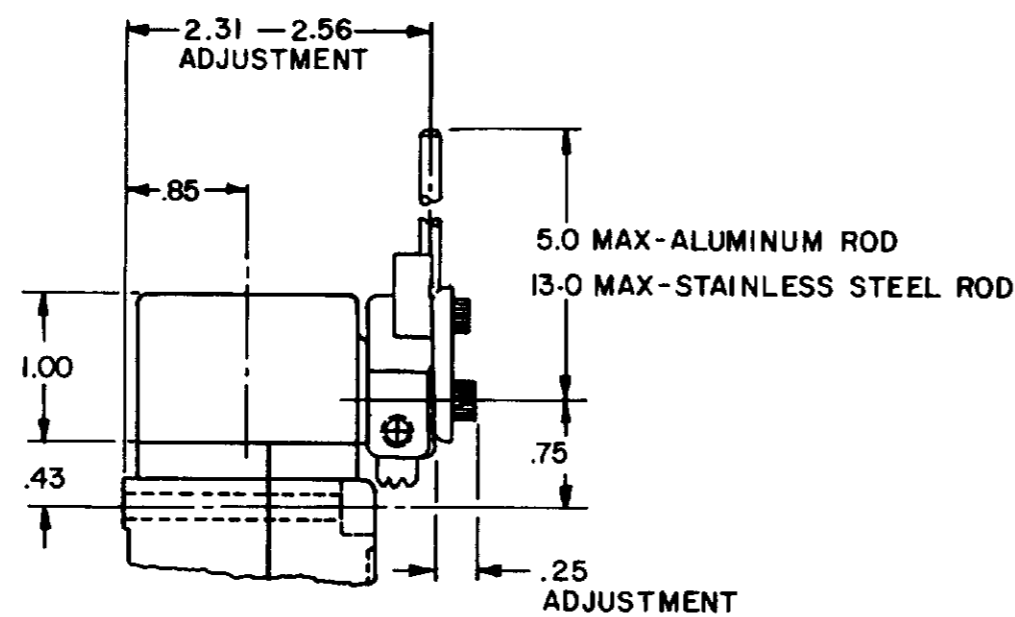
LSZ51 TYPE LEVERS



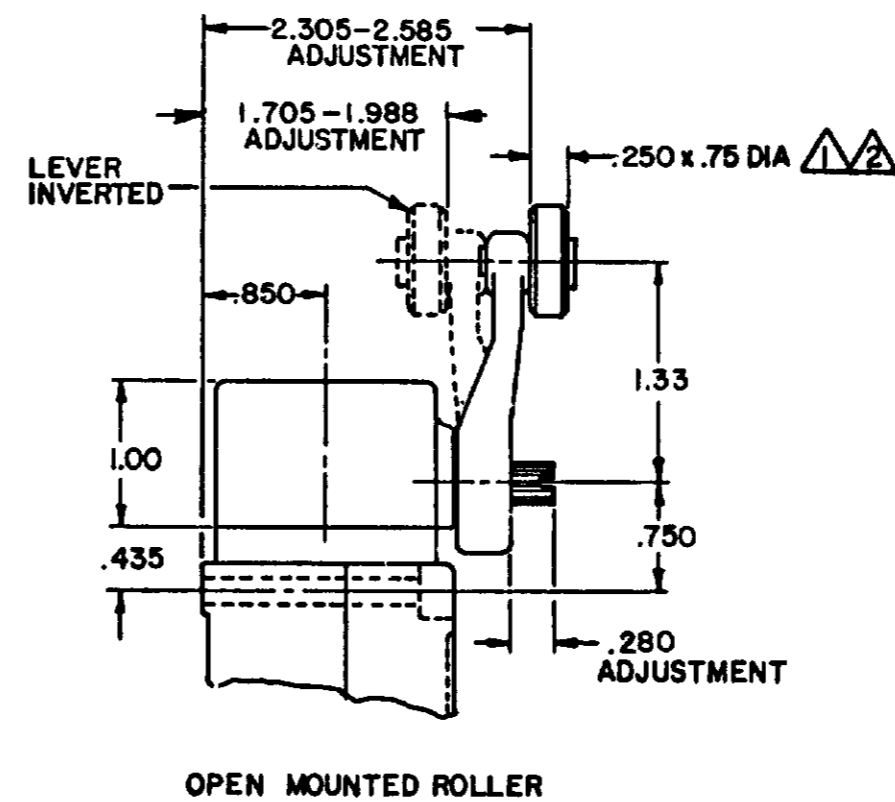
LSZ55 TYPE LEVERS



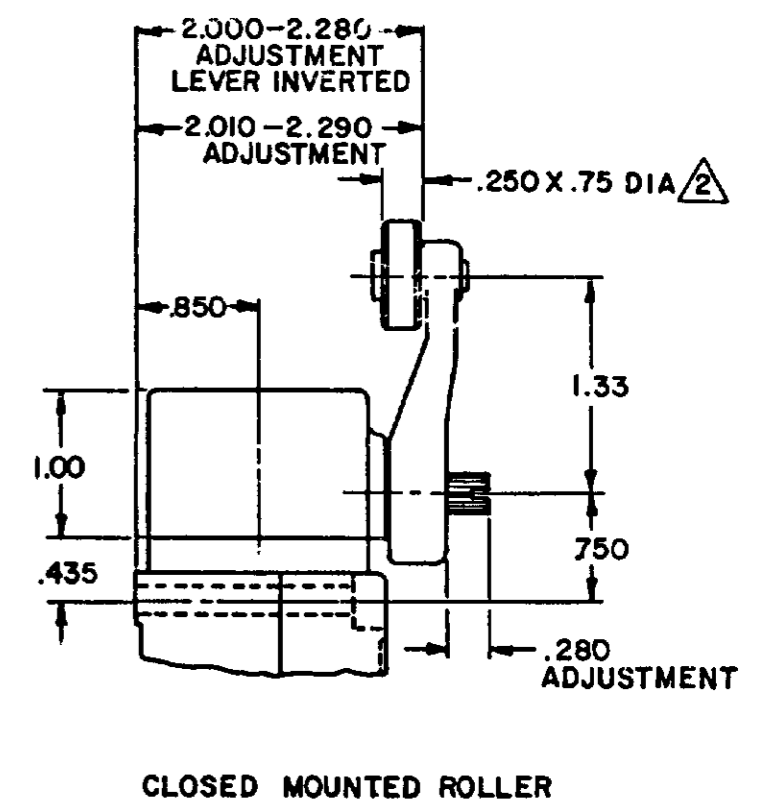
LSZ52 TYPE LEVER



LSZ54 TYPE LEVER



OPEN MOUNTED ROLLER



CLOSED MOUNTED ROLLER

LSZ59 TYPE LEVERS

NOTES

- 1 ALSO AVAILABLE IN Ø.250 X 1.500 NYLON, BUT LEVER CANNOT BE INVERTED
- 2 FOR ADDITIONAL ROLLER WIDTHS AND/OR DIAMETERS REFER TO "M" DRAWING
- 3 - FOR ADDITIONAL TYPES OF ROLLERS AND LEVERS REFER TO LSZ CHART 1 "M" DRAWING

CATALOG LISTING LSA-LSW SERIES CHART 1 PAGE 2 OF 10
 ISSUE 12 PSR 10JUL07 RELEASE NO. CO-78498 REPLACES LSA-LSW SERIES
 REVISIONS: L 0031956 BS 10JUL07 B 201004 C.S.L. 10AUG00 C 201748 C.S.L. 17NOV00 D 202198 C.S.L. 23JAN01 E 204871 C.T.W. FEB 02 F 206581 G.L.H. 14OCT02 G 206763 C.S.L. 31OCT02 H 207179 G.L.H. 14JAN03 J 207474 S.H. 18FEB03 K 0006871 RR 11AUG04
 DRAWN MAM 15 JUN 94 CHECK JAF 11 JUL 94
 RASTER

PAGE 2 OF 10

THIS DRAWING COVERS A PROPRIETARY ITEM AND IS THE PROPERTY OF MICRO SWITCH, A DIVISION OF HONEYWELL. THIS DRAWING IS NOT TO BE COPIED OR USED WITHOUT THE APPROVAL OF MICRO SWITCH.

MICRO SWITCH
a Honeywell Division

SWITCH - ENCLOSED

CATALOG LISTING
LSA-LSW SERIES CHART 1

THIRD ANGLE PROJECTION	
SCALE NONE	
DO NOT SCALE PRINT	
UNLESS OTHERWISE SPECIFIED TOLERANCES ARE	
ONE PLACE ()	±.030
TWO PLACES (00)	±.015
THREE PLACES (0.000)	±.005
ANGLES	±
WEIGHT	

ISSUE 12 PSR 10JUL07 RELEASE NO CO-78498 REPLACES LSA-LSW SERIES

REV. S I O N S
 L 0031958
 1 JUL 07
 B 201004
 10 AUG 00
 C 201748
 D 202198
 E 204871
 F 206581
 G 206763
 H 207179
 J 207474
 K 0006871

CHECK 11AUG04
 CHECK 1 JUL 94
 CHECK JAF

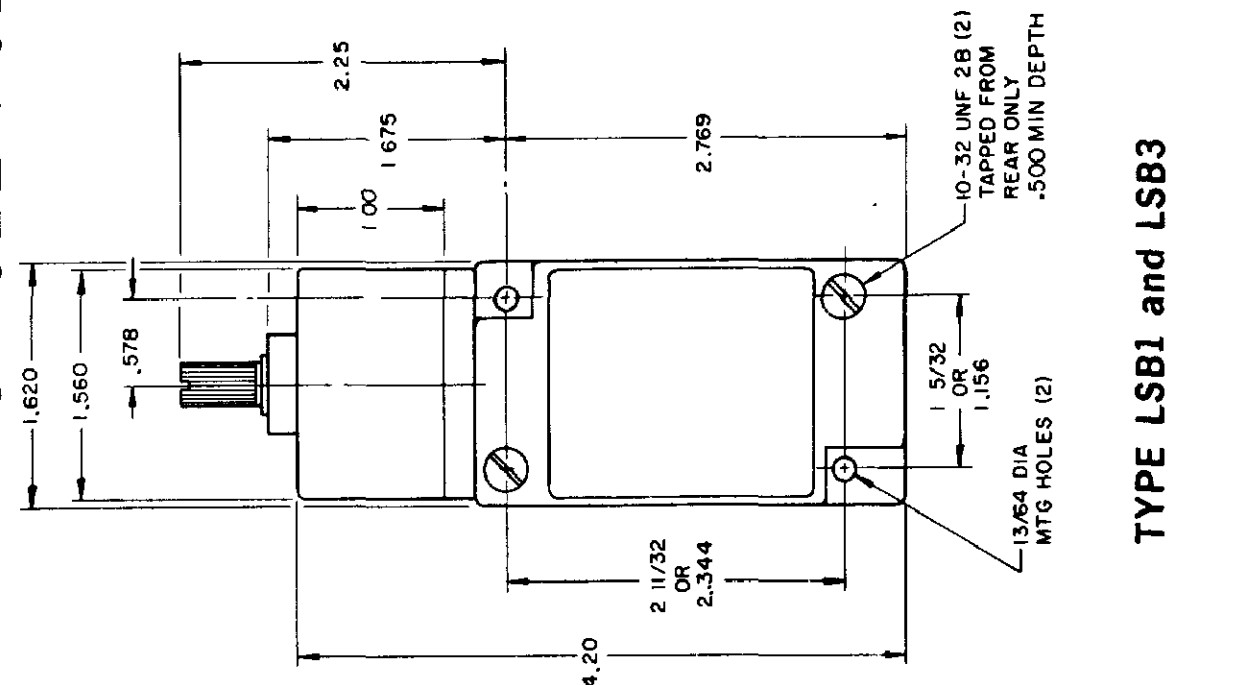
MAM 15 JUN 94

RASTER
 DRAWN

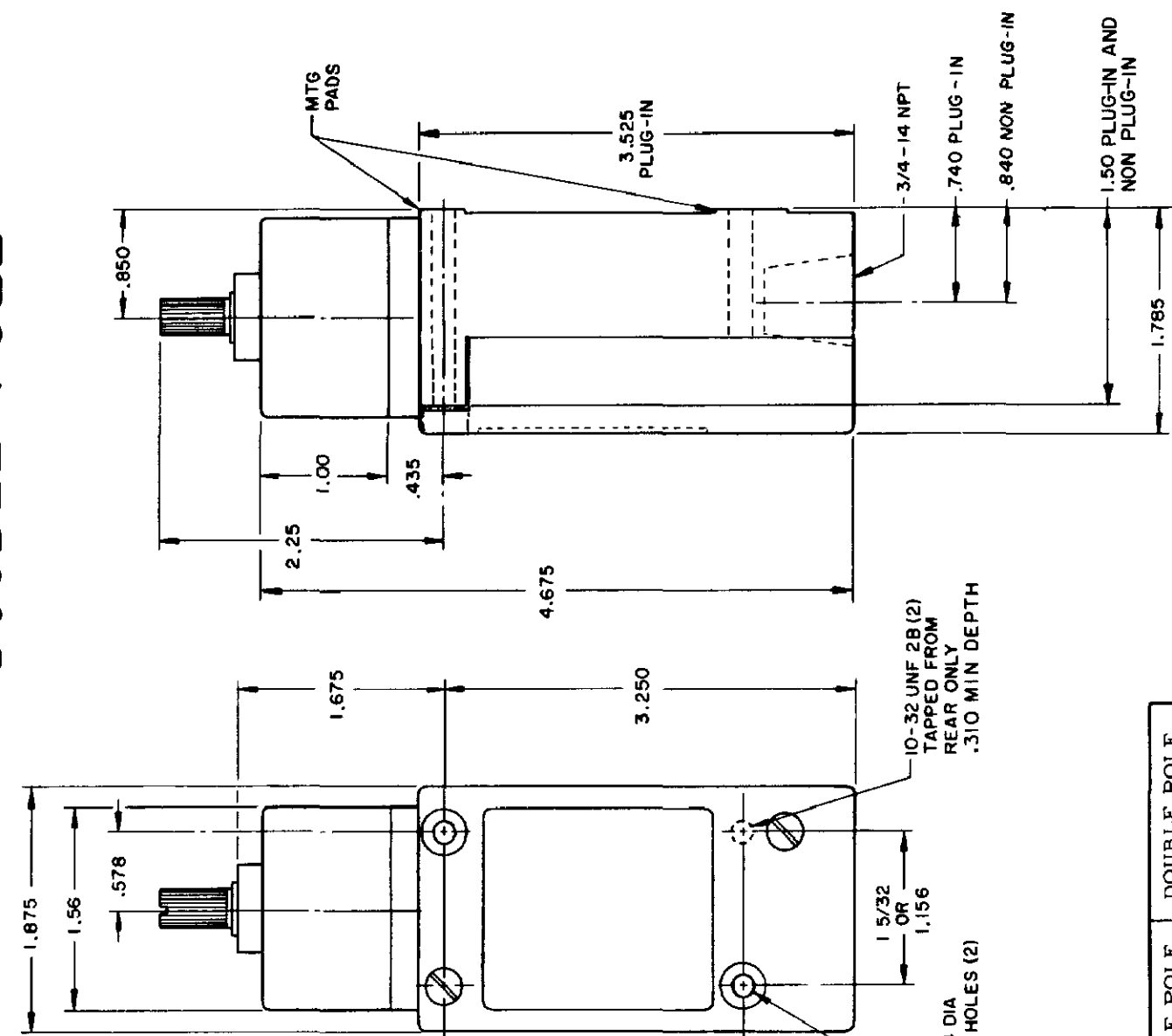
TOP ROTARY

SINGLE POLE

DOUBLE POLE



TYPE LSB1 and LSB3



TYPE LSB2 and LSB4

LSB6 and LSB7 have 1/2 - 14 NPT CONDUIT HOLE

	SINGLE POLE	DOUBLE POLE
PRETRAVEL MAX	25°	25°
OVERTRAVEL MIN	110°	110°
DIFFERENTIAL TRAVEL MAX	10°	12°
OPERATING TORQUE MAX	2 5 IN. LBS	2 5 IN. LBS
TOTAL TRAVEL (REF)	135°	135°

ELECTRICAL RATINGS

A.C. VOLTAGE	AMPS AT 35 POWER FACTOR			
	SINGLF POLE		DOUBLE POLE	
	MAKE	BREAK	MAKE	BREAK
120	60	6	30	3
240	30	3	15	1.5
480	15	1.5	7.5	75
600	12	1.2	6	6

D.C. VOLTAGE	MAKE & BREAK	
	INDUCTIVE	RESISTIVE
120	0.25	0.80
240	0.15	0.40

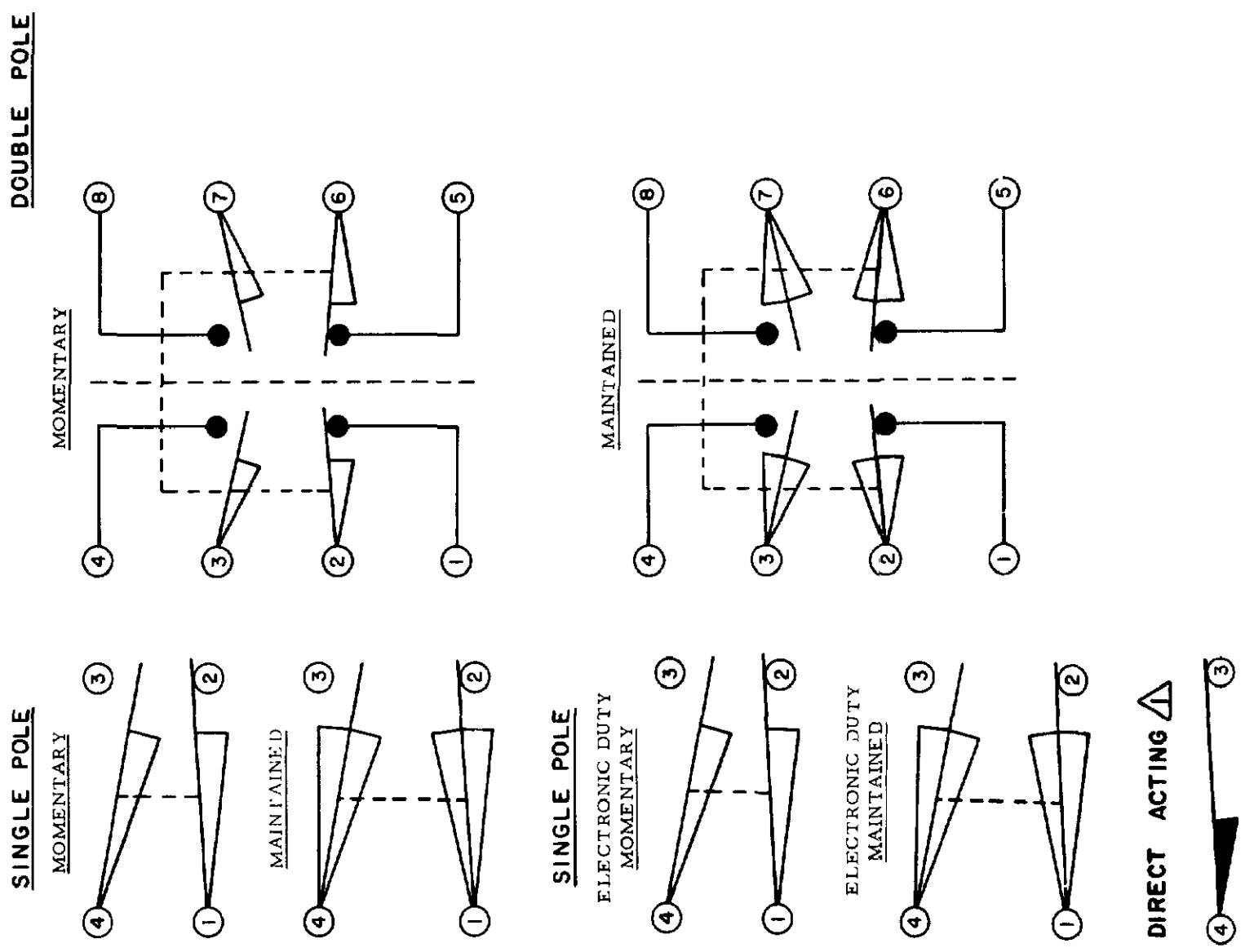
ELECTRONIC DUTY BASIC SWITCH
 10 AMP CONT.

VOLTAGE	MAKE AND BREAK AMPS	
	INDUCTIVE	RESISTIVE
5 AC OR DC MIN	01 AMP MIN	
600 AC	720 VA	
240 DC	30 WATT	

DIRECT ACTING (ALSO RATED AT A.C. 10 AMP CONT.)

D.C. VOLTAGE	MAKE AND BREAK AMPS	
	INDUCTIVE	RESISTIVE
30	4.2	4.2
120	1.1	1.1
240	.55	.55

WIRING BASIC SWITCH (SAME POLARITY MUST BE OBSERVED FOR EACH POLE)

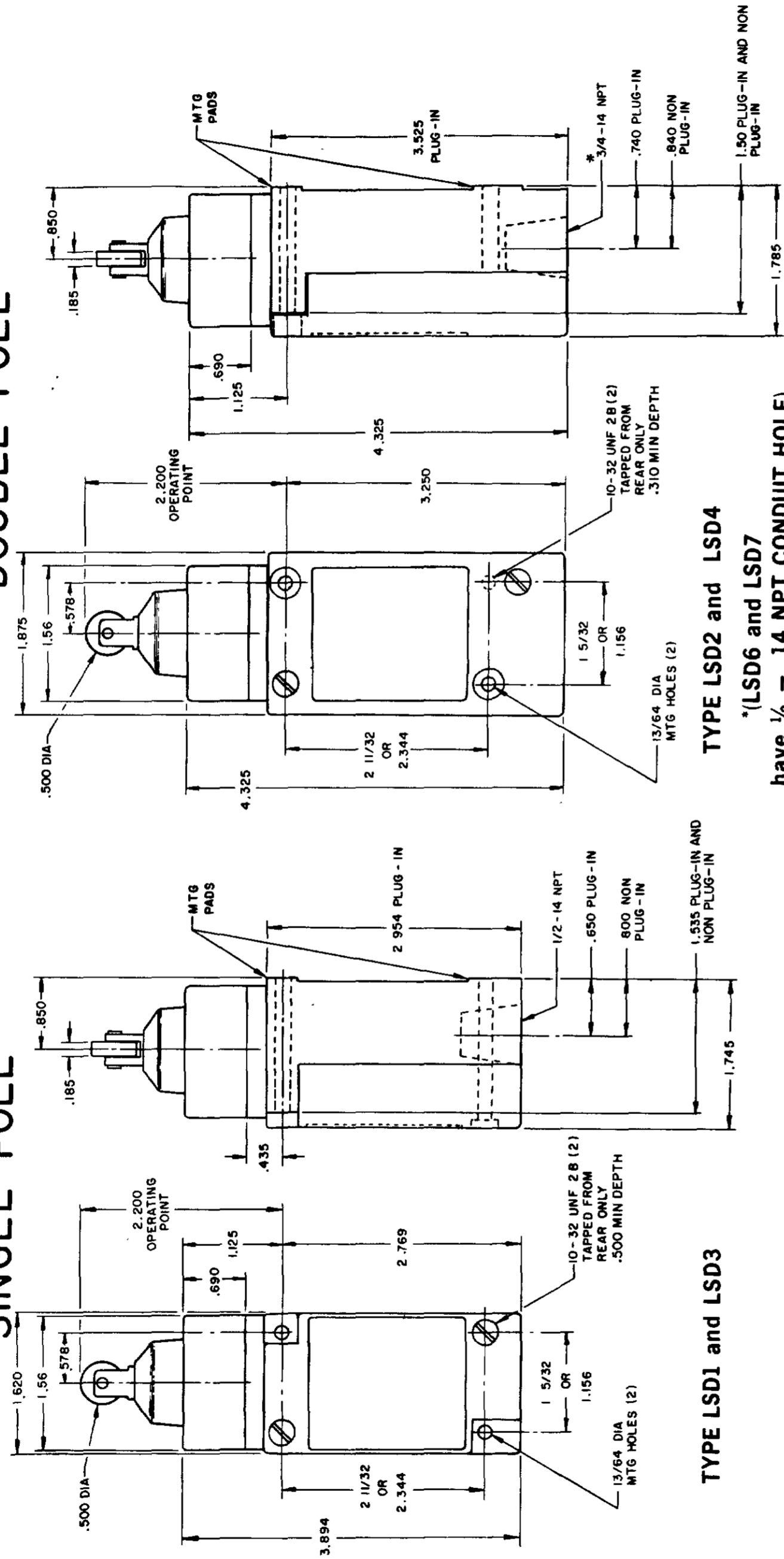


NOTES
 Δ DIFFERENTIAL TRAVEL ON ALL OPERATING CHARACTERISTICS NOT APPLICABLE

PLUNGER TYPE TOP

SINGLE POLE

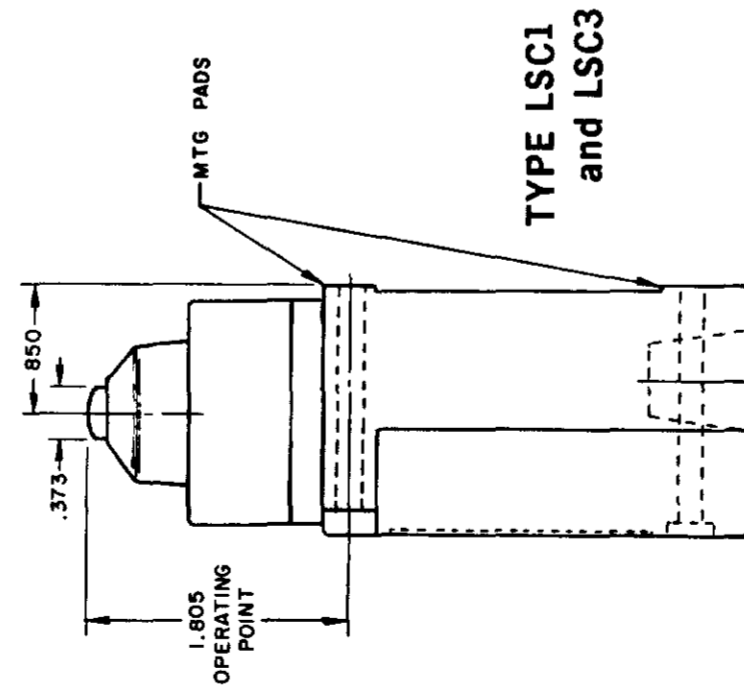
DOUBLE POLE



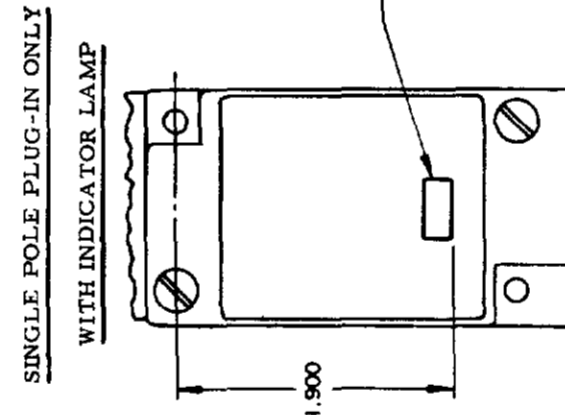
TYPE LSD1 and LSD3

TYPE LSD2 and LSD4

*(LSD6 and LSD7 have 1/2 - 14 NPT CONDUIT HOLE)

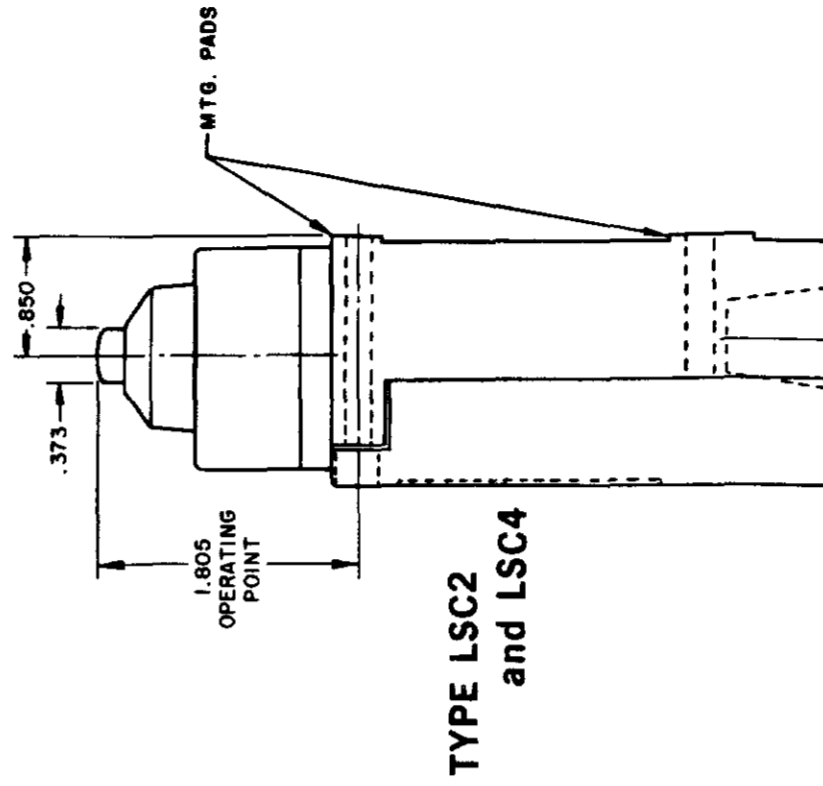


TYPE LSC1 and LSC3

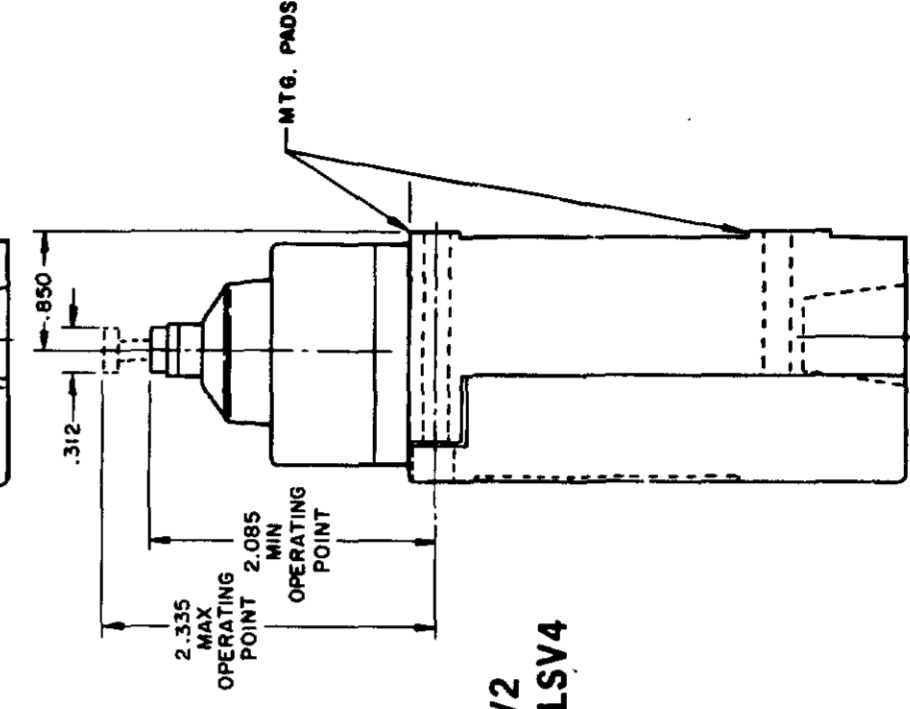


120 LAMP VOLTAGE - TYPE LSC5, LSD5 or LSV5

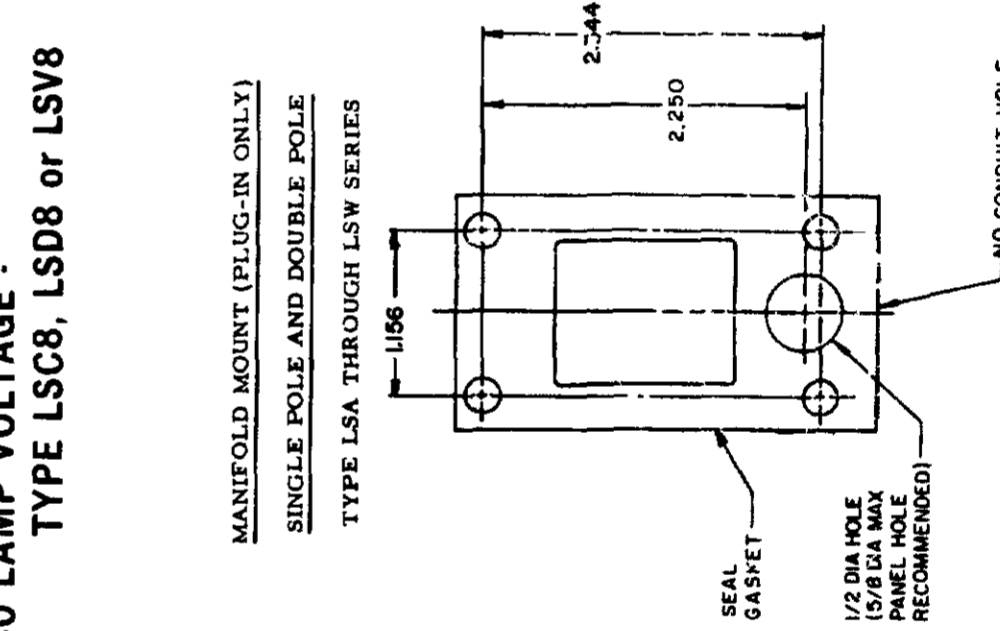
240 LAMP VOLTAGE - TYPE LSC8, LSD8 or LSV8



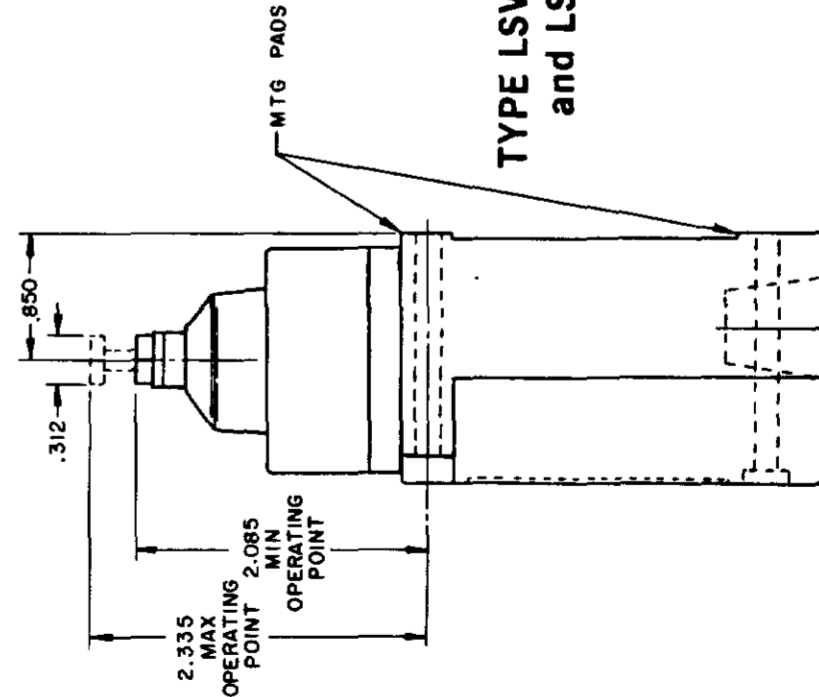
TYPE LSC2 and LSC4



TYPE LSV2 and LSV4



TYPE LSV1 and LSV3

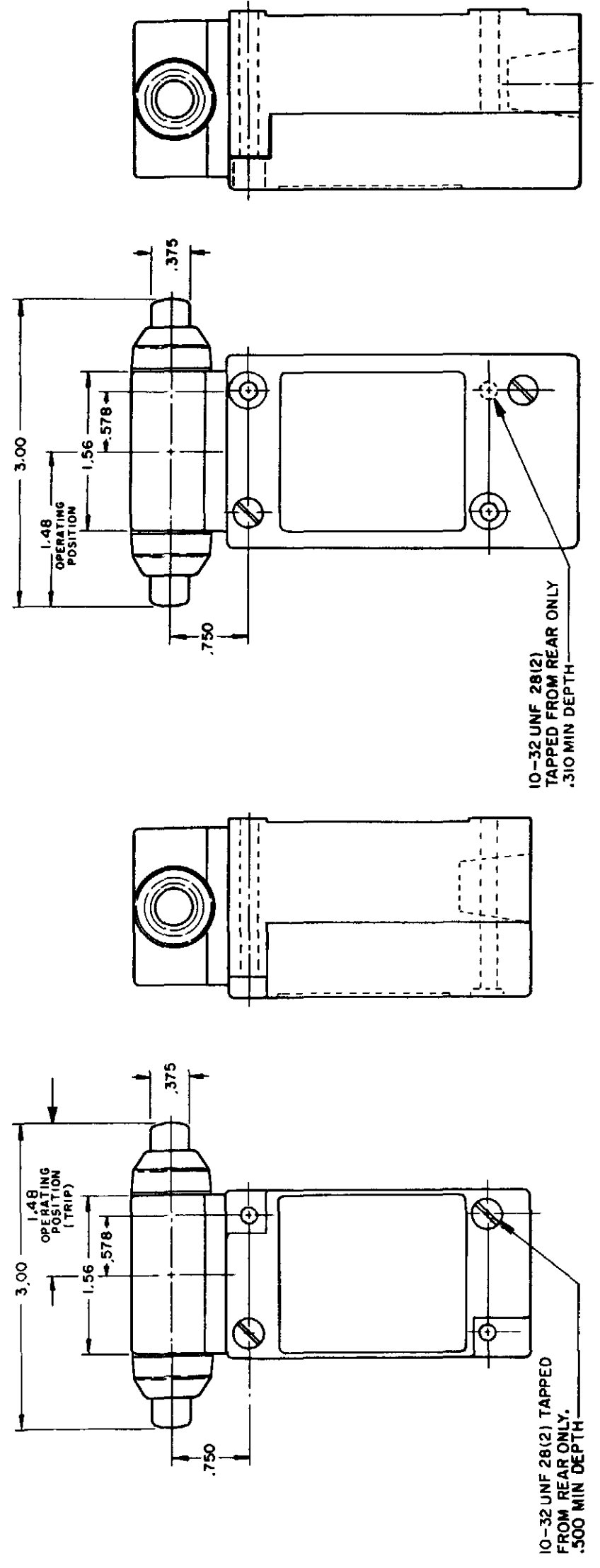


TYPE LSV1 and LSV3

ISSUE 12 PSR 10JUL07 RELEASE NO CO-78498 REPLACES LSA-LSW SERIES

REVISIONS
L 0031956
M 10JUL07
B 201004
C 201748
D 202198
E 204871
F 206581
G 206763
H 207179
J 207474
K 0006871

CATALOG LISTING
M LSA-LSW SERIES CHART 1
PAGE 6 OF 10
11AUG04
11JUL94
15JUN94



TYPE LSG1 and LSG2 TYPE LSG2 and LSG4

INITIAL POSITION (FREE POSITION) } PRETRAVEL
OPERATING POINT } DIFFERENTIAL TRAVEL
FULL TRAVEL } OVERTRAVEL

TOP PLUNGER TYPES

CHARACTERISTICS	LSC PLUNGER		LSD ROLLER PLUNGER		LSV ADJ PLUNGER		SEQUENCE BASIC	
	PRETRAVEL (MAX)	DIFFERENTIAL TRAVEL (MAX)	SINGLE POLE	DOUBLE POLE	SINGLE POLE	DOUBLE POLE	1ST STEP	2ND STEP
PRETRAVEL (MAX)	.070	.070	.070	.070	.070	.070	.070	.070
DIFFERENTIAL TRAVEL (MAX)	.015	.020	.015	.020	.015	.020	.015	.015
OVERTRAVEL (MIN)	.190	.190	.190	.190	.190	.190	.170	.170
OPERATING FORCE (MAX)	4 LBS	4 LBS	4 LBS	4 LBS	4 LBS	4 LBS	4 LBS	4 LBS
OPERATING POINT	1.805 ± .030	2.200 ± .040	2.085 MIN	2.335 MAX	2.085 MIN	2.335 MAX	1.815 ± .030	2.210 ± .040
FULL OVERTRAVEL FORCE (MAX)	7 LBS	7 LBS	7 LBS	7 LBS	7 LBS	7 LBS	7 LBS	7 LBS

SIDE PLUNGER TYPES

CHARACTERISTICS	LSE PLUNGER		LSF ROLLER PLUNGER		LSW ADJ PLUNGER		SEQUENCE BASIC	
	PRETRAVEL (MAX)	DIFFERENTIAL TRAVEL (MAX)	SINGLE POLE	DOUBLE POLE	SINGLE POLE	DOUBLE POLE	1ST STEP	2ND STEP
PRETRAVEL (MAX)	.100	.100	.100	.100	.170	.170	.100	.100
DIFFERENTIAL TRAVEL (MAX)	.045	.045	.045	.045	.090	.090	.020	.020
OVERTRAVEL (MIN)	.190	.190	.190	.190	.080	.080	.170	.170
OPERATING FORCE (MAX)	6 LBS	6 LBS	6 LBS	6 LBS	10 LBS	10 LBS	6 LBS	6 LBS
OPERATING POINT	1.300 ± .030	1.735 ± .040	ADJUSTABLE FROM	ADJUSTABLE FROM	1.480 ± .030	1.480 ± .030	1.310 ± .030	1.745 ± .040
FULL OVERTRAVEL FORCE (MAX)	6 LBS	6 LBS	6 LBS	6 LBS	10 LBS	10 LBS	6 LBS	6 LBS

THIS DRAWING COVERS A PROPRIETARY ITEM AND IS THE PROPERTY OF MICRO SWITCH A DIVISION OF HONEYWELL THIS DRAWING IS NOT TO BE COPIED OR USED WITHOUT THE APPROVAL OF MICRO SWITCH

MICRO SWITCH a Honeywell Division
FED MFG CODE 91929

SWITCH - ENCLOSED

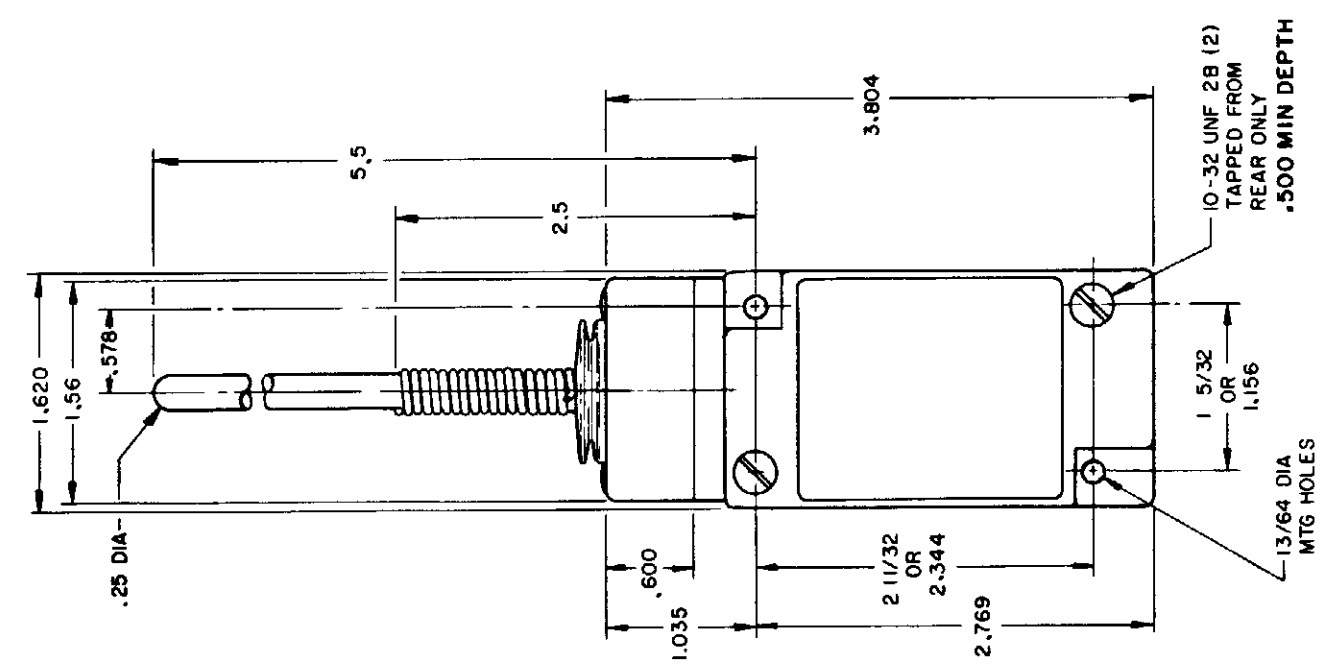
CATALOG LISTING
LSA-LSW SERIES CHART 1

SCALE NONE
DO NOT SCALE PRINT
DIMENSIONS ARE IN INCHES
TOLERANCES:
ONE PLACE (.0)
TWO PLACE (.00)
THREE PLACE (.000)
ANGLES
WEIGHT

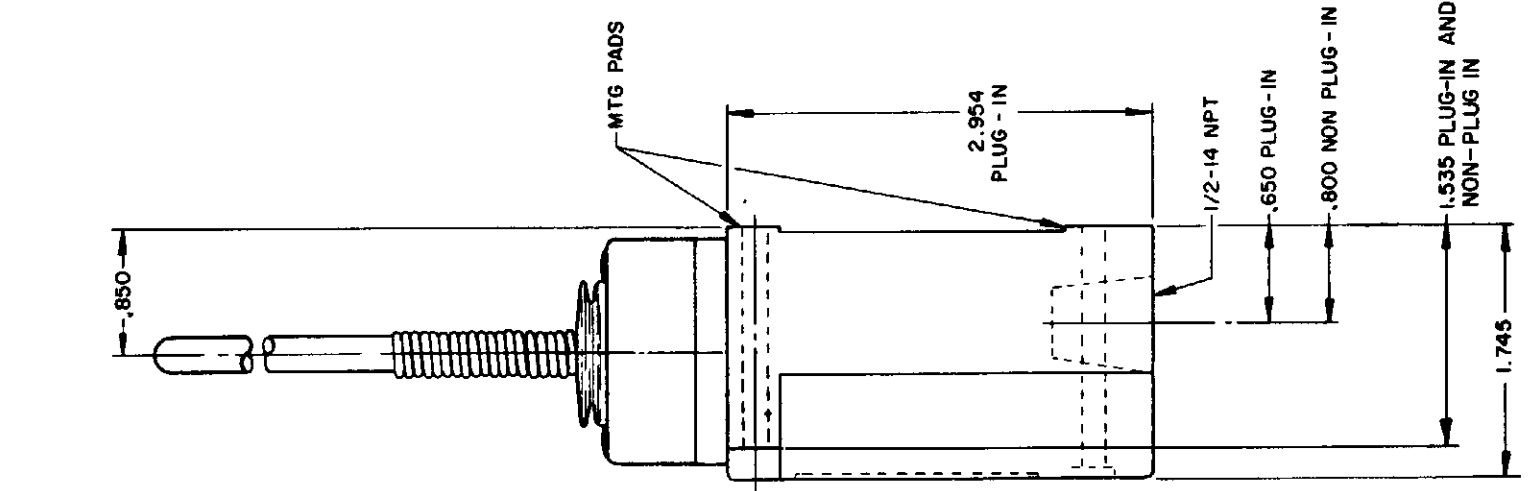
WOBBLE STICK

SINGLE POLE

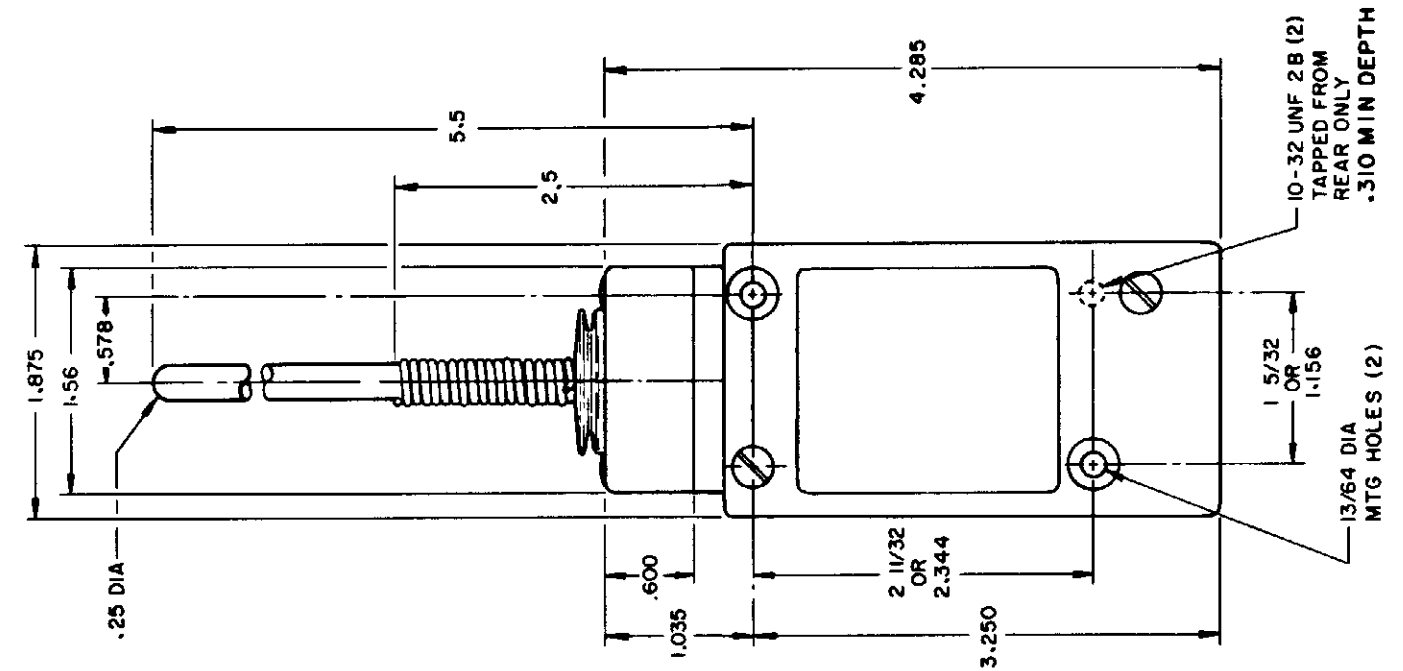
DOUBLE POLE



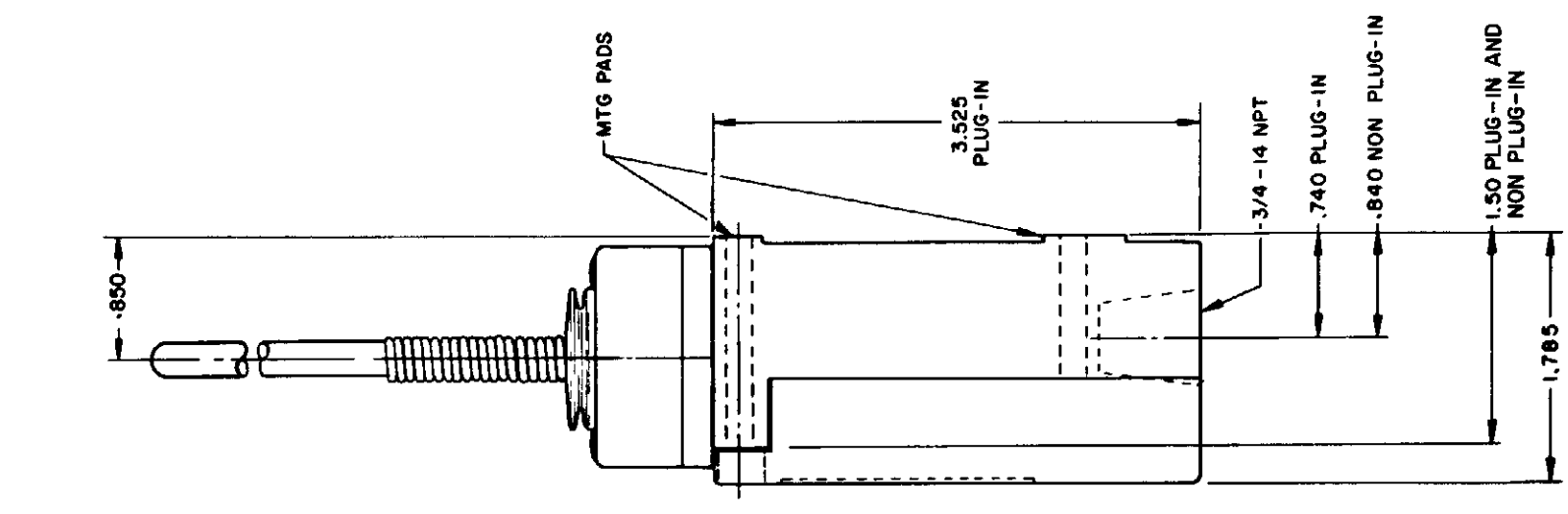
**PLASTIC EXTENSION
TYPE 7A ACTUATOR**
TYPE LSJ1 AND LSJ3



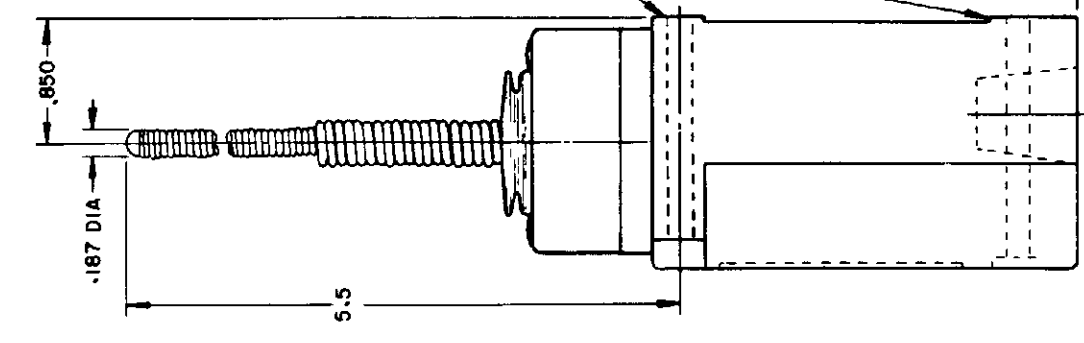
**REPLACEMENT ACTUATOR
LSZ-4009**



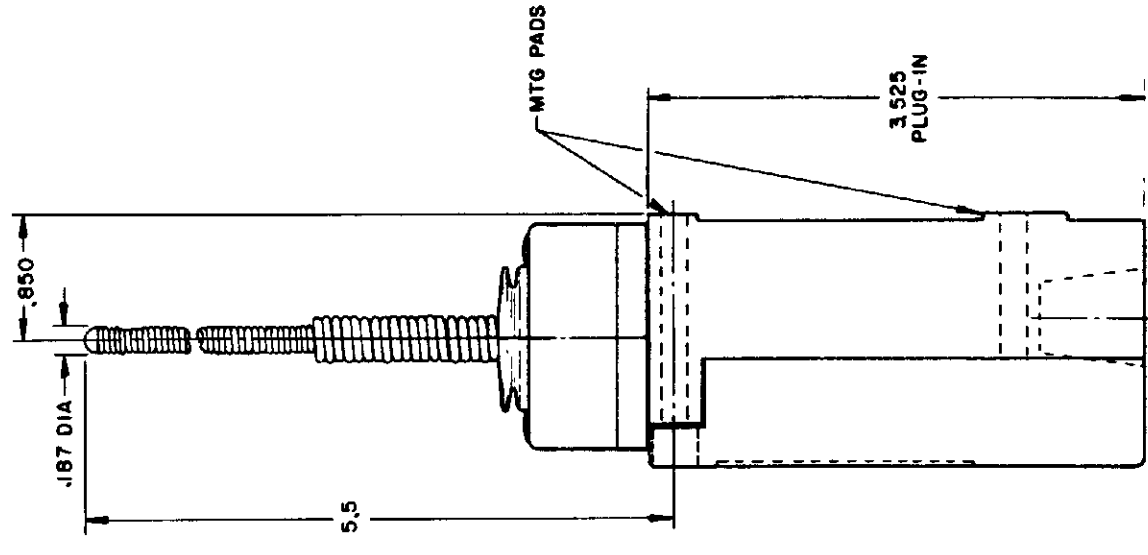
**PLASTIC EXTENSION
TYPE 7A ACTUATOR**
TYPE LSJ2 AND LSJ4
LSJ6 AND LSJ7 HAVE
1/2 - 14 NPT CONDUIT HOLE



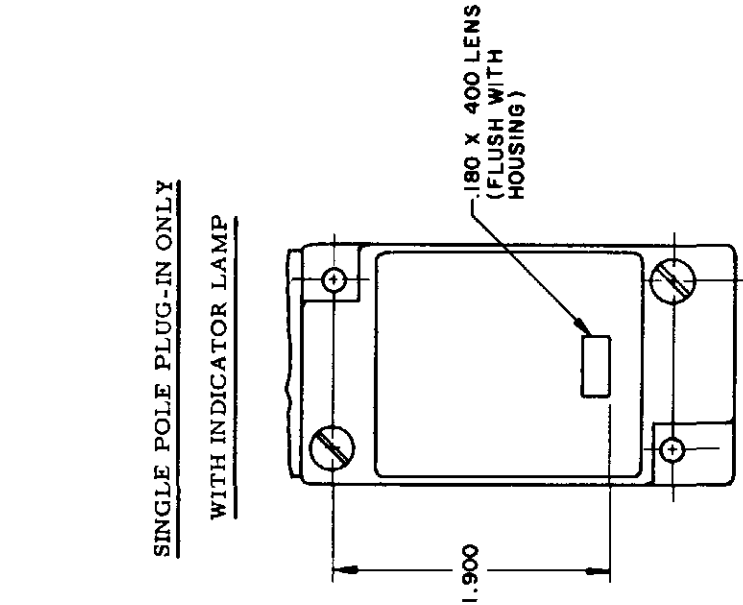
**REPLACEMENT ACTUATOR
LSZ-4011**



**CABLE EXTENSION
TYPE 7N ACTUATOR**



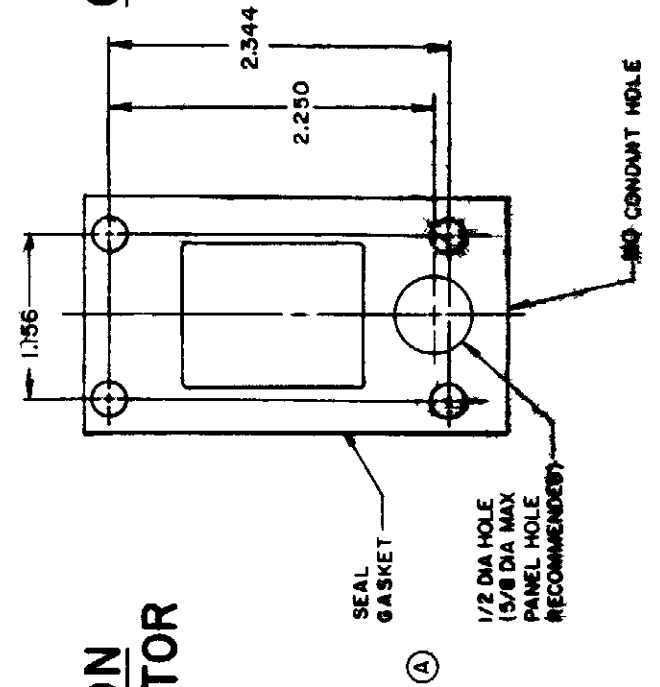
**CABLE EXTENSION
TYPE 7N ACTUATOR**



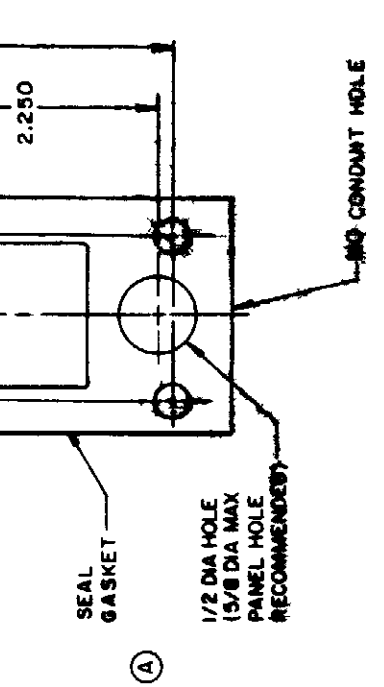
**REPLACEMENT ACTUATOR
LSZ-4009**
WITH INDICATOR LAMP
120 LAMP VOLTAGE TYPE LSJ5
240 LAMP VOLTAGE TYPE LSJ8
24 LED VOLTAGE TYPE LSJ9



**MANIFOLD MOUNT (PLUG-IN ONLY)
SINGLE POLE AND DOUBLE POLE
TYPE LSA THROUGH LSW SERIES**

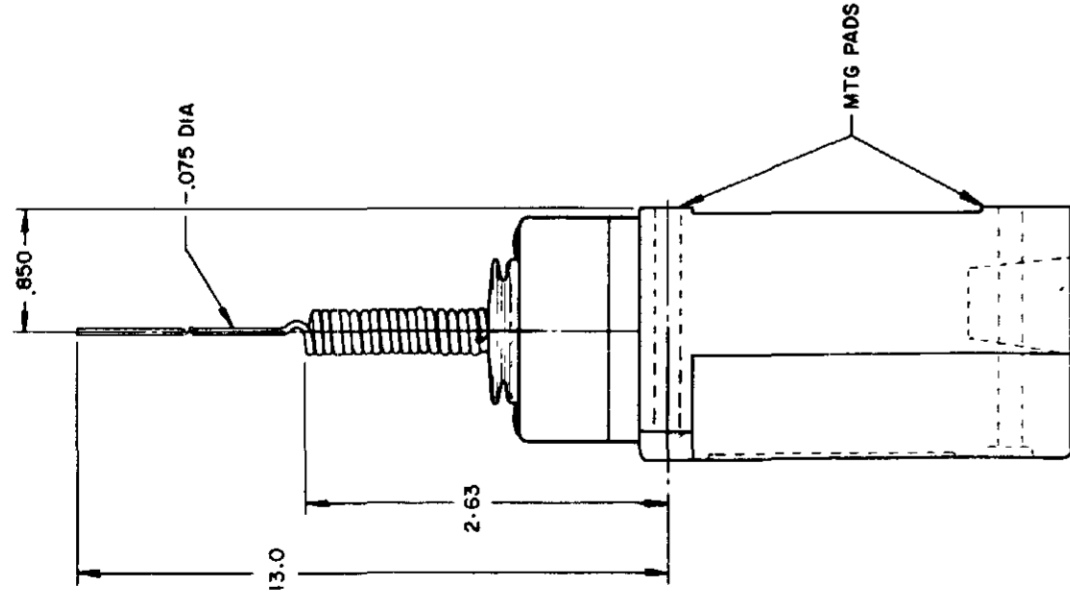


**CABLE EXTENSION
TYPE 7N ACTUATOR**



**REPLACEMENT ACTUATOR
LSZ-4011**

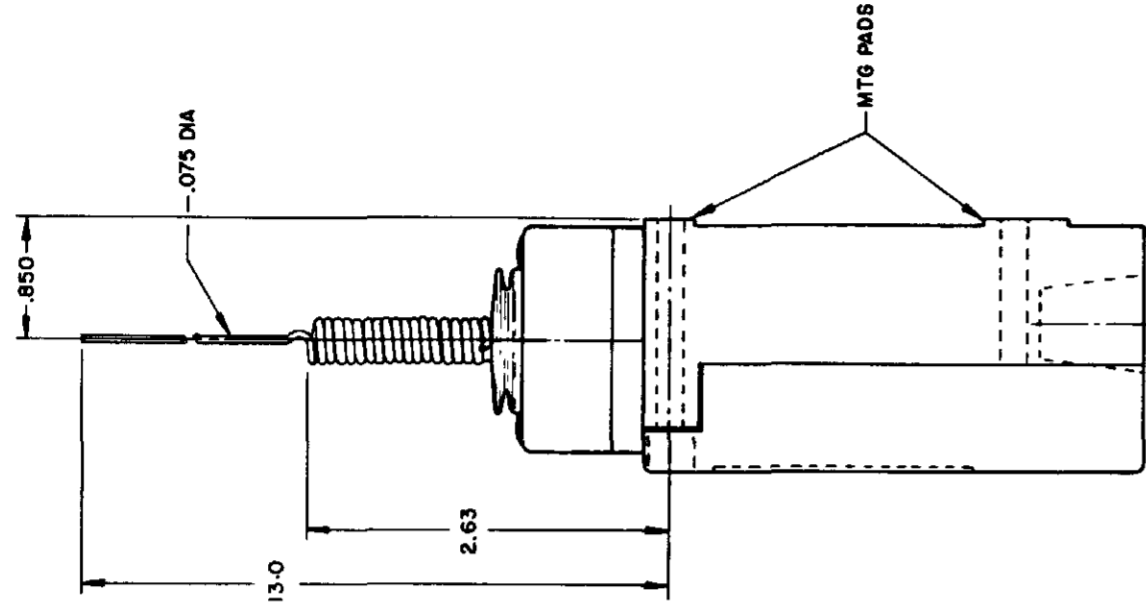
REVISIONS	
L	0031956
BS	10 JUL 07
B	201004
C	10 AUG 00
C	201748
17	10 OCT 00
D	202198
E	204871
F	206581
G	206763
H	207179
J	207474
K	0006871



WIRE EXTENSION TYPE 7M ACTUATOR

TYPE LSJ1 and LSJ3

REPLACEMENT ACTUATOR - LSZ 4010

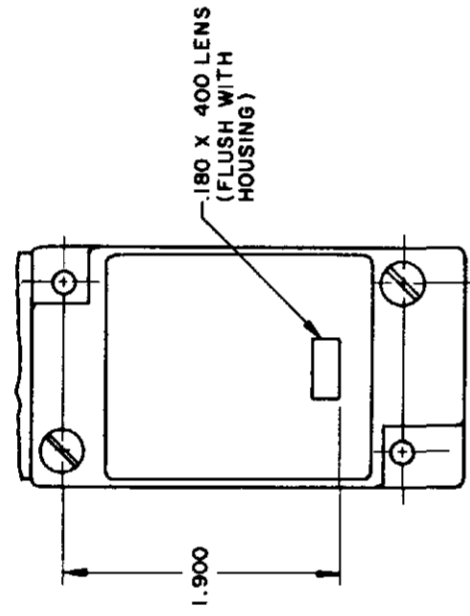


WIRE EXTENSION TYPE 7M ACTUATOR

TYPE LSJ2 and LSJ4

LSJ6 and LSJ7 have 1/2 - 14 NPT CONDUIT HOLE

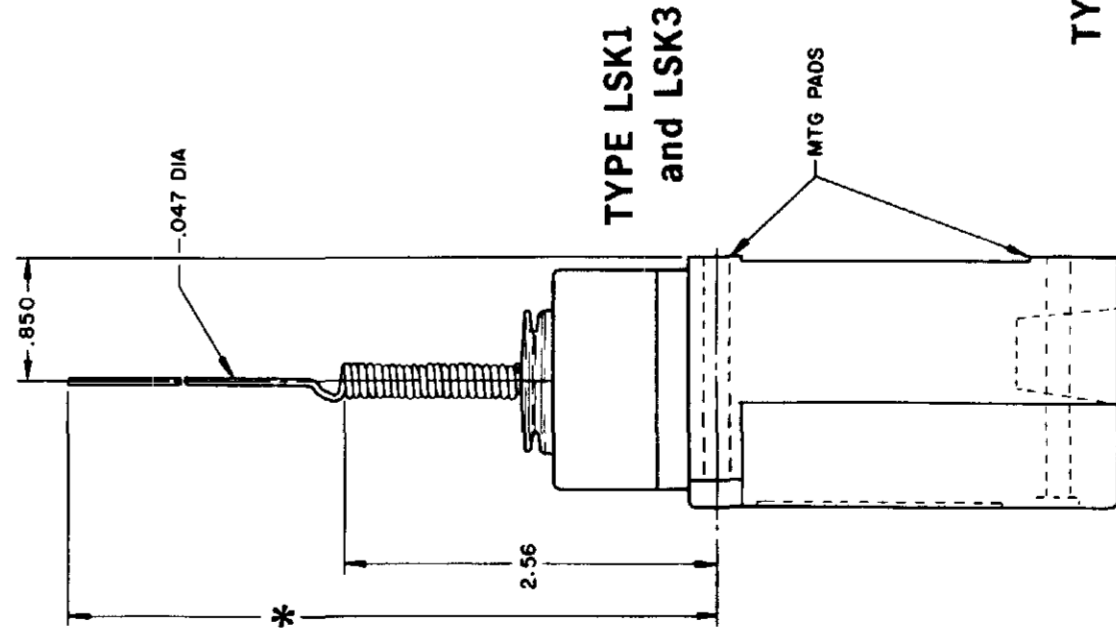
SINGLE POLE PLUG-IN ONLY
WITH INDICATOR LAMP



120 LAMP VOLTAGE TYPE LSJ5
240 LAMP VOLTAGE TYPE LSJ8

CAT WHISKER

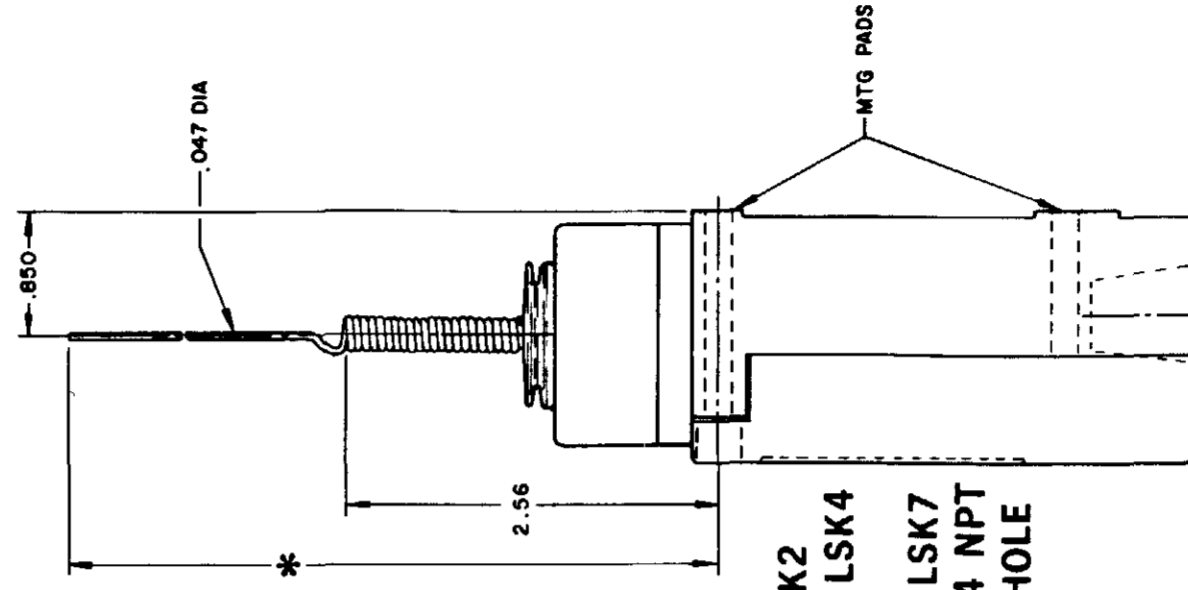
SINGLE POLE



*** WIRE EXTENSION REPLACEMENT ACTUATOR**

TYPE 8A ACTUATOR 5.5 IN.-LSZ 4012
TYPE 8B ACTUATOR 7.5 IN.-LSZ 4013
TYPE 8C COIL ACTUATOR 5.5 IN.-LSZ 4014
ACTUATOR 9.5 IN. - LSZ 4036

DOUBLE POLE



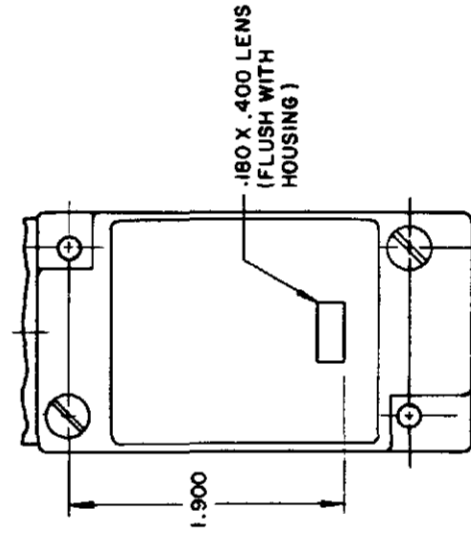
TYPE LSK2
and LSK4

LSK6 and LSK7
have 1/2 - 14 NPT
CONDUIT HOLE

WIRE EXTENSION

*TYPE 8A ACTUATOR 5.5 IN.
TYPE 8B ACTUATOR 7.5 IN.
TYPE 8C ACTUATOR 5.5 IN.
TYPE 8D ROD ACTUATOR 5.5 IN.

SINGLE POLE PLUG-IN ONLY
WITH INDICATOR LAMP



120 LAMP VOLTAGE
TYPE LSK5 - CAT WHISKER TYPE LSB5 - TOP ROTARY
240 LAMP VOLTAGE
TYPE LSK8 - CAT WHISKER TYPE LSB8 - TOP ROTARY

SCALE NONE
DO NOT SCALE PRINT

PRETRAVEL (APPROX) IN. RADIUS	CAT. WHISKER		WOBBLE STICK	
	5/16" WIRE	7/16" WIRE	ROD	CABLE
2	2	4.5	1.0	1.5
OPERATING FORCE-OZ (MAX)	7.0	5.0	3.0	10.0
			7.0	5.0

THIS DRAWING COVERS A PROPRIETARY ITEM AND IS THE PROPERTY OF MICRO SWITCH A DIVISION OF HONEYWELL THIS DRAWING IS NOT TO BE COPIED OR USED WITHOUT THE APPROVAL OF MICRO SWITCH

MICRO SWITCH
a Honeywell Division

SWITCH - ENCLOSED

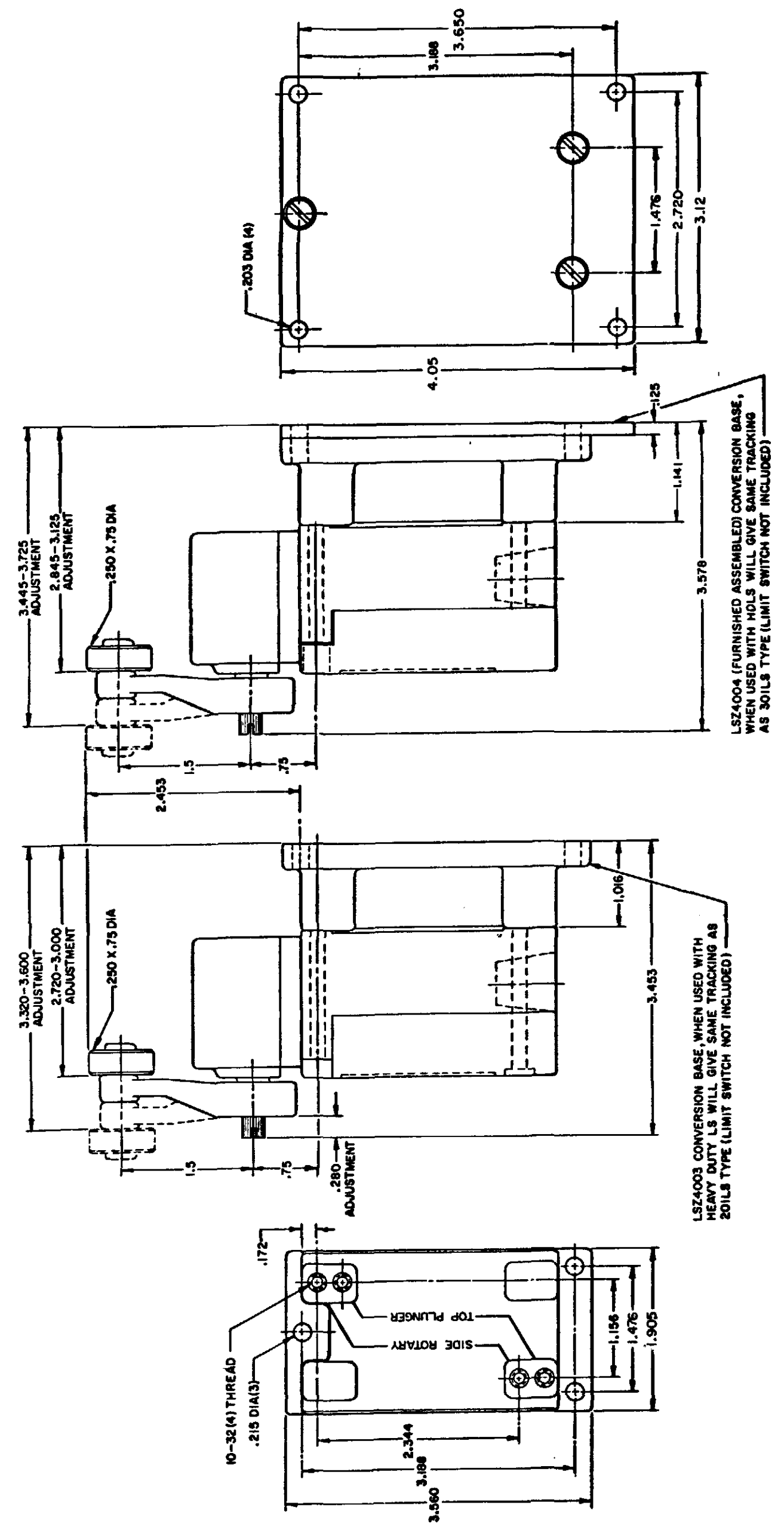
CATALOG LISTING
LSA-LSW SERIES
CHART 1

ISSUE	12	PSR	10JUL07	RELEASE NO	CO-78498	REPLACES	LSA-LSW SERIES
CATALOG LISTING	LSA-LSW SERIES CHART 1						
REVISIONS	PAGE 9 OF 10						
L	0031956	BS	10JUL07	11AUG04	AK	11AUG04	11JUN 94
B	201004	CS	10AUG00	AK	11AUG04	11JUN 94	11AUG04
C	201748	CS	23JAN01	AK	11AUG04	11JUN 94	11AUG04
D	202198	CS	23JAN01	AK	11AUG04	11JUN 94	11AUG04
E	204871	CS	23JAN01	AK	11AUG04	11JUN 94	11AUG04
F	206581	CS	23JAN01	AK	11AUG04	11JUN 94	11AUG04
G	206763	CS	23JAN01	AK	11AUG04	11JUN 94	11AUG04
H	207179	CS	23JAN01	AK	11AUG04	11JUN 94	11AUG04
J	207474	CS	23JAN01	AK	11AUG04	11JUN 94	11AUG04
K	0006871	CS	23JAN01	AK	11AUG04	11JUN 94	11AUG04

CONVERSION BASES

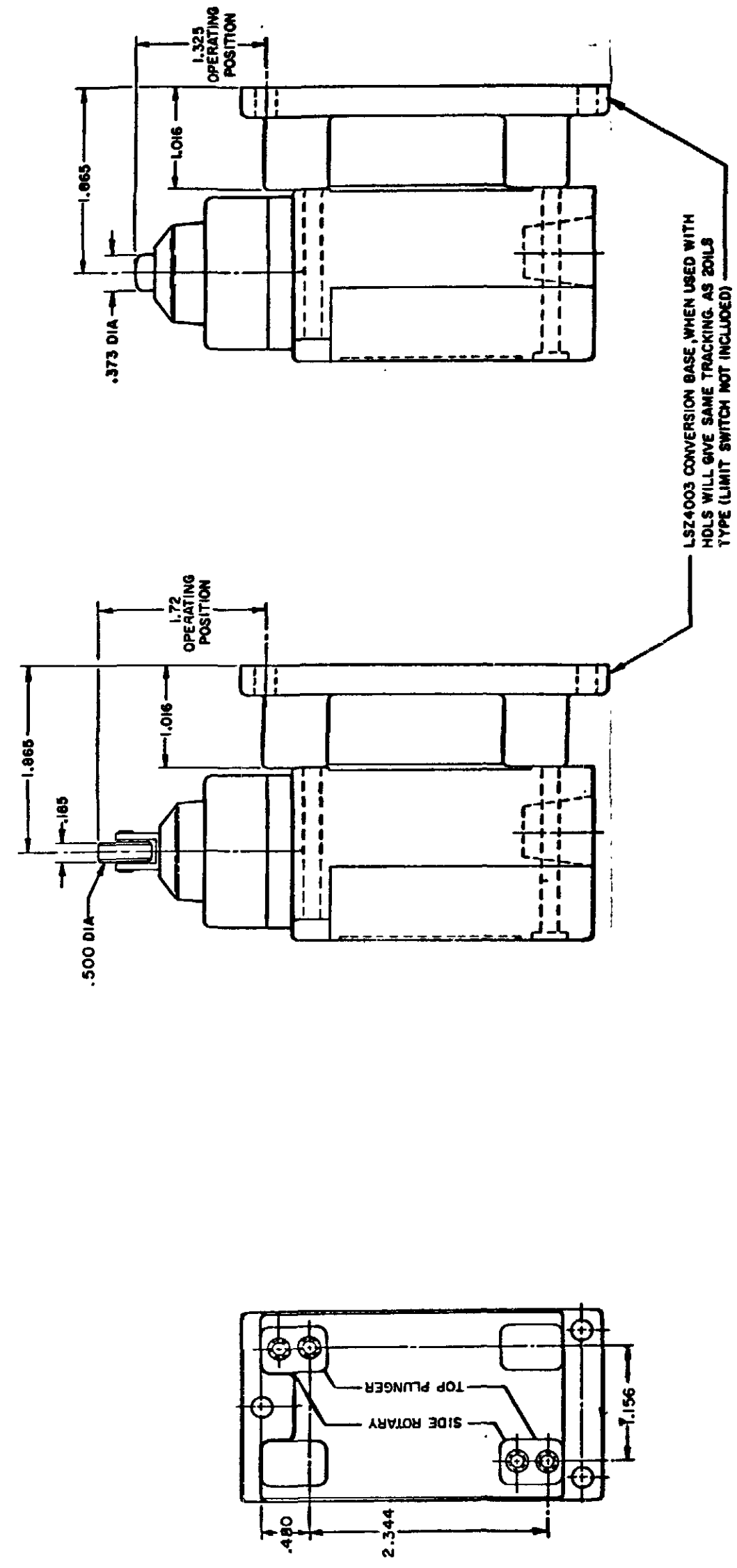
SINGLE POLE (SIDE ROTARY) LSZ 4003

DOUBLE POLE (SIDE ROTARY) LSZ 4004



NOTE
SEE OTHER PAGES OF LSA-LSW
(M) DRAWING FOR DIMENSION OF LIMITS

SINGLE POLE TOP PLUNGER LSZ 4003



NOTE
SEE OTHER PAGES OF LSA-LSW
(M) DRAWING FOR DIMENSION OF LIMIT SWITCH

THIS DRAWING COVERS A PROPRIETARY ITEM AND IS THE PROPERTY OF MICRO SWITCH, A DIVISION OF HONEYWELL. THIS DRAWING IS NOT TO BE COPIED OR USED WITHOUT THE APPROVAL OF MICRO SWITCH.

MICRO SWITCH
a Honeywell Division

SWITCH - ENCLOSED

CATALOG LISTING
LSA-LSW SERIES
CHART 1

SCALE FULL
DO NOT SCALE PRINT

PAGE 9 OF 10

HEAD TYPE	CELLULOSE	DETERGENT	5 STAR	ASTM #1	ASTM #2	ASTM #3	ASTM #4	HOUGHTON SAFE 271	HOUGHTON SAFE 820	HOUGHTON SAFE 1010, 1055	MINERAL OIL	PETR. OIL CRUDE	SILICON GR & OIL	SUNSAFE	BEER	STODDARD SOLV.	CHLORINATED SOLVENTS	CITRIC ACID	D-ESTER SYN. LUBRICANTS	OZONE	HYDRAUL	PROGUARD	PETRO. BASE HYDRAULIC OIL	LARD OIL	SILICATE ESTERS
LSA	4	1	1	1	1	2	1	4	1	1	1	1	1	1	4	1	2	4	4	4	4	1	1	2	
LSB	4	1	1	1	1	2	1	4	1	1	1	1	1	1	4	1	2	4	4	4	4	1	1	2	
LSC	4	2	2	1	2	4	4	2	4	2	2	1	2	1	2	4	1	4	3	4	4	2	2	2	
LSD	4	2	2	1	2	4	4	2	4	2	2	1	2	1	2	4	1	4	3	4	4	2	2	2	
LSE	4	2	2	1	2	4	4	2	4	2	2	1	2	1	2	4	1	4	3	4	4	2	2	2	
LSF	4	2	2	1	2	4	4	2	4	2	2	1	2	1	2	4	1	4	2	4	4	2	2	2	
LSG	4	2	2	1	2	4	4	2	4	2	2	1	2	1	2	4	1	4	3	4	4	2	2	2	
LSH	4	1	1	1	1	2	1	4	1	1	1	1	1	1	4	1	2	4	4	4	4	1	1	2	
LSJ	4	2	2	1	2	4	4	2	4	2	2	1	2	1	2	4	1	4	3	4	4	2	2	2	
LSK	4	2	2	1	2	4	4	2	4	2	2	1	2	1	2	4	1	4	3	4	4	2	2	2	
LSL	4	1	1	1	1	2	1	4	1	1	1	1	1	1	4	1	2	4	4	4	4	1	1	2	
LSM	4	1	1	1	1	2	1	4	1	1	1	1	1	1	4	1	2	4	4	4	4	1	1	2	
LSN	4	1	1	1	1	2	1	4	1	1	1	1	1	1	4	1	2	4	4	4	4	1	1	2	
LSP	4	1	1	1	1	2	1	4	1	1	1	1	1	1	4	1	2	4	4	4	4	1	1	2	
LSR	4	1	1	1	1	2	1	4	1	1	1	1	1	1	4	1	2	4	4	4	4	1	1	2	
LSV	4	2	2	1	2	4	4	2	4	2	2	1	2	1	2	4	1	4	3	4	4	2	2	2	
LSW	4	2	2	1	2	4	4	2	4	2	2	1	2	1	2	4	1	4	2	4	4	2	2	2	
LST	UNSEALED DEVICE, INTENDED TO MEET NEMA 1 ONLY																								
LSS	UNSEALED DEVICE, INTENDED TO MEET NEMA 1 ONLY																								

CODE: 1 SATISFACTORY 2 FAIR 3 DOUBTFUL 4 UNSATISFACTORY

TYPES	LOW LIMIT	HIGH LIMIT
LSA	+10°F	+250°F
LSB	+30°F	+250°F
LSC	+10°F	+200°F
LSD	+10°F	+200°F
LSE	+10°F	+200°F
LSF	+10°F	+200°F
LSG	+30°F	+200°F
LSH	+30°F	+250°F
LSJ	+10°F	+200°F
LSK	+10°F	+200°F
LSL	+10°F	+250°F
LSM	+30°F	+250°F
LSN	+30°F	+250°F
LSP	+10°F	+250°F
LSR	+30°F	+250°F
LSV	+10°F	+200°F
LSW	+10°F	+200°F
LST	+30 F	+170°F
LSS	+30°F	+170°F

CATALOG LISTING
M LSA-LSW SERIES CHART 1
 PAGE 10 OF 10
 ISSUE 12
 PSR 10JUL07
 CHECK 11AUG04
 REVISIONS:
 L 0031956 BS 10JUL07
 B 201004 CS 10 AUG 00
 C 201748 CS 17 NOV 00
 D 202198 CS 23 JAN 01
 E 204871 G J W FEB 02
 F 206581 GLH 14 OCT 02
 G 206783 CS 31 OCT 02
 H 207179 GLH 14 JAN 03
 J 207474 TSM 18 FEB 03
 K 0006871 KR 11AUG04
 DRAWN MAM 15 JUN 94
 CHECK JAF 11 JUL 94
 RASTER

THIS DRAWING COVERS A PROPRIETARY ITEM AND IS THE PROPERTY OF MICRO SWITCH A DIVISION OF HONEYWELL THIS DRAWING IS NOT TO BE COPIED OR USED WITHOUT THE APPROVAL OF MICRO SWITCH

MICRO SWITCH
a Honeywell Division

SWITCH - ENCLOSED

LSA-LSW SERIES
CHART 1

FED. MFG. CODE 91929

SCALE



Компания «ЭлектроПласт» предлагает заключение долгосрочных отношений при поставках импортных электронных компонентов на взаимовыгодных условиях!

Наши преимущества:

- Оперативные поставки широкого спектра электронных компонентов отечественного и импортного производства напрямую от производителей и с крупнейших мировых складов;
- Поставка более 17-ти миллионов наименований электронных компонентов;
- Поставка сложных, дефицитных, либо снятых с производства позиций;
- Оперативные сроки поставки под заказ (от 5 рабочих дней);
- Экспресс доставка в любую точку России;
- Техническая поддержка проекта, помощь в подборе аналогов, поставка прототипов;
- Система менеджмента качества сертифицирована по Международному стандарту ISO 9001;
- Лицензия ФСБ на осуществление работ с использованием сведений, составляющих государственную тайну;
- Поставка специализированных компонентов (Xilinx, Altera, Analog Devices, Intersil, Interpoint, Microsemi, Aeroflex, Peregrine, Syfer, Eurofarad, Texas Instrument, Miteq, Cobham, E2V, MA-COM, Hittite, Mini-Circuits, General Dynamics и др.);

Помимо этого, одним из направлений компании «ЭлектроПласт» является направление «Источники питания». Мы предлагаем Вам помощь Конструкторского отдела:

- Подбор оптимального решения, техническое обоснование при выборе компонента;
- Подбор аналогов;
- Консультации по применению компонента;
- Поставка образцов и прототипов;
- Техническая поддержка проекта;
- Защита от снятия компонента с производства.



Как с нами связаться

Телефон: 8 (812) 309 58 32 (многоканальный)

Факс: 8 (812) 320-02-42

Электронная почта: org@eplast1.ru

Адрес: 198099, г. Санкт-Петербург, ул. Калинина, дом 2, корпус 4, литера А.