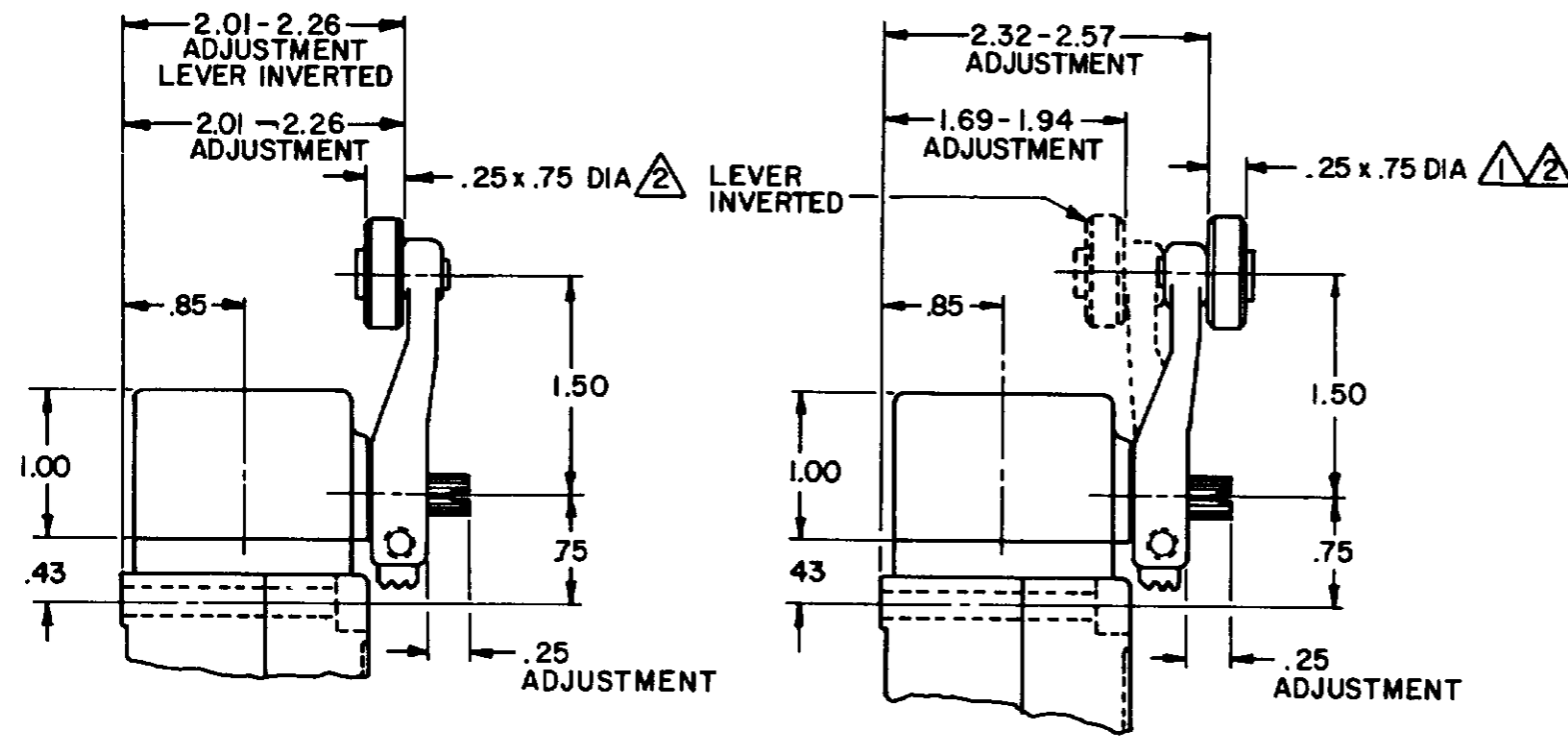
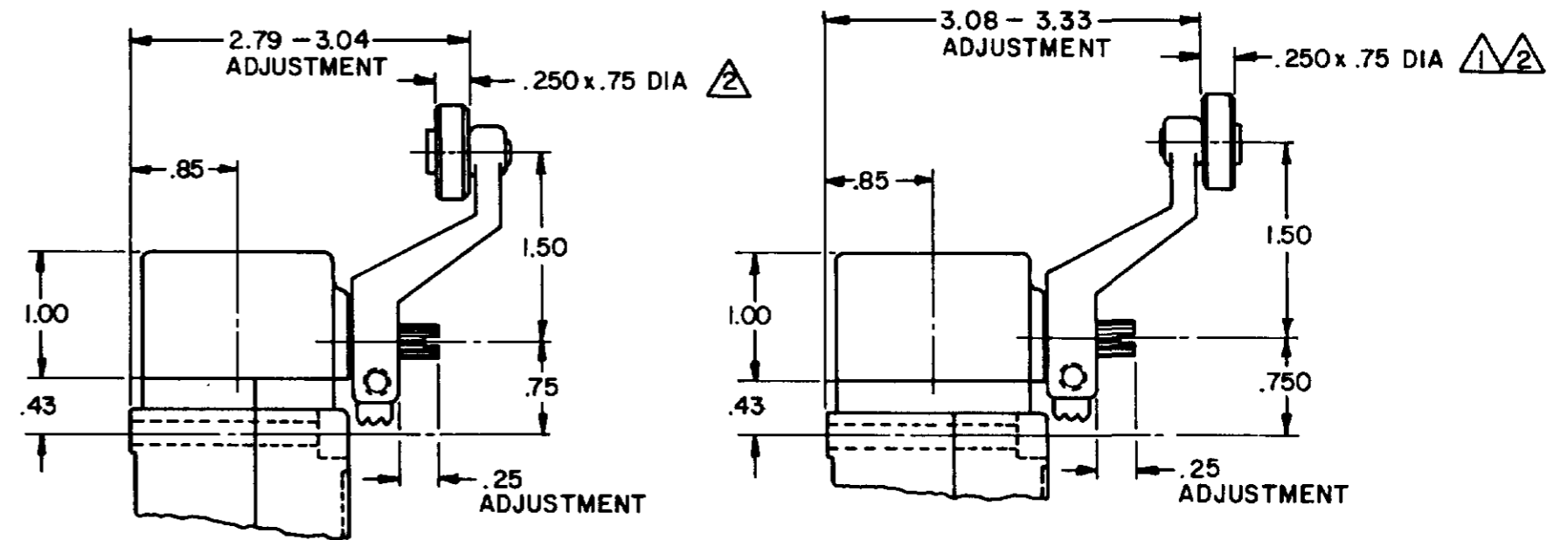




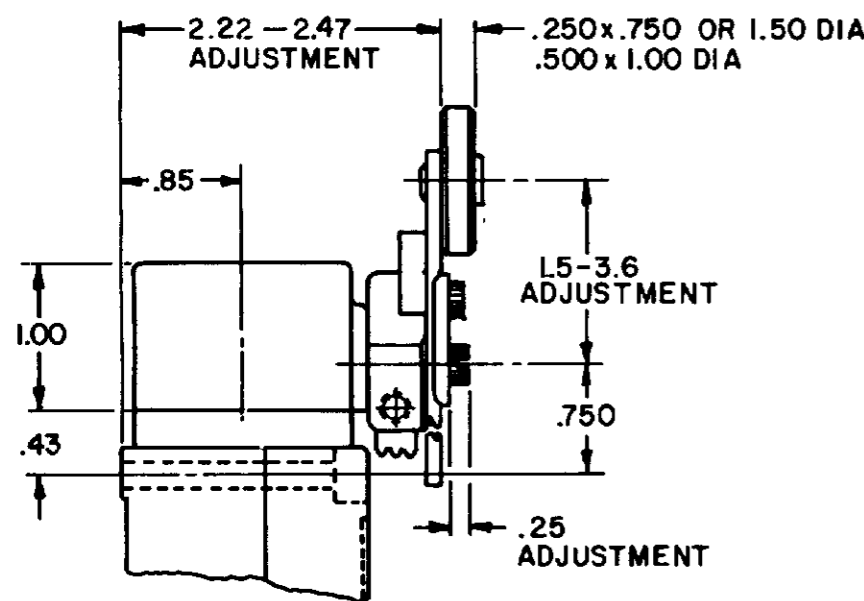
SIDE ROTARY CAM TRACKING



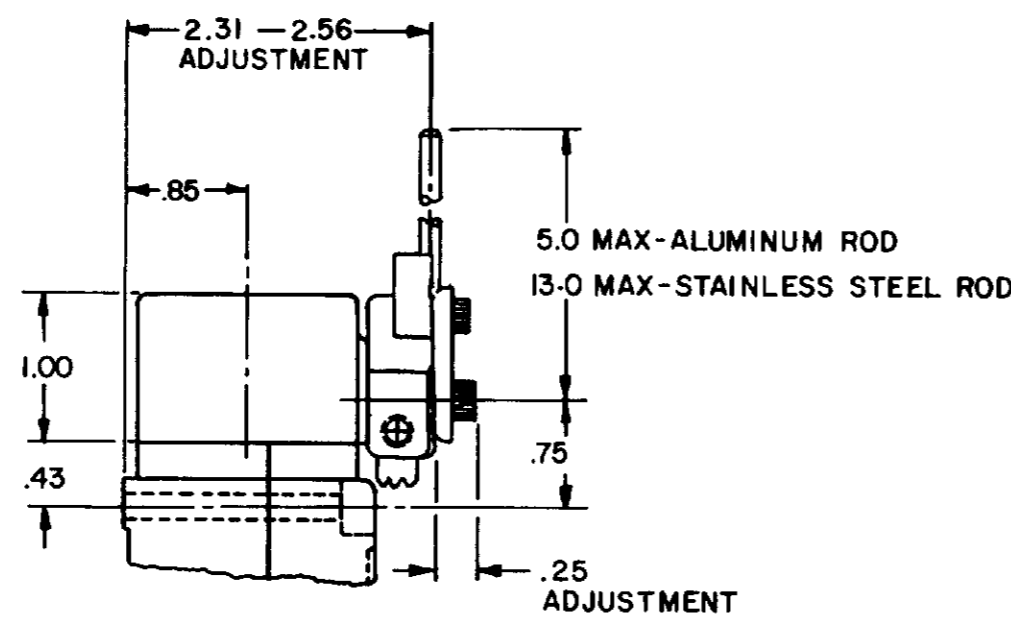
LSZ51 TYPE LEVERS



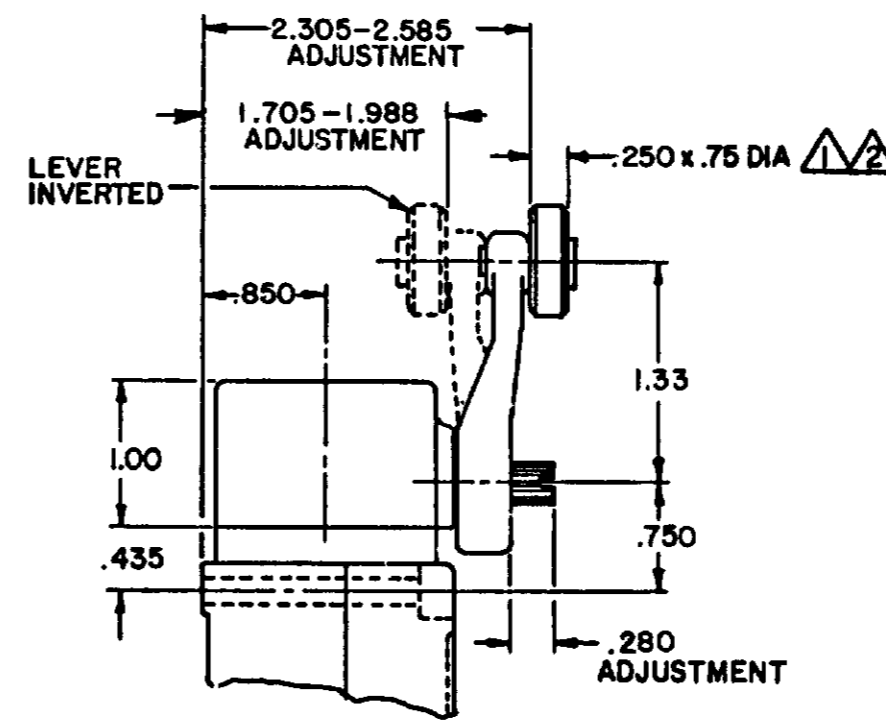
LSZ55 TYPE LEVERS



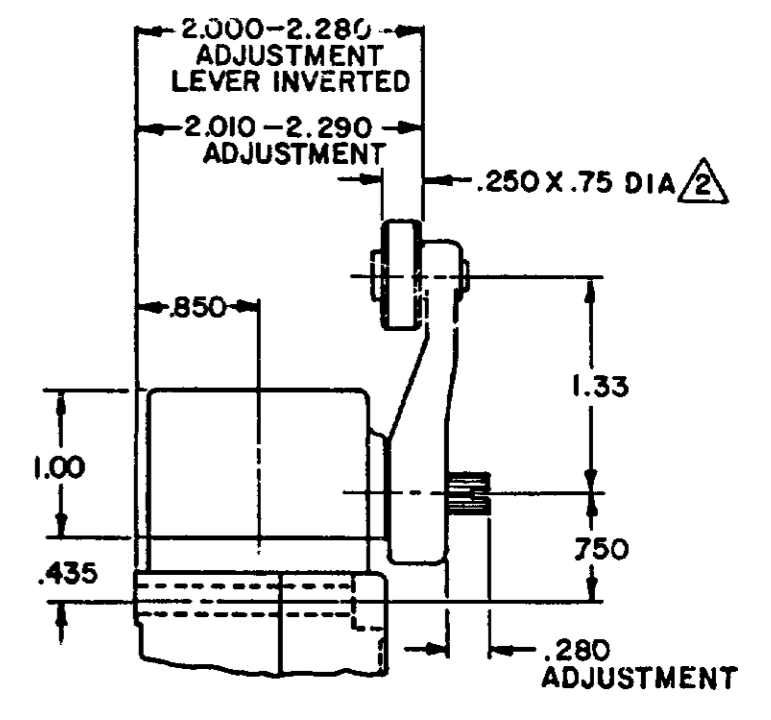
LSZ52 TYPE LEVER



LSZ54 TYPE LEVER



OPEN MOUNTED ROLLER



CLOSED MOUNTED ROLLER

LSZ59 TYPE LEVERS

NOTES

- ① ALSO AVAILABLE IN Ø.250 X 1.500 NYLON, BUT LEVER CANNOT BE INVERTED
- ② FOR ADDITIONAL ROLLER WIDTHS AND/OR DIAMETERS REFER TO "M" DRAWING
- 3 - FOR ADDITIONAL TYPES OF ROLLERS AND LEVERS REFER TO LSZ CHART 1 "M" DRAWING

CATALOG LISTING LSA-LSW SERIES CHART 1  
 ISSUE 12  
 PSR 10JUL07 RELEASE NO. CO-78498 REPLACES LSA-LSW SERIES  
 CHECK 11AUG04  
 REVISIONS  
 L 0031956  
 BS 10JUL07  
 B 201004  
 C SL 10AUG00  
 C 201748  
 C SL 17NOV00  
 D 202198  
 C SL 23JAN01  
 E 204871  
 C SL FEB 02  
 F 206581  
 GLH 14OCT02  
 G 206763  
 C SL 31OCT02  
 H 207179  
 GLH 14JAN03  
 J 207474  
 SLH 18FEB03  
 K 0006871  
 RR 11AUG04  
 DRAWN MAM 15 JUN 94  
 CHECK JAF 11 JUL 94

PAGE 2 OF 10

THIS DRAWING COVERS A PROPRIETARY ITEM AND IS THE PROPERTY OF MICRO SWITCH, A DIVISION OF HONEYWELL. THIS DRAWING IS NOT TO BE COPIED OR USED WITHOUT THE APPROVAL OF MICRO SWITCH.

**MICRO SWITCH**  
a Honeywell Division

SWITCH - ENCLOSED

CATALOG LISTING  
**LSA-LSW SERIES**  
CHART 1

THIRD ANGLE PROJECTION	
SCALE NONE	
DO NOT SCALE PRINT	
UNLESS OTHERWISE SPECIFIED TOLERANCES ARE	
ONE PLACE ( )	±.030
TWO PLACES ( .00 )	±.015
THREE PLACES ( .000 )	±.005
ANGLES	±
WEIGHT	

ISSUE 12 PSR 10JUL07 RELEASE NO CO-78498 REPLACES LSA-LSW SERIES

CATALOG LISTING  
**M** LSA-LSW SERIES CHART 1  
PAGE 3 OF 10

REV. SIONS  
L 0031958  
M 1 JUL 07  
B 201004  
C 201748  
D 202198  
E 204871  
F 206581  
G 206763  
H 207179  
J 207474  
K 0006871

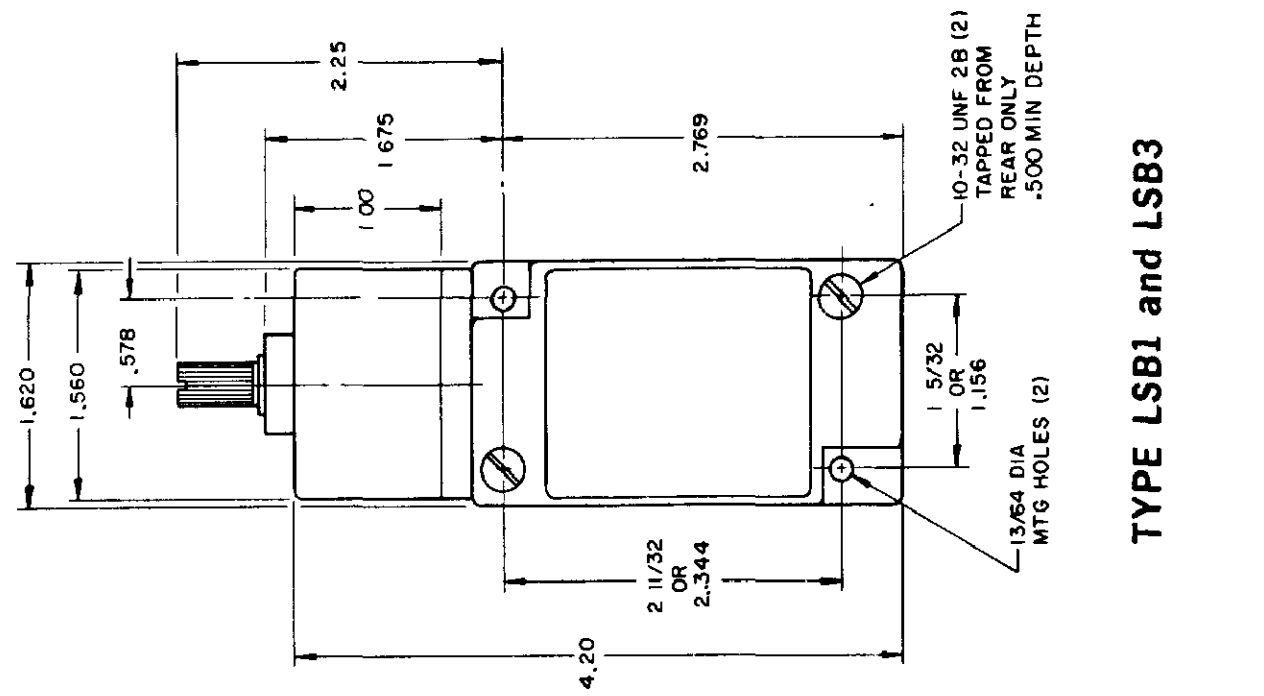
CHECK 11AUG04  
CHECK 1 JUL 94  
CHECK JAF

MAM 15 JUN 94

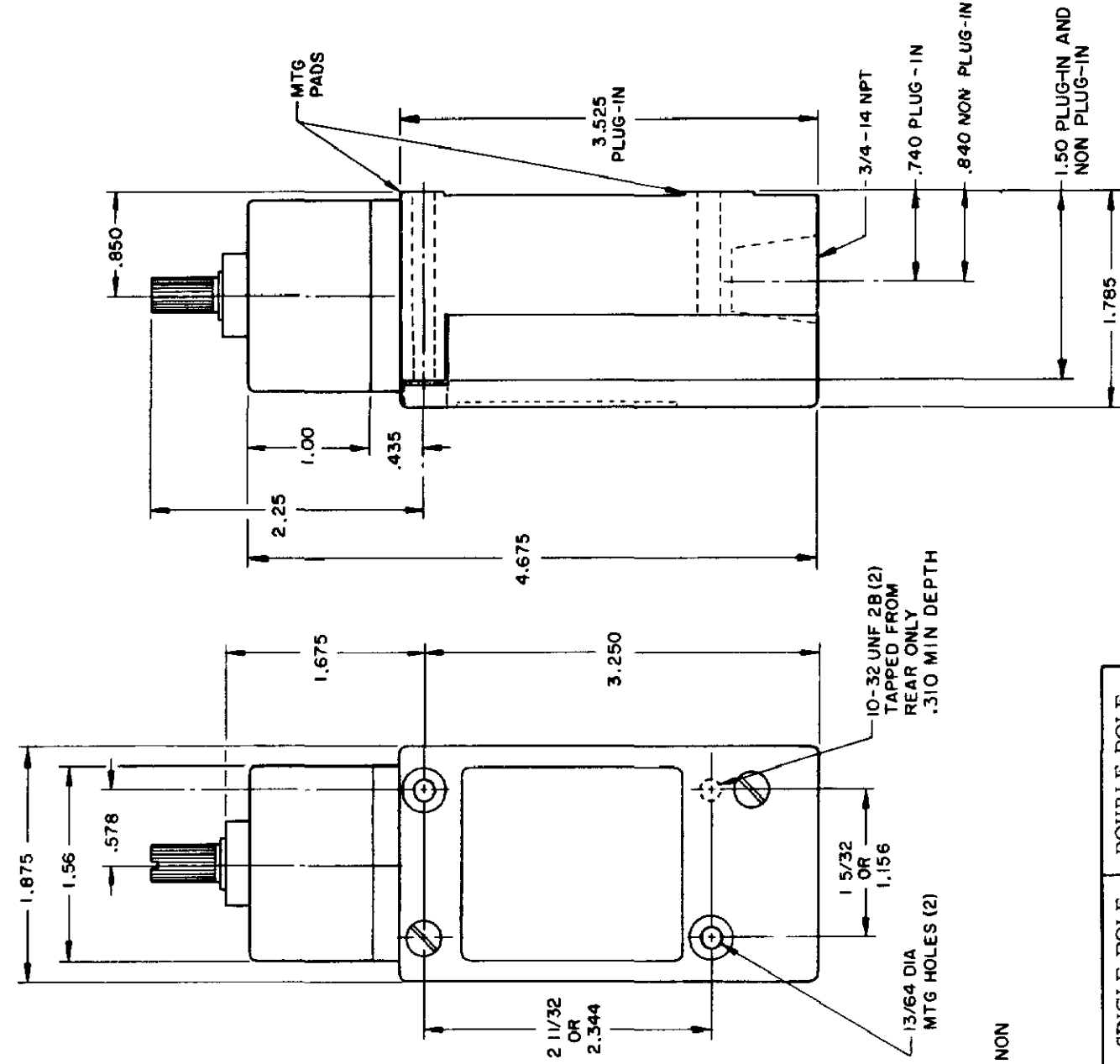
**TOP ROTARY**

**SINGLE POLE**

**DOUBLE POLE**



**TYPE LSB1 and LSB3**



**TYPE LSB2 and LSB4**  
LSB6 and LSB7 have 1/2 - 14 NPT CONDUIT HOLE

	SINGLE POLE	DOUBLE POLE
PRETRAVEL MAX	25°	25°
OVERTRAVEL MIN	110°	110°
DIFFERENTIAL TRAVEL MAX	10°	12°
OPERATING TORQUE MAX	2 5 IN. LBS	2 5 IN. LBS
TOTAL TRAVEL (REF)	135°	135°

**ELECTRICAL RATINGS**

A.C. VOLTAGE	AMPS AT 35 POWER FACTOR			
	SINGLF POLE		DOUBLE POLE	
	MAKE	BREAK	MAKE	BREAK
120	60	6	30	3
240	30	3	15	1.5
480	15	1.5	7.5	7.5
600	12	1.2	6	6

D.C. VOLTAGE	MAKE & BREAK	
	INDUCTIVE	RESISTIVE
120	0.25	0.80
240	0.15	0.40

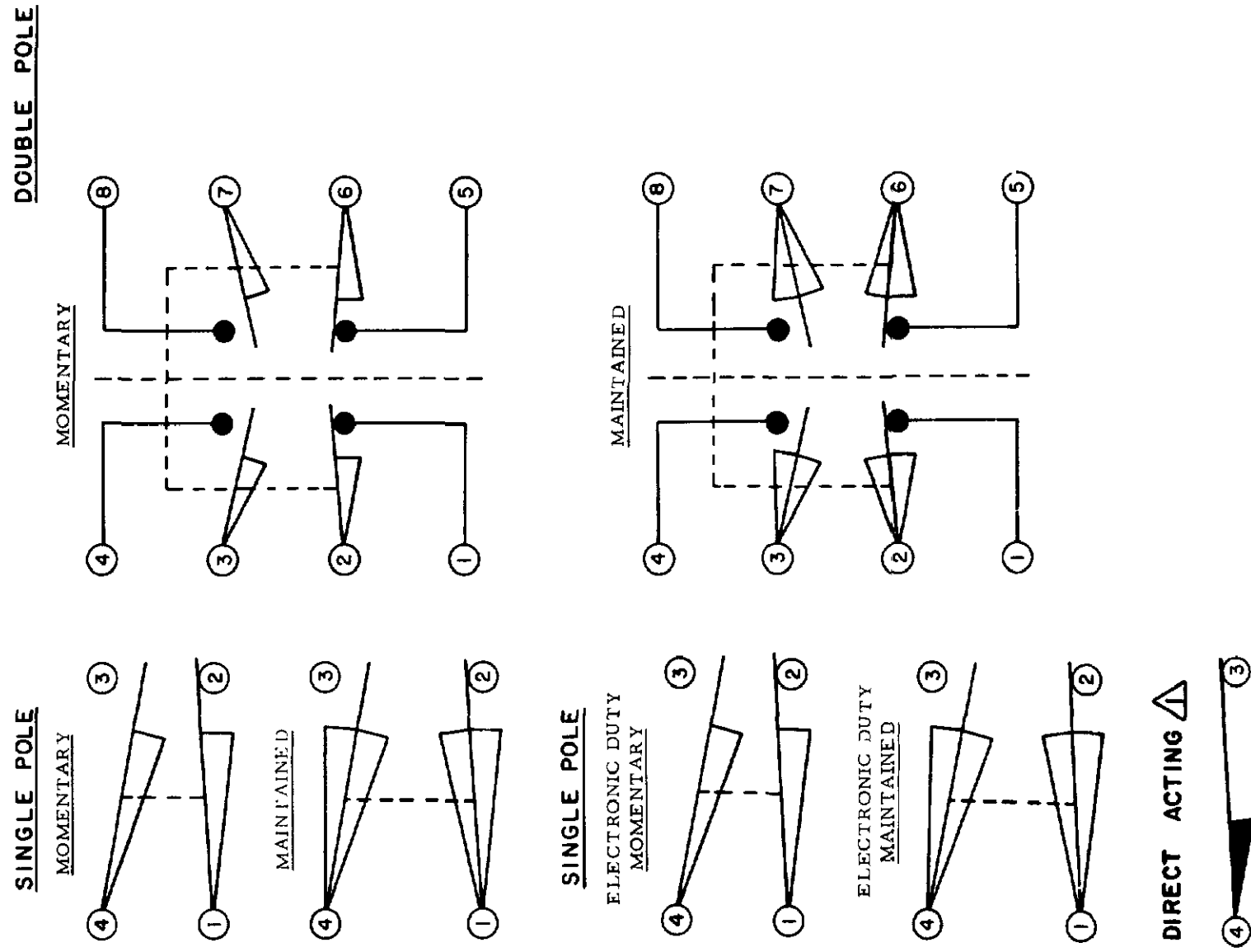
ELECTRONIC DUTY BASIC SWITCH  
10 AMP CONT.

VOLTAGE	MAKE AND BREAK AMPS
5 AC OR DC MIN	01 AMP MIN
600 AC	720 VA
240 DC	30 WATT

DIRECT ACTING (ALSO RATED AT A.C. 10 AMP CONT.)

D.C. VOLTAGE	MAKE AND BREAK AMPS	
	INDUCTIVE	RESISTIVE
30	4.2	4.2
120	1.1	1.1
240	.55	.55

**WIRING BASIC SWITCH**  
(SAME POLARITY MUST BE OBSERVED FOR EACH POLE)



NOTES  
DIFFERENTIAL TRAVEL ON ALL OPERATING CHARACTERISTICS NOT APPLICABLE





RASTER  
DRAWN

MAM 15 JUN 94

check JAF 11 JUL 94

check AK 11AUG04

check PSR 10JUL07

check CO-78498

REPLACES LSA-LSW SERIES

CATALOG LISTING

ISSUE 12

12

12

12

12

12

12

12

12

12

12

12

12

12

12

12

12

12

12

12

12

12

12

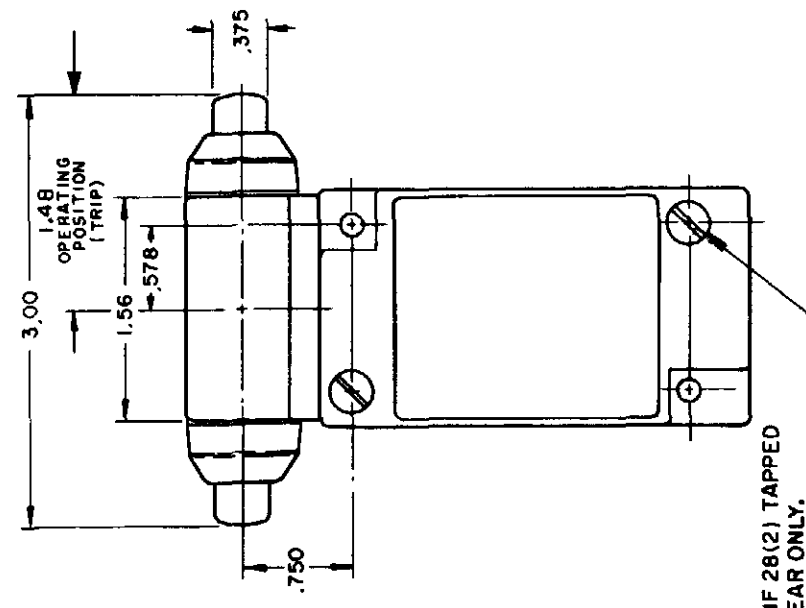
12

12

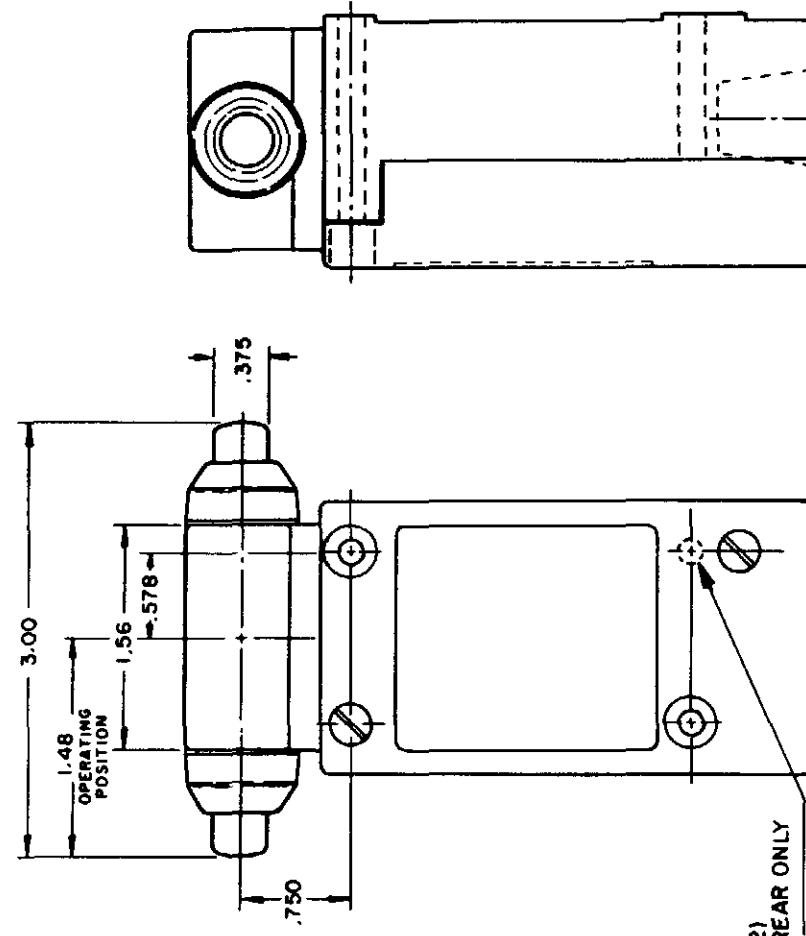
12

12

12



TYPE LSG1 and LSG3



TYPE LSG2 and LSG4

INITIAL POSITION (FREE POSITION) } PRETRAVEL  
OPERATING POINT } DIFFERENTIAL TRAVEL  
FULL TRAVEL } OVERTRAVEL

TOP PLUNGER TYPES

CHARACTERISTICS	LSC PLUNGER		LSD ROLLER PLUNGER		LSV ADJ PLUNGER		SEQUENCE BASIC	
	OPERATING POINT	OPERATING POINT	OPERATING POINT	OPERATING POINT	OPERATING POINT	OPERATING POINT	OPERATING POINT	OPERATING POINT
PRETRAVEL (MAX)	.070	.070	.070	.070	.070	.070	.070	.070
DIFFERENTIAL TRAVEL (MAX)	.015	.020	.015	.020	.015	.020	.015	.020
OVERTRAVEL (MIN)	.190	.190	.190	.190	.190	.190	.170	.170
OPERATING FORCE (MAX)	4 LBS	4 LBS	4 LBS	4 LBS	4 LBS	4 LBS	4 LBS	4 LBS
OPERATING POINT FORCE (MAX)	1.805 ± .030	2.200 ± .040	2.085 MIN	2.335 MAX	2.085 MIN	2.335 MAX	1.815 ± .030	2.210 ± .040
FULL OVERTRAVEL	7 LBS	7 LBS	7 LBS	7 LBS	7 LBS	7 LBS	7 LBS	7 LBS

CHARACTERISTICS	LSE PLUNGER		LSF ROLLER PLUNGER		LSW ADJ PLUNGER		SEQUENCE BASIC	
	OPERATING POINT	OPERATING POINT	OPERATING POINT	OPERATING POINT	OPERATING POINT	OPERATING POINT	OPERATING POINT	OPERATING POINT
PRETRAVEL (MAX)	.100	.100	.100	.100	.170	.170	.100	.100
DIFFERENTIAL TRAVEL (MAX)	.045	.045	.045	.045	.090	.090	.020	.020
OVERTRAVEL (MIN)	.190	.190	.190	.190	.080	.080	.170	.170
OPERATING FORCE (MAX)	6 LBS	6 LBS	6 LBS	6 LBS	10 LBS	10 LBS	6 LBS	6 LBS
OPERATING POINT FORCE (MAX)	1.300 ± .030	1.735 ± .040	ADJUSTABLE FROM 1.615 MIN	1.865 MAX	1.480 ± .030	1.480 ± .030	1.310 ± .030	1.745 ± .040
FULL OVERTRAVEL	6 LBS	6 LBS	6 LBS	6 LBS	10 LBS	10 LBS	6 LBS	6 LBS

SIDE PLUNGER TYPES

THIS DRAWING COVERS A PROPRIETARY ITEM AND IS THE PROPERTY OF MICRO SWITCH, A DIVISION OF HONEYWELL. THIS DRAWING IS NOT TO BE COPIED OR USED WITHOUT THE APPROVAL OF MICRO SWITCH.

**MICRO SWITCH**  
a Honeywell Division

SWITCH - ENCLOSED

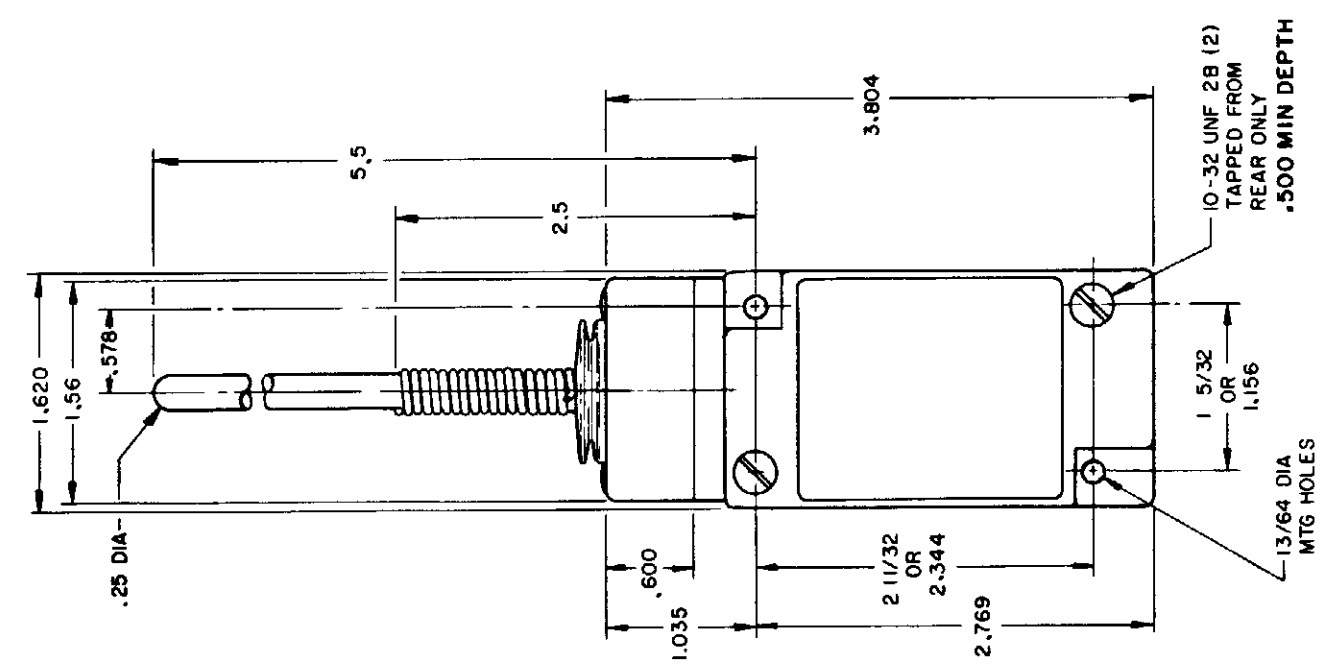
CATALOG LISTING  
**LSA-LSW SERIES**  
CHART 1

SCALE NONE  
DO NOT SCALE PRINT  
DIMENSIONS ARE IN INCHES  
TOLERANCES:  
ONE PLACE (.0)  
TWO PLACE (.00)  
THREE PLACE (.000)  
ANGLES  
WEIGHT

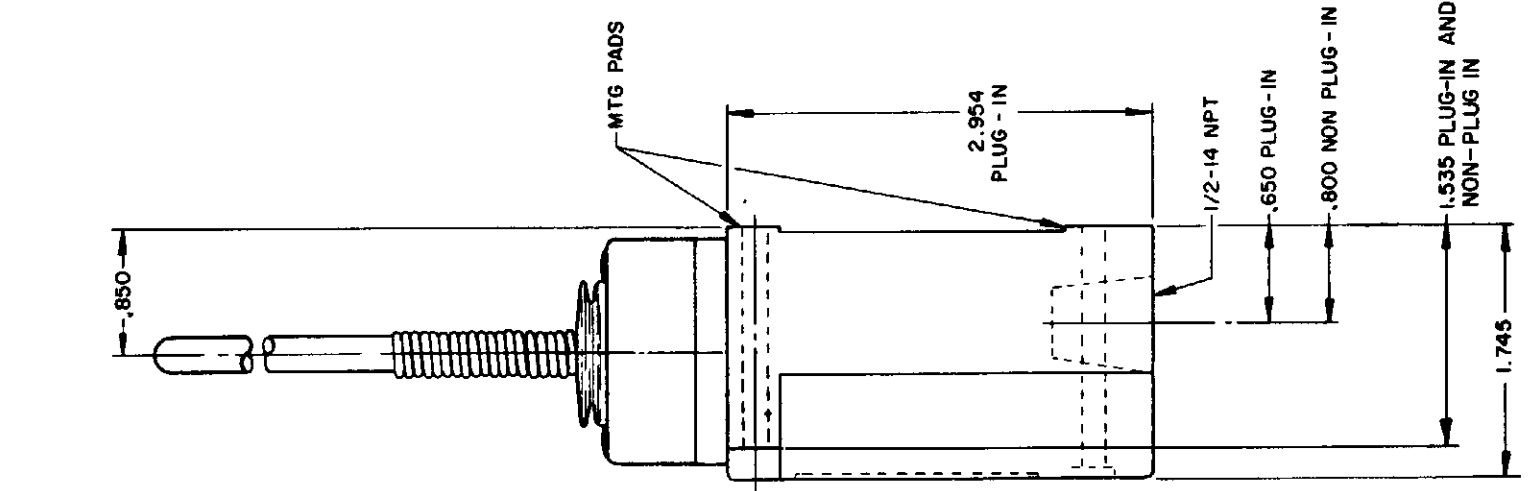
**WOBBLE STICK**

**SINGLE POLE**

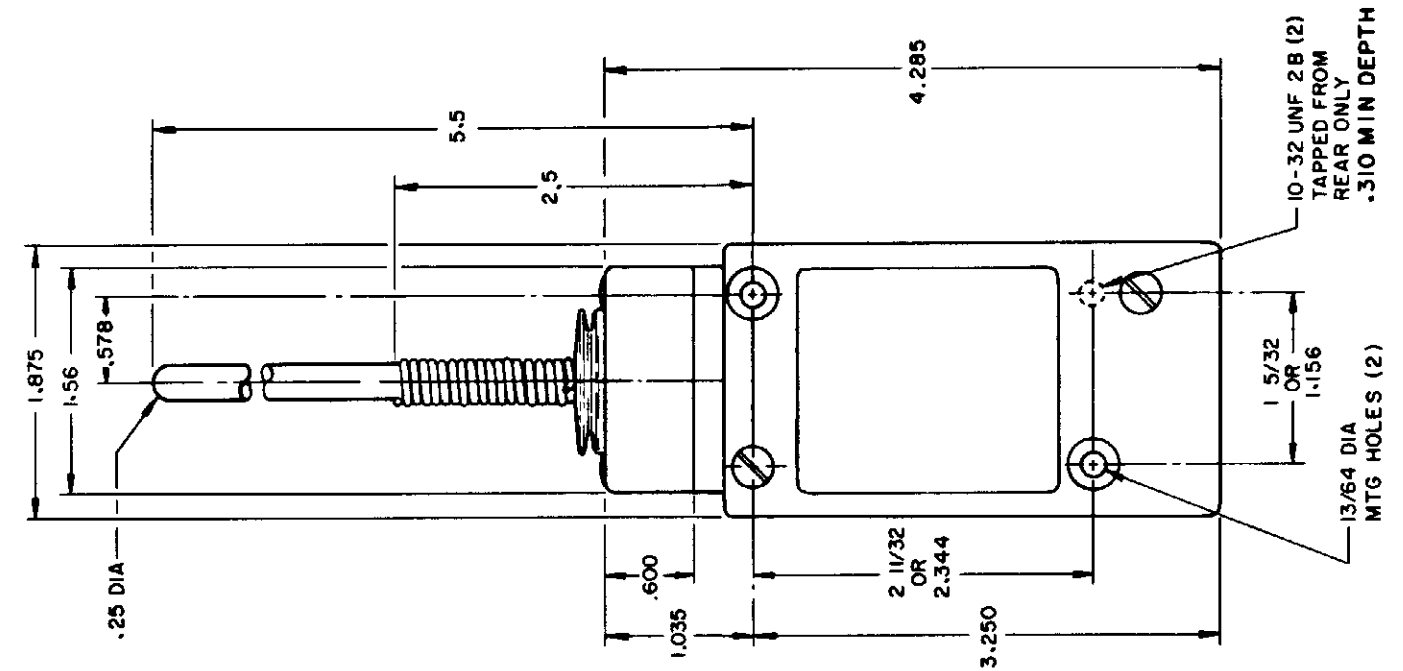
**DOUBLE POLE**



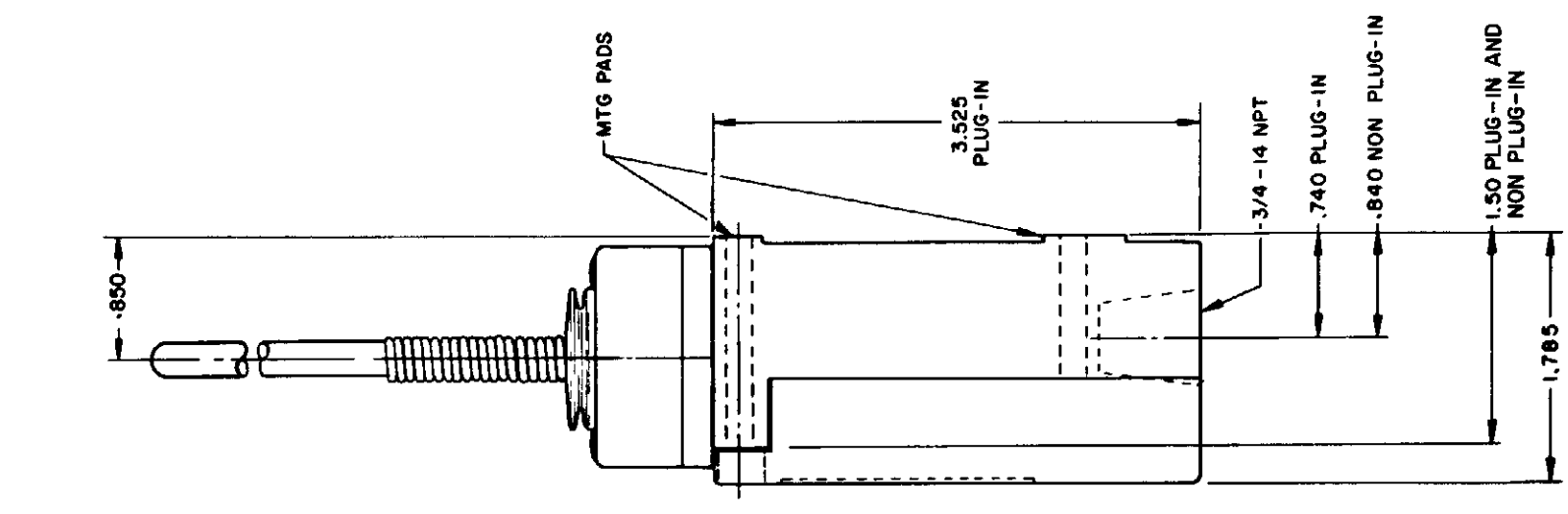
**PLASTIC EXTENSION  
TYPE 7A ACTUATOR**  
TYPE LSJ1 AND LSJ3



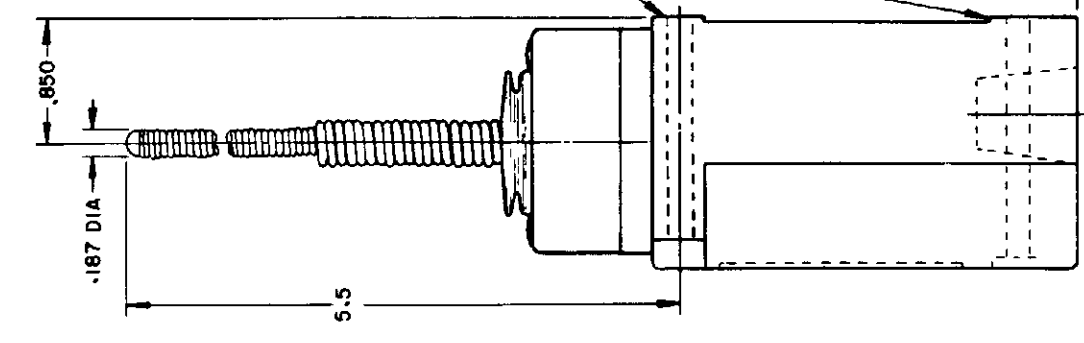
**REPLACEMENT ACTUATOR  
LSZ-4009**



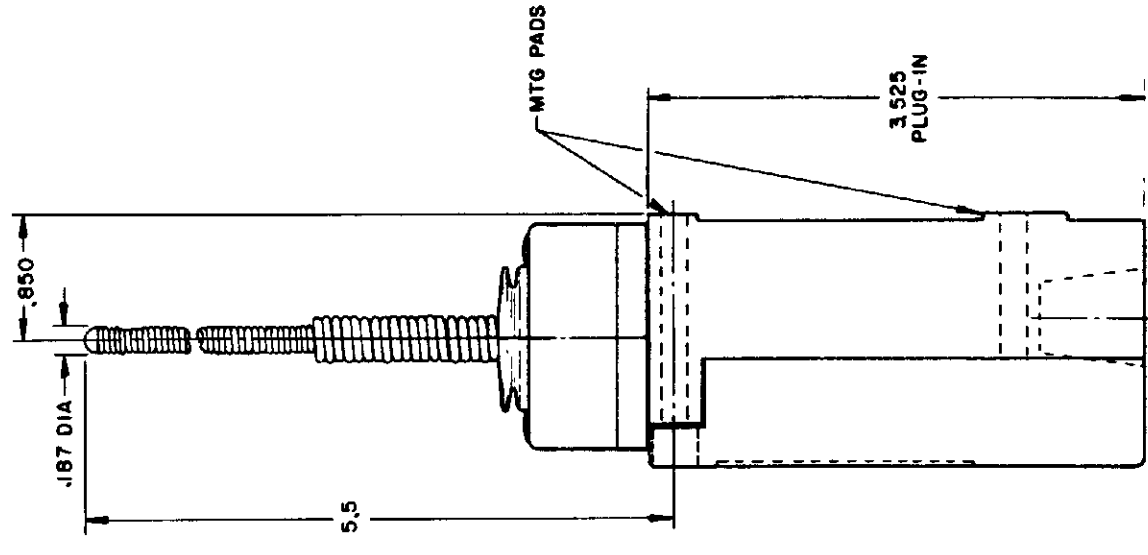
**PLASTIC EXTENSION  
TYPE 7A ACTUATOR**  
TYPE LSJ2 AND LSJ4  
LSJ6 AND LSJ7 HAVE  
1/2 - 14 NPT CONDUIT HOLE



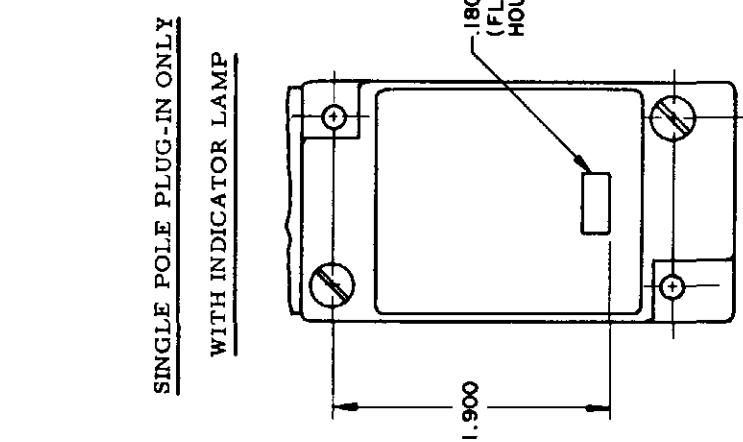
**REPLACEMENT ACTUATOR  
LSZ-4011**



**CABLE EXTENSION  
TYPE 7N ACTUATOR**



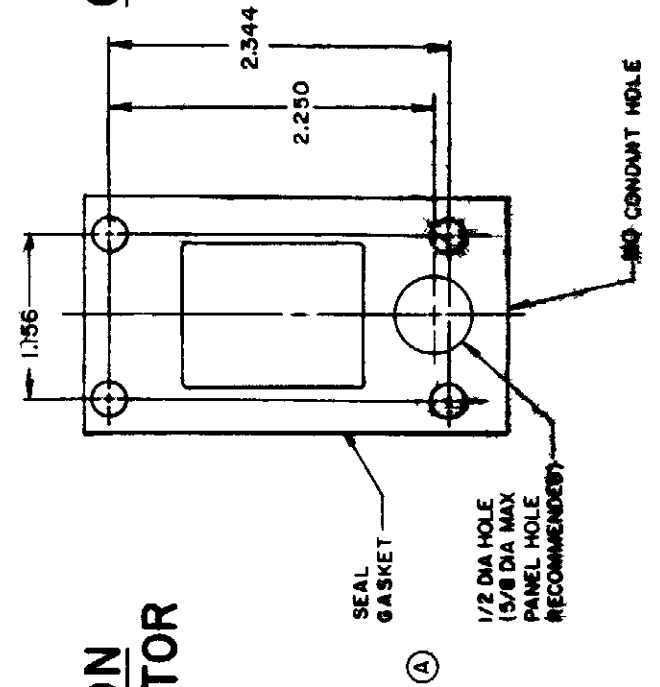
**CABLE EXTENSION  
TYPE 7N ACTUATOR**



**120 LAMP VOLTAGE TYPE LSJ5  
240 LAMP VOLTAGE TYPE LSJ8  
24 LED VOLTAGE TYPE LSJ9**



**MANIFOLD MOUNT (PLUG-IN ONLY)  
SINGLE POLE AND DOUBLE POLE  
TYPE LSA THROUGH LSW SERIES**



**CABLE EXTENSION  
TYPE 7N ACTUATOR**



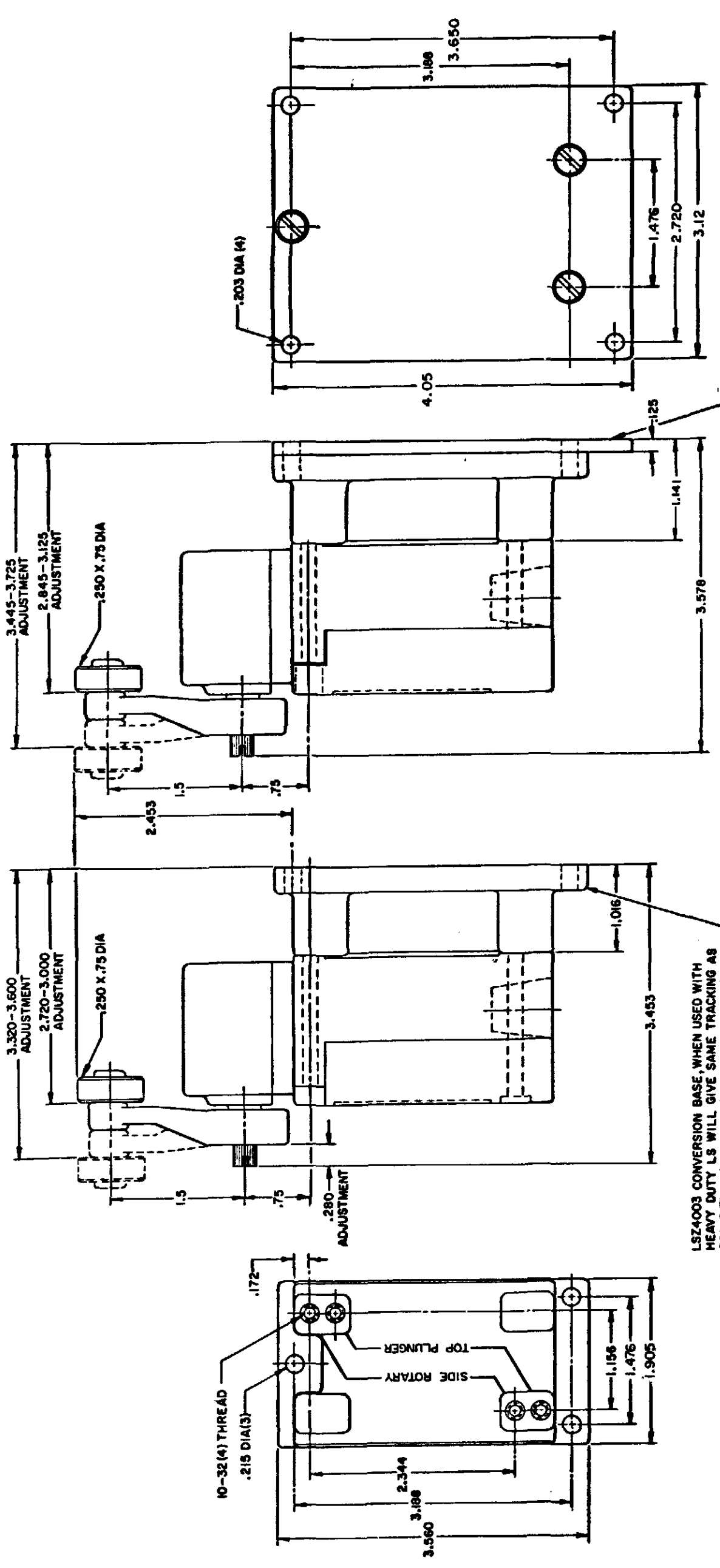


ISSUE	12	PSR	10JUL07	RELEASE NO	CO-78498	REPLACES	LSA-LSW SERIES																																																																																								
CATALOG LISTING	LSA-LSW SERIES CHART 1																																																																																														
REVISIONS	<table border="1"> <tr><td>L</td><td>0031956</td><td>BS</td><td>10JUL07</td><td>11AUG04</td><td>AK</td><td>11AUG04</td><td>check</td></tr> <tr><td>B</td><td>201004</td><td>BS</td><td>10AUG00</td><td></td><td></td><td></td><td></td></tr> <tr><td>C</td><td>201748</td><td>BS</td><td>10AUG00</td><td></td><td></td><td></td><td></td></tr> <tr><td>D</td><td>202198</td><td>BS</td><td>17NOV00</td><td></td><td></td><td></td><td></td></tr> <tr><td>E</td><td>204871</td><td>CSL</td><td>23JAN01</td><td></td><td></td><td></td><td></td></tr> <tr><td>F</td><td>206581</td><td>GJW</td><td>FEB02</td><td></td><td></td><td></td><td></td></tr> <tr><td>G</td><td>206763</td><td>GLH</td><td>14OCT02</td><td></td><td></td><td></td><td></td></tr> <tr><td>H</td><td>207179</td><td>CSL</td><td>31OCT02</td><td></td><td></td><td></td><td></td></tr> <tr><td>J</td><td>207474</td><td>GLH</td><td>14JAN03</td><td></td><td></td><td></td><td></td></tr> <tr><td>K</td><td>0006871</td><td>RSB</td><td>18FEB03</td><td></td><td></td><td></td><td></td></tr> <tr><td>KR</td><td></td><td></td><td></td><td></td><td></td><td></td><td></td></tr> </table>							L	0031956	BS	10JUL07	11AUG04	AK	11AUG04	check	B	201004	BS	10AUG00					C	201748	BS	10AUG00					D	202198	BS	17NOV00					E	204871	CSL	23JAN01					F	206581	GJW	FEB02					G	206763	GLH	14OCT02					H	207179	CSL	31OCT02					J	207474	GLH	14JAN03					K	0006871	RSB	18FEB03					KR							
L	0031956	BS	10JUL07	11AUG04	AK	11AUG04	check																																																																																								
B	201004	BS	10AUG00																																																																																												
C	201748	BS	10AUG00																																																																																												
D	202198	BS	17NOV00																																																																																												
E	204871	CSL	23JAN01																																																																																												
F	206581	GJW	FEB02																																																																																												
G	206763	GLH	14OCT02																																																																																												
H	207179	CSL	31OCT02																																																																																												
J	207474	GLH	14JAN03																																																																																												
K	0006871	RSB	18FEB03																																																																																												
KR																																																																																															
RASTER	MAM 15 JUN 94 check JAF 11 JUL 94 check																																																																																														

# CONVERSION BASES

## SINGLE POLE (SIDE ROTARY) LSZ 4003

## DOUBLE POLE (SIDE ROTARY) LSZ 4004

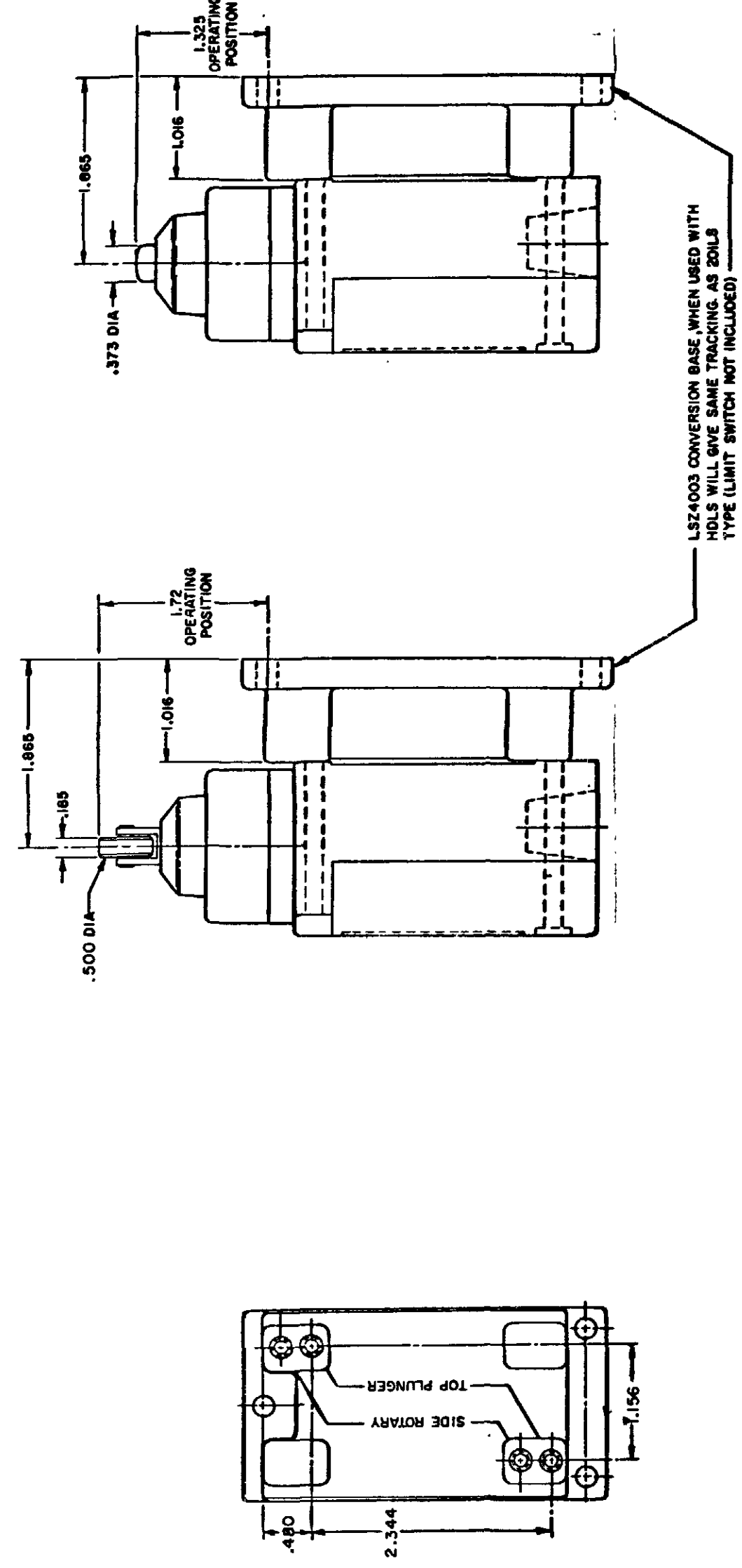


LSZ4003 CONVERSION BASE WHEN USED WITH HEAVY DUTY LS WILL GIVE SAME TRACKING AS 20LS TYPE (LIMIT SWITCH NOT INCLUDED)

LSZ4004 (FURNISHED ASSEMBLED) CONVERSION BASE, WHEN USED WITH HOLDS WILL GIVE SAME TRACKING AS 30LS TYPE (LIMIT SWITCH NOT INCLUDED)

NOTE  
 SEE OTHER PAGES OF LSA-LSW  
 (M) DRAWING FOR DIMENSION OF LIMITS

## SINGLE POLE TOP PLUNGER LSZ 4003



NOTE  
 SEE OTHER PAGES OF LSA-LSW  
 (M) DRAWING FOR DIMENSION OF LIMIT SWITCH

THIS DRAWING COVERS A PROPRIETARY ITEM AND IS THE PROPERTY OF MICRO SWITCH, A DIVISION OF HONEYWELL. THIS DRAWING IS NOT TO BE COPIED OR USED WITHOUT THE APPROVAL OF MICRO SWITCH.		PAGE 9 OF 10
<b>MICRO SWITCH</b> a Honeywell Division	SWITCH - ENCLOSED	CATALOG LISTING <b>LSA-LSW SERIES</b> CHART 1
FED MFG CODE 91829		

SCALE FULL  
 DO NOT SCALE PRINT

HEAD TYPE	CELLULUBE	DETERGENT	5 STAR	ASTM #1	ASTM #2	ASTM #3	ASTM #4	HOUGHTON SAFE 271	HOUGHTON SAFE 820	HOUGHTON SAFE 1010, 1055	MINERAL OIL	PETR. OIL CRUDE	SILICON GR & OIL	SUNSAFE	BEER	STODDARD SOLV.	CHLORINATED SOLVENTS	CITRIC ACID	D-ESTER SYN. LUBRICANTS	OZONE	HYDRAUL	PROGUARD	PETRO. BASE HYDRAULIC OIL	LARD OIL	SILICATE ESTERS
LSA	4	1	1	1	1	2	1	4	1	1	1	1	1	1	4	1	2	4	4	4	4	1	1	2	
LSB	4	1	1	1	1	2	1	4	1	1	1	1	1	1	4	1	2	4	4	4	4	1	1	2	
LSC	4	2	2	1	2	4	4	2	4	2	2	1	2	1	2	4	1	4	3	4	4	2	2	2	
LSD	4	2	2	1	2	4	4	2	4	2	2	1	2	1	2	4	1	4	3	4	4	2	2	2	
LSE	4	2	2	1	2	4	4	2	4	2	2	1	2	1	2	4	1	4	3	4	4	2	2	2	
LSF	4	2	2	1	2	4	4	2	4	2	2	1	2	1	2	4	1	4	2	4	4	2	2	2	
LSG	4	2	2	1	2	4	4	2	4	2	2	1	2	1	2	4	1	4	3	4	4	2	2	2	
LSH	4	1	1	1	1	2	1	4	1	1	1	1	1	1	4	1	2	4	4	4	4	1	1	2	
LSJ	4	2	2	1	2	4	4	2	4	2	2	1	2	1	2	4	1	4	3	4	4	2	2	2	
LSK	4	2	2	1	2	4	4	2	4	2	2	1	2	1	2	4	1	4	3	4	4	2	2	2	
LSL	4	1	1	1	1	2	1	4	1	1	1	1	1	1	4	1	2	4	4	4	4	1	1	2	
LSM	4	1	1	1	1	2	1	4	1	1	1	1	1	1	4	1	2	4	4	4	4	1	1	2	
LSN	4	1	1	1	1	2	1	4	1	1	1	1	1	1	4	1	2	4	4	4	4	1	1	2	
LSP	4	1	1	1	1	2	1	4	1	1	1	1	1	1	4	1	2	4	4	4	4	1	1	2	
LSR	4	1	1	1	1	2	1	4	1	1	1	1	1	1	4	1	2	4	4	4	4	1	1	2	
LSV	4	2	2	1	2	4	4	2	4	2	2	1	2	1	2	4	1	4	3	4	4	2	2	2	
LSW	4	2	2	1	2	4	4	2	4	2	2	1	2	1	2	4	1	4	2	4	4	2	2	2	
LST	UNSEALED DEVICE, INTENDED TO MEET NEMA 1 ONLY																								
LSS	UNSEALED DEVICE, INTENDED TO MEET NEMA 1 ONLY																								

CODE: 1 SATISFACTORY 2 FAIR 3 DOUBTFUL 4 UNSATISFACTORY

TYPES	LOW LIMIT	HIGH LIMIT
LSA	+10°F	+250°F
LSB	+30°F	+250°F
LSC	+10°F	+200°F
LSD	+10°F	+200°F
LSE	+10°F	+200°F
LSF	+10°F	+200°F
LSG	+30°F	+200°F
LSH	+30°F	+250°F
LSJ	+10°F	+200°F
LSK	+10°F	+200°F
LSL	+10°F	+250°F
LSM	+30°F	+250°F
LSN	+30°F	+250°F
LSP	+10°F	+250°F
LSR	+30°F	+250°F
LSV	+10°F	+200°F
LSW	+10°F	+200°F
LST	+30 F	+170°F
LSS	+30°F	+170°F

CATALOG LISTING  
**M** LSA-LSW SERIES CHART 1  
 PAGE 10 OF 10  
 ISSUE 12  
 PSR 10JUL07  
 CHECK 11AUG04  
 REVISIONS:  
 L 0031956 BS 10JUL07  
 B 201004 CS 10 AUG 00  
 C 201748 CS 17 NOV 00  
 D 202198 CS 23 JAN 01  
 E 204871 G J W FEB 02  
 F 206581 GLH 14 OCT 02  
 G 206783 CS 31 OCT 02  
 H 207179 GLH 14 JAN 03  
 J 207474 TSM 18 FEB 03  
 K 0006871 KR 11AUG04  
 DRAWN MAM 15 JUN 94  
 CHECK JAF 11 JUL 94  
 RASTER

THIS DRAWING COVERS A PROPRIETARY ITEM AND IS THE PROPERTY OF MICRO SWITCH A DIVISION OF HONEYWELL THIS DRAWING IS NOT TO BE COPIED OR USED WITHOUT THE APPROVAL OF MICRO SWITCH

**MICRO SWITCH**  
a Honeywell Division

SWITCH - ENCLOSED

LSA-LSW SERIES  
CHART 1

FED. MFG. CODE 91929



Компания «ЭлектроПласт» предлагает заключение долгосрочных отношений при поставках импортных электронных компонентов на взаимовыгодных условиях!

Наши преимущества:

- Оперативные поставки широкого спектра электронных компонентов отечественного и импортного производства напрямую от производителей и с крупнейших мировых складов;
- Поставка более 17-ти миллионов наименований электронных компонентов;
- Поставка сложных, дефицитных, либо снятых с производства позиций;
- Оперативные сроки поставки под заказ (от 5 рабочих дней);
- Экспресс доставка в любую точку России;
- Техническая поддержка проекта, помощь в подборе аналогов, поставка прототипов;
- Система менеджмента качества сертифицирована по Международному стандарту ISO 9001;
- Лицензия ФСБ на осуществление работ с использованием сведений, составляющих государственную тайну;
- Поставка специализированных компонентов (Xilinx, Altera, Analog Devices, Intersil, Interpoint, Microsemi, Aeroflex, Peregrine, Syfer, Eurofarad, Texas Instrument, Miteq, Cobham, E2V, MA-COM, Hittite, Mini-Circuits, General Dynamics и др.);

Помимо этого, одним из направлений компании «ЭлектроПласт» является направление «Источники питания». Мы предлагаем Вам помощь Конструкторского отдела:

- Подбор оптимального решения, техническое обоснование при выборе компонента;
- Подбор аналогов;
- Консультации по применению компонента;
- Поставка образцов и прототипов;
- Техническая поддержка проекта;
- Защита от снятия компонента с производства.



#### Как с нами связаться

**Телефон:** 8 (812) 309 58 32 (многоканальный)

**Факс:** 8 (812) 320-02-42

**Электронная почта:** [org@eplast1.ru](mailto:org@eplast1.ru)

**Адрес:** 198099, г. Санкт-Петербург, ул. Калинина, дом 2, корпус 4, литера А.