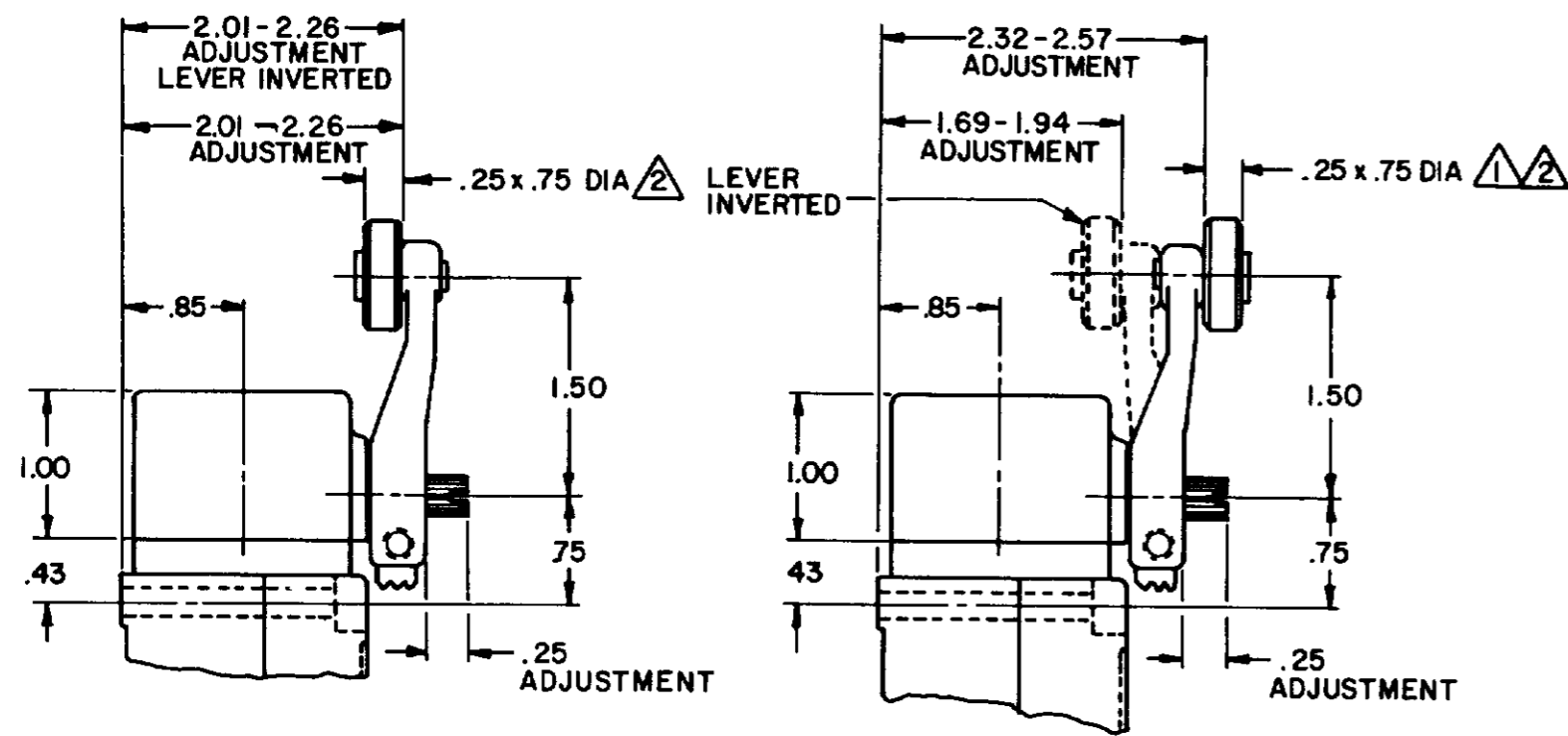
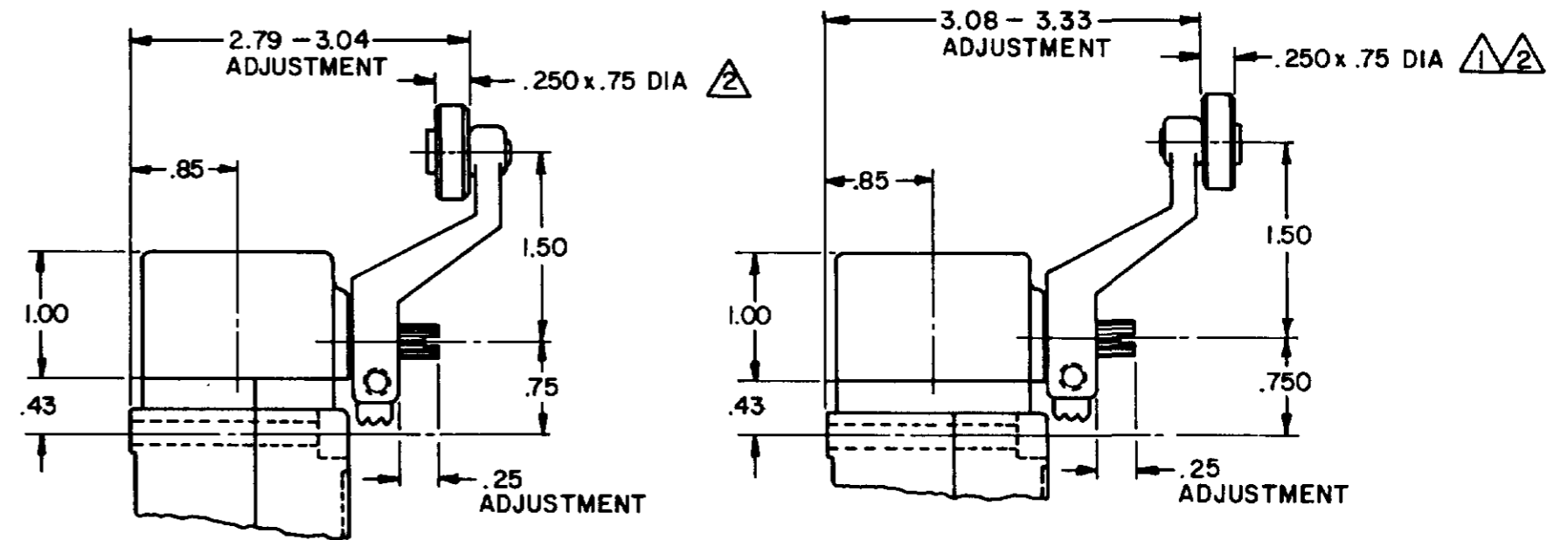




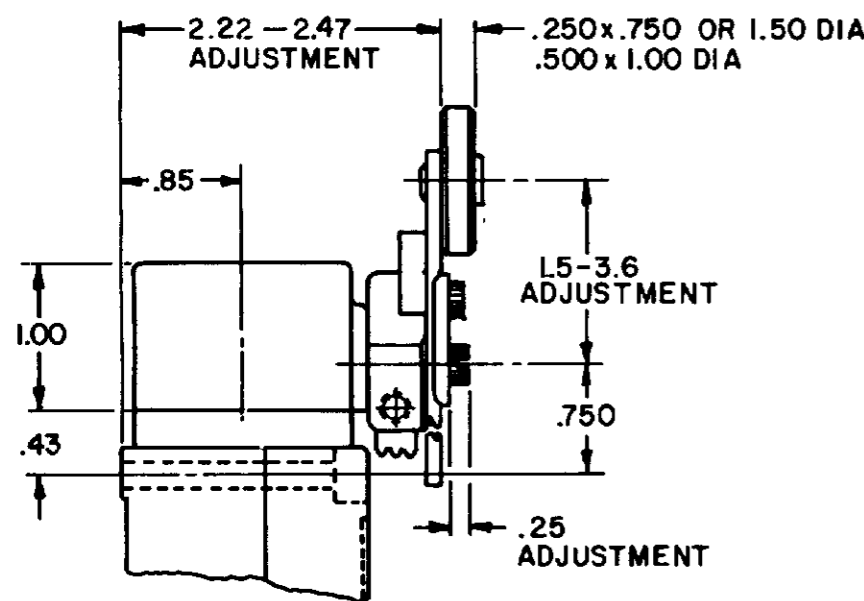
SIDE ROTARY CAM TRACKING



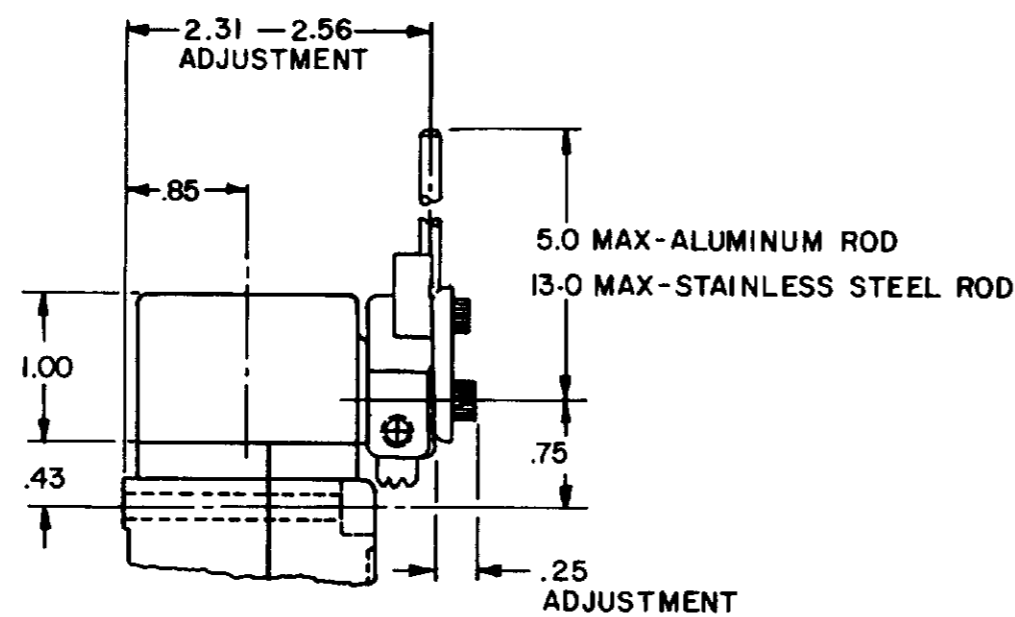
LSZ51 TYPE LEVERS



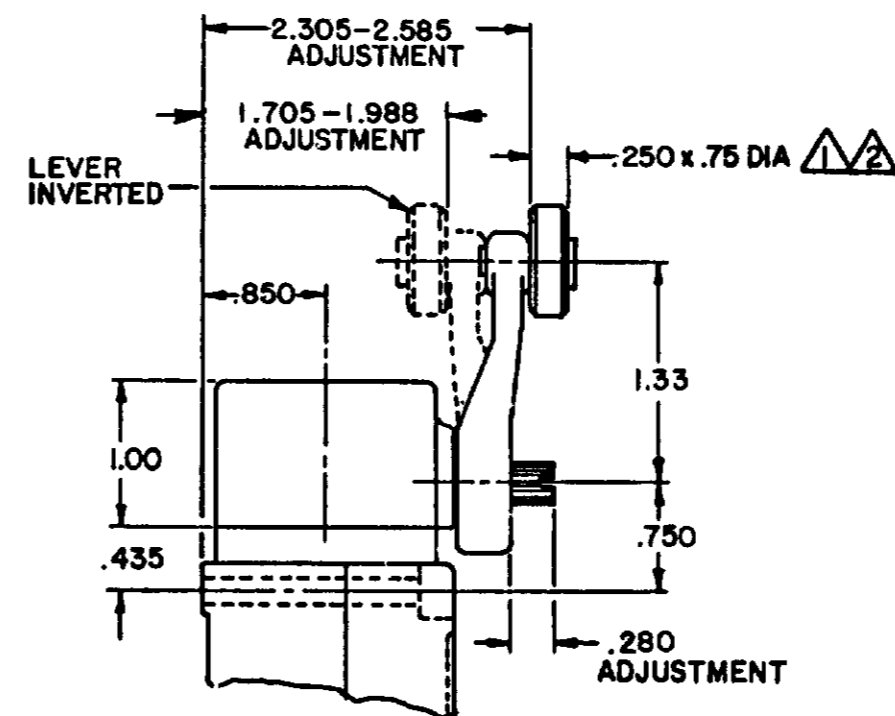
LSZ55 TYPE LEVERS



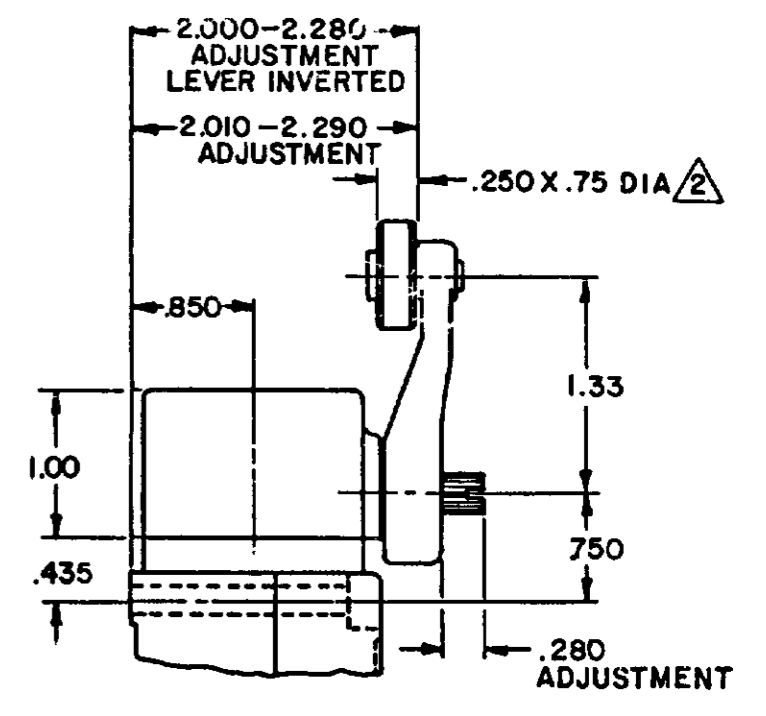
LSZ52 TYPE LEVER



LSZ54 TYPE LEVER



OPEN MOUNTED ROLLER



CLOSED MOUNTED ROLLER

LSZ59 TYPE LEVERS

NOTES

- ① ALSO AVAILABLE IN Ø.250 X 1.500 NYLON, BUT LEVER CANNOT BE INVERTED
- ② FOR ADDITIONAL ROLLER WIDTHS AND/OR DIAMETERS REFER TO "M" DRAWING
- 3 - FOR ADDITIONAL TYPES OF ROLLERS AND LEVERS REFER TO LSZ CHART 1 "M" DRAWING

CATALOG LISTING LSA-LSW SERIES CHART 1 PAGE 2 OF 10  
 ISSUE 12  
 REVISIONS: L 0031956 BS 10 JUL 07, B 201004 C.S.L. 10 AUG 00, C 201748 C.S.L. 17 NOV 00, D 202198 C.S.L. 23 JAN 01, E 204871 C.T.W. FEB 02, F 206581 G.L.H. 14 OCT 02, G 206763 C.S.L. 31 OCT 02, H 207179 G.L.H. 14 JAN 03, J 207474 S.H. 18 FEB 03, K 0006871 RR 11 MAR 04  
 CHECK PSR 10 JUL 07, 11 AUG 04, 11 JUL 94, 11 JUN 94  
 RELEASE NO. CO-78498 REPLACES LSA-LSW SERIES  
 DRAWN MAM  
 RASTER

PAGE 2 OF 10

THIS DRAWING COVERS A PROPRIETARY ITEM AND IS THE PROPERTY OF MICRO SWITCH, A DIVISION OF HONEYWELL. THIS DRAWING IS NOT TO BE COPIED OR USED WITHOUT THE APPROVAL OF MICRO SWITCH.

**MICRO SWITCH**  
a Honeywell Division

**SWITCH - ENCLOSED**

CATALOG LISTING  
**LSA-LSW SERIES CHART 1**

FED MFG CODE 91929

THIRD ANGLE PROJECTION	
SCALE NONE	
DO NOT SCALE PRINT	
UNLESS OTHERWISE SPECIFIED TOLERANCES ARE	
ONE PLACE ( )	±.030
TWO PLACES (.00)	±.015
THREE PLACES (.000)	±.005
ANGLES	±
WEIGHT	

ISSUE 12 PSR 10JUL07 RELEASE NO CO-78498 REPLACES LSA-LSW SERIES

CATALOG LISTING  
**M** LSA-LSW SERIES CHART 1  
PAGE 3 OF 10

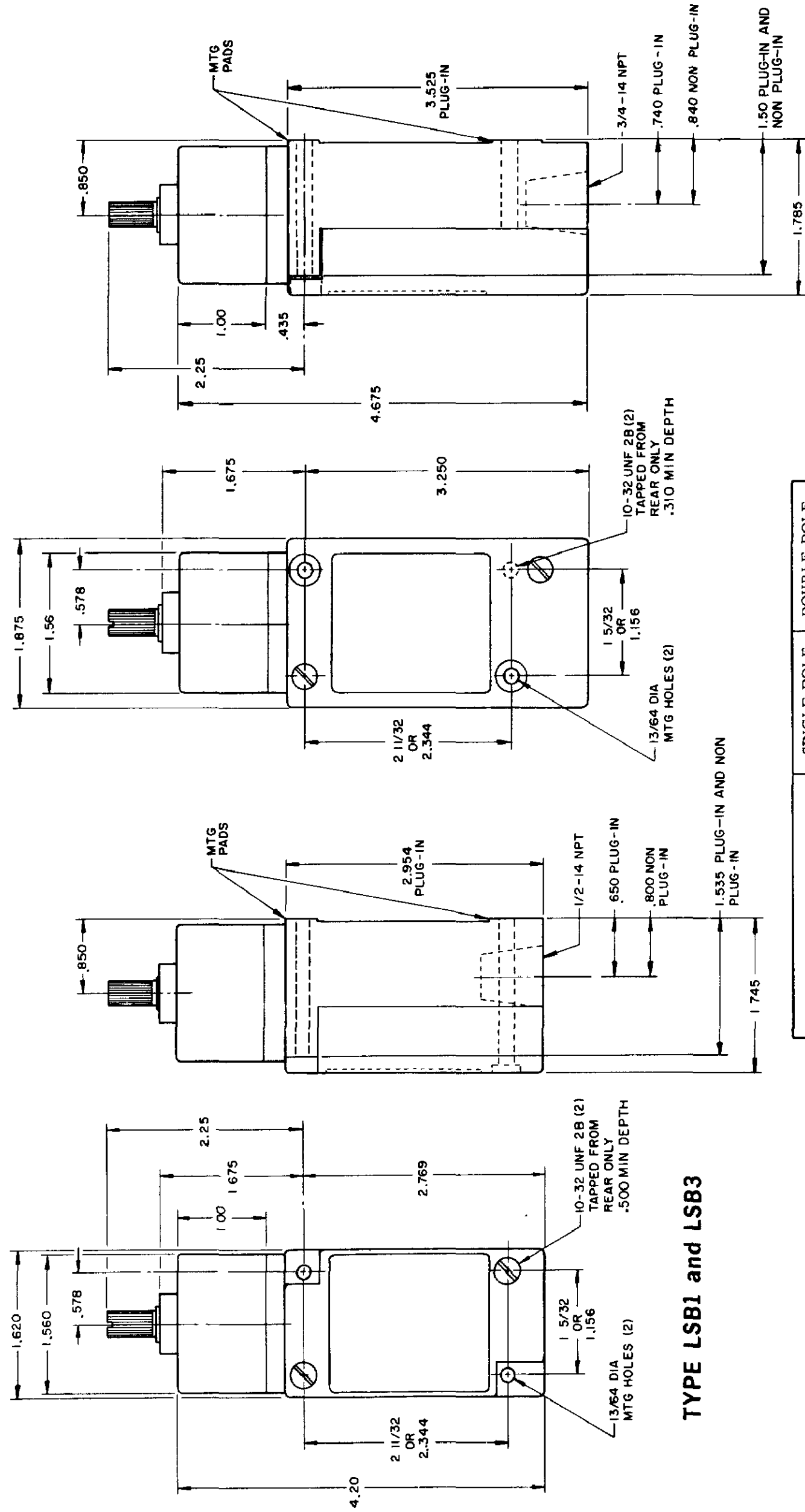
REV. S I O N S  
L 0031958  
M 1 JUL 07  
B 201004  
C 201748  
D 202198  
E 204871  
F 206581  
G 206763  
H 207179  
J 207474  
K 0006871

15 JUN 94  
1 JUL 94  
1 AUG 94  
1 SEP 94  
1 OCT 94  
1 NOV 94  
1 DEC 94  
1 JAN 95  
1 FEB 95  
1 MAR 95  
1 APR 95  
1 MAY 95  
1 JUN 95  
1 JUL 95  
1 AUG 95  
1 SEP 95  
1 OCT 95  
1 NOV 95  
1 DEC 95  
1 JAN 96  
1 FEB 96  
1 MAR 96  
1 APR 96  
1 MAY 96  
1 JUN 96  
1 JUL 96  
1 AUG 96  
1 SEP 96  
1 OCT 96  
1 NOV 96  
1 DEC 96  
1 JAN 97  
1 FEB 97  
1 MAR 97  
1 APR 97  
1 MAY 97  
1 JUN 97  
1 JUL 97  
1 AUG 97  
1 SEP 97  
1 OCT 97  
1 NOV 97  
1 DEC 97  
1 JAN 98  
1 FEB 98  
1 MAR 98  
1 APR 98  
1 MAY 98  
1 JUN 98  
1 JUL 98  
1 AUG 98  
1 SEP 98  
1 OCT 98  
1 NOV 98  
1 DEC 98  
1 JAN 99  
1 FEB 99  
1 MAR 99  
1 APR 99  
1 MAY 99  
1 JUN 99  
1 JUL 99  
1 AUG 99  
1 SEP 99  
1 OCT 99  
1 NOV 99  
1 DEC 99  
1 JAN 00  
1 FEB 00  
1 MAR 00  
1 APR 00  
1 MAY 00  
1 JUN 00  
1 JUL 00  
1 AUG 00  
1 SEP 00  
1 OCT 00  
1 NOV 00  
1 DEC 00  
1 JAN 01  
1 FEB 01  
1 MAR 01  
1 APR 01  
1 MAY 01  
1 JUN 01  
1 JUL 01  
1 AUG 01  
1 SEP 01  
1 OCT 01  
1 NOV 01  
1 DEC 01  
1 JAN 02  
1 FEB 02  
1 MAR 02  
1 APR 02  
1 MAY 02  
1 JUN 02  
1 JUL 02  
1 AUG 02  
1 SEP 02  
1 OCT 02  
1 NOV 02  
1 DEC 02  
1 JAN 03  
1 FEB 03  
1 MAR 03  
1 APR 03  
1 MAY 03  
1 JUN 03  
1 JUL 03  
1 AUG 03  
1 SEP 03  
1 OCT 03  
1 NOV 03  
1 DEC 03  
1 JAN 04  
1 FEB 04  
1 MAR 04  
1 APR 04  
1 MAY 04  
1 JUN 04  
1 JUL 04  
1 AUG 04  
1 SEP 04  
1 OCT 04  
1 NOV 04  
1 DEC 04  
1 JAN 05  
1 FEB 05  
1 MAR 05  
1 APR 05  
1 MAY 05  
1 JUN 05  
1 JUL 05  
1 AUG 05  
1 SEP 05  
1 OCT 05  
1 NOV 05  
1 DEC 05  
1 JAN 06  
1 FEB 06  
1 MAR 06  
1 APR 06  
1 MAY 06  
1 JUN 06  
1 JUL 06  
1 AUG 06  
1 SEP 06  
1 OCT 06  
1 NOV 06  
1 DEC 06  
1 JAN 07  
1 FEB 07  
1 MAR 07  
1 APR 07  
1 MAY 07  
1 JUN 07  
1 JUL 07  
1 AUG 07  
1 SEP 07  
1 OCT 07  
1 NOV 07  
1 DEC 07  
1 JAN 08  
1 FEB 08  
1 MAR 08  
1 APR 08  
1 MAY 08  
1 JUN 08  
1 JUL 08  
1 AUG 08  
1 SEP 08  
1 OCT 08  
1 NOV 08  
1 DEC 08  
1 JAN 09  
1 FEB 09  
1 MAR 09  
1 APR 09  
1 MAY 09  
1 JUN 09  
1 JUL 09  
1 AUG 09  
1 SEP 09  
1 OCT 09  
1 NOV 09  
1 DEC 09  
1 JAN 10  
1 FEB 10  
1 MAR 10  
1 APR 10  
1 MAY 10  
1 JUN 10  
1 JUL 10  
1 AUG 10  
1 SEP 10  
1 OCT 10  
1 NOV 10  
1 DEC 10  
1 JAN 11  
1 FEB 11  
1 MAR 11  
1 APR 11  
1 MAY 11  
1 JUN 11  
1 JUL 11  
1 AUG 11  
1 SEP 11  
1 OCT 11  
1 NOV 11  
1 DEC 11  
1 JAN 12  
1 FEB 12  
1 MAR 12  
1 APR 12  
1 MAY 12  
1 JUN 12  
1 JUL 12  
1 AUG 12  
1 SEP 12  
1 OCT 12  
1 NOV 12  
1 DEC 12  
1 JAN 13  
1 FEB 13  
1 MAR 13  
1 APR 13  
1 MAY 13  
1 JUN 13  
1 JUL 13  
1 AUG 13  
1 SEP 13  
1 OCT 13  
1 NOV 13  
1 DEC 13  
1 JAN 14  
1 FEB 14  
1 MAR 14  
1 APR 14  
1 MAY 14  
1 JUN 14  
1 JUL 14  
1 AUG 14  
1 SEP 14  
1 OCT 14  
1 NOV 14  
1 DEC 14  
1 JAN 15  
1 FEB 15  
1 MAR 15  
1 APR 15  
1 MAY 15  
1 JUN 15  
1 JUL 15  
1 AUG 15  
1 SEP 15  
1 OCT 15  
1 NOV 15  
1 DEC 15  
1 JAN 16  
1 FEB 16  
1 MAR 16  
1 APR 16  
1 MAY 16  
1 JUN 16  
1 JUL 16  
1 AUG 16  
1 SEP 16  
1 OCT 16  
1 NOV 16  
1 DEC 16  
1 JAN 17  
1 FEB 17  
1 MAR 17  
1 APR 17  
1 MAY 17  
1 JUN 17  
1 JUL 17  
1 AUG 17  
1 SEP 17  
1 OCT 17  
1 NOV 17  
1 DEC 17  
1 JAN 18  
1 FEB 18  
1 MAR 18  
1 APR 18  
1 MAY 18  
1 JUN 18  
1 JUL 18  
1 AUG 18  
1 SEP 18  
1 OCT 18  
1 NOV 18  
1 DEC 18  
1 JAN 19  
1 FEB 19  
1 MAR 19  
1 APR 19  
1 MAY 19  
1 JUN 19  
1 JUL 19  
1 AUG 19  
1 SEP 19  
1 OCT 19  
1 NOV 19  
1 DEC 19  
1 JAN 20  
1 FEB 20  
1 MAR 20  
1 APR 20  
1 MAY 20  
1 JUN 20  
1 JUL 20  
1 AUG 20  
1 SEP 20  
1 OCT 20  
1 NOV 20  
1 DEC 20  
1 JAN 21  
1 FEB 21  
1 MAR 21  
1 APR 21  
1 MAY 21  
1 JUN 21  
1 JUL 21  
1 AUG 21  
1 SEP 21  
1 OCT 21  
1 NOV 21  
1 DEC 21  
1 JAN 22  
1 FEB 22  
1 MAR 22  
1 APR 22  
1 MAY 22  
1 JUN 22  
1 JUL 22  
1 AUG 22  
1 SEP 22  
1 OCT 22  
1 NOV 22  
1 DEC 22  
1 JAN 23  
1 FEB 23  
1 MAR 23  
1 APR 23  
1 MAY 23  
1 JUN 23  
1 JUL 23  
1 AUG 23  
1 SEP 23  
1 OCT 23  
1 NOV 23  
1 DEC 23  
1 JAN 24  
1 FEB 24  
1 MAR 24  
1 APR 24  
1 MAY 24  
1 JUN 24  
1 JUL 24  
1 AUG 24  
1 SEP 24  
1 OCT 24  
1 NOV 24  
1 DEC 24  
1 JAN 25  
1 FEB 25  
1 MAR 25  
1 APR 25  
1 MAY 25  
1 JUN 25  
1 JUL 25  
1 AUG 25  
1 SEP 25  
1 OCT 25  
1 NOV 25  
1 DEC 25  
1 JAN 26  
1 FEB 26  
1 MAR 26  
1 APR 26  
1 MAY 26  
1 JUN 26  
1 JUL 26  
1 AUG 26  
1 SEP 26  
1 OCT 26  
1 NOV 26  
1 DEC 26  
1 JAN 27  
1 FEB 27  
1 MAR 27  
1 APR 27  
1 MAY 27  
1 JUN 27  
1 JUL 27  
1 AUG 27  
1 SEP 27  
1 OCT 27  
1 NOV 27  
1 DEC 27  
1 JAN 28  
1 FEB 28  
1 MAR 28  
1 APR 28  
1 MAY 28  
1 JUN 28  
1 JUL 28  
1 AUG 28  
1 SEP 28  
1 OCT 28  
1 NOV 28  
1 DEC 28  
1 JAN 29  
1 FEB 29  
1 MAR 29  
1 APR 29  
1 MAY 29  
1 JUN 29  
1 JUL 29  
1 AUG 29  
1 SEP 29  
1 OCT 29  
1 NOV 29  
1 DEC 29  
1 JAN 30  
1 FEB 30  
1 MAR 30  
1 APR 30  
1 MAY 30  
1 JUN 30  
1 JUL 30  
1 AUG 30  
1 SEP 30  
1 OCT 30  
1 NOV 30  
1 DEC 30  
1 JAN 31  
1 FEB 31  
1 MAR 31  
1 APR 31  
1 MAY 31  
1 JUN 31  
1 JUL 31  
1 AUG 31  
1 SEP 31  
1 OCT 31  
1 NOV 31  
1 DEC 31

**TOP ROTARY**

**SINGLE POLE**

**DOUBLE POLE**



**TYPE LSB1 and LSB3**

**TYPE LSB2 and LSB4**

LSB6 and LSB7 have 1/2 - 14 NPT CONDUIT HOLE

	SINGLE POLE	DOUBLE POLE
PRETRAVEL MAX	25°	25°
OVERTRAVEL MIN	110°	110°
DIFFERENTIAL TRAVEL MAX	10°	12°
OPERATING TORQUE MAX	2 5 IN. LBS	2 5 IN. LBS
TOTAL TRAVEL (REF)	135°	135°

**ELECTRICAL RATINGS**

A.C. VOLTAGE	AMPS AT 35 POWER FACTOR			
	SINGL POLE		DOUBLE POLE	
	MAKE	BREAK	MAKE	BREAK
120	60	6	30	3
240	30	3	15	1.5
480	15	1.5	7.5	7.5
600	12	1.2	6	6

D.C. VOLTAGE	MAKE & BREAK	
	INDUCTIVE	RESISTIVE
120	0.25	0.80
240	0.15	0.40

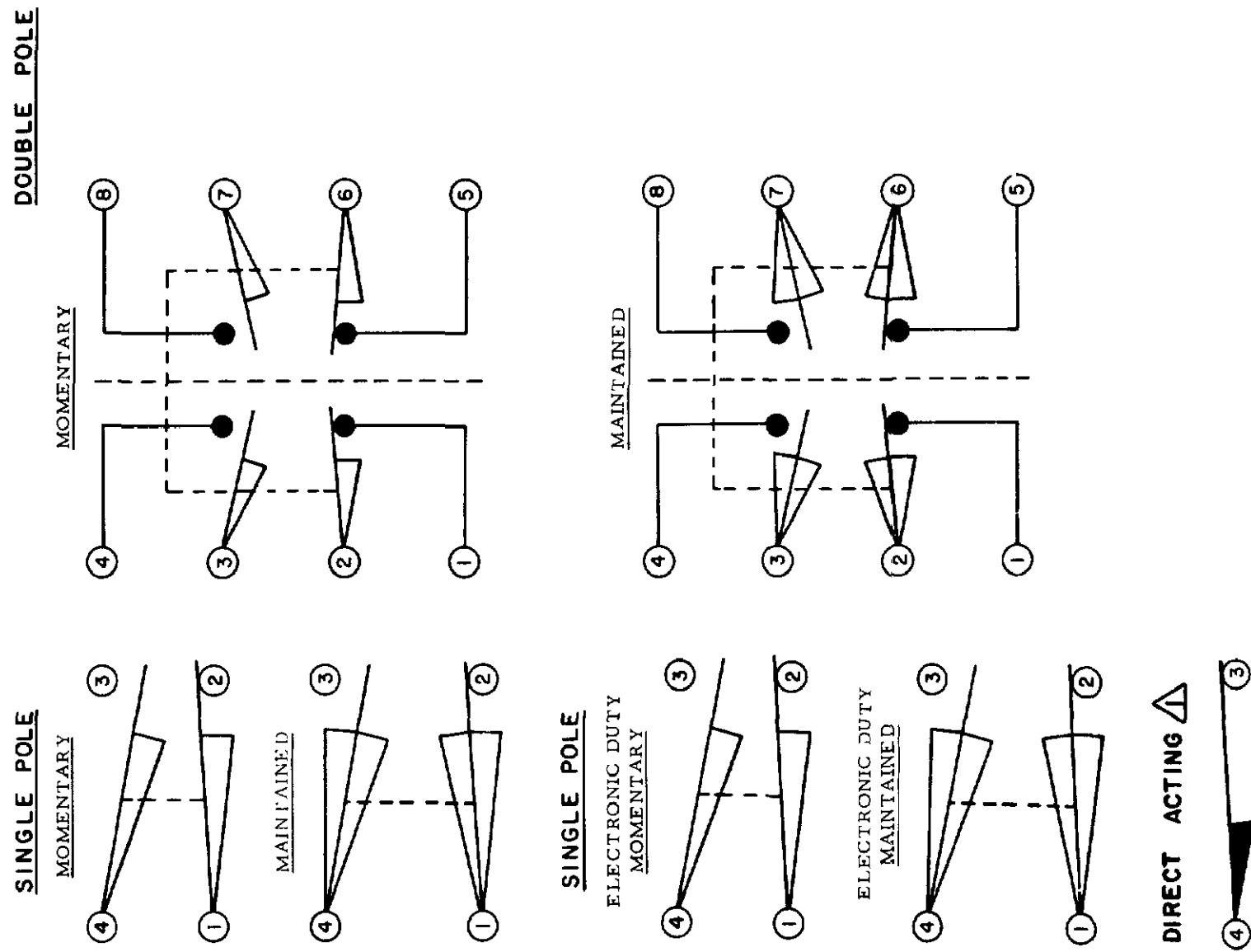
ELECTRONIC DUTY BASIC SWITCH  
10 AMP CONT.

VOLTAGE	MAKE AND BREAK AMPS
5 AC OR DC MIN	01 AMP MIN
600 AC	720 VA
240 DC	30 WATT

DIRECT ACTING (ALSO RATED AT A.C. 10 AMP CONT.)

D.C. VOLTAGE	MAKE AND BREAK AMPS	
	INDUCTIVE	RESISTIVE
30	4.2	4.2
120	1.1	1.1
240	.55	.55

**WIRING BASIC SWITCH (SAME POLARITY MUST BE OBSERVED FOR EACH POLE)**

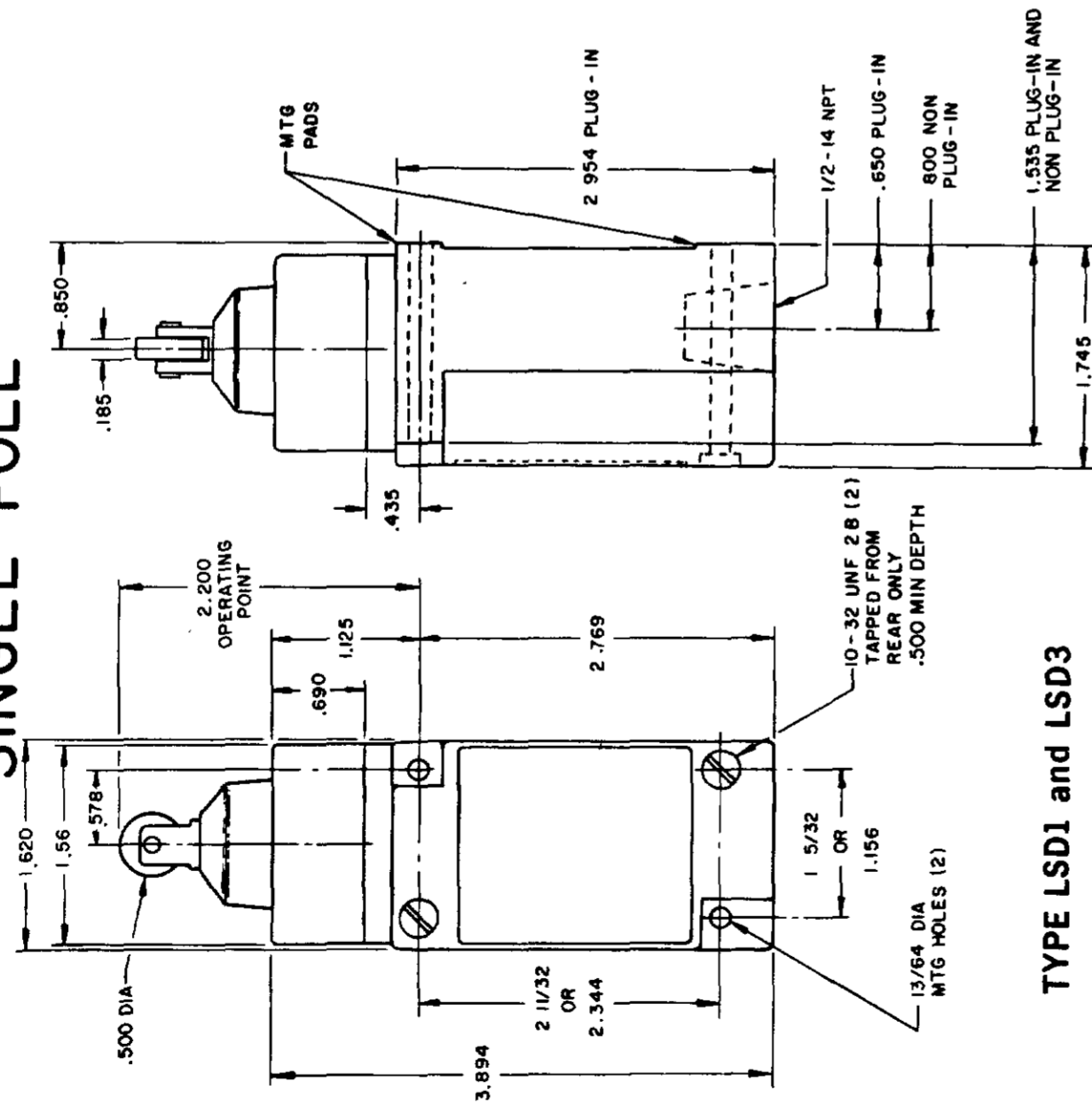


NOTES  
DIFFERENTIAL TRAVEL ON ALL OPERATING CHARACTERISTICS NOT APPLICABLE

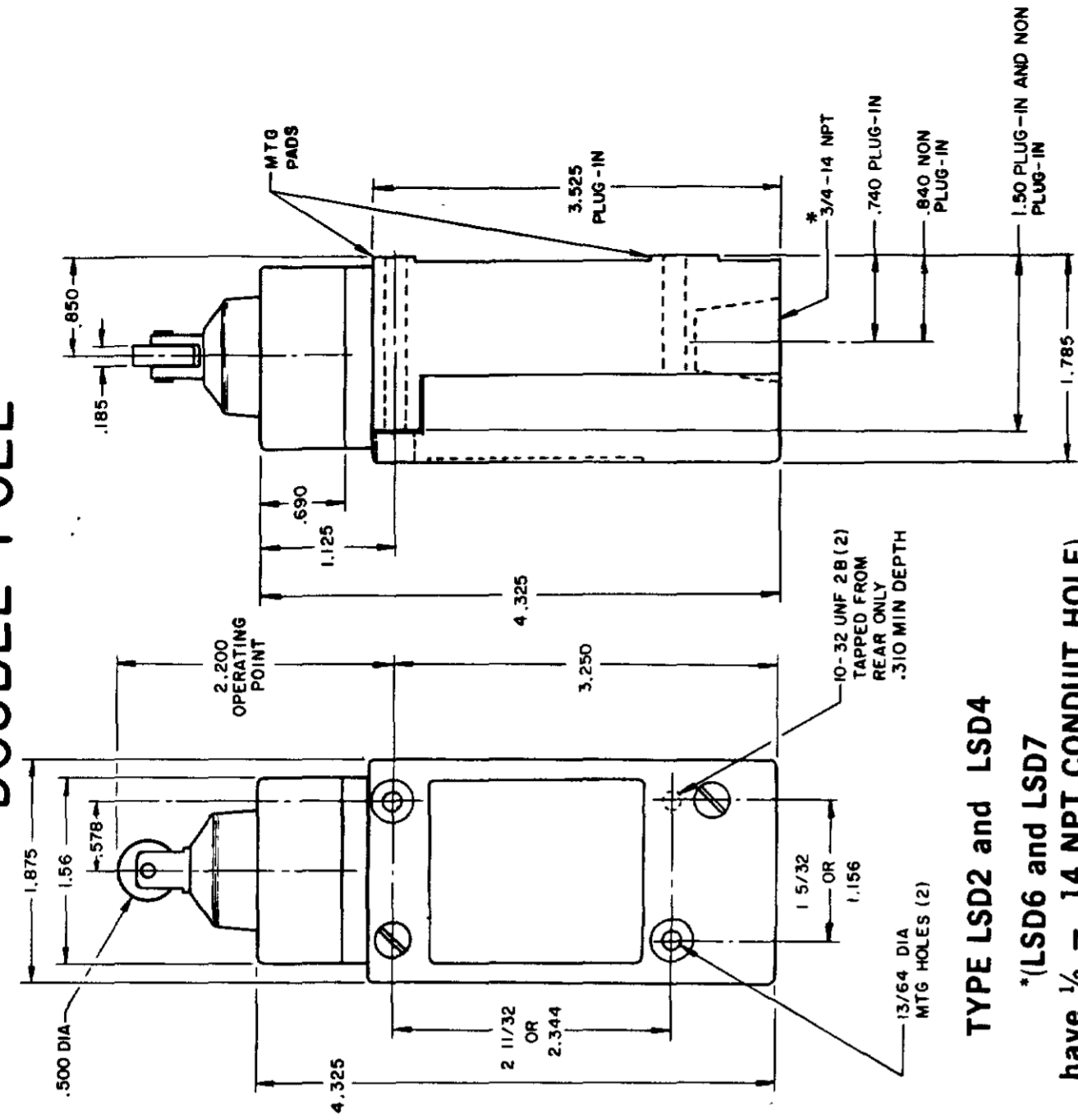
# PLUNGER TYPE TOP

## SINGLE POLE

## DOUBLE POLE

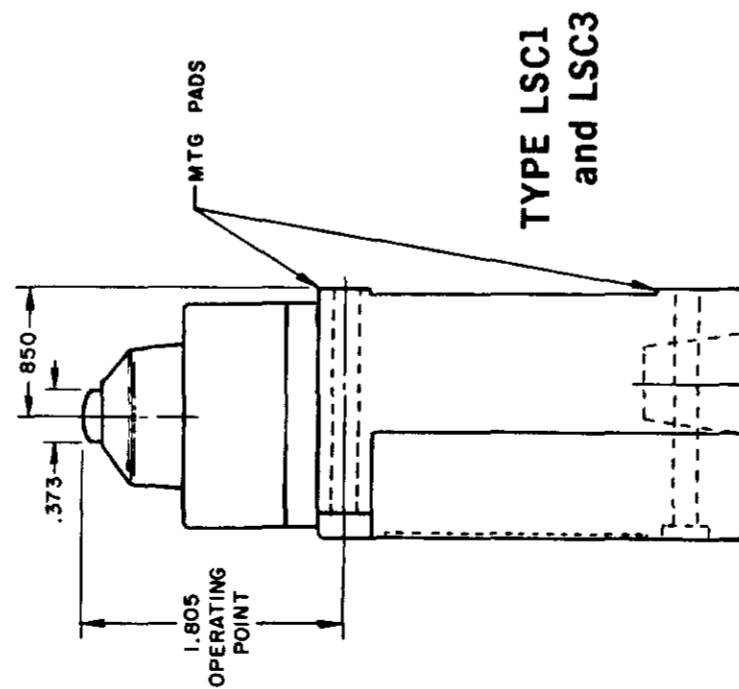


TYPE LSD1 and LSD3

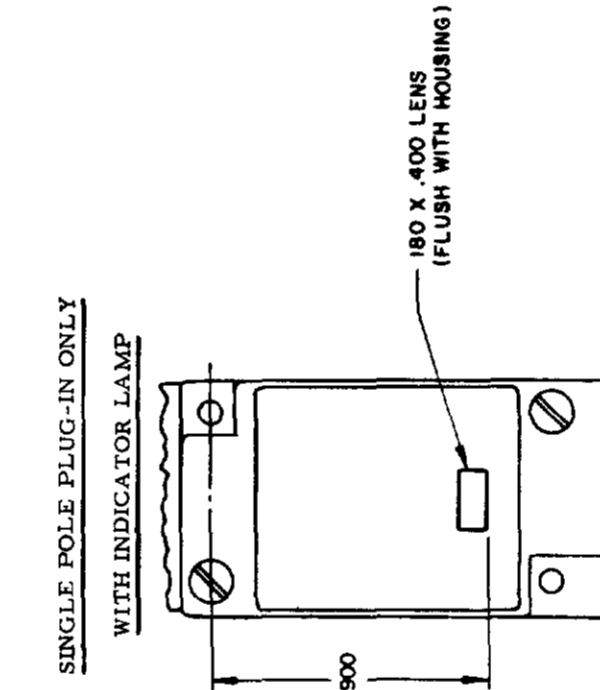


TYPE LSD2 and LSD4

\*(LSD6 and LSD7 have 1/2 - 14 NPT CONDUIT HOLE)



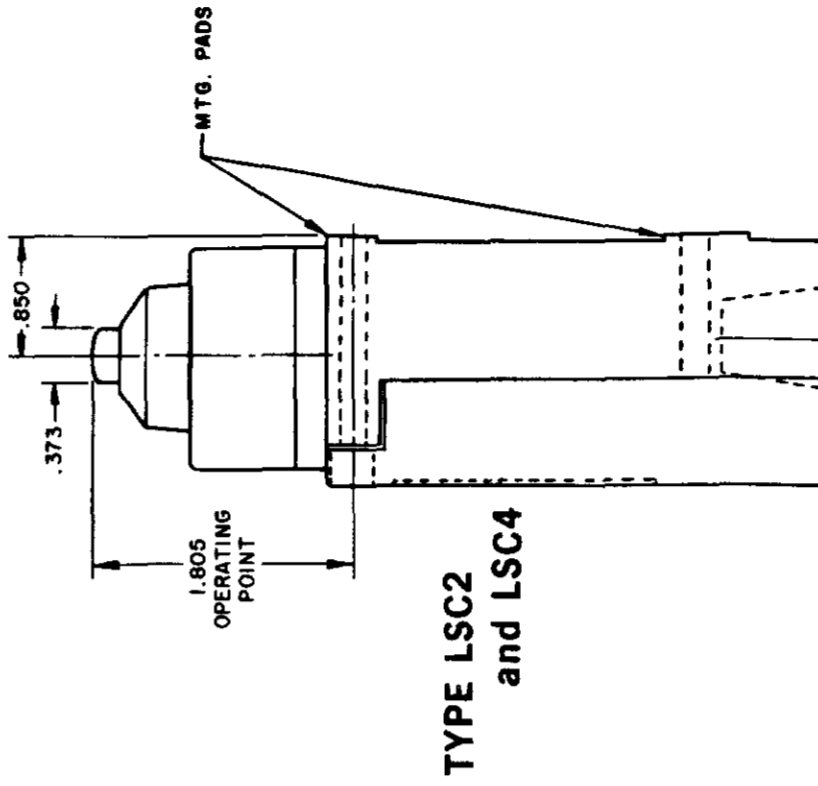
TYPE LSC1 and LSC3



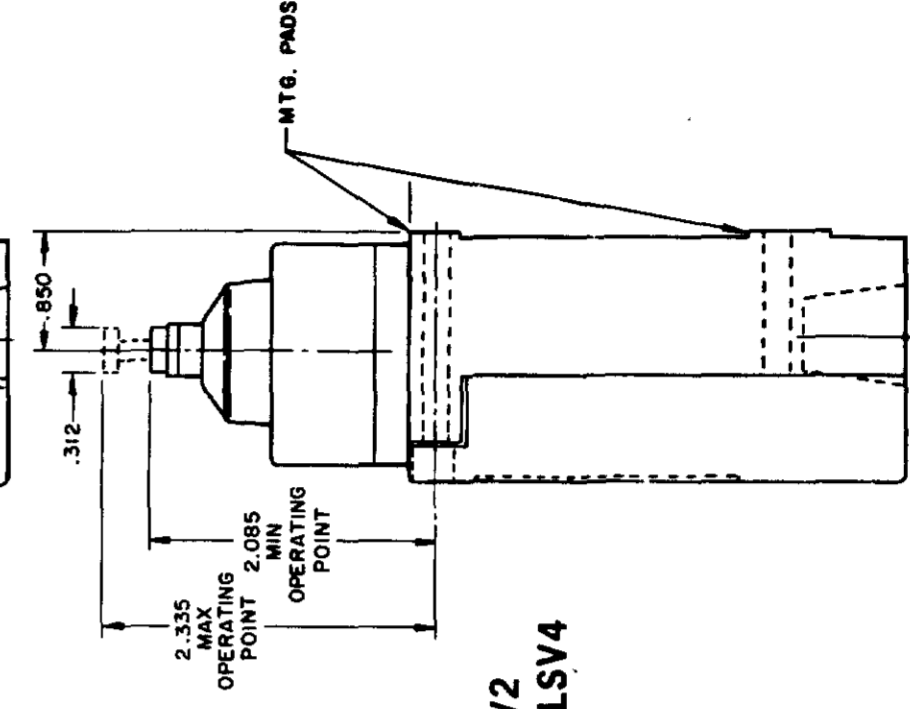
SINGLE POLE PLUG-IN ONLY WITH INDICATOR LAMP

120 LAMP VOLTAGE - TYPE LSC5, LSD5 or LSV5

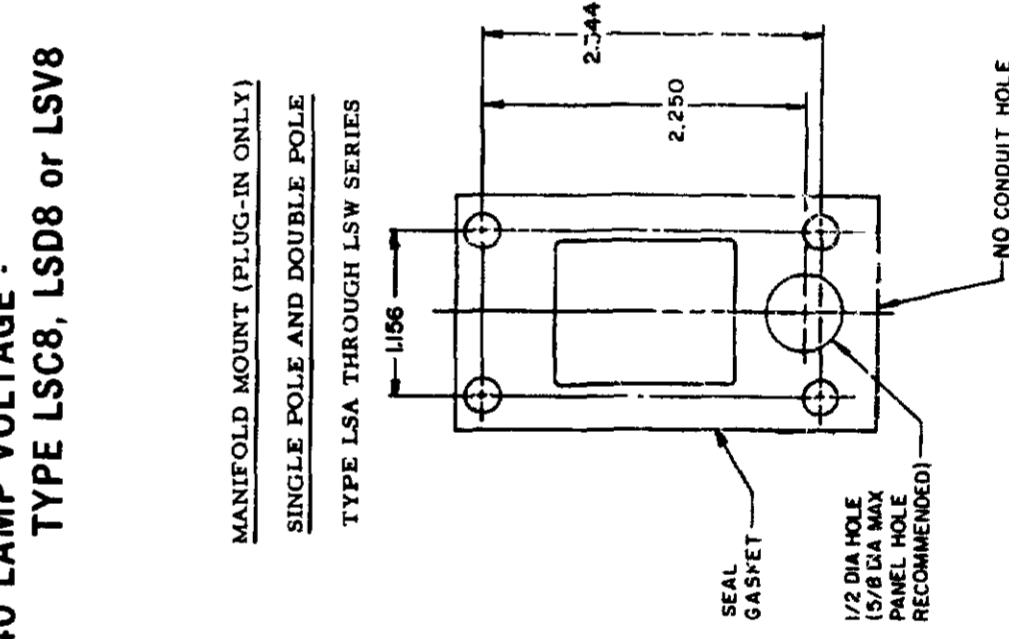
240 LAMP VOLTAGE - TYPE LSC8, LSD8 or LSV8



TYPE LSC2 and LSC4



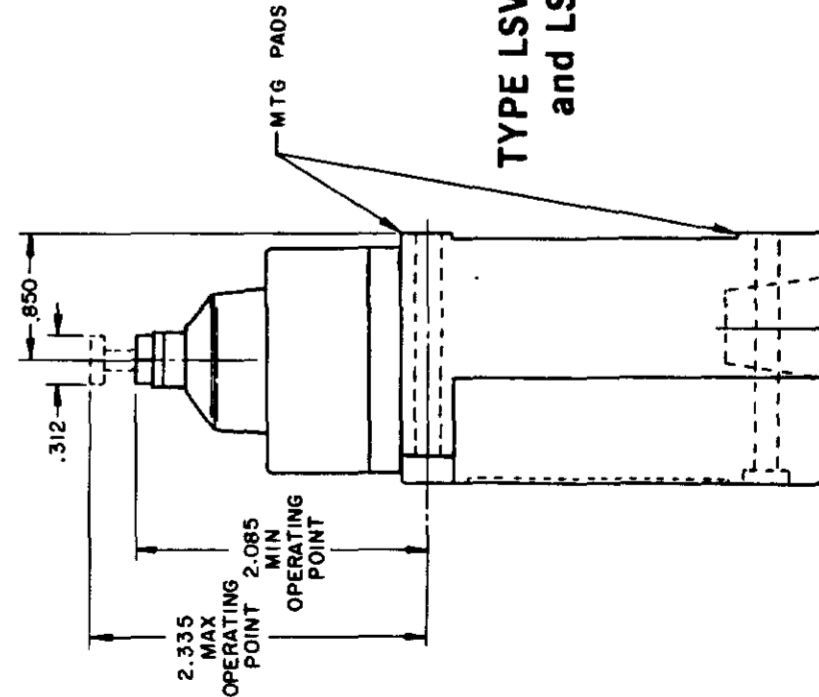
TYPE LSV2 and LSV4



MANIFOLD MOUNT (PLUG-IN ONLY)

SINGLE POLE AND DOUBLE POLE

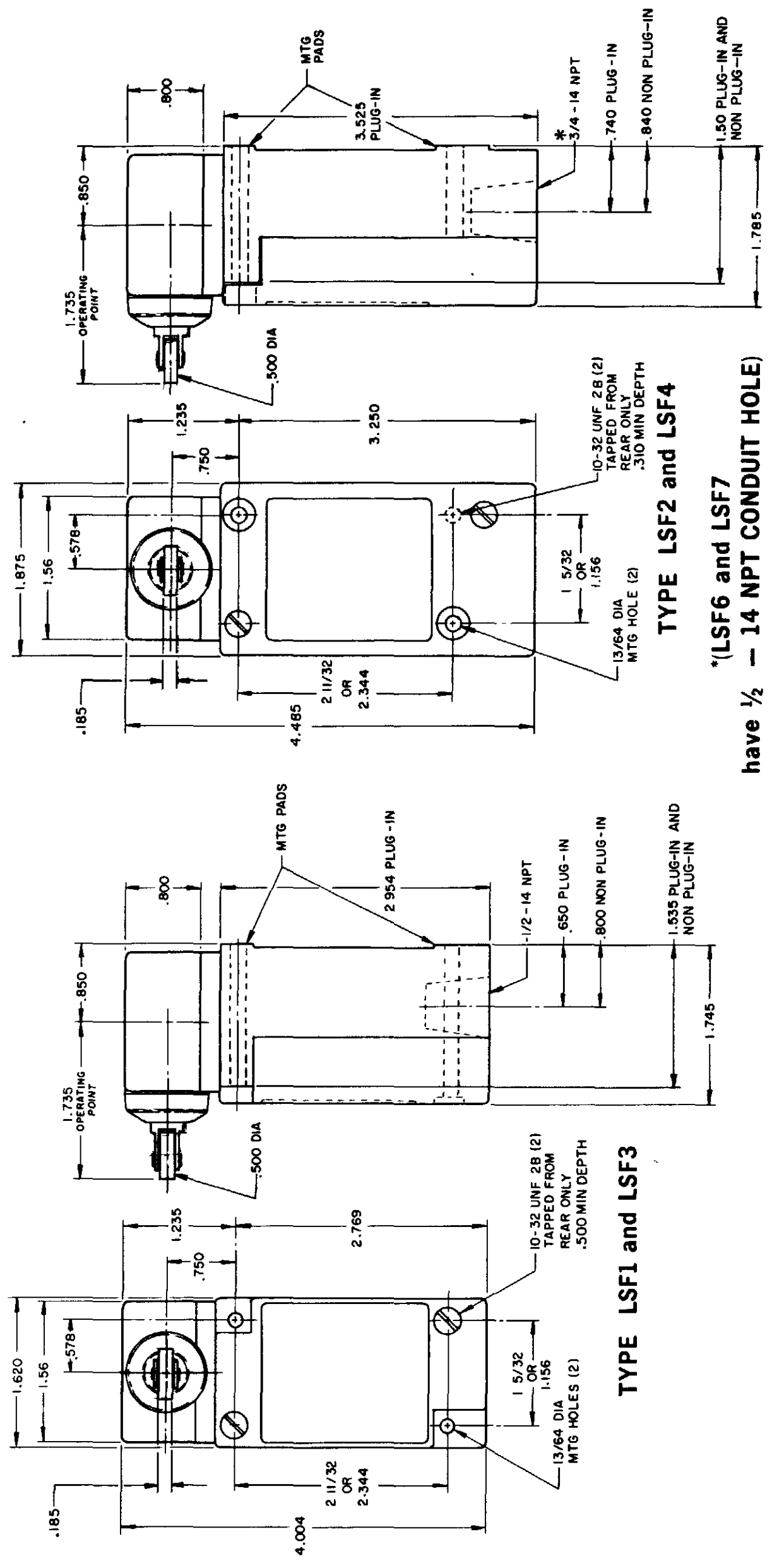
TYPE LSA THROUGH LSW SERIES



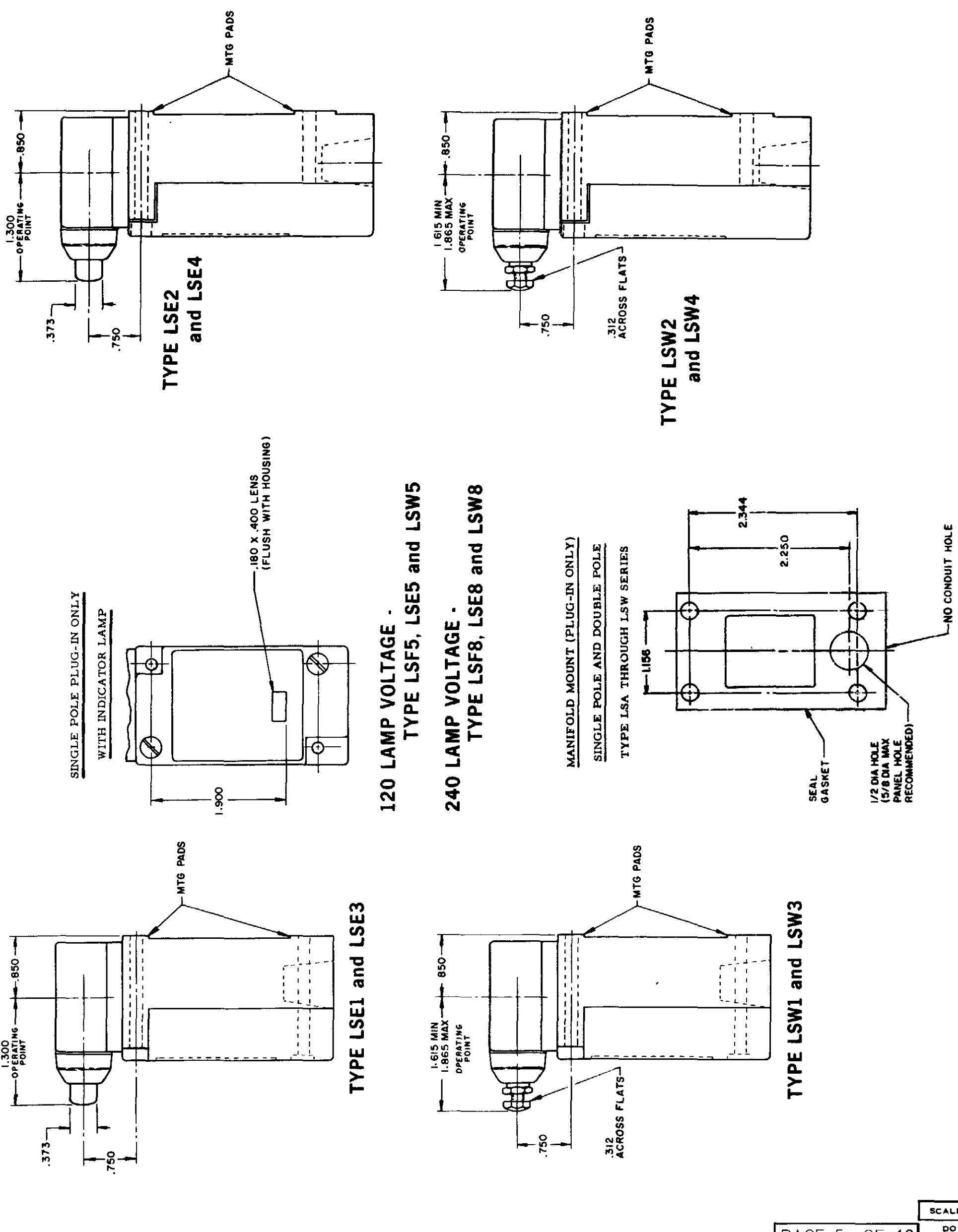
TYPE LSV1 and LSV3

RASTER	15 JUN 94	CHECK	JAF
DRAWN	11 JUL 94	CHECK	AK
MAM	11 AUG 04	CHECK	AK
REV	11 AUG 04	CHECK	AK
1	11 AUG 04	CHECK	AK
2	11 AUG 04	CHECK	AK
3	11 AUG 04	CHECK	AK
4	11 AUG 04	CHECK	AK
5	11 AUG 04	CHECK	AK
6	11 AUG 04	CHECK	AK
7	11 AUG 04	CHECK	AK
8	11 AUG 04	CHECK	AK
9	11 AUG 04	CHECK	AK
10	11 AUG 04	CHECK	AK
11	11 AUG 04	CHECK	AK
12	11 AUG 04	CHECK	AK
13	11 AUG 04	CHECK	AK
14	11 AUG 04	CHECK	AK
15	11 AUG 04	CHECK	AK
16	11 AUG 04	CHECK	AK
17	11 AUG 04	CHECK	AK
18	11 AUG 04	CHECK	AK
19	11 AUG 04	CHECK	AK
20	11 AUG 04	CHECK	AK
21	11 AUG 04	CHECK	AK
22	11 AUG 04	CHECK	AK
23	11 AUG 04	CHECK	AK
24	11 AUG 04	CHECK	AK
25	11 AUG 04	CHECK	AK
26	11 AUG 04	CHECK	AK
27	11 AUG 04	CHECK	AK
28	11 AUG 04	CHECK	AK
29	11 AUG 04	CHECK	AK
30	11 AUG 04	CHECK	AK
31	11 AUG 04	CHECK	AK
32	11 AUG 04	CHECK	AK
33	11 AUG 04	CHECK	AK
34	11 AUG 04	CHECK	AK
35	11 AUG 04	CHECK	AK
36	11 AUG 04	CHECK	AK
37	11 AUG 04	CHECK	AK
38	11 AUG 04	CHECK	AK
39	11 AUG 04	CHECK	AK
40	11 AUG 04	CHECK	AK
41	11 AUG 04	CHECK	AK
42	11 AUG 04	CHECK	AK
43	11 AUG 04	CHECK	AK
44	11 AUG 04	CHECK	AK
45	11 AUG 04	CHECK	AK
46	11 AUG 04	CHECK	AK
47	11 AUG 04	CHECK	AK
48	11 AUG 04	CHECK	AK
49	11 AUG 04	CHECK	AK
50	11 AUG 04	CHECK	AK
51	11 AUG 04	CHECK	AK
52	11 AUG 04	CHECK	AK
53	11 AUG 04	CHECK	AK
54	11 AUG 04	CHECK	AK
55	11 AUG 04	CHECK	AK
56	11 AUG 04	CHECK	AK
57	11 AUG 04	CHECK	AK
58	11 AUG 04	CHECK	AK
59	11 AUG 04	CHECK	AK
60	11 AUG 04	CHECK	AK
61	11 AUG 04	CHECK	AK
62	11 AUG 04	CHECK	AK
63	11 AUG 04	CHECK	AK
64	11 AUG 04	CHECK	AK
65	11 AUG 04	CHECK	AK
66	11 AUG 04	CHECK	AK
67	11 AUG 04	CHECK	AK
68	11 AUG 04	CHECK	AK
69	11 AUG 04	CHECK	AK
70	11 AUG 04	CHECK	AK
71	11 AUG 04	CHECK	AK
72	11 AUG 04	CHECK	AK
73	11 AUG 04	CHECK	AK
74	11 AUG 04	CHECK	AK
75	11 AUG 04	CHECK	AK
76	11 AUG 04	CHECK	AK
77	11 AUG 04	CHECK	AK
78	11 AUG 04	CHECK	AK
79	11 AUG 04	CHECK	AK
80	11 AUG 04	CHECK	AK
81	11 AUG 04	CHECK	AK
82	11 AUG 04	CHECK	AK
83	11 AUG 04	CHECK	AK
84	11 AUG 04	CHECK	AK
85	11 AUG 04	CHECK	AK
86	11 AUG 04	CHECK	AK
87	11 AUG 04	CHECK	AK
88	11 AUG 04	CHECK	AK
89	11 AUG 04	CHECK	AK
90	11 AUG 04	CHECK	AK
91	11 AUG 04	CHECK	AK
92	11 AUG 04	CHECK	AK
93	11 AUG 04	CHECK	AK
94	11 AUG 04	CHECK	AK
95	11 AUG 04	CHECK	AK
96	11 AUG 04	CHECK	AK
97	11 AUG 04	CHECK	AK
98	11 AUG 04	CHECK	AK
99	11 AUG 04	CHECK	AK
100	11 AUG 04	CHECK	AK

**SIDE PLUNGER TYPE**  
**DOUBLE POLE**  
**SINGLE POLE**



**TYPE LSF1 and LSF3**  
**TYPE LSF2 and LSF4**  
**TYPE LSE1 and LSE3**  
**TYPE LSE2 and LSE4**  
**TYPE LSW1 and LSW3**  
**TYPE LSW2 and LSW4**



THIS DRAWING COVERS A PROPRIETARY ITEM AND IS THE PROPERTY OF MICRO SWITCH A DIVISION OF HONEYWELL THIS DRAWING IS NOT TO BE COPIED OR USED WITHOUT THE APPROVAL OF MICRO SWITCH

**MICRO SWITCH**  
a Honeywell Division

**SWITCH - ENCLOSED**

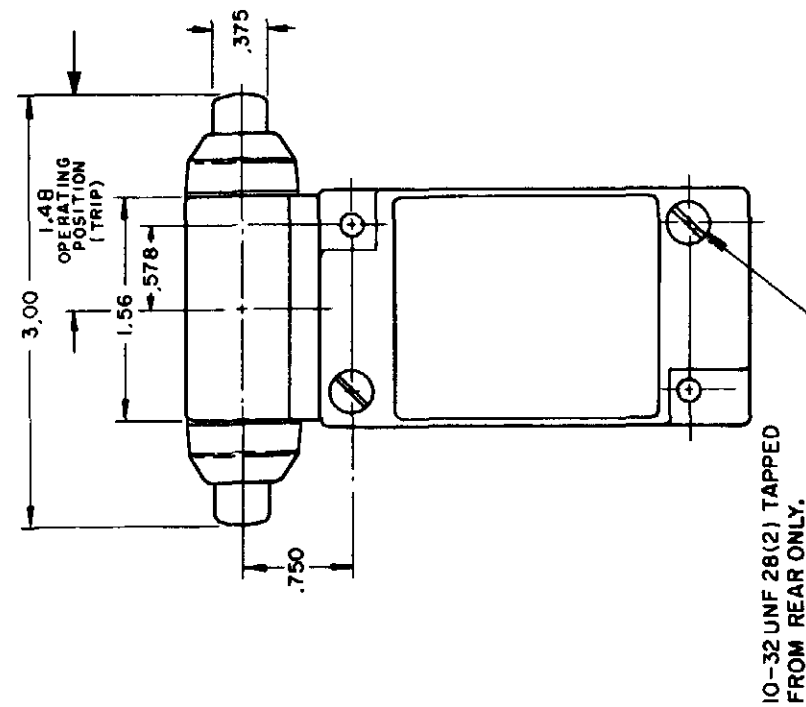
CATALOG LISTING  
**LSA-LSW SERIES**  
**CHART 1**

SCALE NONE  
DO NOT SCALE PRINT

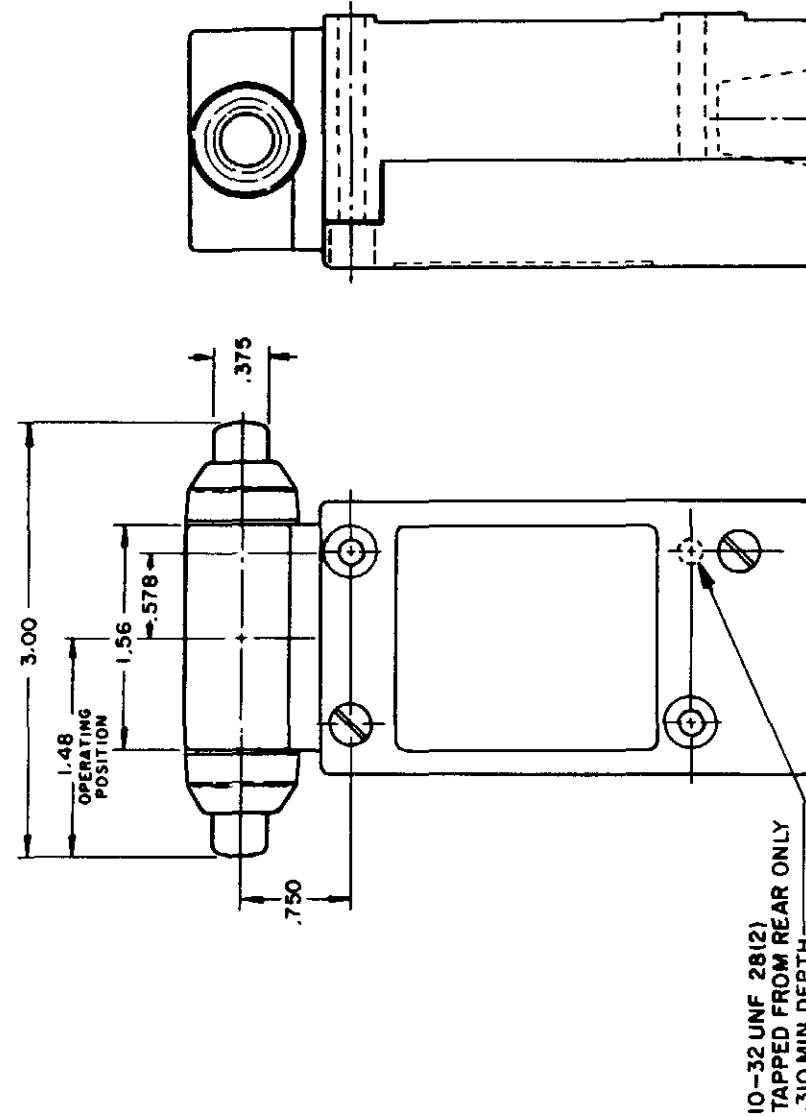
PAGE 5 OF 10

FED MFG CODE 91929

ISSUE 12 PSR 10JUL07 RELEASE NO CO-78498 REPLACES LSA-LSW SERIES  
 CATALOG LISTING  
**M** LSA-LSW SERIES CHART 1  
 PAGE 6 OF 10  
 REVISIONS  
 L 0031956  
 10 JUL 07  
 B 201004  
 C.S.I.  
 C 201748  
 10 AUG 00  
 C.S.I.  
 D 202198  
 17 NOV 00  
 C.S.I.  
 E 204871  
 23 JAN 01  
 C.S.I.  
 F 206581  
 14 OCT 02  
 G 206763  
 31 OCT 02  
 H 207179  
 G.H.  
 J 207474  
 14 JAN 03  
 TSM  
 18 FEB 03  
 K 0006871  
 11AUG04  
 15 JUN 94  
 check JAF  
 11 JUL 94  
 check AK  
 11AUG04  
 check  
 11AUG04  
 check



TYPE LSG1 and LSG3



TYPE LSG2 and LSG4

INITIAL POSITION (FREE POSITION) } PRETRAVEL  
 OPERATING POINT } DIFFERENTIAL TRAVEL  
 FULL TRAVEL } OVERTRAVEL

TOP PLUNGER TYPES

CHARACTERISTICS	LSC PLUNGER		LSD ROLLER PLUNGER		LSV ADJ PLUNGER		SEQUENCE BASIC	
	PRETRAVEL (MAX)	DIFFERENTIAL TRAVEL (MAX)	SINGLE POLE	DOUBLE POLE	SINGLE POLE	DOUBLE POLE	1ST STEP	2ND STEP
PRETRAVEL (MAX)	.070	.070	.070	.070	.070	.070	.070	.070
DIFFERENTIAL TRAVEL (MAX)	.015	.020	.015	.020	.015	.020	.015	.020
OVERTRAVEL (MIN)	.190	.190	.190	.190	.190	.190	.170	.170
OPERATING FORCE (MAX)	4 LBS	4 LBS	4 LBS	4 LBS	4 LBS	4 LBS	4 LBS	4 LBS
OPERATING POINT	1.805 ± .030	2.200 ± .040	2.085 MIN	2.335 MAX	2.085 MIN	2.335 MAX	1.815 ± .030	2.210 ± .040
FULL OVERTRAVEL FORCE (MAX)	7 LBS	7 LBS	7 LBS	7 LBS	7 LBS	7 LBS	7 LBS	7 LBS

SIDE PLUNGER TYPES

CHARACTERISTICS	LSE PLUNGER		LSF ROLLER PLUNGER		LSW ADJ PLUNGER		SEQUENCE BASIC	
	PRETRAVEL (MAX)	DIFFERENTIAL TRAVEL (MAX)	SINGLE POLE	DOUBLE POLE	SINGLE POLE	DOUBLE POLE	1ST STEP	2ND STEP
PRETRAVEL (MAX)	.100	.100	.100	.100	.170	.170	.100	.100
DIFFERENTIAL TRAVEL (MAX)	.045	.045	.045	.045	.090	.090	.020	.020
OVERTRAVEL (MIN)	.190	.190	.190	.190	.080	.080	.170	.170
OPERATING FORCE (MAX)	6 LBS	6 LBS	6 LBS	6 LBS	10 LBS	10 LBS	6 LBS	6 LBS
OPERATING POINT	1.300 ± .030	1.735 ± .040	ADJUSTABLE FROM	ADJUSTABLE FROM	1.480 ± .030	1.480 ± .030	1.310 ± .030	1.745 ± .040
FULL OVERTRAVEL FORCE (MAX)	6 LBS	6 LBS	6 LBS	6 LBS	10 LBS	10 LBS	6 LBS	6 LBS

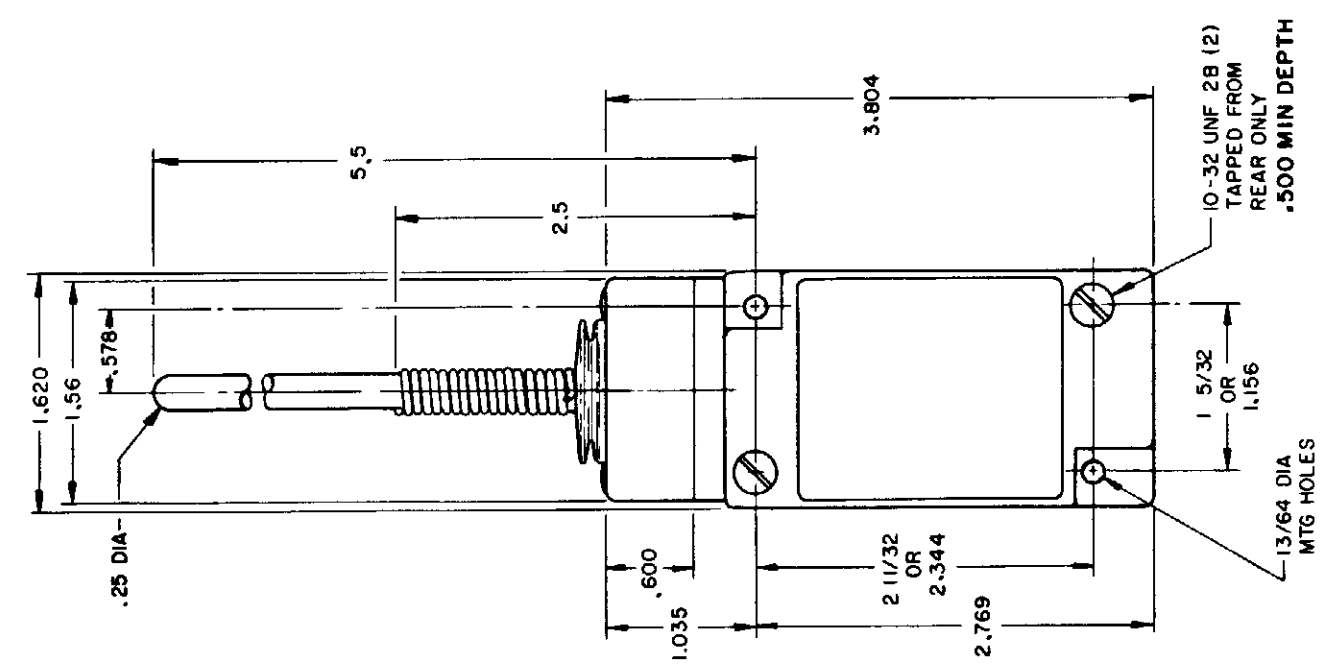
MICRO SWITCH a Honeywell Division  
 SWITCH - ENCLOSED  
 LSA-LSW SERIES CHART 1  
 THIS DRAWING COVERS A PROPRIETARY ITEM AND IS THE PROPERTY OF MICRO SWITCH, A DIVISION OF HONEYWELL. THIS DRAWING IS NOT TO BE COPIED OR USED WITHOUT THE APPROVAL OF MICRO SWITCH.  
 SCALE NONE  
 DO NOT SCALE PRINT  
 DIMENSIONS ARE IN INCHES  
 TOLERANCES  
 ONE PLACE (.0)  
 TWO PLACE (.00)  
 THREE PLACE (.000)  
 ANGLES  
 WEIGHT  
 PAGE 6 OF 10



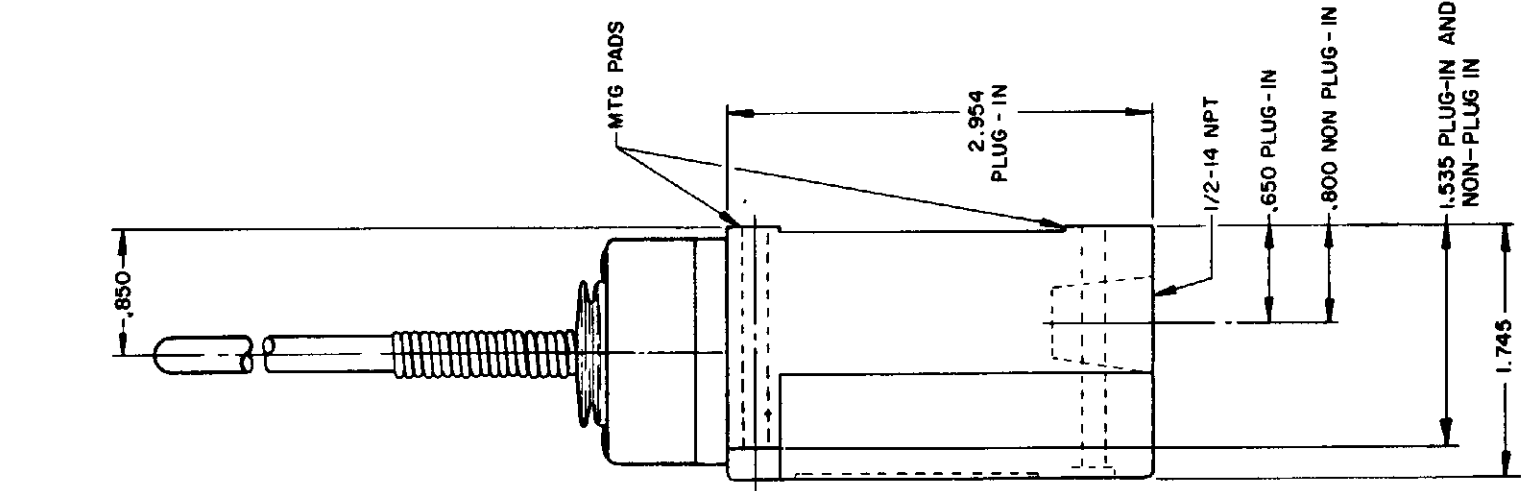
**WOBBLE STICK**

**SINGLE POLE**

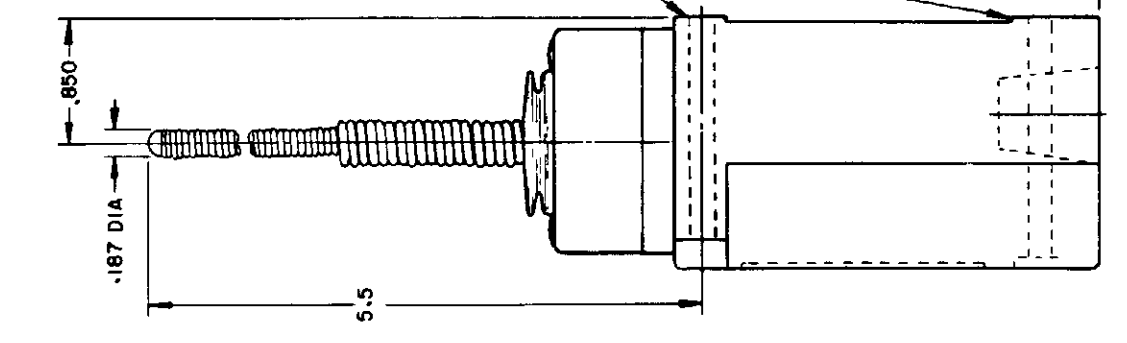
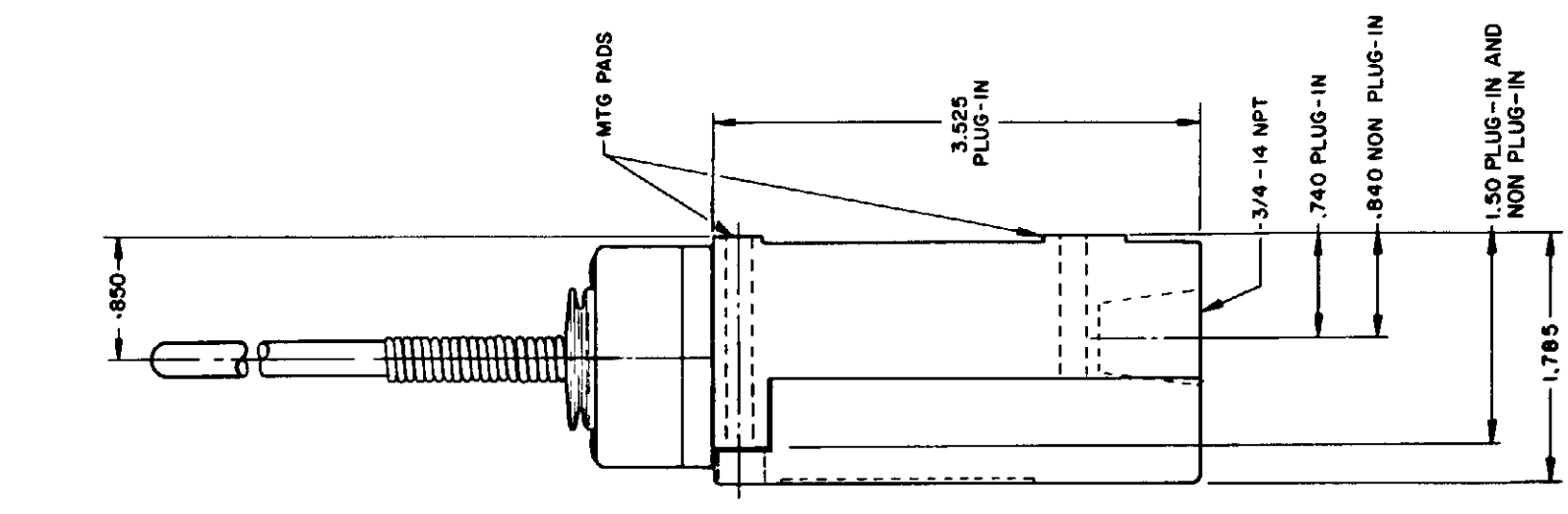
**DOUBLE POLE**



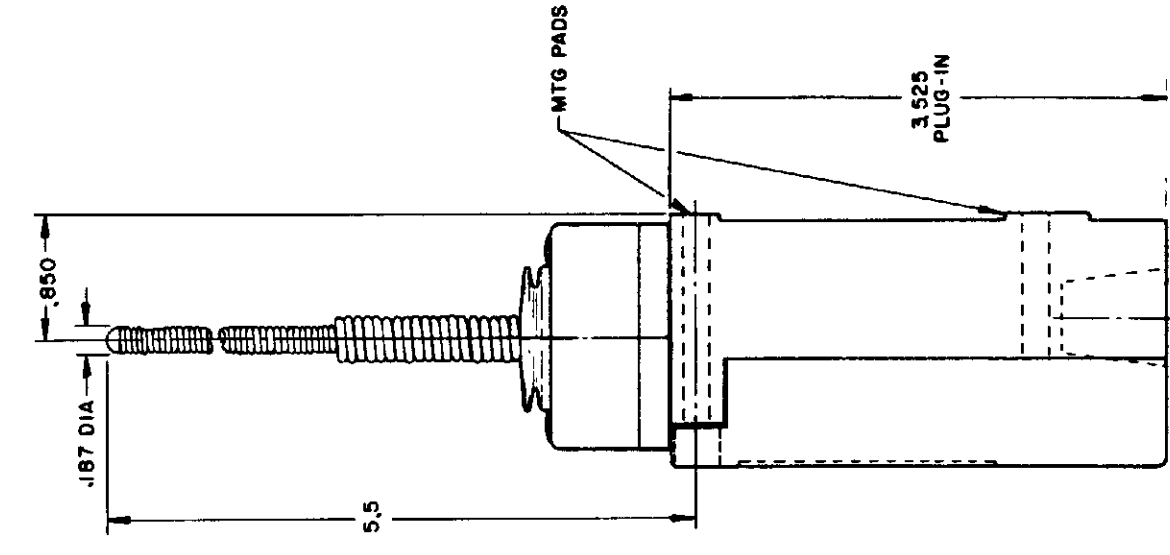
**PLASTIC EXTENSION  
TYPE 7A ACTUATOR  
TYPE LSJ1 AND LSJ3**



**PLASTIC EXTENSION  
TYPE 7A ACTUATOR  
TYPE LSJ2 AND LSJ4  
LSJ6 AND LSJ7 HAVE  
1/2 - 14 NPT CONDUIT HOLE**

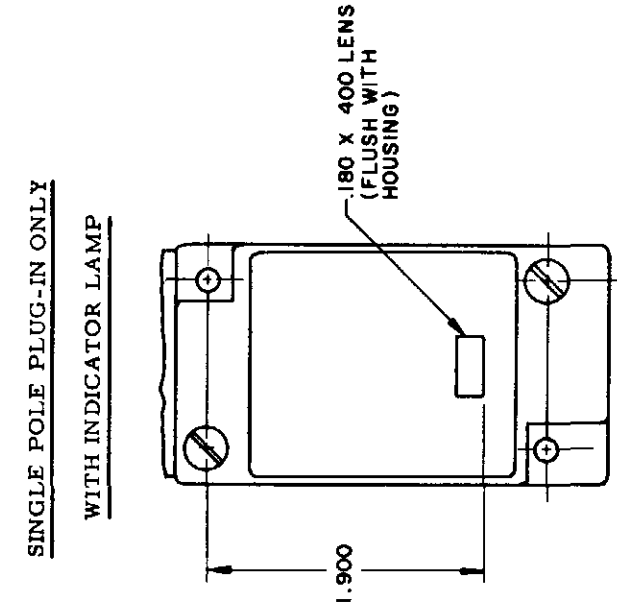


**REPLACEMENT ACTUATOR  
LSZ-4009**

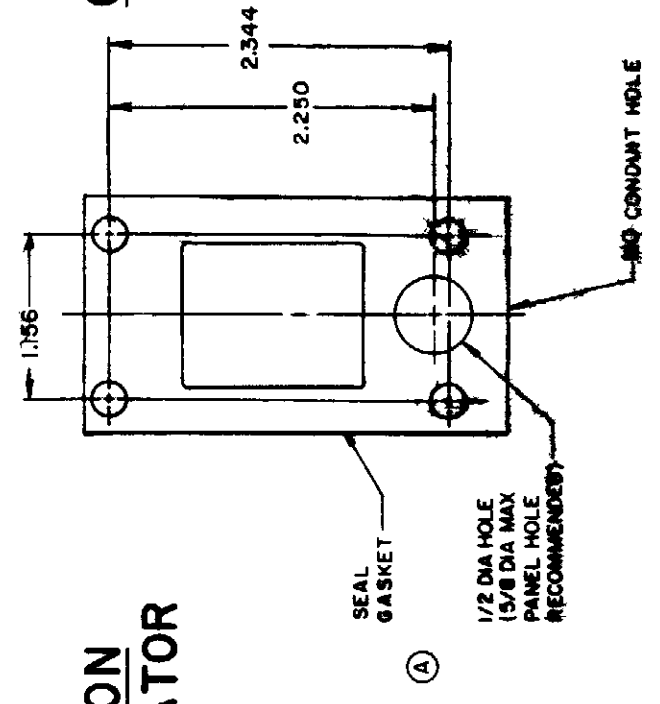


**CABLE EXTENSION  
TYPE 7N ACTUATOR**

**CABLE EXTENSION  
TYPE 7N ACTUATOR**



**120 LAMP VOLTAGE TYPE LSJ5  
240 LAMP VOLTAGE TYPE LSJ8  
24 LED VOLTAGE TYPE LSJ9**



**MANIFOLD MOUNT (PLUG-IN ONLY)  
SINGLE POLE AND DOUBLE POLE  
TYPE LSA THROUGH LSW SERIES**

**REPLACEMENT ACTUATOR  
LSZ-4011**





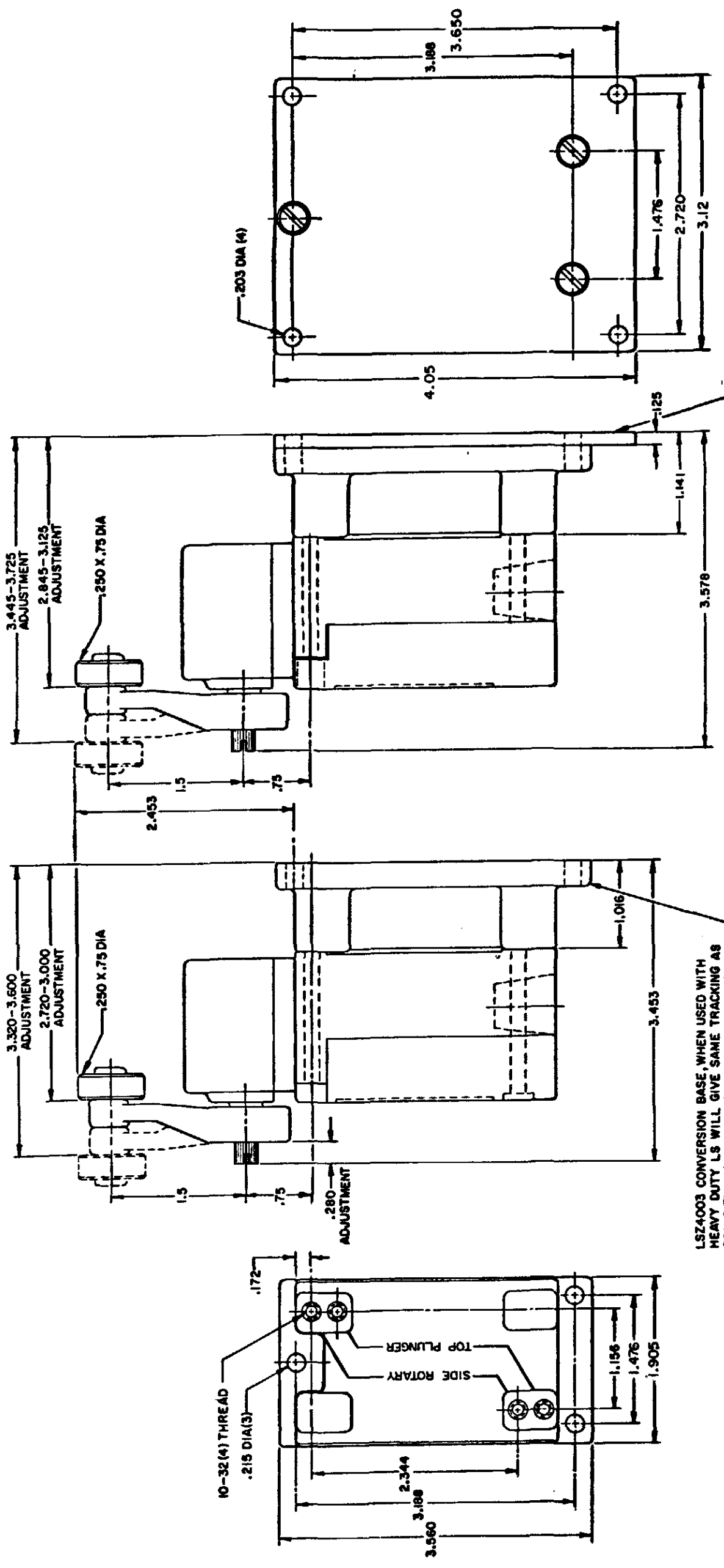
CONVERSION BASES

SINGLE POLE (SIDE ROTARY) LSZ 4003

DOUBLE POLE (SIDE ROTARY) LSZ 4004

ISSUE	12	PSR	10JUL07	RELEASE NO	CO-78498	REPLACES	LSA-LSW SERIES
CATALOG LISTING	LSA-LSW SERIES CHART 1						
PAGE 9 OF 10							

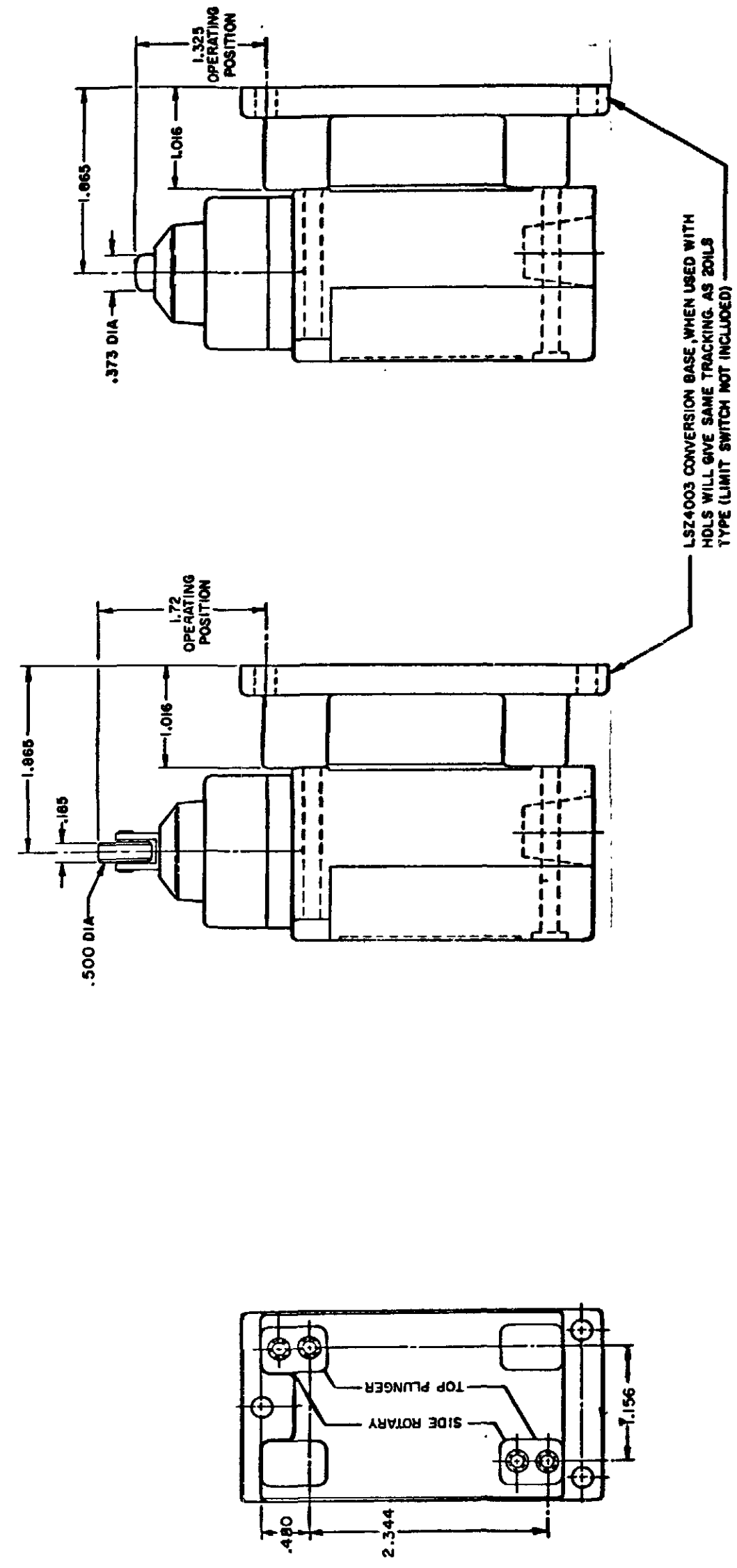
REVISIONS	L	0031956	BS	10JUL07
	B	201004	CS	10AUG00
	C	201748	CS	23JAN01
	D	202198	CS	17NOV00
	E	204871	CS	204871
	F	206581	CS	11JUL94
	G	206763	CS	14OCT02
	H	207179	CS	31OCT02
	J	207474	CS	14JAN03
	K	0006871	CS	18FEB03
	KR	11AUG04	CS	15JUN94



LSZ4004 (FURNISHED ASSEMBLED) CONVERSION BASE, WHEN USED WITH HOLDS WILL GIVE SAME TRACKING AS 301LS TYPE (LIMIT SWITCH NOT INCLUDED)

LSZ4003 CONVERSION BASE WHEN USED WITH HEAVY DUTY LS WILL GIVE SAME TRACKING AS 201LS TYPE (LIMIT SWITCH NOT INCLUDED)

SINGLE POLE TOP PLUNGER LSZ4003



NOTE SEE OTHER PAGES OF LSA-LSW (M) DRAWING FOR DIMENSION OF LIMIT SWITCH

NOTE SEE OTHER PAGES OF LSA-LSW (M) DRAWING FOR DIMENSION OF LIMITS

THIS DRAWING COVERS A PROPRIETARY ITEM AND IS THE PROPERTY OF MICRO SWITCH, A DIVISION OF HONEYWELL. THIS DRAWING IS NOT TO BE COPIED OR USED WITHOUT THE APPROVAL OF MICRO SWITCH.

**MICRO SWITCH**  
a Honeywell Division

SWITCH - ENCLOSED

CATALOG LISTING  
**LSA-LSW SERIES**  
CHART 1

SCALE FULL  
DO NOT SCALE PRINT

PAGE 9 OF 10

HEAD TYPE	CELLULUBE	DETERGENT	5 STAR	ASTM #1	ASTM #2	ASTM #3	ASTM #4	HOUGHTON SAFE 271	HOUGHTON SAFE 820	HOUGHTON SAFE 1010, 1055	MINERAL OIL	PETR. OIL CRUDE	SILICON GR & OIL	SUNSAFE	BEER	STODDARD SOLV.	CHLORINATED SOLVENTS	CITRIC ACID	D-ESTER SYN. LUBRICANTS	OZONE	HYDRAUL	PROGUARD	PETRO. BASE HYDRAULIC OIL	LARD OIL	SILICATE ESTERS
LSA	4	1	1	1	1	2	1	4	1	1	1	1	1	1	4	1	2	4	4	4	4	1	1	2	
LSB	4	1	1	1	1	2	1	4	1	1	1	1	1	1	4	1	2	4	4	4	4	1	1	2	
LSC	4	2	2	1	2	4	4	2	4	2	2	1	2	1	2	4	1	4	3	4	4	2	2	2	
LSD	4	2	2	1	2	4	4	2	4	2	2	1	2	1	2	4	1	4	3	4	4	2	2	2	
LSE	4	2	2	1	2	4	4	2	4	2	2	1	2	1	2	4	1	4	3	4	4	2	2	2	
LSF	4	2	2	1	2	4	4	2	4	2	2	1	2	1	2	4	1	4	2	4	4	2	2	2	
LSG	4	2	2	1	2	4	4	2	4	2	2	1	2	1	2	4	1	4	3	4	4	2	2	2	
LSH	4	1	1	1	1	2	1	4	1	1	1	1	1	1	4	1	2	4	4	4	4	1	1	2	
LSJ	4	2	2	1	2	4	4	2	4	2	2	1	2	1	2	4	1	4	3	4	4	2	2	2	
LSK	4	2	2	1	2	4	4	2	4	2	2	1	2	1	2	4	1	4	3	4	4	2	2	2	
LSL	4	1	1	1	1	2	1	4	1	1	1	1	1	1	4	1	2	4	4	4	4	1	1	2	
LSM	4	1	1	1	1	2	1	4	1	1	1	1	1	1	4	1	2	4	4	4	4	1	1	2	
LSN	4	1	1	1	1	2	1	4	1	1	1	1	1	1	4	1	2	4	4	4	4	1	1	2	
LSP	4	1	1	1	1	2	1	4	1	1	1	1	1	1	4	1	2	4	4	4	4	1	1	2	
LSR	4	1	1	1	1	2	1	4	1	1	1	1	1	1	4	1	2	4	4	4	4	1	1	2	
LSV	4	2	2	1	2	4	4	2	4	2	2	1	2	1	2	4	1	4	3	4	4	2	2	2	
LSW	4	2	2	1	2	4	4	2	4	2	2	1	2	1	2	4	1	4	2	4	4	2	2	2	
LST	UNSEALED DEVICE, INTENDED TO MEET NEMA 1 ONLY																								
LSS	UNSEALED DEVICE, INTENDED TO MEET NEMA 1 ONLY																								

CODE: 1 SATISFACTORY 2 FAIR 3 DOUBTFUL 4 UNSATISFACTORY

TEMPERATURE LIMITATIONS FOR STANDARD DEVICES		
TYPES	LOW LIMIT	HIGH LIMIT
LSA	+10°F	+250°F
LSB	+30°F	+250°F
LSC	+10°F	+200°F
LSD	+10°F	+200°F
LSE	+10°F	+200°F
LSF	+10°F	+200°F
LSG	+30°F	+200°F
LSH	+30°F	+250°F
LSJ	+10°F	+200°F
LSK	+10°F	+200°F
LSL	+10°F	+250°F
LSM	+30°F	+250°F
LSN	+30°F	+250°F
LSP	+10°F	+250°F
LSR	+30°F	+250°F
LSV	+10°F	+200°F
LSW	+10°F	+200°F
LST	+30 F	+170°F
LSS	+30°F	+170°F

CATALOG LISTING  
**M** LSA-LSW SERIES CHART 1  
 PAGE 10 OF 10  
 ISSUE 12  
 PSR 10JUL07  
 CHECK 11AUG04  
 REVISIONS:  
 L 0031956 BS 10JUL07  
 B 201004 CS 10 AUG 00  
 C 201748 CS 17 NOV 00  
 D 202198 CS 23 JAN 01  
 E 204871 G J W FEB 02  
 F 206581 GLH 14 OCT 02  
 G 206783 CS 31 OCT 02  
 H 207179 GLH 14 JAN 03  
 J 207474 TSM 18 FEB 03  
 K 0006871 KR 11AUG04  
 DRAWN MAM 15 JUN 94  
 CHECK JAF 11 JUL 94  
 RASTER

THIS DRAWING COVERS A PROPRIETARY ITEM AND IS THE PROPERTY OF MICRO SWITCH A DIVISION OF HONEYWELL THIS DRAWING IS NOT TO BE COPIED OR USED WITHOUT THE APPROVAL OF MICRO SWITCH

**MICRO SWITCH**  
a Honeywell Division

SWITCH - ENCLOSED

LSA-LSW SERIES  
CHART 1

FED. MFG. CODE 91929



Компания «ЭлектроПласт» предлагает заключение долгосрочных отношений при поставках импортных электронных компонентов на взаимовыгодных условиях!

Наши преимущества:

- Оперативные поставки широкого спектра электронных компонентов отечественного и импортного производства напрямую от производителей и с крупнейших мировых складов;
- Поставка более 17-ти миллионов наименований электронных компонентов;
- Поставка сложных, дефицитных, либо снятых с производства позиций;
- Оперативные сроки поставки под заказ (от 5 рабочих дней);
- Экспресс доставка в любую точку России;
- Техническая поддержка проекта, помощь в подборе аналогов, поставка прототипов;
- Система менеджмента качества сертифицирована по Международному стандарту ISO 9001;
- Лицензия ФСБ на осуществление работ с использованием сведений, составляющих государственную тайну;
- Поставка специализированных компонентов (Xilinx, Altera, Analog Devices, Intersil, Interpoint, Microsemi, Aeroflex, Peregrine, Syfer, Eurofarad, Texas Instrument, Miteq, Cobham, E2V, MA-COM, Hittite, Mini-Circuits, General Dynamics и др.);

Помимо этого, одним из направлений компании «ЭлектроПласт» является направление «Источники питания». Мы предлагаем Вам помощь Конструкторского отдела:

- Подбор оптимального решения, техническое обоснование при выборе компонента;
- Подбор аналогов;
- Консультации по применению компонента;
- Поставка образцов и прототипов;
- Техническая поддержка проекта;
- Защита от снятия компонента с производства.



#### Как с нами связаться

**Телефон:** 8 (812) 309 58 32 (многоканальный)

**Факс:** 8 (812) 320-02-42

**Электронная почта:** [org@eplast1.ru](mailto:org@eplast1.ru)

**Адрес:** 198099, г. Санкт-Петербург, ул. Калинина, дом 2, корпус 4, литера А.