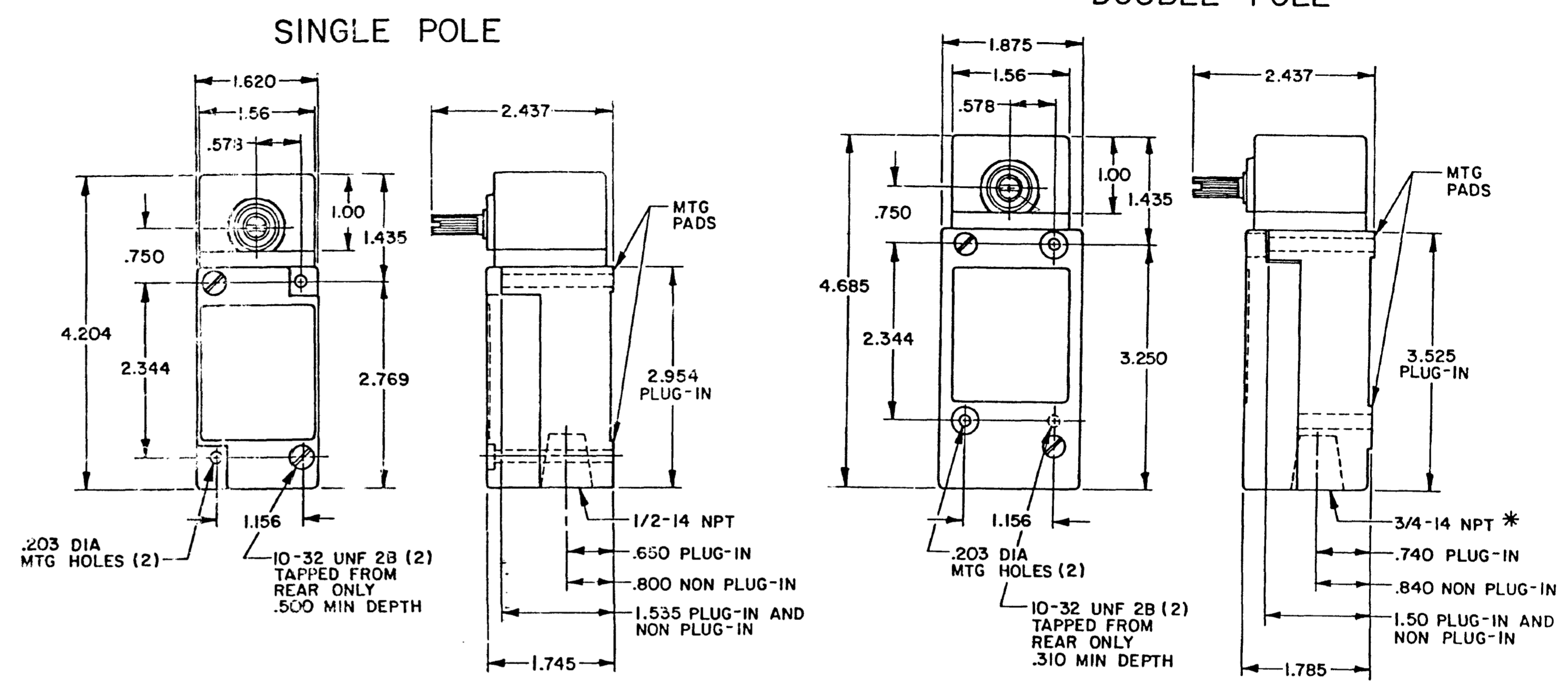


OPERATING CHARACTERISTICS	LSA		LSR		LSN	LSP		LSH	
	MOMENTARY		MOMENTARY LOW TORQUE		MAINTAINED	MOMENTARY LOW PRETRAVEL AND DIFF. TRAVEL		MOMENTARY LOW PRETRAVEL AND LOW TORQUE	
PRETRAVEL(MAX)	15°		15°		15°	9°		9°	
OVERTRAVEL(MIN)	60°		60°		20°	66°		66°	
DIFFERENTIAL TRAVEL(MAX)	SINGLE POLE	DOUBLE POLE	SINGLE POLE	DOUBLE POLE	40°	SINGLE POLE	DOUBLE POLE	SINGLE POLE	DOUBLE POLE
	5°	7°	5°	7°		3°	4°	3°	4°
TOTAL TRAVEL (REF)	75°		75°		90°	75°		75°	
OPERATING TORQUE(MAX)	4 IN. LBS		1.7 IN. LBS		4 IN. LBS	4 IN. LBS		1.7 IN. LBS	
FULL TRAVEL TORQUE(MAX)	4 IN. LBS		1.7 IN. LBS			4 IN. LBS		1.7 IN. LBS	
OPERATING CHARACTERISTICS	LSU		LSL	LSM	LST	LSS			
	LOW PRETRAVEL		SEQUENCE DOUBLE POLE ONLY	CENTER NEUTRAL DOUBLE POLE ONLY	MOMENTARY	GRAVITY RETURN			
PRETRAVEL(MAX)	5°		1ST STEP 15°	18°	15°	NOT APPLICABLE			
OVERTRAVEL(MIN)	70°		2ND STEP 10° ADD'L	57°	60°	NOT APPLICABLE			
DIFFERENTIAL TRAVEL(MAX)	SINGLE POLE	DOUBLE POLE	5°	10°	5°	12°			
	5°	4°							
TOTAL TRAVEL (REF)	75°		75°	75°	75°	360°			
OPERATING TORQUE(MAX)	4 IN. LBS		4 IN. LBS	4 IN. LBS	12 IN-OZ	5 IN-OZ			
FULL TRAVEL TORQUE(MAX)	4 IN. LBS		4 IN. LBS	4 IN. LBS	12 IN-OZ	5 IN-OZ			

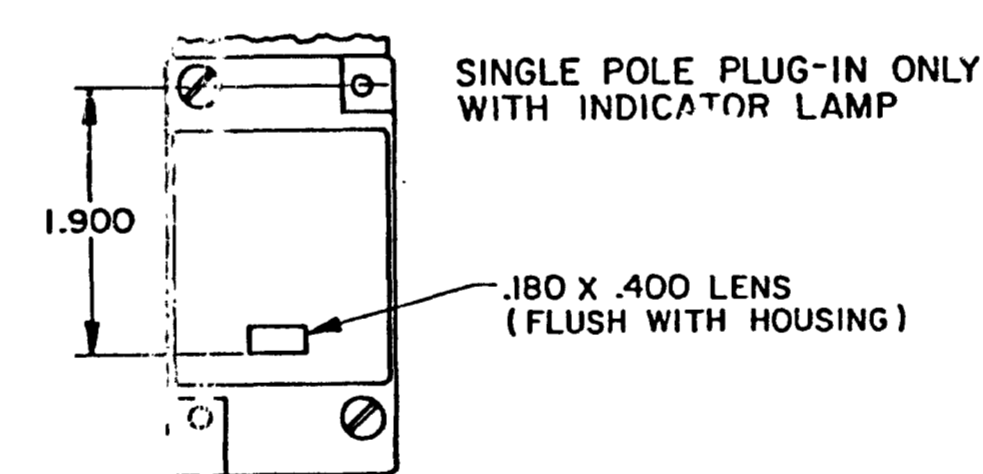
**SIDE ROTARY**



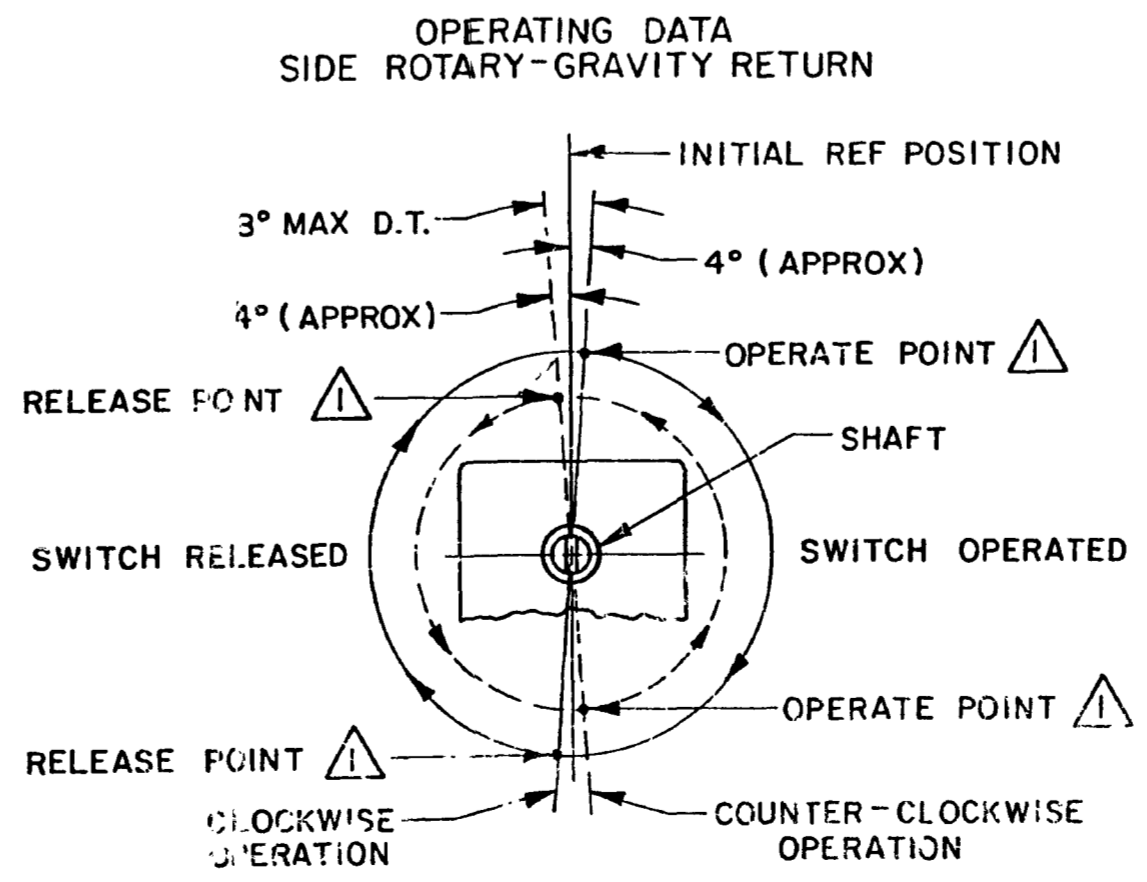
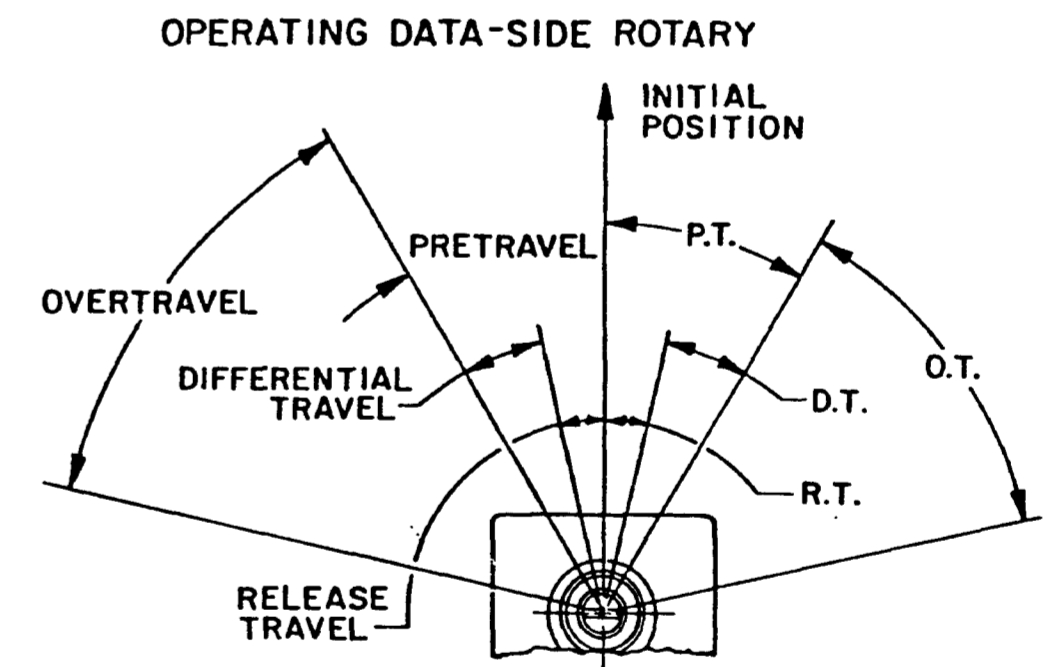
TYPE: LSA1, LSH1, LSN1, LSP1, LSR1  
LSA3, LSH3, LSN3, LSP3, LSR3  
LSS1, LST1

TYPE: LSA2, LSH2, LSM2, LSN2, LSP2, LSR2  
LSA4, LSH4, LSM4, LSN4, LSP4, LSR4

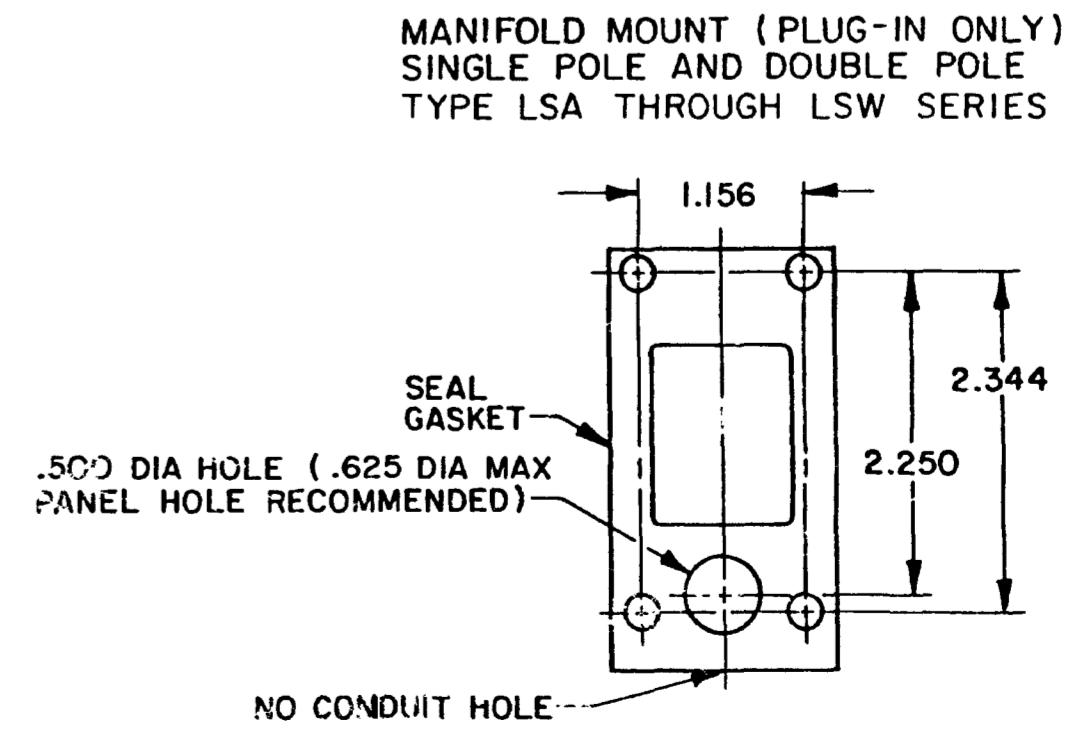
\*LSA6, LSH6, LSM6, LSN6, LSP6, LSR6  
LSA7, LSH7, LSM7, LSN7, LSP7, LSR7 HAVE  
1/2-14 NPT CONDUIT HOLE



120 LAMP VOLTAGE -  
TYPE LSA5, LSH5, LSN5, LSP5, LSR5  
240 LAMP VOLTAGE -  
TYPE LSA8, LSH8, LSN8, LSP8, LSR8



NOTE  
△ OPERATE AND RELEASE POINTS WILL EXCHANGE LOCATIONS IF SHAFT IS ROTATED 180°



THIRD ANGLE PROJECTION
SCALE NONE
DO NOT SCALE PRINT
UNLESS OTHERWISE SPECIFIED TOLERANCES ARE
ONE PLACE (.0) ±.030
TWO PLACES (.00) ±.015
THREE PLACES (.000) ±.005
ANGLES ±
WEIGHT

THIS DRAWING COVERS A PROPRIETARY ITEM AND IS THE PROPERTY OF MICRO SWITCH A DIVISION OF HONEYWELL THIS DRAWING IS NOT TO BE COPIED OR USED WITHOUT THE APPROVAL OF MICRO SWITCH

**MICRO SWITCH**  
a Honeywell Division

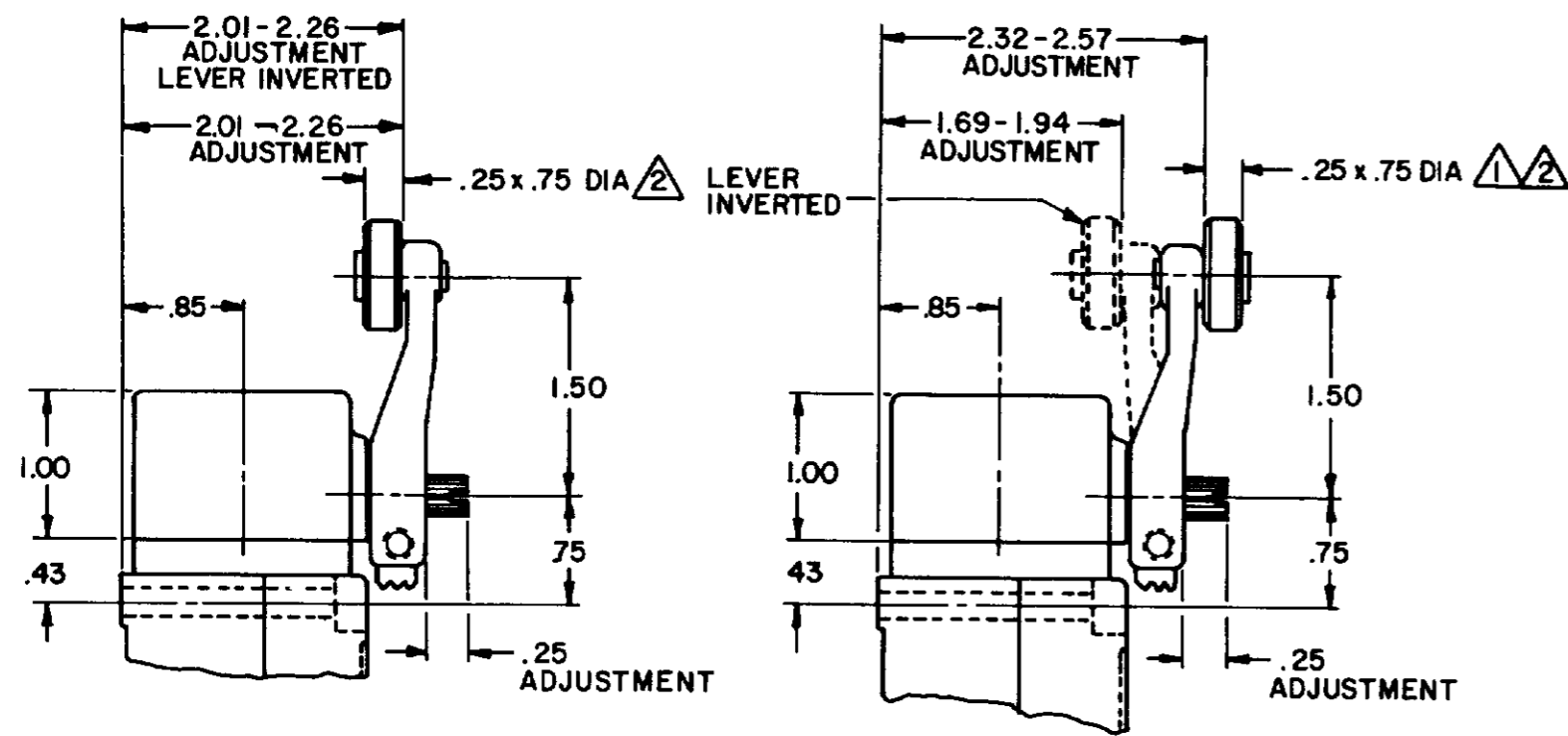
SWITCH - ENCLOSED

LSA-LSW SERIES CHART 1

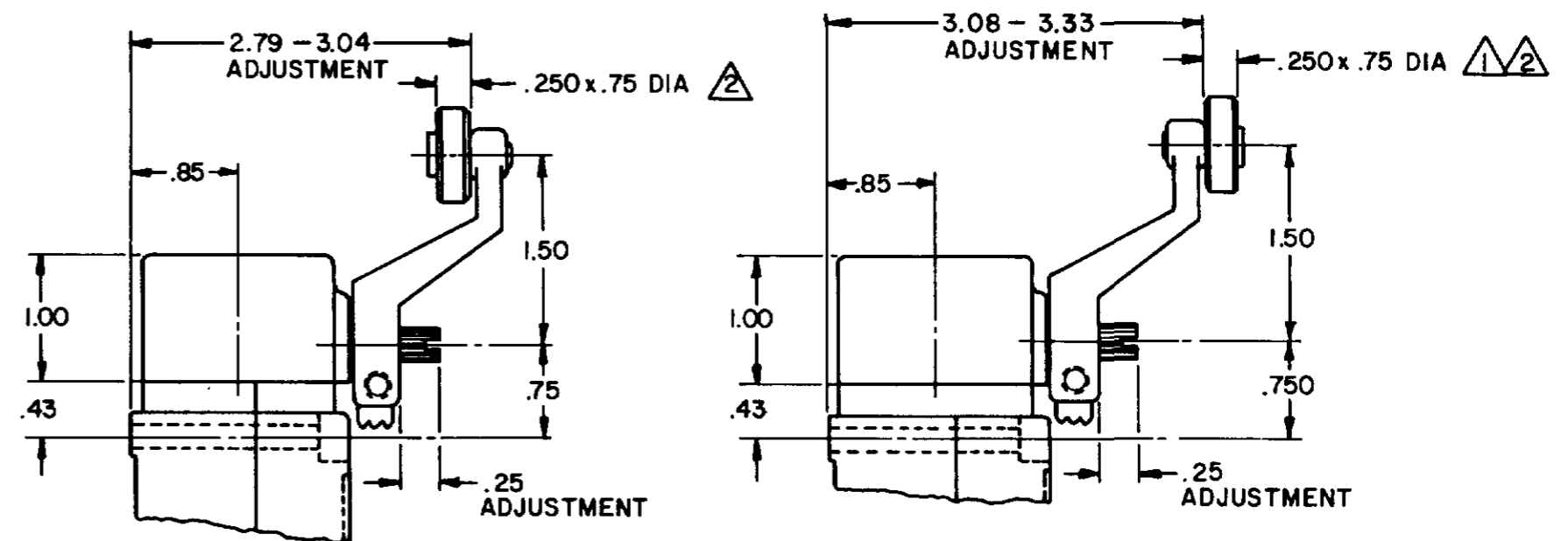
FED. MFG. CODE 91929

CATALOG LISTING LSA-LSW SERIES CHART 1  
PAGE 1 OF 10  
PSR 10JUL07 RELEASE NO CO-78498  
REV. 12  
MAM 15 JUN 94  
11AUG04  
11 JUL 94  
11 JUN 94

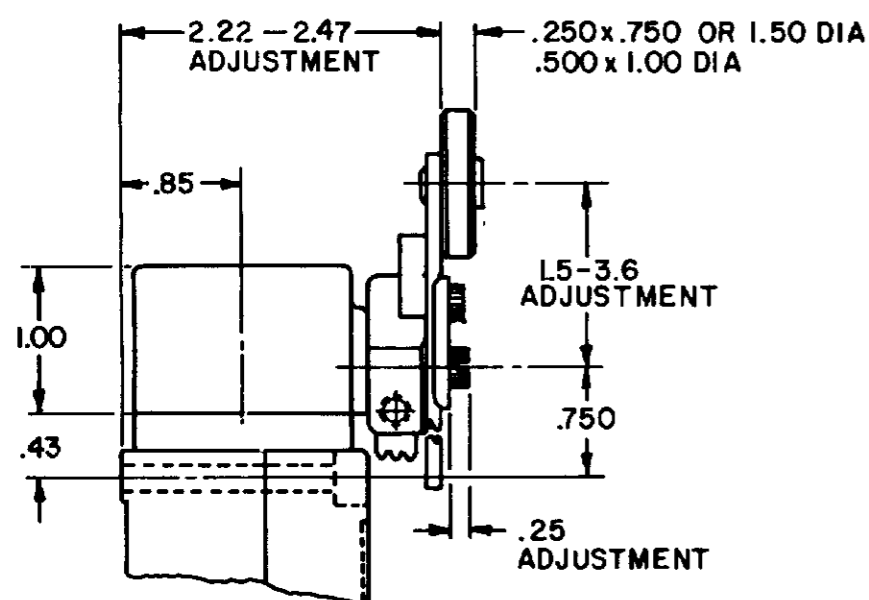
SIDE ROTARY CAM TRACKING



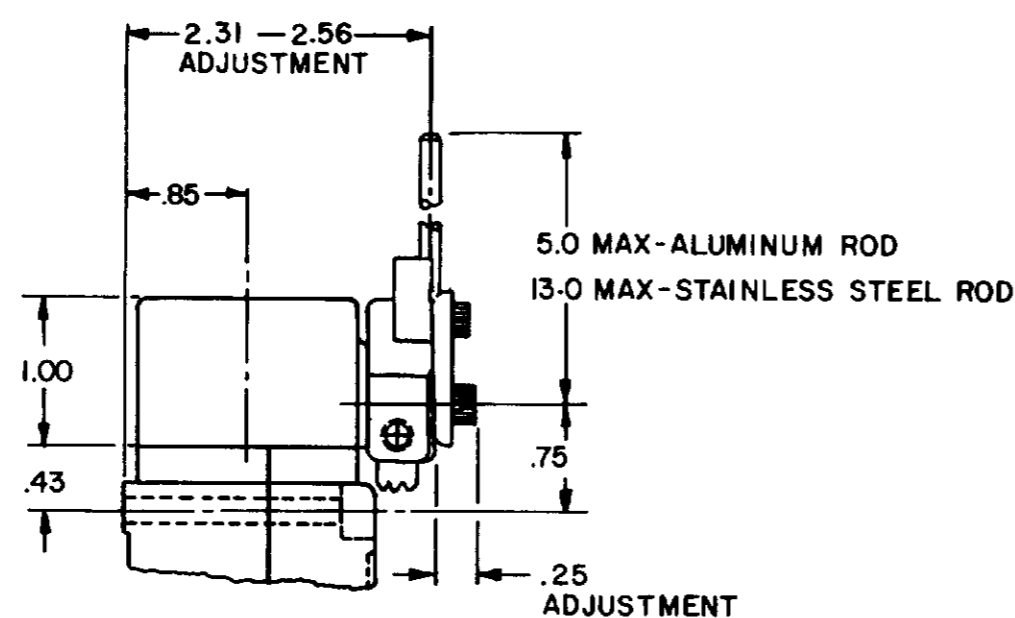
LSZ51 TYPE LEVERS



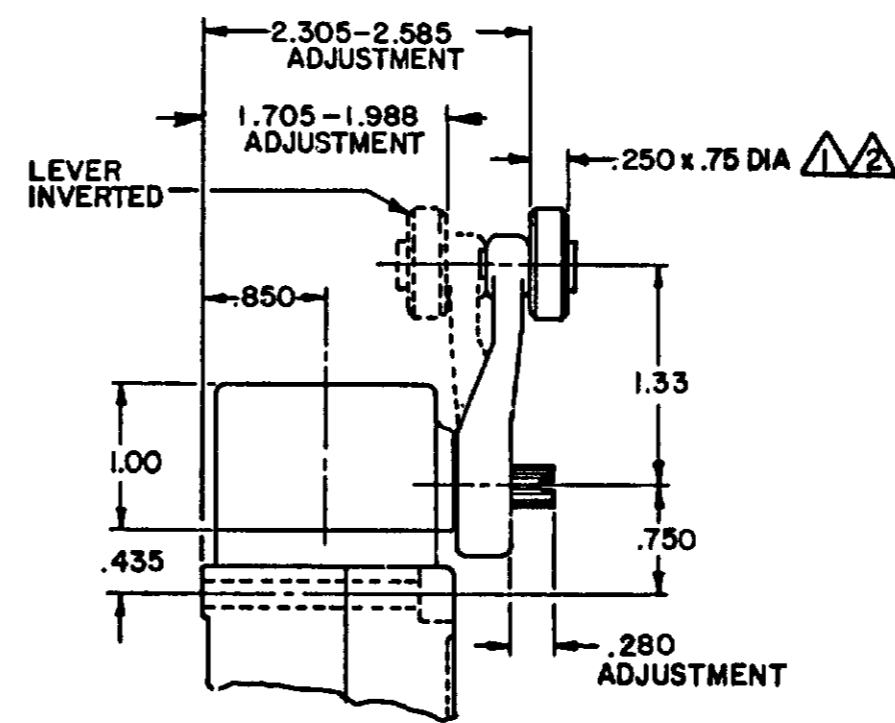
LSZ55 TYPE LEVERS



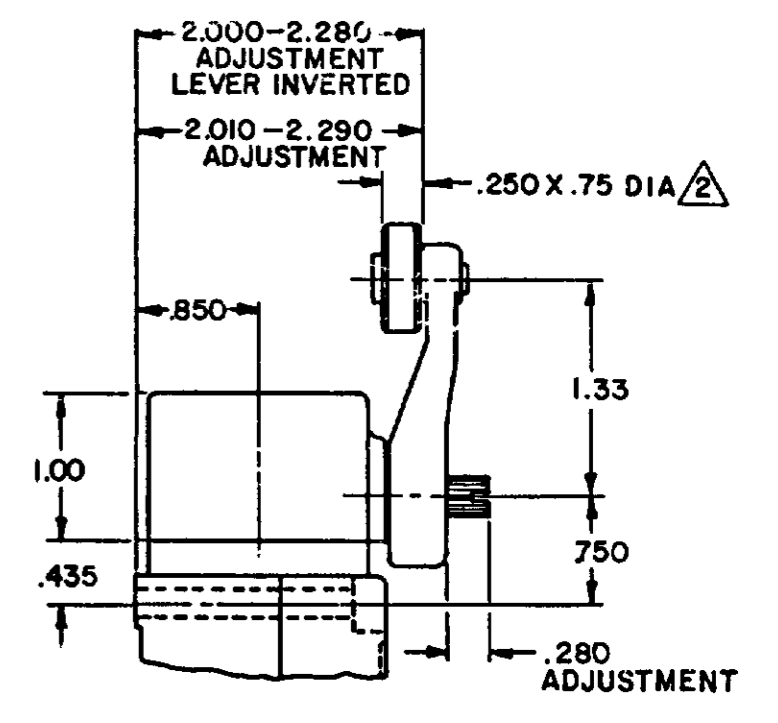
LSZ52 TYPE LEVER



LSZ54 TYPE LEVER



OPEN MOUNTED ROLLER



CLOSED MOUNTED ROLLER

LSZ59 TYPE LEVERS

NOTES

- 1 ALSO AVAILABLE IN Ø.250 X 1.500 NYLON, BUT LEVER CANNOT BE INVERTED
- 2 FOR ADDITIONAL ROLLER WIDTHS AND/OR DIAMETERS REFER TO "M" DRAWING
- 3 - FOR ADDITIONAL TYPES OF ROLLERS AND LEVERS REFER TO LSZ CHART 1 "M" DRAWING

CATALOG LISTING LSA-LSW SERIES CHART 1 PAGE 2 OF 10  
 ISSUE 12  
 REVISIONS  
 L 0031956  
 BS 10 JUL 07  
 B 201004  
 C SL 10 AUG 00  
 C 201748  
 C SL 17 NOV 00  
 D 202198  
 C SL 23 JAN 01  
 E 204871  
 C SL FEB 02  
 F 206581  
 GLH 14 OCT 02  
 G 206763  
 C SL 31 OCT 02  
 H 207179  
 GLH 14 JAN 03  
 J 207474  
 SLH 18 FEB 03  
 K 0006871  
 RR 118004  
 DRAWN MAM 15 JUN 94  
 CHECK JAF 11 JUL 94  
 PSR 10 JUL 07  
 RELEASE NO. CO-78498  
 REPLACES LSA-LSW SERIES

THIS DRAWING COVERS A PROPRIETARY ITEM AND IS THE PROPERTY OF MICRO SWITCH, A DIVISION OF HONEYWELL. THIS DRAWING IS NOT TO BE COPIED OR USED WITHOUT THE APPROVAL OF MICRO SWITCH. <b>MICRO SWITCH</b> a Honeywell Division FED MFG CODE 91929		SWITCH - ENCLOSED LSA-LSW SERIES CHART 1	THIRD ANGLE PROJECTION SCALE NONE DO NOT SCALE PRINT UNLESS OTHERWISE SPECIFIED TOLERANCES ARE: ONE PLACE (0) ±.030 TWO PLACES (.00) ±.015 THREE PLACES (.000) ±.005 ANGLES ± WEIGHT
--	--	--	--

ISSUE 12 PSR 10JUL07 RELEASE NO CO-78498 REPLACES LSA-LSW SERIES

CATALOG LISTING  
**M** LSA-LSW SERIES CHART 1  
PAGE 3 OF 10

REV. SIONS  
L 0031958  
M 1 JUL 07  
B 201004  
C 201748  
D 202198  
E 204871  
F 206581  
G 206763  
H 207179  
J 207474  
K 0006871

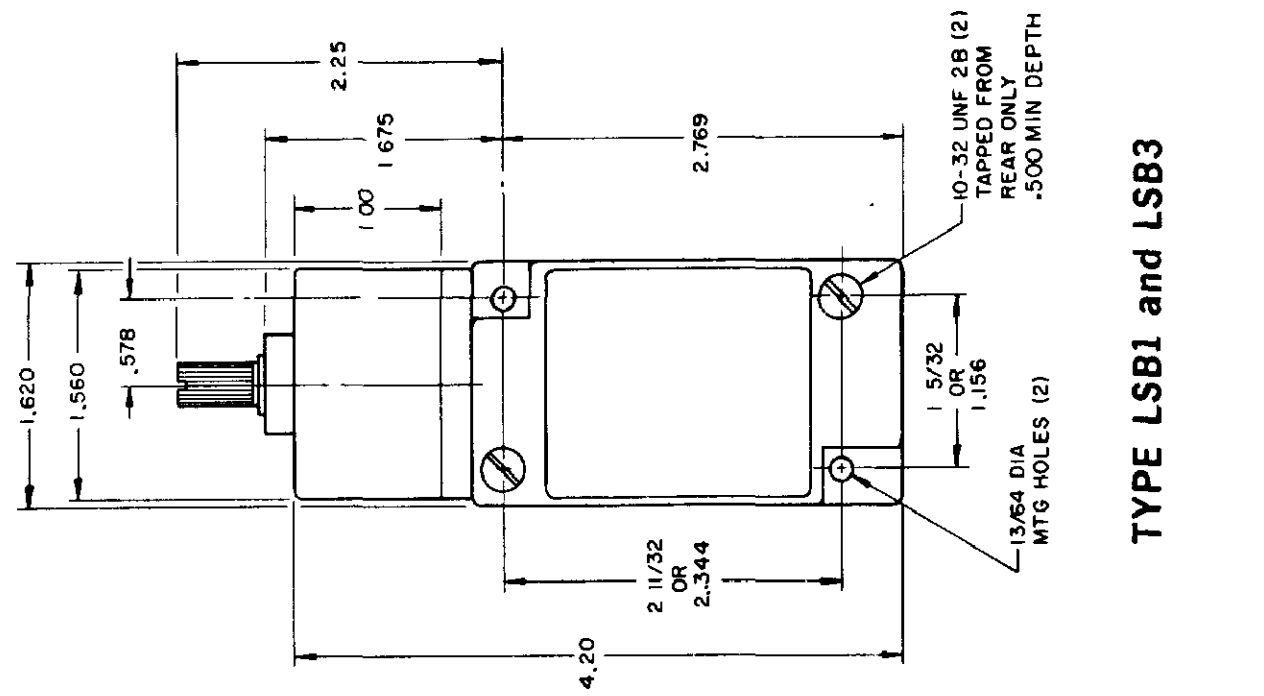
CHECK 11AUG04  
CHECK 1 JUL 94  
CHECK JAF

MAM 15 JUN 94

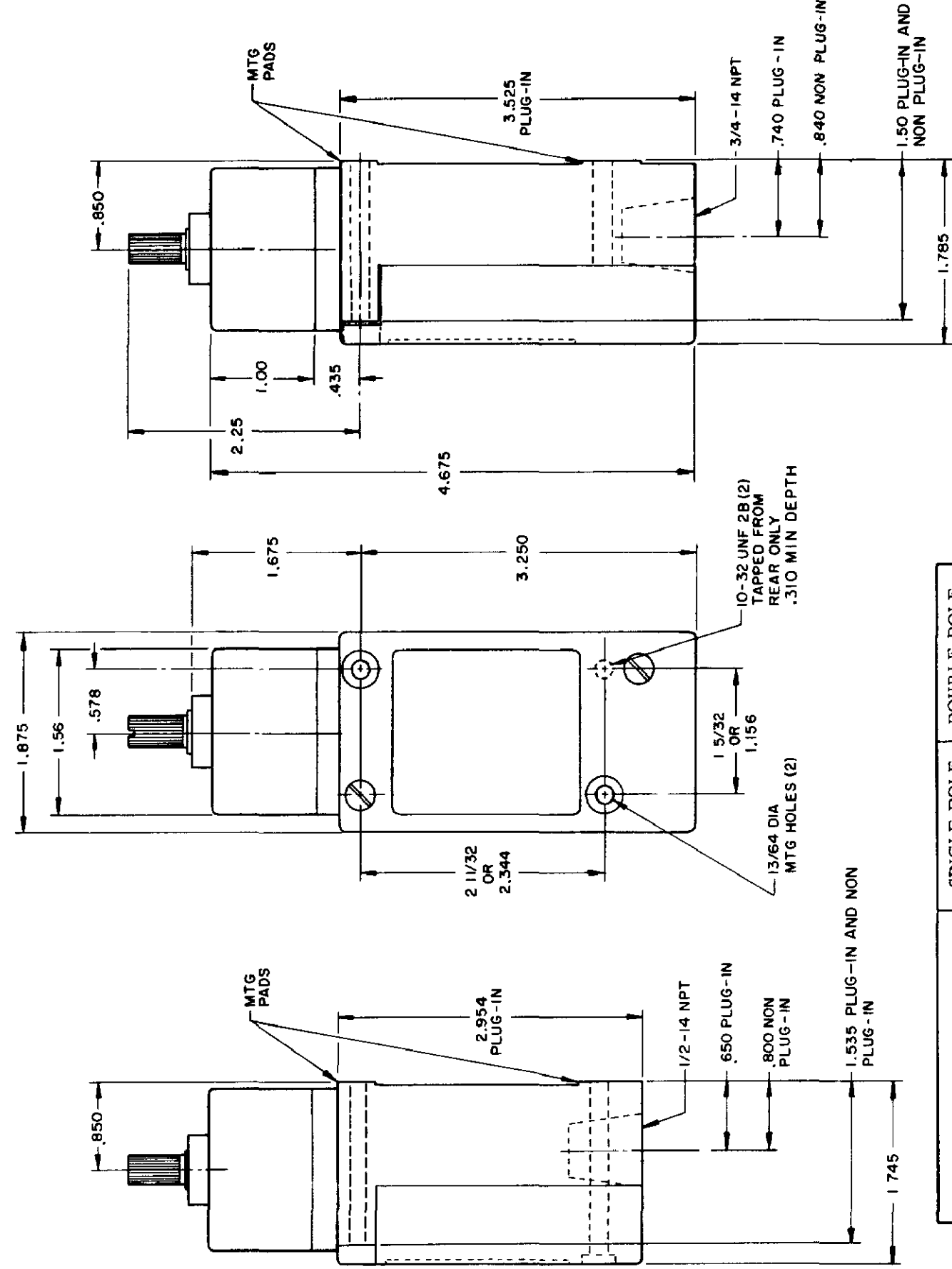
**TOP ROTARY**

**SINGLE POLE**

**DOUBLE POLE**



**TYPE LSB1 and LSB3**



**TYPE LSB2 and LSB4**  
LSB6 and LSB7 have 1/2 - 14 NPT CONDUIT HOLE

	SINGLE POLE	DOUBLE POLE
PRETRAVEL MAX	25°	25°
OVERTRAVEL MIN	110°	110°
DIFFERENTIAL TRAVEL MAX	10°	12°
OPERATING TORQUE MAX	2 5 IN. LBS	2 5 IN. LBS
TOTAL TRAVEL (REF)	135°	135°

**ELECTRICAL RATINGS**

A.C. VOLTAGE	AMPS AT 35 POWER FACTOR			
	SINGL POLE		DOUBLE POLE	
	MAKE	BREAK	MAKE	BREAK
120	60	6	30	3
240	30	3	15	1.5
480	15	1.5	7.5	7.5
600	12	1.2	6	6

D.C. VOLTAGE	MAKE & BREAK	
	INDUCTIVE	RESISTIVE
120	0.25	0.80
240	0.15	0.40

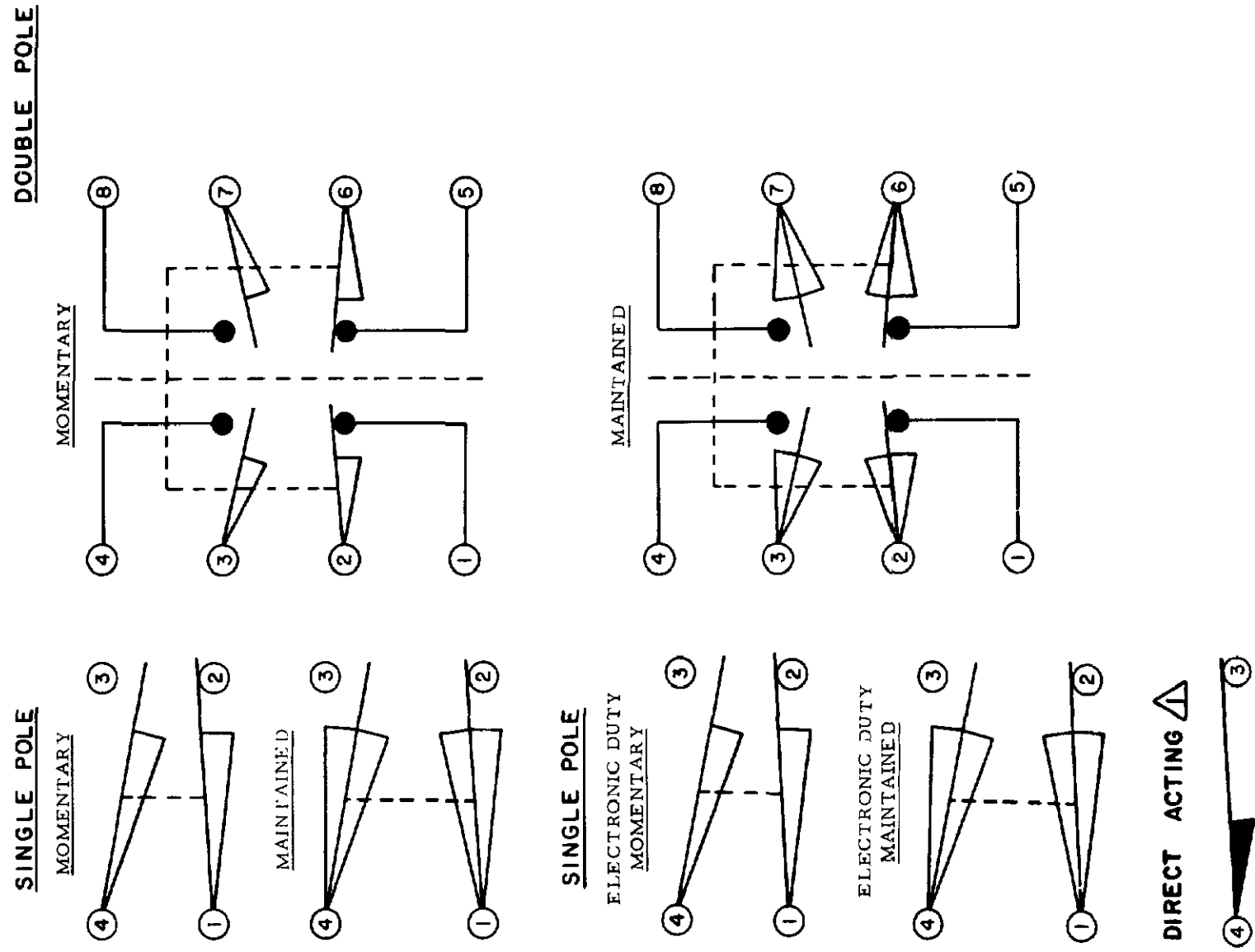
ELECTRONIC DUTY BASIC SWITCH  
10 AMP CONT.

VOLTAGE	MAKE AND BREAK AMPS	
	INDUCTIVE	RESISTIVE
5 AC OR DC MIN	01 AMP MIN	
600 AC	720 VA	
240 DC	30 WATT	

DIRECT ACTING (ALSO RATED AT A.C. 10 AMP CONT.)

D.C. VOLTAGE	MAKE AND BREAK AMPS	
	INDUCTIVE	RESISTIVE
30	4.2	4.2
120	1.1	1.1
240	.55	.55

**WIRING BASIC SWITCH**  
(SAME POLARITY MUST BE OBSERVED FOR EACH POLE)



NOTES  
DIFFERENTIAL TRAVEL ON ALL OPERATING CHARACTERISTICS NOT APPLICABLE

REVISIONS	
L	0031956
B	10 JUL 07
B	201004
C	10 AUG 00
C	201748
D	202198
E	204871
F	206581
G	206763
H	207178
I	207474
K	0006871

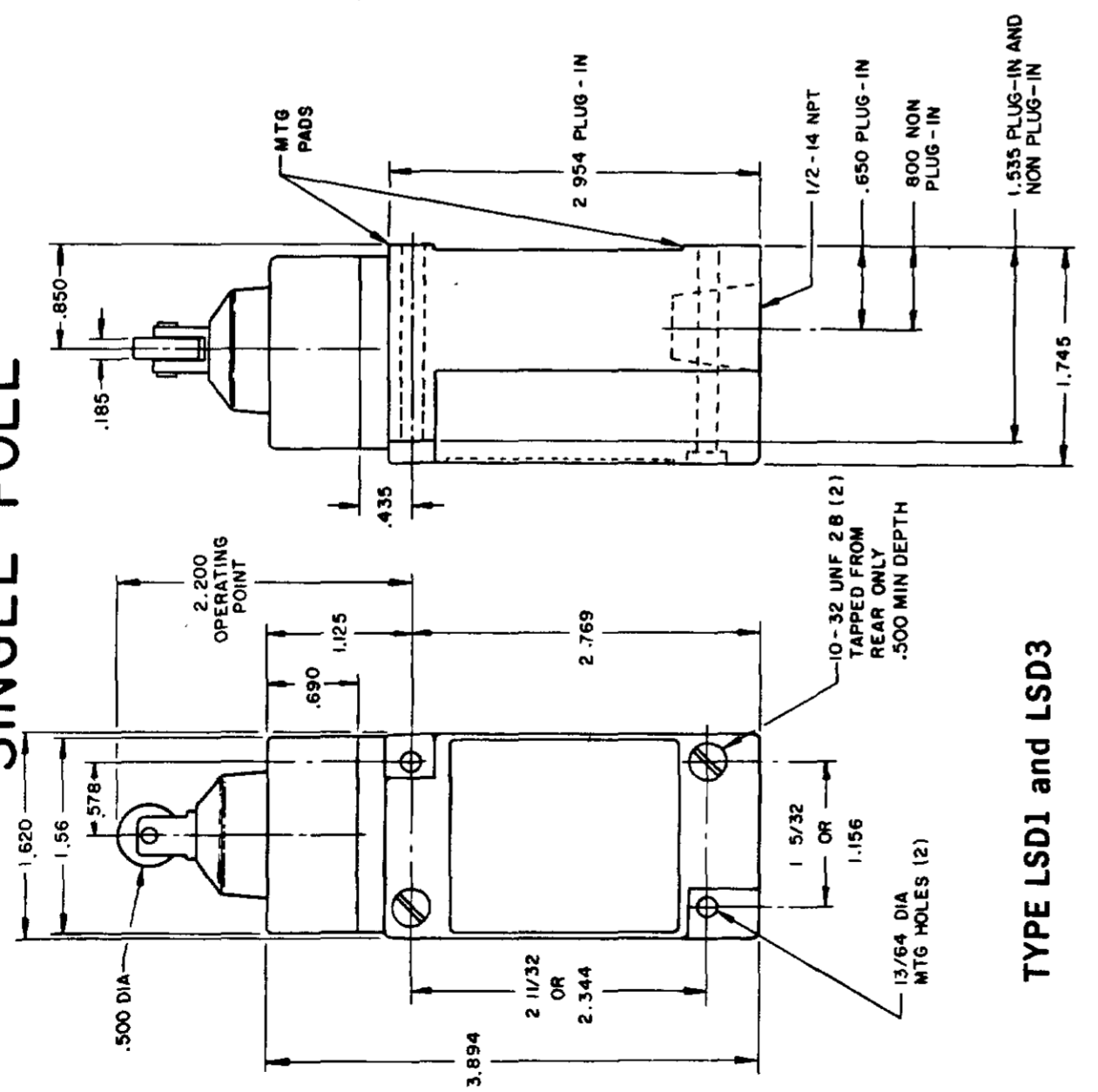
ISSUE 12  
 M LSA-LSW SERIES CHART 1  
 PAGE 4 OF 10  
 PSR 10 JUL 07  
 CHECK 11 AUG 04  
 RELEASE NO CO-78498  
 REPLACES LSA-LSW SERIES

RASTER  
 DRAWN MAM  
 15 JUN 94  
 CHECK JAF  
 11 JUL 94  
 11 AUG 94

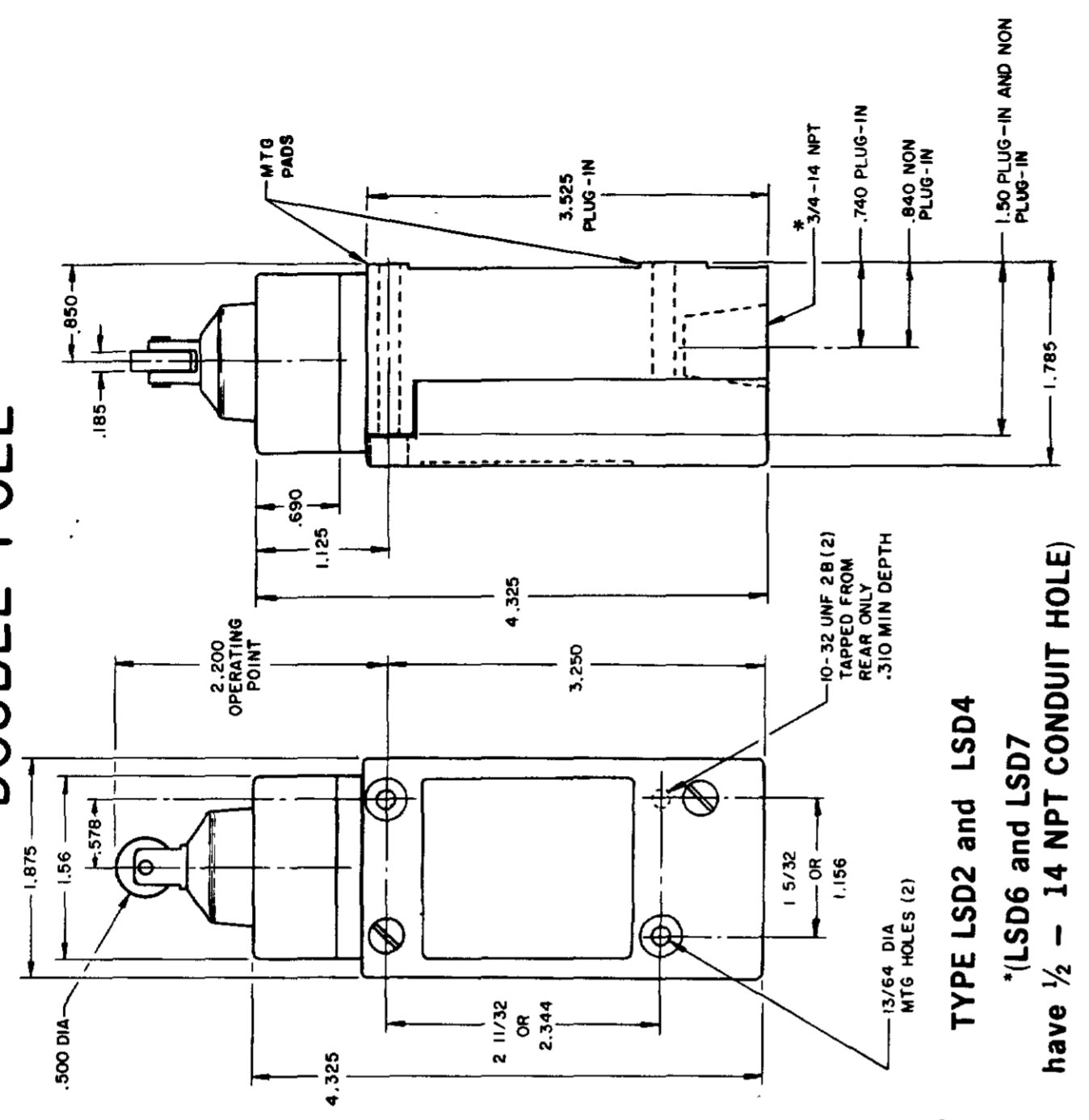
# PLUNGER TYPE TOP

## SINGLE POLE

## DOUBLE POLE

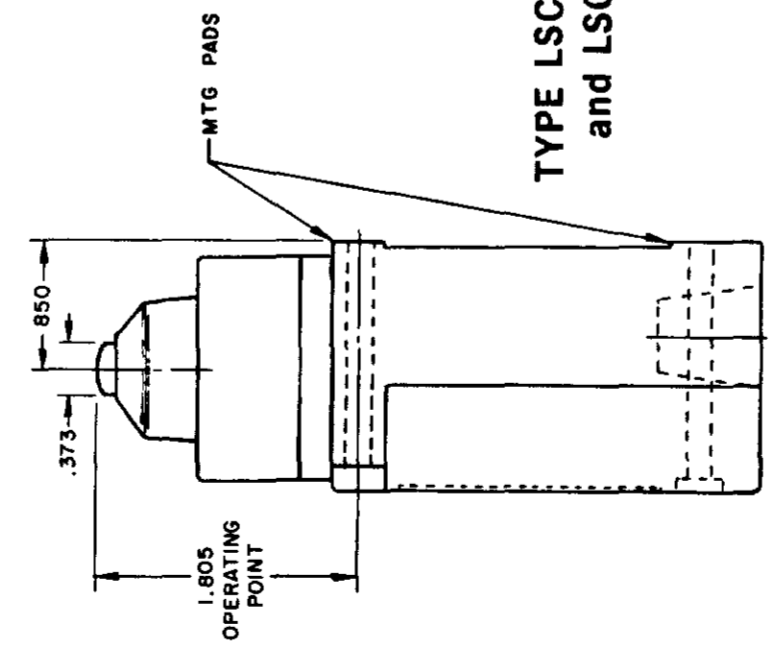


TYPE LSD1 and LSD3

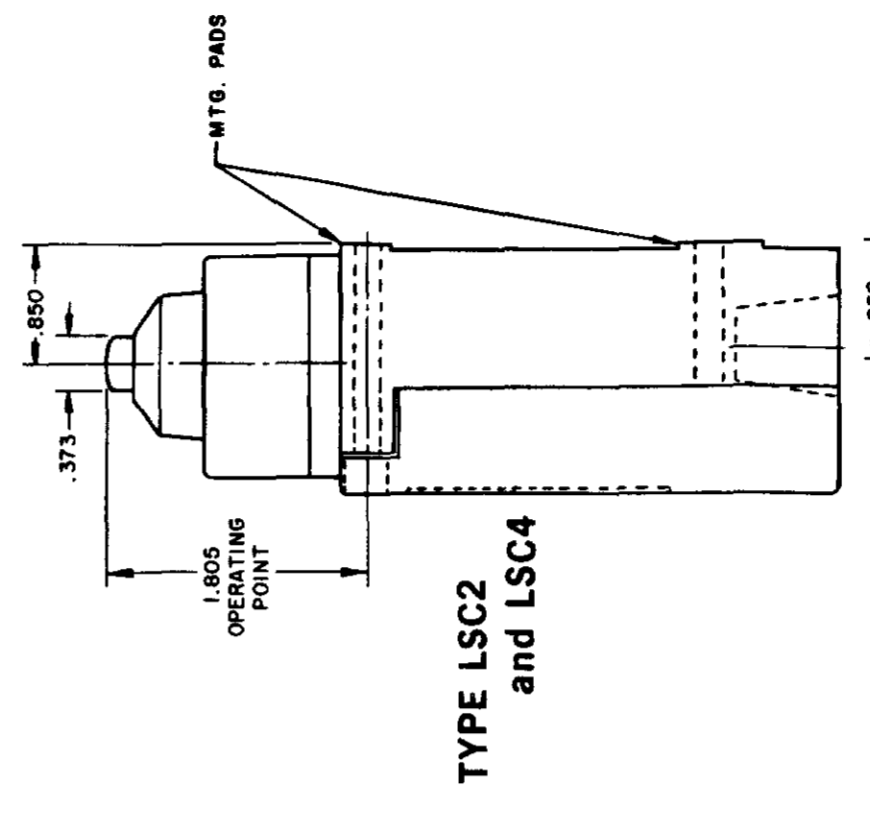


TYPE LSD2 and LSD4

\*(LSD6 and LSD7 have 1/2 - 14 NPT CONDUIT HOLE)

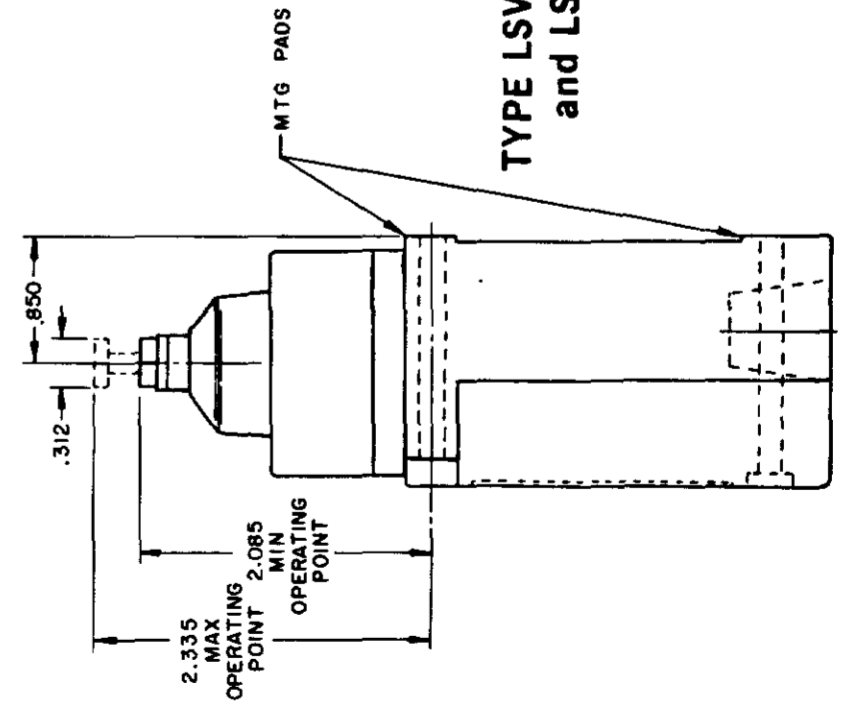


TYPE LSC1 and LSC3

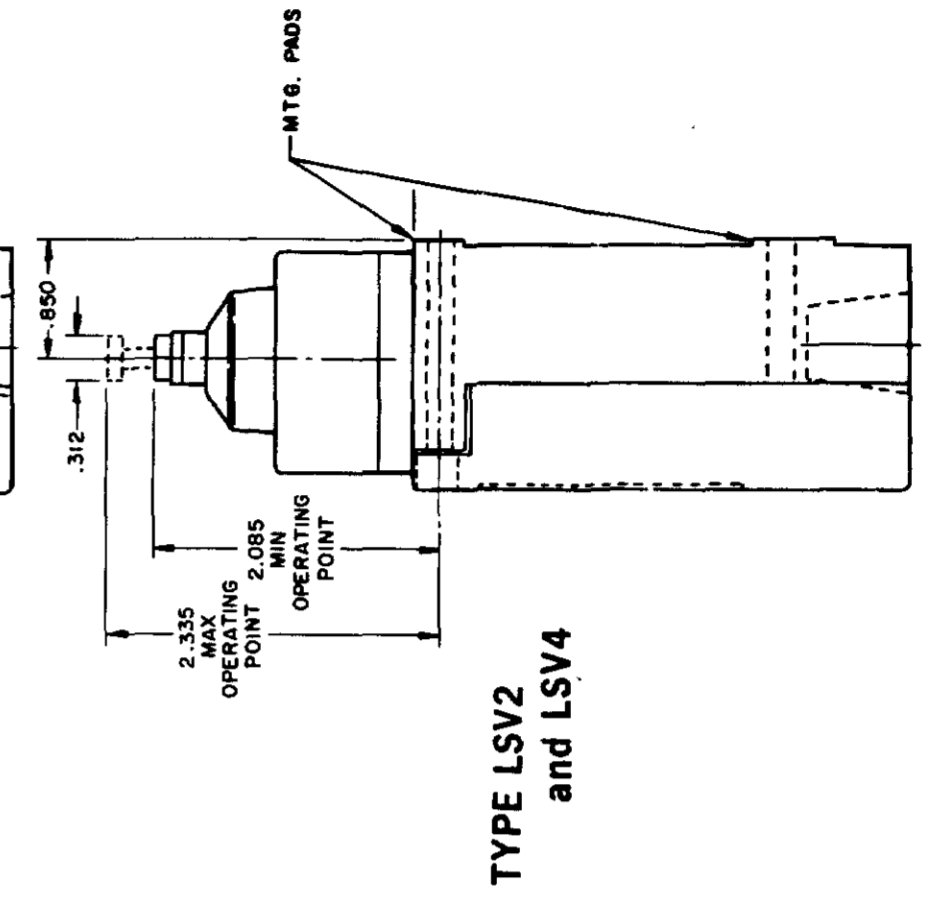


TYPE LSC2 and LSC4

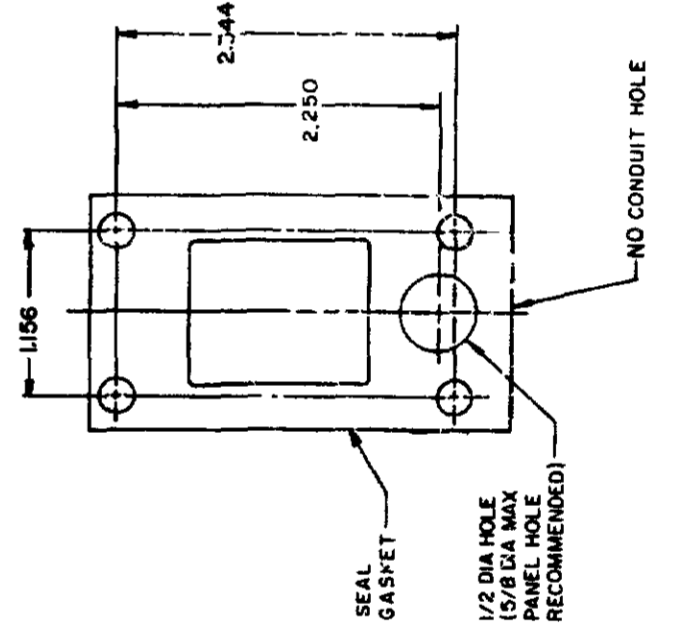
120 LAMP VOLTAGE - TYPE LSC5, LSD5 or LSV5  
 240 LAMP VOLTAGE - TYPE LSC8, LSD8 or LSV8



TYPE LSV1 and LSV3



TYPE LSV2 and LSV4



MANIFOLD MOUNT (PLUG-IN ONLY)  
 SINGLE POLE AND DOUBLE POLE  
 TYPE LSA THROUGH LSW SERIES

THIS DRAWING COVERS A PROPRIETARY ITEM AND IS THE PROPERTY OF MICRO SWITCH, A DIVISION OF HONEYWELL. THIS DRAWING IS NOT TO BE COPIED OR USED WITHOUT THE APPROVAL OF MICRO SWITCH.

**MICRO SWITCH**  
 a Honeywell Division

SWITCH - ENCLOSED

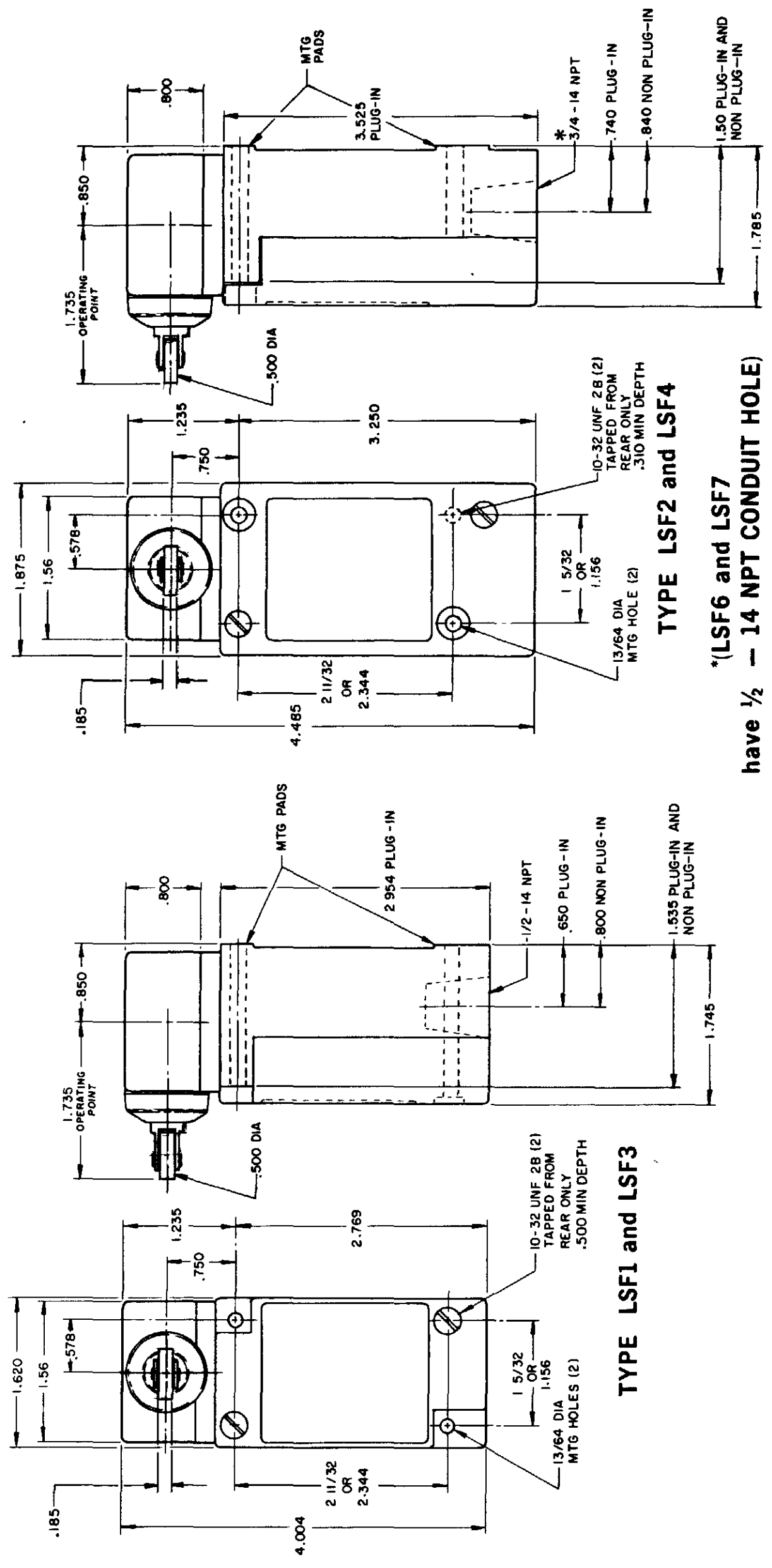
CATALOG LISTING  
**LSA-LSW SERIES**  
 CHART 1

SCALE NONE

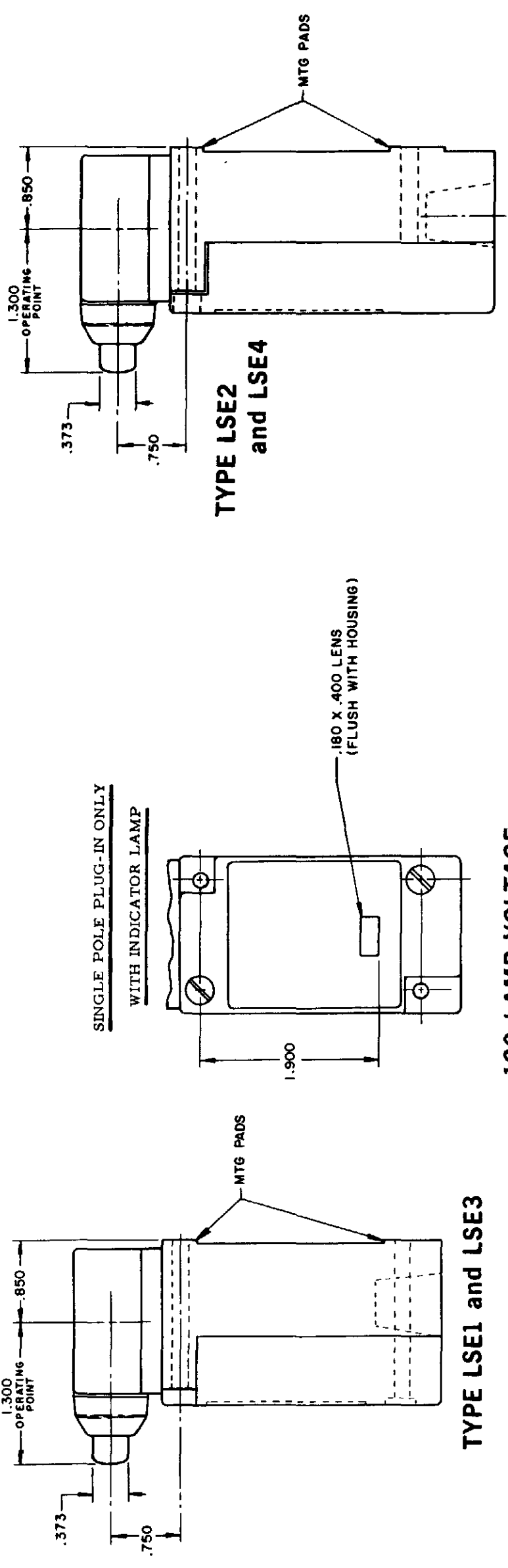
RASTER  
DRAWN  
MAM 15 JUN 94  
CHECK JAF 11 JUL 94  
CHECK AK 11AUG04  
CHECK PSR 10JUL07  
REPLACES LSA-LSW SERIES

REV	DATE	BY	CHKD	DESCRIPTION
L	0031956			
B	10 JUL 07			
C	10 AUG 00			
D	17 NOV 00			
E	20 JAN 01			
F	20 FEB 02			
G	14 OCT 02			
H	207179			
I	207474			
J	18 FEB 03			
K	0006871			

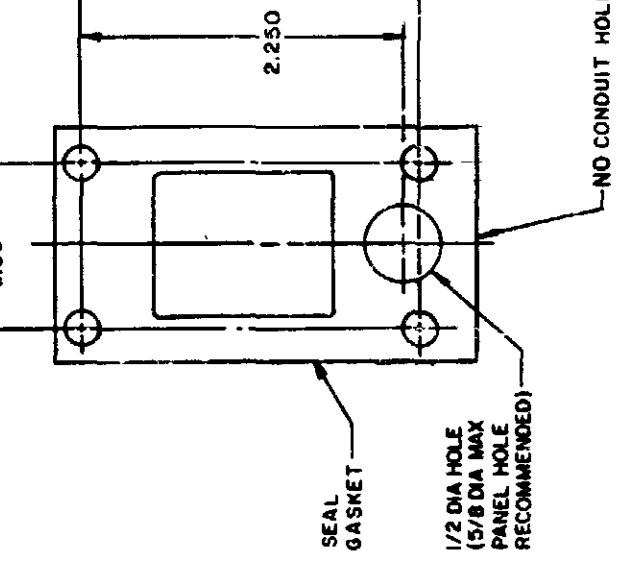
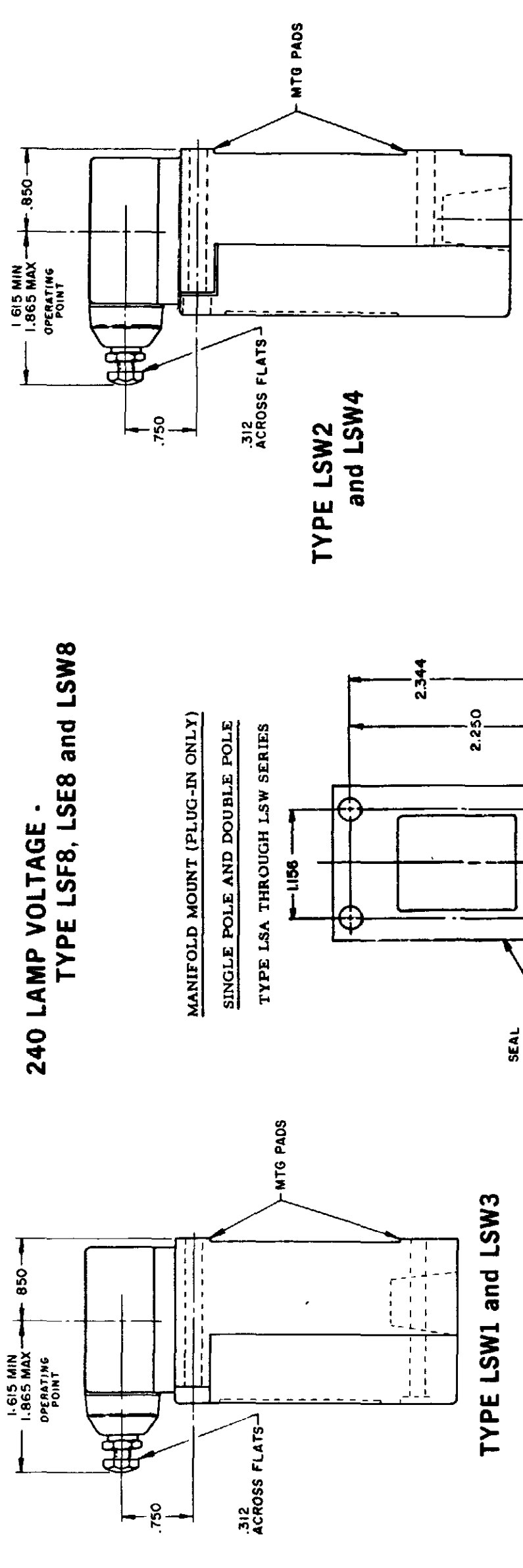
SIDE PLUNGER TYPE DOUBLE POLE



TYPE LSF1 and LSF3  
TYPE LSF2 and LSF4  
TYPE LSF6 and LSF7  
have 1/2 - 14 NPT CONDUIT HOLE)



TYPE LSE1 and LSE3  
TYPE LSE2 and LSE4  
TYPE LSW1 and LSW3  
120 LAMP VOLTAGE - TYPE LSF5, LSE5 and LSW5  
240 LAMP VOLTAGE - TYPE LSF8, LSE8 and LSW8



THIS DRAWING COVERS A PROPRIETARY ITEM AND IS THE PROPERTY OF MICRO SWITCH A DIVISION OF HONEYWELL THIS DRAWING IS NOT TO BE COPIED OR USED WITHOUT THE APPROVAL OF MICRO SWITCH

**MICRO SWITCH**  
a Honeywell Division

SWITCH - ENCLOSED

LSA-LSW SERIES  
CHART 1

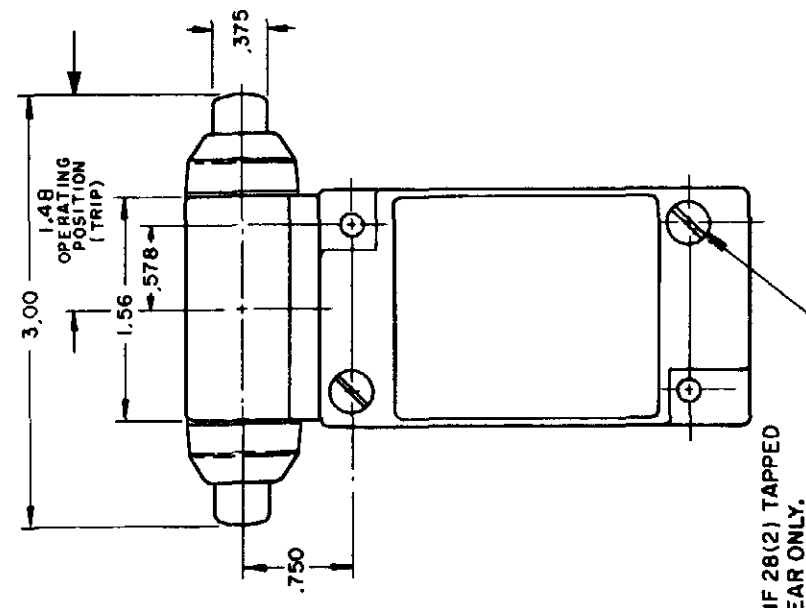
CATALOG LISTING

FED MFG CODE 91929

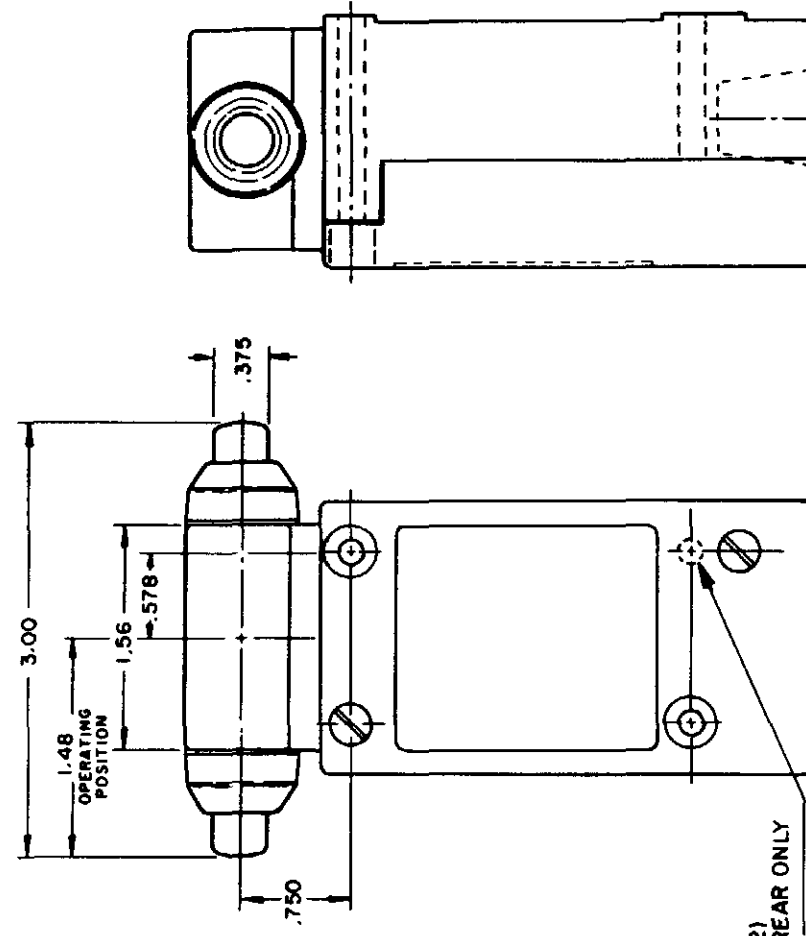
REVISIONS	
L	0031956
B	10 JUL 07
B	201004
C	201748
D	202198
E	204871
F	206581
G	206763
H	207179
J	207474
K	0006871

ISSUE **12** PSR  
**M** LSA-LSW SERIES CHART 1  
 PAGE 6 OF 10  
 CATALOG LISTING  
 RELEASE NO CO-78498  
 REPLACES LSA-LSW SERIES

RASTER  
 DRAWN  
 MAM 15 JUN 94  
 CHECK JAF  
 11 JUL 94  
 CHECK AK  
 11AUG04  
 CHECK  
 11AUG04



TYPE LSG1 and LSG3



TYPE LSG2 and LSG4

INITIAL POSITION (FREE POSITION) } PRETRAVEL  
 OPERATING POINT } DIFFERENTIAL TRAVEL  
 FULL TRAVEL } OVERTRAVEL

**MICRO SWITCH**  
 a Honeywell Division

SWITCH - ENCLOSED  
 LSA-LSW SERIES  
 CHART 1

THIS DRAWING COVERS A PROPRIETARY ITEM AND IS THE PROPERTY OF MICRO SWITCH, A DIVISION OF HONEYWELL. THIS DRAWING IS NOT TO BE COPIED OR USED WITHOUT THE APPROVAL OF MICRO SWITCH.

OPERATING POINT GIVEN IN RELATION TO TOP MOUNTING HOLE

CHARACTERISTICS	LSC PLUNGER		LSD ROLLER PLUNGER		LSV ADJ PLUNGER		SEQUENCE BASIC	
	LSC	LSD	LSC	LSD	LSC	LSD	LSE	LSF
PRETRAVEL (MAX)	.070	.070	.070	.070	.070	.070	1ST STEP .070	2ND STEP .016 MIN ADD'L
DIFFERENTIAL TRAVEL (MAX)	.015	.020	SINGLE POLE DOUBLE POLE .015	DOUBLE POLE .020	SINGLE POLE DOUBLE POLE .015	DOUBLE POLE .020	.015 EACH STEP	.015 EACH STEP
OVERTRAVEL (MIN)	.190	.190	.190	.190	.190	.190	.170	.170
OPERATING FORCE (MAX)	4 LBS	4 LBS	4 LBS	4 LBS	4 LBS	4 LBS	4 LBS	4 LBS
OPERATING POINT	1.805 ± .030	2.200 ± .040	2.200 ± .040	2.200 ± .040	2.085 MIN	2.335 MAX	1.815 ± .030	2.210 ± .040
FULL OVERTRAVEL FORCE (MAX)	7 LBS	7 LBS	7 LBS	7 LBS	7 LBS	7 LBS	7 LBS	7 LBS

OPERATING POINT GIVEN IN RELATION TO CENTER OF HEAD

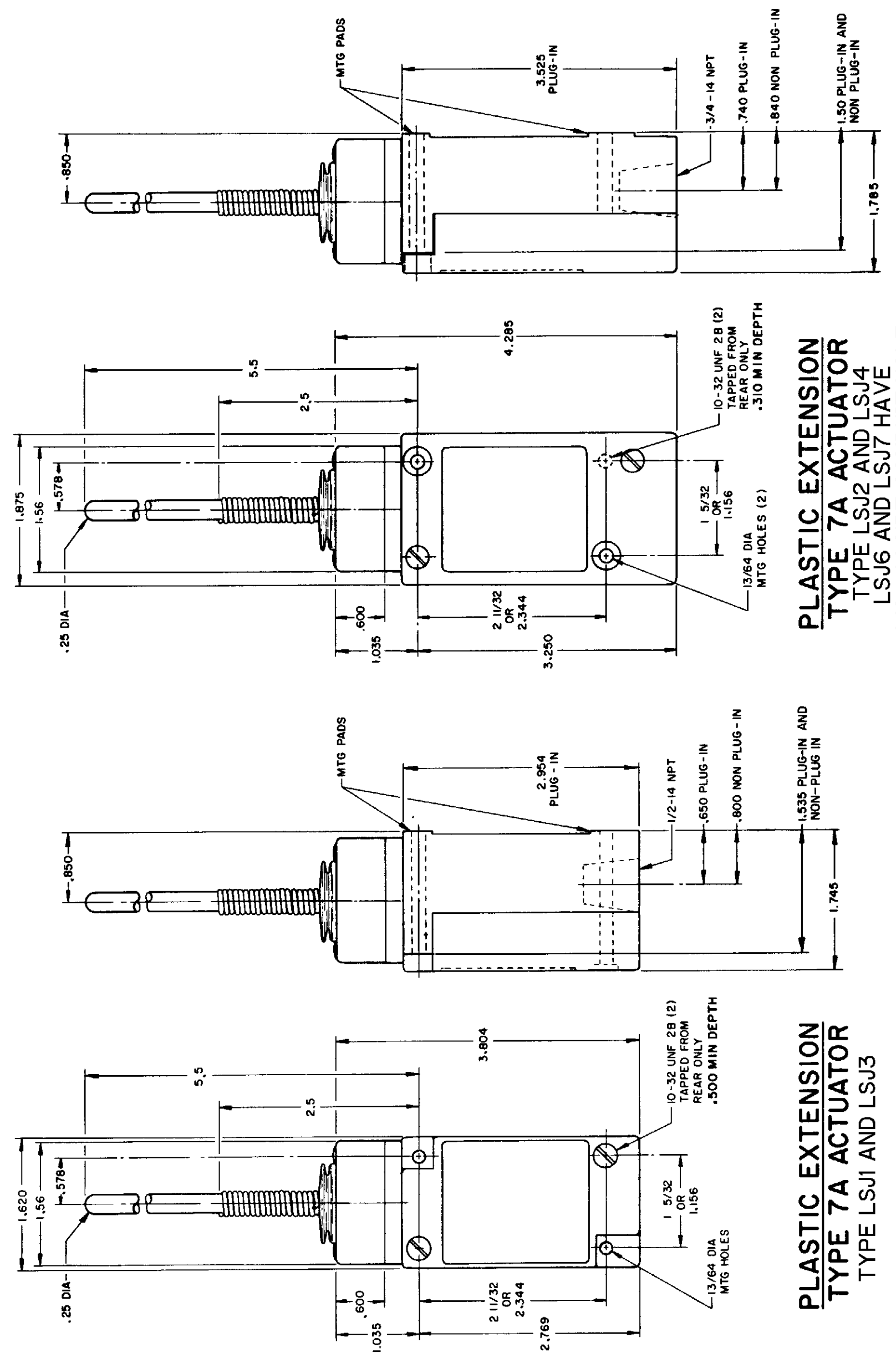
CHARACTERISTICS	LSE PLUNGER		LSF ROLLER PLUNGER		LSW ADJ PLUNGER		SEQUENCE BASIC	
	LSE	LSF	LSE	LSF	LSE	LSF	LSE	LSF
PRETRAVEL (MAX)	.100	.100	.100	.100	.170	.170	1ST STEP .100	2ND STEP .020 MIN ADD'L
DIFFERENTIAL TRAVEL (MAX)	.045	.045	.045	.045	.090	.090	.025 EACH STEP	.025 EACH STEP
OVERTRAVEL (MIN)	.190	.190	.190	.190	.080	.080	.170	.170
OPERATING FORCE (MAX)	6 LBS	6 LBS	6 LBS	6 LBS	10 LBS	10 LBS	6 LBS	6 LBS
OPERATING POINT	1.300 ± .030	1.735 ± .040	1.735 ± .040	1.735 ± .040	1.480 ± .030	1.480 ± .030	1.310 ± .030	1.745 ± .040
FULL OVERTRAVEL FORCE (MAX)	6 LBS	6 LBS	6 LBS	6 LBS	10 LBS	10 LBS	6 LBS	6 LBS

SCALE NONE  
 DO NOT SCALE PRINT  
 DIMENSIONS ARE IN INCHES  
 TOLERANCES:  
 ONE PLACE (.0)  
 TWO PLACE (.00)  
 THREE PLACE (.000)  
 ANGLES  
 WEIGHT

**WOBBLE STICK**

DOUBLE POLE

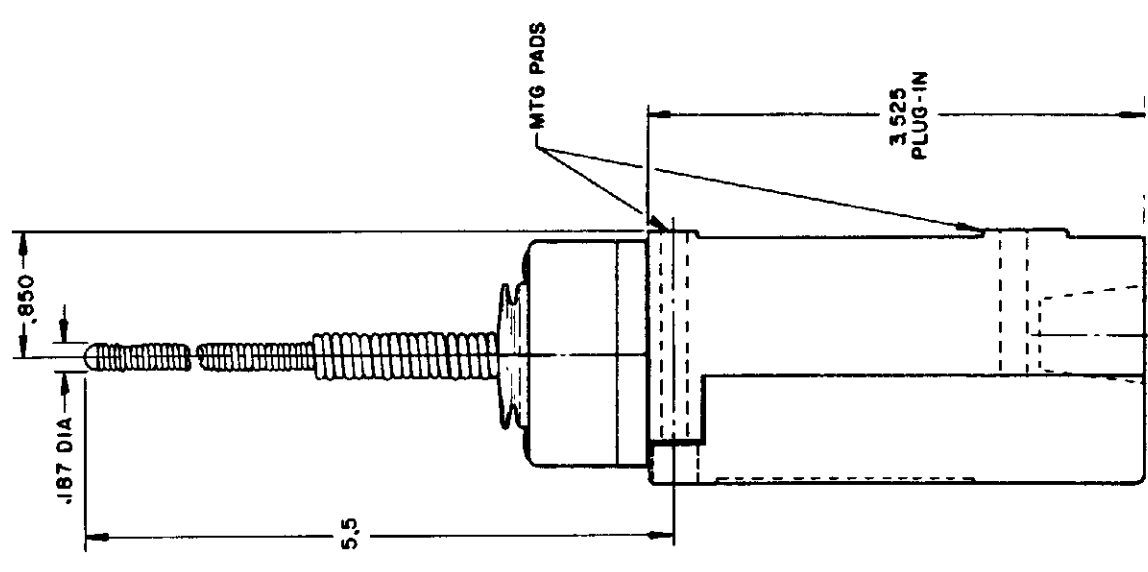
SINGLE POLE



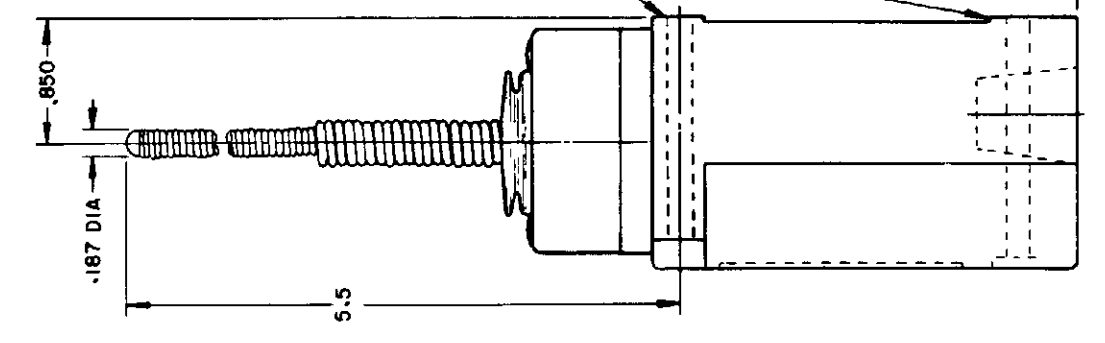
**PLASTIC EXTENSION  
TYPE 7A ACTUATOR**  
TYPE LSJ2 AND LSJ4  
LSJ6 AND LSJ7 HAVE  
1/2 - 14 NPT CONDUIT HOLE

**PLASTIC EXTENSION  
TYPE 7A ACTUATOR**  
TYPE LSJ1 AND LSJ3

**REPLACEMENT ACTUATOR  
LSZ-4009**

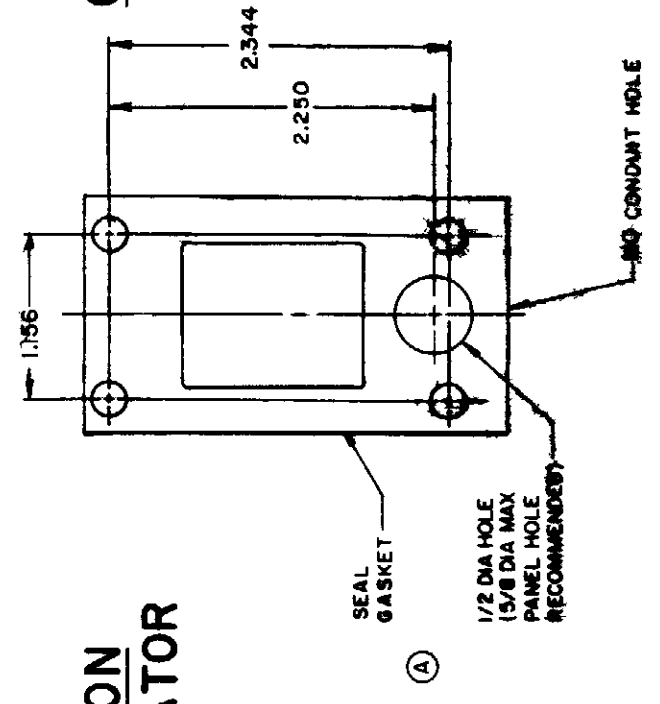


**120 LAMP VOLTAGE TYPE LSJ5  
240 LAMP VOLTAGE TYPE LSJ8  
24 LED VOLTAGE TYPE LSJ9**



**CABLE EXTENSION  
TYPE 7N ACTUATOR**

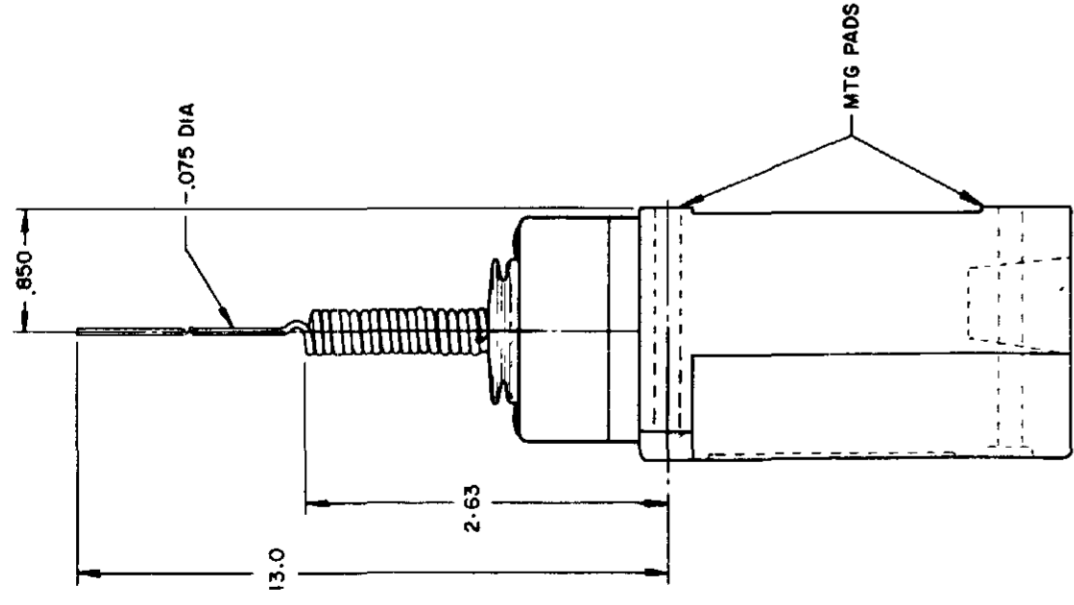
**CABLE EXTENSION  
TYPE 7N ACTUATOR**



**REPLACEMENT ACTUATOR  
LSZ-4011**

**MANIFOLD MOUNT (PLUG-IN ONLY)  
SINGLE POLE AND DOUBLE POLE  
TYPE LSA THROUGH LSW SERIES**

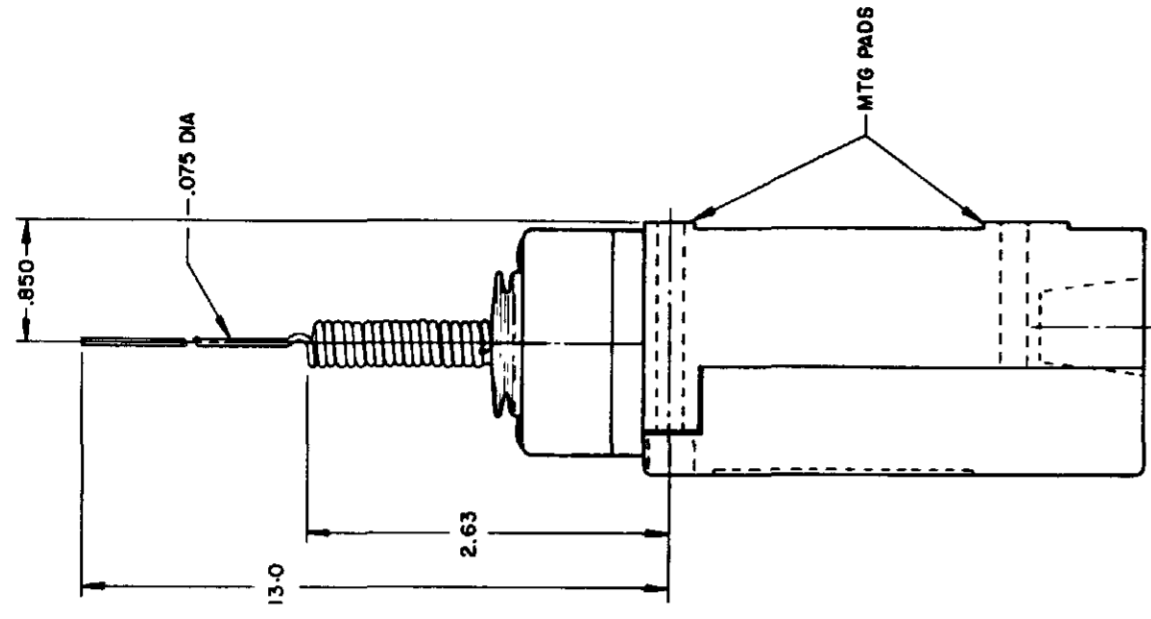
REV	DATE	BY	CHKD	DESCRIPTION
L	00319556			
B	10 JUL 07			
B	201004			
C	10 AUG 00			
C	201748			
C	17 NOV 00			
D	202198			
E	23 JAN 01			
E	204871			
F	206581			
G	206763			
H	207179			
J	207474			
K	0006871			



**WIRE EXTENSION TYPE 7M ACTUATOR**

TYPE LSJ1 and LSJ3

REPLACEMENT ACTUATOR - LSZ 4010

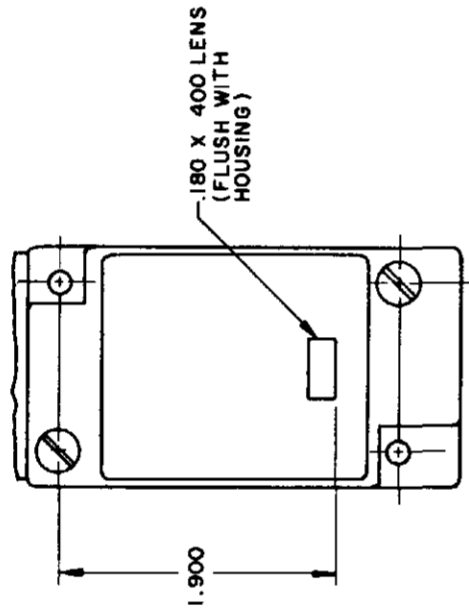


**WIRE EXTENSION TYPE 7M ACTUATOR**

TYPE LSJ2 and LSJ4

LSJ6 and LSJ7 have 1/2 - 14 NPT CONDUIT HOLE

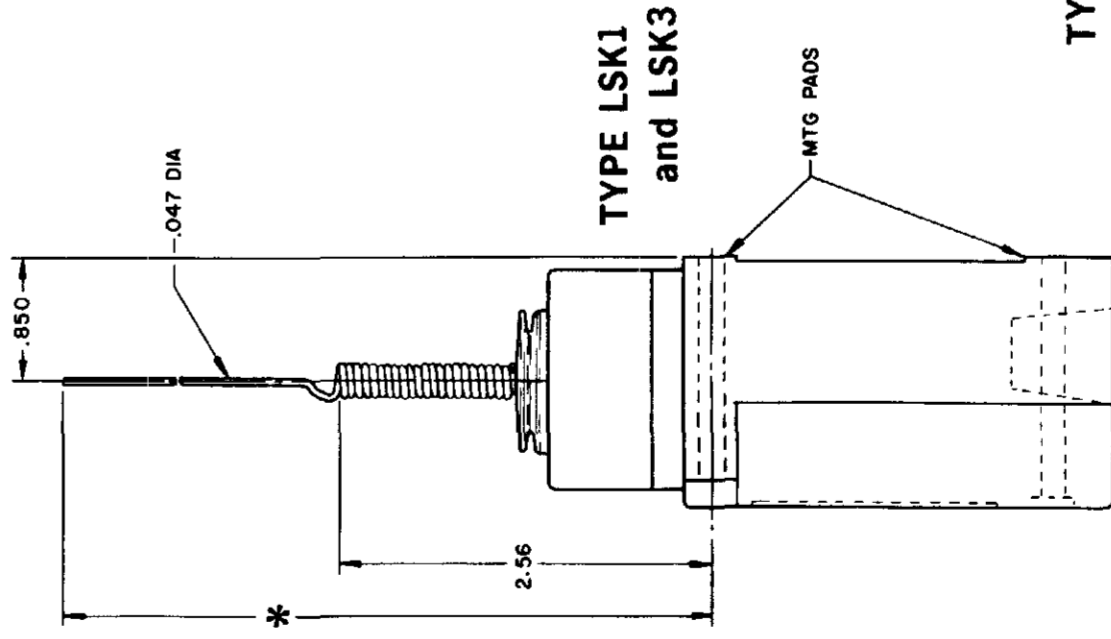
SINGLE POLE PLUG-IN ONLY  
WITH INDICATOR LAMP



120 LAMP VOLTAGE TYPE LSJ5  
240 LAMP VOLTAGE TYPE LSJ8

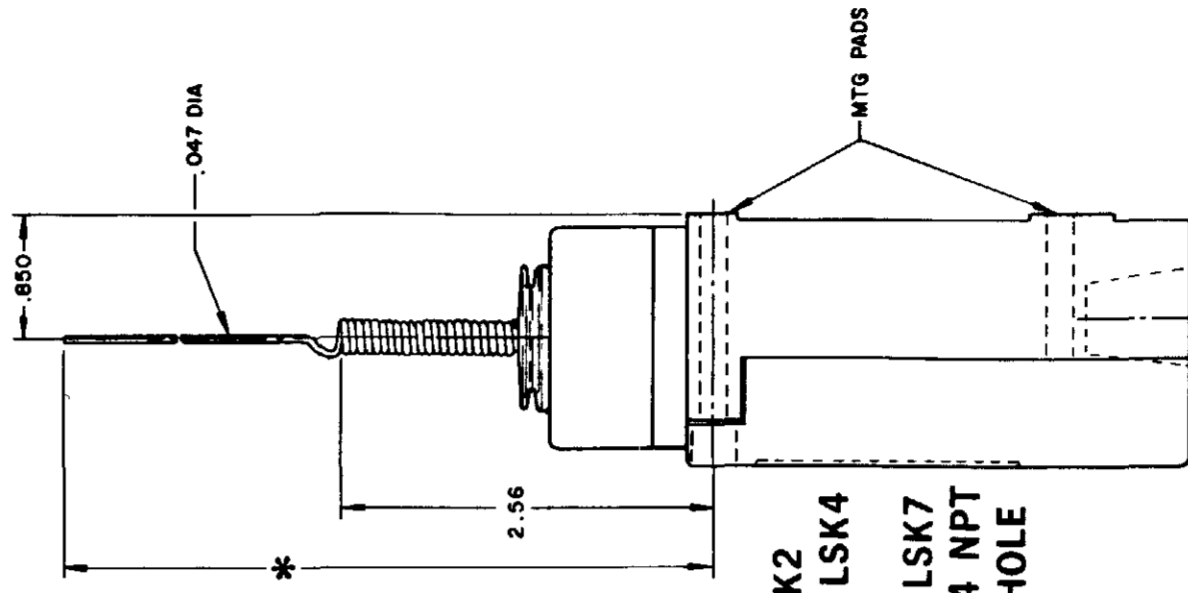
**CAT WHISKER**

**SINGLE POLE**



TYPE LSK1  
and LSK3

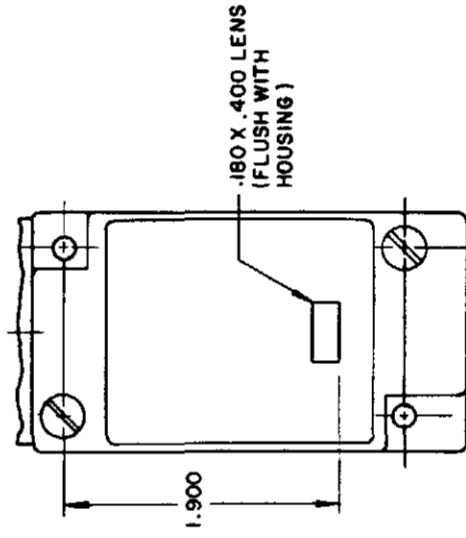
**DOUBLE POLE**



TYPE LSK2  
and LSK4

LSK6 and LSK7  
have 1/2 - 14 NPT  
CONDUIT HOLE

SINGLE POLE PLUG-IN ONLY  
WITH INDICATOR LAMP



120 LAMP VOLTAGE  
TYPE LSK5 - CAT WHISKER TYPE LSB5 - TOP ROTARY  
240 LAMP VOLTAGE  
TYPE LSK8 - CAT WHISKER TYPE LSB8 - TOP ROTARY

\* WIRE EXTENSION REPLACEMENT ACTUATOR

TYPE 8A ACTUATOR 5.5 IN.-LSZ 4012

TYPE 8B ACTUATOR 7.5 IN.-LSZ 4013

TYPE 8C COIL ACTUATOR 5.5 IN.-LSZ 4014  
ACTUATOR 9.5 IN. - LSZ 4036

WIRE EXTENSION

\* TYPE 8A ACTUATOR 5.5 IN.

TYPE 8B ACTUATOR 7.5 IN.

TYPE 8C ACTUATOR 5.5 IN.

TYPE 8D ROD ACTUATOR 5.5 IN.

PRETRAVEL (APPROX) IN. RADIUS	CAT. WHISKER		WOBBLE STICK	
	5/16" WIRE	7/16" WIRE	ROD	CABLE
2	2	4.5	1.0	1.5
OPERATING FORCE-OZ (MAX)	7.0	5.0	3.0	10.0
			7.0	5.0

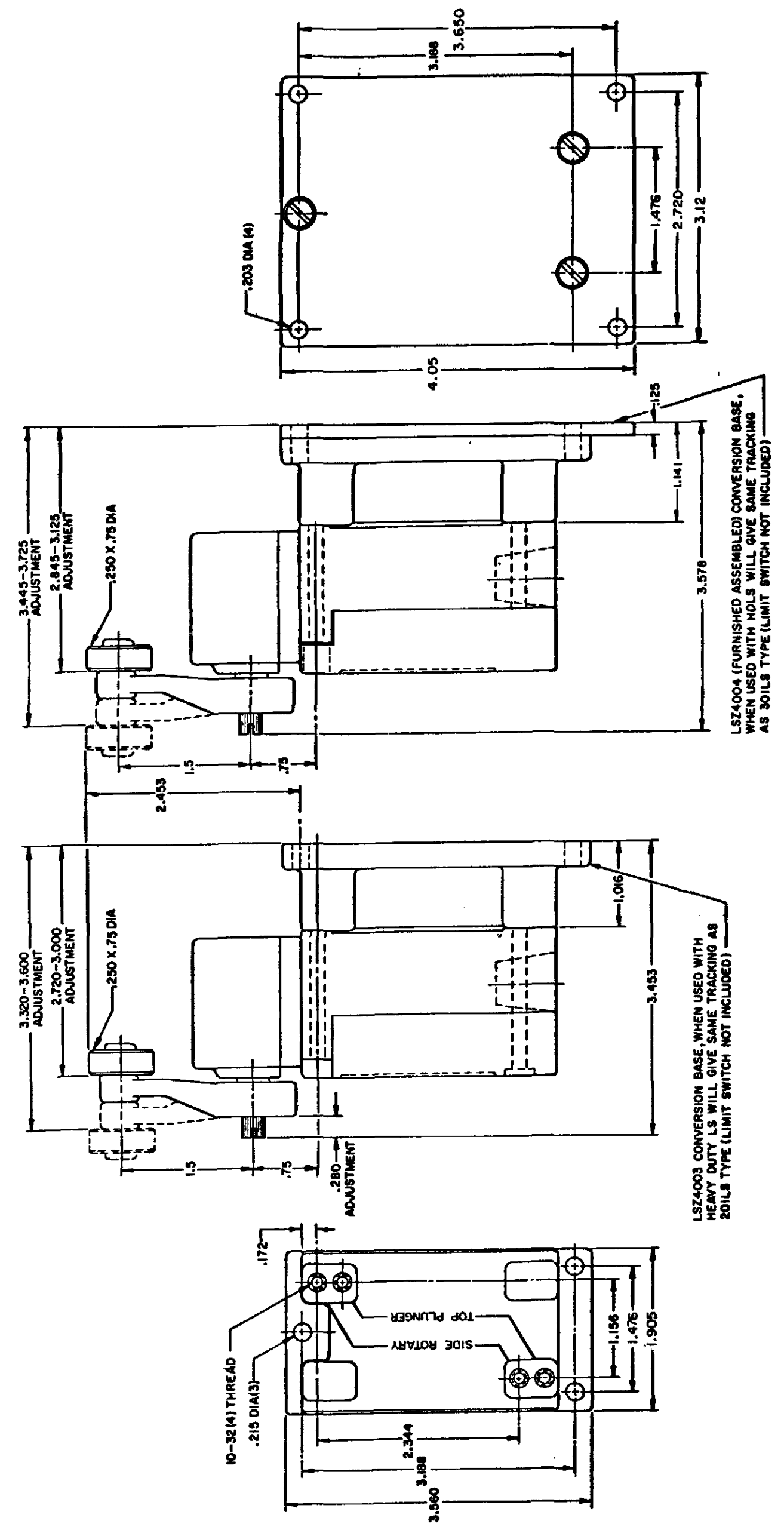


ISSUE	12	PSR	10JUL07	RELEASE NO	CO-78498	REPLACES	LSA-LSW SERIES
CATALOG LISTING	LSA-LSW SERIES CHART 1						
REVISIONS	PAGE 9 OF 10						
L	0031956	BS	10JUL07	11AUG04	AK	11AUG04	check
B	201004	CS	10AUG00	AK	11AUG04	AK	check
C	201748	CS	23JAN01	AK	11AUG04	AK	check
D	202198	CS	23JAN01	AK	11AUG04	AK	check
E	204871	CS	23JAN01	AK	11AUG04	AK	check
F	206581	CS	23JAN01	AK	11AUG04	AK	check
G	206763	CS	23JAN01	AK	11AUG04	AK	check
H	207179	CS	23JAN01	AK	11AUG04	AK	check
J	207474	CS	23JAN01	AK	11AUG04	AK	check
K	0006871	CS	23JAN01	AK	11AUG04	AK	check
RASTER	DRAWN MAM 15 JUN 94 check JAF						

# CONVERSION BASES

**SINGLE POLE  
(SIDE ROTARY)  
LSZ 4003**

**DOUBLE POLE  
(SIDE ROTARY)  
LSZ 4004**

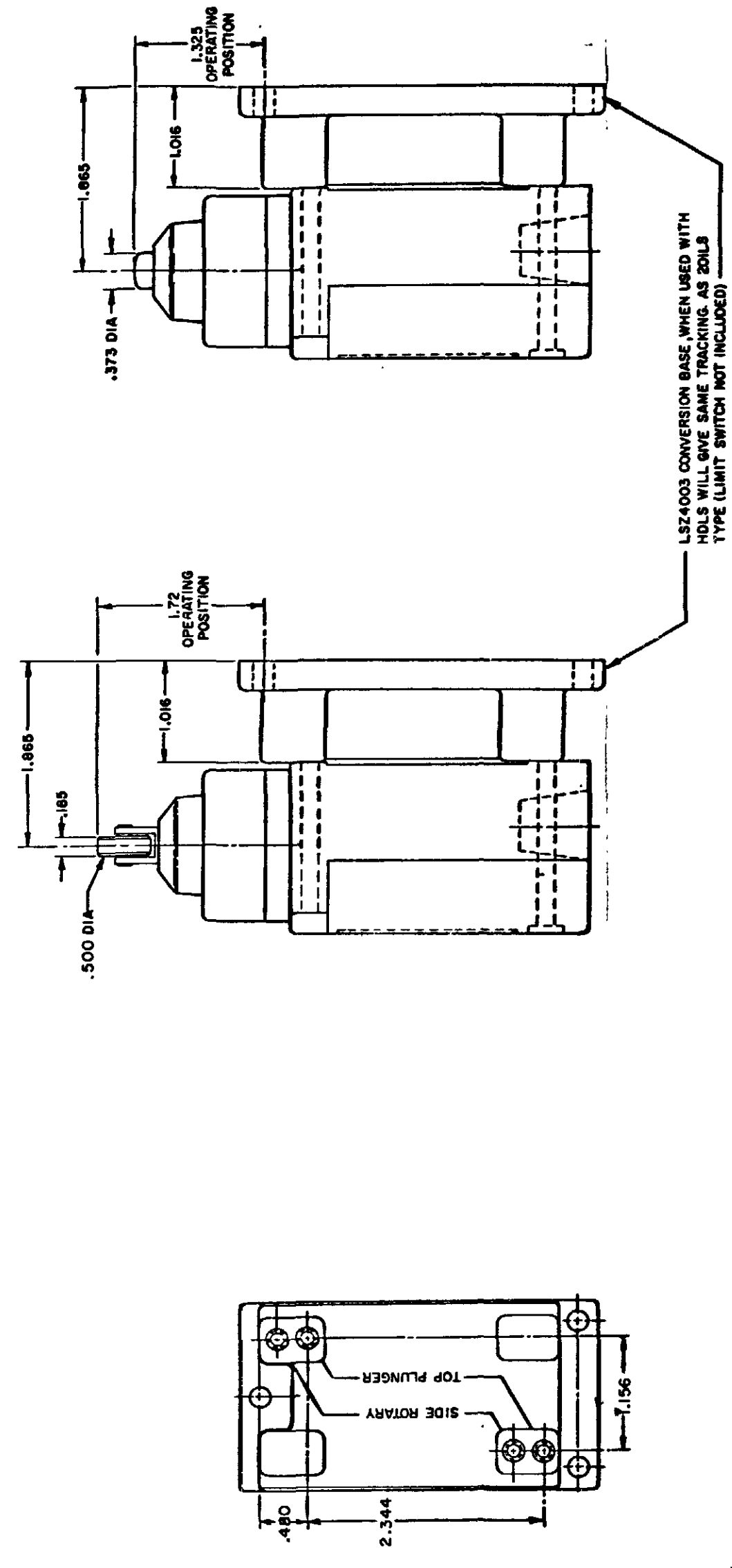


LSZ4004 (FURNISHED ASSEMBLED) CONVERSION BASE, WHEN USED WITH HOLDS WILL GIVE SAME TRACKING AS 301LS TYPE (LIMIT SWITCH NOT INCLUDED)

LSZ4003 CONVERSION BASE WHEN USED WITH HEAVY DUTY LS WILL GIVE SAME TRACKING AS 201LS TYPE (LIMIT SWITCH NOT INCLUDED)

NOTE  
SEE OTHER PAGES OF LSA-LSW  
(M) DRAWING FOR DIMENSION OF LIMITS

# SINGLE POLE TOP PLUNGER LSZ4003



NOTE  
SEE OTHER PAGES OF LSA-LSW  
(M) DRAWING FOR DIMENSION OF LIMIT SWITCH

THIS DRAWING COVERS A PROPRIETARY ITEM AND IS THE PROPERTY OF MICRO SWITCH, A DIVISION OF HONEYWELL. THIS DRAWING IS NOT TO BE COPIED OR USED WITHOUT THE APPROVAL OF MICRO SWITCH.

**MICRO SWITCH**  
a Honeywell Division

SWITCH - ENCLOSED

CATALOG LISTING  
**LSA-LSW SERIES**  
CHART 1

SCALE FULL  
DO NOT SCALE PRINT

PAGE 9 OF 10

HEAD TYPE	CELLULUBE	DETERGENT	5 STAR	ASTM #1	ASTM #2	ASTM #3	ASTM #4	HOUGHTO SAFE 271	HOUGHTO SAFE 820	HOUGHTO SAFE 1010	HOUGHTO SAFE 1055	MINERAL OIL	PETR. OIL CRUDE	SILICON GR & OIL	SUNSAFE	BEER	STODDARD SOLV.	CHLORINATED SOLVENTS	CITRIC ACID	D-ESTER SYN. LUBRICANTS	OZONE	HYDRAUL	PROGUARD	PETRO. BASE HYDRAULIC OIL	LARD OIL	SILICATE ESTERS
LSA	4	1	1	1	1	2	1	4	1	1	1	1	1	1	1	4	1	2	4	4	4	4	1	1	2	
LSB	4	1	1	1	1	2	1	4	1	1	1	1	1	1	1	4	1	2	4	4	4	4	1	1	2	
LSC	4	2	2	1	2	4	4	2	4	2	2	1	2	1	2	4	1	4	3	4	4	2	2	2		
LSD	4	2	2	1	2	4	4	2	4	2	2	1	2	1	2	4	1	4	3	4	4	2	2	2		
LSE	4	2	2	1	2	4	4	2	4	2	2	1	2	1	2	4	1	4	3	4	4	2	2	2		
LSF	4	2	2	1	2	4	4	2	4	2	2	1	2	1	2	4	1	4	2	4	4	2	2	2		
LSG	4	2	2	1	2	4	4	2	4	2	2	1	2	1	2	4	1	4	3	4	4	2	2	2		
LSH	4	1	1	1	1	2	1	4	1	1	1	1	1	1	1	4	1	2	4	4	4	1	1	2		
LSJ	4	2	2	1	2	4	4	2	4	2	2	1	2	1	2	4	1	4	3	4	4	2	2	2		
LSK	4	2	2	1	2	4	4	2	4	2	2	1	2	1	2	4	1	4	3	4	4	2	2	2		
LSL	4	1	1	1	1	2	1	4	1	1	1	1	1	1	1	4	1	2	4	4	4	1	1	2		
LSM	4	1	1	1	1	2	1	4	1	1	1	1	1	1	1	4	1	2	4	4	4	1	1	2		
LSN	4	1	1	1	1	2	1	4	1	1	1	1	1	1	1	4	1	2	4	4	4	1	1	2		
LSP	4	1	1	1	1	2	1	4	1	1	1	1	1	1	1	4	1	2	4	4	4	1	1	2		
LSR	4	1	1	1	1	2	1	4	1	1	1	1	1	1	1	4	1	2	4	4	4	1	1	2		
LSV	4	2	2	1	2	4	4	2	4	2	2	1	2	1	2	4	1	4	3	4	4	2	2	2		
LSW	4	2	2	1	2	4	4	2	4	2	2	1	2	1	2	4	1	4	2	4	4	2	2	2		
LST	UNSEALED DEVICE, INTENDED TO MEET NEMA 1 ONLY																									
LSS	UNSEALED DEVICE, INTENDED TO MEET NEMA 1 ONLY																									

CODE: 1 SATISFACTORY 2 FAIR 3 DOUBTFUL 4 UNSATISFACTORY

TYPES	LOW LIMIT	HIGH LIMIT
LSA	+10°F	+250°F
LSB	+30°F	+250°F
LSC	+10°F	+200°F
LSD	+10°F	+200°F
LSE	+10°F	+200°F
LSF	+10°F	+200°F
LSG	+30°F	+200°F
LSH	+30°F	+250°F
LSJ	+10°F	+200°F
LSK	+10°F	+200°F
LSL	+10°F	+250°F
LSM	+30°F	+250°F
LSN	+30°F	+250°F
LSP	+10°F	+250°F
LSR	+30°F	+250°F
LSV	+10°F	+200°F
LSW	+10°F	+200°F
LST	+30 F	+170°F
LSS	+30°F	+170°F

CATALOG LISTING  
**M** LSA-LSW SERIES CHART 1  
 PAGE 10 OF 10  
 ISSUE 12  
 PSR 10JUL07  
 CHECK 11AUG04  
 REVISIONS:  
 L 0031956 BS 10JUL07  
 B 201004 CS 10 AUG 00  
 C 201748 CS 17 NOV 00  
 D 202198 CS 23 JAN 01  
 E 204871 G J W FEB 02  
 F 206581 GLH 14 OCT 02  
 G 206783 CS 31 OCT 02  
 H 207179 GLH 14 JAN 03  
 J 207474 TSM 18 FEB 03  
 K 0006871 KR 11AUG04  
 DRAWN MAM 15 JUN 94  
 CHECK JAF 11 JUL 94  
 RASTER

THIS DRAWING COVERS A PROPRIETARY ITEM AND IS THE PROPERTY OF MICRO SWITCH A DIVISION OF HONEYWELL THIS DRAWING IS NOT TO BE COPIED OR USED WITHOUT THE APPROVAL OF MICRO SWITCH

**MICRO SWITCH**  
a Honeywell Division

SWITCH - ENCLOSED

LSA-LSW SERIES  
CHART 1

FED. MFG. CODE 91929



Компания «ЭлектроПласт» предлагает заключение долгосрочных отношений при поставках импортных электронных компонентов на взаимовыгодных условиях!

Наши преимущества:

- Оперативные поставки широкого спектра электронных компонентов отечественного и импортного производства напрямую от производителей и с крупнейших мировых складов;
- Поставка более 17-ти миллионов наименований электронных компонентов;
- Поставка сложных, дефицитных, либо снятых с производства позиций;
- Оперативные сроки поставки под заказ (от 5 рабочих дней);
- Экспресс доставка в любую точку России;
- Техническая поддержка проекта, помощь в подборе аналогов, поставка прототипов;
- Система менеджмента качества сертифицирована по Международному стандарту ISO 9001;
- Лицензия ФСБ на осуществление работ с использованием сведений, составляющих государственную тайну;
- Поставка специализированных компонентов (Xilinx, Altera, Analog Devices, Intersil, Interpoint, Microsemi, Aeroflex, Peregrine, Syfer, Eurofarad, Texas Instrument, Miteq, Cobham, E2V, MA-COM, Hittite, Mini-Circuits, General Dynamics и др.);

Помимо этого, одним из направлений компании «ЭлектроПласт» является направление «Источники питания». Мы предлагаем Вам помощь Конструкторского отдела:

- Подбор оптимального решения, техническое обоснование при выборе компонента;
- Подбор аналогов;
- Консультации по применению компонента;
- Поставка образцов и прототипов;
- Техническая поддержка проекта;
- Защита от снятия компонента с производства.



#### Как с нами связаться

**Телефон:** 8 (812) 309 58 32 (многоканальный)

**Факс:** 8 (812) 320-02-42

**Электронная почта:** [org@eplast1.ru](mailto:org@eplast1.ru)

**Адрес:** 198099, г. Санкт-Петербург, ул. Калинина, дом 2, корпус 4, литера А.