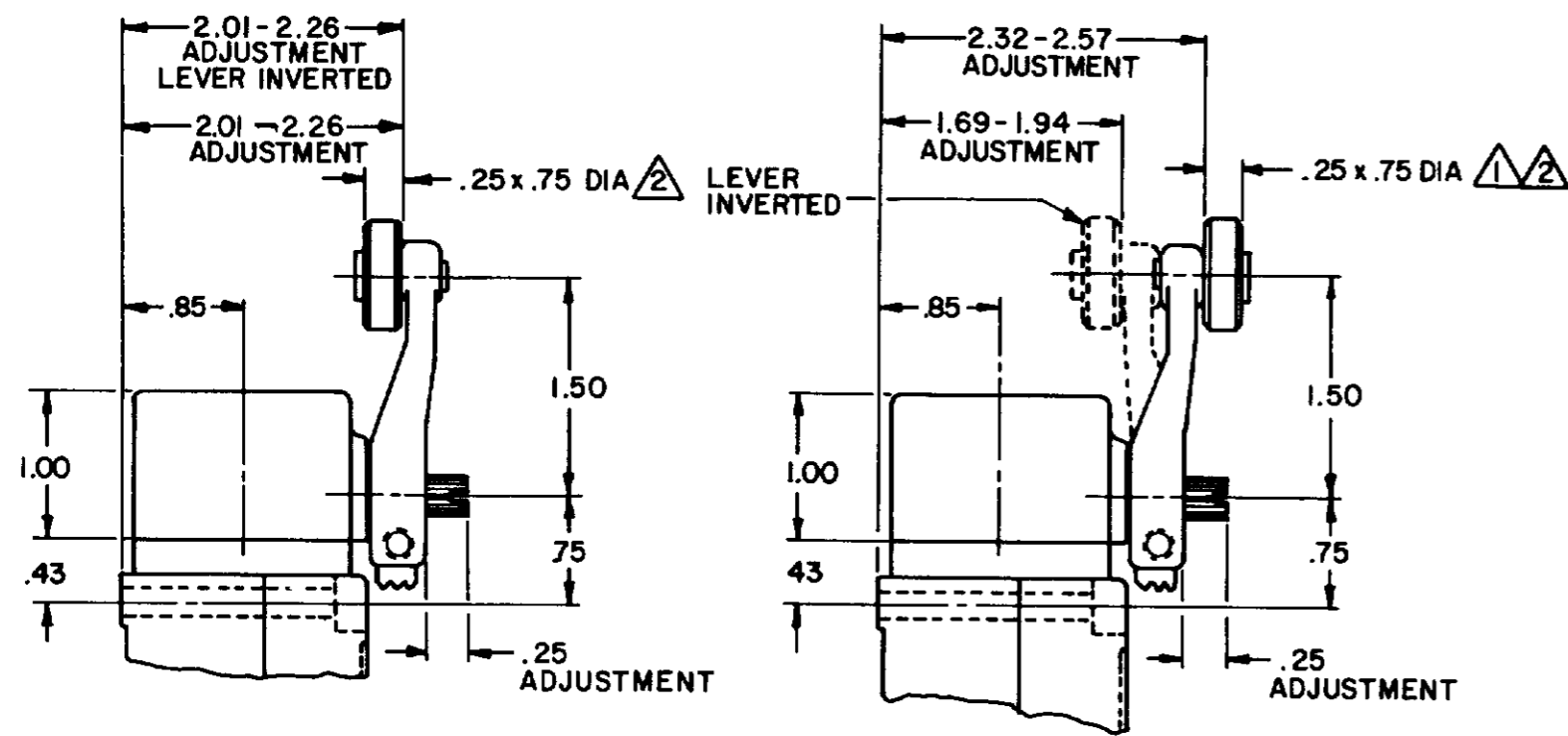
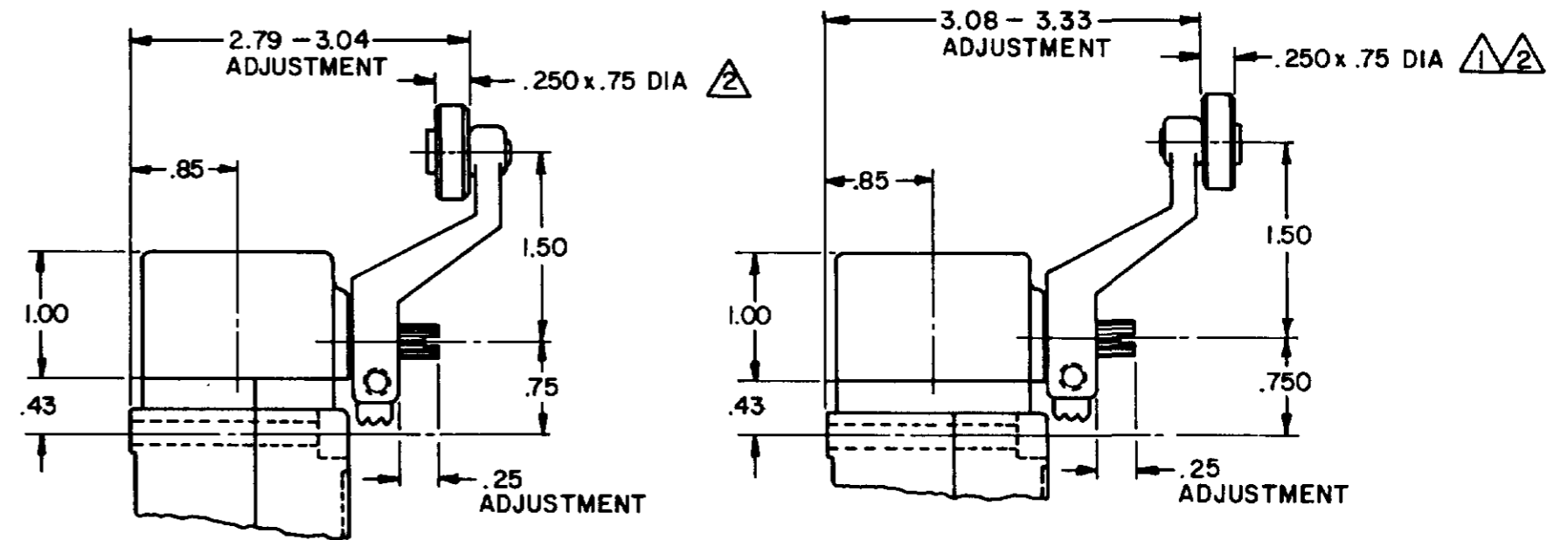


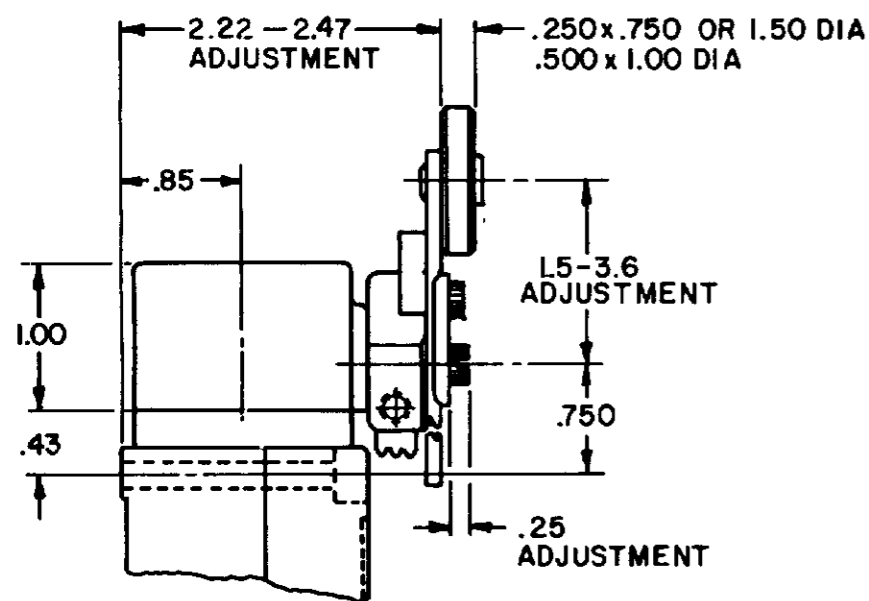
SIDE ROTARY CAM TRACKING



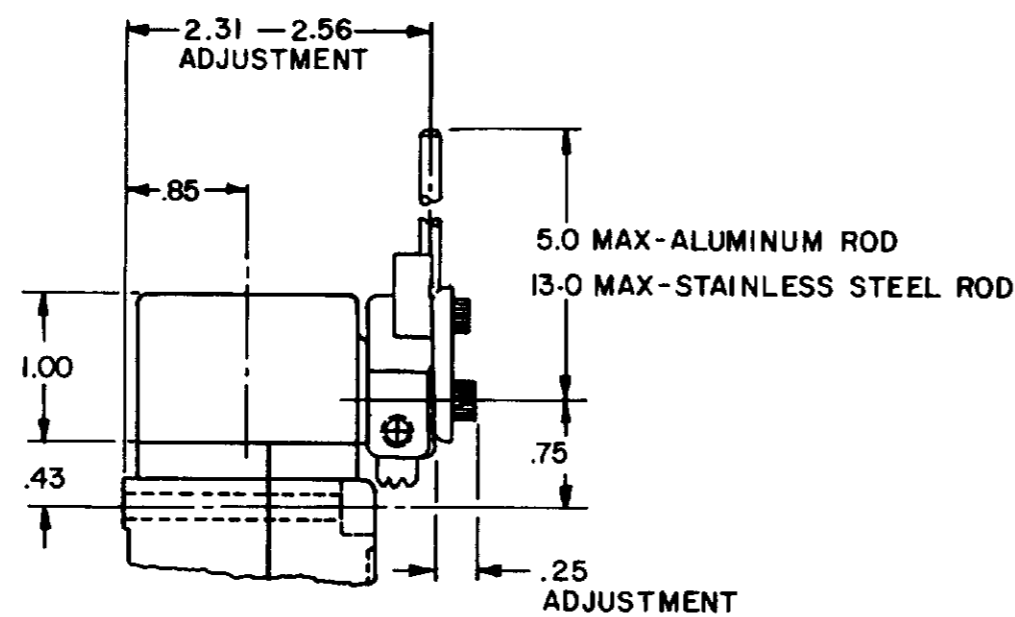
LSZ51 TYPE LEVERS



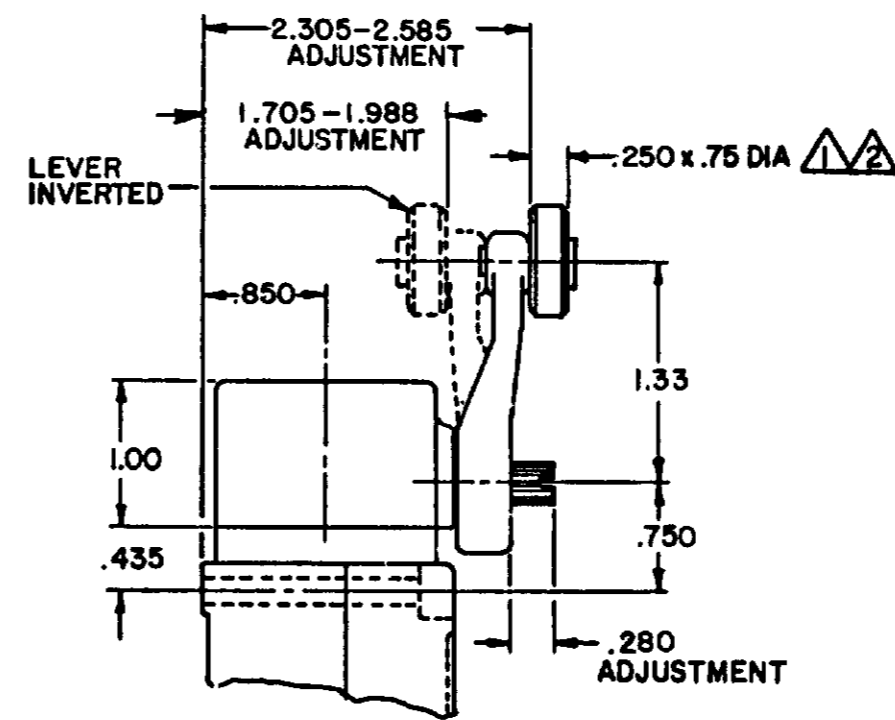
LSZ55 TYPE LEVERS



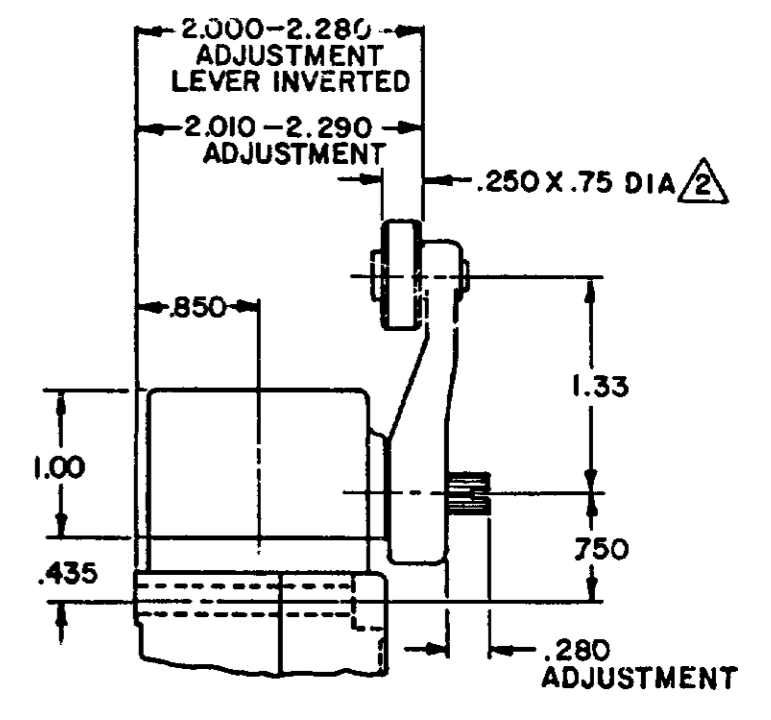
LSZ52 TYPE LEVER



LSZ54 TYPE LEVER



OPEN MOUNTED ROLLER



CLOSED MOUNTED ROLLER

LSZ59 TYPE LEVERS

NOTES

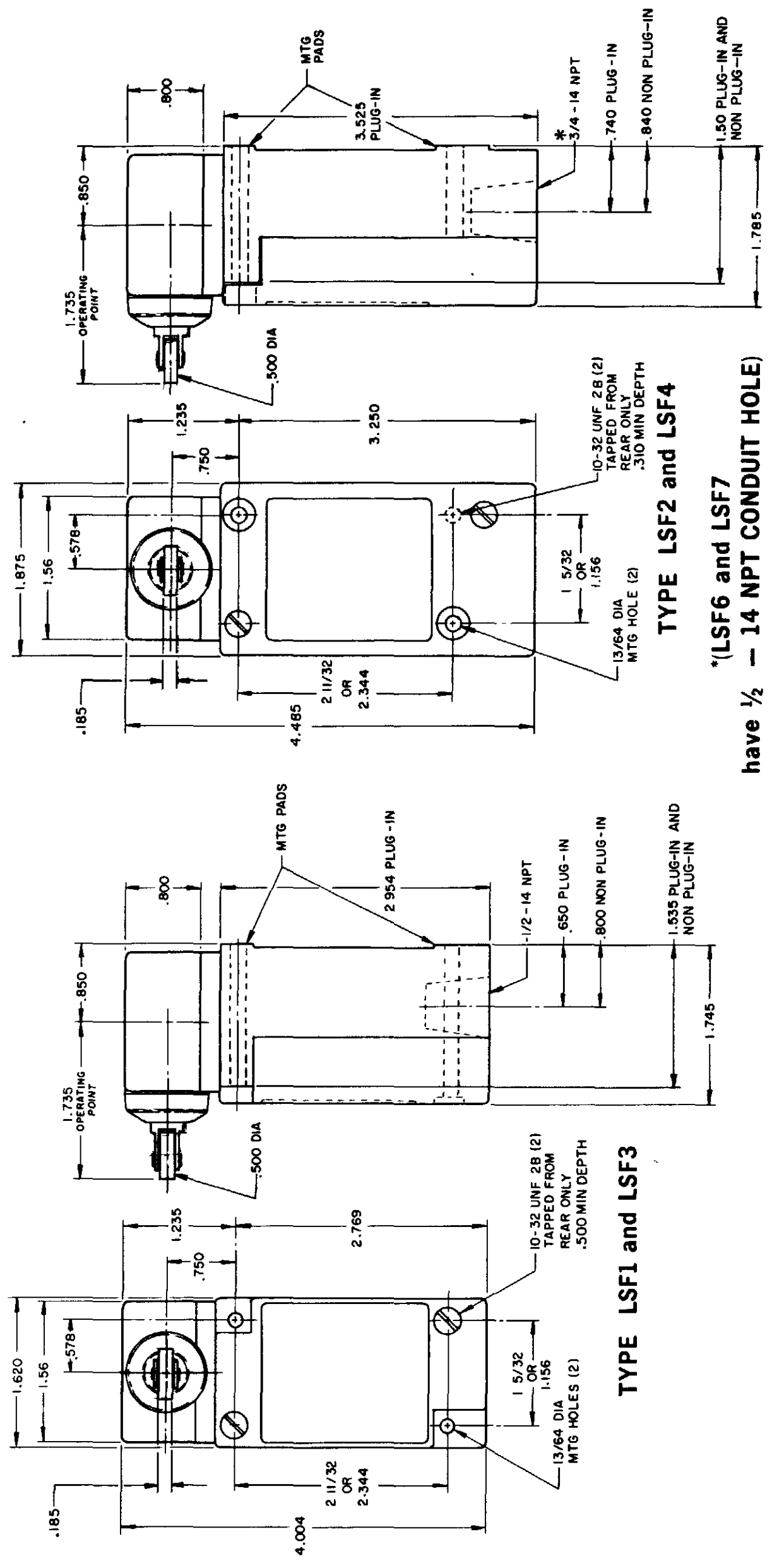
- 1 ALSO AVAILABLE IN Ø.250 X 1.500 NYLON, BUT LEVER CANNOT BE INVERTED
- 2 FOR ADDITIONAL ROLLER WIDTHS AND/OR DIAMETERS REFER TO "M" DRAWING
- 3 - FOR ADDITIONAL TYPES OF ROLLERS AND LEVERS REFER TO LSZ CHART 1 "M" DRAWING

CATALOG LISTING LSA-LSW SERIES CHART 1 PAGE 2 OF 10
 ISSUE 12
 REVISIONS: L 0031956 BS 10 JUL 07, B 201004 C.S.L. 10 AUG 00, C 201748 C.S.L. 17 NOV 00, D 202198 C.S.L. 23 JAN 01, E 204871 C.T.W. FEB 02, F 206581 G.L.H. 14 OCT 02, G 206763 C.S.L. 31 OCT 02, H 207179 G.L.H. 14 JAN 03, J 207474 S.H. 18 FEB 03, K 0006871 RR 11 MAR 04
 CHECK PSR 10 JUL 07, PSR 11 AUG 04, PSR 11 JUL 94, PSR 15 JUN 94
 REPLACES LSA-LSW SERIES CO-78498

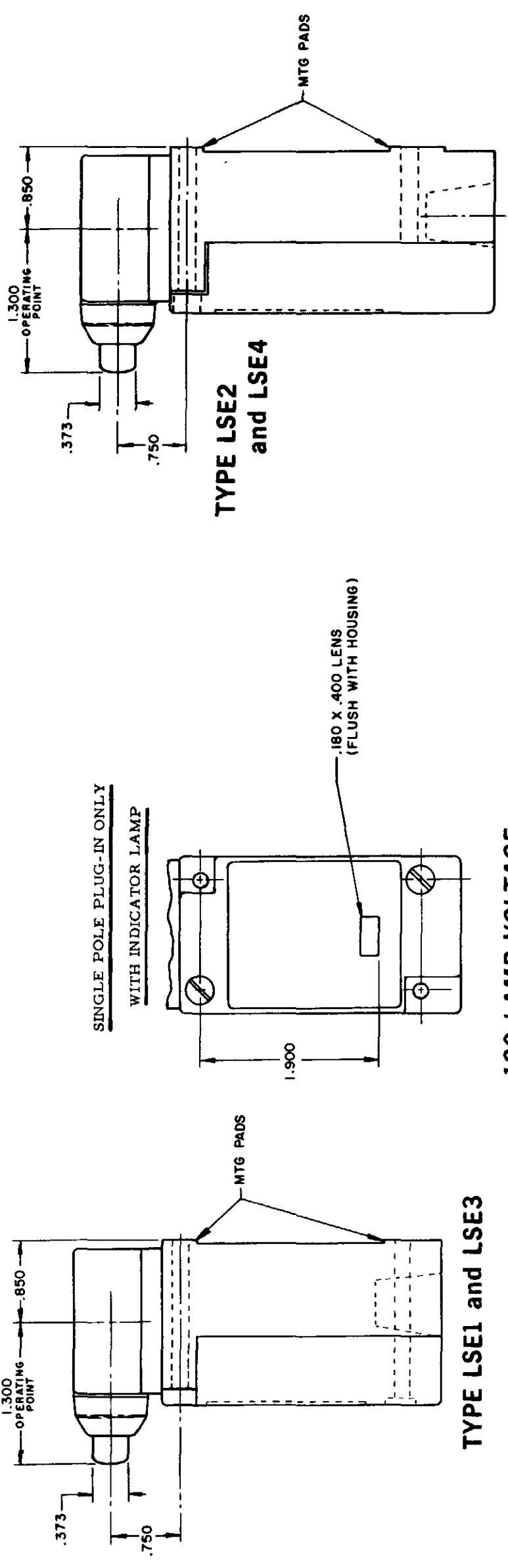
THIS DRAWING COVERS A PROPRIETARY ITEM AND IS THE PROPERTY OF MICRO SWITCH, A DIVISION OF HONEYWELL. THIS DRAWING IS NOT TO BE COPIED OR USED WITHOUT THE APPROVAL OF MICRO SWITCH.		PAGE 2 OF 10
MICRO SWITCH a Honeywell Division FED MFG CODE 91929	SWITCH - ENCLOSED	CATALOG LISTING LSA-LSW SERIES CHART 1
THIRD ANGLE PROJECTION		SCALE NONE
DO NOT SCALE PRINT		UNLESS OTHERWISE SPECIFIED TOLERANCES ARE:
ONE PLACE () ±.030		TWO PLACES (.00) ±.015
THREE PLACES (.000) ±.005		ANGLES ±
WEIGHT		()

RASTER	15 JUN 94	CHECK	JAF
DRAWN	11 JUL 94	CHECK	AK
MAM	11 AUG 04	CHECK	AK
REV	DATE	BY	DESCRIPTION
L	0031956	BS	
B	201004	10 JUL 07	
C	201748	10 AUG 00	
D	202198	17 NOV 00	
E	204871	23 JAN 01	
F	206581	09 FEB 02	
G	206763	14 OCT 02	
H	207179	31 OCT 02	
I	207474	14 JAN 03	
J	207503	18 FEB 03	
K	0006871	11 FEB 03	
L	0006871	11 FEB 03	

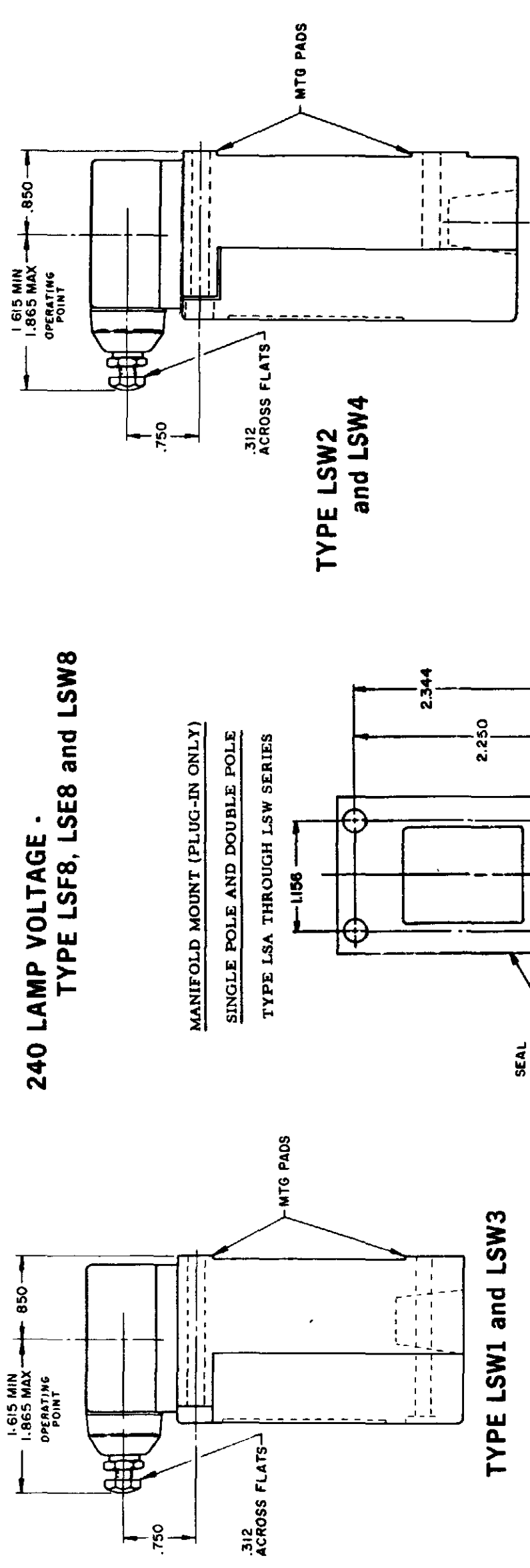
SIDE PLUNGER TYPE
SINGLE POLE **DOUBLE POLE**



TYPE LSF1 and LSF3
TYPE LSF2 and LSF4
 *(LSF6 and LSF7 have 1/2 - 14 NPT CONDUIT HOLE)



TYPE LSE1 and LSE3
TYPE LSE2 and LSE4
 120 LAMP VOLTAGE - TYPE LSF5, LSE5 and LSW5
 240 LAMP VOLTAGE - TYPE LSF8, LSE8 and LSW8



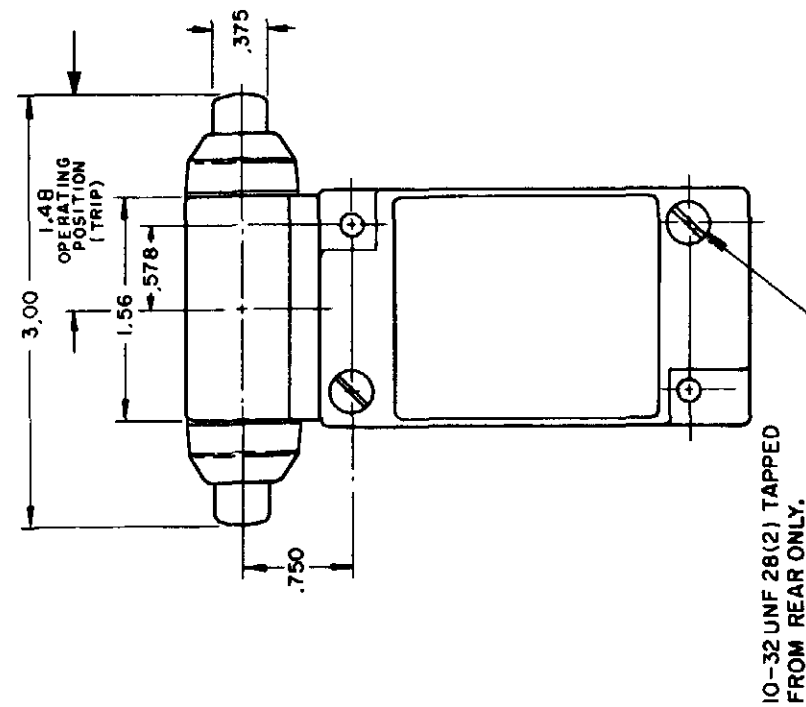
TYPE LSW1 and LSW3
TYPE LSW2 and LSW4
 MANIFOLD MOUNT (PLUG-IN ONLY)
 SINGLE POLE AND DOUBLE POLE
 TYPE LSA THROUGH LSW SERIES
 SEAL GASKET
 1/2 DIA HOLE (5/8 DIA MAX PANEL HOLE RECOMMENDED)
 NO CONDUIT HOLE

THIS DRAWING COVERS A PROPRIETARY ITEM AND IS THE PROPERTY OF MICRO SWITCH A DIVISION OF HONEYWELL THIS DRAWING IS NOT TO BE COPIED OR USED WITHOUT THE APPROVAL OF MICRO SWITCH

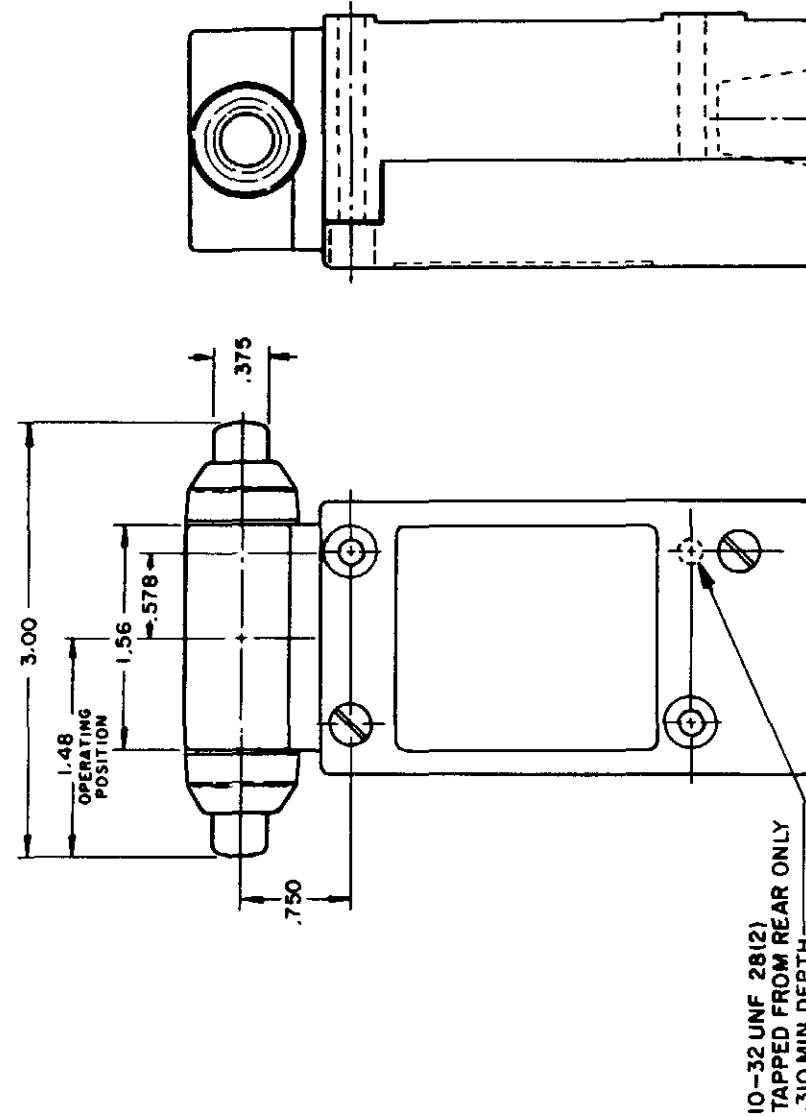
MICRO SWITCH
 a Honeywell Division

SWITCH - ENCLOSED

CATALOG LISTING
LSA-LSW SERIES
CHART 1



TYPE LSG1 and LSG3



TYPE LSG2 and LSG4

INITIAL POSITION (FREE POSITION) } PRETRAVEL
 OPERATING POINT } DIFFERENTIAL TRAVEL
 FULL TRAVEL } OVERTRAVEL

TOP PLUNGER TYPES

OPERATING POINT GIVEN IN RELATION TO TOP MOUNTING HOLE

CHARACTERISTICS	LSC PLUNGER		LSD ROLLER PLUNGER		LSV ADJ PLUNGER		SEQUENCE BASIC		
	PRETRAVEL (MAX)	.070	SINGLE POLE DOUBLE POLE	.015	SINGLE POLE DOUBLE POLE	.015	LSC	LSD	LSV
DIFFERENTIAL TRAVEL (MAX)	.015	.020	.015	.020	.015	.020	1ST STEP .070	2ND STEP .016 MIN ADD'L	.015 EACH STEP
OVERTRAVEL (MIN)	.190	.190	.190	.190	.190	.190			.170
OPERATING FORCE (MAX)	4 LBS	4 LBS	4 LBS	4 LBS	4 LBS	4 LBS			
OPERATING POINT	1.805 ± .030	2.200 ± .040	2.085 MIN	2.335 MAX	2.085 MIN	2.335 MAX	1ST STEP	2.095 MIN / 2.345 MAX	
FULL OVERTRAVEL FORCE (MAX)	7 LBS	7 LBS	7 LBS	7 LBS	7 LBS	7 LBS			

SIDE PLUNGER TYPES

OPERATING POINT GIVEN IN RELATION TO CENTER OF HEAD

CHARACTERISTICS	LSE PLUNGER		LSF ROLLER PLUNGER		LSW ADJ PLUNGER		SEQUENCE BASIC		
	PRETRAVEL (MAX)	.100	SINGLE POLE DOUBLE POLE	.045	SINGLE POLE DOUBLE POLE	.045	LSE	LSF	LSW
DIFFERENTIAL TRAVEL (MAX)	.045	.045	.045	.045	.045	.045	1ST STEP .100	2ND STEP .020 MIN ADD'L	.025 EACH STEP
OVERTRAVEL (MIN)	.190	.190	.190	.190	.190	.190			.170
OPERATING FORCE (MAX)	6 LBS	6 LBS	6 LBS	6 LBS	6 LBS	6 LBS			6 LBS
OPERATING POINT	1.300 ± .030	1.735 ± .040	ADJUSTABLE FROM	1.480 ± .030	1.480 ± .030	1.480 ± .030	1ST STEP	1.625 MIN / 1.875 MAX	
FULL OVERTRAVEL FORCE (MAX)	6 LBS	6 LBS	6 LBS	6 LBS	6 LBS	6 LBS			

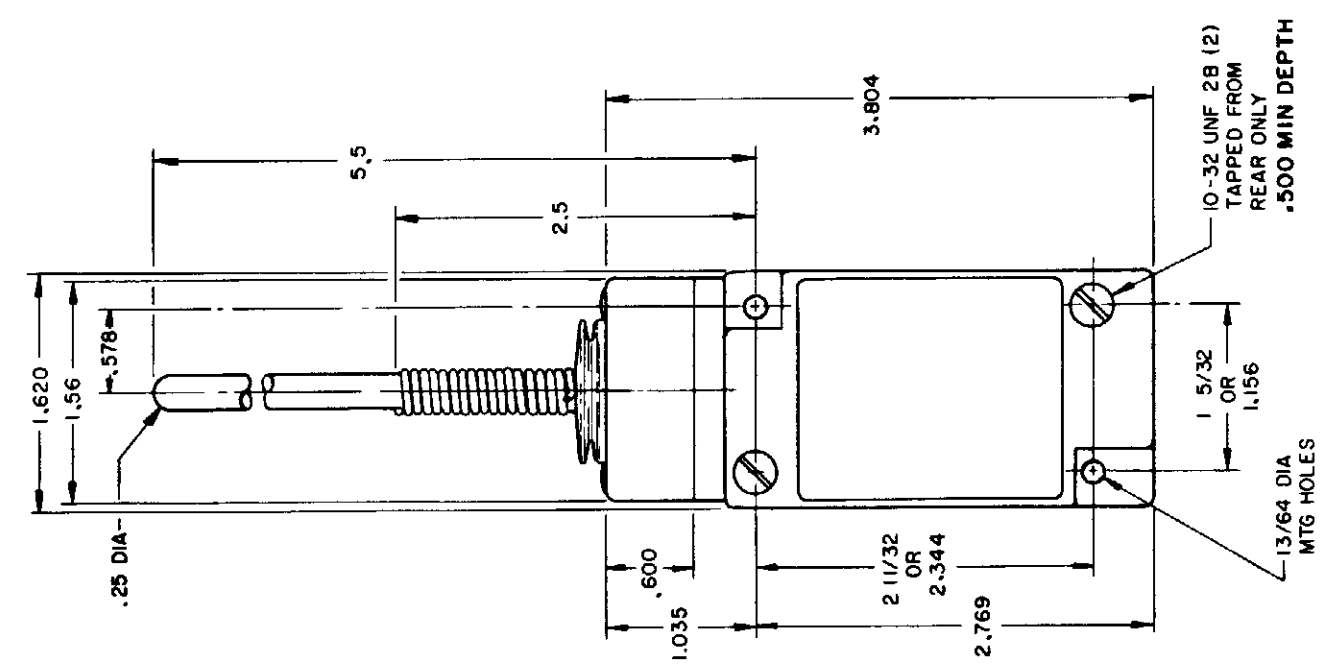
MICRO SWITCH a Honeywell Division
 SWITCH - ENCLOSED
 LSA-LSW SERIES CHART 1
 CATALOG LISTING
 THIS DRAWING COVERS A PROPRIETARY ITEM AND IS THE PROPERTY OF MICRO SWITCH A DIVISION OF HONEYWELL. THIS DRAWING IS NOT TO BE COPIED OR USED WITHOUT THE APPROVAL OF MICRO SWITCH.

SCALE NONE
 DO NOT SCALE PRINT
 DIMENSIONS ARE IN INCHES
TOLERANCES
 ONE PLACE (.0)
 TWO PLACE (.00)
 THREE PLACE (.000)
 ANGLES
 WEIGHT

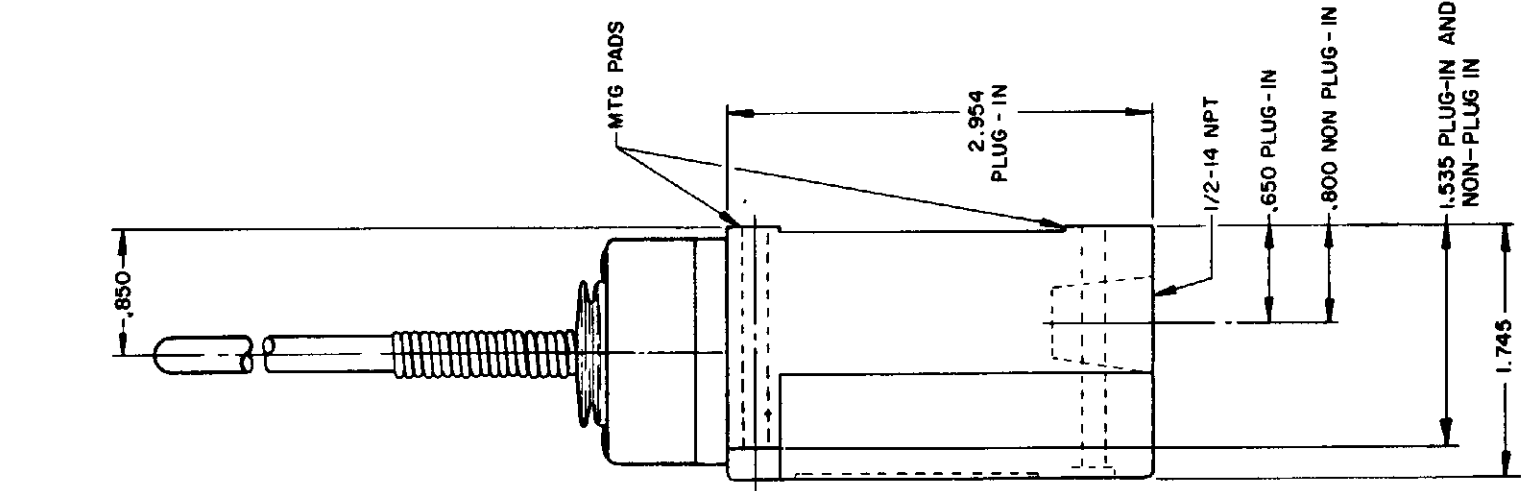
WOBBLE STICK

SINGLE POLE

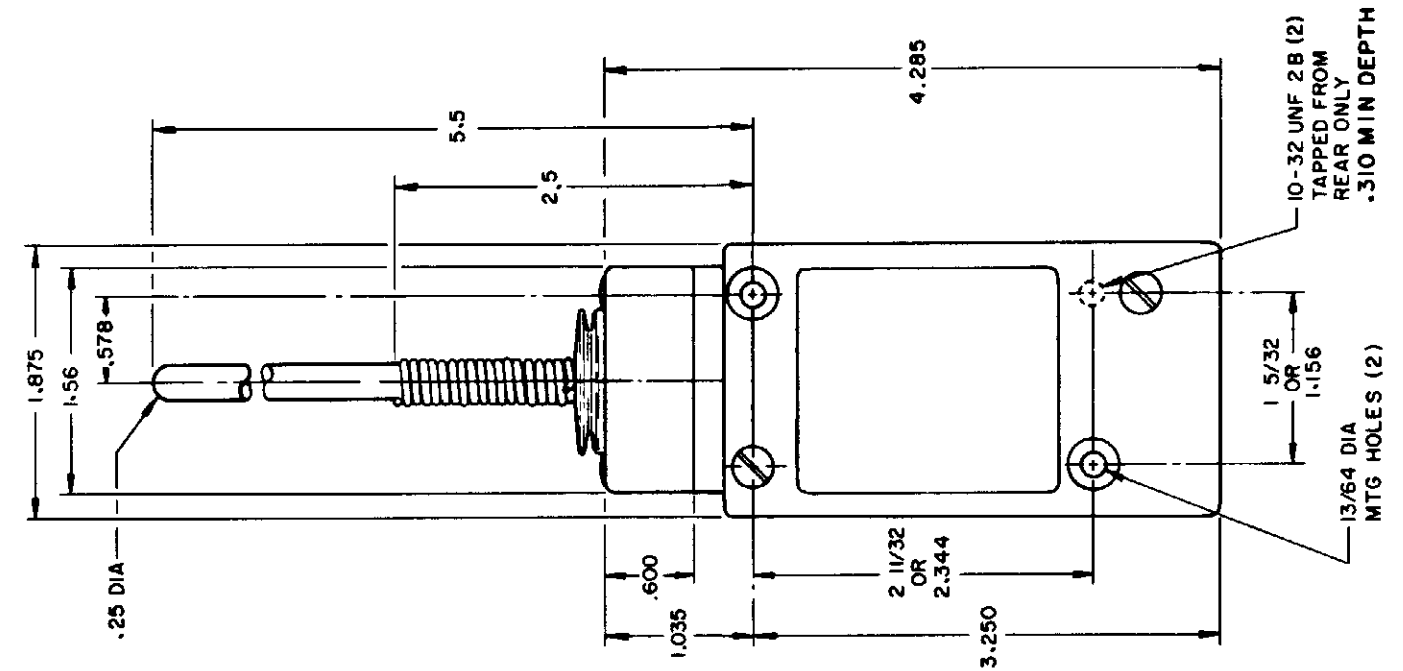
DOUBLE POLE



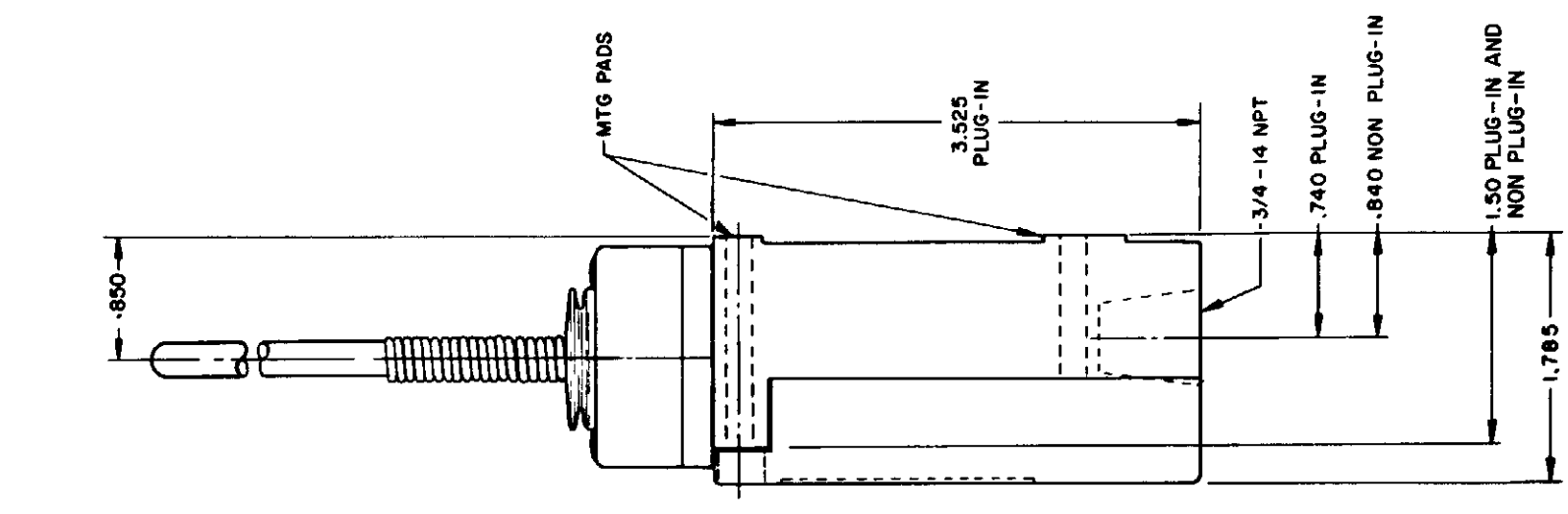
**PLASTIC EXTENSION
TYPE 7A ACTUATOR**
TYPE LSJ1 AND LSJ3



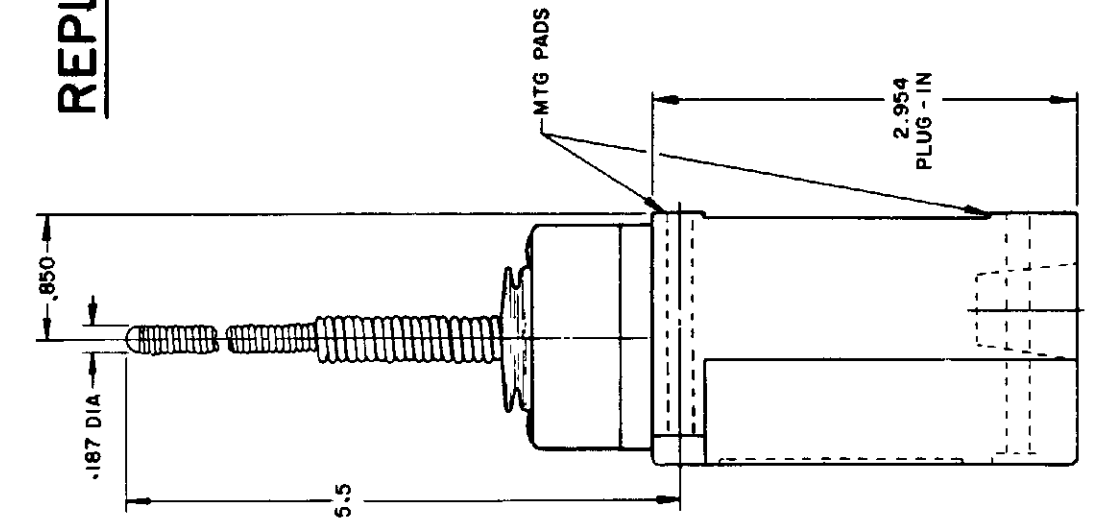
**REPLACEMENT ACTUATOR
LSZ-4009**



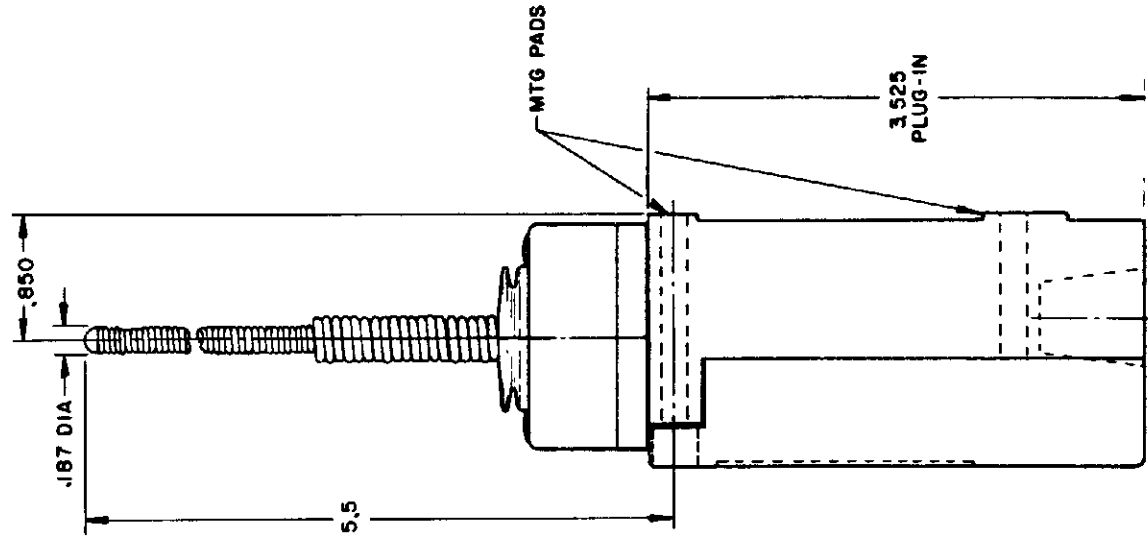
**PLASTIC EXTENSION
TYPE 7A ACTUATOR**
TYPE LSJ2 AND LSJ4
LSJ6 AND LSJ7 HAVE
1/2 - 14 NPT CONDUIT HOLE



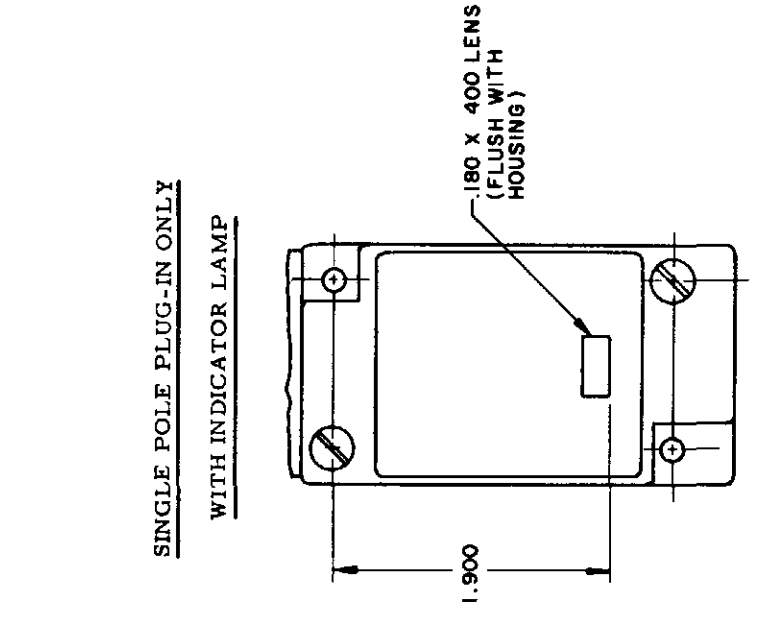
**REPLACEMENT ACTUATOR
LSZ-4011**



**CABLE EXTENSION
TYPE 7N ACTUATOR**

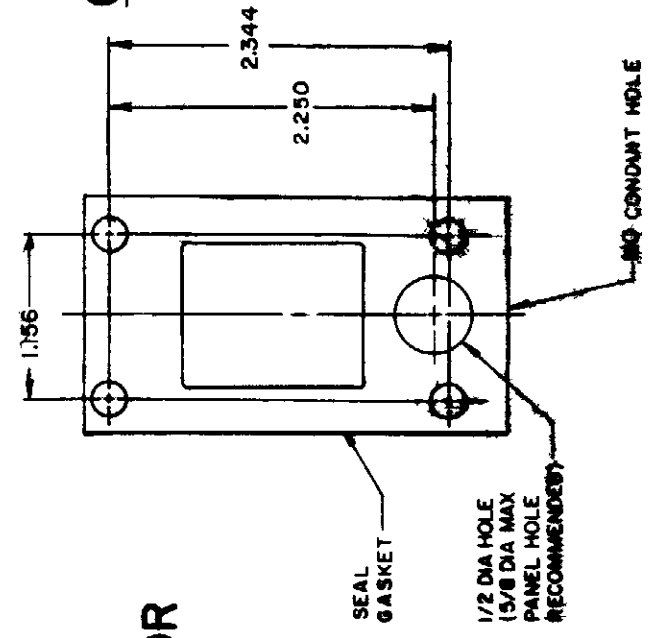


**CABLE EXTENSION
TYPE 7N ACTUATOR**



**REPLACEMENT ACTUATOR
LSZ-4009**
WITH INDICATOR LAMP
120 LAMP VOLTAGE TYPE LSJ5
240 LAMP VOLTAGE TYPE LSJ8
24 LED VOLTAGE TYPE LSJ9

MANIFOLD MOUNT (PLUG-IN ONLY)
SINGLE POLE AND DOUBLE POLE
TYPE LSA THROUGH LSW SERIES



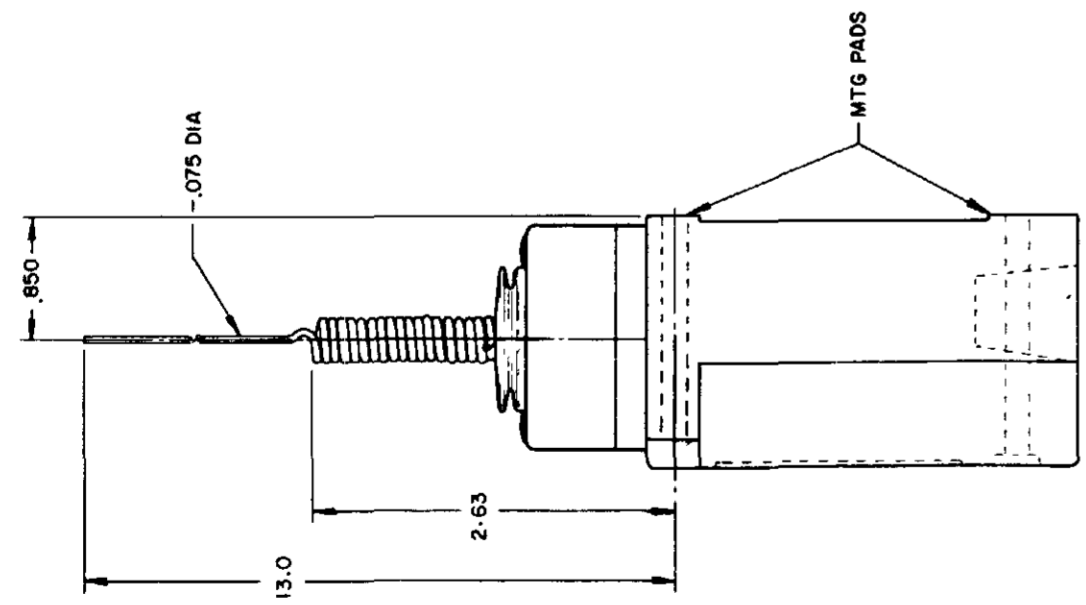
**CABLE EXTENSION
TYPE 7N ACTUATOR**

**CABLE EXTENSION
TYPE 7N ACTUATOR**

**REPLACEMENT ACTUATOR
LSZ-4011**

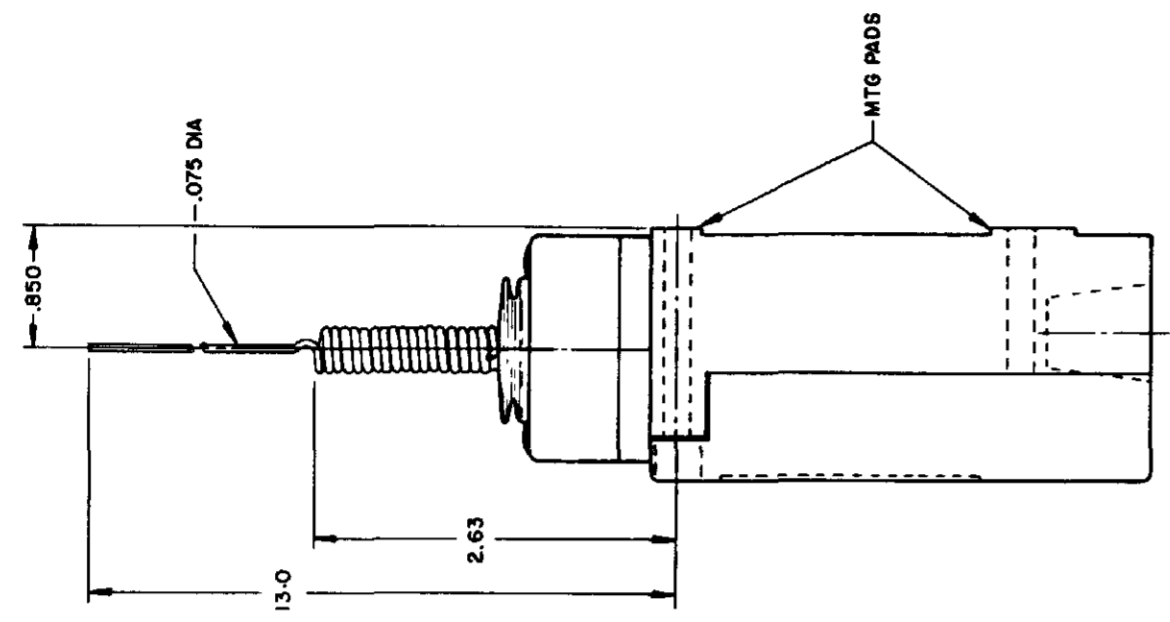
REVISIONS	
L	0031956
BS	10 JUL 07
B	201004
C	10 AUG 00
C	201748
C	17 NOV 00
D	202198
E	204871
F	206581
G	206763
H	207179
J	207474
K	0006871

11 AUG 94	AK	11 AUG 94	AK	11 JUL 94	AK	11 JUL 94	AK
11 AUG 94	AK	11 AUG 94	AK	11 JUL 94	AK	11 JUL 94	AK



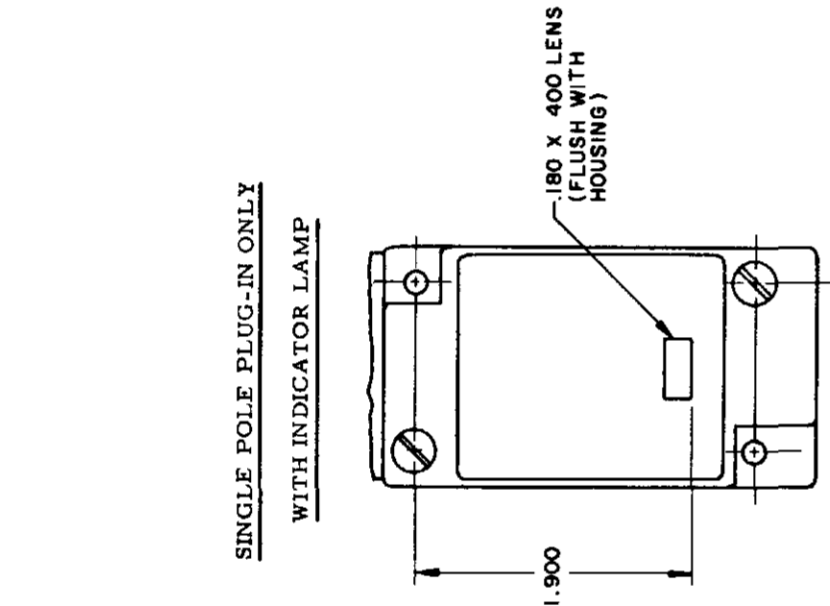
WIRE EXTENSION TYPE 7M ACTUATOR
 TYPE LSJ1 and LSJ3

REPLACEMENT ACTUATOR - LSZ 4010



WIRE EXTENSION TYPE 7M ACTUATOR
 TYPE LSJ2 and LSJ4

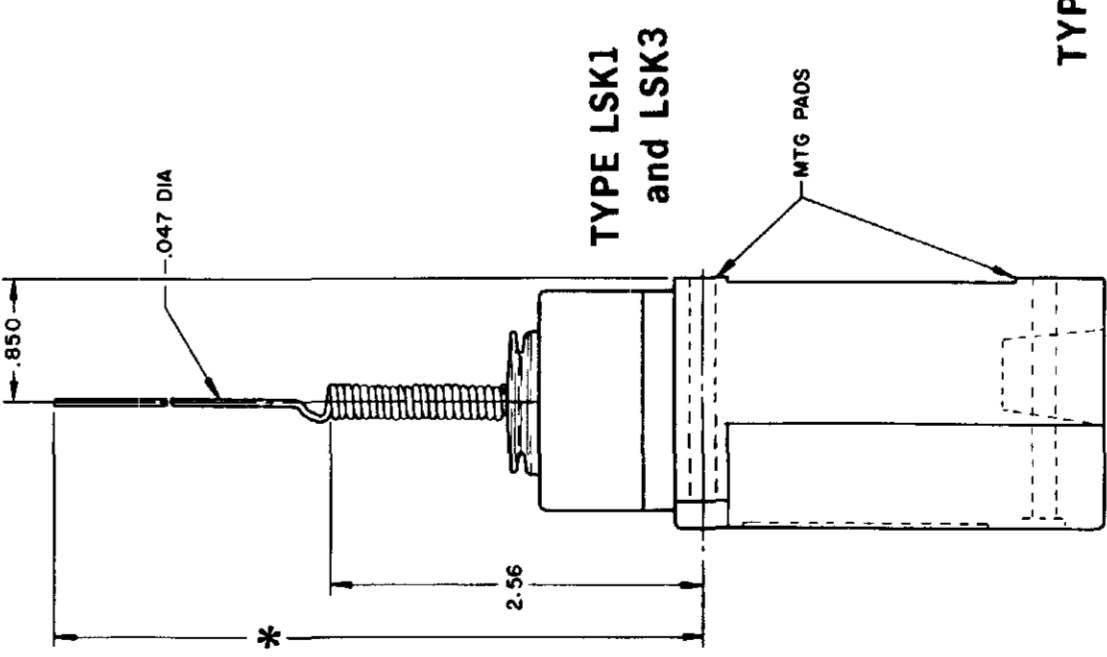
LSJ6 and LSJ7 have 1/2 - 14 NPT CONDUIT HOLE



120 LAMP VOLTAGE TYPE LSJ5
 240 LAMP VOLTAGE TYPE LSJ8

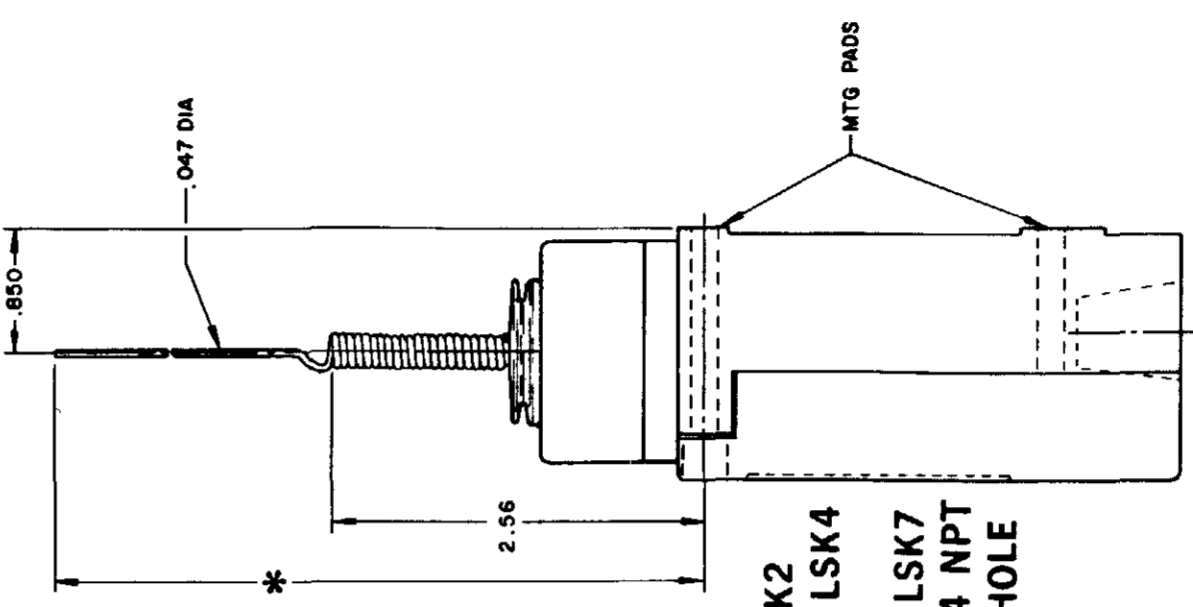
CAT WHISKER

SINGLE POLE



*** WIRE EXTENSION REPLACEMENT ACTUATOR**
 TYPE 8A ACTUATOR 5.5 IN.-LSZ 4012
 TYPE 8B ACTUATOR 7.5 IN.-LSZ 4013
 TYPE 8C COIL ACTUATOR 5.5 IN.-LSZ 4014
 ACTUATOR 9.5 IN. - LSZ 4036

DOUBLE POLE



WIRE EXTENSION

*TYPE 8A ACTUATOR 5.5 IN.
 TYPE 8B ACTUATOR 7.5 IN.
 TYPE 8C ACTUATOR 5.5 IN.
 TYPE 8D ROD ACTUATOR 5.5 IN.

THIS DRAWING COVERS A PROPRIETARY ITEM AND IS THE PROPERTY OF MICRO SWITCH A DIVISION OF HONEYWELL THIS DRAWING IS NOT TO BE COPIED OR USED WITHOUT THE APPROVAL OF MICRO SWITCH

MICRO SWITCH
 a Honeywell Division

SWITCH - ENCLOSED

CATALOG LISTING
LSA-LSW SERIES
 CHART 1

FED MFG CODE 91929

SCALE NONE
 DO NOT SCALE PRINT

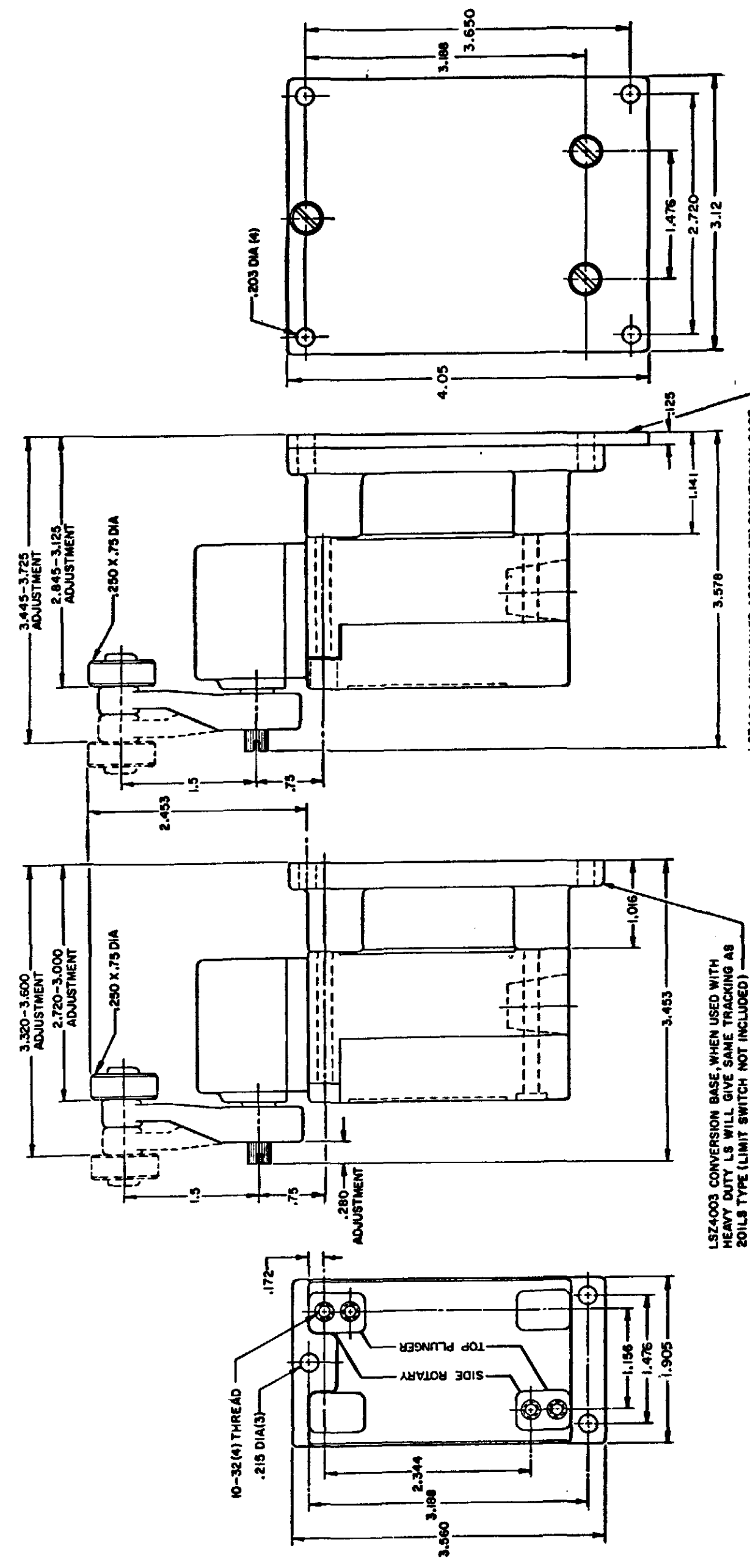
PRE-TRAVEL (APPROX) IN. RADIUS	CAT. WHISKER		WOBBLE STICK	
	5/16" COIL	7/16" WIRE	ROD	CABLE
2	2	4.5	1.0	1.5
OPERATING FORCE-OZ (MAX)	7.0	5.0	3.0	10.0
			7.0	5.0

CONVERSION BASES

SINGLE POLE (SIDE ROTARY) LSZ 4003

DOUBLE POLE (SIDE ROTARY) LSZ 4004

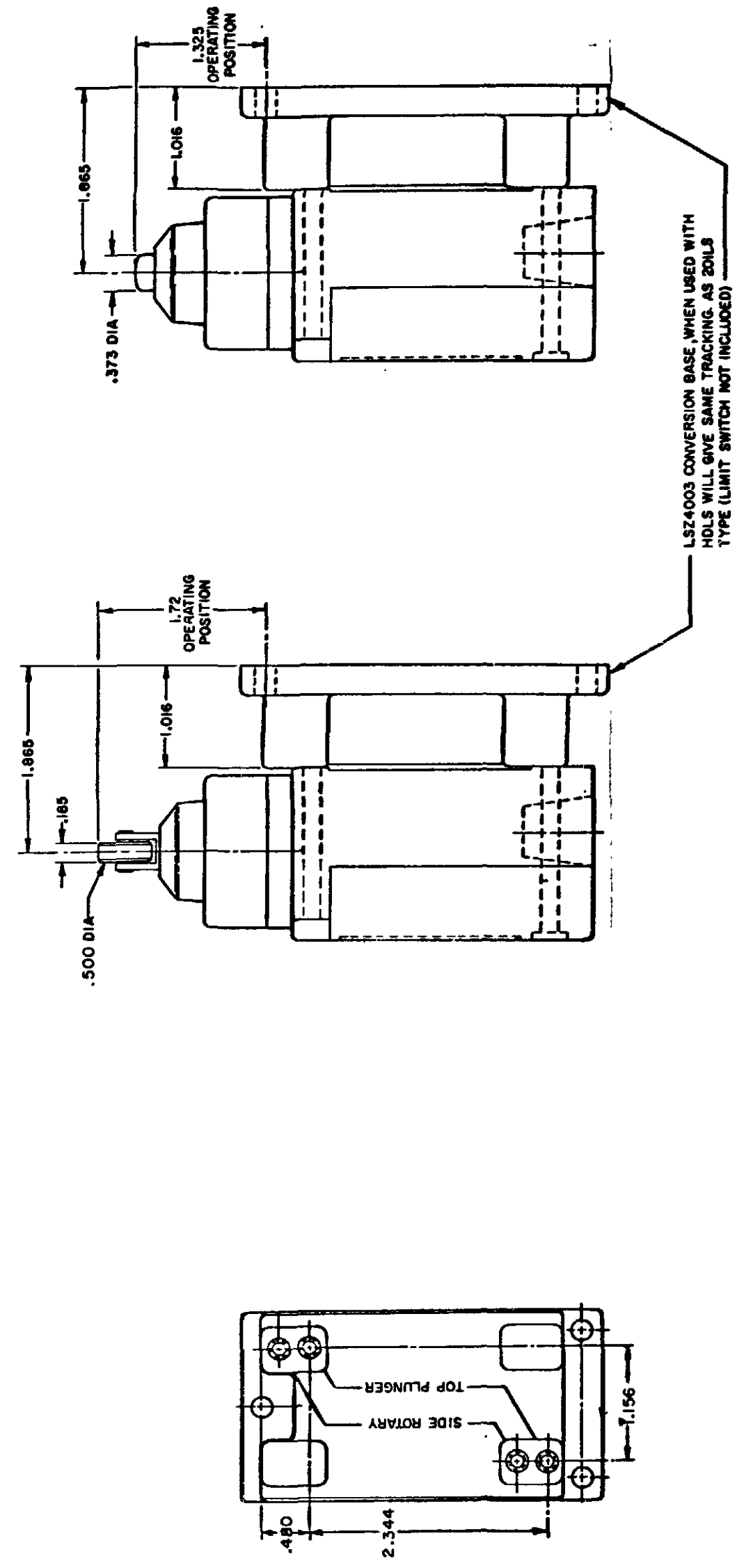
ISSUE	12	PSR	10JUL07	RELEASE NO	CO-78498	REPLACES	LSA-LSW SERIES
CATALOG LISTING	LSA-LSW SERIES CHART 1						
PAGE 9 OF 10							
REVISIONS	L	0031956	BS	10JUL07			
	B	201004	CS	10AUG00			
	C	201748	CS	23JAN01			
	D	202198	CS	17NOV00			
	E	204871	CS	204871			
	F	206581	CS	11JUL94			
	G	206763	CS	14OCT02			
	H	207179	CS	31OCT02			
	J	207474	CS	14JAN03			
	K	0006871	CS	18FEB03			
	KR	11AUG04	CS	15JUN94			



LSZ4004 (FURNISHED ASSEMBLED) CONVERSION BASE, WHEN USED WITH HOLDS WILL GIVE SAME TRACKING AS 301LS TYPE (LIMIT SWITCH NOT INCLUDED)

LSZ4003 CONVERSION BASE WHEN USED WITH HEAVY DUTY LS WILL GIVE SAME TRACKING AS 201LS TYPE (LIMIT SWITCH NOT INCLUDED)

SINGLE POLE TOP PLUNGER LSZ4003



NOTE SEE OTHER PAGES OF LSA-LSW (M) DRAWING FOR DIMENSION OF LIMITS

NOTE SEE OTHER PAGES OF LSA-LSW (M) DRAWING FOR DIMENSION OF LIMIT SWITCH

THIS DRAWING COVERS A PROPRIETARY ITEM AND IS THE PROPERTY OF MICRO SWITCH, A DIVISION OF HONEYWELL. THIS DRAWING IS NOT TO BE COPIED OR USED WITHOUT THE APPROVAL OF MICRO SWITCH.

MICRO SWITCH
a Honeywell Division

SWITCH - ENCLOSED

CATALOG LISTING
LSA-LSW SERIES
CHART 1

SCALE FULL
DO NOT SCALE PRINT

PAGE 9 OF 10

HEAD TYPE	CELLULOSE	DETERGENT	5 STAR	ASTM #1	ASTM #2	ASTM #3	ASTM #4	HOUGHTON SAFE 271	HOUGHTON SAFE 820	HOUGHTON SAFE 1010	HOUGHTON SAFE 1055	MINERAL OIL	PETR. OIL CRUDE	SILICON GR & OIL	SUNSAFE	BEER	STODDARD SOLV.	CHLORINATED SOLVENTS	CITRIC ACID	DI-ESTER SYN. LUBRICANTS	OZONE	HYDRAUL	PROGUARD	PETRO. BASE HYDRAULIC OIL	LARD OIL	SILICATE ESTERS		
LSA	4	1	1	1	1	2	1	4	1	1	1	1	1	1	1	4	1	2	4	4	4	4	1	1	2			
LSB	4	1	1	1	1	2	1	4	1	1	1	1	1	1	1	4	1	2	4	4	4	4	1	1	2			
LSC	4	2	2	1	2	4	4	2	4	2	2	1	2	1	2	4	1	4	3	4	4	2	2	2	2			
LSD	4	2	2	1	2	4	4	2	4	2	2	1	2	1	2	4	1	4	3	4	4	2	2	2	2			
LSE	4	2	2	1	2	4	4	2	4	2	2	1	2	1	2	4	1	4	3	4	4	2	2	2	2			
LSF	4	2	2	1	2	4	4	2	4	2	2	1	2	1	2	4	1	4	2	4	4	2	2	2	2			
LSG	4	2	2	1	2	4	4	2	4	2	2	1	2	1	2	4	1	4	3	4	4	2	2	2	2			
LSH	4	1	1	1	1	2	1	4	1	1	1	1	1	1	1	4	1	2	4	4	4	1	1	2	2			
LSJ	4	2	2	1	2	4	4	2	4	2	2	1	2	1	2	4	1	4	3	4	4	2	2	2	2			
LSK	4	2	2	1	2	4	4	2	4	2	2	1	2	1	2	4	1	4	3	4	4	2	2	2	2			
LSL	4	1	1	1	1	2	1	4	1	1	1	1	1	1	1	4	1	2	4	4	4	1	1	2	2			
LSM	4	1	1	1	1	2	1	4	1	1	1	1	1	1	1	4	1	2	4	4	4	1	1	2	2			
LSN	4	1	1	1	1	2	1	4	1	1	1	1	1	1	1	4	1	2	4	4	4	1	1	2	2			
LSP	4	1	1	1	1	2	1	4	1	1	1	1	1	1	1	4	1	2	4	4	4	1	1	2	2			
LSR	4	1	1	1	1	2	1	4	1	1	1	1	1	1	1	4	1	2	4	4	4	1	1	2	2			
LSV	4	2	2	1	2	4	4	2	4	2	2	1	2	1	2	4	1	4	3	4	4	2	2	2	2			
LSW	4	2	2	1	2	4	4	2	4	2	2	1	2	1	2	4	1	4	2	4	4	2	2	2	2			
LST	UNSEALED DEVICE, INTENDED TO MEET NEMA 1 ONLY																											
LSS	UNSEALED DEVICE, INTENDED TO MEET NEMA 1 ONLY																											

CODE: 1 SATISFACTORY 2 FAIR 3 DOUBTFUL 4 UNSATISFACTORY

TYPES	LOW LIMIT	HIGH LIMIT
LSA	+10°F	+250°F
LSB	+30°F	+250°F
LSC	+10°F	+200°F
LSD	+10°F	+200°F
LSE	+10°F	+200°F
LSF	+10°F	+200°F
LSG	+30°F	+200°F
LSH	+30°F	+250°F
LSJ	+10°F	+200°F
LSK	+10°F	+200°F
LSL	+10°F	+250°F
LSM	+30°F	+250°F
LSN	+30°F	+250°F
LSP	+10°F	+250°F
LSR	+30°F	+250°F
LSV	+10°F	+200°F
LSW	+10°F	+200°F
LST	+30 F	+170°F
LSS	+30°F	+170°F

CATALOG LISTING
M LSA-LSW SERIES CHART 1
 PAGE 10 OF 10
 ISSUE 12
 PSR 10JUL07
 CHECK 11AUG04
 AK
 11 JUL 94
 JAF
 11 JUN 94
 MAM
 DRAWN
 RASTER

L	0031956	BS	10JUL07
B	201004	C.S.I.	10 AUG 00
C	201748	C.S.I.	17 NOV 00
D	202198	C.S.I.	23 JAN 01
E	204871	G.J.W.	FEB 02
F	206581	GLH	14 OCT 02
G	206783	C.S.I.	31 OCT 02
H	207179	GLH	14 JAN 03
J	207474	TSM	18 FEB 03
K	0006871	KR	11AUG04

THIS DRAWING COVERS A PROPRIETARY ITEM AND IS THE PROPERTY OF MICRO SWITCH A DIVISION OF HONEYWELL THIS DRAWING IS NOT TO BE COPIED OR USED WITHOUT THE APPROVAL OF MICRO SWITCH

MICRO SWITCH
a Honeywell Division

SWITCH - ENCLOSED

LSA-LSW SERIES
CHART 1

FED. MFG. CODE 91929



Компания «ЭлектроПласт» предлагает заключение долгосрочных отношений при поставках импортных электронных компонентов на взаимовыгодных условиях!

Наши преимущества:

- Оперативные поставки широкого спектра электронных компонентов отечественного и импортного производства напрямую от производителей и с крупнейших мировых складов;
- Поставка более 17-ти миллионов наименований электронных компонентов;
- Поставка сложных, дефицитных, либо снятых с производства позиций;
- Оперативные сроки поставки под заказ (от 5 рабочих дней);
- Экспресс доставка в любую точку России;
- Техническая поддержка проекта, помощь в подборе аналогов, поставка прототипов;
- Система менеджмента качества сертифицирована по Международному стандарту ISO 9001;
- Лицензия ФСБ на осуществление работ с использованием сведений, составляющих государственную тайну;
- Поставка специализированных компонентов (Xilinx, Altera, Analog Devices, Intersil, Interpoint, Microsemi, Aeroflex, Peregrine, Syfer, Eurofarad, Texas Instrument, Miteq, Cobham, E2V, MA-COM, Hittite, Mini-Circuits, General Dynamics и др.);

Помимо этого, одним из направлений компании «ЭлектроПласт» является направление «Источники питания». Мы предлагаем Вам помощь Конструкторского отдела:

- Подбор оптимального решения, техническое обоснование при выборе компонента;
- Подбор аналогов;
- Консультации по применению компонента;
- Поставка образцов и прототипов;
- Техническая поддержка проекта;
- Защита от снятия компонента с производства.



Как с нами связаться

Телефон: 8 (812) 309 58 32 (многоканальный)

Факс: 8 (812) 320-02-42

Электронная почта: org@eplast1.ru

Адрес: 198099, г. Санкт-Петербург, ул. Калинина, дом 2, корпус 4, литера А.