

NCP1090, NCP1091, NCP1092

Integrated IEEE 802.3af PoE-PD Interface Controller

Description

The NCP1090, NCP1091 and NCP1092 are members of ON Semiconductor's high power HIPO™ Power over Ethernet Powered Device (PoE-PD) product family and integrate an IEEE 802.3af PoE-PD interface controller.

The 3 variants all incorporate the required functions as such detection, classification, under voltage lockout, inrush and operational current limit. A power good signal has been added to guarantee a good enabling/disabling of the DC-DC controller. In addition, the NCP1091 offers a programmable under-voltage while the NCP1092 provide an auxiliary pin for applications supporting auxiliary supplies.

The NCP1090, NCP1091 and NCP1092 are fabricated in a robust high voltage process and integrates a rugged vertical N-channel DMOS suitable for the most demanding environments and capable of withstanding harsh environments such as hot swap and cable ESD events.

The NCP1090, NCP1091 and NCP1092 complement ON Semiconductor's ASSP portfolio in industrial devices and can be combined with stepper motor drivers, CAN bus drivers and other high-voltage interfacing devices to offer complete solutions to the industrial and security market.

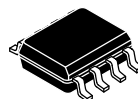
Features

- Fully Supports IEEE 802.3af Specifications
- Programmable Classification Current
- Adjustable Under Voltage Lock Out (NCP1091 Only)
- Open-Drain Power Good Indicator
- 130 mA Inrush Current Limit
- 500 mA Operational Current Limit
- Pass Switch Disabling Input for Rear Auxiliary Supply Operation (NCP1092 Only)
- Over-temperature Protection
- Industrial Temperature Range -40°C to 85°C with Full Operation up to 125°C Junction Temperature
- 0.5 Ω Hot-swap Pass-switch
- Vertical N-channel DMOS Pass-switch Offers the Robustness of Discrete MOSFETs



ON Semiconductor®

<http://onsemi.com>

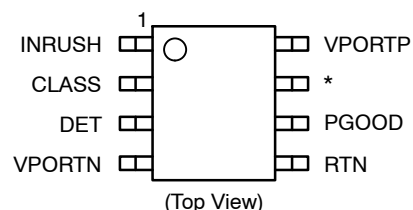


SOIC-8
S SUFFIX
CASE 751AZ

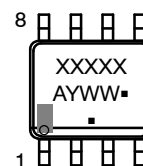


TSSOP-8
T SUFFIX
CASE 948S

PIN CONFIGURATION



* NCP1090 = NC
NCP1091 = UVLO
NCP1092 = AUX



XXXXXX = Specific Device Code
A = Assembly Location
Y = Year
WW = Work Week
▪ = Pb-Free Package

ORDERING INFORMATION

Device	Package	Shipping†
NCP109xxxx	SOIC-8 (Pb-Free)	2500/Tape & Reel
NCP109xxxx	TSSOP-8 (Pb-Free)	2500/Tape & Reel

†For information on tape and reel specifications, including part orientation and tape sizes, please refer to our Tape and Reel Packaging Specification Brochure, BRD8011/D.

NCP1090, NCP1091, NCP1092

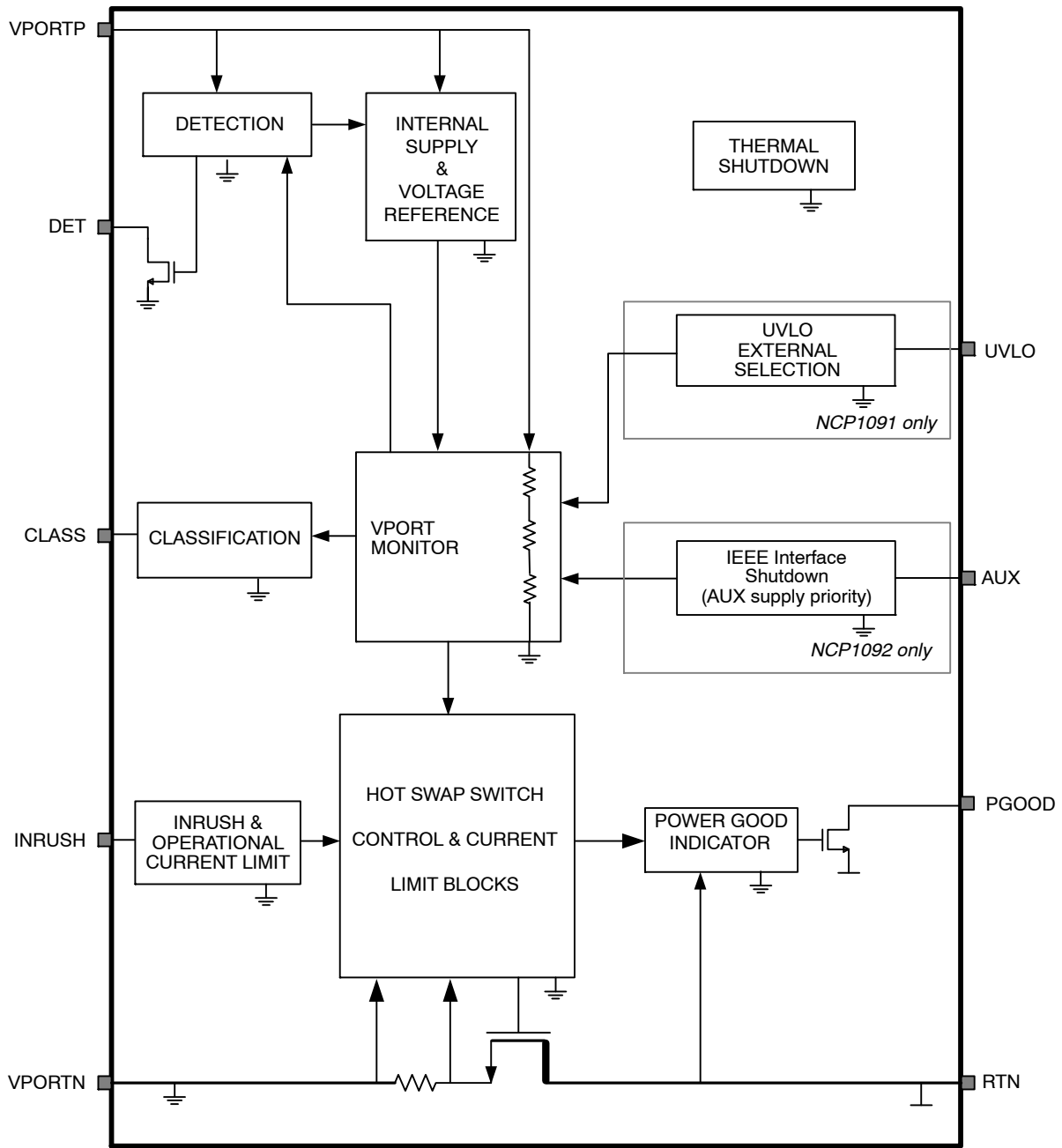


Figure 1. NCP1090/91/92 Functional Block Diagram

Simplified Application Diagrams

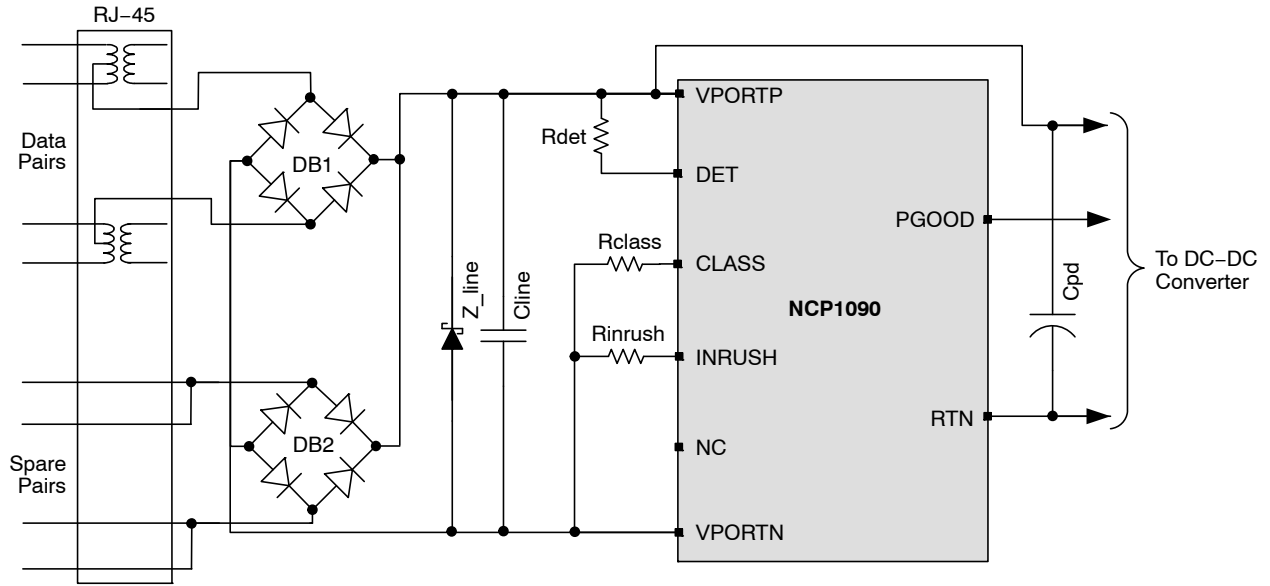


Figure 2. Typical Application Circuit using the NCP1090

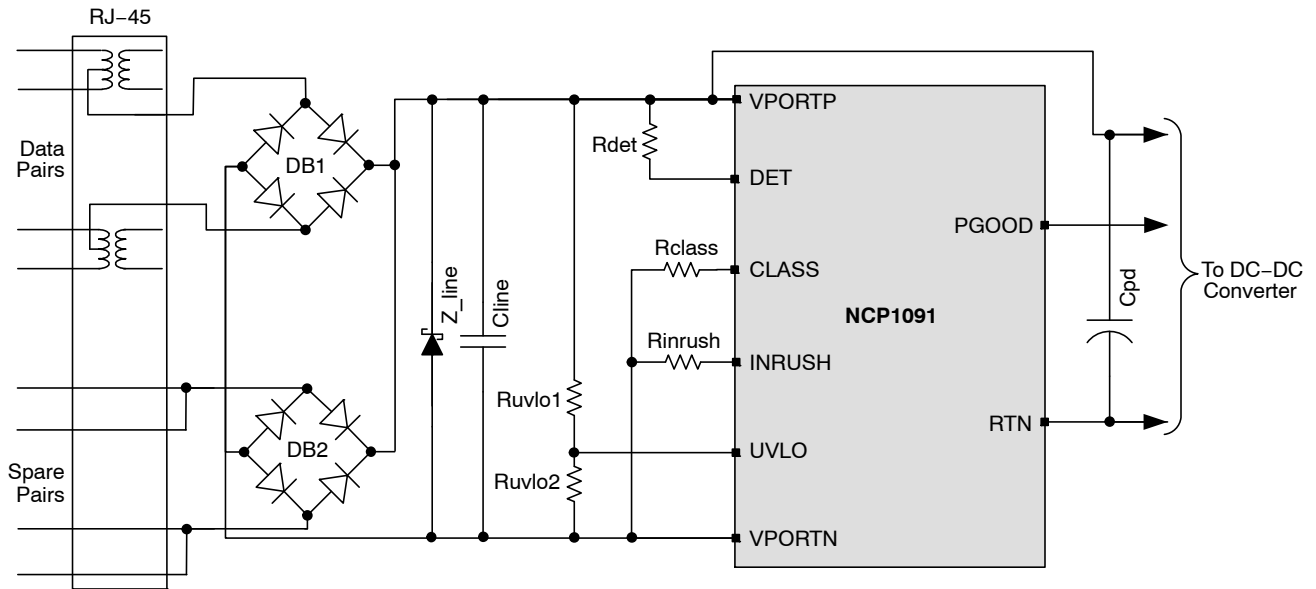


Figure 3. Typical Application Circuit using the NCP1091 with External UVLO Setting

NCP1090, NCP1091, NCP1092

Table 1. PIN DESCRIPTION

Name	Pin No.			Type	Description
	NCP1090	NCP1091	NCP1092		
INRUSH	1	1	1	Output	Current limit programming pin. Connect a resistor between INRUSH and VPORTN.
CLASS	2	2	2	Output	Classification current programming pin. Connect a resistor between CLASS and VPORTN.
DET	3	3	3	Output, Open Drain	Detection pin. Connect a 24.9 kΩ resistor between DET and VPORTP for a valid PD detection signature.
VPORTN	4	4	4	Ground	Negative input power. Connected to the source of the internal pass-switch
RTN	5	5	5	Ground	DC-DC controller power return. Connected to the drain of the internal pass-switch
PGOOD	6	6	6	Output, Open Drain	Open Drain Power Good Indicator. Pin is in HZ mode when the power good signal is active.
NC	7	-	-	-	No connection
UVLO	-	7	-	Input	Under-voltage lockout input. Voltage with respect to VPORTN. Connect a resistor-divider from VPORTP to UVLO to VPORTNx to set an external UVLO threshold.
AUX	-	-	7	Input	Auxiliary Pin. When this pin is pulled up, the Pass Switch is disabled and allows a supply transition from PSE to the rear auxiliary supply connected between VPORTP and RTN.
VPORTP	8	8	8	Input	Positive input power. Voltage with respect to VPORTN.

Operating Conditions

Table 2. ABSOLUTE MAXIMUM RATINGS

Symbol	Parameter	Min	Max	Units	Conditions
VPORTP	Input power supply	-0.3	72	V	Voltage with respect to VPORTN
RTN	Analog ground supply 2	-0.3	72	V	Pass-switch in off-state (voltage with respect to VPORTN)
CLASS	Analog output	-0.3	72	V	Voltage with respect to VPORTN
INRUSH	Analog output	-0.3	3.6	V	Voltage with respect to VPORTN
AUX	Analog input	-0.3	72	V	Voltage with respect to VPORTN
UVLO	Analog input	-0.3	3.6	V	Voltage with respect to VPORTN
PGOOD	Analog output	-0.3	72	V	Voltage with respect to RTN
T _a	Ambient temperature	-40	85	°C	
T _j	Junction temperature	-	125	°C	
T _j -TSD	Junction temperature (Note 1)	-	175	°C	Thermal shutdown condition
T _{stg}	Storage Temperature	-55	150	°C	
T _{θJA}	Thermal Resistance, Junction to Air (Note 2)	150 160	240 260	°C/W	SOIC-8 TSSOP-8
ESD-HBM	Human Body Model	2		kV	per EIA-JESD22-A114 standard
ESD-CDM	Charged Device Model	500		V	per ESD-STM5.3.1 standard
ESD-MM	Machine Model	200		V	per EIA-JESD22-A115-A standard
LU	Latch-up	±100		mA	per JEDEC Standard JESD78

Stresses exceeding Maximum Ratings may damage the device. Maximum Ratings are stress ratings only. Functional operation above the Recommended Operating Conditions is not implied. Extended exposure to stresses above the Recommended Operating Conditions may affect device reliability.

1. T_j-TSD allowed during error conditions only. It is assumed that this maximum temperature condition does not occur more than 1 hour cumulative during the useful life for reliability reasons.
2. Low θ_{JA} is obtained with 2S2P test board (2 signal - 2 plane). High θ_{JA} is obtained with double sideboard with minimum pad area and natural convection. Refer to Jedec JESD51 for details.

NCP1090, NCP1091, NCP1092

Recommended Operating Conditions

Operating conditions define the limits for functional operation and parametric characteristics of the device. Note that the functionality of the device outside the operating conditions described in this section is not warranted. Operating outside the recommended operating conditions for extended periods of time may affect device reliability.

Table 3. OPERATING CONDITIONS (All values are with respect to VPORTN unless otherwise noted.)

Symbol	Parameter	Min	Typ	Max	Units	Conditions
INPUT SUPPLY						
VPORT	Input supply voltage	0		57	V	VPORT = VPORTP – VPORTN

SIGNATURE DETECTION

Offset_det1	$I_{(VPORTP)} + I_{(RTN)}$		2	5	μA	VPORTP = RTN = 1.9 V Rdet = 24.9 K Ω
Sleep_det1	$I_{(VPORTP)} + I_{(RTN)}$		15	21	μA	VPORTP = RTN = 9.8 V Rdet = 24.9 K Ω
Offset_det2	$I_{(VPORTP)} + I_{(RTN)} + I_{(DET)}$	73	77	81	μA	VPORTP = RTN = 1.9 V Rdet = 24.9 K Ω
Sleep_det2	$I_{(VPORTP)} + I_{(RTN)} + I_{(DET)}$	390	400	412	μA	VPORTP = RTN = 9.8 V Rdet = 24.9 K Ω

CLASSIFICATION

Vcl_on	Classification current turn-on lower threshold	9.8	11.3	13	V	VPORTP rising
Vcl_off	Classification current turn-off upper threshold	21		24	V	VPORTP rising
Vclass_reg	Classification buffer output voltage		9.8		V	13 V < VPORTP < 21 V
Icl_bias	$I_{(vportp)}$ quiescent current during classification		600		μA	$I_{(class)}$ excluded 13 V < VPORTP < 21 V
Iclass0	Class 0: Rclass 4420 Ω (Note 3)	0	–	4	mA	13 V < VPORTP < 21 V
Iclass1	Class 1: Rclass 953 Ω (Note 3)	9	–	12	mA	13 V < VPORTP < 21 V
Iclass2	Class 2: Rclass 549 Ω (Note 3)	17	–	20	mA	13 V < VPORTP < 21 V
Iclass3	Class 3: Rclass 357 Ω (Note 3)	26	–	30	mA	13 V < VPORTP < 21 V
Iclass4	Class 4: Rclass 255 Ω (Note 3)	36	–	44	mA	13 V < VPORTP < 21 V

UVLO – INTERNAL SETTING – NCP1090/91/92

Vuvlo_on	Default turn on voltage	–	37	40	V	VPORTP rising
Vuvlo_off	Default turn off voltage	29.6	31	–	V	VPORTP falling
Vhyst_int	UVLO internal hysteresis	–	6	–	V	
Uvlo_filter	UVLO On / Off filter time	–	100	–	μS	For information only

UVLO – EXTERNAL SETTING – NCP1091 ONLY

Vuvlo_pr	UVLO external programming range	25	–	50	V	VPORTP rising
Vuvlo_on2	External UVLO turn on voltage	1.14	1.2	1.26	V	
Vhyst_off2	External UVLO turn off voltage	0.95	1	1.05	V	
Uvlo_ipd	UVLO internal pull down current	–	2.5	–	μA	

AUXILIARY SUPPLY SETTING – NCP1092 ONLY

Aux_h	AUX input high level voltage	3.1	–		V	
Aux_l	AUX input low level voltage	–	–	0.6	V	
Aux_pd	AUX internal pull down resistor	100	–	–	K Ω	For information only

3. A tolerance of 1% on the Rclass resistor is included in the min/max values.

NCP1090, NCP1091, NCP1092

Table 3. OPERATING CONDITIONS (All values are with respect to VPORTN unless otherwise noted.)

Symbol	Parameter	Min	Typ	Max	Units	Conditions
PASS-SWITCH AND CURRENT LIMITING						
R _{on}	Pass-switch R _{ds-on}	–	0.5	1	Ω	Measured with I(RTN) = 200 mA
I _{inrush}	Inrush current with R _{inrush} = 178 kΩ	75	120	170	mA	Measured at RTN-VPORTN = 3 V
I _{ilim}	Operating current limit with R _{inrush} = 178 kΩ	425	500	575	mA	Current limit threshold
POWER GOOD INDICATOR						
V _{ds_pgood_on}	RTN-VPORTN threshold voltage required for power good status	0.8	1	1.2	V	RTN-VPORTN falling
V _{ds_pgood_off}	RTN-VPORTN latching threshold voltage	9	10	11	V	RTN-VPORTN rising
P _{good_filter}	PGOOD filter time		100		μs	Rising and falling / for information only
I _{pgood}	I(PGOOD) sinking current	–	–	5	mA	
V _{pgood_low}	PGOOD voltage output low	–	0.2	0.5	V	Voltage with respect to RTN
CURRENT CONSUMPTION						
I _{vportP}	I(VPORTP) internal current consumption	–	600	900	μA	VPORTP = 48 V
THERMAL SHUTDOWN						
TSD	Thermal shutdown threshold	150	–	–	°C T _j	T _j = junction temperature
Thyst	Thermal hysteresis	–	15	–	°C T _j	T _j = junction temperature
THERMAL RATINGS						
T _a	Ambient temperature	–40	–	85	°C	
T _j	Junction temperature	–	–	125	°C	

3. A tolerance of 1% on the R_{class} resistor is included in the min/max values.

Description of Operation

Powered Device Interface

The integrated PD interface supports the IEEE 802.3af defined operating modes: detection signature, current source classification, undervoltage lockout, inrush and operating current limits. The following sections give an overview of these previous processes.

Detection

During the detection phase, the incremental equivalent resistance seen by the PSE through the cable must be in the IEEE 802.3af standard specification range (23.70 kΩ to 26.30 kΩ) for a PSE voltage from 2.7 V to 10.1 V. In order to compensate for the non-linear effect of the diode bridge and satisfy the specification at low PSE voltage, the NCP1090/91/92 present a suitable impedance in parallel with the 24.9 kΩ Rdet external resistor. For some types of diodes (especially Schottky diodes), it may be necessary to adjust this external resistor.

The Rdet resistor has to be inserted between VPORTP and DET pins. During the detection phase, the DET pin is pulled to ground and goes in high impedance mode (open-drain) once the device exit this mode, reducing thus the current consumption on the cable.

Classification

Once the PSE device has detected the PD device, the classification process begins. In classification, the PD regulates a constant current source that is set by the external resistor RCLASS value on the CLASS pin. Figure 4 shows the schematic overview of the classification block. The current source is defined as:

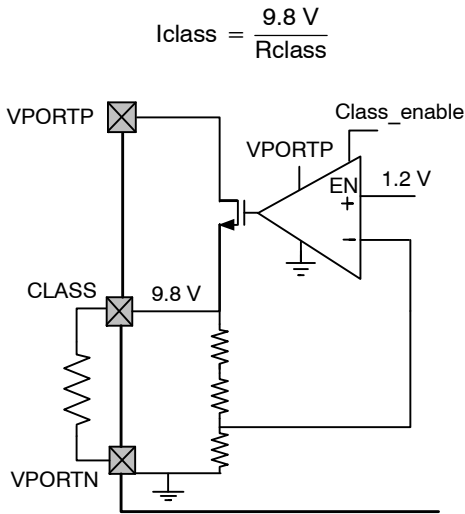


Figure 4. Classification Block Diagram

Power Mode

When the classification hand-shake is completed, the PSE and PD devices move into the operating mode.

Under Voltage Lock Out (UVLO)

The NCP1090/91/92 incorporate a fixed under voltage lock out (UVLO) circuit which monitors the input voltage and determines when to turn on the pass switch and charge the dc-dc converter input capacitor before the power up of the application.

The NCP1091 offers a fixed or adjustable Vuvlo_on threshold depending if the UVLO pin is used or not. In Figure 5, the UVLO pin is strapped to ground and the Vuvlo_on threshold is defined by the internal level.

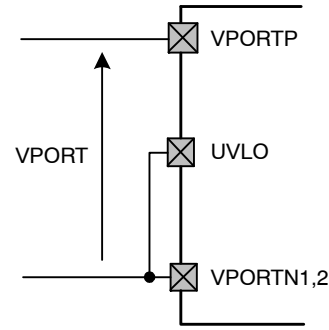


Figure 5. Default Internal UVLO Configuration (NCP1091 only)

To define the UVLO threshold externally, the UVLO pin must be connected to the center of an external resistor divider between VPORTP and VPORTN as shown in Figure 6.

In order to guarantee the detection signature, the equivalent input resistor made of the Ruvlo1, Ruvlo2 and Rdet should be equal to 24.9 kΩ.

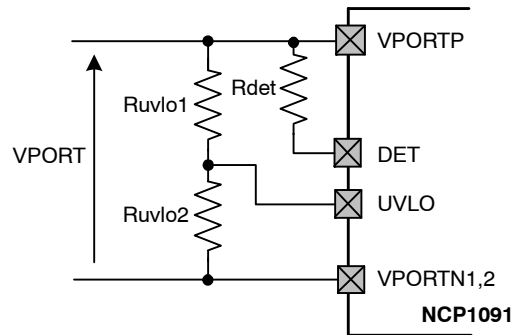


Figure 6. Default Internal UVLO Configuration (NCP1091 only)

For a Vuvlo_on desired turn-on voltage threshold, Ruvlo1 and Ruvlo2 can be calculated using the following equations:

$$R_{uvlo} = \frac{24.9 \text{ k} \cdot R_{det}}{R_{det} - 24.9 \text{ k}}$$

with $R_{uvlo1} + R_{uvlo2} = R_{uvlo}$

and $R_{uvlo2} = \frac{1.2}{V_{uvlo_on}} \cdot R_{uvlo}$

With:

Vuvlo_on: Desired Turn-On voltage threshold

Example for a Targeted U_{vlo_on} of 35 V:

Let's start with a R_{det} of 30.1 k Ω . This gives a R_{uvlo} of 144 k Ω made with a R_{uvlo2} of 4.99 k Ω and a R_{uvlo1} of 140 k Ω (closest values from E96 series). Note that there is a pull down current of 2.5 μ A typ on the UVLO. Assuming the previous example, this pull down current will create a (non critical) systematic offset of 350 mV on the U_{vlo_on} level of 35 V.

The external UVLO hysteresis on the NCP1091 is about 15 percent typical.

Inrush and Operational Current Limitations

Both inrush and operational current limit are defined by an external R_{inrush} resistor connected between INRUSH and VPORTN. The low inrush current limit allows smooth charge of large dc-dc converter input capacitor by limiting the power dissipation over the internal pass switch. In power mode, the operational current limit protects the pass switch

and the PD application against excessive transient current and failure on the dc-dc converter output.

Once the input supply reached the U_{vlo_on} level, the charge of C_{pd} capacitor starts with a current limitation set to the INRUSH level. When this capacitor is fully charged, the current limit switches without any spikes from the inrush current to the operational current level and the power good indicator on PGOOD pin is turned on. The capacitor is considered to be fully charged once the following conditions are satisfied:

1. The drain-source voltage of the Pass Switch has decreased below the $V_{ds_pgood_on}$ level (typical 1 V)
2. The gate-source voltage of the Pass Switch is sufficiently high (above 2 V typical) which means the current in the pass switch has decreased below the current limit.

This mechanism is depicted in the following Figure 7.

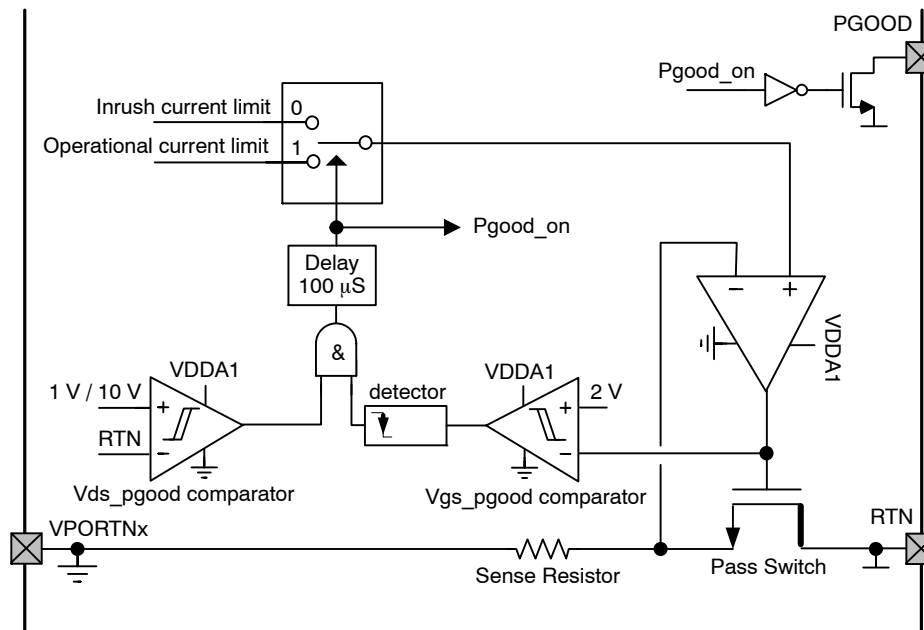


Figure 7. Inrush and Operational Current Limitation Selection Mechanism

The operational current limit and the power good indicator stays active as long as R_{TN} voltage stays below the $v_{ds_pgood_off}$ threshold (10 V typical) and the input supply stay above the U_{vlo_off} level. Therefore, fast and large voltage step lower than 10 V are tolerated on the input without interruption of the converter controller. Higher input transient will not affect the behavior if R_{TN} does not exceed 10 V for more than 100 μ s. Such input voltage steps may be introduced by a PSE which is switched to a higher power supply. In case R_{TN} is still above 10 V after this delay, the power good is turned off and the pass switch current limit falls back to the inrush level.

PGOOD Indicator

The NCP1090/91/92 integrate a Power Good indicator circuitry indicating the end of the dc-dc converter input capacitor charge, and the enabling of the operational current limit. This indicator is implemented on the PGOOD pin which goes in open drain state when active and which is pulled to ground during turn off.

A possible usage of this PGOOD pin is illustrated in Figure 8. During the inrush phase, the converter controller is forced in standby mode due to the PGOOD pin forcing low the under voltage lock out pin of the controller. Once the C_{pd} capacitor is fully charged, PGOOD goes in open drain state, allowing the start up sequence of the converter controller.

NCP1090, NCP1091, NCP1092

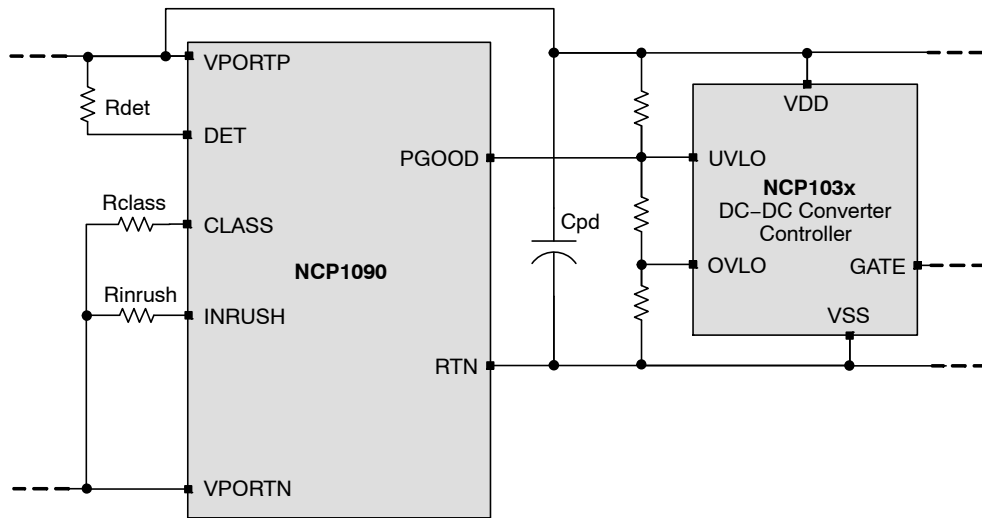


Figure 8. Power GOOD Implementation

Auxiliary Supply

To support application connected to non-PoE enabled networks and minimize the bill of materials, the NCP1093 supports drawing power from an external supply and allows simplified designs with PoE or auxiliary supply priorities.

In most of the cases, the auxiliary supply is connected between VPORTP and RTN with a serial diode between VPORTP and VAUX, as shown in Figure 9.

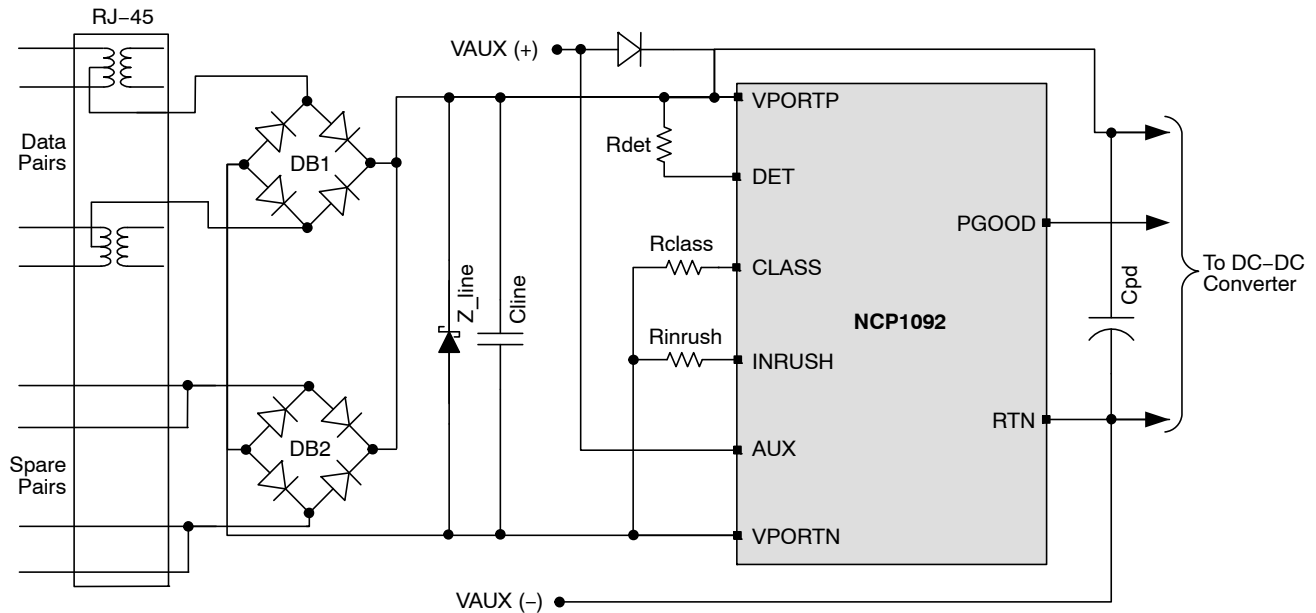


Figure 9. Auxiliary Supply Dominant PD Interface

The NCP1092 offers an AUX input pin which turns off the pass switch when pulled high. This feature is useful for PD applications where the auxiliary supply has to be dominant over the PoE supply. When the auxiliary supply is inserted on a POE powered application, the pass switch disconnection will move the current path from the PSE to the rear auxiliary supply. Since the current delivered by the PSE will go below the DC MPS level (specified in IEEE 802.3 af/at standard), the PSE will disconnect the PoE-PD

and the application will remain supplied by the auxiliary supply. The transition will happen without any power conversion interruption since the PGOOD indicator stays active (high impedance state).

Next Figure 10 depicts another PD application where the POE supply is dominant over the VAUX supply. A diode D1 has been added in order to not corrupt the PD detection signature when the dc-dc converter is supplied by VAUX.

NCP1090, NCP1091, NCP1092

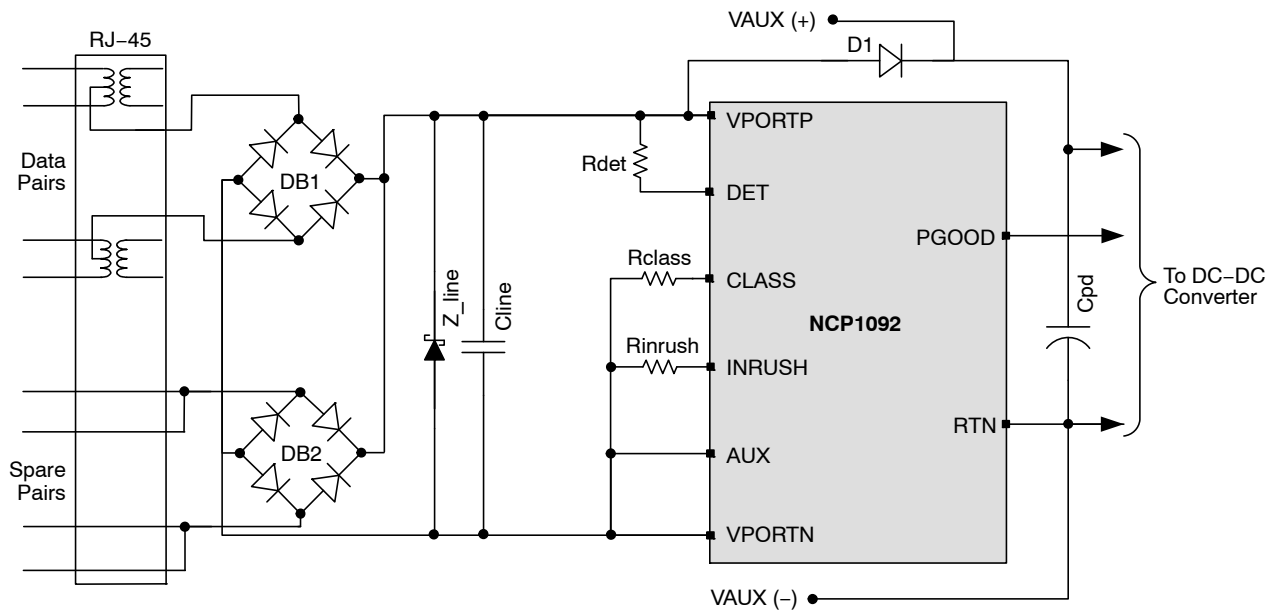


Figure 10. PoE Supply Dominant PD Interface

Thermal Shutdown

The NCP1090/91/92 include a thermal shutdown which protect the device in case of high junction temperature. Once the thermal shutdown (TSD) threshold is exceeded, the classification block, the pass switch and the PGOOD indicator are disabled. The NCP109X returns automatically to normal operation once the die temperature has fallen below the TSD low limit.

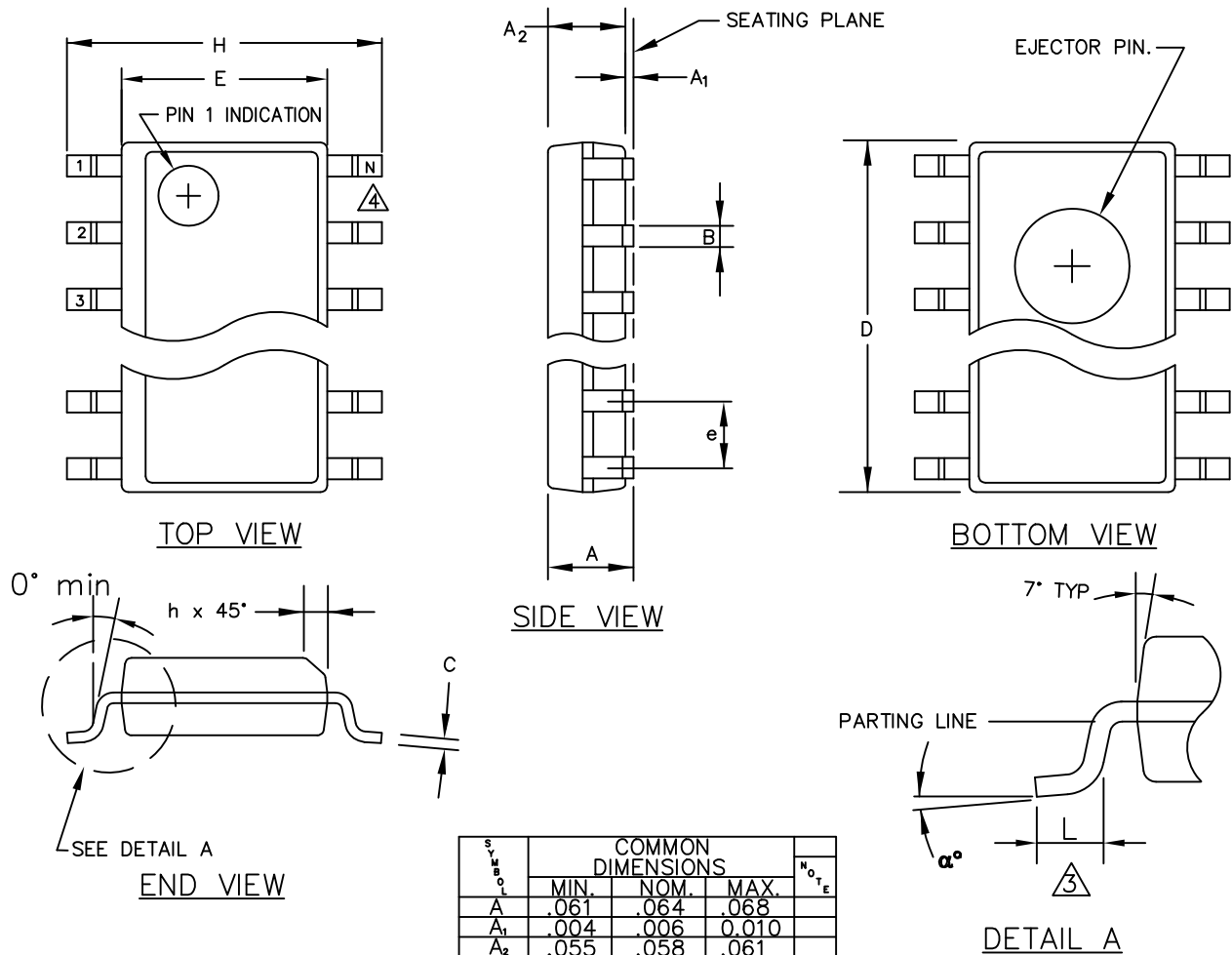
Company or Product Inquiries

For more information about ON Semiconductor's Power over Ethernet products visit our Web site at <http://www.onsemi.com>.

NCP1090, NCP1091, NCP1092

PACKAGE DIMENSIONS

SOIC-8
CASE 751AZ-01
ISSUE O



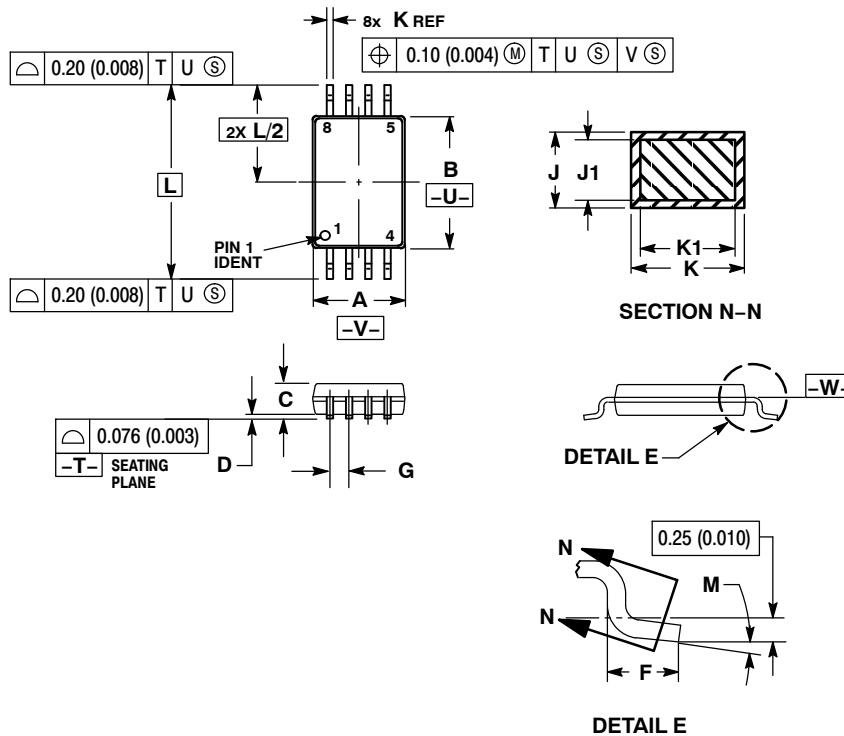
SYMBOL	COMMON DIMENSIONS			NOTE
	MIN.	NOM.	MAX.	
A	.061	.064	.068	
A ₁	.004	.006	0.010	
A ₂	.055	.058	.061	
B	.0138	.016	.020	
C	.0075	.008	.0098	
D	SEE VARIATIONS			1
E	.150	.155	.157	
e	.050 BSC			
H	.230	.236	.244	
h	.010	.013	.016	
L	.016	.025	.035	
N	SEE VARIATIONS			2
α°	0°	5°	8°	

VARIATIONS				
	1			2
	D			N
NOTE	MIN.	NOM.	MAX.	
AA	.189	.194	.196	8
AB	.337	.342	.344	14
AC	.386	.391	.393	16

NCP1090, NCP1091, NCP1092

PACKAGE DIMENSIONS

TSSOP-8
CASE 948S-01
ISSUE C



NOTES:

1. DIMENSIONING AND TOLERANCING PER ANSI Y14.5M, 1982.
2. CONTROLLING DIMENSION: MILLIMETER.
3. DIMENSION A DOES NOT INCLUDE MOLD FLASH, PROTRUSIONS OR GATE BURRS. MOLD FLASH OR GATE BURRS SHALL NOT EXCEED 0.15 (0.006) PER SIDE.
4. DIMENSION B DOES NOT INCLUDE INTERLEAD FLASH OR PROTRUSION. INTERLEAD FLASH OR PROTRUSION SHALL NOT EXCEED 0.25 (0.010) PER SIDE.
5. TERMINAL NUMBERS ARE SHOWN FOR REFERENCE ONLY.
6. DIMENSION A AND B ARE TO BE DETERMINED AT DATUM PLANE -W-.

DIM	MILLIMETERS		INCHES	
	MIN	MAX	MIN	MAX
A	2.90	3.10	0.114	0.122
B	4.30	4.50	0.169	0.177
C	---	1.10	---	0.043
D	0.05	0.15	0.002	0.006
F	0.50	0.70	0.020	0.028
G	0.65 BSC		0.026 BSC	
J	0.09	0.20	0.004	0.008
J1	0.09	0.16	0.004	0.006
K	0.19	0.30	0.007	0.012
K1	0.19	0.25	0.007	0.010
L	6.40 BSC		0.252 BSC	
M	0°	8°	0°	8°

All brand names and product names appearing in this document are registered trademarks or trademarks of their respective holders.

ON Semiconductor and **ON** are registered trademarks of Semiconductor Components Industries, LLC (SCILLC). SCILLC reserves the right to make changes without further notice to any products herein. SCILLC makes no warranty, representation or guarantee regarding the suitability of its products for any particular purpose, nor does SCILLC assume any liability arising out of the application or use of any product or circuit, and specifically disclaims any and all liability, including without limitation special, consequential or incidental damages. "Typical" parameters which may be provided in SCILLC data sheets and/or specifications can and do vary in different applications and actual performance may vary over time. All operating parameters, including "Typicals" must be validated for each customer application by customer's technical experts. SCILLC does not convey any license under its patent rights nor the rights of others. SCILLC products are not designed, intended, or authorized for use as components in systems intended for surgical implant into the body, or other applications intended to support or sustain life, or for any other application in which the failure of the SCILLC product could create a situation where personal injury or death may occur. Should Buyer purchase or use SCILLC products for any such unintended or unauthorized application, Buyer shall indemnify and hold SCILLC and its officers, employees, subsidiaries, affiliates, and distributors harmless against all claims, costs, damages, and expenses, and reasonable attorney fees arising out of, directly or indirectly, any claim of personal injury or death associated with such unintended or unauthorized use, even if such claim alleges that SCILLC was negligent regarding the design or manufacture of the part. SCILLC is an Equal Opportunity/Affirmative Action Employer. This literature is subject to all applicable copyright laws and is not for resale in any manner.

PUBLICATION ORDERING INFORMATION

LITERATURE FULFILLMENT:
Literature Distribution Center for ON Semiconductor
P.O. Box 5163, Denver, Colorado 80217 USA
Phone: 303-675-2175 or 800-344-3860 Toll Free USA/Canada
Fax: 303-675-2176 or 800-344-3867 Toll Free USA/Canada
Email: orderlit@onsemi.com

N. American Technical Support: 800-282-9855 Toll Free
USA/Canada
Europe, Middle East and Africa Technical Support:
Phone: 421 33 790 2910
Japan Customer Focus Center
Phone: 81-3-5773-3850

ON Semiconductor Website: www.onsemi.com

Order Literature: <http://www.onsemi.com/orderlit>

For additional information, please contact your local Sales Representative



Компания «ЭлектроПласт» предлагает заключение долгосрочных отношений при поставках импортных электронных компонентов на взаимовыгодных условиях!

Наши преимущества:

- Оперативные поставки широкого спектра электронных компонентов отечественного и импортного производства напрямую от производителей и с крупнейших мировых складов;
- Поставка более 17-ти миллионов наименований электронных компонентов;
- Поставка сложных, дефицитных, либо снятых с производства позиций;
- Оперативные сроки поставки под заказ (от 5 рабочих дней);
- Экспресс доставка в любую точку России;
- Техническая поддержка проекта, помощь в подборе аналогов, поставка прототипов;
- Система менеджмента качества сертифицирована по Международному стандарту ISO 9001;
- Лицензия ФСБ на осуществление работ с использованием сведений, составляющих государственную тайну;
- Поставка специализированных компонентов (Xilinx, Altera, Analog Devices, Intersil, Interpoint, Microsemi, Aeroflex, Peregrine, Syfer, Eurofarad, Texas Instrument, Miteq, Cobham, E2V, MA-COM, Hittite, Mini-Circuits, General Dynamics и др.);

Помимо этого, одним из направлений компании «ЭлектроПласт» является направление «Источники питания». Мы предлагаем Вам помощь Конструкторского отдела:

- Подбор оптимального решения, техническое обоснование при выборе компонента;
- Подбор аналогов;
- Консультации по применению компонента;
- Поставка образцов и прототипов;
- Техническая поддержка проекта;
- Защита от снятия компонента с производства.



Как с нами связаться

Телефон: 8 (812) 309 58 32 (многоканальный)

Факс: 8 (812) 320-02-42

Электронная почта: org@eplast1.ru

Адрес: 198099, г. Санкт-Петербург, ул. Калинина, дом 2, корпус 4, литера А.