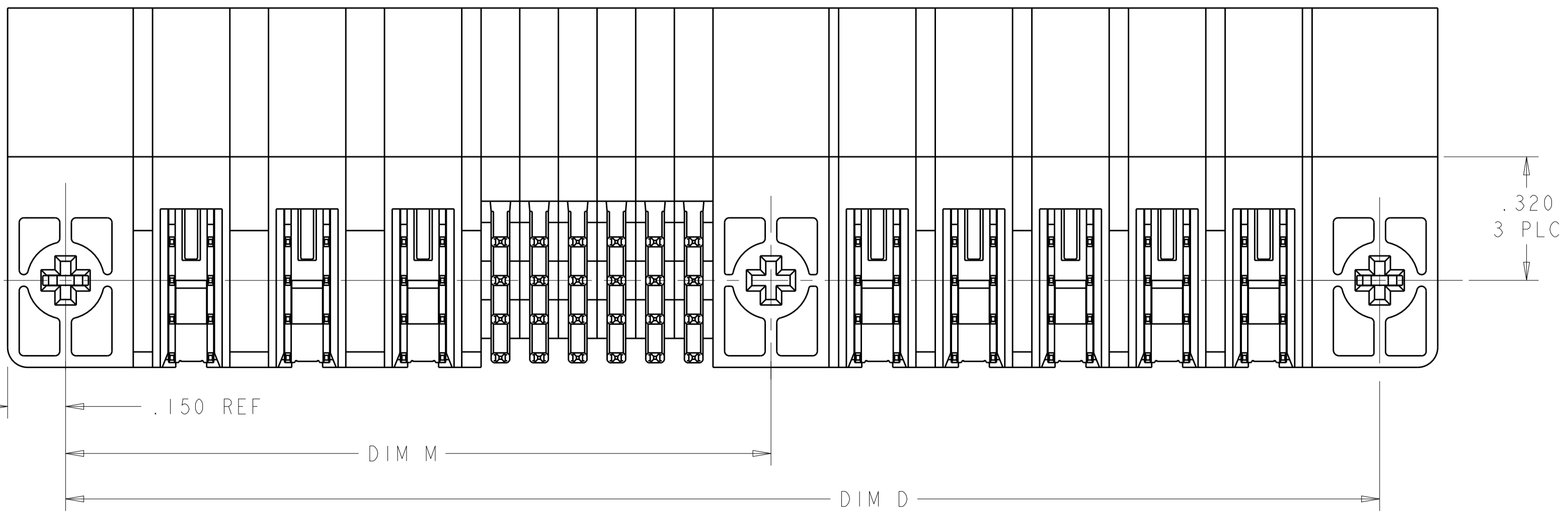
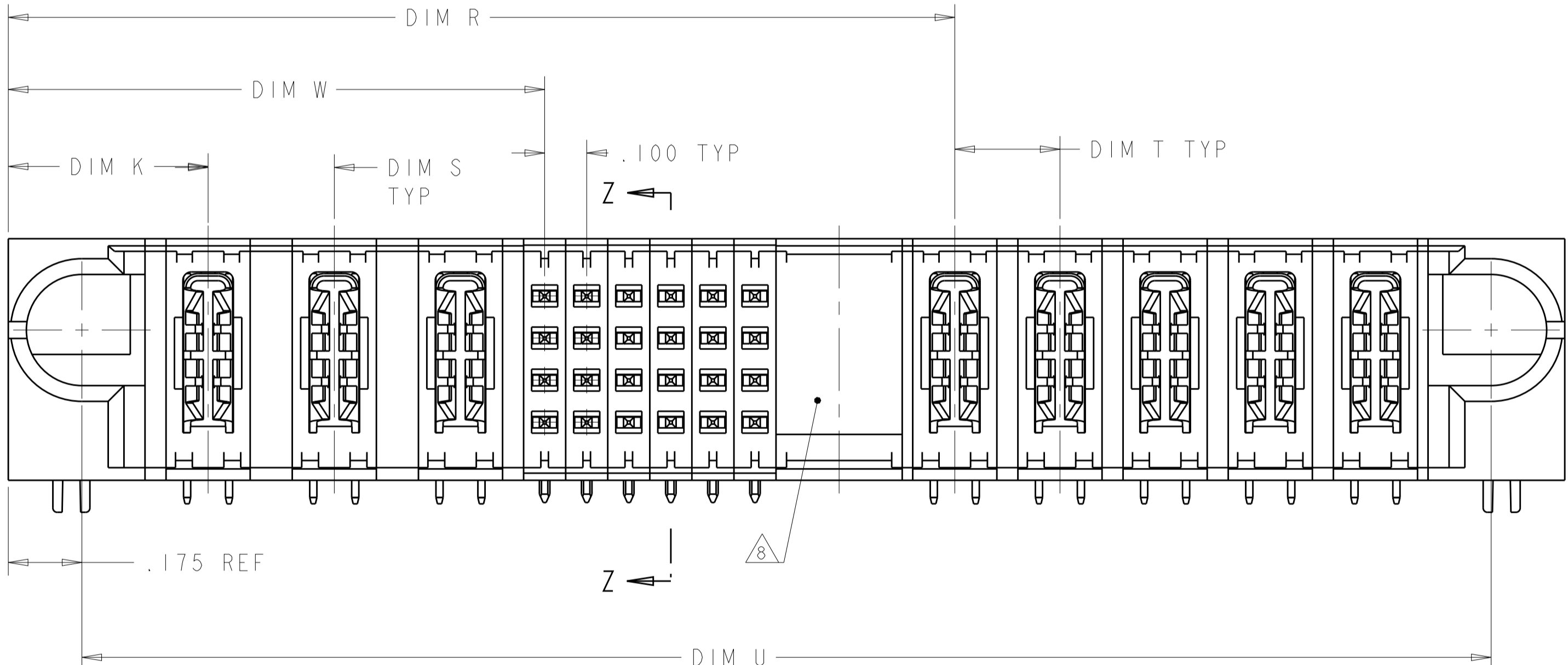
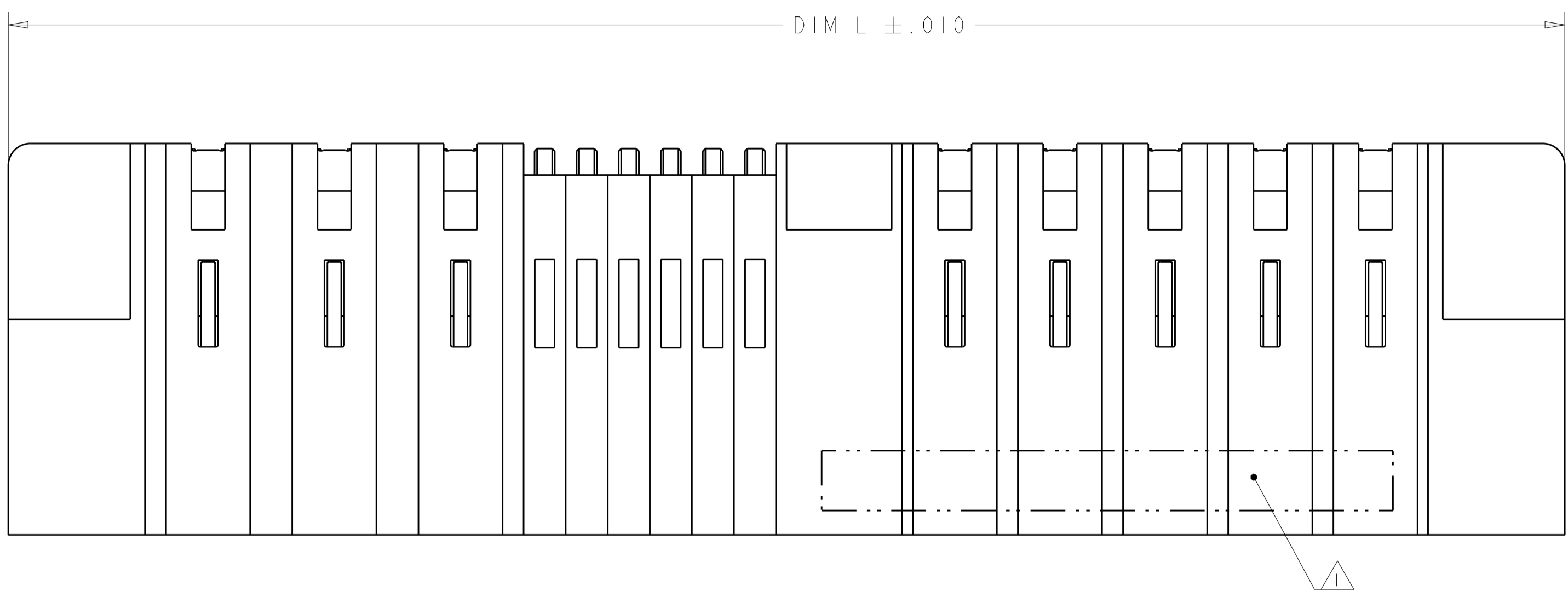
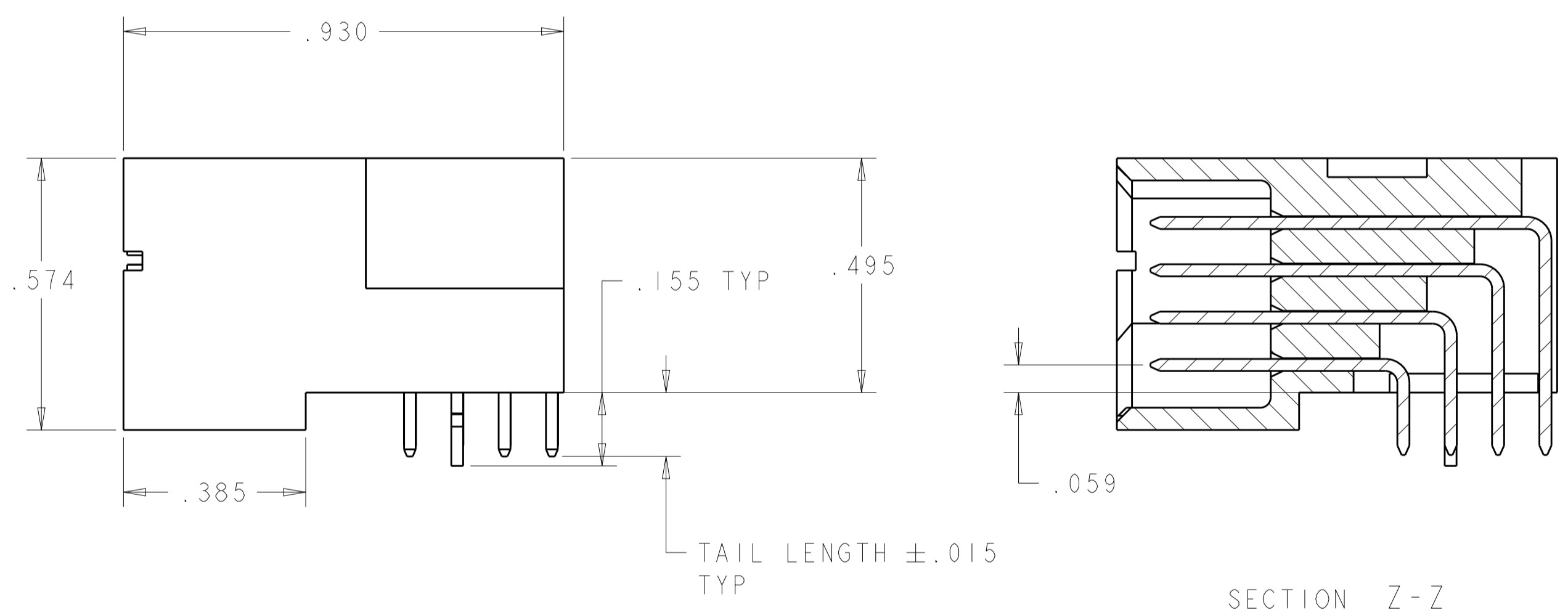


| LOC | DIST | REVISIONS |     |                         |           |     |      |
|-----|------|-----------|-----|-------------------------|-----------|-----|------|
|     |      | P         | LTN | DESCRIPTION             | DATE      | DWN | APVD |
| ES  | 00   | M1        |     | ADD NEW DASH NUMBER 7-0 | 08FEB2014 | AL  | SZ   |
|     |      | M2        |     | ADD NEW DASH NUMBER     | 21MAR2014 | AL  | SZ   |



- 1 "AMP" PART NUMBER AND DATE CODE TO BE MARKED IN AREA SHOWN. PARTS UNDER 2.500 LONG MAY BE MARKED ON BOTH SIDES.
- 2 MATERIAL: HOUSING - GLASS FILLED HIGH TEMP THERMO PLASTIC, UL 94 V-0  
SIGNAL CONTACT - COPPER ALLOY  
POWER CONTACT - HIGH CONDUCTIVITY COPPER ALLOY.
- 3 CONTACT FINISHE:  
NOBLE METAL PLATED ON THE CONTACT FUNCTIONAL AREA OF POWER AND SIGNAL CONTACTS.
- 4 MECHANICAL CONNECTOR KEEP OUT ZONE. WHEN PLACING CONNECTORS END-TO-END, ALLOW ADDITIONAL 0.1 CLEARANCE BETWEEN CONNECTORS FOR LATCH ACTIVATION.
- 5 DATUM AND BASIC DIMENSIONS ESTABLISHED BY CUSTOMER.
- 6 PCB - ALL HOLE DIAMETERS ARE FINISHED HOLE SIZES.
- 7 PCB - .0453±.0010 DRILLED HOLES PLATED WITH .0003 MIN Sn OVER .001 TO .003 Cu PLATING TO ACHIEVE A .040 DIA HOLE.
- 8 OPTIONAL CENTER MODULE WITH Ø.150 THRU HOLE OR HOLD DOWN FEATURE.



THIS DRAWING IS A CONTROLLED DOCUMENT.

DWN: R.GRZYBOWSKI 02FEB05  
 CHK: M.PERCHEKKE 02FEB05  
 APVD: M.PERCHEKKE 02FEB05

**STE** TE Connectivity

NAME: RIGHT ANGLE HEADER W/GUIDES ASSEMBLY MULTI-BEAM XL

PRODUCT SPEC: 108-1973  
 APPLICATION SPEC: 114-13038

SIZE: A1  
 CAGE CODE: 6450120  
 DRAWING NO: 100779

RESTRICTED TO: -

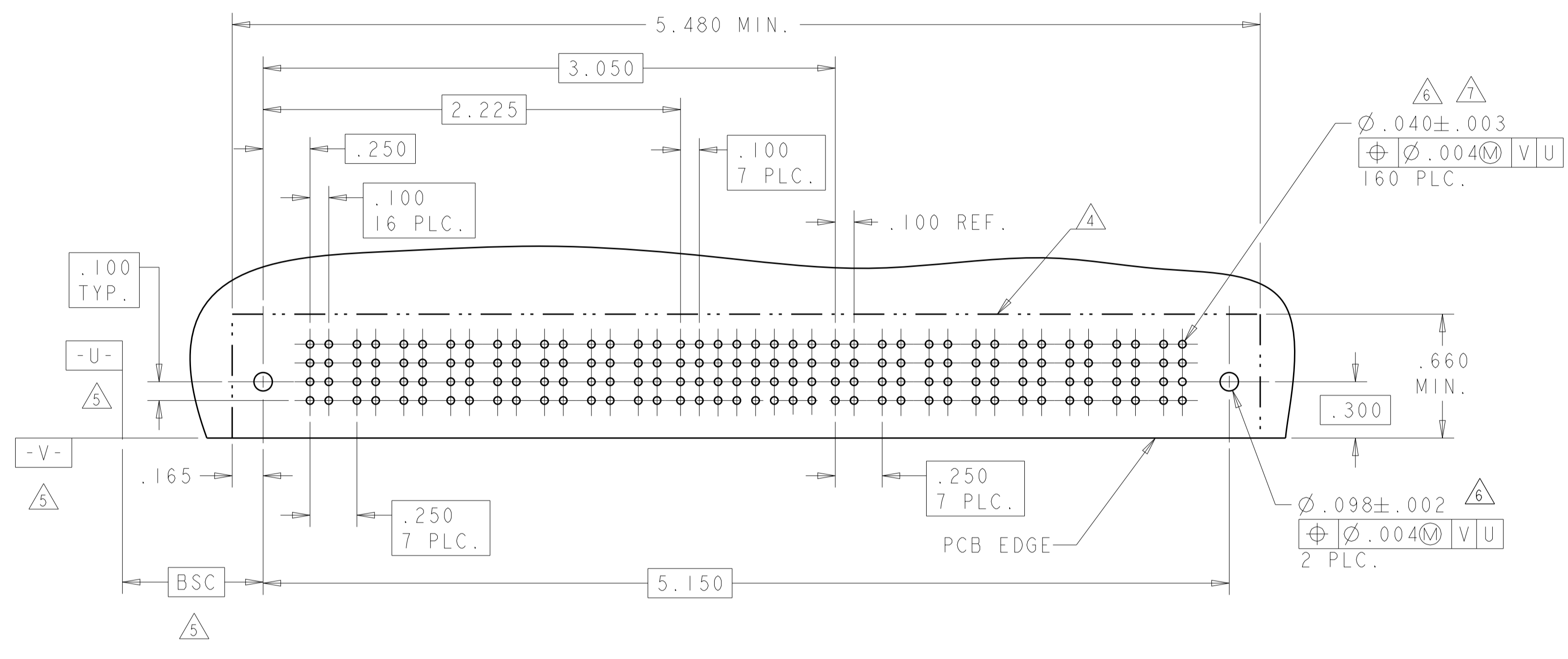
MATERIAL: FINISH:

CUSTOMER DRAWING

SCALE: 4:1 SHEET 1 OF 24 REV: M2

| LOC | DIST | REVISIONS |     |             |      |     |      |
|-----|------|-----------|-----|-------------|------|-----|------|
| ES  | 00   | P         | LYN | DESCRIPTION | DATE | OWN | APVD |
|     |      | -         |     | SEE SHEET 1 |      |     |      |

| PART NUMBER   | ROWS | POWER |    |    |    |    |    |    | SIGNAL |   |   |   |   |   |   |   | POWER |    |     |     |     |     |     |     |
|---------------|------|-------|----|----|----|----|----|----|--------|---|---|---|---|---|---|---|-------|----|-----|-----|-----|-----|-----|-----|
|               |      | P1    | P2 | P3 | P4 | P5 | P6 | P7 | P8     | 1 | 2 | 3 | 4 | 5 | 6 | 7 | 8     | P9 | P10 | P11 | P12 | P13 | P14 | P15 |
| 6450120-1     | D    |       |    |    |    |    |    |    | J      | J | J | J | J | J | J | J |       |    |     |     |     |     |     |     |
|               | C    |       |    |    |    |    |    |    | K      | K | K | K | K | K | K | K |       |    |     |     |     |     |     |     |
|               | B    |       |    |    |    |    |    |    | N      | N | N | N | N | N | N | N |       |    |     |     |     |     |     |     |
|               | A    |       |    |    |    |    |    |    | S      | S | S | S | S | S | S | S |       |    |     |     |     |     |     |     |
| 8P + 32S + 8P |      | HD    |    |    |    |    |    |    |        |   |   |   |   |   |   |   |       |    | HD  |     |     |     |     |     |



| M2 | 1     | 2    | 3    | 4     | 5    | 6     | 7 | 8     | 9    | 10          | 11          | 12    | 13   | 14 | 15    | 16    | 17    | 18 | 19    | 20   | 21            | 22          | 23    | 24 | 25 | 26    | 27   | 28    | 29 | 30    | 31   | 32        | 33          | 34    | 35 | 36 | 37   | 38   | 39    | 40 | 41    | 42   | 43           | 44          | 45    | 46   | 47   | 48    | 49    | 50    | 51 | 52    | 53   | 54               | 55          | 56    | 57   | 58   | 59    | 60   | 61    | 62 | 63    | 64   | 65            | 66          | 67    | 68   | 69   | 70    | 71    | 72    | 73 | 74    | 75   | 76              | 77          | 78    | 79   | 80   | 81    | 82    | 83    | 84 | 85    | 86   | 87            | 88          | 89    | 90   | 91   | 92    | 93    | 94    | 95 | 96    | 97   | 98            | 99          | 100   |      |      |       |       |       |   |       |      |                |             |       |      |      |       |       |       |   |       |      |                |             |       |   |   |   |       |       |   |       |   |      |             |       |      |      |       |       |       |   |       |      |               |             |       |   |   |       |      |       |   |       |      |               |             |       |      |      |       |       |       |   |       |      |                |             |       |      |      |       |      |       |   |       |      |               |             |       |      |      |       |       |       |   |       |      |               |             |       |      |      |       |       |       |   |       |      |                 |             |       |      |      |       |      |       |   |       |      |               |             |       |      |      |       |       |       |   |       |      |               |             |       |      |      |       |       |       |   |       |      |               |             |       |      |      |       |       |       |   |       |      |              |             |       |      |      |       |       |       |   |       |      |                 |             |       |      |      |       |       |       |   |       |      |                 |             |       |      |      |       |       |       |   |       |      |             |             |       |      |      |       |       |       |       |       |      |                      |             |       |      |      |       |       |       |   |       |      |                 |             |       |      |      |       |      |       |   |       |      |                |             |       |      |      |       |       |       |   |       |      |               |             |       |      |      |       |       |       |   |       |      |               |             |       |      |      |       |       |       |   |       |      |                 |             |       |      |      |       |       |       |   |       |      |                   |             |       |      |      |       |       |       |   |       |      |               |             |       |      |      |       |       |       |   |       |      |                  |             |       |      |      |       |       |       |   |       |      |               |             |       |      |      |       |       |       |   |       |      |               |             |       |      |      |       |      |       |   |       |      |               |             |       |      |      |       |      |       |   |       |      |                  |             |       |      |      |       |       |       |   |       |      |               |             |       |      |      |       |       |       |   |       |      |               |             |       |   |   |       |      |       |   |       |      |               |             |       |      |      |       |      |       |   |       |      |               |             |       |   |   |       |      |       |   |       |      |               |             |       |      |      |       |       |       |   |       |      |               |             |       |      |      |       |       |       |   |       |      |               |             |       |      |      |       |       |       |   |       |      |               |             |       |      |      |       |       |       |   |       |      |               |           |       |      |      |       |       |       |   |       |      |                 |           |       |      |      |       |       |       |   |       |      |                 |           |       |      |      |       |       |       |   |       |      |                 |           |       |      |      |       |       |       |   |       |      |               |           |       |      |      |       |       |       |   |       |      |               |           |       |      |      |       |       |       |   |       |      |               |           |       |      |      |       |       |       |   |       |      |               |           |       |      |      |       |       |       |   |       |      |               |           |
|----|-------|------|------|-------|------|-------|---|-------|------|-------------|-------------|-------|------|----|-------|-------|-------|----|-------|------|---------------|-------------|-------|----|----|-------|------|-------|----|-------|------|-----------|-------------|-------|----|----|------|------|-------|----|-------|------|--------------|-------------|-------|------|------|-------|-------|-------|----|-------|------|------------------|-------------|-------|------|------|-------|------|-------|----|-------|------|---------------|-------------|-------|------|------|-------|-------|-------|----|-------|------|-----------------|-------------|-------|------|------|-------|-------|-------|----|-------|------|---------------|-------------|-------|------|------|-------|-------|-------|----|-------|------|---------------|-------------|-------|------|------|-------|-------|-------|---|-------|------|----------------|-------------|-------|------|------|-------|-------|-------|---|-------|------|----------------|-------------|-------|---|---|---|-------|-------|---|-------|---|------|-------------|-------|------|------|-------|-------|-------|---|-------|------|---------------|-------------|-------|---|---|-------|------|-------|---|-------|------|---------------|-------------|-------|------|------|-------|-------|-------|---|-------|------|----------------|-------------|-------|------|------|-------|------|-------|---|-------|------|---------------|-------------|-------|------|------|-------|-------|-------|---|-------|------|---------------|-------------|-------|------|------|-------|-------|-------|---|-------|------|-----------------|-------------|-------|------|------|-------|------|-------|---|-------|------|---------------|-------------|-------|------|------|-------|-------|-------|---|-------|------|---------------|-------------|-------|------|------|-------|-------|-------|---|-------|------|---------------|-------------|-------|------|------|-------|-------|-------|---|-------|------|--------------|-------------|-------|------|------|-------|-------|-------|---|-------|------|-----------------|-------------|-------|------|------|-------|-------|-------|---|-------|------|-----------------|-------------|-------|------|------|-------|-------|-------|---|-------|------|-------------|-------------|-------|------|------|-------|-------|-------|-------|-------|------|----------------------|-------------|-------|------|------|-------|-------|-------|---|-------|------|-----------------|-------------|-------|------|------|-------|------|-------|---|-------|------|----------------|-------------|-------|------|------|-------|-------|-------|---|-------|------|---------------|-------------|-------|------|------|-------|-------|-------|---|-------|------|---------------|-------------|-------|------|------|-------|-------|-------|---|-------|------|-----------------|-------------|-------|------|------|-------|-------|-------|---|-------|------|-------------------|-------------|-------|------|------|-------|-------|-------|---|-------|------|---------------|-------------|-------|------|------|-------|-------|-------|---|-------|------|------------------|-------------|-------|------|------|-------|-------|-------|---|-------|------|---------------|-------------|-------|------|------|-------|-------|-------|---|-------|------|---------------|-------------|-------|------|------|-------|------|-------|---|-------|------|---------------|-------------|-------|------|------|-------|------|-------|---|-------|------|------------------|-------------|-------|------|------|-------|-------|-------|---|-------|------|---------------|-------------|-------|------|------|-------|-------|-------|---|-------|------|---------------|-------------|-------|---|---|-------|------|-------|---|-------|------|---------------|-------------|-------|------|------|-------|------|-------|---|-------|------|---------------|-------------|-------|---|---|-------|------|-------|---|-------|------|---------------|-------------|-------|------|------|-------|-------|-------|---|-------|------|---------------|-------------|-------|------|------|-------|-------|-------|---|-------|------|---------------|-------------|-------|------|------|-------|-------|-------|---|-------|------|---------------|-------------|-------|------|------|-------|-------|-------|---|-------|------|---------------|-----------|-------|------|------|-------|-------|-------|---|-------|------|-----------------|-----------|-------|------|------|-------|-------|-------|---|-------|------|-----------------|-----------|-------|------|------|-------|-------|-------|---|-------|------|-----------------|-----------|-------|------|------|-------|-------|-------|---|-------|------|---------------|-----------|-------|------|------|-------|-------|-------|---|-------|------|---------------|-----------|-------|------|------|-------|-------|-------|---|-------|------|---------------|-----------|-------|------|------|-------|-------|-------|---|-------|------|---------------|-----------|-------|------|------|-------|-------|-------|---|-------|------|---------------|-----------|
|    | 1.700 | .250 | .250 | 1.300 | .875 | 1.750 | - | 2.050 | .450 | 2P+16S+2P   | 7-6450120-1 | 2.700 | .200 | -  | 2.600 | 1.425 | 2.750 | -  | 3.050 | .450 | 5P + 44S + 1P | 7-6450120-0 | 1.100 | -  | -  | 1.000 | .625 | 1.150 | -  | 1.450 | .450 | IP+12S+IP | 6-6450120-9 | 1.000 | -  | -  | .900 | .625 | 1.050 | -  | 1.350 | .450 | IP + 8S + 1P | 6-6450120-8 | 2.850 | .300 | .200 | 2.125 | 1.825 | 2.900 | -  | 3.200 | .450 | 7HDP + 8S + 3ACP | 6-6450120-7 | 2.650 | .250 | .200 | 1.550 | .875 | 2.700 | -  | 3.000 | .450 | 2P + 24S + 6P | 6-6450120-6 | 2.300 | .300 | .250 | 1.950 | 1.275 | 2.350 | -  | 2.650 | .475 | 3ACP + 24S + 2P | 6-6450120-5 | 3.100 | .250 | .250 | 2.250 | 1.875 | 3.150 | -  | 3.450 | .450 | 6P + 12S + 4P | 6-6450120-4 | 2.400 | .250 | .250 | 1.800 | 1.125 | 2.450 | -  | 2.750 | .475 | 3P + 24S + 3P | 6-6450120-1 | 3.000 | .300 | .250 | 1.650 | 1.325 | 3.050 | - | 3.350 | .475 | 3ACP + 8S + 6P | 6-6450120-0 | 1.900 | .300 | .250 | 1.550 | 1.275 | 1.950 | - | 2.250 | .475 | 3ACP + 8S + 2P | 5-6450120-9 | 2.800 | - | - | - | 0.375 | 2.850 | - | 3.150 | - | 100S | 5-6450120-8 | 2.700 | .250 | .250 | 2.100 | 1.125 | 2.750 | - | 3.050 | .450 | 3P + 36S + 3P | 5-6450120-7 | 1.100 | - | - | 1.000 | .625 | 1.150 | - | 1.450 | .450 | IP + 12S + 1P | 5-6450120-6 | 3.250 | .300 | .250 | 2.525 | 2.175 | 3.300 | - | 3.600 | .450 | 7P + 8S + 3ACP | 5-6450120-5 | 2.400 | .250 | .250 | 1.550 | .875 | 2.450 | - | 2.750 | .450 | 2P + 24S + 4P | 5-6450120-3 | 5.400 | .300 | .300 | 2.875 | 2.175 | 5.450 | - | 5.750 | .475 | 6P + 24S + 9P | 5-6450120-2 | 3.800 | .250 | .300 | 1.875 | 1.375 | 3.850 | - | 4.150 | .450 | 4P + 16S + 7ACP | 5-6450120-0 | 1.600 | .250 | .250 | 1.250 | .875 | 1.650 | - | 1.950 | .450 | 2P + 12S + 2P | 4-6450120-9 | 2.900 | .250 | .250 | 2.050 | 1.375 | 2.950 | - | 3.250 | .450 | 4P + 24S + 4P | 4-6450120-8 | 1.900 | .250 | .250 | 1.550 | 0.875 | 1.950 | - | 2.250 | .450 | 2P + 24S + 2P | 4-6450120-7 | 2.000 | .250 | .250 | 1.400 | 1.125 | 2.050 | - | 2.350 | .450 | 3P + 8S + 3P | 4-6450120-6 | 2.900 | .250 | .250 | 3.550 | 2.875 | 5.950 | - | 6.250 | .450 | 10P + 24S + 10P | 4-6450120-5 | 3.700 | .200 | .300 | 2.700 | 2.025 | 3.750 | - | 4.050 | .450 | 8P + 24S + 4ACP | 4-6450120-4 | 2.900 | .300 | .250 | 2.050 | 1.575 | 2.950 | - | 3.250 | .475 | 4ACP+16S+4P | 4-6450120-3 | 4.375 | .250 | .300 | 3.375 | 2.375 | 4.425 | 3.100 | 4.725 | .450 | 8P + 24S + 1M + 4ACP | 4-6450120-2 | 4.100 | .300 | .250 | 2.250 | 1.575 | 4.150 | - | 4.450 | .475 | 4ACP + 24S + 8P | 4-6450120-0 | 3.800 | .250 | .250 | 3.450 | .875 | 3.850 | - | 4.150 | .450 | 2P + 100S + 2P | 3-6450120-6 | 4.600 | .250 | .250 | 3.250 | 1.875 | 4.650 | - | 4.950 | .450 | 6P + 52S + 6P | 3-6450120-5 | 5.100 | .250 | .250 | 3.500 | 2.175 | 5.150 | - | 5.450 | .450 | 7P + 48S + 7P | 3-6450120-4 | 3.500 | .250 | .300 | 2.775 | 2.375 | 3.550 | - | 3.850 | .450 | 8P + 12S + 3ACP | 3-6450120-3 | 4.000 | .200 | .200 | 2.700 | 1.825 | 4.050 | - | 4.350 | .450 | 7HDP + 32S + 7HDP | 3-6450120-0 | 3.900 | .250 | .250 | 2.550 | 1.875 | 3.950 | - | 4.250 | .450 | 6P + 24S + 6P | 2-6450120-7 | 5.200 | .300 | .250 | 2.350 | 1.625 | 5.250 | - | 5.550 | .475 | 4ACP + 24S + 12P | 2-6450120-6 | 2.500 | .250 | .250 | 2.150 | 1.425 | 2.550 | - | 2.850 | .450 | 4P + 24S + 2P | 2-6450120-5 | 3.600 | .250 | .250 | 2.500 | 1.625 | 3.650 | - | 3.950 | .450 | 5P + 32S + 5P | 2-6450120-4 | 2.500 | .250 | .250 | 2.150 | .875 | 2.550 | - | 2.850 | .450 | 2P + 48S + 2P | 2-6450120-3 | 4.500 | .300 | .250 | 1.650 | .975 | 4.550 | - | 4.850 | .475 | 2ACP + 24S + 12P | 2-6450120-2 | 2.850 | .250 | .250 | 2.000 | 1.125 | 2.900 | - | 3.200 | .450 | 3P + 32S + 4P | 2-6450120-1 | 3.950 | .200 | .250 | 2.125 | 1.025 | 4.000 | - | 4.300 | .425 | 3P + 40S + 8P | 2-6450120-0 | 1.400 | - | - | 1.300 | .625 | 1.450 | - | 1.750 | .450 | IP + 24S + 1P | 1-6450120-6 | 2.000 | .300 | .300 | 1.575 | .975 | 2.050 | - | 2.350 | .475 | 2P + 20S + 2P | 1-6450120-4 | 1.200 | - | - | 1.100 | .625 | 1.250 | - | 1.550 | .450 | IP + 16S + 1P | 1-6450120-3 | 2.400 | .250 | .250 | 1.800 | 1.125 | 2.450 | - | 2.750 | .450 | 3P + 24S + 3P | 1-6450120-2 | 2.675 | .200 | .200 | 2.375 | 1.650 | 2.725 | - | 3.025 | .450 | 5P + 24S + 2P | 1-6450120-1 | 4.350 | .250 | .250 | 3.500 | 2.625 | 4.400 | - | 4.700 | .450 | 9P + 32S + 4P | 1-6450120-0 | 4.150 | .250 | .250 | 2.800 | 2.125 | 4.200 | - | 4.500 | .450 | 7P + 24S + 6P | 6450120-9 | 2.800 | .250 | .300 | 2.075 | 1.375 | 2.850 | - | 3.150 | .450 | 4P + 24S + 3ACP | 6450120-8 | 3.050 | .300 | .250 | 1.950 | 1.275 | 3.100 | - | 3.400 | .475 | 3ACP + 24S + 5P | 6450120-7 | 7.400 | .250 | .250 | 5.050 | 2.875 | 7.450 | - | 7.750 | .450 | 10P + 84S + 10P | 6450120-6 | 4.350 | .250 | .250 | 3.000 | 2.125 | 4.400 | - | 4.700 | .450 | 7P + 32S + 6P | 6450120-5 | 3.650 | .250 | .250 | 2.550 | 1.875 | 3.700 | - | 4.000 | .450 | 6P + 24S + 5P | 6450120-4 | 2.900 | .250 | .250 | 1.800 | 1.125 | 2.950 | - | 3.250 | .450 | 3P + 24S + 5P | 6450120-3 | 1.900 | .250 | .250 | 1.550 | 0.875 | 1.950 | - | 2.250 | .450 | 2P + 24S + 2P | 6450120-2 | 5.100 | .250 | .250 | 3.250 | 2.375 | 5.150 | - | 5.450 | .450 | 8P + 32S + 8P | 6450120-1 |
| U  | S     | T    | R    | W     | D    | M     | L | K     |      | DESCRIPTION | PART NUMBER |       |      |    |       |       |       |    |       |      |               |             |       |    |    |       |      |       |    |       |      |           |             |       |    |    |      |      |       |    |       |      |              |             |       |      |      |       |       |       |    |       |      |                  |             |       |      |      |       |      |       |    |       |      |               |             |       |      |      |       |       |       |    |       |      |                 |             |       |      |      |       |       |       |    |       |      |               |             |       |      |      |       |       |       |    |       |      |               |             |       |      |      |       |       |       |   |       |      |                |             |       |      |      |       |       |       |   |       |      |                |             |       |   |   |   |       |       |   |       |   |      |             |       |      |      |       |       |       |   |       |      |               |             |       |   |   |       |      |       |   |       |      |               |             |       |      |      |       |       |       |   |       |      |                |             |       |      |      |       |      |       |   |       |      |               |             |       |      |      |       |       |       |   |       |      |               |             |       |      |      |       |       |       |   |       |      |                 |             |       |      |      |       |      |       |   |       |      |               |             |       |      |      |       |       |       |   |       |      |               |             |       |      |      |       |       |       |   |       |      |               |             |       |      |      |       |       |       |   |       |      |              |             |       |      |      |       |       |       |   |       |      |                 |             |       |      |      |       |       |       |   |       |      |                 |             |       |      |      |       |       |       |   |       |      |             |             |       |      |      |       |       |       |       |       |      |                      |             |       |      |      |       |       |       |   |       |      |                 |             |       |      |      |       |      |       |   |       |      |                |             |       |      |      |       |       |       |   |       |      |               |             |       |      |      |       |       |       |   |       |      |               |             |       |      |      |       |       |       |   |       |      |                 |             |       |      |      |       |       |       |   |       |      |                   |             |       |      |      |       |       |       |   |       |      |               |             |       |      |      |       |       |       |   |       |      |                  |             |       |      |      |       |       |       |   |       |      |               |             |       |      |      |       |       |       |   |       |      |               |             |       |      |      |       |      |       |   |       |      |               |             |       |      |      |       |      |       |   |       |      |                  |             |       |      |      |       |       |       |   |       |      |               |             |       |      |      |       |       |       |   |       |      |               |             |       |   |   |       |      |       |   |       |      |               |             |       |      |      |       |      |       |   |       |      |               |             |       |   |   |       |      |       |   |       |      |               |             |       |      |      |       |       |       |   |       |      |               |             |       |      |      |       |       |       |   |       |      |               |             |       |      |      |       |       |       |   |       |      |               |             |       |      |      |       |       |       |   |       |      |               |           |       |      |      |       |       |       |   |       |      |                 |           |       |      |      |       |       |       |   |       |      |                 |           |       |      |      |       |       |       |   |       |      |                 |           |       |      |      |       |       |       |   |       |      |               |           |       |      |      |       |       |       |   |       |      |               |           |       |      |      |       |       |       |   |       |      |               |           |       |      |      |       |       |       |   |       |      |               |           |       |      |      |       |       |       |   |       |      |               |           |

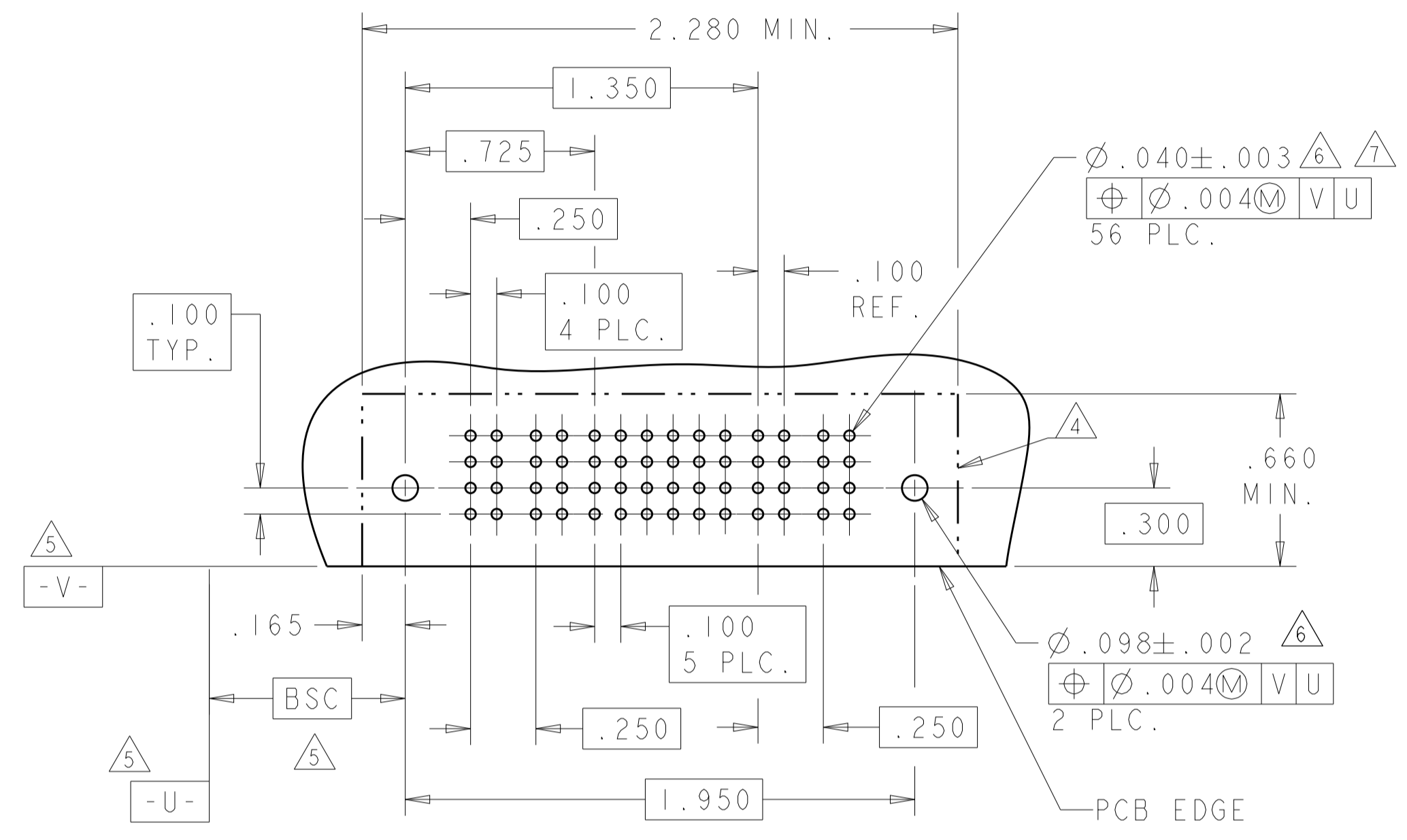
THIS DRAWING IS A CONTROLLED DOCUMENT. DIMENSIONS: INCHES. TOLERANCES UNLESS OTHERWISE SPECIFIED: 0 PLC ±.01, 1 PLC ±.01, 2 PLC ±.01, 3 PLC ±.005, 4 PLC ±.002, ANGLES ±.002. MATERIAL: FINISH: .

OWN: R. GRZYBOWSKI, CHG: M. PERCHERKE, APVD: M. PERCHERKE. PRODUCT SPEC: 108-1973, APPLICATION SPEC: 114-13038, WEIGHT: .

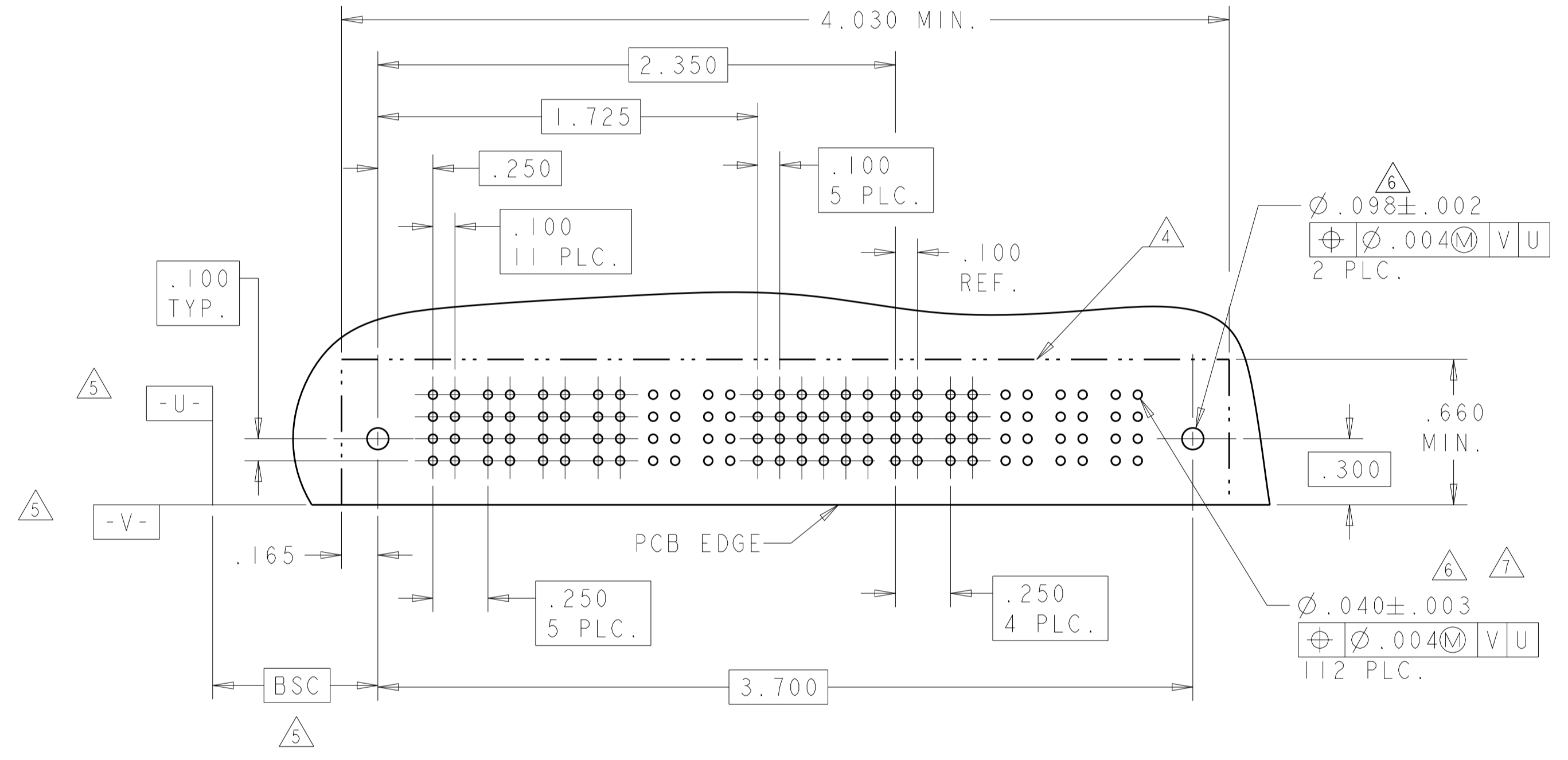
STE TE Connectivity. RIGHT ANGLE HEADER W/GUIDES ASSEMBLY MULTI-BEAM XL. SIZE: A100779, CAGE CODE: 6450120, SCALE: 4:1, SHEET 2 OF 24, REV: M2.

| LOC | DIST | REV         | DATE | BY | APPV |
|-----|------|-------------|------|----|------|
| ES  | 00   |             |      |    |      |
|     |      | REVISIONS   |      |    |      |
|     |      | DESCRIPTION | DATE | BY | APPV |
|     |      | SEE SHEET 1 |      |    |      |

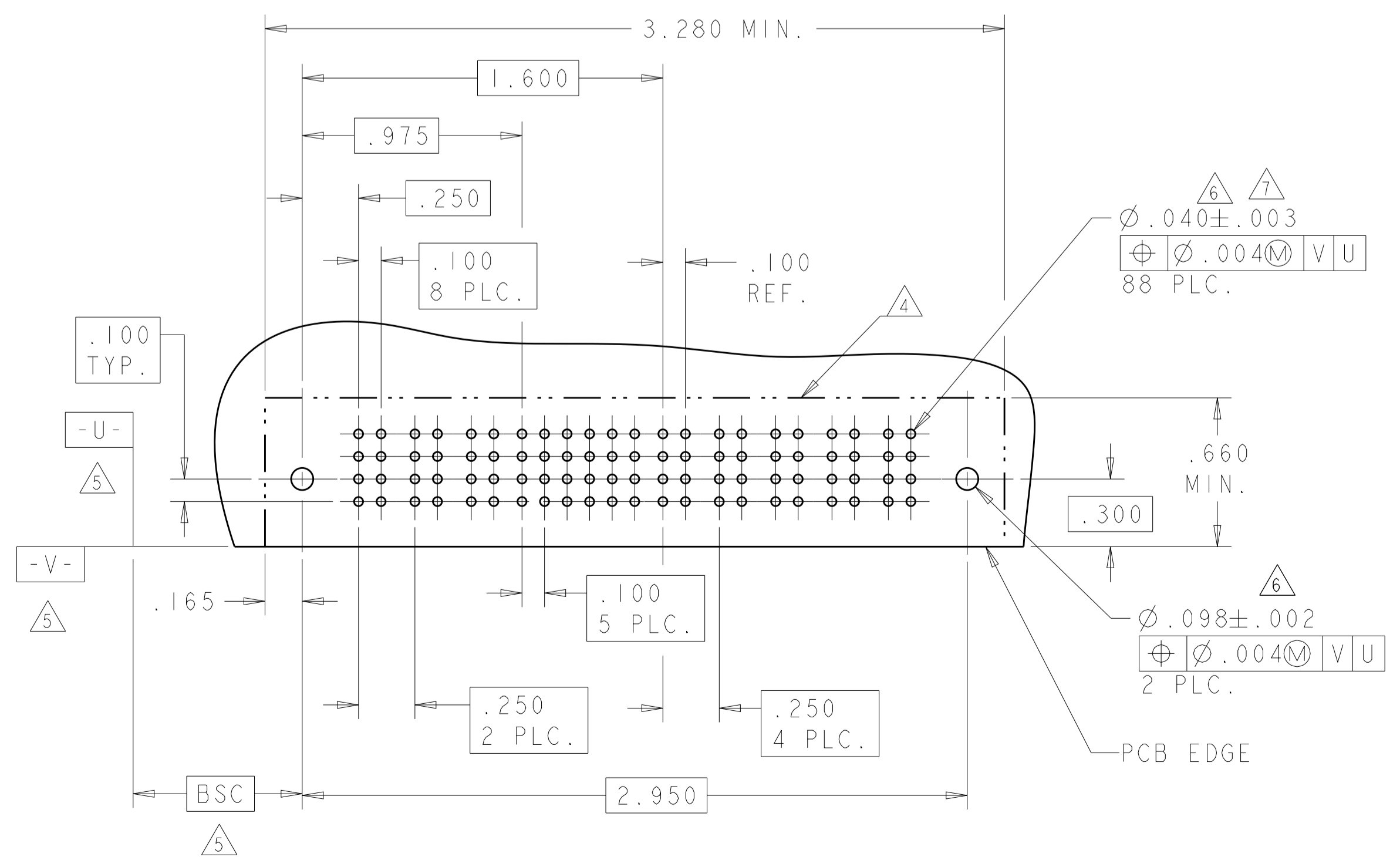
| PART NUMBER   | ROWS             | POWER |    | SIGNAL |   |   |   |   |   | POWER |    |    |    |
|---------------|------------------|-------|----|--------|---|---|---|---|---|-------|----|----|----|
|               |                  | P1    | P2 | 1      | 2 | 3 | 4 | 5 | 6 | P3    | P4 |    |    |
| 6450120-2     | D<br>C<br>B<br>A | PM    | PM | J      | J | J | J | J | J | PM    | PM | HD | HD |
|               |                  |       |    | K      | K | K | K | K | K |       |    |    |    |
|               |                  |       |    | N      | N | N | N | N | N |       |    |    |    |
|               |                  |       |    | S      | S | S | S | S | S |       |    |    |    |
| 2P + 24S + 2P |                  |       |    |        |   |   |   |   |   |       |    |    |    |



| PART NUMBER   | ROWS             | POWER |    |    |    |    |    | SIGNAL |   |   |   |   |   | POWER |    |    |     |     |    |    |    |
|---------------|------------------|-------|----|----|----|----|----|--------|---|---|---|---|---|-------|----|----|-----|-----|----|----|----|
|               |                  | P1    | P2 | P3 | P4 | P5 | P6 | 1      | 2 | 3 | 4 | 5 | 6 | P7    | P8 | P9 | P10 | P11 |    |    |    |
| 6450120-4     | D<br>C<br>B<br>A | PM    | PM | PM | PM | PM | PM | J      | J | J | J | J | J | PM    | PM | PM | PM  | PM  | PM | PM | PM |
|               |                  |       |    |    |    |    |    | K      | K | K | K | K | K |       |    |    |     |     |    |    |    |
|               |                  |       |    |    |    |    |    | N      | N | N | N | N | N |       |    |    |     |     |    |    |    |
|               |                  |       |    |    |    |    |    | S      | S | S | S | S | S |       |    |    |     |     |    |    |    |
| 6P + 24S + 5P |                  |       |    |    |    |    |    |        |   |   |   |   |   |       |    |    |     |     |    |    |    |



| PART NUMBER   | ROWS             | POWER |    |    | SIGNAL |   |   |   |   |   | POWER |    |    |    |    |    |
|---------------|------------------|-------|----|----|--------|---|---|---|---|---|-------|----|----|----|----|----|
|               |                  | P1    | P2 | P3 | 1      | 2 | 3 | 4 | 5 | 6 | P4    | P5 | P6 | P7 | P8 |    |
| 6450120-3     | D<br>C<br>B<br>A | PM    | PM | PM | J      | J | J | J | J | J | PM    | PM | PM | PM | PM | PM |
|               |                  |       |    |    | K      | K | K | K | K | K |       |    |    |    |    |    |
|               |                  |       |    |    | N      | N | N | N | N | N |       |    |    |    |    |    |
|               |                  |       |    |    | S      | S | S | S | S | S |       |    |    |    |    |    |
| 3P + 24S + 5P |                  |       |    |    |        |   |   |   |   |   |       |    |    |    |    |    |



|                |                 |             |     |
|----------------|-----------------|-------------|-----|
| H              | MLBF            | .135        | A   |
| G              | MLBF            | .135        | B   |
| F              | MLBF            | .135        | C   |
| E              | MLBF            | .135        | D   |
| L4             | STD             | .165        | D   |
| L3             | STD             | .165        | B   |
| L2             | STD             | .165        | C   |
| L1             | STD             | .165        | A   |
| Z              | STD             | .090        | D   |
| Y              | STD             | .090        | C   |
| R              | STD             | .090        | B   |
| O              | STD             | .090        | A   |
| F              | MLBF            | .135        | C   |
| G              | MLBF            | .135        | B   |
| J              | STD             | .135        | D   |
| K              | STD             | .135        | C   |
| N              | STD             | .135        | B   |
| S              | STD             | .135        | A   |
| CODE           | MATING SEQUENCE | TAIL LENGTH | ROW |
| SIGNAL CONTACT |                 |             |     |

|               |             |
|---------------|-------------|
| PD            | .165        |
| PA            | .090        |
| PM            | .135        |
| CODE          | TAIL LENGTH |
| POWER CONTACT |             |

THIS DRAWING IS A CONTROLLED DOCUMENT.

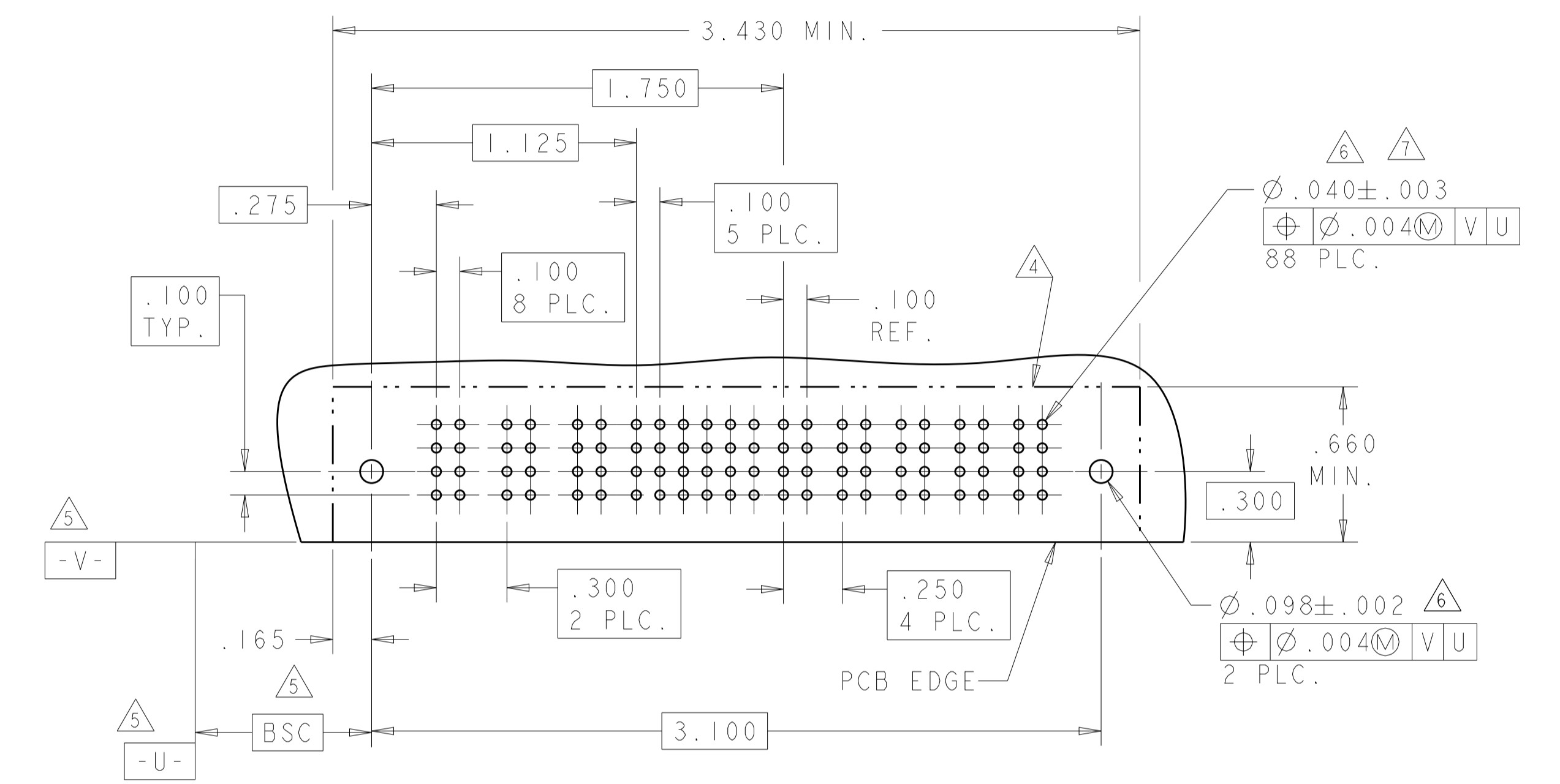
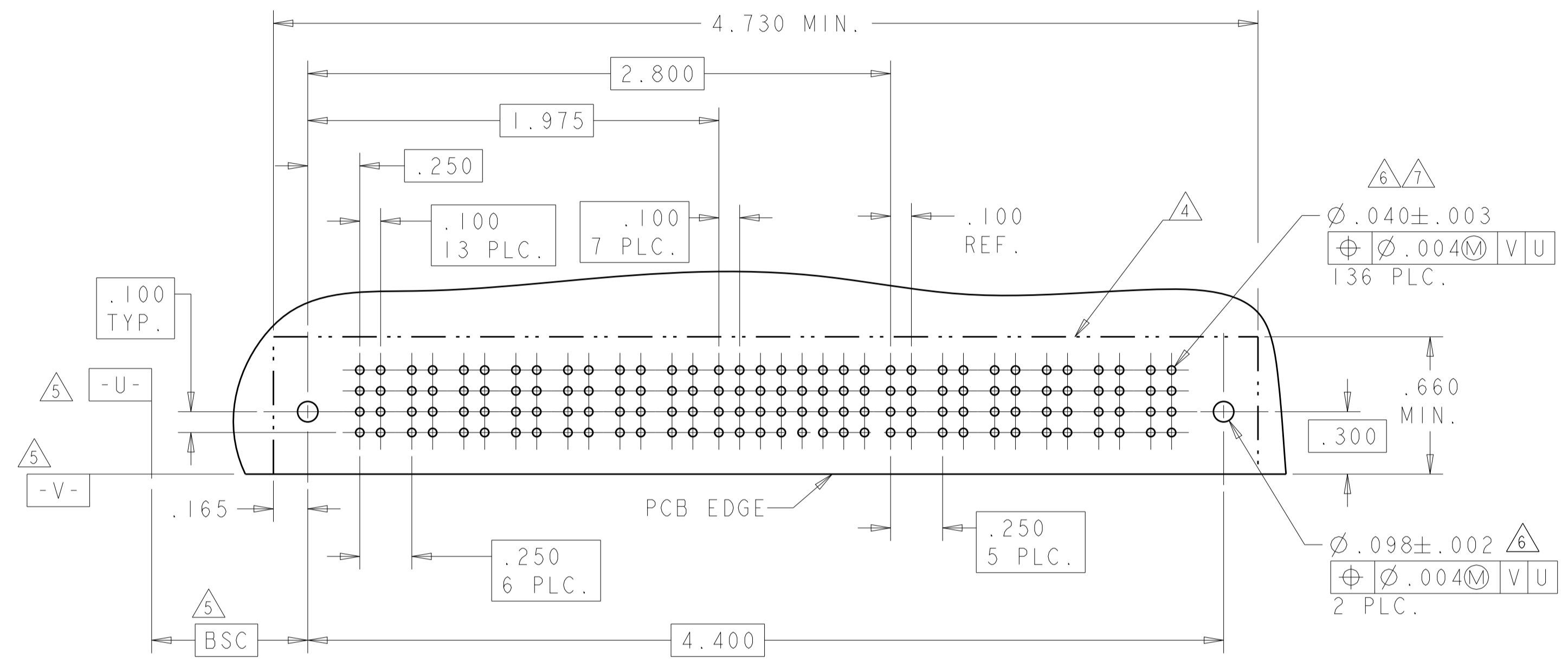
|             |                                                                                      |                            |                             |                           |                     |
|-------------|--------------------------------------------------------------------------------------|----------------------------|-----------------------------|---------------------------|---------------------|
| DIMENSIONS: | TOLERANCES UNLESS OTHERWISE SPECIFIED:                                               | OWN: R. GRZYBOWSKI 02FEB05 | CHK: M. PERCHERKE 02FEB05   | APV: M. PERCHERKE 02FEB05 | NAME: R. GRZYBOWSKI |
| INCHES      | 0 PLC ±.01<br>2 PLC ±.01<br>3 PLC ±.01<br>4 PLC ±.005<br>5 PLC ±.005<br>ANGLES ±.002 | PRODUCT SPEC: 108-1973     | APPLICATION SPEC: 114-13038 | WEIGHT: -                 | RESTRICTED TO: -    |
| MATERIAL:   | FINISH:                                                                              | CUSTOMER DRAWING           | SCALE: 4:1                  | SHEET: 3 OF 24            | REV: M2             |

STE TE Connectivity  
 RIGHT ANGLE HEADER W/GUIDES ASSEMBLY MULTI-BEAM XL  
 SIZE: A100779 C=6450120

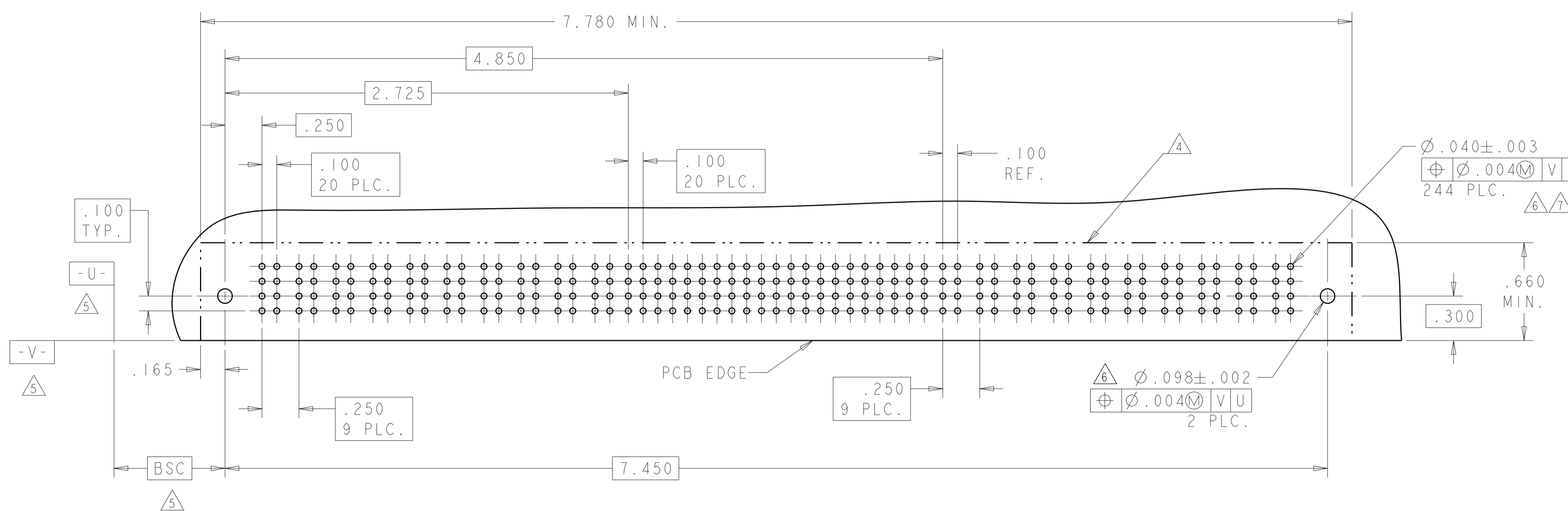
| LOC |  | DIST |  | REVISIONS |     |             |     |      |
|-----|--|------|--|-----------|-----|-------------|-----|------|
| ES  |  | 00   |  | P         | LTN | DESCRIPTION |     |      |
|     |  |      |  |           |     | DATE        | DWN | APVD |
|     |  |      |  | -         |     | SEE SHEET 1 | -   | -    |

| PART NUMBER   | ROWS | POWER |    |    |    |    |    | SIGNAL |   |   |   |   |   |   |   | POWER |    |    |     |     |     |
|---------------|------|-------|----|----|----|----|----|--------|---|---|---|---|---|---|---|-------|----|----|-----|-----|-----|
|               |      | P1    | P2 | P3 | P4 | P5 | P6 | P7     | 1 | 2 | 3 | 4 | 5 | 6 | 7 | 8     | P8 | P9 | P10 | P11 | P12 |
| 6450120-5     | D    | PM    | PM | PM | PM | PM | PM | J      | J | J | J | J | J | J | J | PM    | PM | PM | PM  | PM  | PM  |
|               | K    |       |    |    |    |    |    | K      | K | K | K | K | K | K |   |       |    |    |     |     |     |
|               | N    |       |    |    |    |    |    | N      | N | N | N | N | N | N |   |       |    |    |     |     |     |
|               | A    |       |    |    |    |    |    | S      | S | S | S | S | S | S |   |       |    |    |     |     |     |
| 7P + 32S + 6P |      |       |    |    |    |    |    |        |   |   |   |   |   |   |   |       |    |    |     |     |     |

| PART NUMBER     | ROWS | POWER |    |    | SIGNAL |   |   |   |   |   | POWER |    |    |    |    |    |
|-----------------|------|-------|----|----|--------|---|---|---|---|---|-------|----|----|----|----|----|
|                 |      | P1    | P2 | P3 | 1      | 2 | 3 | 4 | 5 | 6 | P4    | P5 | P6 | P7 | P8 |    |
| 6450120-7       | D    | PM    | PM | PM | J      | J | J | J | J | J | J     | PM | PM | PM | PM | PM |
|                 | K    |       |    |    | K      | K | K | K | K |   |       |    |    |    |    |    |
|                 | N    |       |    |    | N      | N | N | N | N |   |       |    |    |    |    |    |
|                 | A    |       |    |    | S      | S | S | S | S | S |       |    |    |    |    |    |
| 3ACP + 24S + 5P |      |       |    |    |        |   |   |   |   |   |       |    |    |    |    |    |



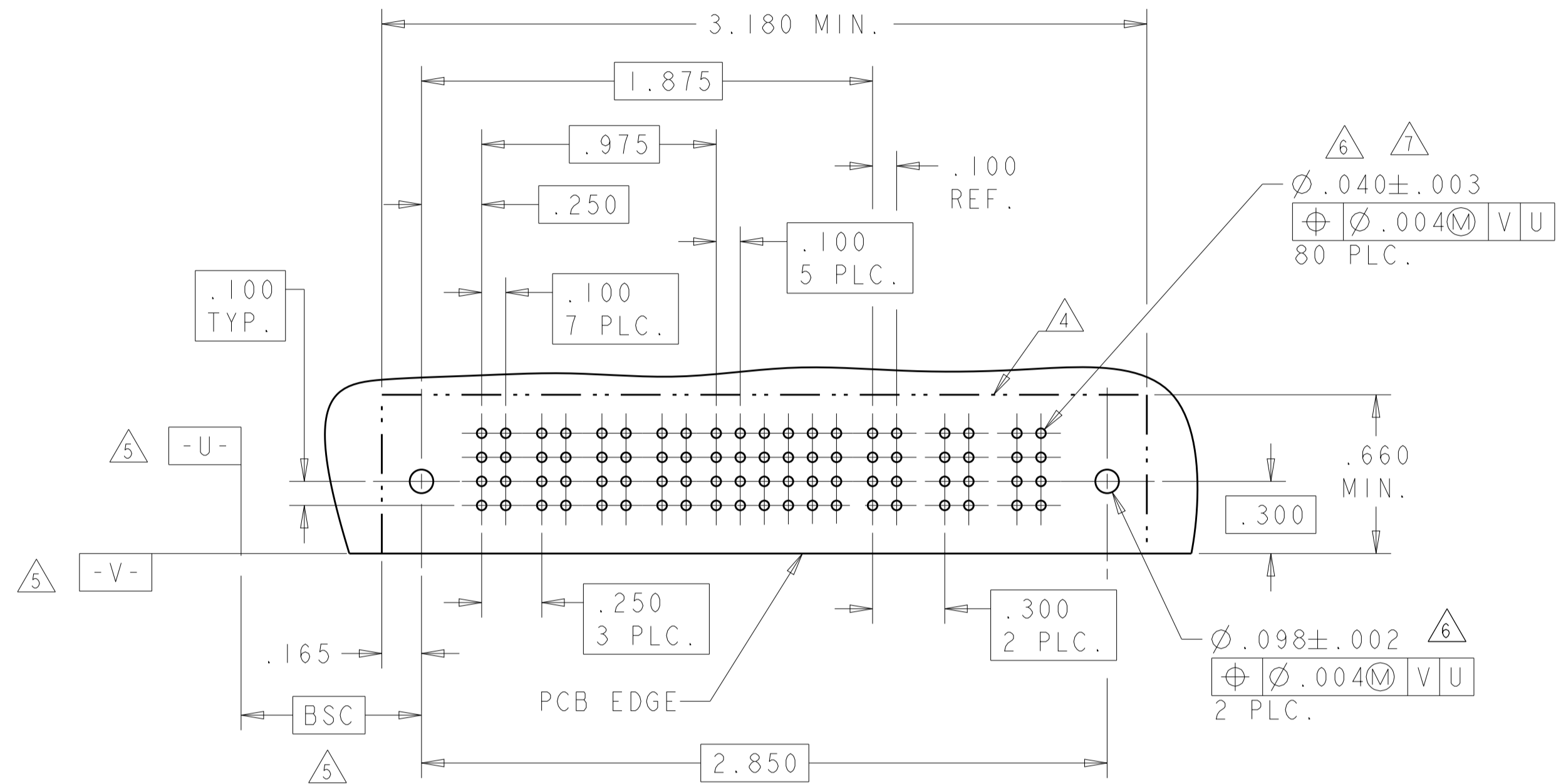
| PART NUMBER     | ROWS | POWER |    |    |    |    |    |    |    |    |     | SIGNAL |   |   |   |   |   |   |   |   |    | POWER |    |    |    |    |    |    |    |    |    |    |     |     |     |     |     |     |     |     |     |     |   |   |   |
|-----------------|------|-------|----|----|----|----|----|----|----|----|-----|--------|---|---|---|---|---|---|---|---|----|-------|----|----|----|----|----|----|----|----|----|----|-----|-----|-----|-----|-----|-----|-----|-----|-----|-----|---|---|---|
|                 |      | P1    | P2 | P3 | P4 | P5 | P6 | P7 | P8 | P9 | P10 | 1      | 2 | 3 | 4 | 5 | 6 | 7 | 8 | 9 | 10 | 11    | 12 | 13 | 14 | 15 | 16 | 17 | 18 | 19 | 20 | 21 | P11 | P12 | P13 | P14 | P15 | P16 | P17 | P18 | P19 | P20 |   |   |   |
| 6450120-6       | D    | PM    | PM | PM | PM | PM | PM | PM | PM | PM | J   | J      | J | J | J | J | J | J | J | J | J  | J     | J  | J  | J  | J  | J  | J  | J  | PM | PM | PM | PM  | PM  | PM  | PM  | PM  | PM  | PM  |     |     |     |   |   |   |
|                 | K    |       |    |    |    |    |    |    |    |    | K   | K      | K | K | K | K | K | K | K | K | K  | K     | K  | K  | K  | K  | K  | K  | K  |    |    |    |     |     |     |     |     |     |     | K   | K   | K   | K | K | K |
|                 | N    |       |    |    |    |    |    |    |    |    | N   | N      | N | N | N | N | N | N | N | N | N  | N     | N  | N  | N  | N  | N  | N  | N  |    |    |    |     |     |     |     |     |     |     | N   | N   | N   | N | N | N |
|                 | A    |       |    |    |    |    |    |    |    |    | S   | S      | S | S | S | S | S | S | S | S | S  | S     | S  | S  | S  | S  | S  | S  | S  | S  | S  |    |     |     |     |     |     |     |     |     |     |     |   |   |   |
| 10P + 84S + 10P |      |       |    |    |    |    |    |    |    |    |     |        |   |   |   |   |   |   |   |   |    |       |    |    |    |    |    |    |    |    |    |    |     |     |     |     |     |     |     |     |     |     |   |   |   |



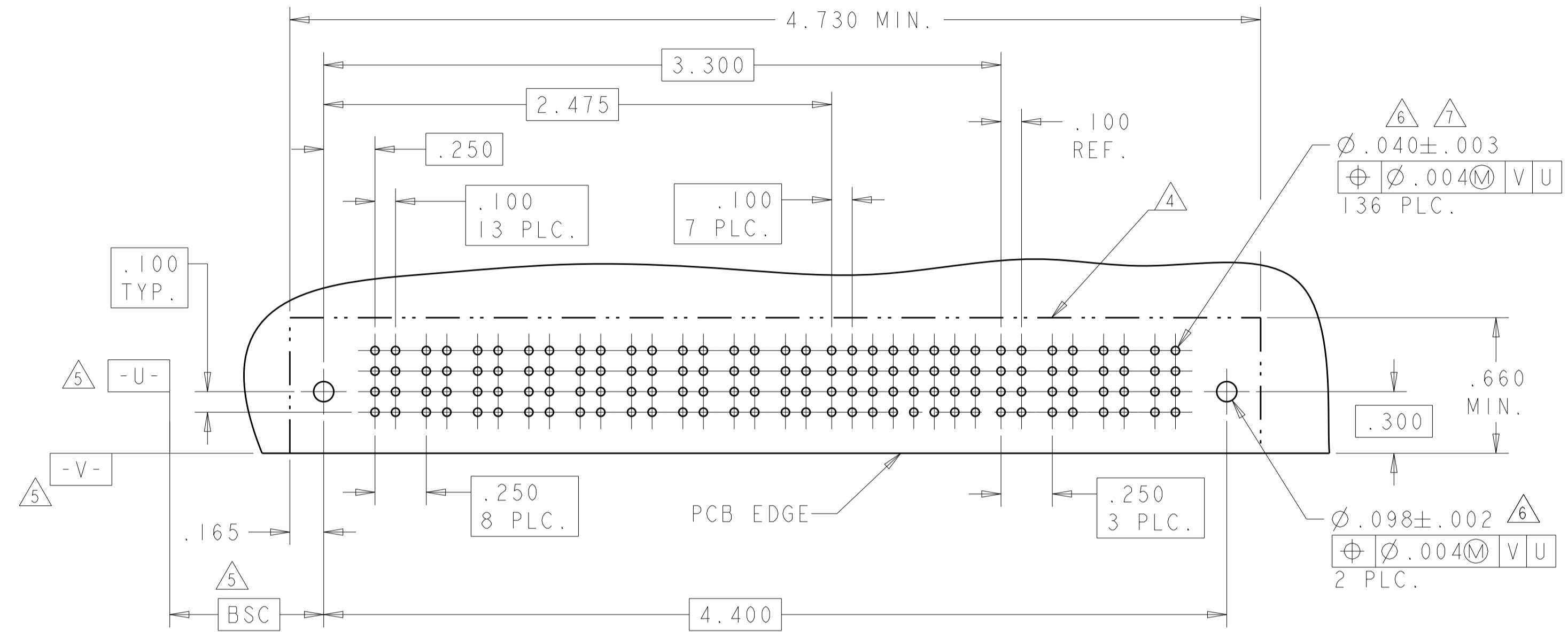
|                                                                                                                              |  |                                                           |         |                                                            |
|------------------------------------------------------------------------------------------------------------------------------|--|-----------------------------------------------------------|---------|------------------------------------------------------------|
| THIS DRAWING IS A CONTROLLED DOCUMENT.                                                                                       |  | DWN<br>R. GRZYBOWSKI                                      | 02FEB05 | <b>STE</b> TE Connectivity                                 |
| DIMENSIONS:<br>INCHES                                                                                                        |  | CHK<br>M. PERCHERKE                                       | 02FEB05 |                                                            |
| TOLERANCES UNLESS OTHERWISE SPECIFIED:<br>0 PLC ±.<br>1 PLC ±.01<br>2 PLC ±.01<br>3 PLC ±.005<br>4 PLC ±.0020<br>ANGLES ±.02 |  | APVD<br>M. PERCHERKE                                      |         | NAME<br>RIGHT ANGLE HEADER W/GUIDES ASSEMBLY MULTI-BEAM XL |
| MATERIAL<br>FINISH                                                                                                           |  | PRODUCT SPEC<br>108-1973<br>APPLICATION SPEC<br>114-13038 |         | SIZE<br>A                                                  |
| CUSTOMER DRAWING                                                                                                             |  | WEIGHT<br>SCALE 4:1                                       |         | DRAWING NO<br>6450120                                      |
|                                                                                                                              |  | SHEET 4 OF 24                                             |         | REV. M2                                                    |

| LOC         |    | DIST |     | REVISIONS   |      |     |      |
|-------------|----|------|-----|-------------|------|-----|------|
| ES          | 00 | P    | LTM | DESCRIPTION | DATE | OWN | APVD |
| SEE SHEET 1 |    |      |     |             |      |     |      |

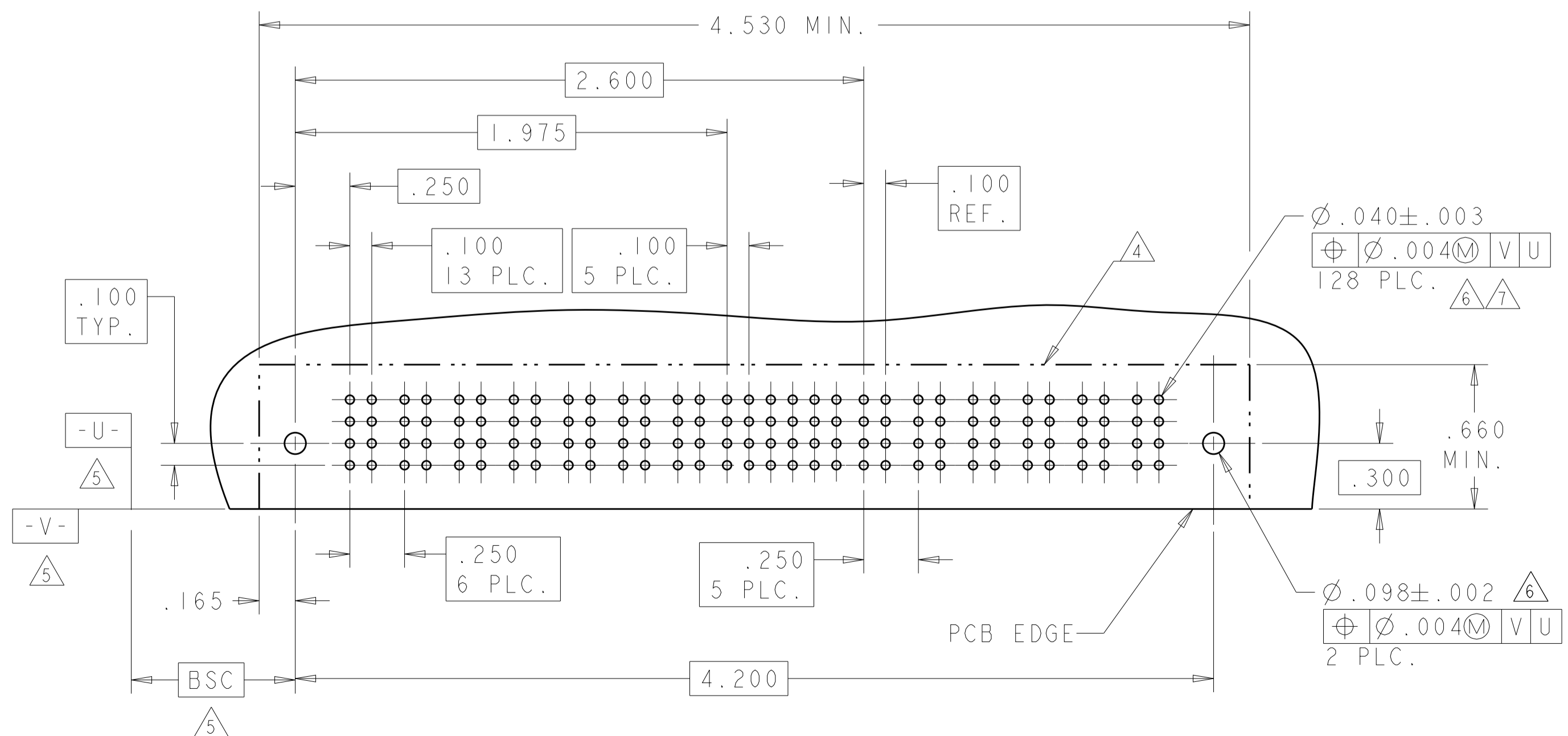
| PART NUMBER     | ROWS | POWER |    |    |    | SIGNAL |   |   |   |   |   | POWER |    |    |
|-----------------|------|-------|----|----|----|--------|---|---|---|---|---|-------|----|----|
|                 |      | P1    | P2 | P3 | P4 | 1      | 2 | 3 | 4 | 5 | 6 | P5    | P6 | P7 |
| 6450120-8       | D    | PM    | PM | PM | PM | J      | J | J | J | J | J | PM    | PM | PM |
|                 | C    |       |    |    |    | K      | K | K | K | K | K |       |    |    |
|                 | B    |       |    |    |    | N      | N | N | N | N | N |       |    |    |
| A               | S    | S     | S  | S  | S  | S      |   |   |   |   |   |       |    |    |
| 4P + 24S + 3ACP |      |       |    |    |    |        |   |   |   |   |   |       |    |    |



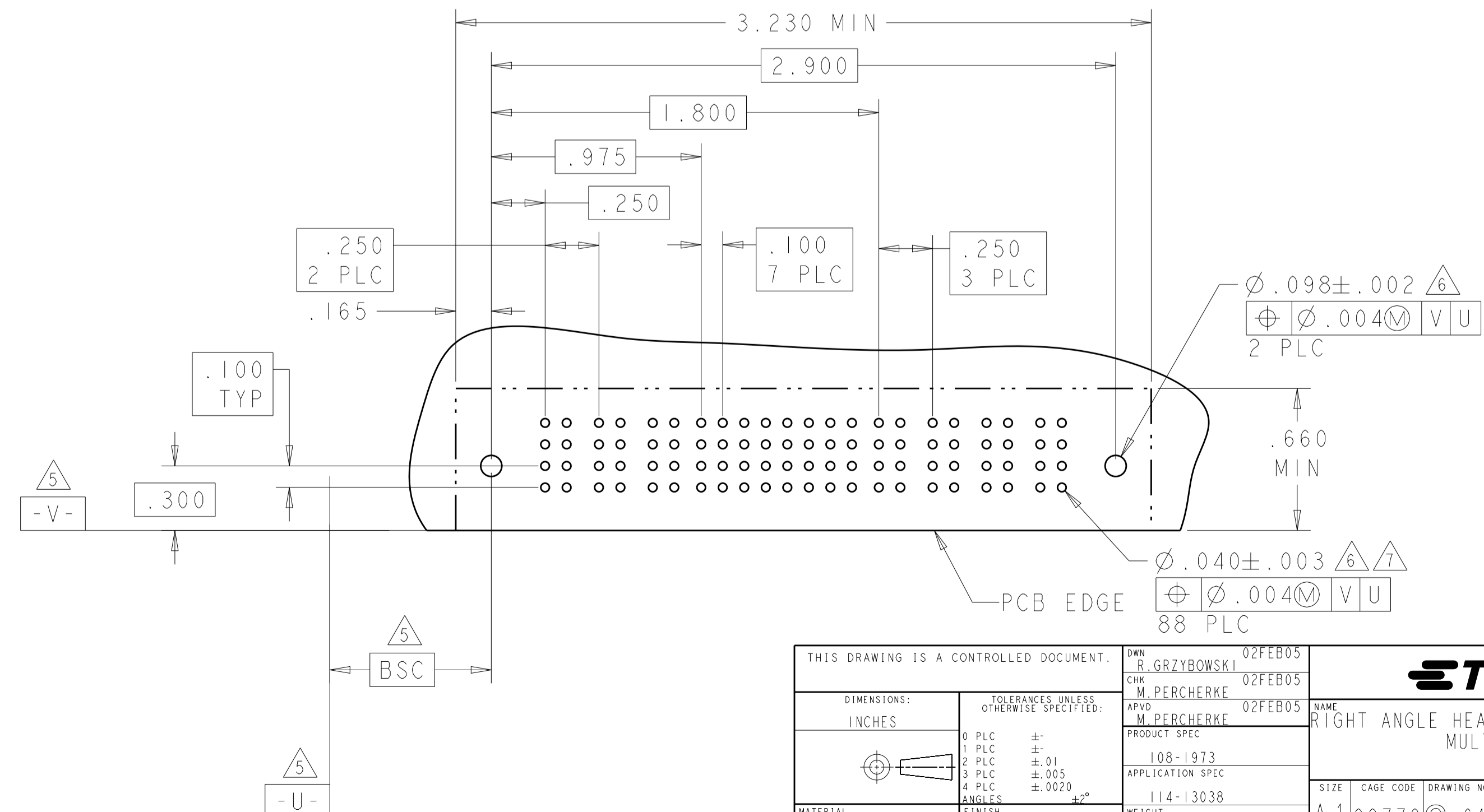
| PART NUMBER   | ROWS | POWER |    |    |    |    |    |    |    |    | SIGNAL |   |   |   |   |   |   |   | POWER |     |     |     |  |
|---------------|------|-------|----|----|----|----|----|----|----|----|--------|---|---|---|---|---|---|---|-------|-----|-----|-----|--|
|               |      | P1    | P2 | P3 | P4 | P5 | P6 | P7 | P8 | P9 | 1      | 2 | 3 | 4 | 5 | 6 | 7 | 8 | P10   | P11 | P12 | P13 |  |
| I-6450120-0   | D    | PM    | PM | PM | PM | PM | PM | PM | PM | PM | J      | J | J | J | J | J | J | J | PM    | PM  | PM  | PM  |  |
|               | C    |       |    |    |    |    |    |    |    |    | K      | K | K | K | K | K | K |   |       |     |     |     |  |
|               | B    |       |    |    |    |    |    |    |    |    | N      | N | N | N | N | N | N |   |       |     |     |     |  |
| A             | S    | S     | S  | S  | S  | S  | S  | S  |    |    |        |   |   |   |   |   |   |   |       |     |     |     |  |
| 9P + 32S + 4P |      |       |    |    |    |    |    |    |    |    |        |   |   |   |   |   |   |   |       |     |     |     |  |



| PART NUMBER   | ROWS | POWER |    |    |    |    |    |    | SIGNAL |   |   |   |   |    | POWER |    |     |     |     |
|---------------|------|-------|----|----|----|----|----|----|--------|---|---|---|---|----|-------|----|-----|-----|-----|
|               |      | P1    | P2 | P3 | P4 | P5 | P6 | P7 | 1      | 2 | 3 | 4 | 5 | 6  | P8    | P9 | P10 | P11 | P12 |
| 6450120-9     | D    | PM    | PM | PM | PM | PM | PM | J  | J      | J | J | J | J | PM | PM    | PM | PM  | PM  | PM  |
|               | C    |       |    |    |    |    |    | K  | K      | K | K | K |   |    |       |    |     |     |     |
|               | B    |       |    |    |    |    |    | N  | N      | N | N | N | N |    |       |    |     |     |     |
| A             | S    | S     | S  | S  | S  | S  |    |    |        |   |   |   |   |    |       |    |     |     |     |
| 7P + 24S + 6P |      |       |    |    |    |    |    |    |        |   |   |   |   |    |       |    |     |     |     |



| PART NUMBER   | ROWS | POWER |    |    | SIGNAL |   |   |   |   |   |   |   | POWER |    |    |    |
|---------------|------|-------|----|----|--------|---|---|---|---|---|---|---|-------|----|----|----|
|               |      | P1    | P2 | P3 | 1      | 2 | 3 | 4 | 5 | 6 | 7 | 8 | P4    | P5 | P6 | P7 |
| 2-1450120-1   | 4    | PM    | PM | PM | J      | J | J | J | J | J | J | J | PM    | PM | PM | PM |
|               | 3    |       |    |    | K      | K | K | K | K | K | K |   |       |    |    |    |
|               | 2    |       |    |    | N      | N | N | N | N | N | N |   |       |    |    |    |
| 1             | S    | S     | S  | S  | S      | S | S |   |   |   |   |   |       |    |    |    |
| 3P + 32S + 4P |      |       |    |    |        |   |   |   |   |   |   |   |       |    |    |    |



THIS DRAWING IS A CONTROLLED DOCUMENT.

|             |              |                                        |               |
|-------------|--------------|----------------------------------------|---------------|
| DIMENSIONS: |              | TOLERANCES UNLESS OTHERWISE SPECIFIED: |               |
| INCHES:     | 0 PLC ± .01  | 1 PLC ± .01                            | 2 PLC ± .01   |
|             | 3 PLC ± .005 | 4 PLC ± .002                           | ANGLES ± .002 |
| MATERIAL:   | FINISH:      | WEIGHT:                                |               |

OWN: R. GRZYBOWSKI 02FEB05  
 CHK: M. PERCHERKE 02FEB05  
 APVD: M. PERCHERKE 02FEB05

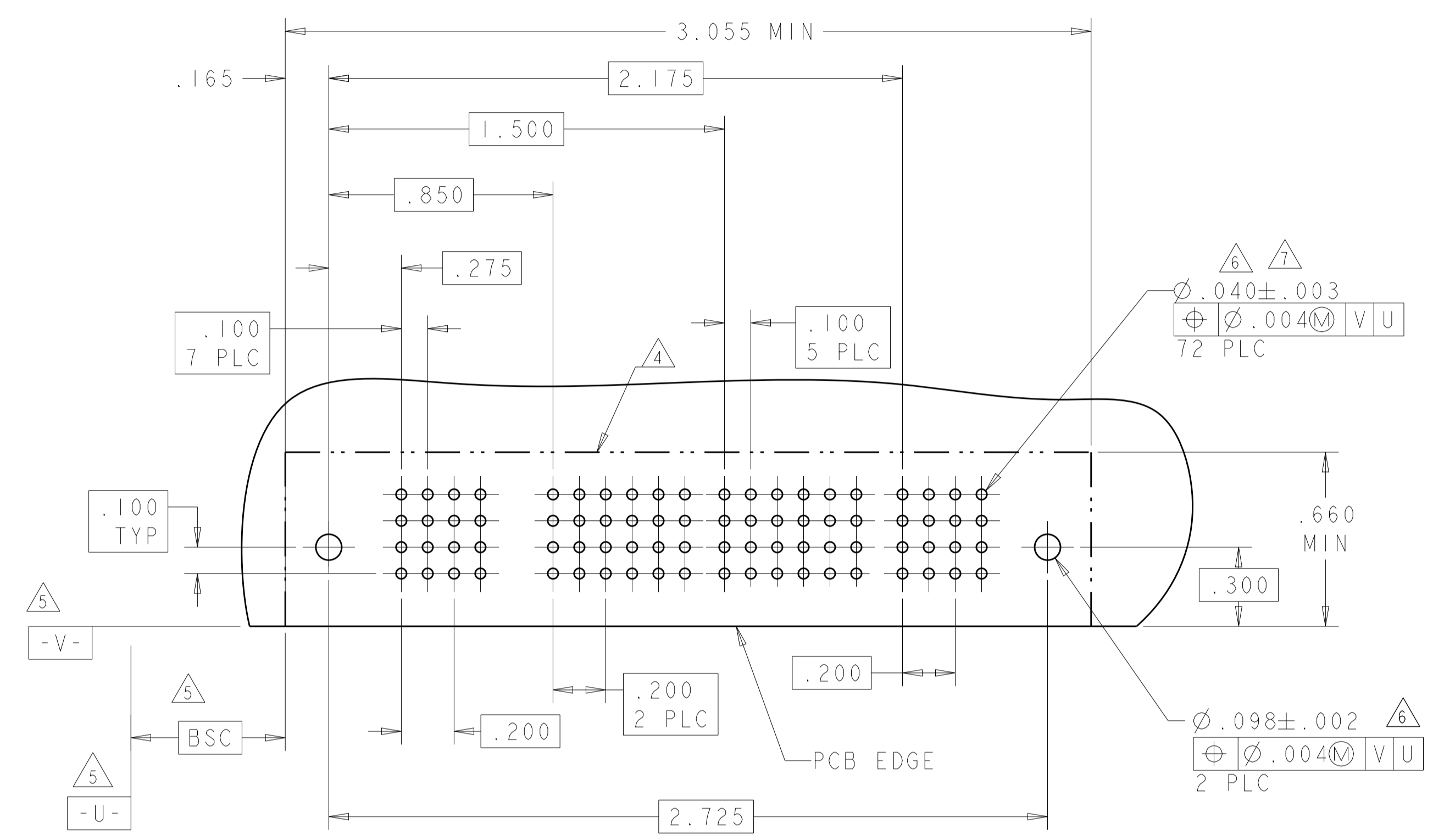
NAME: RIGHT ANGLE HEADER W/GUIDES ASSEMBLY MULTI-BEAM XL  
 PRODUCT SPEC: 108-1973  
 APPLICATION SPEC: 114-13038

SIZE: A1  
 CAGE CODE: 100779  
 DRAWING NO: 6450120  
 SHEET 5 OF 24

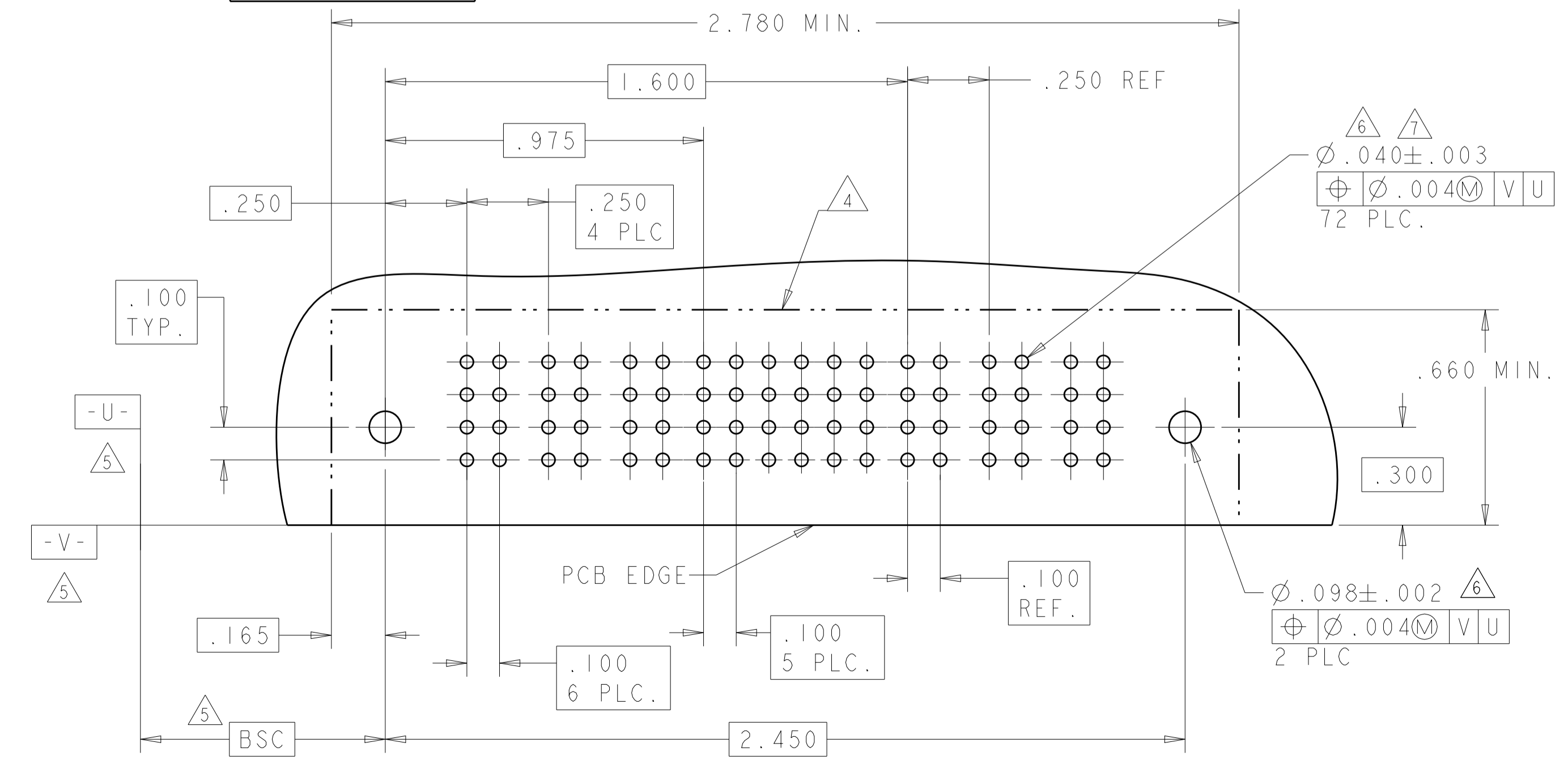
SCALE: 4:1  
 REV: M2



| PART NUMBER   | ROWS | POWER |    |    |    |    | SIGNAL |   |   |   |   |    | POWER |    |  |
|---------------|------|-------|----|----|----|----|--------|---|---|---|---|----|-------|----|--|
|               |      | P1    | P2 | P3 | P4 | P5 | 1      | 2 | 3 | 4 | 5 | 6  | P6    | P7 |  |
| 1-6450120-1   | D    | PM    | PM | PM | PM | J  | J      | J | J | J | J | PM | PM    | HD |  |
|               | C    |       |    |    |    | K  | K      | K | K | K | K |    |       |    |  |
|               | B    |       |    |    |    | N  | N      | N | N | N | N |    |       |    |  |
|               | A    |       |    |    |    | S  | S      | S | S | S | S |    |       |    |  |
| 5P + 24S + 2P |      |       |    |    |    |    |        |   |   |   |   |    |       |    |  |



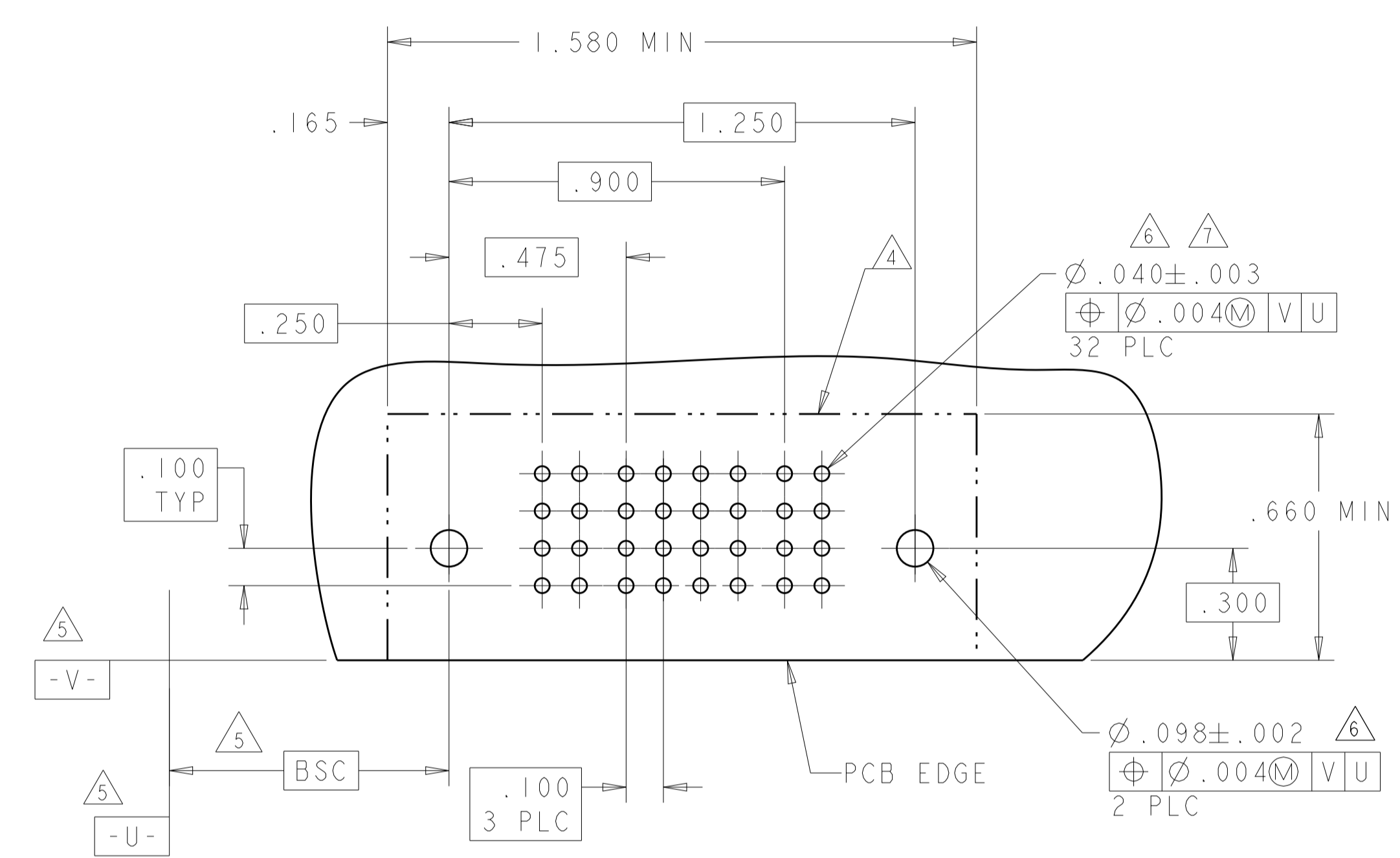
| PART NUMBER   | ROWS | POWER |    |    | SIGNAL |   |   |   |   |   | POWER |    |    |
|---------------|------|-------|----|----|--------|---|---|---|---|---|-------|----|----|
|               |      | P1    | P2 | P3 | 1      | 2 | 3 | 4 | 5 | 6 | P4    | P5 | P6 |
| 1-6450120-2   | D    | PM    | PM | PM | J      | J | J | J | J | J | PM    | PM | PM |
|               | C    |       |    |    | K      | K | K | K | K | K |       |    |    |
|               | B    |       |    |    | N      | N | N | N | N | N |       |    |    |
|               | A    |       |    |    | S      | S | S | S | S | S |       |    |    |
| 3P + 24S + 3P |      |       |    |    |        |   |   |   |   |   |       |    |    |



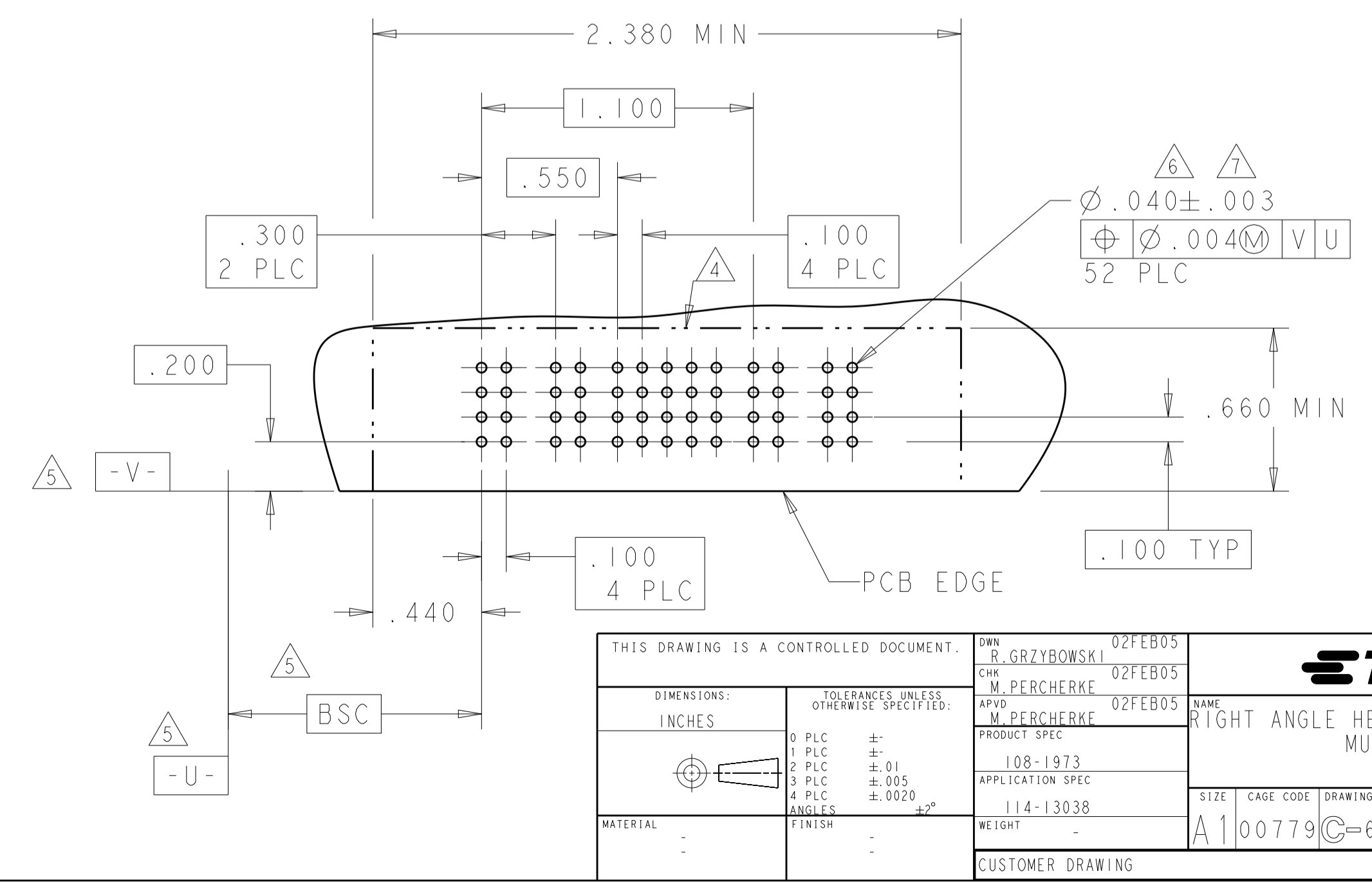
| LOC | DIST | REV | DATE | BY | APPD |
|-----|------|-----|------|----|------|
| ES  | 00   |     |      |    |      |

| REV | DATE | BY | APPD | DESCRIPTION |
|-----|------|----|------|-------------|
|     |      |    |      | SEE SHEET 1 |

| PART NUMBER   | ROWS | POWER |    | SIGNAL |   |   |   | POWER |
|---------------|------|-------|----|--------|---|---|---|-------|
|               |      | P1    | P2 | 1      | 2 | 3 | 4 | P2    |
| 1-6450120-3   | D    | PM    | PM | J      | J | J | J | PM    |
|               | C    |       |    | K      | K | K | K |       |
|               | B    |       |    | N      | N | N | N |       |
|               | A    |       |    | S      | S | S | S |       |
| 1P + 16S + 1P |      |       |    |        |   |   |   |       |



| PART NUMBER   | ROWS | POWER |    | SIGNAL |   |   |   |   | POWER |    |  |
|---------------|------|-------|----|--------|---|---|---|---|-------|----|--|
|               |      | P1    | P2 | 1      | 2 | 3 | 4 | 5 | P3    | P4 |  |
| 1-6450120-4   | D    | PM    | PM | J      | J | J | J | J | PM    | PM |  |
|               | C    |       |    | K      | K | K | K | K |       |    |  |
|               | B    |       |    | N      | N | N | N | N |       |    |  |
|               | A    |       |    | S      | S | S | S | S |       |    |  |
| 2P + 20S + 2P |      |       |    |        |   |   |   |   |       |    |  |

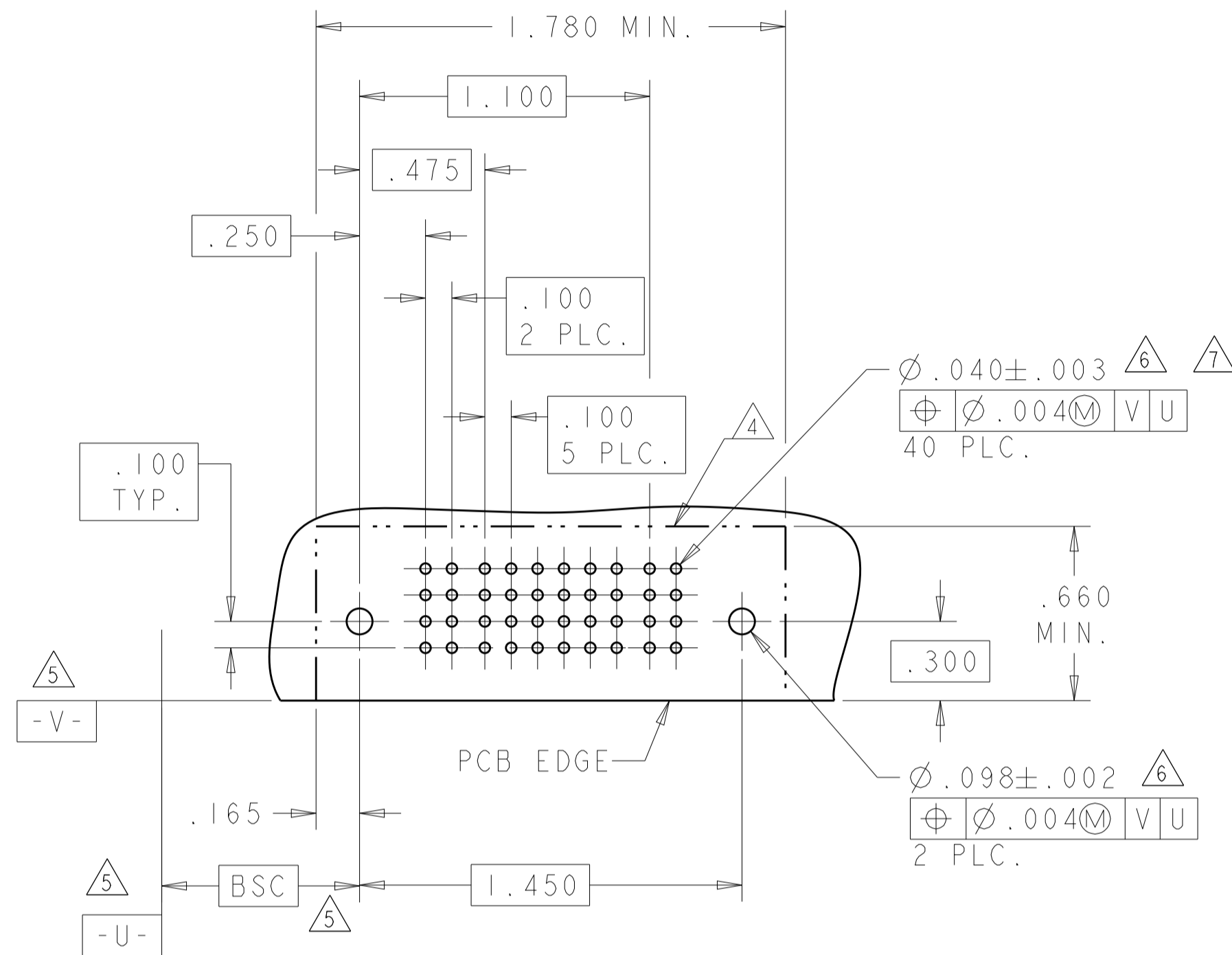


THIS DRAWING IS A CONTROLLED DOCUMENT. DIMENSIONS: INCHES. TOLERANCES UNLESS OTHERWISE SPECIFIED: 0 PLC ±.01, 1 PLC ±.01, 2 PLC ±.01, 3 PLC ±.005, 4 PLC ±.002, ANGLES ±.020. MATERIAL: FINISH:

|                            |         |                                                                       |
|----------------------------|---------|-----------------------------------------------------------------------|
| DWN: R. GRZYBOWSKI         | 02FEB05 | TE Connectivity<br>RIGHT ANGLE HEADER W/GUIDES ASSEMBLY MULTI-BEAM XL |
| CHK: M. PERCHERKE          | 02FEB05 |                                                                       |
| APPD: M. PERCHERKE         | 02FEB05 |                                                                       |
| PRODUCT SPEC 108-1973      |         | NAME                                                                  |
| APPLICATION SPEC 114-13038 |         | SIZE                                                                  |
| WEIGHT                     |         | SCALE 4:1                                                             |
| CUSTOMER DRAWING           |         | SHEET 6 OF 24                                                         |

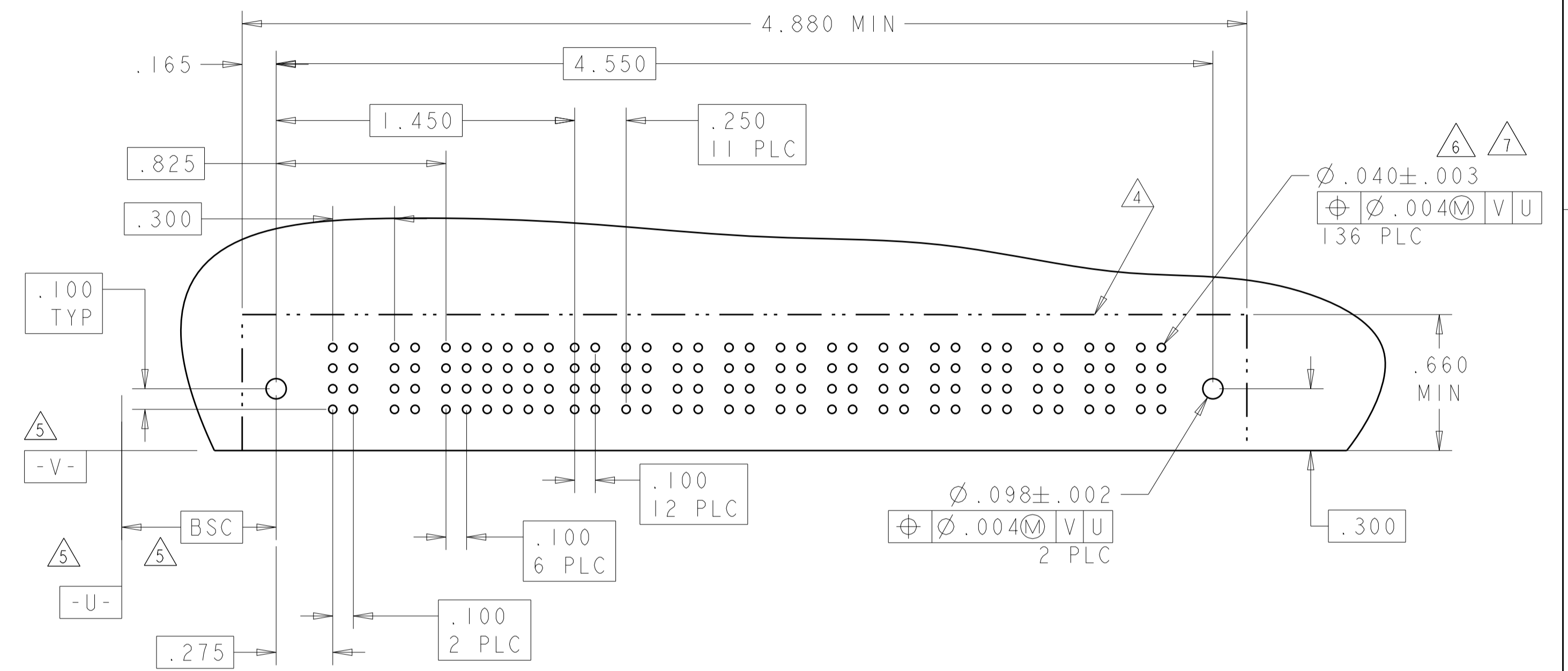
RESTRICTED TO

| PART NUMBER   | ROWS | POWER |    | SIGNAL |   |   |   |   |   | POWER |    |    |    |
|---------------|------|-------|----|--------|---|---|---|---|---|-------|----|----|----|
|               |      | P1    | P2 | 1      | 2 | 3 | 4 | 5 | 6 | P7    | P8 |    |    |
| 1-6450120-6   | D    | PA    | PA | Z      | Z | Z | Z | Z | Z | PA    | PA | HD | HD |
|               | C    |       |    | Y      | Y | Y | Y | Y | Y |       |    |    |    |
|               | B    |       |    | R      | R | R | R | R | R |       |    |    |    |
| A             | O    | O     | O  | O      | O | O |   |   |   |       |    |    |    |
| IP + 24S + IP |      |       |    |        |   |   |   |   |   |       |    |    |    |

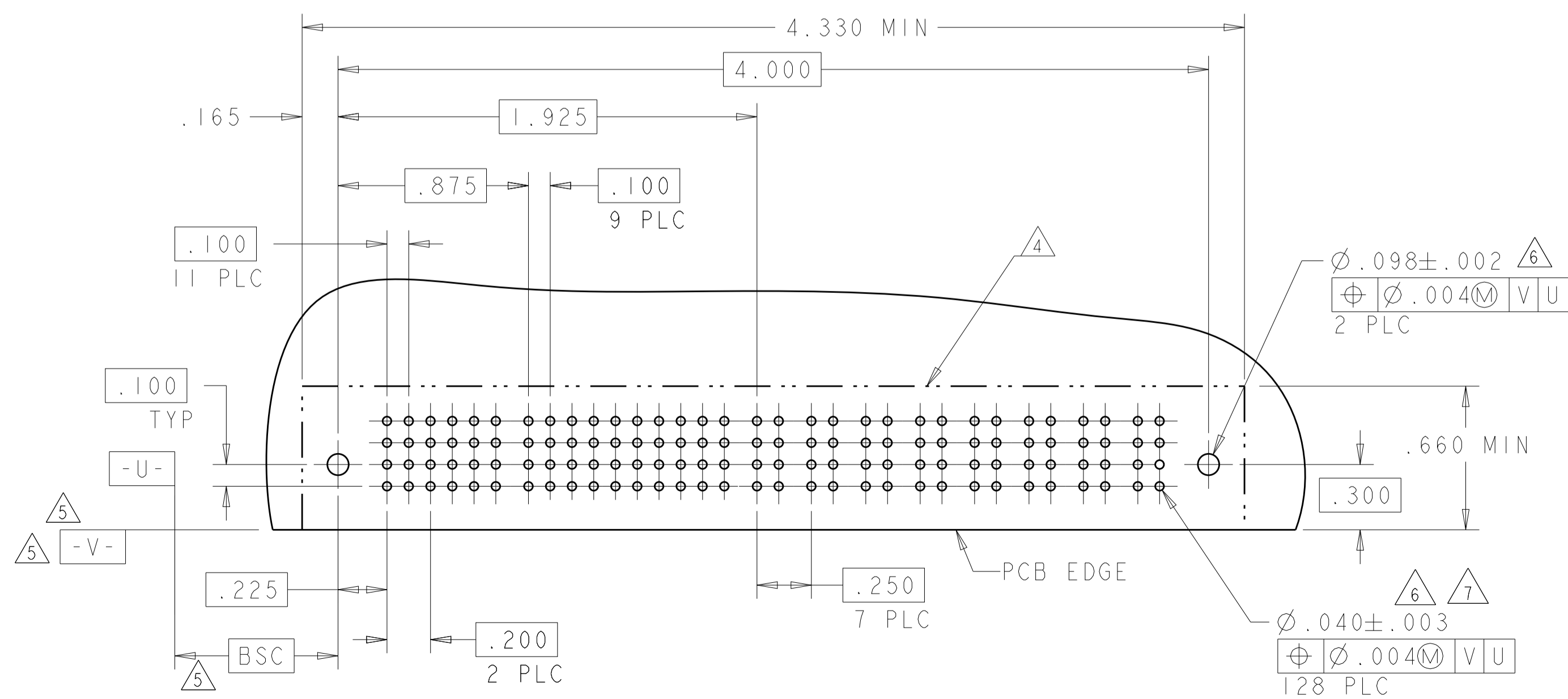


| LOC | DIST | REV | DATE | APP'D |
|-----|------|-----|------|-------|
| ES  | 00   |     |      |       |

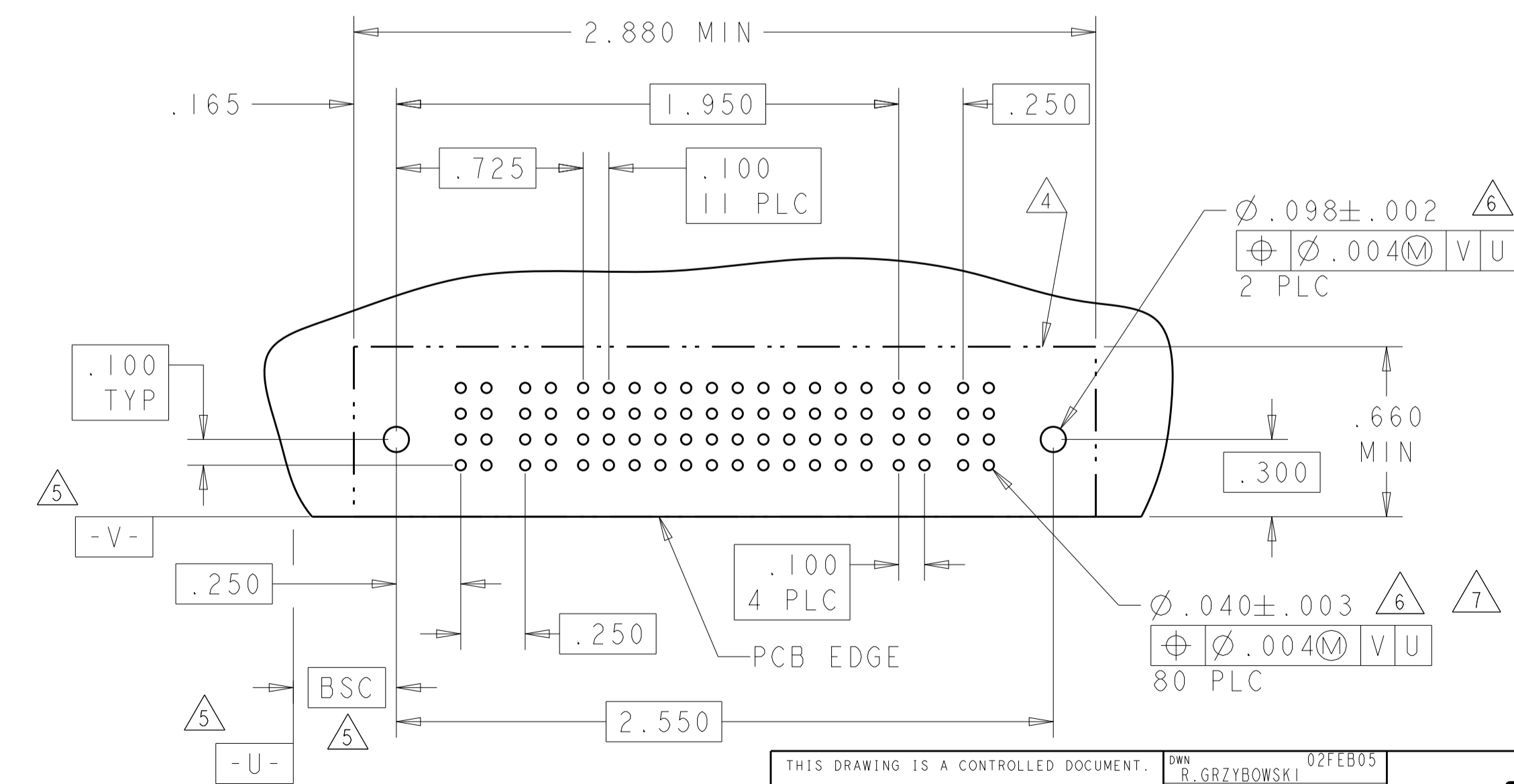
| PART NUMBER      | ROWS | POWER |    | SIGNAL |   |   |   |   |   | POWER |    |    |    |    |    |    |     |     |     |     |     |    |    |    |    |    |    |    |    |
|------------------|------|-------|----|--------|---|---|---|---|---|-------|----|----|----|----|----|----|-----|-----|-----|-----|-----|----|----|----|----|----|----|----|----|
|                  |      | P1    | P2 | 1      | 2 | 3 | 4 | 5 | 6 | P3    | P4 | P5 | P6 | P7 | P8 | P9 | P10 | P11 | P12 | P13 | P14 |    |    |    |    |    |    |    |    |
| 2-6450120-2      | D    | PM    | PM | J      | J | J | J | J | J | PM    | PM | PM | PM | PM | PM | PM | PM  | PM  | PM  | PM  | PM  | PM | PM | PM | PM | PM | PM | PM | PM |
|                  | C    |       |    | K      | K | K | K | K | K |       |    |    |    |    |    |    |     |     |     |     |     |    |    |    |    |    |    |    |    |
|                  | B    |       |    | N      | N | N | N | N | N |       |    |    |    |    |    |    |     |     |     |     |     |    |    |    |    |    |    |    |    |
| A                | S    | S     | S  | S      | S | S |   |   |   |       |    |    |    |    |    |    |     |     |     |     |     |    |    |    |    |    |    |    |    |
| 2ACP + 24S + 12P |      |       |    |        |   |   |   |   |   |       |    |    |    |    |    |    |     |     |     |     |     |    |    |    |    |    |    |    |    |



| PART NUMBER   | ROWS | POWER |    |    | SIGNAL |   |   |   |   |   |   |   |   |    | POWER |    |    |    |    |    |     |     |    |    |    |    |    |    |    |    |
|---------------|------|-------|----|----|--------|---|---|---|---|---|---|---|---|----|-------|----|----|----|----|----|-----|-----|----|----|----|----|----|----|----|----|
|               |      | P1    | P2 | P3 | 1      | 2 | 3 | 4 | 5 | 6 | 7 | 8 | 9 | 10 | P4    | P5 | P6 | P7 | P8 | P9 | P10 | P11 |    |    |    |    |    |    |    |    |
| 2-6450120-0   | D    | PM    | PM | PM | J      | J | J | J | J | J | J | J | J | J  | PM    | PM | PM | PM | PM | PM | PM  | PM  | PM | PM | PM | PM | PM | PM | PM | PM |
|               | C    |       |    |    | K      | K | K | K | K | K | K | K | K |    |       |    |    |    |    |    |     |     |    |    |    |    |    |    |    |    |
|               | B    |       |    |    | N      | N | N | N | N | N | N | N | N | N  |       |    |    |    |    |    |     |     |    |    |    |    |    |    |    |    |
| A             | S    | S     | S  | S  | S      | S | S | S | S |   |   |   |   |    |       |    |    |    |    |    |     |     |    |    |    |    |    |    |    |    |
| 3P + 40S + 8P |      |       |    |    |        |   |   |   |   |   |   |   |   |    |       |    |    |    |    |    |     |     |    |    |    |    |    |    |    |    |



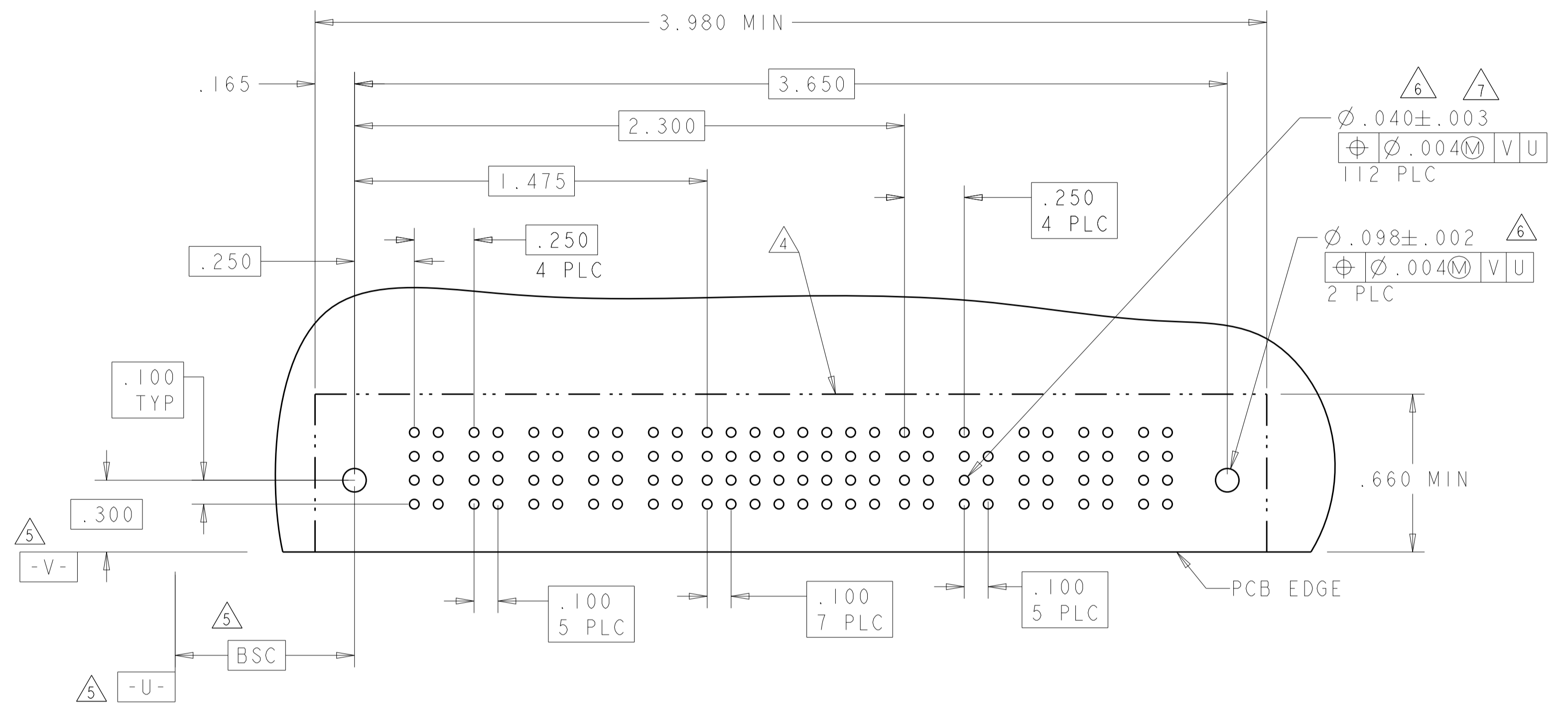
| PART NUMBER   | ROWS | POWER |    | SIGNAL |   |   |   |   |   |   |   |   |    |    |    | POWER |    |    |    |
|---------------|------|-------|----|--------|---|---|---|---|---|---|---|---|----|----|----|-------|----|----|----|
|               |      | P1    | P2 | 1      | 2 | 3 | 4 | 5 | 6 | 7 | 8 | 9 | 10 | 11 | 12 | P3    | P4 |    |    |
| 2-6450120-3   | D    | PM    | PM | J      | J | J | J | J | J | J | J | J | J  | J  | J  | PM    | PM | HD | HD |
|               | C    |       |    | K      | K | K | K | K | K | K | K | K | K  | K  |    |       |    |    |    |
|               | B    |       |    | N      | N | N | N | N | N | N | N | N | N  | N  | N  |       |    |    |    |
| A             | S    | S     | S  | S      | S | S | S | S | S |   |   |   |    |    |    |       |    |    |    |
| 2P + 48S + 2P |      |       |    |        |   |   |   |   |   |   |   |   |    |    |    |       |    |    |    |



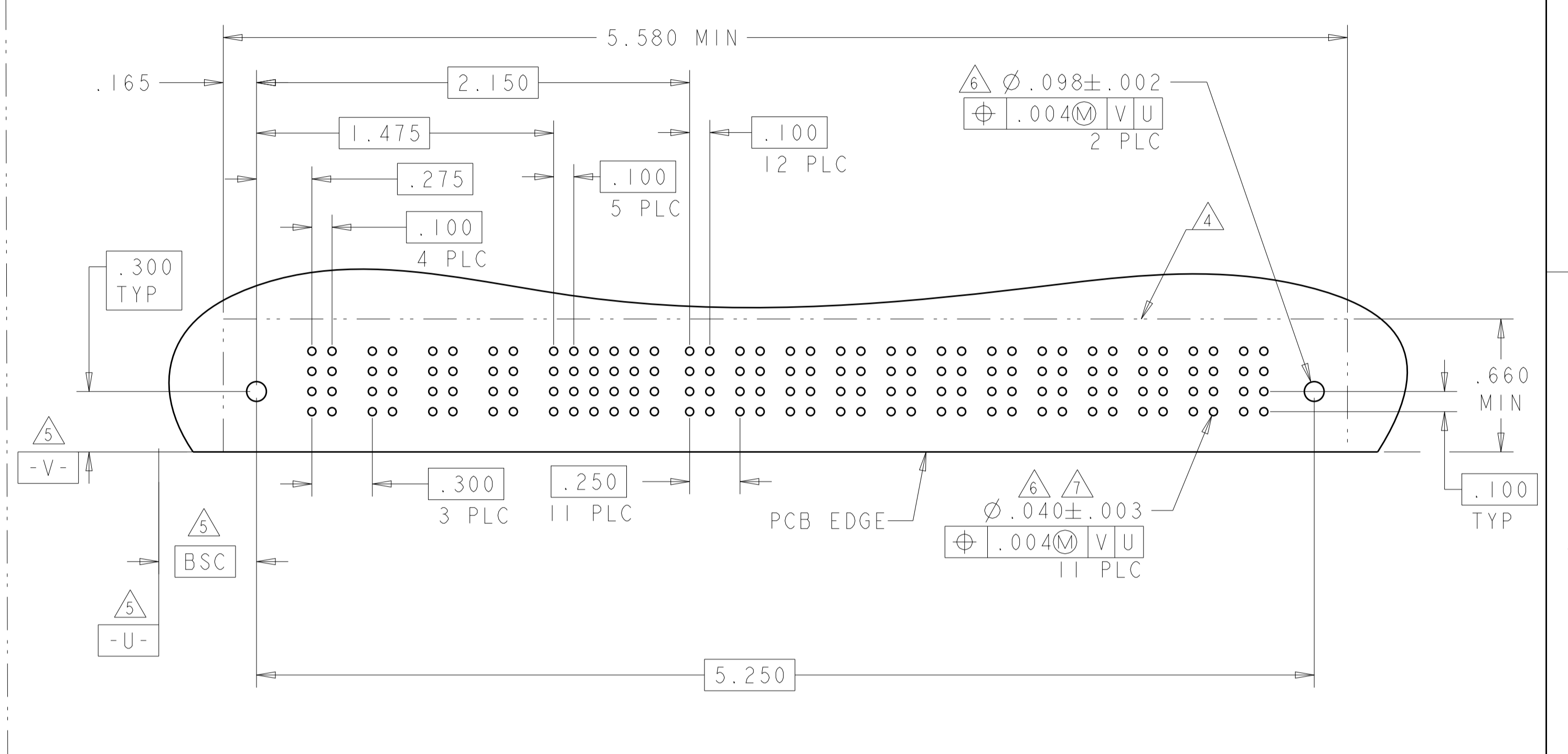
THIS DRAWING IS A CONTROLLED DOCUMENT.

|                           |                                                                                                                              |                                                                                                                                                               |                                                                                                                                                                        |                 |
|---------------------------|------------------------------------------------------------------------------------------------------------------------------|---------------------------------------------------------------------------------------------------------------------------------------------------------------|------------------------------------------------------------------------------------------------------------------------------------------------------------------------|-----------------|
| DIMENSIONS:<br>INCHES<br> | TOLERANCES UNLESS OTHERWISE SPECIFIED:<br>0 PLC ±.<br>1 PLC ±.01<br>2 PLC ±.01<br>3 PLC ±.005<br>4 PLC ±.002<br>ANGLES ±.020 | OWN: R. GRZYBOWSKI<br>CHK: M. PERCHERKE<br>APVD: M. PERCHERKE<br>PRODUCT SPEC: 108-1973<br>APPLICATION SPEC: 114-13038<br>WEIGHT: A100779<br>CUSTOMER DRAWING | 02FEB05<br>02FEB05<br>02FEB05<br>NAME: RIGHT ANGLE HEADER W/GUIDES ASSEMBLY MULTI-BEAM XL<br>SIZE: A1<br>CAGE CODE: 6450120<br>SCALE: 4:1<br>SHEET: 7 OF 24<br>REV: M2 | TE Connectivity |
|---------------------------|------------------------------------------------------------------------------------------------------------------------------|---------------------------------------------------------------------------------------------------------------------------------------------------------------|------------------------------------------------------------------------------------------------------------------------------------------------------------------------|-----------------|

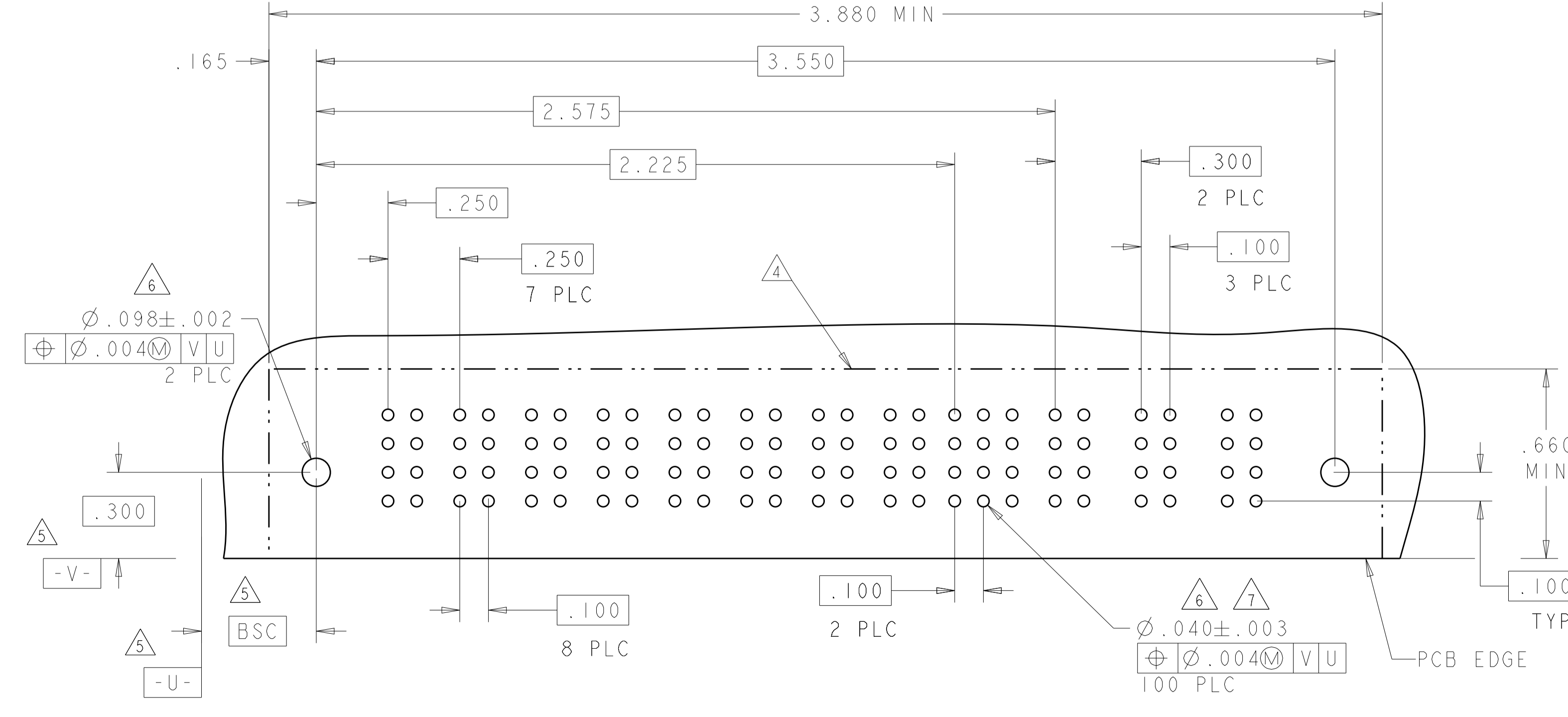
| PART NUMBER   | ROWS             |    | POWER |    |    |    |    | SIGNAL |   |   |   |   |   |   |   | POWER |    |    |    |     |
|---------------|------------------|----|-------|----|----|----|----|--------|---|---|---|---|---|---|---|-------|----|----|----|-----|
|               |                  |    | P1    | P2 | P3 | P4 | P5 | 1      | 2 | 3 | 4 | 5 | 6 | 7 | 8 | P6    | P7 | P8 | P9 | P10 |
| 2-6450120-4   | D<br>C<br>B<br>A | HD | PM    | PM | PM | PM | PM | J      | J | J | J | J | J | J | J | PM    | PM | PM | PM | PM  |
|               |                  |    |       |    |    |    |    | K      | K | K | K | K | K | K | K |       |    |    |    |     |
|               |                  |    |       |    |    |    |    | N      | N | N | N | N | N | N | N |       |    |    |    |     |
|               |                  |    |       |    |    |    |    | S      | S | S | S | S | S | S | S |       |    |    |    |     |
| 5P + 32S + 5P |                  |    |       |    |    |    |    |        |   |   |   |   |   |   |   |       |    |    |    |     |



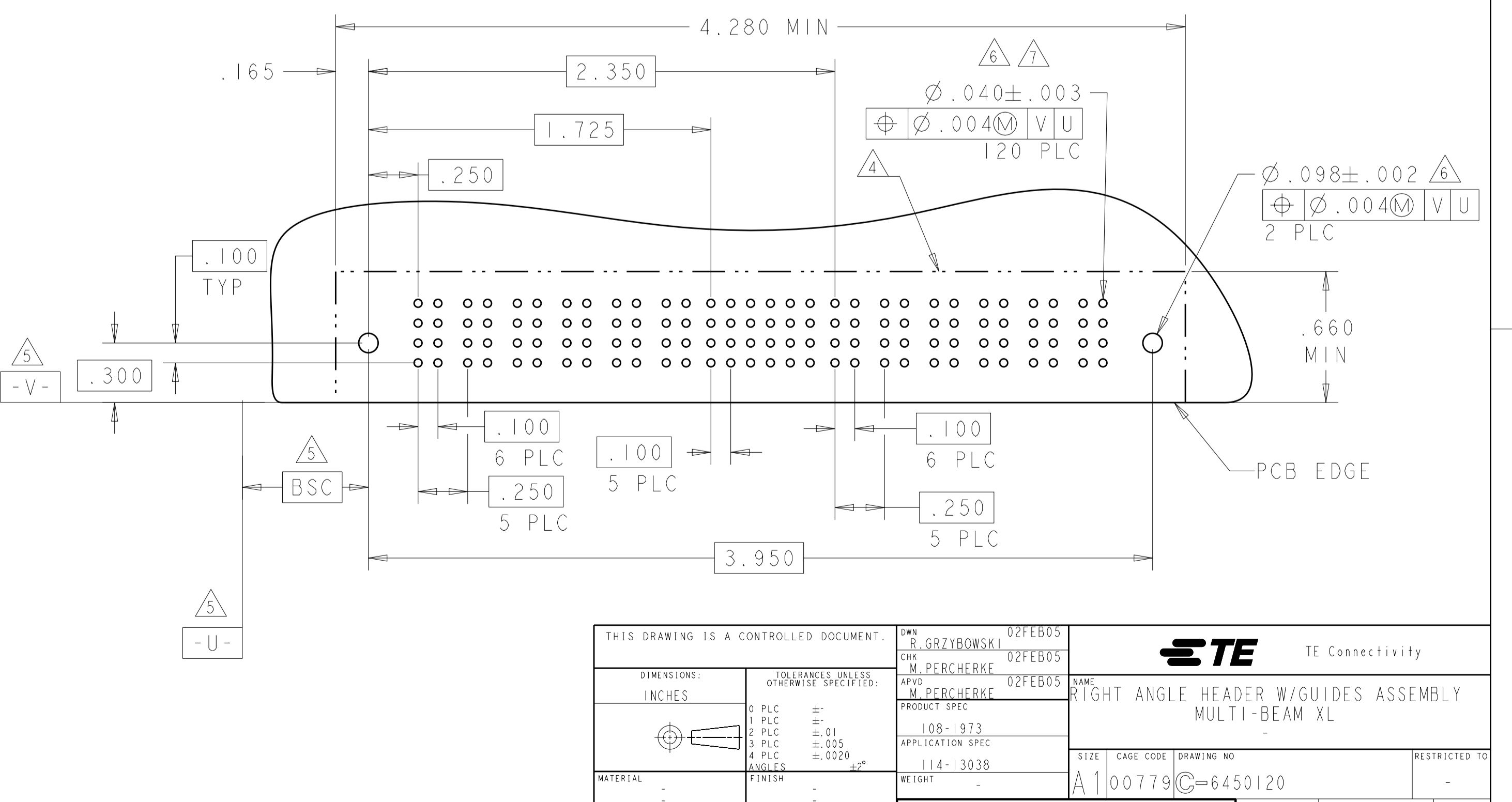
| PART NUMBER      | ROWS             |    | AC POWER |    |    |    | SIGNAL |   |   |   |   |   | POWER |    |    |    |    |     |     |     |     |     |     |     |
|------------------|------------------|----|----------|----|----|----|--------|---|---|---|---|---|-------|----|----|----|----|-----|-----|-----|-----|-----|-----|-----|
|                  |                  |    | P1       | P2 | P3 | P4 | 1      | 2 | 3 | 4 | 5 | 6 | P5    | P6 | P7 | P8 | P9 | P10 | P11 | P12 | P13 | P14 | P15 | P16 |
| 2-6450120-6      | D<br>C<br>B<br>A | HD | PM       | PM | PM | PM | PM     | J | J | J | J | J | J     | J  | PM | PM | PM | PM  | PM  | PM  | PM  | PM  | PM  | PM  |
|                  |                  |    |          |    |    |    |        | K | K | K | K | K | K     | K  |    |    |    |     |     |     |     |     |     |     |
|                  |                  |    |          |    |    |    |        | N | N | N | N | N | N     | N  |    |    |    |     |     |     |     |     |     |     |
|                  |                  |    |          |    |    |    |        | S | S | S | S | S | S     | S  |    |    |    |     |     |     |     |     |     |     |
| 4ACP + 24S + 12P |                  |    |          |    |    |    |        |   |   |   |   |   |       |    |    |    |    |     |     |     |     |     |     |     |



| PART NUMBER     | ROWS             |    | POWER |    |    |    |    |    |    |    | SIGNAL |   |   | POWER |     |     |
|-----------------|------------------|----|-------|----|----|----|----|----|----|----|--------|---|---|-------|-----|-----|
|                 |                  |    | P1    | P2 | P3 | P4 | P5 | P6 | P7 | P8 | 1      | 2 | 3 | P9    | P10 | P11 |
| 3-6450120-3     | D<br>C<br>B<br>A | HD | PM    | PM | PM | PM | PM | PM | PM | PM | J      | J | J | PM    | PM  | PM  |
|                 |                  |    |       |    |    |    |    |    |    |    | K      | K | K |       |     |     |
|                 |                  |    |       |    |    |    |    |    |    |    | N      | N | N |       |     |     |
|                 |                  |    |       |    |    |    |    |    |    |    | S      | S | S |       |     |     |
| 8P + 12S + 3ACP |                  |    |       |    |    |    |    |    |    |    |        |   |   |       |     |     |



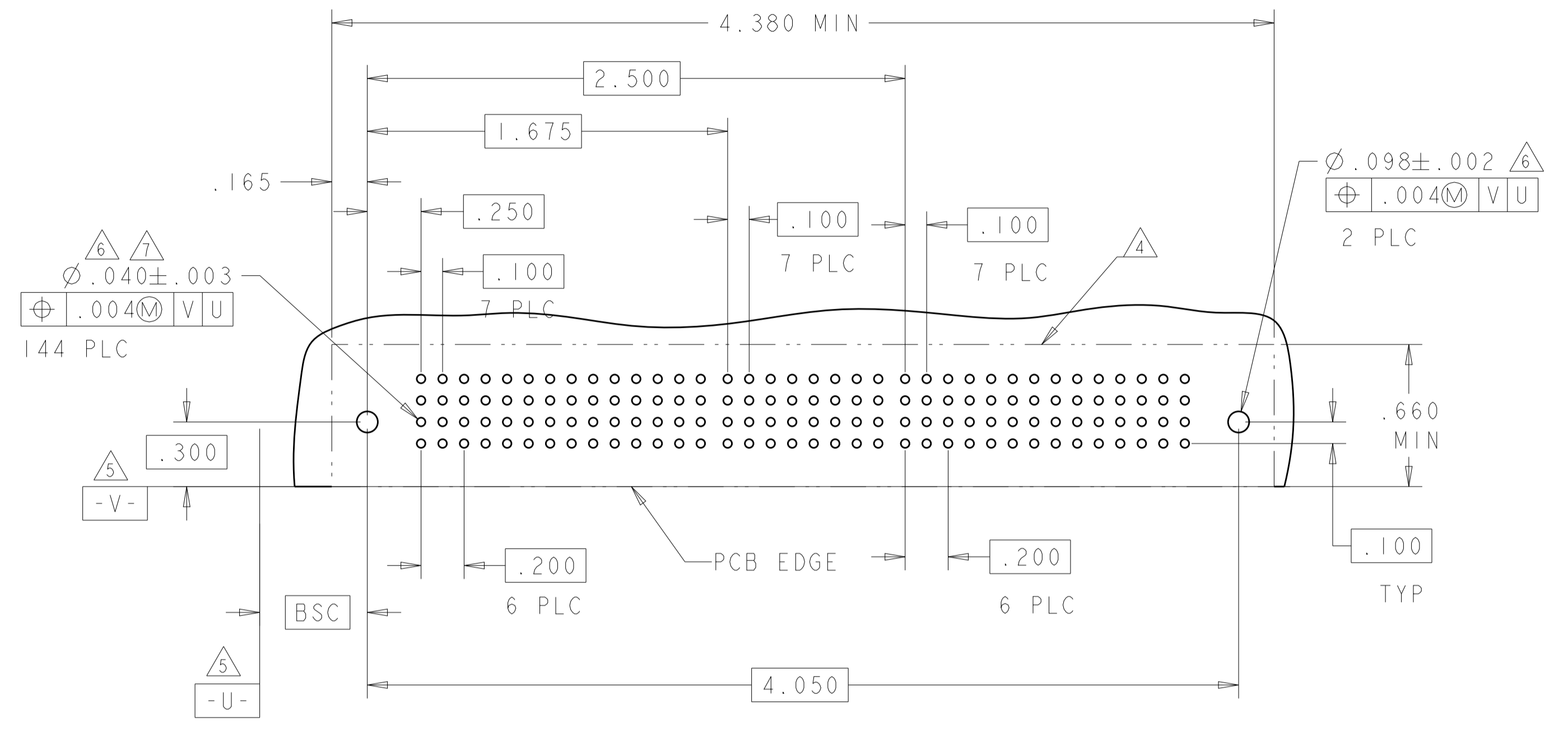
| PART NUMBER   | ROWS             |    | POWER |    |    |    |    |    | SIGNAL |   |   |   |   |    | POWER |    |    |     |     |     |    |    |  |
|---------------|------------------|----|-------|----|----|----|----|----|--------|---|---|---|---|----|-------|----|----|-----|-----|-----|----|----|--|
|               |                  |    | P1    | P2 | P3 | P4 | P5 | P6 | 1      | 2 | 3 | 4 | 5 | 6  | P7    | P8 | P9 | P10 | P11 | P12 |    |    |  |
| 2-6450120-7   | D<br>C<br>B<br>A | HD | PM    | PM | PM | PM | PM | J  | J      | J | J | J | J | PM | PM    | PM | PM | PM  | PM  | PM  | PM | PM |  |
|               |                  |    |       |    |    |    |    | K  | K      | K | K | K | K |    |       |    |    |     |     |     |    |    |  |
|               |                  |    |       |    |    |    |    | N  | N      | N | N | N | N |    |       |    |    |     |     |     |    |    |  |
|               |                  |    |       |    |    |    |    | S  | S      | S | S | S | S |    |       |    |    |     |     |     |    |    |  |
| 6P + 24S + 6P |                  |    |       |    |    |    |    |    |        |   |   |   |   |    |       |    |    |     |     |     |    |    |  |



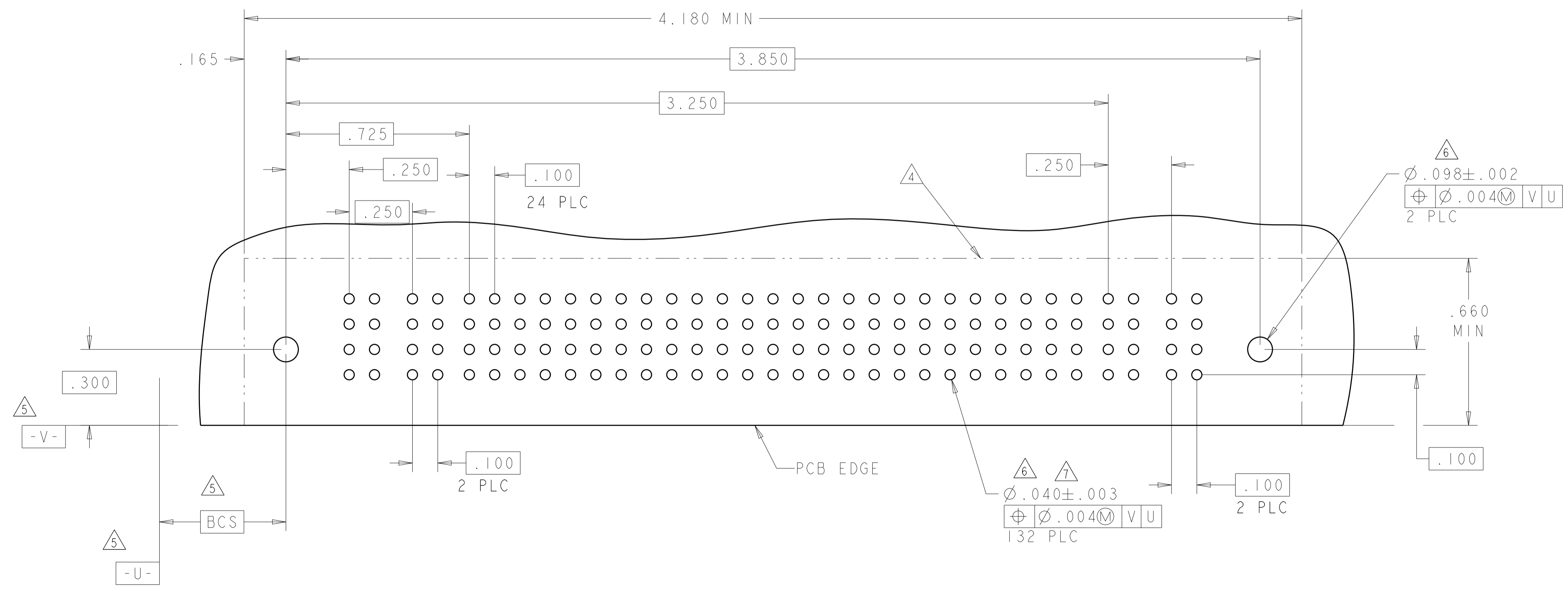


| LOC | DIST | REVISIONS   |      |     |      |
|-----|------|-------------|------|-----|------|
| P   | LTN  | DESCRIPTION | DATE | DMN | APVD |
| -   | -    | SEE SHEET 1 | -    | -   | -    |

| PART NUMBER       | ROWS             | POWER |    |    |    |    |    | SIGNAL |   |   |   |   |   |   |   | POWER |    |    |     |     |     |     |
|-------------------|------------------|-------|----|----|----|----|----|--------|---|---|---|---|---|---|---|-------|----|----|-----|-----|-----|-----|
|                   |                  | P1    | P2 | P3 | P4 | P5 | P6 | P7     | 1 | 2 | 3 | 4 | 5 | 6 | 7 | 8     | P8 | P9 | P10 | P11 | P12 | P13 |
| 3-6450120-0       | D<br>C<br>B<br>A | PM    | PM | PM | PM | PM | PM | J      | J | J | J | J | J | J | J | PM    | PM | PM | PM  | PM  | PM  | PM  |
| 7HDP + 32S + 7HDP | HD               |       |    |    |    |    |    | N      | N | N | N | N | N | N | N |       |    |    |     |     |     |     |
|                   |                  |       |    |    |    |    |    | S      | S | S | S | S | S | S | S |       |    |    |     |     |     |     |



| PART NUMBER    | ROWS             | POWER |    | SIGNAL |   |   |   |   |   |   |   |   |    |    |    |    |    |    |    |    |    |    |    |    |    |    | POWER |    |    |    |    |
|----------------|------------------|-------|----|--------|---|---|---|---|---|---|---|---|----|----|----|----|----|----|----|----|----|----|----|----|----|----|-------|----|----|----|----|
|                |                  | P1    | P2 | 1      | 2 | 3 | 4 | 5 | 6 | 7 | 8 | 9 | 10 | 11 | 12 | 13 | 14 | 15 | 16 | 17 | 18 | 19 | 20 | 21 | 22 | 23 | 24    | 25 | P3 | P4 |    |
| 3-6450120-6    | D<br>C<br>B<br>A | PM    | PM | J      | J | J | J | J | J | J | J | J | J  | J  | J  | J  | J  | J  | J  | J  | J  | J  | J  | J  | J  | J  | J     | J  | J  | PM | PM |
| 2P + 100S + 2P | HD               |       |    | N      | N | N | N | N | N | N | N | N | N  | N  | N  | N  | N  | N  | N  | N  | N  | N  | N  | N  | N  | N  | N     | N  | N  |    |    |
|                |                  |       |    | S      | S | S | S | S | S | S | S | S | S  | S  | S  | S  | S  | S  | S  | S  | S  | S  | S  | S  | S  | S  | S     | S  | S  |    |    |



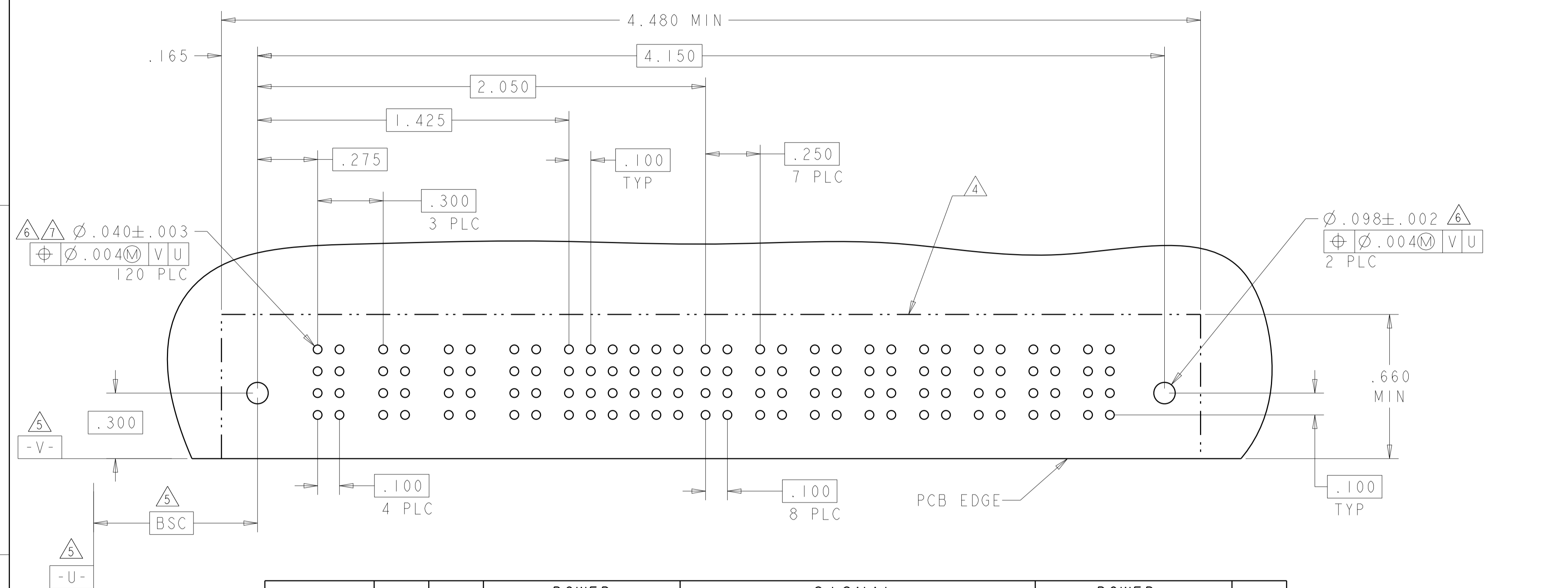
THIS DRAWING IS A CONTROLLED DOCUMENT.

|                                                       |                                        |                                                                                       |                                                          |
|-------------------------------------------------------|----------------------------------------|---------------------------------------------------------------------------------------|----------------------------------------------------------|
| DIMENSIONS: INCHES                                    | TOLERANCES UNLESS OTHERWISE SPECIFIED: | DMN: R. GRZYBOWSKI 02FEB05<br>CHK: M. PERCHERKE 02FEB05<br>APVD: M. PERCHERKE 02FEB05 | NAME: RIGHT ANGLE HEADER W/GUIDES ASSEMBLY MULTI-BEAM XL |
| 0 PLC ±.<br>1 PLC ±.01<br>3 PLC ±.005<br>4 PLC ±.0020 | ANGLES ±.020                           | PRODUCT SPEC: 108-1973<br>APPLICATION SPEC: 114-13038<br>WEIGHT: -                    | SIZE: A1<br>CAGE CODE: 6450120<br>DRAWING NO: 100779     |
| MATERIAL: -                                           | FINISH: -                              | CUSTOMER DRAWING                                                                      | RESTRICTED TO: -                                         |

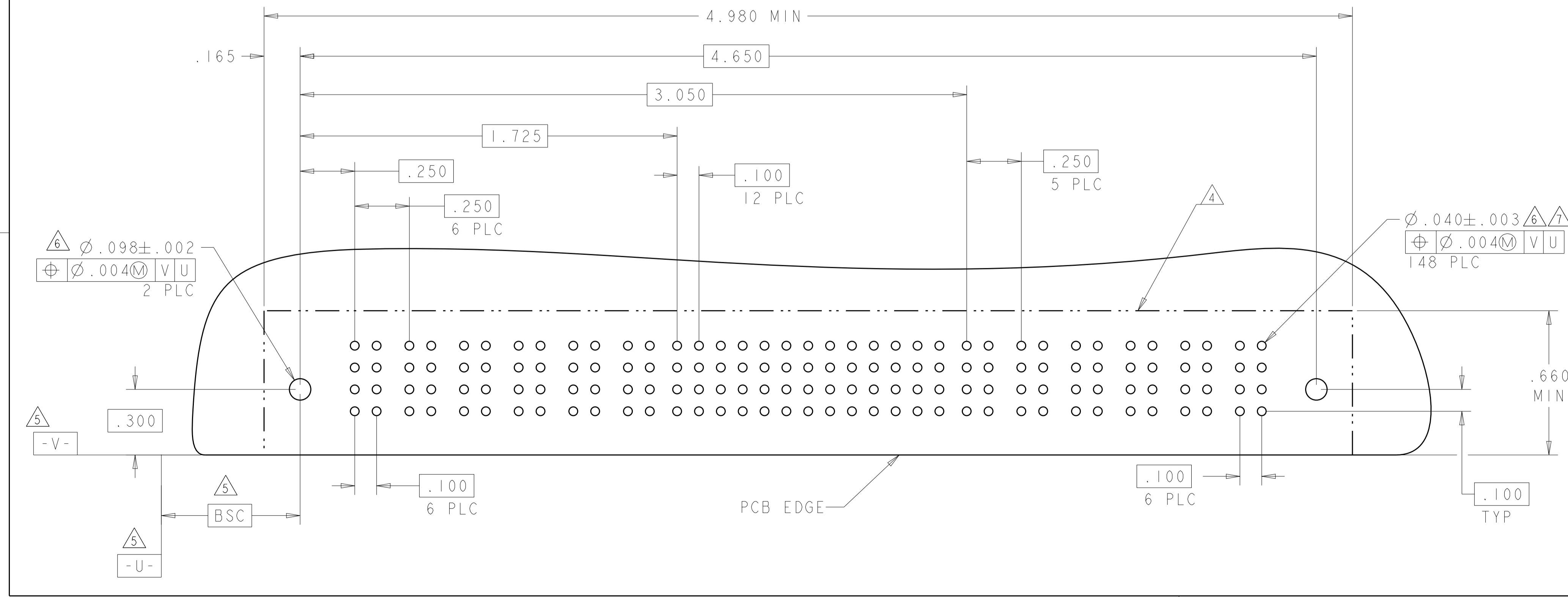
SCALE: 4:1 SHEET 9 OF 24 REV: M2

| LOC | DIST | REVISIONS |             |      |
|-----|------|-----------|-------------|------|
| ES  | 00   | REV       | DATE        | APVD |
|     |      | 1         | SEE SHEET 1 |      |

| PART NUMBER     | ROWS             | POWER |    |    |    | SIGNAL |   |   |   |   |   | POWER |    |    |    |    |     |     |     |
|-----------------|------------------|-------|----|----|----|--------|---|---|---|---|---|-------|----|----|----|----|-----|-----|-----|
|                 |                  | P1    | P2 | P3 | P4 | 1      | 2 | 3 | 4 | 5 | 6 | P5    | P6 | P7 | P8 | P9 | P10 | P11 | P12 |
| 4-6450120-0     | D<br>C<br>B<br>A | PM    | PM | PM | PM | J      | J | J | J | J | J | PM    | PM | PM | PM | PM | PM  | PM  | PM  |
|                 |                  |       |    |    |    | K      | K | K | K | K | K |       |    |    |    |    |     |     |     |
|                 |                  |       |    |    |    | N      | N | N | N | N | N |       |    |    |    |    |     |     |     |
|                 |                  |       |    |    |    | S      | S | S | S | S | S |       |    |    |    |    |     |     |     |
| 4ACP + 24S + 8P |                  | HD    |    |    |    |        |   |   |   |   |   |       |    |    |    |    |     |     |     |



| PART NUMBER   | ROWS             | POWER |    |    |    |    |    | SIGNAL |   |   |   |   |   |   |   |   |    |    |    |    | POWER |    |    |     |     |     |  |  |  |  |
|---------------|------------------|-------|----|----|----|----|----|--------|---|---|---|---|---|---|---|---|----|----|----|----|-------|----|----|-----|-----|-----|--|--|--|--|
|               |                  | P1    | P2 | P3 | P4 | P5 | P6 | 1      | 2 | 3 | 4 | 5 | 6 | 7 | 8 | 9 | 10 | 11 | 12 | 13 | P7    | P8 | P9 | P10 | P11 | P12 |  |  |  |  |
| 3-6450120-5   | D<br>C<br>B<br>A | PM    | PM | PM | PM | PM | PM | J      | J | J | J | J | J | J | J | J | J  | J  | J  | J  | J     | J  | J  | J   | J   | J   |  |  |  |  |
|               |                  |       |    |    |    |    |    | K      | K | K | K | K | K | K | K | K | K  | K  | K  | K  | K     | K  | K  | K   | K   | K   |  |  |  |  |
|               |                  |       |    |    |    |    |    | N      | N | N | N | N | N | N | N | N | N  | N  | N  | N  | N     | N  | N  | N   | N   | N   |  |  |  |  |
|               |                  |       |    |    |    |    |    | S      | S | S | S | S | S | S | S | S | S  | S  | S  | S  | S     | S  | S  | S   | S   |     |  |  |  |  |
| 6P + 52S + 6P |                  | HD    |    |    |    |    |    |        |   |   |   |   |   |   |   |   |    |    |    |    |       |    |    |     |     |     |  |  |  |  |



THIS DRAWING IS A CONTROLLED DOCUMENT.

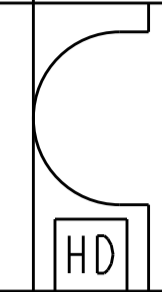
|                    |                                                                                      |                           |                             |                         |                                                          |
|--------------------|--------------------------------------------------------------------------------------|---------------------------|-----------------------------|-------------------------|----------------------------------------------------------|
| DIMENSIONS: INCHES | TOLERANCES UNLESS OTHERWISE SPECIFIED:                                               | OWN: R.GRZYBOWSKI 02FEB05 | CHK: M.PERCHEK 02FEB05      | APVD: M.PERCHEK 02FEB05 | NAME: RIGHT ANGLE HEADER W/GUIDES ASSEMBLY MULTI-BEAM XL |
|                    | 0 PLC ±.01<br>1 PLC ±.01<br>2 PLC ±.01<br>3 PLC ±.005<br>4 PLC ±.002<br>ANGLES ±.07° | PRODUCT SPEC: 108-1973    | APPLICATION SPEC: 114-13038 | WEIGHT: -               | RESTRICTED TO: -                                         |
| MATERIAL: -        | FINISH: -                                                                            | CUSTOMER DRAWING          |                             | SCALE: 4:1              | SHEET 10 OF 24                                           |

STE TE Connectivity

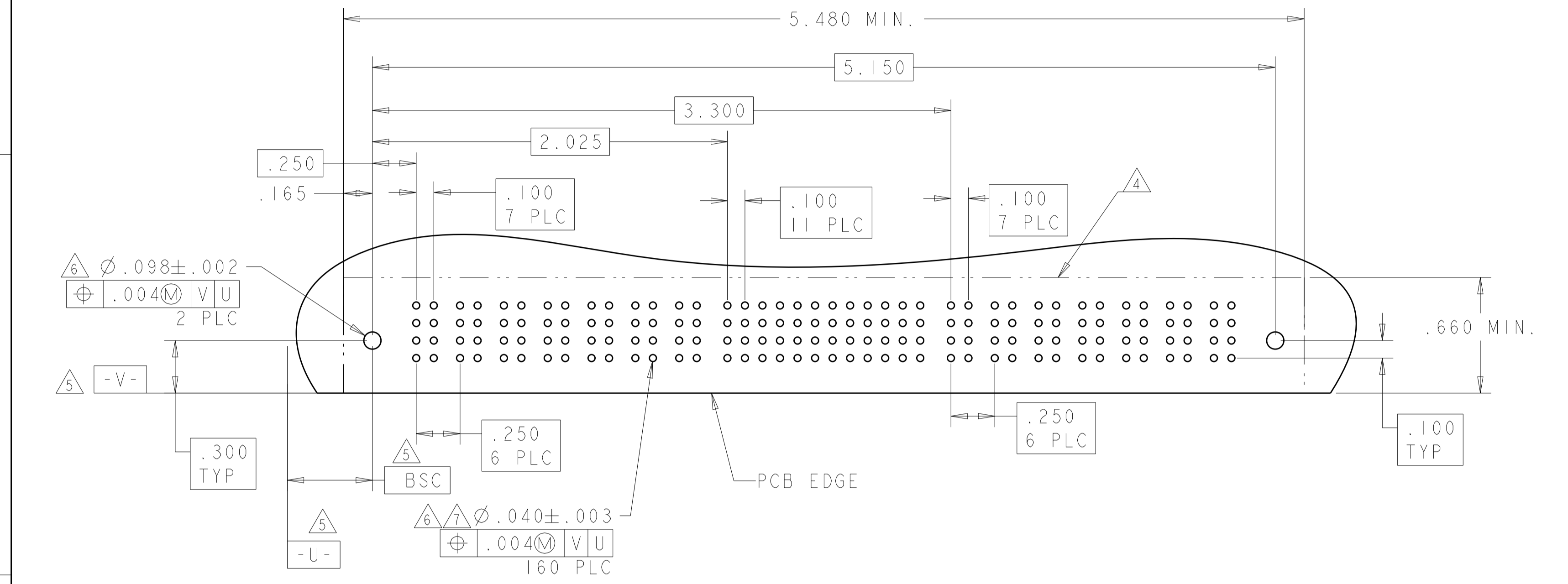
A100779 ©=6450120

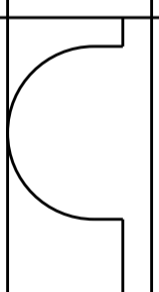
REV: M2

| LOC | DIST | REVISONS |    |             |        |
|-----|------|----------|----|-------------|--------|
|     |      | REV      | BY | DATE        | APPROV |
| ES  | 00   | -        | -  | SEE SHEET 1 | -      |

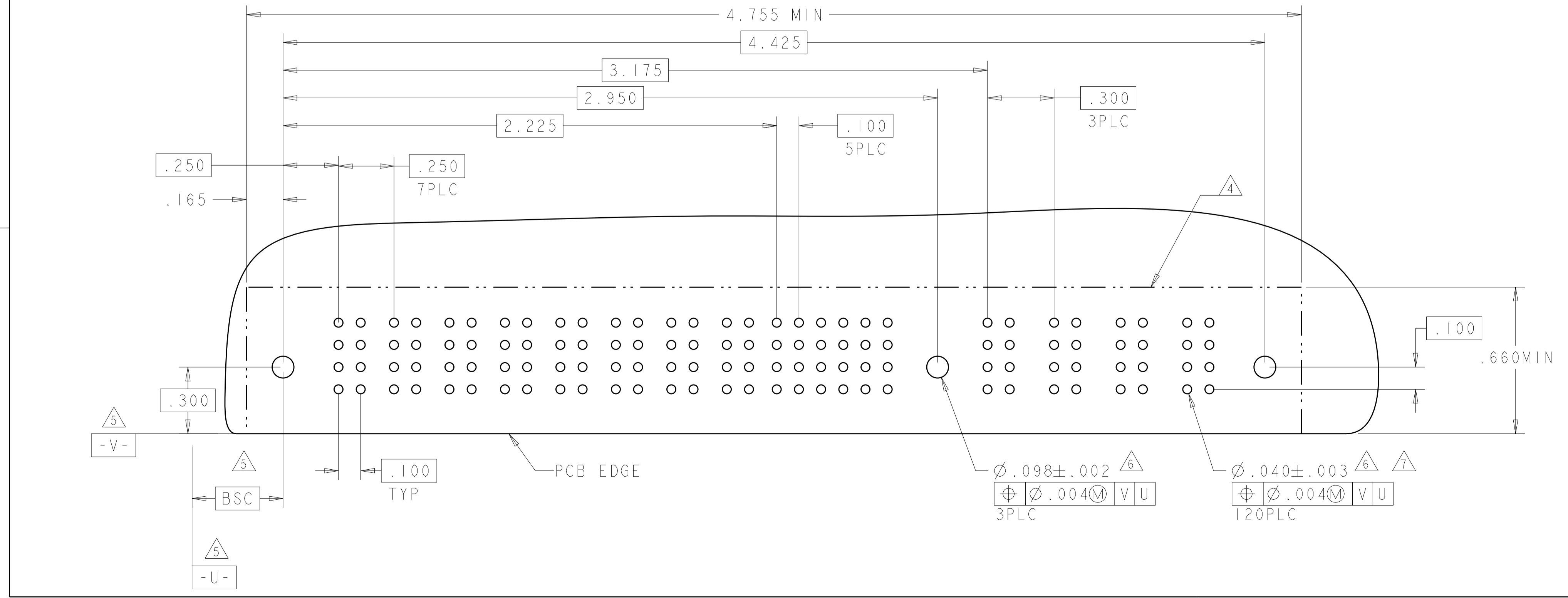
| PART NUMBER | ROWS             |                                                                                   | POWER |    |    |    |    |    |    | SIGNAL |   |   |   |   |   |   |   |   |    |    |    | POWER |    |     |     |     |     |     |    |    |    |    |    |
|-------------|------------------|-----------------------------------------------------------------------------------|-------|----|----|----|----|----|----|--------|---|---|---|---|---|---|---|---|----|----|----|-------|----|-----|-----|-----|-----|-----|----|----|----|----|----|
|             |                  |                                                                                   | P1    | P2 | P3 | P4 | P5 | P6 | P7 | 1      | 2 | 3 | 4 | 5 | 6 | 7 | 8 | 9 | 10 | 11 | 12 | P8    | P9 | P10 | P11 | P12 | P13 | P14 |    |    |    |    |    |
| 3-6450120-4 | D<br>C<br>B<br>A |  | PM    | PM | PM | PM | PM | PM | PM | J      | J | J | J | J | J | J | J | J | J  | J  | J  | J     | J  | J   | J   | PM  | PM  | PM  | PM | PM | PM | PM |    |
|             |                  |                                                                                   | PM    | PM | PM | PM | PM | PM | K  | K      | K | K | K | K | K | K | K | K | K  | K  | K  | K     | K  | K   | PM  | PM  | PM  | PM  | PM | PM | PM |    |    |
|             |                  |                                                                                   | PM    | PM | PM | PM | PM | PM | N  | N      | N | N | N | N | N | N | N | N | N  | N  | N  | N     | N  | N   | N   | N   | PM  | PM  | PM | PM | PM | PM | PM |
|             |                  |                                                                                   | PM    | PM | PM | PM | PM | PM | S  | S      | S | S | S | S | S | S | S | S | S  | S  | S  | S     | S  | S   | S   | S   | PM  | PM  | PM | PM | PM | PM | PM |


7P + 48S + 7P



| PART NUMBER | ROWS             |                                                                                     | POWER |    |    |    |    |    |    |    | SIGNAL |   |   |    |    |    | POWER |     |     |     |
|-------------|------------------|-------------------------------------------------------------------------------------|-------|----|----|----|----|----|----|----|--------|---|---|----|----|----|-------|-----|-----|-----|
|             |                  |                                                                                     | P1    | P2 | P3 | P4 | P5 | P6 | P7 | P8 | 1      | 2 | 3 | 4  | 5  | 6  | P9    | P10 | P11 | P12 |
| 4-6450120-2 | D<br>C<br>B<br>A |  | PM    | PM | PM | PM | PM | PM | PM | PM | J      | J | J | J  | J  | J  | PM    | PM  | PM  | PM  |
|             |                  |                                                                                     | PM    | PM | PM | PM | PM | PM | PM | K  | K      | K | K | K  | K  | PM | PM    | PM  | PM  |     |
|             |                  |                                                                                     | PM    | PM | PM | PM | PM | PM | N  | N  | N      | N | N | N  | PM | PM | PM    | PM  |     |     |
|             |                  |                                                                                     | PM    | PM | PM | PM | PM | S  | S  | S  | S      | S | S | PM | PM | PM | PM    |     |     |     |

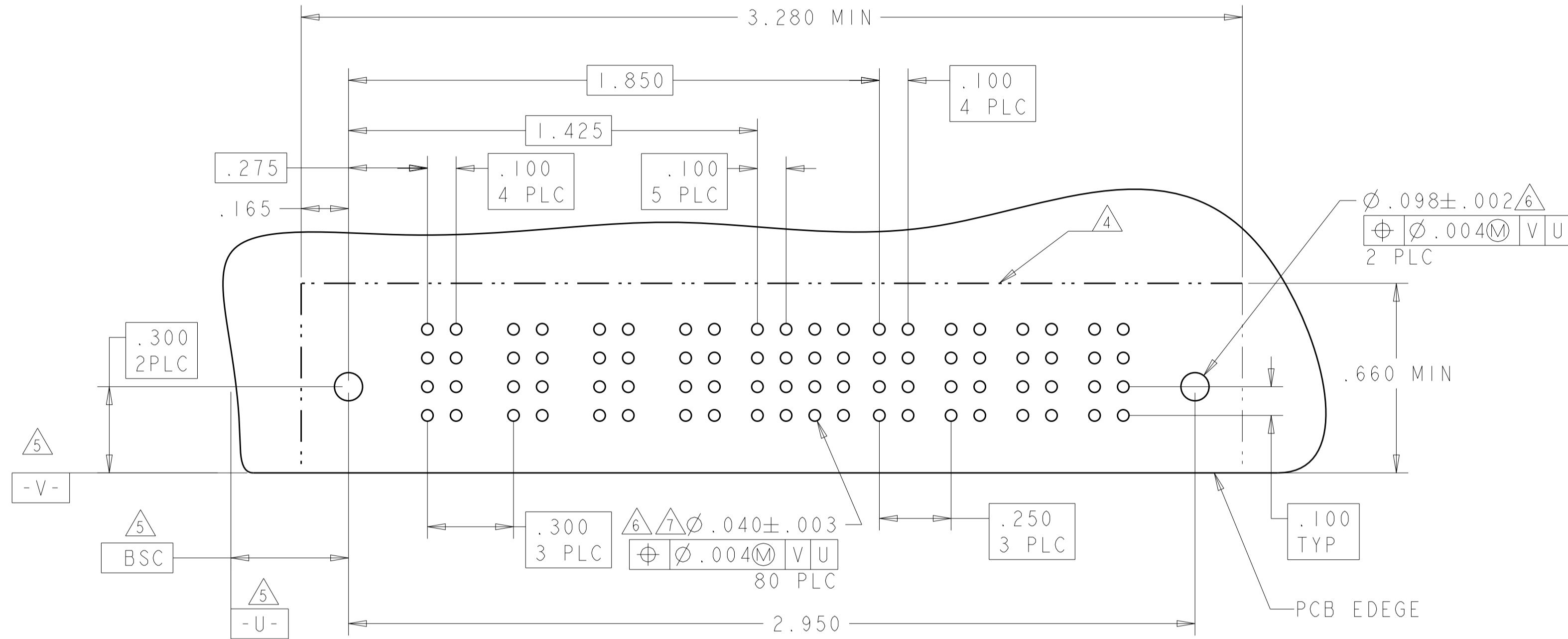
8P + 24S + 1M + 4ACP



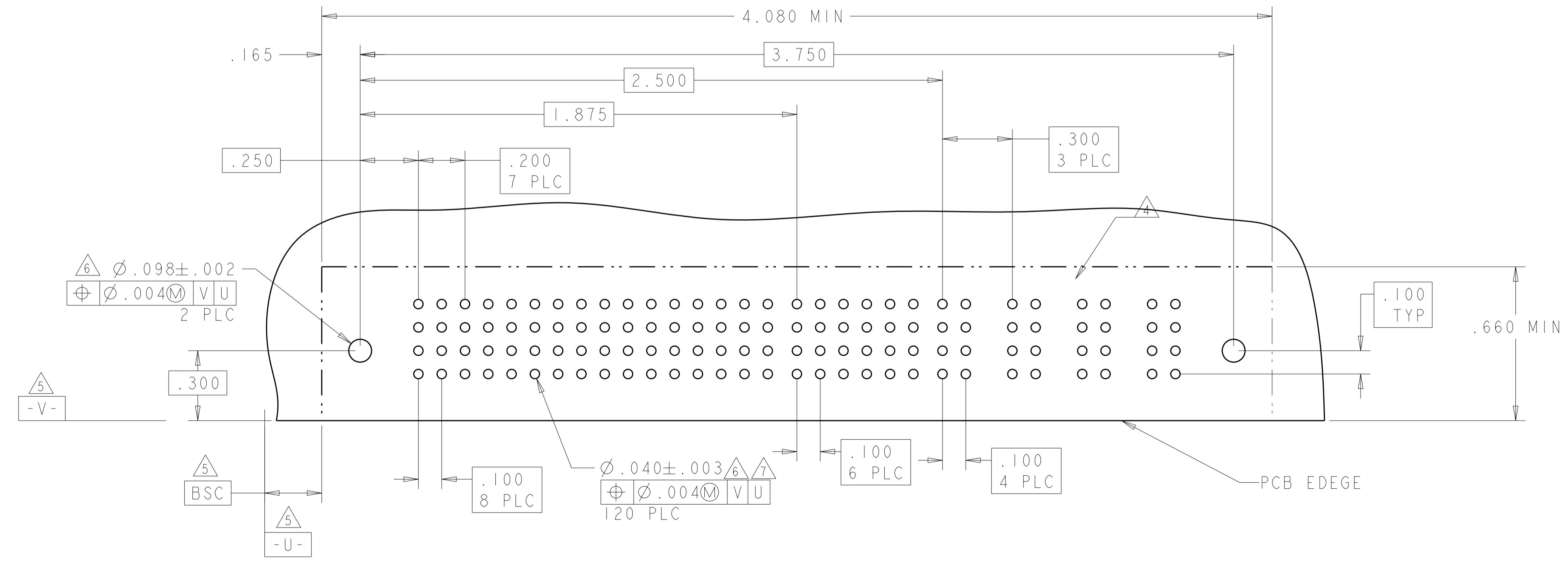
|                                                                                  |  |                                                      |                                                                                       |                                                          |  |
|----------------------------------------------------------------------------------|--|------------------------------------------------------|---------------------------------------------------------------------------------------|----------------------------------------------------------|--|
| THIS DRAWING IS A CONTROLLED DOCUMENT.                                           |  | OWN: R. GRZYBOWSKI 02FEB05                           |  | TE Connectivity                                          |  |
| DIMENSIONS:                                                                      |  | CHK: M. PERCZERKE 02FEB05                            |                                                                                       | NAME: RIGHT ANGLE HEADER W/GUIDES ASSEMBLY MULTI-BEAM XL |  |
| INCHES                                                                           |  | APVD: M. PERCZERKE 02FEB05                           |                                                                                       | PRODUCT SPEC: 108-1973                                   |  |
| TOLERANCES UNLESS OTHERWISE SPECIFIED:                                           |  | APPLICATION SPEC: 114-1303B                          |                                                                                       | RESTRICTED TO: -                                         |  |
| 0 PLC ±.<br>1 PLC ±.01<br>2 PLC ±.02<br>3 PLC ±.03<br>4 PLC ±.04<br>ANGLES ±.020 |  | SIZE: A1<br>CAGE CODE: 6450120<br>DRAWING NO: 100779 |                                                                                       | SCALE: 4:1                                               |  |
| MATERIAL: -<br>FINISH: -                                                         |  | WEIGHT: -                                            |                                                                                       | SHEET 11 OF 24<br>REV M2                                 |  |

| LOC | DIST | REVISIONS   |      |     |      |
|-----|------|-------------|------|-----|------|
| P   | LTN  | DESCRIPTION | DATE | DWN | APVD |
| -   | -    | SEE SHEET 1 | -    | -   | -    |
|     |      |             |      |     |      |
|     |      |             |      |     |      |

| PART NUMBER     | ROWS             | POWER |    |    |    | SIGNAL |   |   |   | POWER |    |    |    |
|-----------------|------------------|-------|----|----|----|--------|---|---|---|-------|----|----|----|
|                 |                  | P1    | P2 | P3 | P4 | 1      | 2 | 3 | 4 | P5    | P6 | P7 | P8 |
| 4-6450120-3     | D<br>C<br>B<br>A | PM    | PM | PM | PM | J      | J | J | J | PM    | PM | PM | PM |
|                 |                  |       |    |    |    | K      | K | K | K |       |    |    |    |
|                 |                  |       |    |    |    | N      | N | N | N |       |    |    |    |
|                 |                  |       |    |    |    | S      | S | S | S |       |    |    |    |
| 4ACP + 16S + 4P |                  |       |    |    |    |        |   |   |   |       |    |    |    |



| PART NUMBER     | ROWS             | POWER |    |    |    |    |    |    |    | SIGNAL |   |   |   |   |   | POWER |     |     |     |
|-----------------|------------------|-------|----|----|----|----|----|----|----|--------|---|---|---|---|---|-------|-----|-----|-----|
|                 |                  | P1    | P2 | P3 | P4 | P5 | P6 | P7 | P8 | 1      | 2 | 3 | 4 | 5 | 6 | P9    | P10 | P11 | P12 |
| 4-6450120-4     | D<br>C<br>B<br>A | PM    | PM | PM | PM | PM | PM | PM | PM | J      | J | J | J | J | J | PM    | PM  | PM  | PM  |
|                 |                  |       |    |    |    |    |    |    |    | K      | K | K | K | K | K |       |     |     |     |
|                 |                  |       |    |    |    |    |    |    |    | N      | N | N | N | N | N |       |     |     |     |
|                 |                  |       |    |    |    |    |    |    |    | S      | S | S | S | S | S |       |     |     |     |
| 8P + 24S + 4ACP |                  |       |    |    |    |    |    |    |    |        |   |   |   |   |   |       |     |     |     |



THIS DRAWING IS A CONTROLLED DOCUMENT. DWN: R. GRZYBOWSKI 02FEB05  
 CHK: M. PERCHERKE 02FEB05  
 APVD: M. PERCHERKE 02FEB05

**STE** TE Connectivity

NAME: RIGHT ANGLE HEADER W/GUIDES ASSEMBLY MULTI-BEAM XL

PRODUCT SPEC: 108-1973  
 APPLICATION SPEC: 114-13038

SIZE: A1 CAGE CODE: 6450120 DRAWING NO: 100779  
 WEIGHT: -

MATERIAL: - FINISH: -

CUSTOMER DRAWING SCALE: 4:1 SHEET 12 OF 24 REV: M2

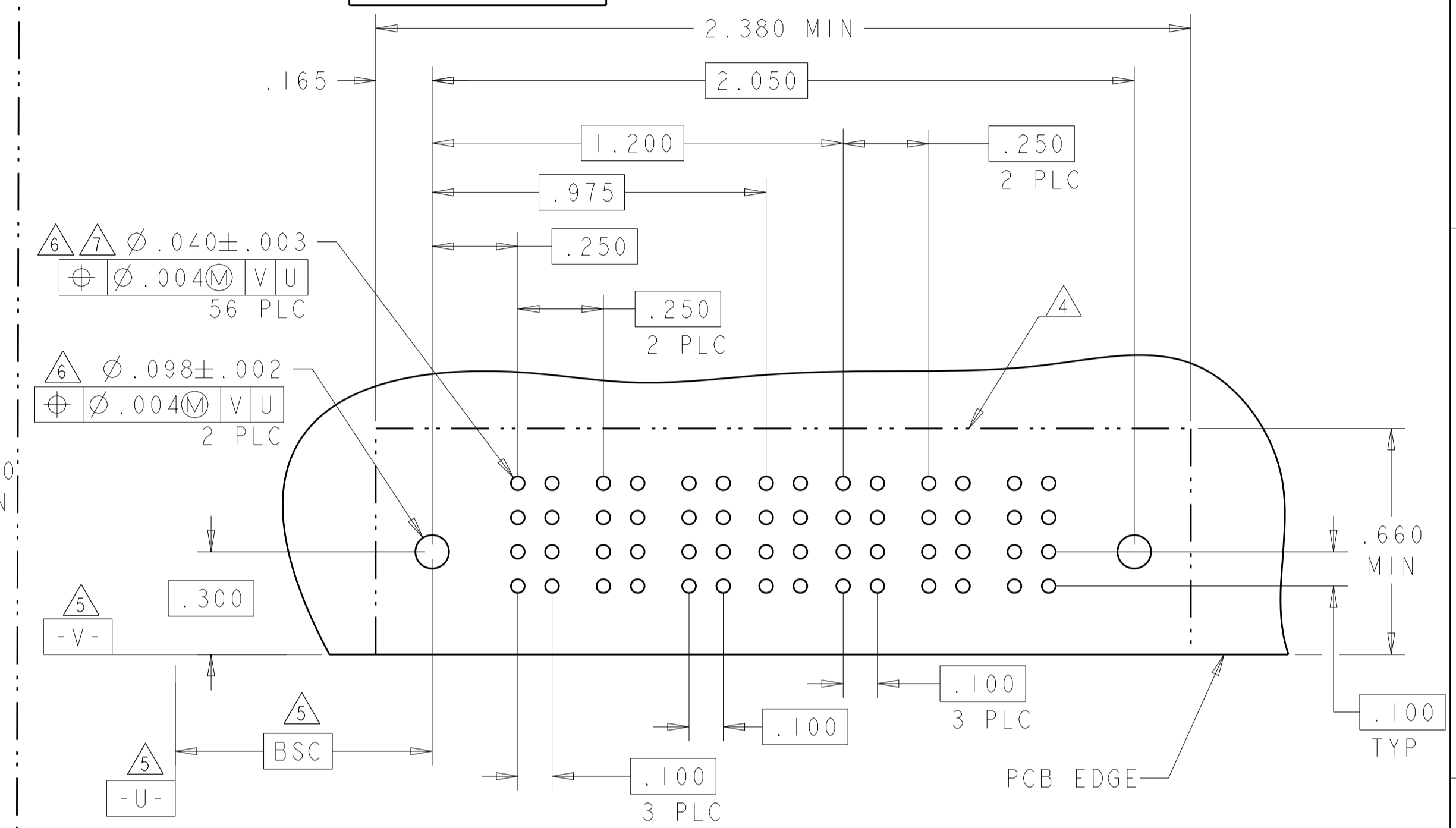
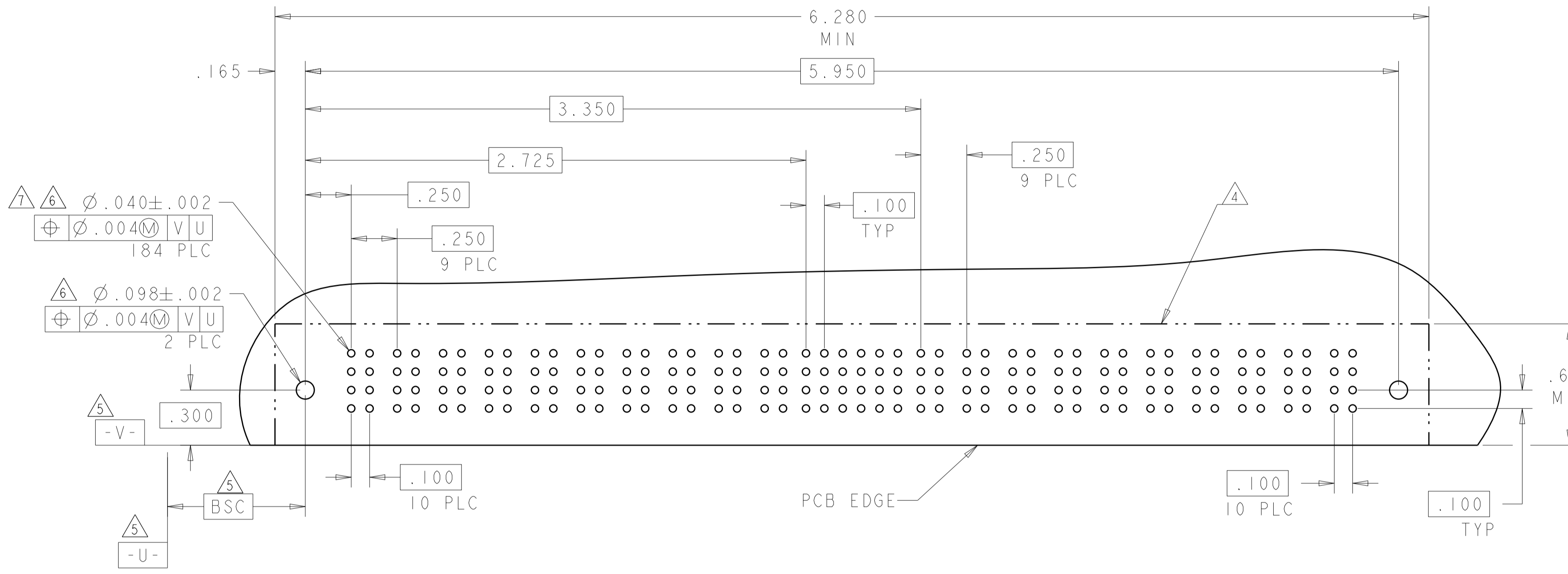
| LOC |    | DIST |     | REVISIONS   |      |     |      |
|-----|----|------|-----|-------------|------|-----|------|
| ES  | 00 | P    | LTN | DESCRIPTION | DATE | DMN | APVD |
|     |    |      |     | SEE SHEET 1 |      |     |      |

| PART NUMBER | ROWS             | POWER |    |    |    |    |    |    |    |    |     | SIGNAL |   |   |   |   |   | POWER |     |     |     |     |     |     |     |     |     |
|-------------|------------------|-------|----|----|----|----|----|----|----|----|-----|--------|---|---|---|---|---|-------|-----|-----|-----|-----|-----|-----|-----|-----|-----|
|             |                  | P1    | P2 | P3 | P4 | P5 | P6 | P7 | P8 | P9 | P10 | 1      | 2 | 3 | 4 | 5 | 6 | P11   | P12 | P13 | P14 | P15 | P16 | P17 | P18 | P19 | P20 |
| 4-6450120-5 | D<br>C<br>B<br>A | PM    | PM | PM | PM | PM | PM | PM | PM | PM | PM  | J      | J | J | J | J | J | PM    | PM  | PM  | PM  | PM  | PM  | PM  | PM  | PM  | PM  |
|             |                  |       |    |    |    |    |    |    |    |    |     | K      | K | K | K | K | K |       |     |     |     |     |     |     |     |     |     |
|             |                  |       |    |    |    |    |    |    |    |    |     | N      | N | N | N | N | N |       |     |     |     |     |     |     |     |     |     |
|             |                  |       |    |    |    |    |    |    |    |    |     | S      | S | S | S | S | S |       |     |     |     |     |     |     |     |     |     |

10P + 24S + 10P

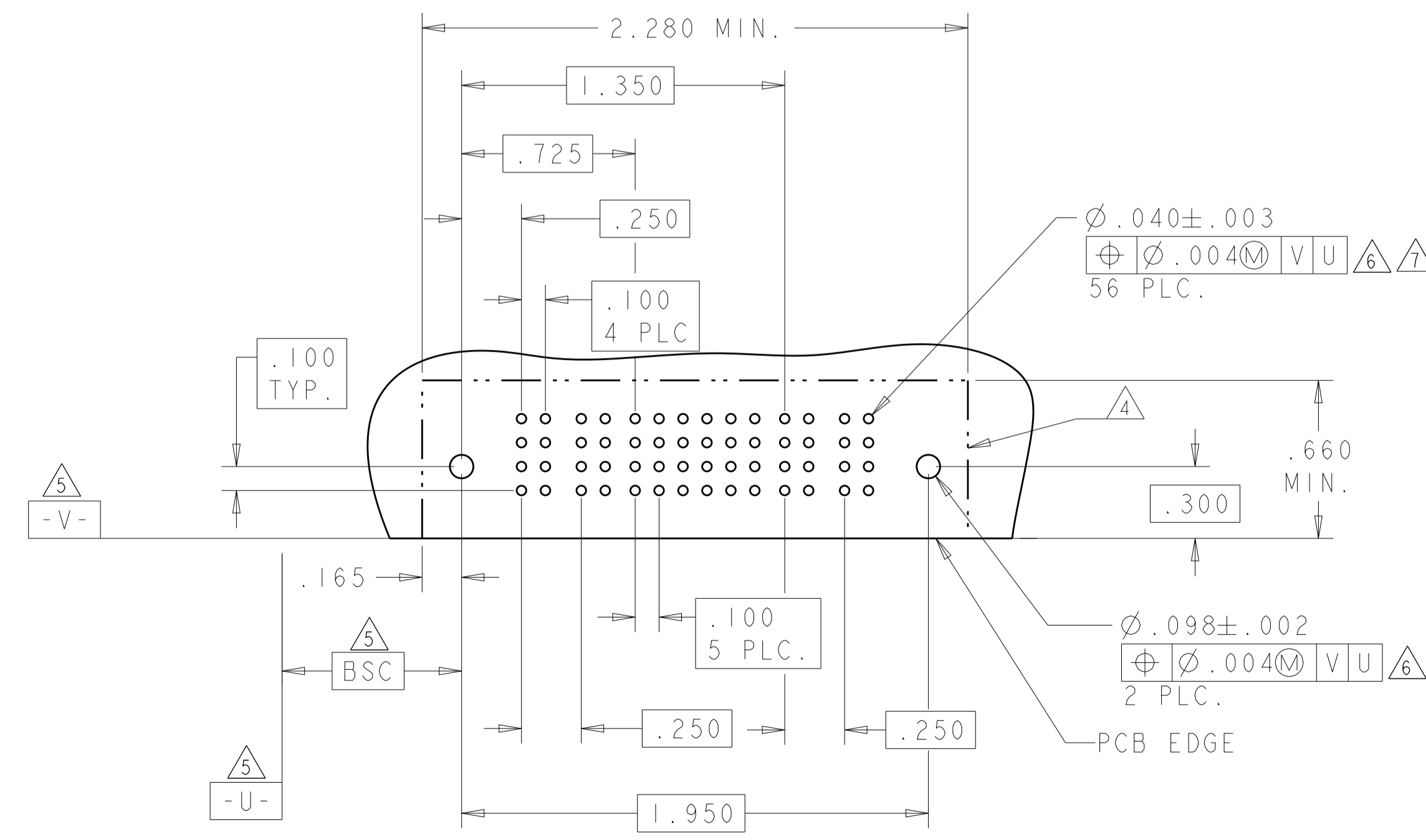
| PART NUMBER | ROWS             | POWER |    |    | SIGNAL |   | POWER |    |    |
|-------------|------------------|-------|----|----|--------|---|-------|----|----|
|             |                  | P1    | P2 | P3 | 1      | 2 | P4    | P5 | P6 |
| 4-6450120-6 | D<br>C<br>B<br>A | PM    | PM | PM | J      | J | PM    | PM | PM |
|             |                  |       |    |    | K      | K |       |    |    |
|             |                  |       |    |    | N      | N |       |    |    |
|             |                  |       |    |    | S      | S |       |    |    |

3P + 8S + 3P



| PART NUMBER | ROWS             | POWER |    | SIGNAL |   |   |   |   |   | POWER |    |
|-------------|------------------|-------|----|--------|---|---|---|---|---|-------|----|
|             |                  | P1    | P2 | 1      | 2 | 3 | 4 | 5 | 6 | P3    | P4 |
| 4-6450120-7 | D<br>C<br>B<br>A | PM    | PM | J      | J | J | J | J | J | PM    | PM |
|             |                  |       |    | K      | K | F | K | K | K |       |    |
|             |                  |       |    | N      | N | G | N | N | N |       |    |
|             |                  |       |    | S      | S | S | S | S | S |       |    |

2P + 24S + 2P



THIS DRAWING IS A CONTROLLED DOCUMENT. DMN: R. GRZYBOWSKI 02FEB05  
 CHK: M. PERCHERKE 02FEB05  
 APVD: M. PERCHERKE 02FEB05

**STE** TE Connectivity

NAME: RIGHT ANGLE HEADER W/GUIDES ASSEMBLY MULTI-BEAM XL

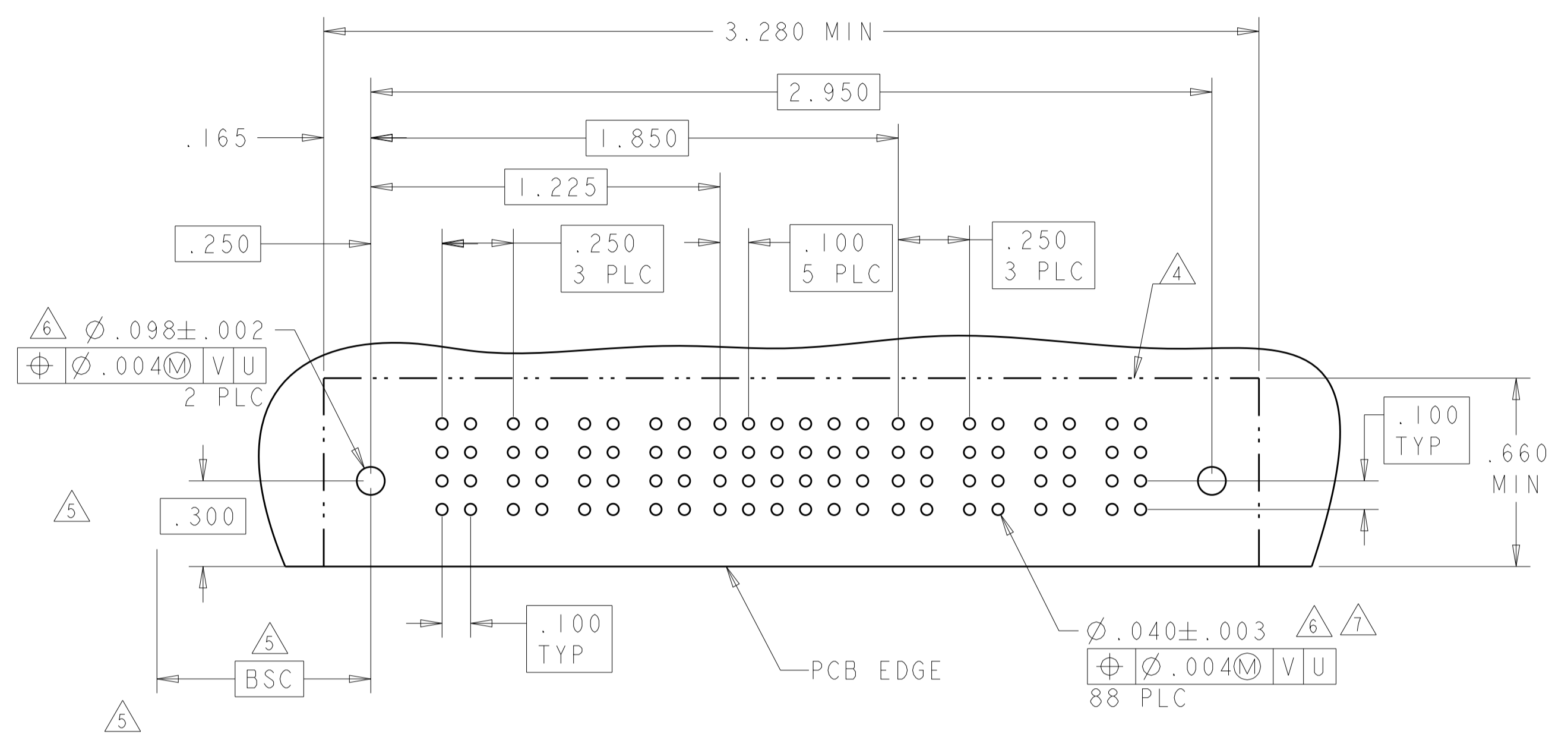
PRODUCT SPEC: 108-1973  
 APPLICATION SPEC: 114-13038

SIZE: A1 00779 C=6450120  
 CAGE CODE: 114-13038  
 WEIGHT: -

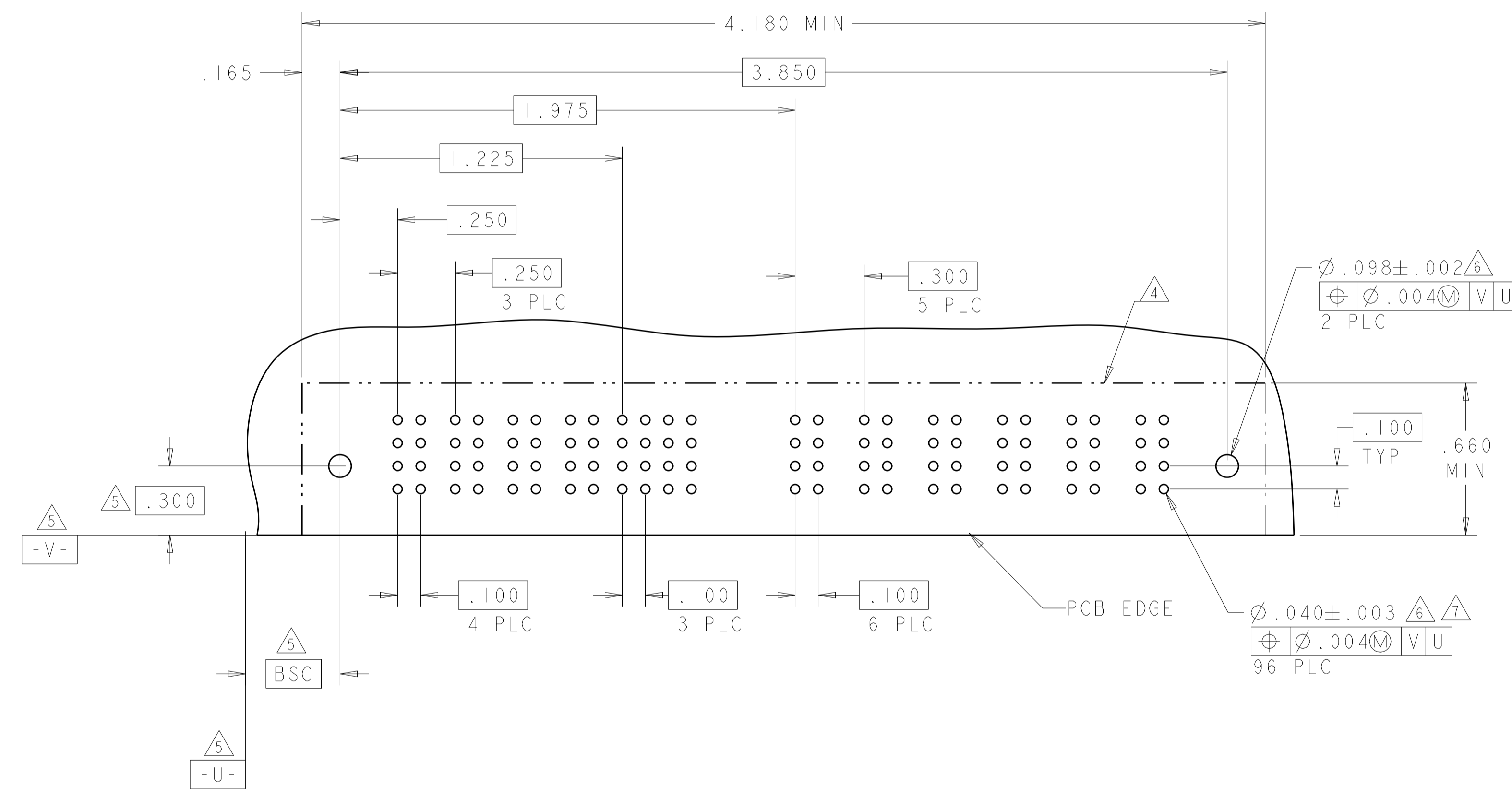
CUSTOMER DRAWING SCALE: 4:1 SHEET 13 OF 24 REV: M2

| LOC | DIST | REVISIONS   |      |     |      |
|-----|------|-------------|------|-----|------|
| P   | LTN  | DESCRIPTION | DATE | DMN | APVD |
| ES  | 00   | SEE SHEET 1 | -    | -   | -    |

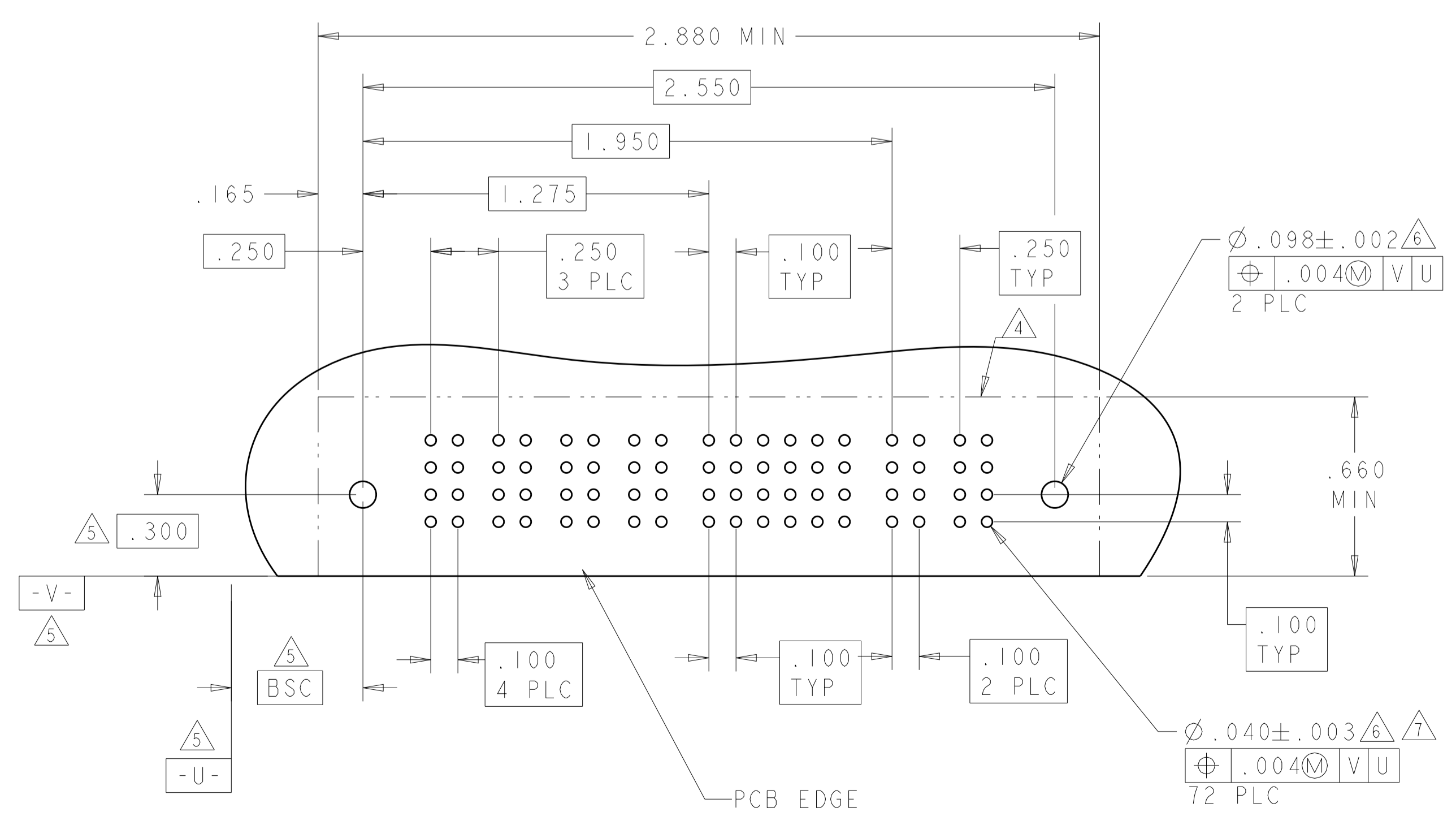
| PART NUMBER   | ROWS | POWER |    |    |    | SIGNAL |   |   |   |   |   | POWER |    |    |    |
|---------------|------|-------|----|----|----|--------|---|---|---|---|---|-------|----|----|----|
|               |      | P1    | P2 | P3 | P4 | 1      | 2 | 3 | 4 | 5 | 6 | P5    | P6 | P7 | P8 |
| 4-6450120-8   | D    | PM    | PM | PM | PM | J      | J | J | J | J | J | PM    | PM | PM | PM |
|               | C    |       |    |    |    | K      | K | K | K | K |   |       |    |    |    |
|               | B    |       |    |    |    | N      | N | N | N | N |   |       |    |    |    |
|               | A    |       |    |    |    | S      | S | S | S | S |   |       |    |    |    |
| 4P + 24S + 4P |      |       |    |    |    |        |   |   |   |   |   |       |    |    |    |



| PART NUMBER     | ROWS | POWER |    |    |    | SIGNAL |   |   |   | POWER |    |    |    |    |     |     |
|-----------------|------|-------|----|----|----|--------|---|---|---|-------|----|----|----|----|-----|-----|
|                 |      | P1    | P2 | P3 | P4 | 1      | 2 | 3 | 4 | P5    | P6 | P7 | P8 | P9 | P10 | P11 |
| 5-6450120-0     | D    | PM    | PM | PM | PM | J      | J | J | J | PM    | PM | PM | PM | PM | PM  |     |
|                 | C    |       |    |    |    | K      | K | K | K |       |    |    |    |    |     |     |
|                 | B    |       |    |    |    | N      | N | N | N |       |    |    |    |    |     |     |
|                 | A    |       |    |    |    | S      | S | S | S |       |    |    |    |    |     |     |
| 4P + 16S + 7ACP |      |       |    |    |    |        |   |   |   |       |    |    |    |    |     |     |



| PART NUMBER   | ROWS | POWER |    |    |    | SIGNAL |   |   |   |   |   | POWER |    |
|---------------|------|-------|----|----|----|--------|---|---|---|---|---|-------|----|
|               |      | P1    | P2 | P3 | P4 | 1      | 2 | 3 | 4 | 5 | 6 | P5    | P6 |
| 2-6450120-5   | D    | PM    | PM | PM | PM | J      | J | J | J | J | J | PM    | PM |
|               | C    |       |    |    |    | K      | K | K | K | K |   |       |    |
|               | B    |       |    |    |    | N      | N | N | N | N |   |       |    |
|               | A    |       |    |    |    | S      | S | S | S | S |   |       |    |
| 4P + 24S + 2P |      |       |    |    |    |        |   |   |   |   |   |       |    |



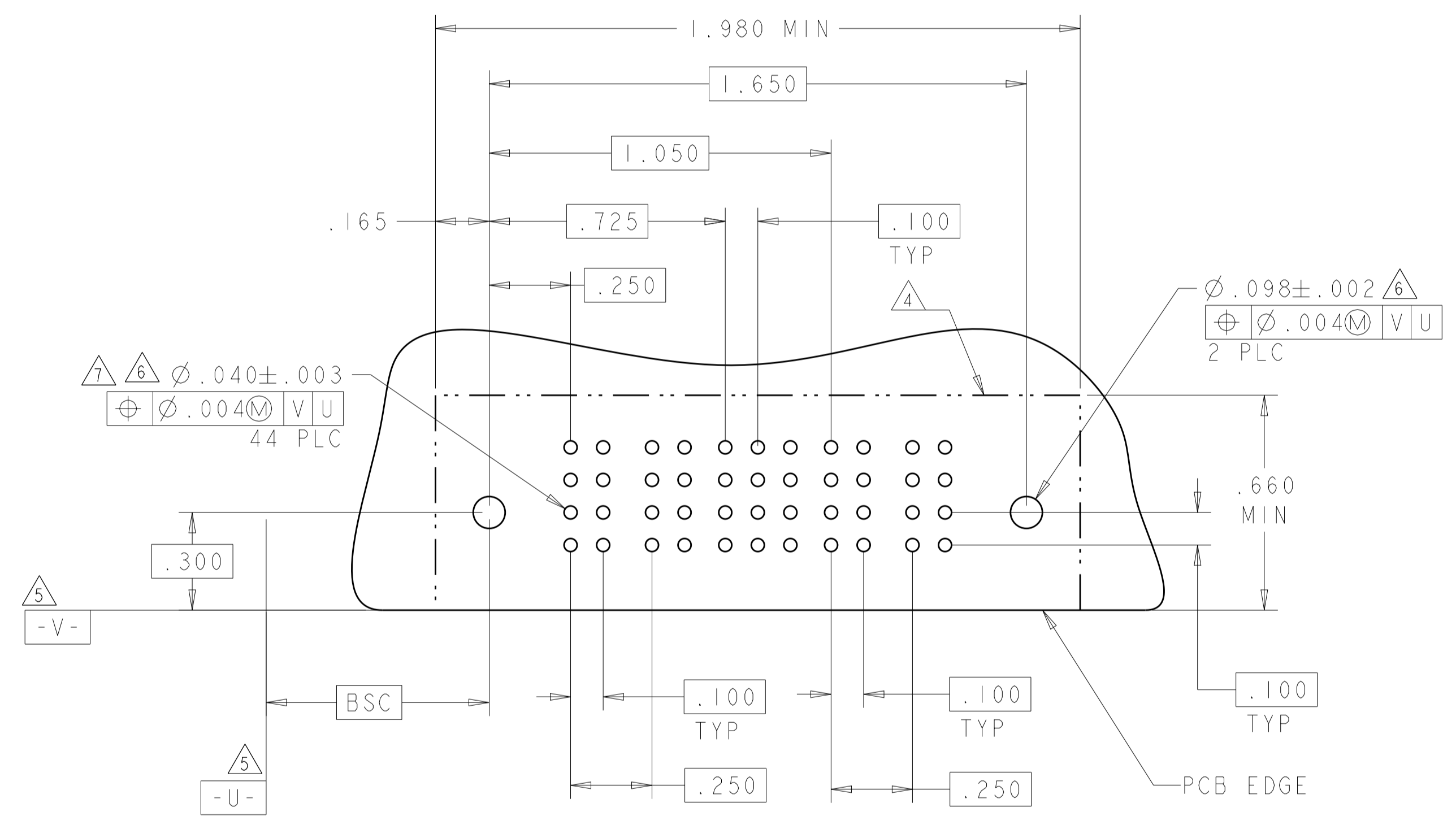
THIS DRAWING IS A CONTROLLED DOCUMENT.

|                    |                                        |                            |                             |                            |                                                          |
|--------------------|----------------------------------------|----------------------------|-----------------------------|----------------------------|----------------------------------------------------------|
| DIMENSIONS: INCHES | TOLERANCES UNLESS OTHERWISE SPECIFIED: | DMN: R. GRZYBOWSKI 02FEB05 | CHK: M. PERCHERKE 02FEB05   | APVD: M. PERCHERKE 02FEB05 | NAME: RIGHT ANGLE HEADER W/GUIDES ASSEMBLY MULTI-BEAM XL |
| MATERIAL: -        | FINISH: -                              | PRODUCT SPEC: 108-1973     | APPLICATION SPEC: 114-13038 | WEIGHT: -                  | SIZE: A100779                                            |
| CUSTOMER DRAWING   |                                        | SCALE: 4:1                 |                             | SHEET 14 OF 24             |                                                          |

STE TE Connectivity

| LOC | DIST | REVISIONS |             |      |     |      |
|-----|------|-----------|-------------|------|-----|------|
|     |      | P         | LTN         | DATE | DWN | APVD |
| ES  | 00   | -         | SEE SHEET 1 | -    | -   | -    |
|     |      |           |             |      |     |      |
|     |      |           |             |      |     |      |

| PART NUMBER   | ROWS | POWER |    | SIGNAL |   |   | POWER |    |
|---------------|------|-------|----|--------|---|---|-------|----|
|               |      | P1    | P2 | 1      | 2 | 3 | P3    | P4 |
| 4-6450120-9   | D    |       |    | J      | J | J |       |    |
|               | C    |       |    | K      | K | K |       |    |
|               | B    |       |    | N      | N | N |       |    |
|               | A    |       |    | S      | S | S |       |    |
| 2P + 12S + 2P |      |       |    |        |   |   |       |    |



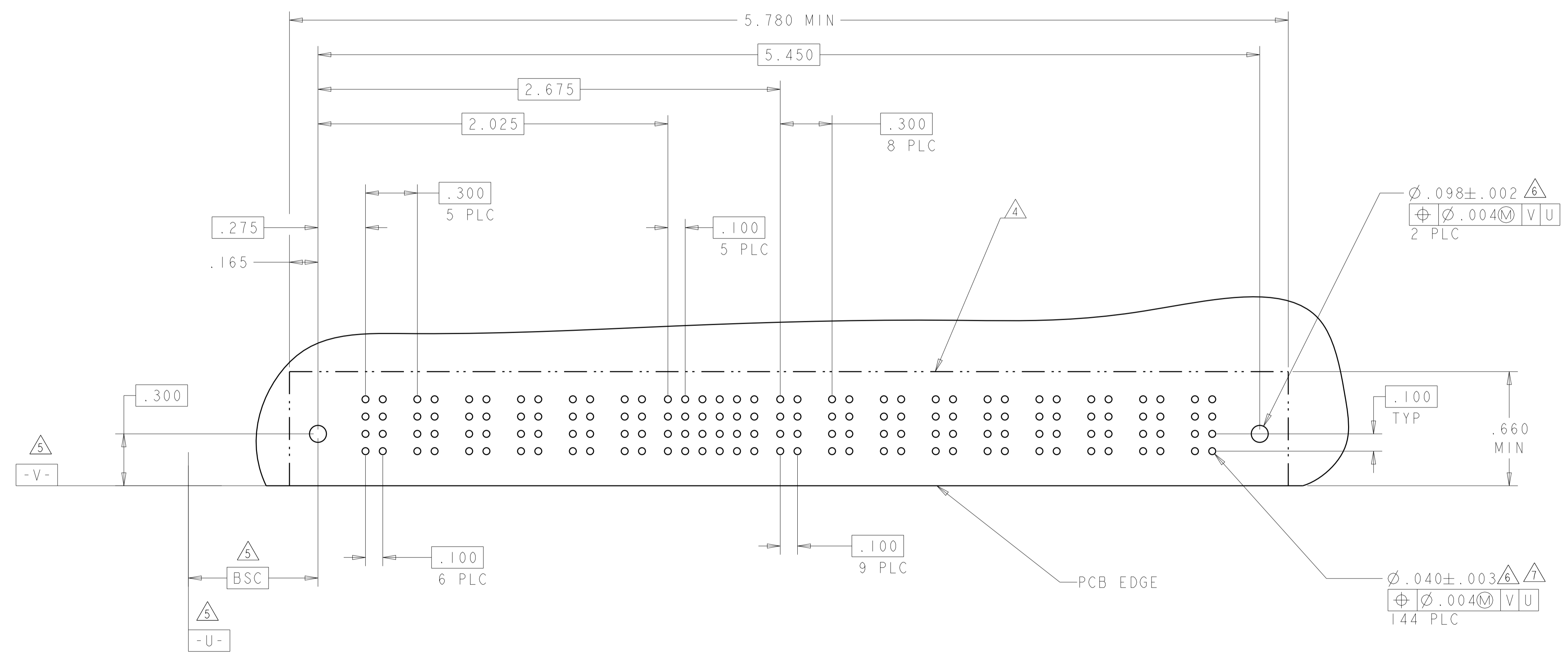
THIS DRAWING IS A CONTROLLED DOCUMENT.

|                                                                      |                                               |                                                                              |
|----------------------------------------------------------------------|-----------------------------------------------|------------------------------------------------------------------------------|
| DWN: R. GRZYBOWSKI                                                   | 02FEB05                                       | TE Connectivity<br><b>RIGHT ANGLE HEADER W/GUIDES ASSEMBLY MULTI-BEAM XL</b> |
| CHK: M. PERCHERKE                                                    | 02FEB05                                       |                                                                              |
| APVD: M. PERCHERKE                                                   | 02FEB05                                       |                                                                              |
| DIMENSIONS:<br>INCHES                                                | TOLERANCES UNLESS OTHERWISE SPECIFIED:        | NAME: 108-1973                                                               |
| 0 PLC ±.<br>2 PLC ±.01<br>3 PLC ±.005<br>4 PLC ±.0020<br>ANGLES ±.2° | PRODUCT SPEC<br>APPLICATION SPEC<br>114-13038 | SIZE: A1                                                                     |
| MATERIAL:                                                            | FINISH:                                       | WEIGHT:                                                                      |
| CUSTOMER DRAWING                                                     |                                               | SCALE: 4:1                                                                   |

REV 24 M2

| LOC | DIST | REVISIONS   |      |     |      |
|-----|------|-------------|------|-----|------|
| P   | LTN  | DESCRIPTION | DATE | DMN | APVD |
| -   | -    | SEE SHEET 1 | -    | -   | -    |
|     |      |             |      |     |      |
|     |      |             |      |     |      |

| PART NUMBER   | ROWS             | POWER |      |      |      |      |      | SIGNAL |   |   |   |   |   | POWER |      |      |      |      |      |      |      |      |      |      |
|---------------|------------------|-------|------|------|------|------|------|--------|---|---|---|---|---|-------|------|------|------|------|------|------|------|------|------|------|
|               |                  | P1    | P2   | P3   | P4   | P5   | P6   | 1      | 2 | 3 | 4 | 5 | 6 | P7    | P8   | P9   | P10  | P11  | P12  | P13  | P14  | P15  |      |      |
| 5-6450120-2   | D<br>C<br>B<br>A | [HD]  | [PM] | [PM] | [PM] | [PM] | [PM] | J      | J |   | J | E |   | [PM]  | [PM] | [PM] | [PM] | [PM] | [PM] | [PM] | [PM] | [PM] | [PM] | [HD] |
|               |                  |       | K    | K    |      | K    | K    |        |   |   |   |   |   |       |      |      |      |      |      |      |      |      |      |      |
|               |                  |       | N    | N    |      | N    | N    |        |   |   |   |   |   |       |      |      |      |      |      |      |      |      |      |      |
|               |                  |       | S    | S    |      | S    | H    |        |   |   |   |   |   |       |      |      |      |      |      |      |      |      |      |      |
| 6P + 24S + 9P |                  |       |      |      |      |      |      |        |   |   |   |   |   |       |      |      |      |      |      |      |      |      |      |      |



THIS DRAWING IS A CONTROLLED DOCUMENT.

|                       |                                                                                                                               |                                                                                       |                                                          |
|-----------------------|-------------------------------------------------------------------------------------------------------------------------------|---------------------------------------------------------------------------------------|----------------------------------------------------------|
| DIMENSIONS:<br>INCHES | TOLERANCES UNLESS OTHERWISE SPECIFIED:<br>0 PLC ±.<br>1 PLC ±.01<br>2 PLC ±.01<br>3 PLC ±.005<br>4 PLC ±.0020<br>ANGLES ±.02° | DMN: R. GRZYBOWSKI 02FEB05<br>CHK: M. PERCHERKE 02FEB05<br>APVD: M. PERCHERKE 02FEB05 | NAME: RIGHT ANGLE HEADER W/GUIDES ASSEMBLY MULTI-BEAM XL |
| MATERIAL: -           | FINISH: -                                                                                                                     | PRODUCT SPEC: 108-1973<br>APPLICATION SPEC: 114-13038<br>WEIGHT: -                    | SIZE: A1<br>CAGE CODE: 00779<br>DRAWING NO: C=6450120    |
| CUSTOMER DRAWING      |                                                                                                                               | SCALE: 4:1                                                                            | SHEET 16 OF 24 REV: M2                                   |

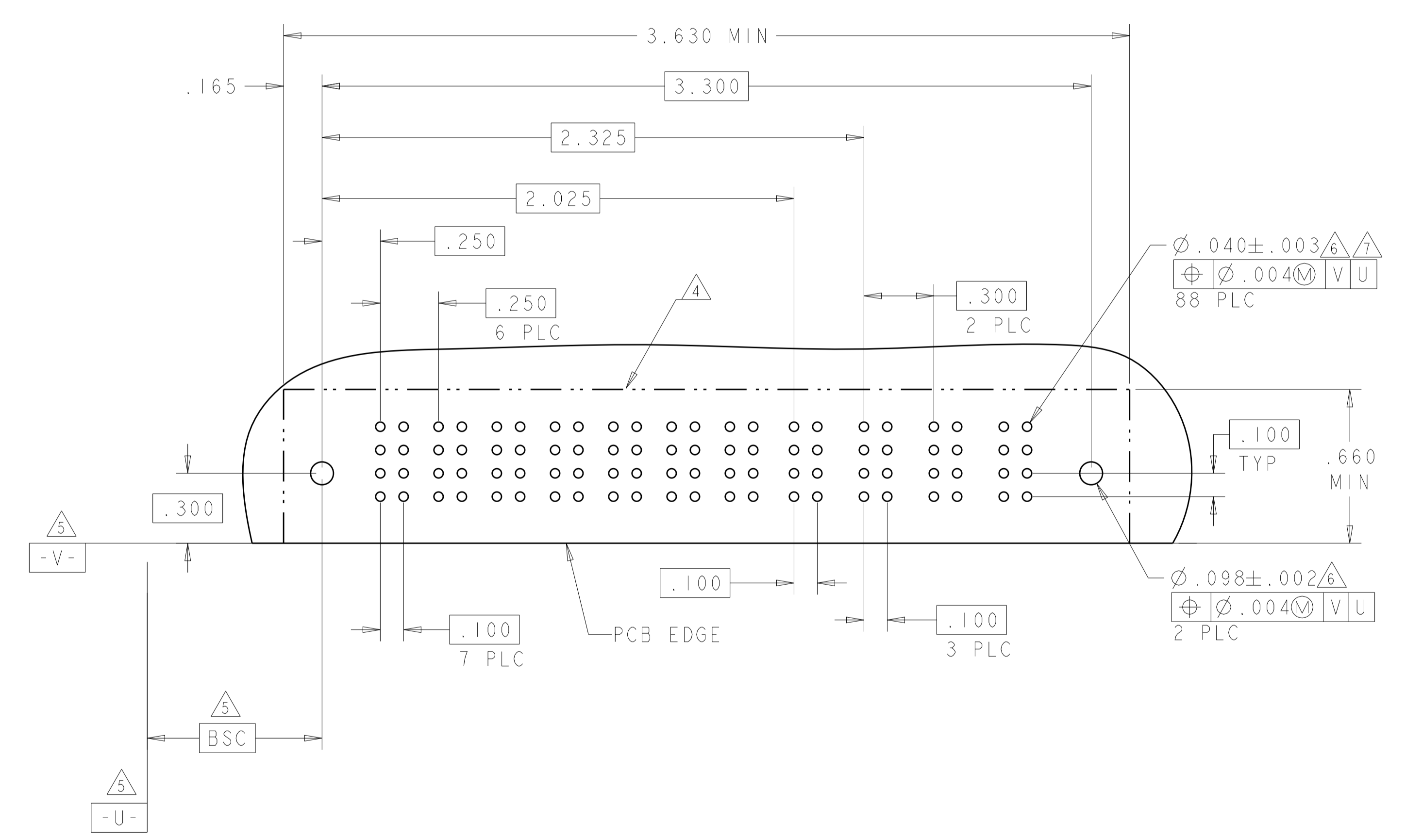
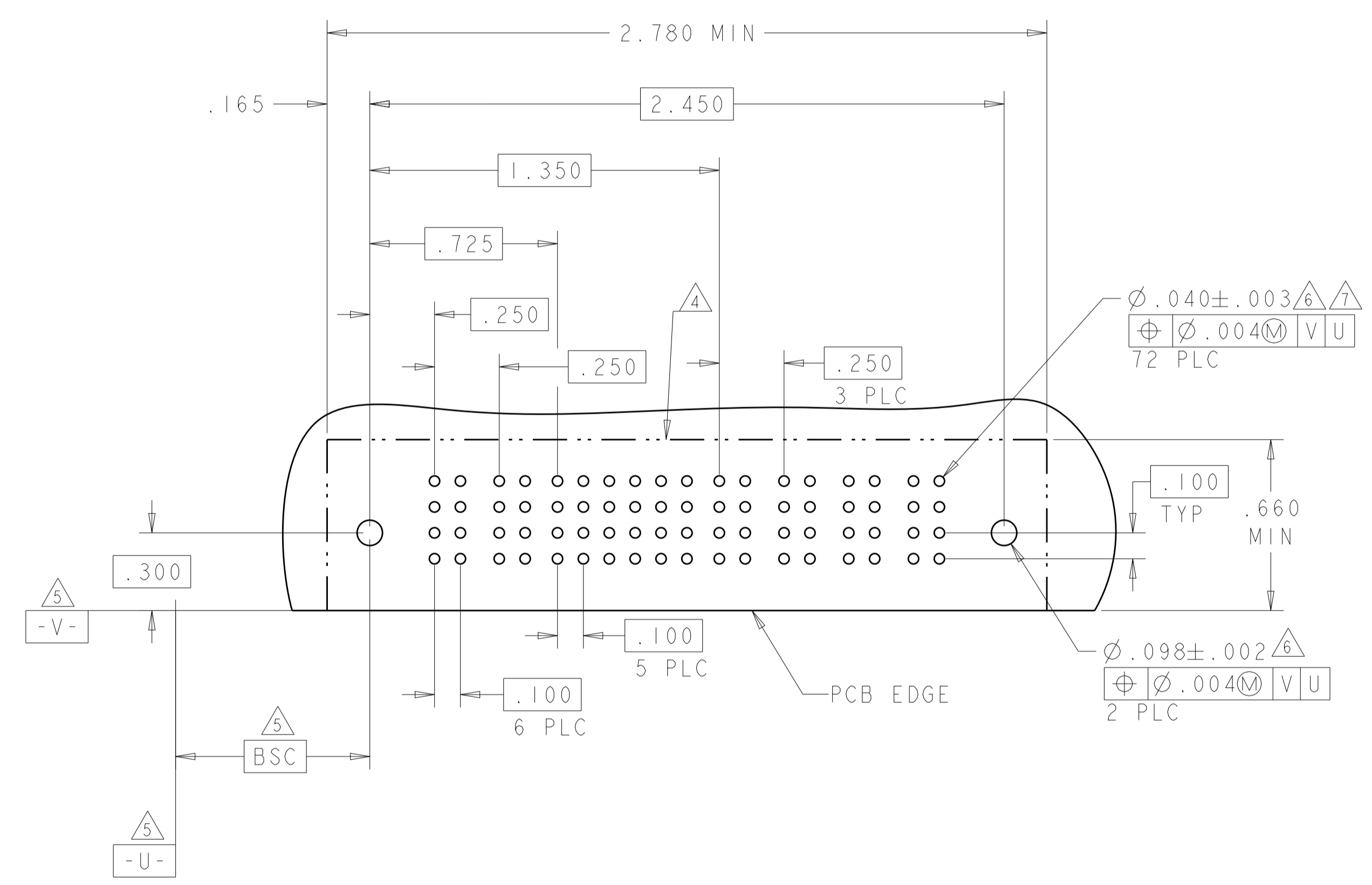
4805 (3/11)



| LOC | DIST | REVISIONS   |      |     |      |
|-----|------|-------------|------|-----|------|
| P   | LTN  | DESCRIPTION | DATE | DMN | APVD |
| ES  | 00   | SEE SHEET 1 |      |     |      |

| PART NUMBER   | ROWS | POWER |    | SIGNAL |   |   |   |   |   | POWER |    |    |    |
|---------------|------|-------|----|--------|---|---|---|---|---|-------|----|----|----|
|               |      | P1    | P2 | 1      | 2 | 3 | 4 | 5 | 6 | P3    | P4 | P5 | P6 |
| 5-6450120-3   | D    |       |    | J      | J | J | J | J | J |       |    |    |    |
|               | C    |       |    | K      | K | K | K | K | K |       |    |    |    |
|               | B    |       |    | N      | N | N | N | N | N |       |    |    |    |
|               | A    | HD    |    |        | S | S | S | S | S |       |    |    | HD |
| 2P + 24S + 4P |      |       |    |        |   |   |   |   |   |       |    |    |    |

| PART NUMBER    | ROWS | POWER |    |    |    |    |    |    | SIGNAL |   | POWER |    |     |
|----------------|------|-------|----|----|----|----|----|----|--------|---|-------|----|-----|
|                |      | P1    | P2 | P3 | P4 | P5 | P6 | P7 | 1      | 2 | P8    | P9 | P10 |
| 5-6450120-5    | D    |       |    |    |    |    |    |    | J      | J |       |    |     |
|                | C    |       |    |    |    |    |    |    | K      | K |       |    |     |
|                | B    |       |    |    |    |    |    |    | N      | N |       |    |     |
|                | A    | HD    |    |    |    |    |    |    | S      | S |       |    | HD  |
| 7P + 8S + 3ACP |      |       |    |    |    |    |    |    |        |   |       |    |     |



THIS DRAWING IS A CONTROLLED DOCUMENT.

|                       |                                                                                                                              |        |                                                                                       |                                                          |
|-----------------------|------------------------------------------------------------------------------------------------------------------------------|--------|---------------------------------------------------------------------------------------|----------------------------------------------------------|
| DIMENSIONS:<br>INCHES | TOLERANCES UNLESS OTHERWISE SPECIFIED:<br>0 PLC ±.<br>1 PLC ±.01<br>2 PLC ±.01<br>3 PLC ±.005<br>4 PLC ±.0020<br>ANGLES ±.2° | FINISH | OWN: R. GRZYBOWSKI 02FEB05<br>CHK: M. PERCHERKE 02FEB05<br>APVD: M. PERCHERKE 02FEB05 | NAME: RIGHT ANGLE HEADER W/GUIDES ASSEMBLY MULTI-BEAM XL |
| MATERIAL              | FINISH                                                                                                                       | WEIGHT | PRODUCT SPEC: 108-1973<br>APPLICATION SPEC: 114-13038                                 | SIZE: A1<br>CAGE CODE: 00779<br>DRAWING NO: C=6450120    |
| CUSTOMER DRAWING      |                                                                                                                              |        | SCALE: 4:1                                                                            | SHEET 17 OF 24<br>REV: M2                                |

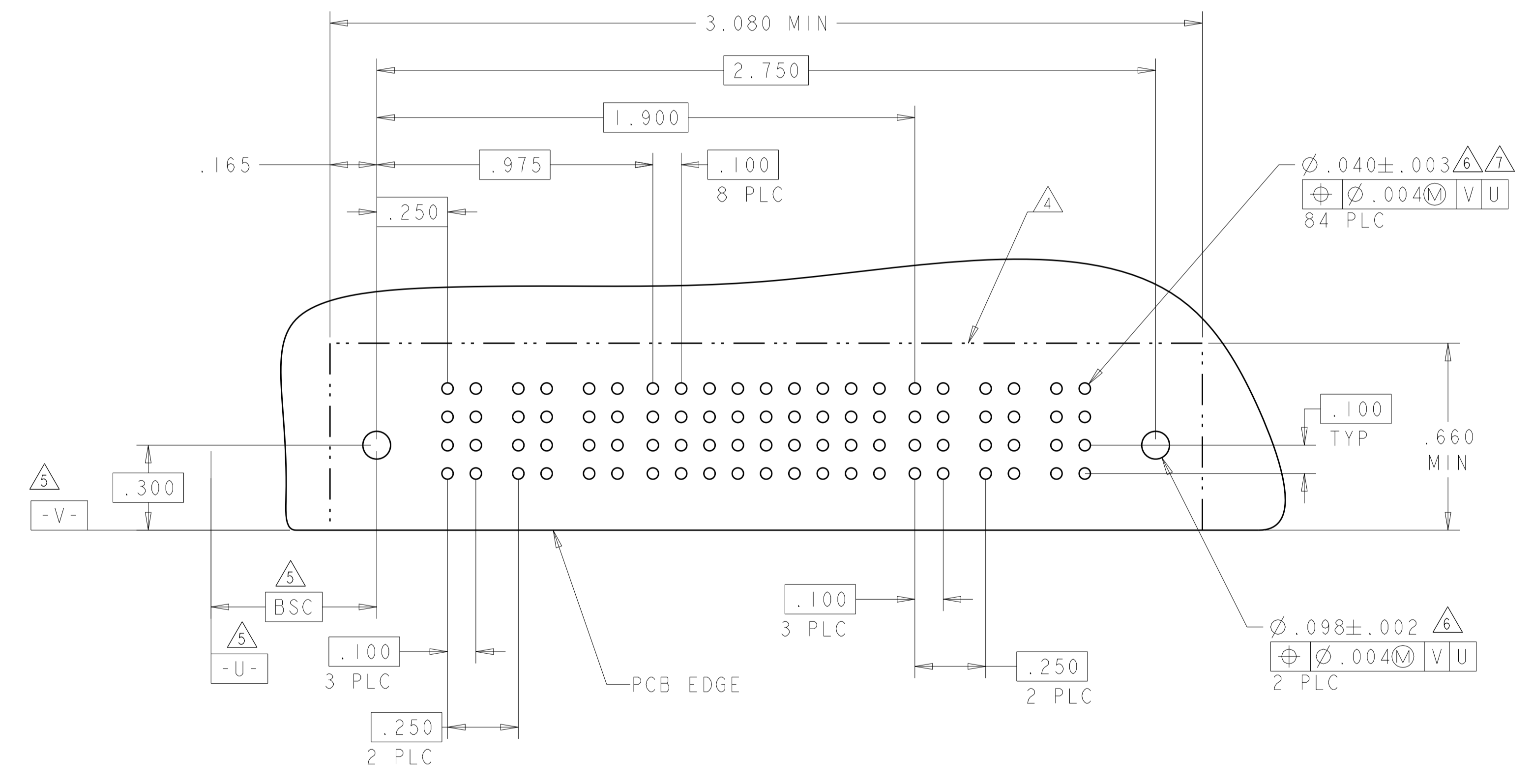
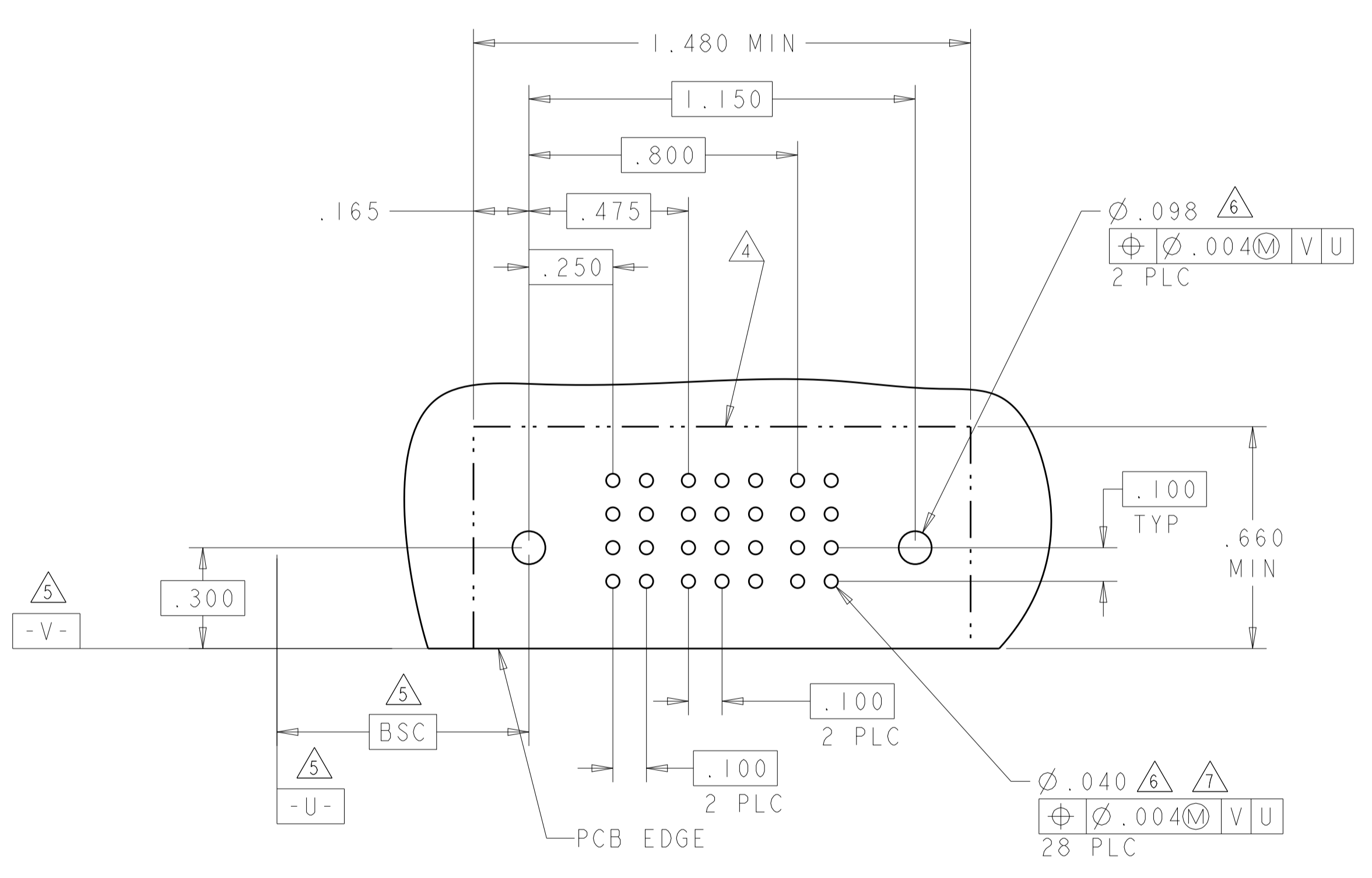
4805 (3/11)

| LOC | DIST | REVISIONS |     |             |      |     |      |
|-----|------|-----------|-----|-------------|------|-----|------|
|     |      | P         | LTH | DESCRIPTION | DATE | DWN | APVD |
| ES  | 00   | -         | -   | SEE SHEET 1 | -    | -   | -    |

| PART NUMBER   | ROWS             | POWER |    | SIGNAL |   |   | POWER |    |
|---------------|------------------|-------|----|--------|---|---|-------|----|
|               |                  | P1    | P2 | 1      | 2 | 3 | P3    | P4 |
| 6-6450120-9   | D<br>C<br>B<br>A | PM    | PM | J      | J | E | PM    | PM |
|               |                  |       |    | K      | K | K |       |    |
|               |                  |       |    | N      | N | N |       |    |
|               |                  |       |    | H      | S | S |       |    |
| IP + 12S + IP |                  |       |    |        |   |   |       |    |

| PART NUMBER   | ROWS             | POWER |    |    | SIGNAL |   |   |   |   |   |   |   |   | POWER |    |    |    |    |    |
|---------------|------------------|-------|----|----|--------|---|---|---|---|---|---|---|---|-------|----|----|----|----|----|
|               |                  | P1    | P2 | P3 | 1      | 2 | 3 | 4 | 5 | 6 | 7 | 8 | 9 | P4    | P5 | P6 |    |    |    |
| 5-6450120-7   | D<br>C<br>B<br>A | PM    | PM | PM | J      | J | J | J | J | J | J | J | J | J     | J  | J  | PM | PM | PM |
|               |                  |       |    |    | K      | K | K | K | K | K | K | K | K | K     | K  |    |    |    |    |
|               |                  |       |    |    | N      | N | N | N | N | N | N | N | N | N     | N  |    |    |    |    |
|               |                  |       |    |    | S      | S | S | S | S | S | S | S | S | S     |    |    |    |    |    |
| 3P + 36S + 3P |                  |       |    |    |        |   |   |   |   |   |   |   |   |       |    |    |    |    |    |

| PART NUMBER   | ROWS             | POWER |    | SIGNAL |   |   | POWER |    |
|---------------|------------------|-------|----|--------|---|---|-------|----|
|               |                  | P1    | P2 | 1      | 2 | 3 | P3    | P4 |
| 5-6450120-6   | D<br>C<br>B<br>A | PM    | PM | J      | J | J | PM    | PM |
|               |                  |       |    | K      | K | K |       |    |
|               |                  |       |    | N      | N | N |       |    |
|               |                  |       |    | S      | S | S |       |    |
| IP + 12S + IP |                  |       |    |        |   |   |       |    |

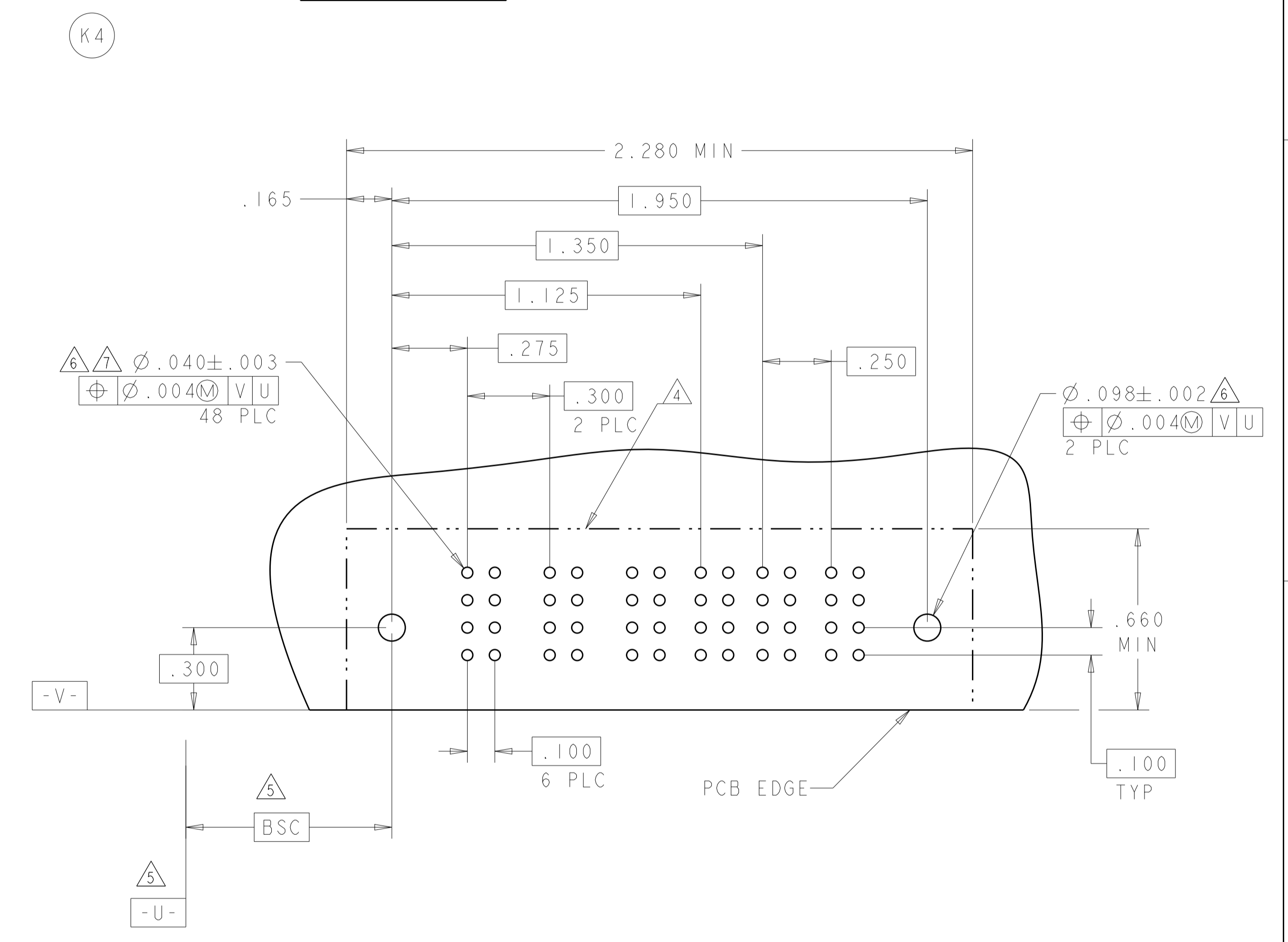
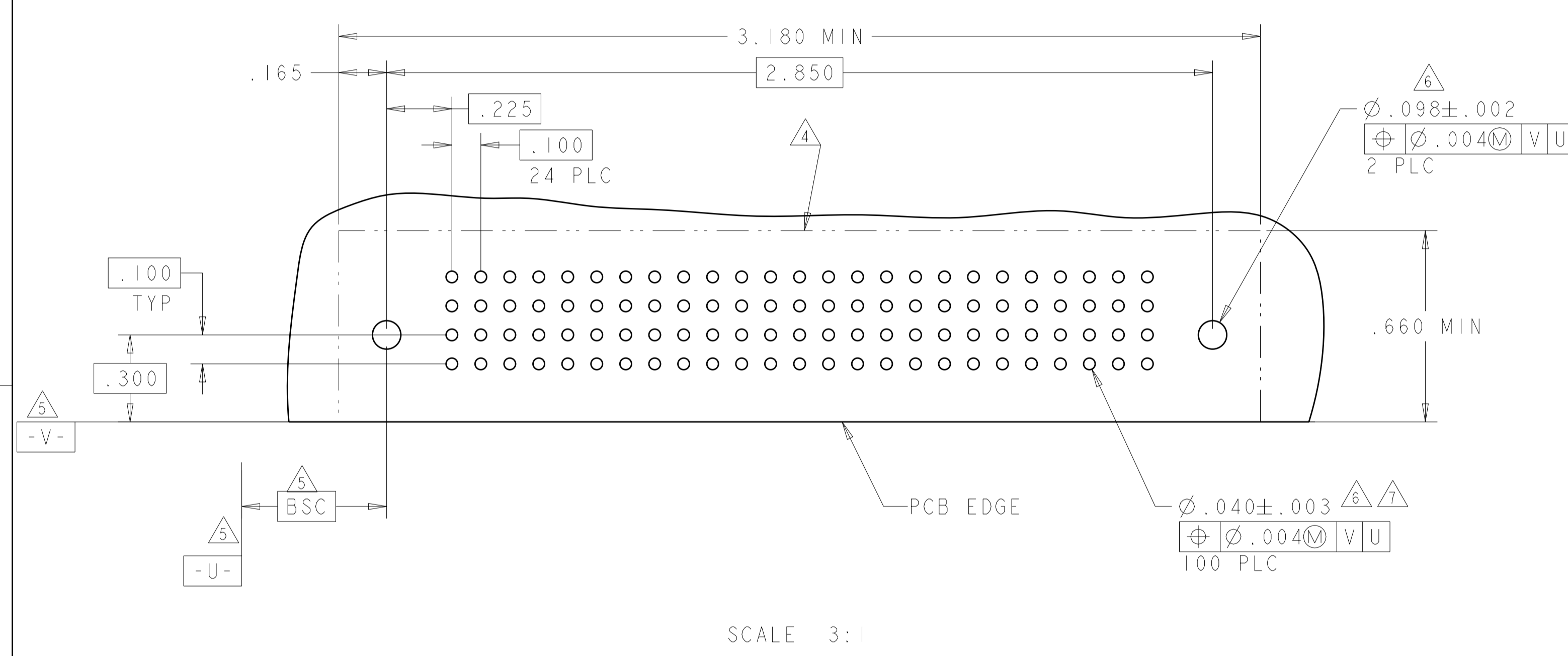


|                                                                                        |  |                                                                                  |  |                                                                                                                          |  |
|----------------------------------------------------------------------------------------|--|----------------------------------------------------------------------------------|--|--------------------------------------------------------------------------------------------------------------------------|--|
| THIS DRAWING IS A CONTROLLED DOCUMENT.                                                 |  | DWN R. GRZYBOWSKI 02FEB05                                                        |  | TE Connectivity                                                                                                          |  |
| DIMENSIONS: INCHES                                                                     |  | TOLERANCES UNLESS OTHERWISE SPECIFIED:                                           |  |                                                                                                                          |  |
| 0 PLC ±.01<br>1 PLC ±.01<br>2 PLC ±.01<br>3 PLC ±.005<br>4 PLC ±.0020<br>ANGLES ±.020° |  | PRODUCT SPEC 108-1973<br>APPLICATION SPEC 114-13038<br>WEIGHT<br>MATERIAL FINISH |  | NAME RIGHT ANGLE HEADER W/GUIDES ASSEMBLY MULTI-BEAM XL<br>SIZE CAGE CODE DRAWING NO. A100779 C=6450120<br>RESTRICTED TO |  |
| MATERIAL                                                                               |  | CUSTOMER DRAWING                                                                 |  | SCALE 4:1 SHEET 18 OF 24 REV M2                                                                                          |  |

| LOC | DIST | REV         | DATE | APP'D |
|-----|------|-------------|------|-------|
| ES  | 00   |             |      |       |
|     |      | DESCRIPTION | DATE | APP'D |
|     |      | SEE SHEET 1 |      |       |

| PART NUMBER | ROWS | SIGNAL |   |   |   |   |   |   |   |   |    |    |    |    |    |    |    |    |    |    |    |    |    |    |    |    |
|-------------|------|--------|---|---|---|---|---|---|---|---|----|----|----|----|----|----|----|----|----|----|----|----|----|----|----|----|
|             |      | 1      | 2 | 3 | 4 | 5 | 6 | 7 | 8 | 9 | 10 | 11 | 12 | 13 | 14 | 15 | 16 | 17 | 18 | 19 | 20 | 21 | 22 | 23 | 24 | 25 |
| 5-6450120-8 | D    | J      | J | J | J | J | J | J | J | J | J  | J  | J  | J  | J  | J  | J  | J  | J  | J  | J  | J  | J  | J  | J  | J  |
|             | C    | K      | K | K | K | K | K | K | K | K | K  | K  | K  | K  | K  | K  | K  | K  | K  | K  | K  | K  | K  | K  | K  | K  |
|             | B    | N      | N | N | N | N | N | N | N | N | N  | N  | N  | N  | N  | N  | N  | N  | N  | N  | N  | N  | N  | N  | N  | N  |
| A           | S    | S      | S | S | S | S | S | S | S | S | S  | S  | S  | S  | S  | S  | S  | S  | S  | S  | S  | S  | S  | S  | S  | S  |
|             |      | HD     |   |   |   |   |   |   |   |   |    |    |    |    |    |    |    |    |    |    |    |    |    |    | HD |    |
| 100S        |      |        |   |   |   |   |   |   |   |   |    |    |    |    |    |    |    |    |    |    |    |    |    |    |    |    |

| PART NUMBER    | ROWS | POWER |    |    | SIGNAL |   | POWER |    |
|----------------|------|-------|----|----|--------|---|-------|----|
|                |      | P1    | P2 | P3 | 1      | 2 | P4    | P5 |
| 5-6450120-9    | D    | PM    | PM | PM | J      | J | PM    | PM |
|                | C    |       |    |    | K      | K |       |    |
|                | B    |       |    |    | N      | N |       |    |
| A              |      |       |    | H  | S      |   |       |    |
|                |      | HD    |    |    |        |   | HD    |    |
| 3ACP + 8S + 2P |      |       |    |    |        |   |       |    |



THIS DRAWING IS A CONTROLLED DOCUMENT.

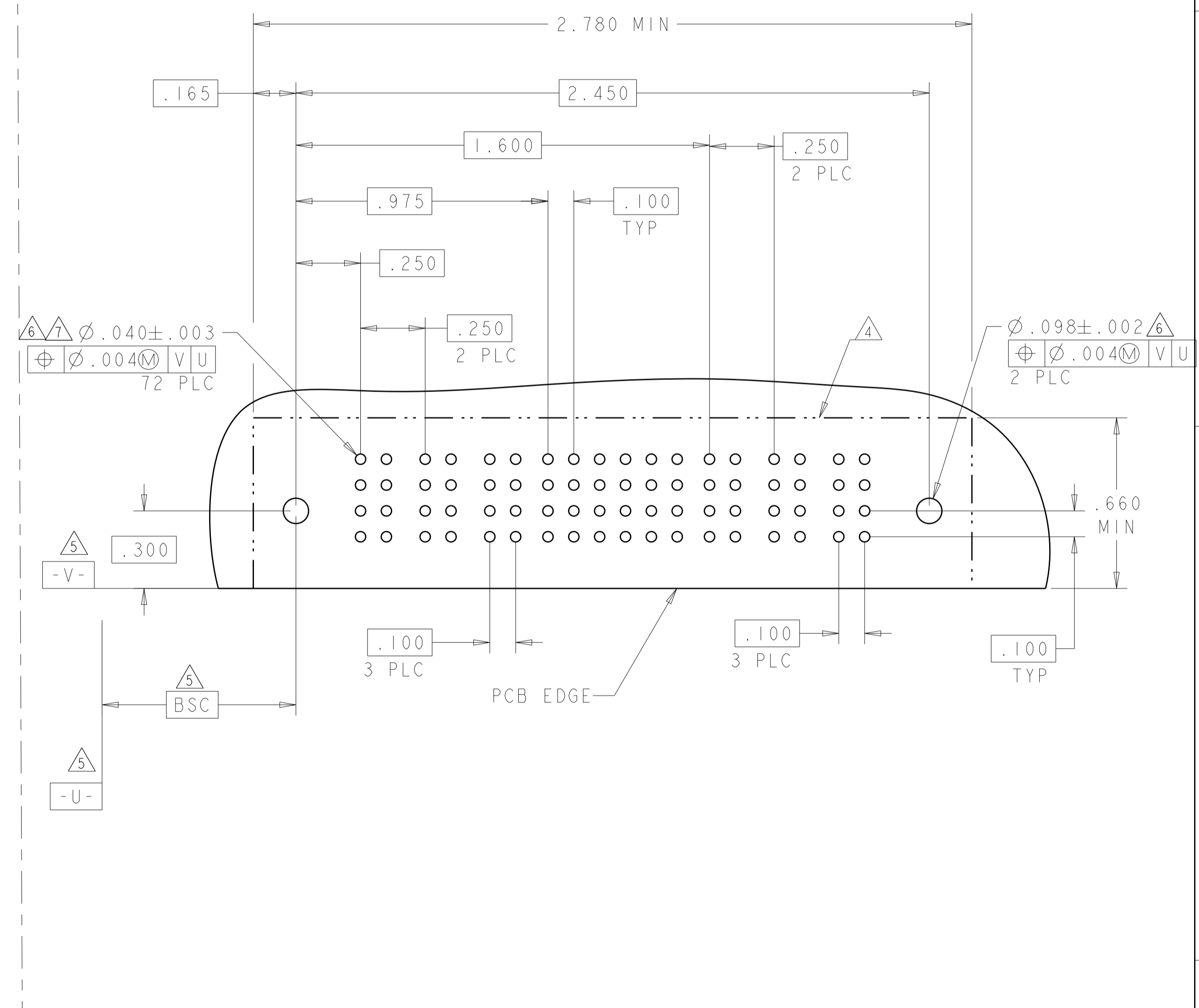
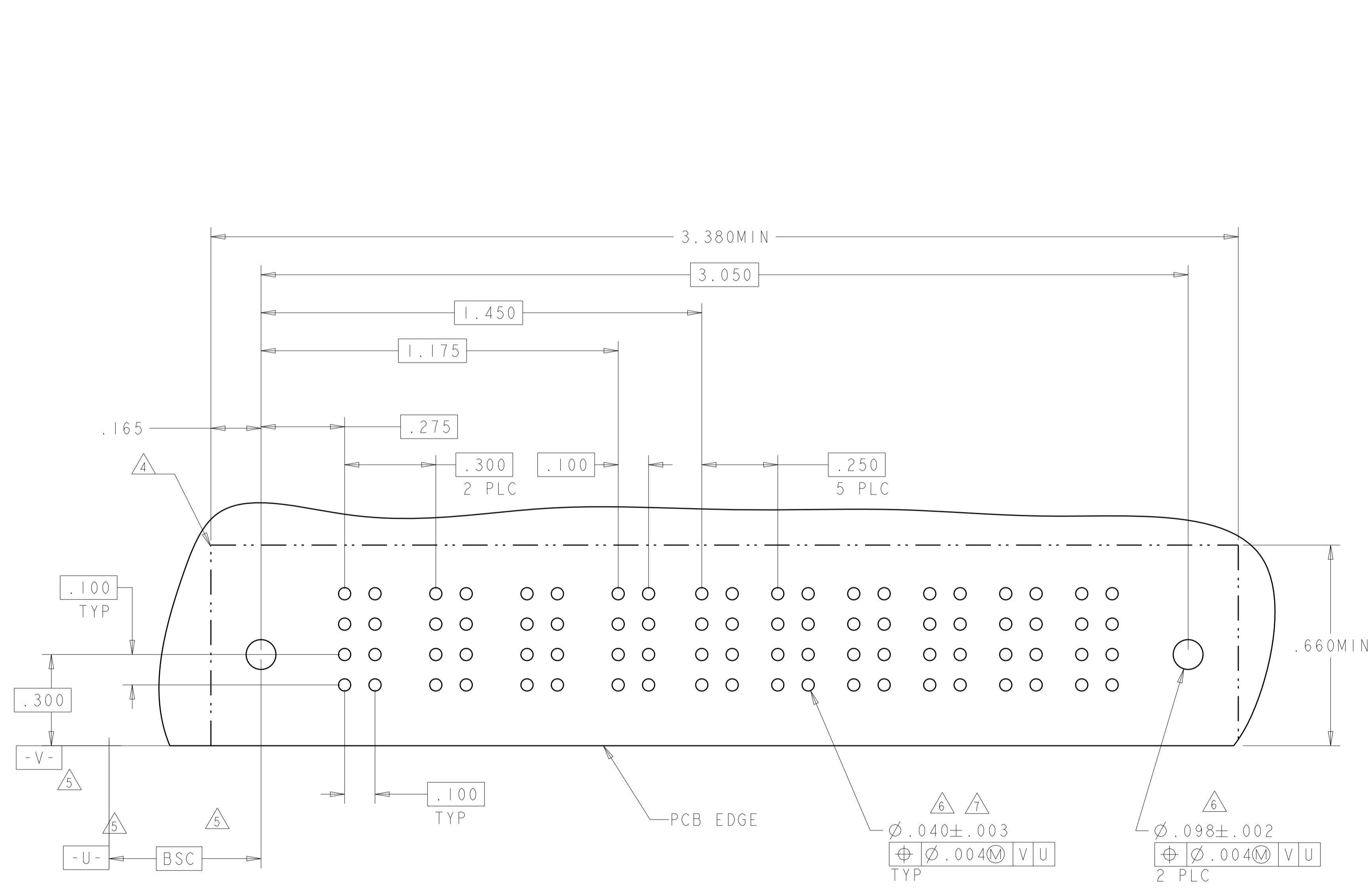
|                  |                                                                             |                            |                             |                            |                                                          |
|------------------|-----------------------------------------------------------------------------|----------------------------|-----------------------------|----------------------------|----------------------------------------------------------|
| DIMENSIONS:      | TOLERANCES UNLESS OTHERWISE SPECIFIED:                                      | OWN: R. GRZYBOWSKI 02FEB05 | CHK: M. PERCHERKE 02FEB05   | APVD: M. PERCHERKE 02FEB05 | NAME: RIGHT ANGLE HEADER W/GUIDES ASSEMBLY MULTI-BEAM XL |
| INCHES           | 0 PLC ± .01<br>2 PLC ± .01<br>3 PLC ± .01<br>4 PLC ± .005<br>ANGLES ± .0020 | PRODUCT SPEC: 108-1973     | APPLICATION SPEC: 114-13038 | WEIGHT: -                  | SIZE: A1                                                 |
| MATERIAL: -      | FINISH: -                                                                   | CAGE CODE: 6450120         | DRAWING NO: 100779          | SCALE: 4:1                 | SHEET 19 OF 24                                           |
| CUSTOMER DRAWING |                                                                             | REV: M2                    |                             | RESTRICTED TO: -           |                                                          |

4805 (3/11)

| LOC | DIST | REVISIONS   |      |     |      |
|-----|------|-------------|------|-----|------|
| P   | LTN  | DESCRIPTION | DATE | DMN | APVD |
| ES  | 00   | SEE SHEET 1 |      |     |      |

| PART NUMBER    | ROWS | POWER |    |    | SIGNAL |   | POWER |    |    |    |    |    |
|----------------|------|-------|----|----|--------|---|-------|----|----|----|----|----|
|                |      | P1    | P2 | P3 | 1      | 2 | P4    | P5 | P6 | P7 | P8 | P9 |
| 6-6450120-0    | D    | PM    | PM | PM | J      | J | PM    | PM | PM | PM | PM | PM |
|                | C    |       |    |    | K      | K |       |    |    |    |    |    |
|                | B    |       |    |    | N      | N |       |    |    |    |    |    |
|                | A    |       |    |    | H      | S |       |    |    |    |    |    |
| 3ACP + 8S + 6P |      |       |    |    |        |   |       |    |    |    |    |    |

| PART NUMBER   | ROWS | POWER |    |    | SIGNAL |   |   |   |   |   | POWER |    |    |
|---------------|------|-------|----|----|--------|---|---|---|---|---|-------|----|----|
|               |      | P1    | P2 | P3 | 1      | 2 | 3 | 4 | 5 | 6 | P4    | P5 | P6 |
| 6-6450120-1   | D    | PM    | PM | PM | J      | J | J | J | J | J | PM    | PM | PM |
|               | C    |       |    |    | K      | K | F | F | K | K |       |    |    |
|               | B    |       |    |    | N      | N | G | G | N | N |       |    |    |
|               | A    |       |    |    | S      | S | S | S | S | S |       |    |    |
| 3P + 24S + 3P |      |       |    |    |        |   |   |   |   |   |       |    |    |



|                                        |              |                             |                                                          |
|----------------------------------------|--------------|-----------------------------|----------------------------------------------------------|
| THIS DRAWING IS A CONTROLLED DOCUMENT. |              | OWN: R. GRZYBOWSKI 02FEB05  | TE Connectivity                                          |
| DIMENSIONS: INCHES                     |              | CHK: M. PERCHERKE 02FEB05   |                                                          |
| TOLERANCES UNLESS OTHERWISE SPECIFIED: |              | APVD: M. PERCHERKE 02FEB05  | NAME: RIGHT ANGLE HEADER W/GUIDES ASSEMBLY MULTI-BEAM XL |
| 0 PLC ±                                | 1 PLC ±.01   | PRODUCT SPEC: 108-1973      | SIZE: CAGE CODE DRAWING NO: A100779                      |
| 2 PLC ±.01                             | 3 PLC ±.005  | APPLICATION SPEC: 114-13038 | RESTRICTED TO: -                                         |
| 4 PLC ±.0020                           | ANGLES ±.020 | WEIGHT: -                   | SCALE: 4:1 SHEET 20 OF 24 REV: M2                        |
| MATERIAL: -                            | FINISH: -    | CUSTOMER DRAWING            |                                                          |

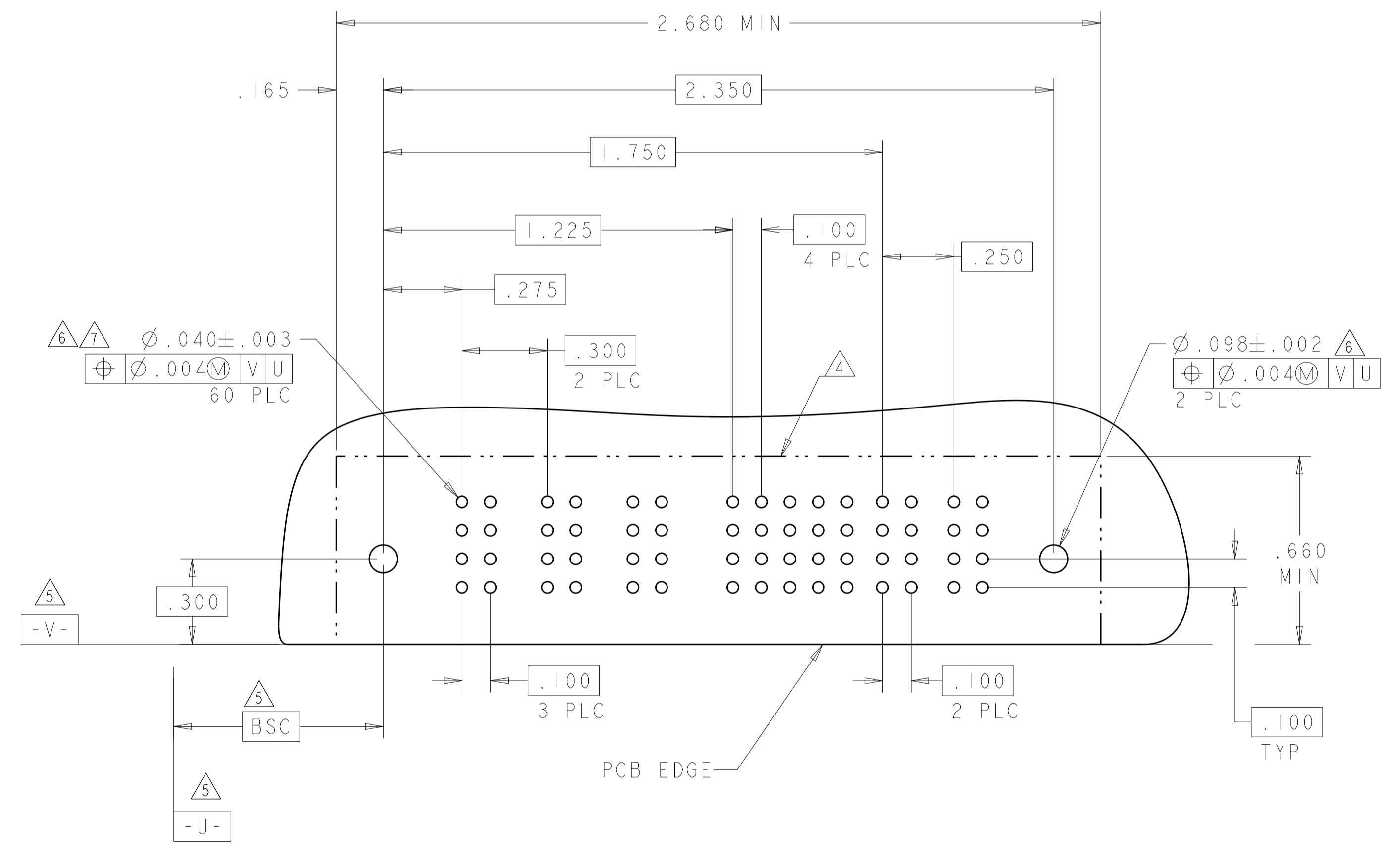
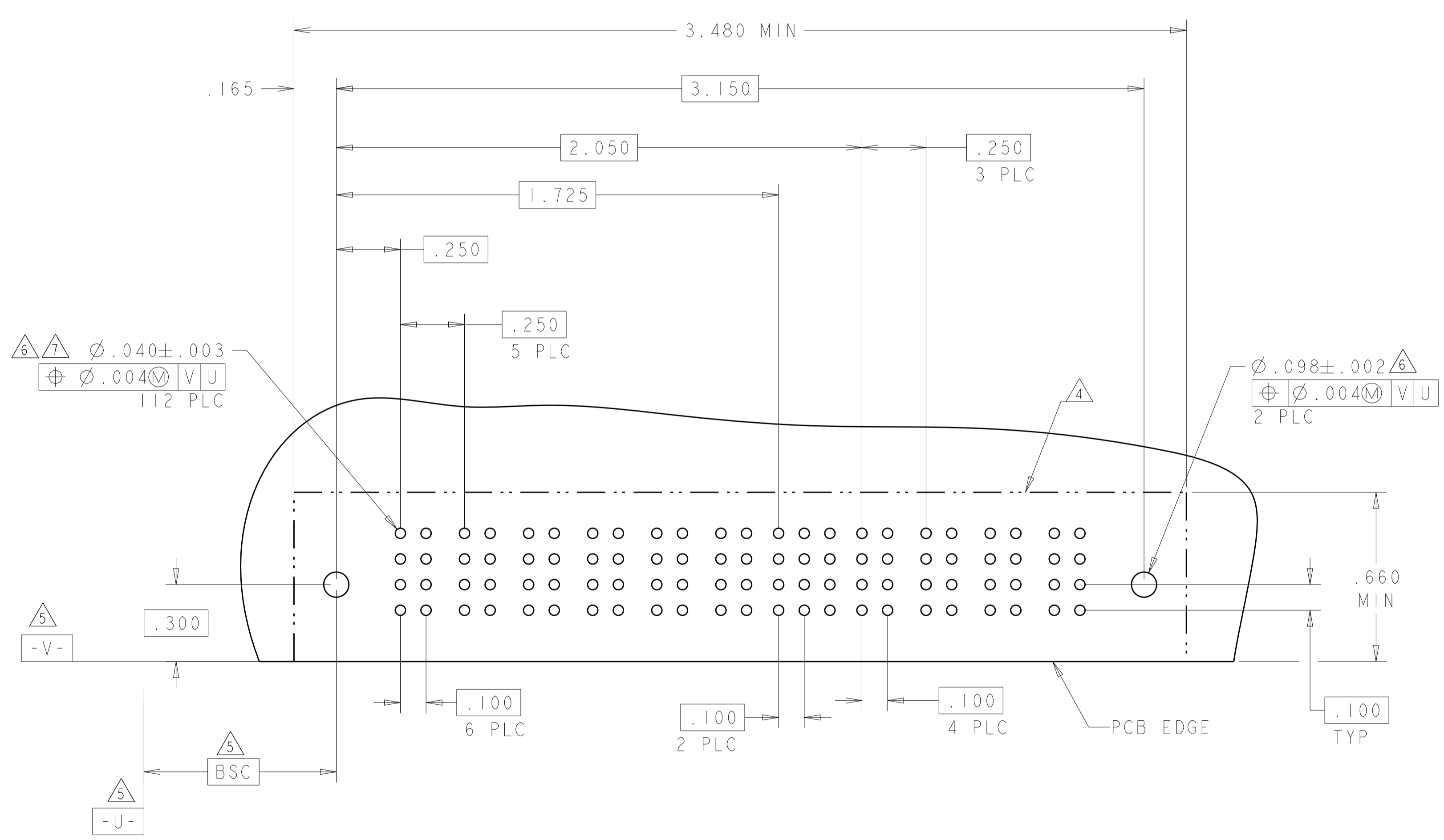
| LOC | DIST | REVISIONS |     |             |      |     |      |
|-----|------|-----------|-----|-------------|------|-----|------|
| ES  | 00   | P         | LTN | DESCRIPTION | DATE | DMN | APVD |
|     |      | -         |     | SEE SHEET 1 | -    | -   | -    |

| PART NUMBER   | ROWS             | POWER |    |    |    |    |    | SIGNAL |   |    | POWER |    |    |     |
|---------------|------------------|-------|----|----|----|----|----|--------|---|----|-------|----|----|-----|
|               |                  | P1    | P2 | P3 | P4 | P5 | P6 | 1      | 2 | 3  | P7    | P8 | P9 | P10 |
| 6-6450120-4   | D<br>C<br>B<br>A | PM    | PM | PM | PM | PM | J  | J      | E | PM | PM    | PM | PM |     |
|               |                  |       |    |    |    |    | K  | K      | F |    |       |    |    |     |
|               |                  |       |    |    |    |    | N  | N      | N |    |       |    |    |     |
| 6P + 12S + 4P |                  | HD    |    |    |    |    |    |        |   |    |       |    | HD |     |

| PART NUMBER     | ROWS             | POWER |    |    | SIGNAL |   |   |   |   |   | POWER |    |    |
|-----------------|------------------|-------|----|----|--------|---|---|---|---|---|-------|----|----|
|                 |                  | P1    | P2 | P3 | 1      | 2 | 3 | 4 | 5 | 6 | P4    | P5 |    |
| 6-6450120-5     | D<br>C<br>B<br>A | PM    | PM | PM | J      | J | J | J | J | J | PM    | PM |    |
|                 |                  |       |    |    | K      | K | K | K | K |   |       |    |    |
|                 |                  |       |    |    | N      | N | N | N | N |   |       |    |    |
| 3ACP + 24S + 2P |                  | HD    |    |    |        |   |   |   |   |   |       |    | HD |

(L3)

NO CONTACTS LOADED



|                                                                                    |  |                                                           |               |                                                    |                                 |
|------------------------------------------------------------------------------------|--|-----------------------------------------------------------|---------------|----------------------------------------------------|---------------------------------|
| THIS DRAWING IS A CONTROLLED DOCUMENT.                                             |  | DMN                                                       | R. GRZYBOWSKI | 02FEB05                                            | <b>STE</b> TE Connectivity      |
| DIMENSIONS:                                                                        |  | CHK                                                       | M. PERCHERKE  | 02FEB05                                            |                                 |
| INCHES                                                                             |  | TOLERANCES UNLESS OTHERWISE SPECIFIED:                    |               | NAME                                               |                                 |
| 0 PLC ±.01<br>1 PLC ±.01<br>2 PLC ±.01<br>3 PLC ±.01<br>4 PLC ±.01<br>ANGLES ±.020 |  | PRODUCT SPEC<br>108-1973<br>APPLICATION SPEC<br>114-13038 |               | RIGHT ANGLE HEADER W/GUIDES ASSEMBLY MULTI-BEAM XL |                                 |
| MATERIAL                                                                           |  | FINISH                                                    |               | SIZE                                               | RESTRICTED TO                   |
|                                                                                    |  |                                                           |               | A100779                                            | C=6450120                       |
|                                                                                    |  |                                                           |               | CUSTOMER DRAWING                                   | SCALE 4:1 SHEET 21 OF 24 REV M2 |

| LOC | DIST | REV | DATE | BY | APPV |
|-----|------|-----|------|----|------|
| ES  | 00   |     |      |    |      |

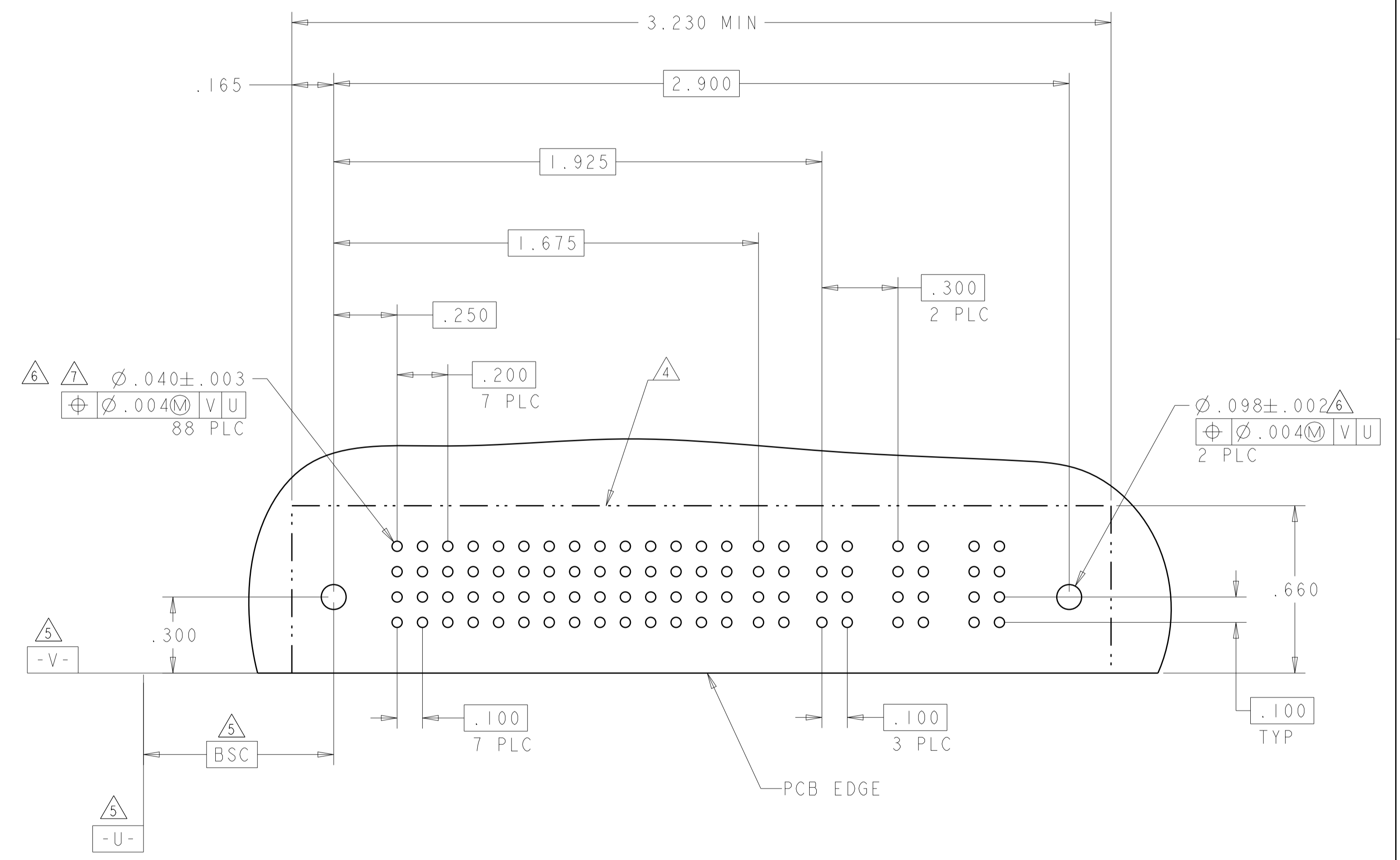
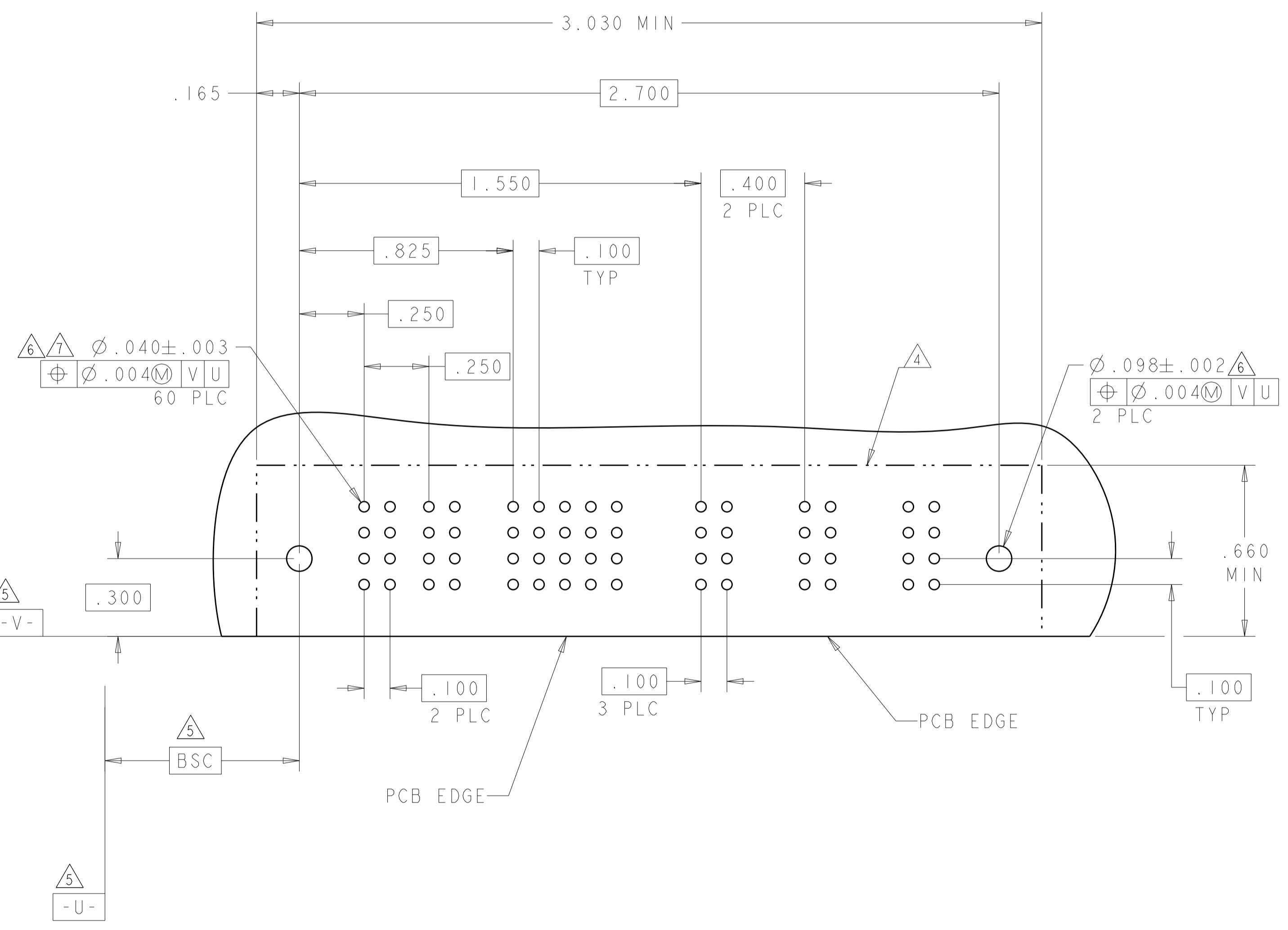
| REVISIONS |      |    |      |             |      |
|-----------|------|----|------|-------------|------|
| REV       | DATE | BY | APPV | DESCRIPTION | DATE |
| -         | -    | -  | -    | SEE SHEET 1 | -    |

| PART NUMBER   | ROWS | POWER |    | SIGNAL |   |   |   |   |   | POWER |    |    |    |    |    |
|---------------|------|-------|----|--------|---|---|---|---|---|-------|----|----|----|----|----|
|               |      | P1    | P2 | 1      | 2 | 3 | 4 | 5 | 6 | P3    | P4 | P5 | P6 | P7 | P8 |
| 6-6450120-6   | D    | PM    | PM | J      | J | J | J | J |   | PM    | PM | PM | PM | PM | PM |
|               | C    |       |    | K      | K | K | K | K |   |       |    |    |    |    |    |
|               | B    |       |    | N      | N | N | N | N |   |       |    |    |    |    |    |
| A             | S    | S     | S  | S      | S |   |   |   |   |       |    |    |    |    |    |
| 2P + 24S + 6P |      | HD    |    |        |   |   |   |   |   | HD    |    |    |    |    |    |

NO CONTACTS LOADED

| PART NUMBER      | ROWS | POWER |    |    |    |    |    |    | SIGNAL |   | POWER |    |     |
|------------------|------|-------|----|----|----|----|----|----|--------|---|-------|----|-----|
|                  |      | P1    | P2 | P3 | P4 | P5 | P6 | P7 | 1      | 2 | P8    | P9 | P10 |
| 6-6450120-7      | D    | PM    | PM | PM | PM | PM | PM | PM | E      | E | PM    | PM | PM  |
|                  | C    |       |    |    |    |    |    |    | F      | F |       |    |     |
|                  | B    |       |    |    |    |    |    |    | G      | G |       |    |     |
|                  | A    |       |    |    |    |    |    |    | H      | H |       |    |     |
| 7HDP + 8S + 3ACP |      | HD    |    |    |    |    |    |    |        |   | HD    |    |     |

(L5)



THIS DRAWING IS A CONTROLLED DOCUMENT.

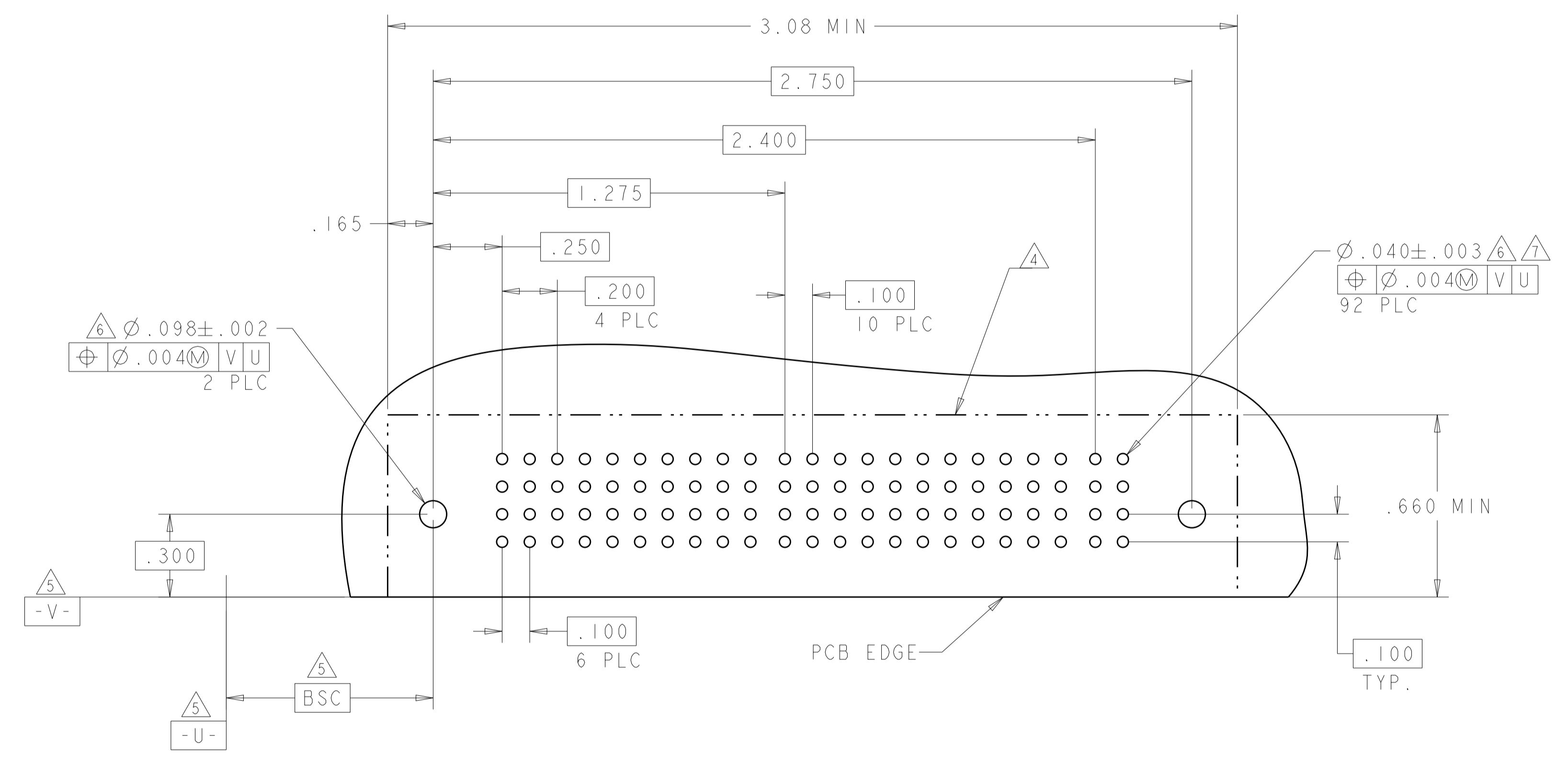
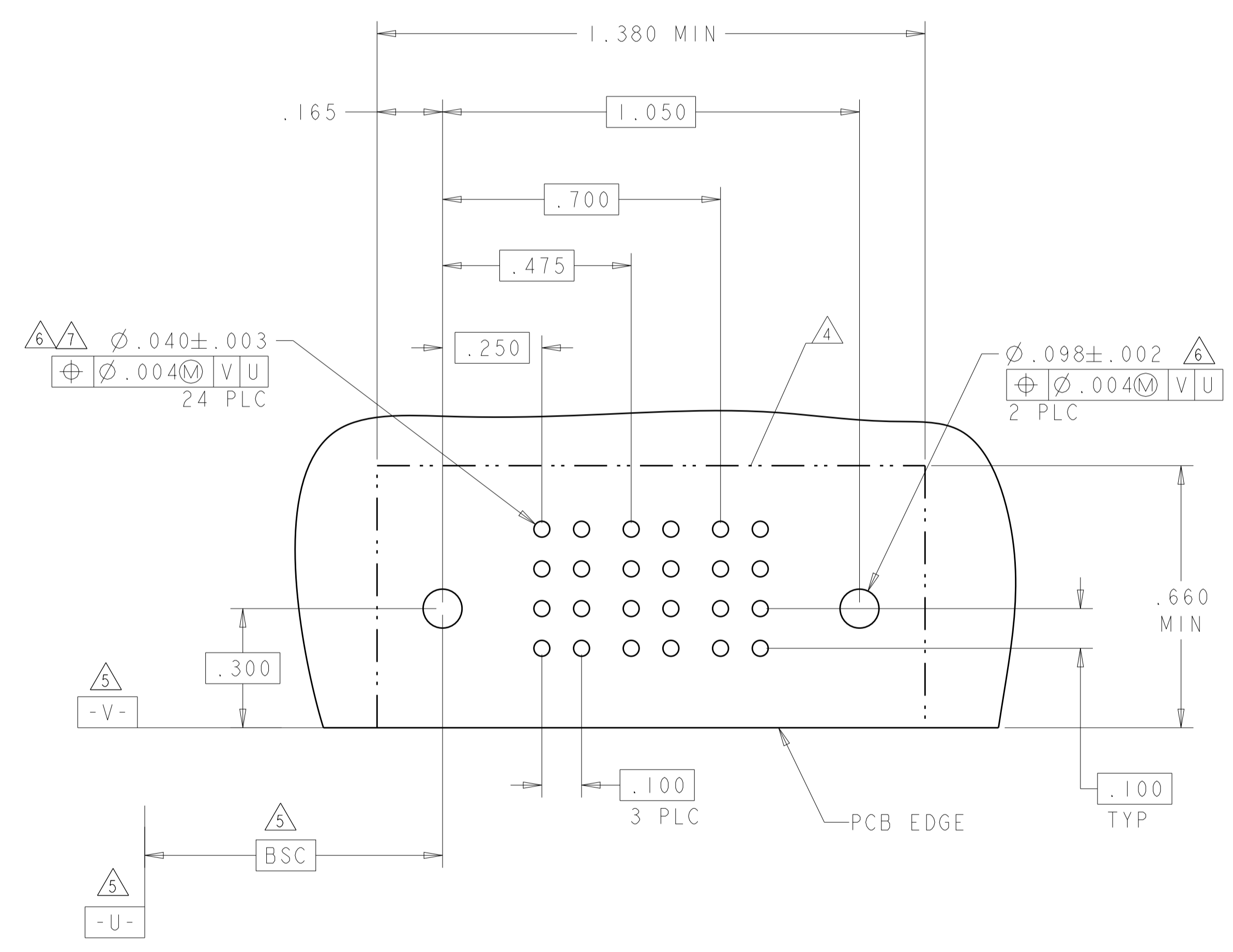
|             |                                                                                      |                            |                             |                            |                                                          |
|-------------|--------------------------------------------------------------------------------------|----------------------------|-----------------------------|----------------------------|----------------------------------------------------------|
| DIMENSIONS: | TOLERANCES UNLESS OTHERWISE SPECIFIED:                                               | OWN: R. GRZYBOWSKI 02FEB05 | CHK: M. PERCHERKE 02FEB05   | APVD: M. PERCHERKE 02FEB05 | NAME: RIGHT ANGLE HEADER W/GUIDES ASSEMBLY MULTI-BEAM XL |
| INCHES      | 0 PLC ±.01<br>1 PLC ±.01<br>2 PLC ±.01<br>3 PLC ±.005<br>4 PLC ±.002<br>ANGLES ±.020 | PRODUCT SPEC: 108-1973     | APPLICATION SPEC: 114-13038 | WEIGHT: -                  | SIZE: A1                                                 |
| MATERIAL: - | FINISH: -                                                                            | CAGE CODE: 6450120         | SCALE: 4:1                  | SHEET: 22                  | REV: M2                                                  |

CUSTOMER DRAWING

| LOC |    | DIST |     | REVISONS    |      |     |      |
|-----|----|------|-----|-------------|------|-----|------|
| ES  | 00 | P    | LTH | DESCRIPTION | DATE | DWN | APVD |
|     |    | -    |     | SEE SHEET 1 |      |     |      |

| PART NUMBER  | ROWS | POWER |    | SIGNAL |   | POWER |    |
|--------------|------|-------|----|--------|---|-------|----|
|              |      | P1    | P2 | 1      | 2 | P1    | P2 |
| 6-6450120-8  | D    | PM    | PM | J      | J | PM    | PM |
|              | C    |       |    | K      | K |       |    |
|              | B    |       |    | N      | N |       |    |
|              | A    |       |    | S      | S |       |    |
| IP + 8S + IP |      | HD    |    |        |   | HD    |    |

| PART NUMBER   | ROWS | POWER |    |    |    |    | SIGNAL |   |   |   |   |   |   |   |   |    |    | POWER |  |  |  |
|---------------|------|-------|----|----|----|----|--------|---|---|---|---|---|---|---|---|----|----|-------|--|--|--|
|               |      | P1    | P2 | P3 | P4 | P5 | 1      | 2 | 3 | 4 | 5 | 6 | 7 | 8 | 9 | 10 | 11 | P6    |  |  |  |
| 7-6450120-0   | D    | PM    | PM | PM | PM | J  |        |   |   |   |   |   |   |   |   |    |    |       |  |  |  |
|               | C    |       |    |    |    |    |        |   |   |   |   |   |   |   |   |    |    |       |  |  |  |
|               | B    |       |    |    |    |    |        |   |   |   |   |   |   |   |   |    |    |       |  |  |  |
|               | A    |       |    |    |    |    |        |   |   |   |   |   |   |   |   |    |    |       |  |  |  |
| 5P + 44S + IP |      | HD    |    |    |    | G  | N      |   | N |   | N |   | N |   | K | F  | F  | F     |  |  |  |
|               |      |       |    |    |    | H  | H      | H | H | H | S | S | H |   |   |    |    |       |  |  |  |



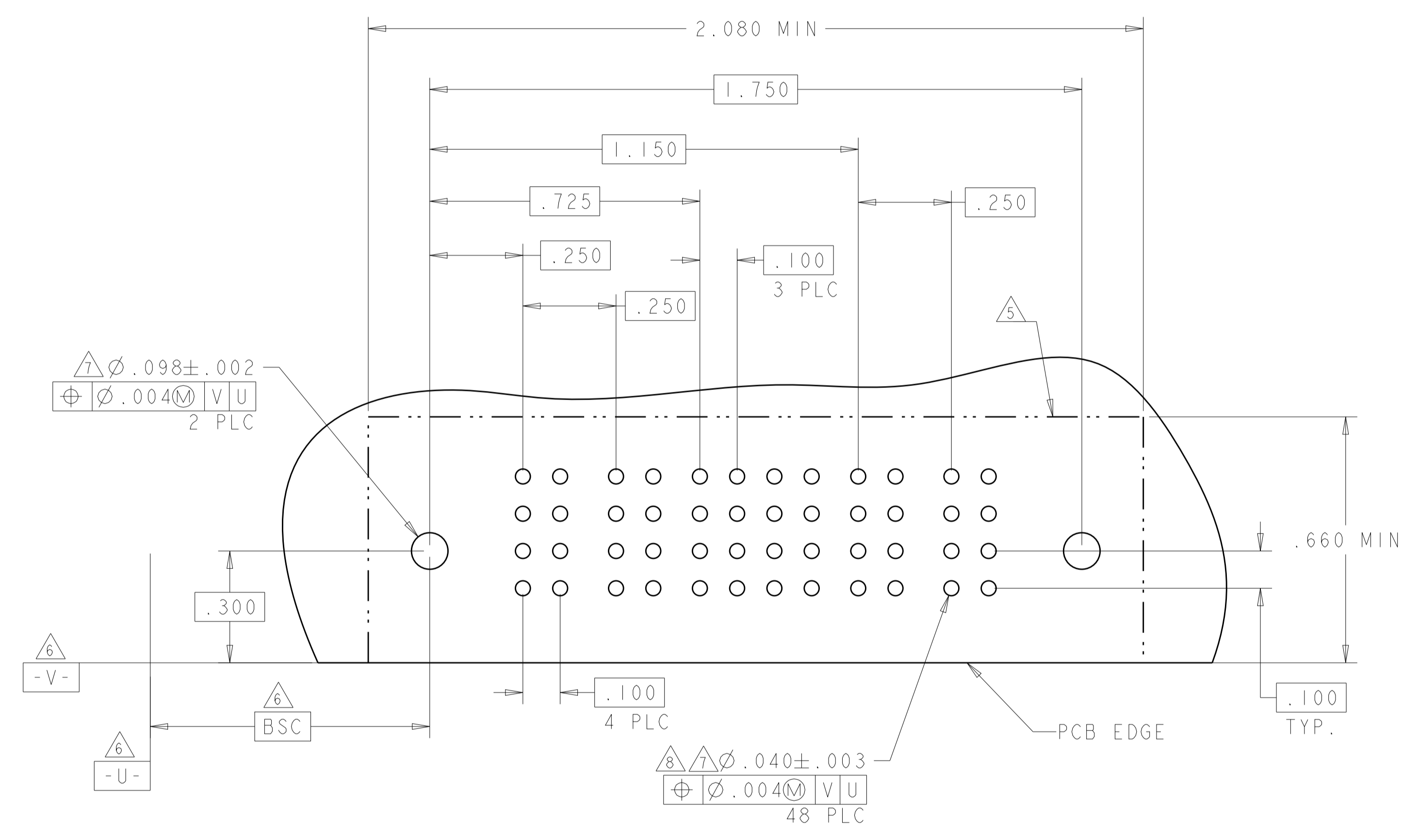
THIS DRAWING IS A CONTROLLED DOCUMENT.

|             |                                                             |                            |                             |                            |                                                          |
|-------------|-------------------------------------------------------------|----------------------------|-----------------------------|----------------------------|----------------------------------------------------------|
| DIMENSIONS: | TOLERANCES UNLESS OTHERWISE SPECIFIED:                      | DWN: R. GRZYBOWSKI 02FEB05 | CHK: M. PERCHERKE 02FEB05   | APVD: M. PERCHERKE 02FEB05 | NAME: RIGHT ANGLE HEADER W/GUIDES ASSEMBLY MULTI-BEAM XL |
| INCHES      | 0 PLC ± .01<br>2 PLC ± .01<br>3 PLC ± .005<br>4 PLC ± .0020 | PRODUCT SPEC: 108-1973     | APPLICATION SPEC: 114-13038 | WEIGHT: -                  | SIZE: A1                                                 |
| MATERIAL: - | FINISH: -                                                   | RESTRICTED TO: -           | CUSTOMER DRAWING            | SCALE: 4:1                 | SHEET 23 OF 24                                           |

4805 (3/11)

| LOC | DIST | REVISIONS     |      |     |      |
|-----|------|---------------|------|-----|------|
| P   | LTN  | DESCRIPTION   | DATE | DMN | APVD |
| ES  | 00   | - SEE SHEET 1 | -    | -   | -    |
|     |      |               |      |     |      |
|     |      |               |      |     |      |

| PART NUMBER   | ROWS | POWER |    | SIGNAL |   |   |   | POWER |    |
|---------------|------|-------|----|--------|---|---|---|-------|----|
|               |      | P1    | P2 | 1      | 2 | 3 | 4 | P3    | P4 |
| 7-6450120-1   | D    | PM    | PM | E      | E | E | E | PM    | PM |
|               | C    |       |    | F      | F | F | F |       |    |
|               | B    |       |    | N      | N | N | N |       |    |
|               | A    |       |    | H      | H | H | H |       |    |
| 2P + 16S + 2P |      | HD    | HD |        |   |   |   | HD    | HD |



THIS DRAWING IS A CONTROLLED DOCUMENT.

|                       |                                                                                                                             |                                                                                                                                                                                 |                                                                                                                                                                                  |
|-----------------------|-----------------------------------------------------------------------------------------------------------------------------|---------------------------------------------------------------------------------------------------------------------------------------------------------------------------------|----------------------------------------------------------------------------------------------------------------------------------------------------------------------------------|
| DIMENSIONS:<br>INCHES | TOLERANCES UNLESS OTHERWISE SPECIFIED:<br>0 PLC ±.<br>1 PLC ±.01<br>2 PLC ±.01<br>3 PLC ±.005<br>4 PLC ±.0020<br>ANGLES ±7° | DWN: R. GRZYBOWSKI 02FEB05<br>CHK: M. PERCHERKE 02FEB05<br>APVD: M. PERCHERKE 02FEB05<br>PRODUCT SPEC: 108-1973<br>APPLICATION SPEC: 114-13038<br>WEIGHT: -<br>CUSTOMER DRAWING | NAME: RIGHT ANGLE HEADER W/GUIDES ASSEMBLY MULTI-BEAM XL<br>SIZE: A1<br>CAGE CODE: 100779<br>DRAWING NO: 6450120<br>RESTRICTED TO: -<br>SCALE: 4:1<br>SHEET: 24 OF 24<br>REV: M2 |
|-----------------------|-----------------------------------------------------------------------------------------------------------------------------|---------------------------------------------------------------------------------------------------------------------------------------------------------------------------------|----------------------------------------------------------------------------------------------------------------------------------------------------------------------------------|

4805 (3/11)





Компания «ЭлектроПласт» предлагает заключение долгосрочных отношений при поставках импортных электронных компонентов на взаимовыгодных условиях!

Наши преимущества:

- Оперативные поставки широкого спектра электронных компонентов отечественного и импортного производства напрямую от производителей и с крупнейших мировых складов;
- Поставка более 17-ти миллионов наименований электронных компонентов;
- Поставка сложных, дефицитных, либо снятых с производства позиций;
- Оперативные сроки поставки под заказ (от 5 рабочих дней);
- Экспресс доставка в любую точку России;
- Техническая поддержка проекта, помощь в подборе аналогов, поставка прототипов;
- Система менеджмента качества сертифицирована по Международному стандарту ISO 9001;
- Лицензия ФСБ на осуществление работ с использованием сведений, составляющих государственную тайну;
- Поставка специализированных компонентов (Xilinx, Altera, Analog Devices, Intersil, Interpoint, Microsemi, Aeroflex, Peregrine, Syfer, Eurofarad, Texas Instrument, Miteq, Cobham, E2V, MA-COM, Hittite, Mini-Circuits, General Dynamics и др.);

Помимо этого, одним из направлений компании «ЭлектроПласт» является направление «Источники питания». Мы предлагаем Вам помощь Конструкторского отдела:

- Подбор оптимального решения, техническое обоснование при выборе компонента;
- Подбор аналогов;
- Консультации по применению компонента;
- Поставка образцов и прототипов;
- Техническая поддержка проекта;
- Защита от снятия компонента с производства.



#### Как с нами связаться

**Телефон:** 8 (812) 309 58 32 (многоканальный)

**Факс:** 8 (812) 320-02-42

**Электронная почта:** [org@eplast1.ru](mailto:org@eplast1.ru)

**Адрес:** 198099, г. Санкт-Петербург, ул. Калинина, дом 2, корпус 4, литера А.