



# Improved, 8-Channel/Dual 4-Channel, CMOS Analog Multiplexers

DG408/DG409

## General Description

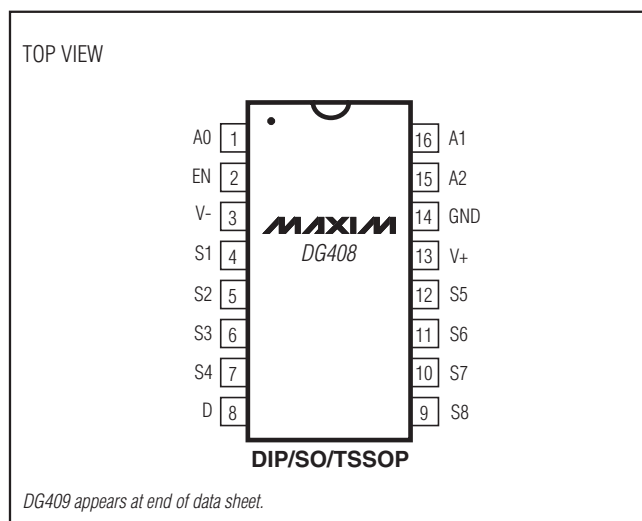
Maxim's redesigned DG408 and DG409 CMOS analog multiplexers now feature guaranteed matching between channels (8Ω max) and flatness over the specified signal range (9Ω max). These low on-resistance muxes (100Ω max) conduct equally well in either direction and feature guaranteed low charge injection (15pC max). In addition, these new muxes offer low input off-leakage current over temperature—less than 5nA at +85°C.

The DG408 is a 1-of-8 multiplexer/demultiplexer and the DG409 is a dual 4-channel multiplexer/demultiplexer. Both muxes operate with a +5V to +30V single supply and with ±5V to ±20V dual supplies. ESD protection is guaranteed to be greater than 2000V per Method 3015.7 of MIL-STD-883. These improved muxes are pin-compatible plug-in upgrades for the industry standard DG408 and DG409.

## Applications

- Sample-and-Hold Circuits
- Test Equipment
- Guidance and Control Systems
- Communications Systems
- Data-Acquisition Systems
- Audio Signal Routing

## Pin Configurations



## Features

- ◆ Pin-Compatible Plug-In Upgrades for Industry Standard DG408/DG409
- ◆ Guaranteed Matching Between Channels, 8Ω Max
- ◆ Guaranteed On-Resistance Flatness, 9Ω Max
- ◆ Guaranteed Low Charge Injection, 15pC Max
- ◆ Low On-Resistance, 100Ω Max
- ◆ Input Leakage, 5nA Max at +85°C
- ◆ Low Power Consumption, 1.25mW Max
- ◆ Rail-to-Rail Signal Handling
- ◆ Digital Input Controls TTL/CMOS Compatible
- ◆ ESD Protection >2000V per Method 3015.7

## Ordering Information

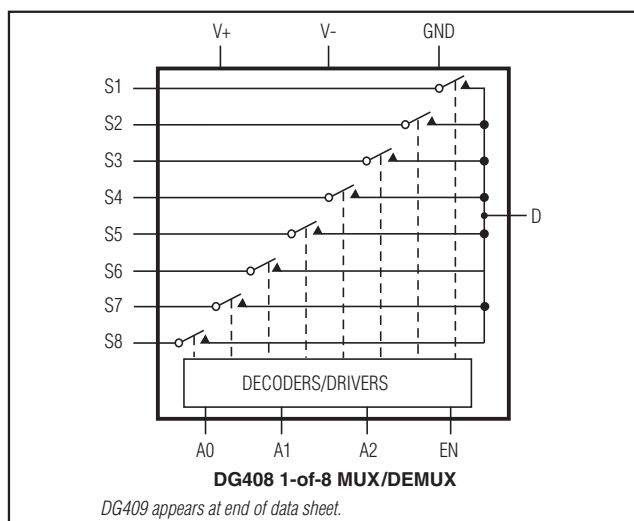
PART	TEMP RANGE	PIN-PACKAGE
DG408CUE	0°C to +70°C	16 TSSOP
DG408CJ	0°C to +70°C	16 Plastic DIP
DG408CY	0°C to +70°C	16 Narrow SO
DG408C/D	0°C to +70°C	Dice*
DG408EUE	0°C to +70°C	16 TSSOP
DG408DJ	-40°C to +85°C	16 Plastic DIP
DG408DY	-40°C to +85°C	16 Narrow SO

*Ordering Information continued at end of data sheet.*

*\*Contact factory for dice specifications.*

*\*\*Contact factory for availability and processing to MIL-STD-883.*

## Functional Diagrams



# Improved, 8-Channel/Dual 4-Channel, CMOS Analog Multiplexers

## ABSOLUTE MAXIMUM RATINGS

Voltage Referenced to V-		Plastic DIP (derate 10.53mW/°C above +70°C) .....842mW
V+ .....	-0.3V, 44V	Narrow SO (derate 8.70mW/°C above +70°C) .....696mW
GND .....	-0.3V, 25V	CERDIP (derate 10.00mW/°C above +70°C) .....800mW
Digital Inputs, S, D (Note 1).....	(V- - 2V) to (V+ + 2V) or 30mA, (whichever occurs first)	Operating Temperature Ranges
Continuous Current (any terminal) .....	30mA	DG408/DG409C_ .....0°C to +70°C
Peak Current, S, D (pulsed at 1ms, 10% duty cycle max) .....	100mA	DG408/DG409D,E_ .....-40°C to +85°C
Continuous Power Dissipation (T <sub>A</sub> = +70°C)		DG408/DG409AK .....-55°C to +125°C
TSSOP (derate 9.4mW/°C above +70°C) .....	755mW	Storage Temperature Range .....-65°C to +150°C
		Lead Temperature (soldering, 10sec) .....+300°C

**Note 1:** Signals on S<sub>-</sub>, D<sub>-</sub>, EN, A0, A1, or A2 exceeding V<sub>+</sub> or V<sub>-</sub> are clamped by internal diodes. Limit forward current to maximum current ratings.

Stresses beyond those listed under "Absolute Maximum Ratings" may cause permanent damage to the device. These are stress ratings only, and functional operation of the device at these or any other conditions beyond those indicated in the operational sections of the specifications is not implied. Exposure to absolute maximum rating conditions for extended periods may affect device reliability.

## ELECTRICAL CHARACTERISTICS—Dual Supplies

(V<sub>+</sub> = 15V, V<sub>-</sub> = -15V, GND = 0V, V<sub>AH</sub> = +2.4V, V<sub>AL</sub> = +0.8V, T<sub>A</sub> = T<sub>MIN</sub> to T<sub>MAX</sub>, unless otherwise noted.)

PARAMETER	SYMBOL	CONDITIONS		MIN	TYP (Note 2)	MAX	UNITS		
<b>SWITCH</b>									
Analog Signal Range	V <sub>ANALOG</sub>	(Note 3)		-15		15	V		
Drain-Source On-Resistance	r <sub>DS(ON)</sub>	I <sub>S</sub> = -1.0mA, V <sub>D</sub> = ±10V	T <sub>A</sub> = +25°C	60	100		Ω		
			T <sub>A</sub> = T <sub>MIN</sub> to T <sub>MAX</sub>			125			
On-Resistance Matching Between Channels	Δr <sub>DS(ON)</sub>	I <sub>S</sub> = -1.0mA, V <sub>D</sub> = ±10V (Note 4)	T <sub>A</sub> = +25°C	1.5	8		Ω		
			T <sub>A</sub> = T <sub>MIN</sub> to T <sub>MAX</sub>			10			
On-Resistance Flatness	r <sub>FLAT</sub>	I <sub>S</sub> = -1.0mA, V <sub>D</sub> = ±5V or 0V	T <sub>A</sub> = +25°C	1.8	9		Ω		
			T <sub>A</sub> = T <sub>MIN</sub> to T <sub>MAX</sub>			12			
Source-Off Leakage Current (Note 5)	I <sub>S(OFF)</sub>	V <sub>D</sub> = +10V, V <sub>S</sub> = ±10V, V <sub>EN</sub> = 0V	T <sub>A</sub> = +25°C	-0.5	0.01	0.5	nA		
			T <sub>A</sub> = T <sub>MIN</sub> to T <sub>MAX</sub>	C, D	-5	5		A	-50
Drain-Off Leakage Current (Note 5)	I <sub>D(OFF)</sub>	V <sub>D</sub> = ±10V, V <sub>S</sub> = +10V, V <sub>EN</sub> = 0V	DG408	T <sub>A</sub> = +25°C	-1	0.02	1	nA	
				T <sub>A</sub> = T <sub>MIN</sub> to T <sub>MAX</sub>	C, D	-10	10		A
		V <sub>D</sub> = +10V, V <sub>S</sub> = ±10V, V <sub>EN</sub> = 0V	DG409	T <sub>A</sub> = +25°C	-1	0.02	1		
				T <sub>A</sub> = T <sub>MIN</sub> to T <sub>MAX</sub>	C, D	-5	5		A
Drain-On Leakage Current (Note 5)	I <sub>D(ON)</sub>	V <sub>D</sub> = ±10V, V <sub>S</sub> = ±10V, sequence each switch on	DG408	T <sub>A</sub> = +25°C	-1	0.02	1	nA	
				T <sub>A</sub> = T <sub>MIN</sub> to T <sub>MAX</sub>	C, D	-20	20		A
		DG409	T <sub>A</sub> = +25°C	-1	0.02	1			
			T <sub>A</sub> = T <sub>MIN</sub> to T <sub>MAX</sub>	C, D	-10	10	A		-50

# Improved, 8-Channel/Dual 4-Channel, CMOS Analog Multiplexers

DG408/DG409

## ELECTRICAL CHARACTERISTICS—Dual Supplies (continued)

(V<sub>+</sub> = 15V, V<sub>-</sub> = -15V, GND = 0V, V<sub>AH</sub> = +2.4V, V<sub>AL</sub> = +0.8V, T<sub>A</sub> = T<sub>MIN</sub> to T<sub>MAX</sub>, unless otherwise noted.)

PARAMETER	SYMBOL	CONDITIONS		MIN	TYP (Note 2)	MAX	UNITS	
<b>INPUT</b>								
Input Current with Input Voltage High	I <sub>AH</sub>	V <sub>A</sub> = 2.4V or 15V		-1.0		1.0	μA	
Input Current with Input Voltage Low	I <sub>AL</sub>	V <sub>EN</sub> = 0V or 2.4V, V <sub>A</sub> = 0V		-1.0		1.0	μA	
<b>SUPPLY</b>								
Power-Supply Range				±5		±20	V	
Positive Supply Current	I <sub>+</sub>	V <sub>EN</sub> = V <sub>A</sub> = 0V or 4.5V	T <sub>A</sub> = +25°C		16	30	μA	
			T <sub>A</sub> = T <sub>MIN</sub> to T <sub>MAX</sub>			75		
		V <sub>EN</sub> = 2.4V, V <sub>A(ALL)</sub> = 0V or 2.4V	T <sub>A</sub> = +25°C		0.075	0.5	mA	
			T <sub>A</sub> = T <sub>MIN</sub> to T <sub>MAX</sub>			2		
Negative Supply Current	I <sub>-</sub>	V <sub>EN</sub> = 2.4V, V <sub>A(ALL)</sub> = 0V or 2.4V	T <sub>A</sub> = +25°C		-1	1	μA	
			T <sub>A</sub> = T <sub>MIN</sub> to T <sub>MAX</sub>			-10		10
<b>DYNAMIC</b>								
Transition Time	t <sub>TRANS</sub>	Figure 2	T <sub>A</sub> = +25°C		85	175	ns	
			T <sub>A</sub> = T <sub>MIN</sub> to T <sub>MAX</sub>			250		
Break-Before-Make Interval	t <sub>OPEN</sub>	Figure 4	T <sub>A</sub> = +25°C		10	40	ns	
Enable Turn-On Time	t <sub>ON(EN)</sub>	Figure 3	T <sub>A</sub> = +25°C			85	150	ns
			T <sub>A</sub> = T <sub>MIN</sub> to T <sub>MAX</sub>				225	
Enable Turn-Off Time	t <sub>OFF(EN)</sub>	Figure 3	T <sub>A</sub> = +25°C				150	ns
			T <sub>A</sub> = T <sub>MIN</sub> to T <sub>MAX</sub>				300	
Charge Injection (Note 3)	Q	C <sub>L</sub> = 1.0nF, V <sub>S</sub> = 0V, R <sub>S</sub> = 0Ω, Figure 5	T <sub>A</sub> = +25°C		2	15	pC	
Off Isolation (Note 6)	V <sub>ISO</sub>	V <sub>EN</sub> = 0V, R <sub>L</sub> = 1kΩ, f = 100kHz, Figure 6	T <sub>A</sub> = +25°C		-75		dB	
Crosstalk Between Input Channels	V <sub>CT</sub>	V <sub>EN</sub> = 2.4V, f = 100kHz, V <sub>GEN</sub> = 1V <sub>P-P</sub> , R <sub>L</sub> = 1kΩ, Figure 7	T <sub>A</sub> = +25°C		-92		dB	
Logic Input Capacitance	C <sub>IN</sub>	f = 1MHz	T <sub>A</sub> = +25°C		8		pF	
Source-Off Capacitance	C <sub>S(OFF)</sub>	f = 1MHz, V <sub>EN</sub> = V <sub>S</sub> = 0V, Figure 8	T <sub>A</sub> = +25°C		3		pF	
Drain-Off Capacitance	C <sub>D(OFF)</sub>	f = 1MHz, V <sub>EN</sub> = 0.8V, V <sub>D</sub> = 0V, Figure 8	DG408	T <sub>A</sub> = +25°C		26	pF	
			DG409			14		
Drain-On Capacitance	C <sub>D(ON)</sub> + C <sub>S(ON)</sub>	f = 1MHz, V <sub>EN</sub> = 2.4V, V <sub>D</sub> = 0V, Figure 8	DG408	T <sub>A</sub> = +25°C		37	pF	
			DG409			25		

# Improved, 8-Channel/Dual 4-Channel, CMOS Analog Multiplexers

## ELECTRICAL CHARACTERISTICS—Single Supply

(V+ = 12V, V- = 0V, GND = 0V, VAH = +2.4V, VAL = +0.8V, TA = TMIN to TMAX, unless otherwise noted.)

PARAMETER	SYMBOL	CONDITIONS		MIN	TYP (Note 2)	MAX	UNITS
<b>SWITCH</b>							
Analog Signal Range	VANALOG	(Note 3)		0		12	V
Drain-Source On-Resistance	rDS(ON)	IS = -1.0mA VD = 3V or 10V	TA = +25°C		120	175	Ω
<b>DYNAMIC</b>							
Transition Time (Note 3)	tTRANS	VS1 = 8V, VS8 = 0V, VA = 0V, Figure 2	TA = +25°C		115	450	ns
Enable Turn-On Time (Note 3)	tON(EN)	VAL = 0V, VS1 = 5V, Figure 3	TA = +25°C		100	600	ns
Enable Turn-Off Time (Note 3)	tOFF(EN)	VAL = 0V, VS1 = 5V, Figure 3	TA = +25°C		75	300	ns
Charge Injection	Q	CL = 1.0nF, VS = 0V, RS = 0Ω	TA = +25°C		2		pC

**Note 2:** The algebraic convention where the most negative value is a minimum and the most positive value a maximum is used in this data sheet.

**Note 3:** Guaranteed by design.

**Note 4:**  $\Delta R_{ON} = R_{ON(MAX)} - R_{ON(MIN)}$ . On-resistance match between channels and flatness are guaranteed only with specified voltages. Flatness is defined as the difference between the maximum and minimum value of on-resistance as measured at the extremes of the specified analog signal range.

**Note 5:** Leakage parameters are 100% tested at the maximum rated hot temperature and guaranteed by correlation at +25°C.

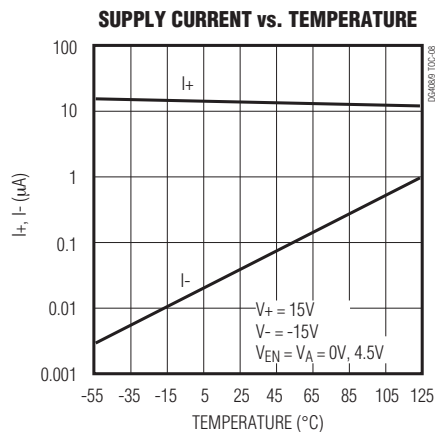
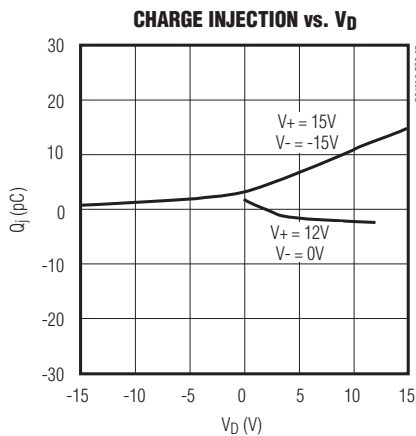
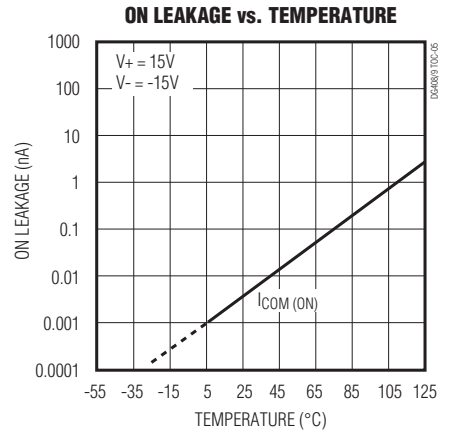
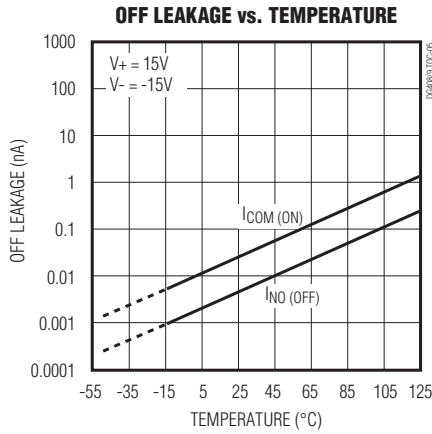
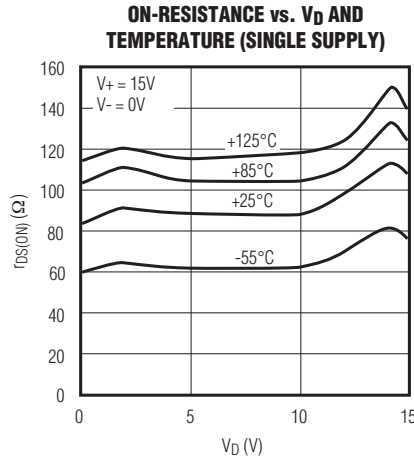
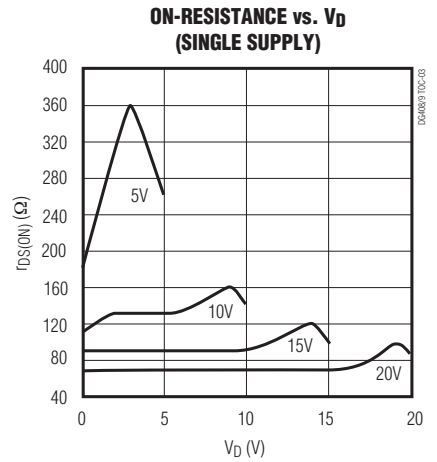
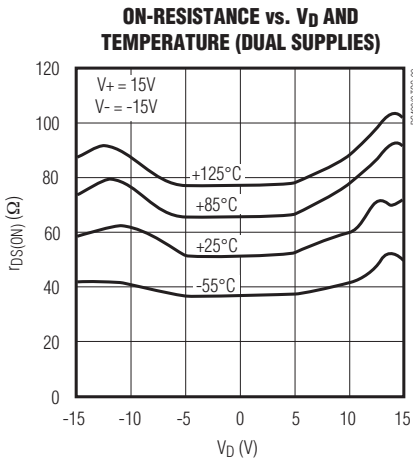
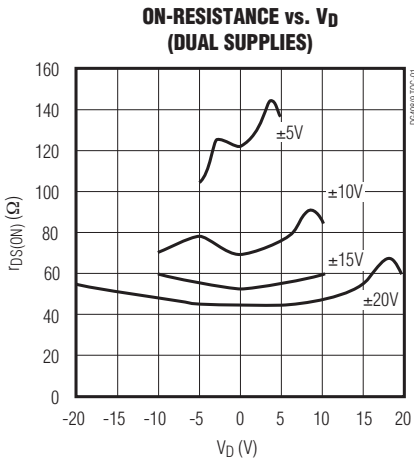
**Note 6:** Off isolation =  $20 \log V_D/V_S$ , where  $V_D$  = output and  $V_S$  = input to off switch.

# Improved, 8-Channel/Dual 4-Channel, CMOS Analog Multiplexers

## Typical Operating Characteristics

( $T_A = +25^\circ\text{C}$ , unless otherwise noted.)

DG408/DG409



# Improved, 8-Channel/Dual 4-Channel, CMOS Analog Multiplexers

## Pin Description

PIN		NAME	FUNCTION
DG408	DG409		
1, 15, 16	—	A0, A2, A1	Address Inputs
—	1, 16	A0, A1	Address Inputs
2	2	EN	Enable Input
3	3	V-	Negative Supply Voltage Input
4-7	—	S1-S4	Bidirectional Analog Inputs
—	4-7	S1A-S4A	Bidirectional Analog Inputs
8	—	D	Bidirectional Analog Output
—	8, 9	DA, DB	Bidirectional Analog Outputs
9-12	—	S8-S5	Bidirectional Analog Inputs
—	10-13	S4B-S1B	Bidirectional Analog Inputs
13	14	V+	Positive Supply Voltage Input
14	15	GND	Ground

## Applications Information

### Operation with Supply Voltages Other than 15V

Using supply voltages less than  $\pm 15V$  reduces the analog signal range. The DG408/DG409 switches operate with  $\pm 5V$  to  $\pm 20V$  bipolar supplies or with a  $+5V$  to  $+40V$  single supply. Connect V- to GND when operating with a single supply. Both device types can also operate with unbalanced supplies, such as  $+24V$  and  $-5V$ . The *Typical Operating Characteristics* graphs show typical on-resistance with 20V, 15V, 10V, and 5V supplies. (Switching times increase by a factor of two or more for operation at 5V.)

### Overvoltage Protection

Proper power-supply sequencing is recommended for all CMOS devices. Do not exceed the absolute maximum ratings, because stresses beyond the listed ratings may cause permanent damage to the devices. Always sequence V+ on first, then V-, followed by the logic inputs, S or D. If power-supply sequencing is not possible, add two small signal diodes in series with supply pins for overvoltage protection (Figure 1). Adding diodes reduces the analog signal range to 1V below V+ and 1V above V-, but does not affect the devices' low switch resistance and low leakage characteristics. Device operation is unchanged, and the difference between V+ and V- should not exceed +44V.

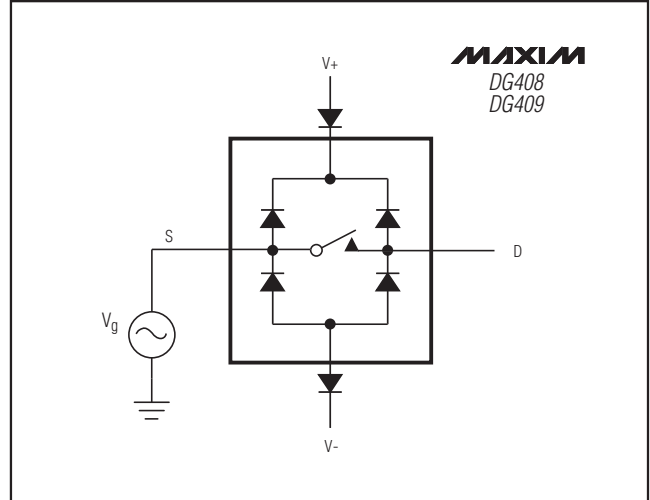


Figure 1. Overvoltage Protection Using External Blocking Diodes

# Improved, 8-Channel/Dual 4-Channel, CMOS Analog Multiplexers

## Test Circuits/Timing Diagrams

DG408/DG409

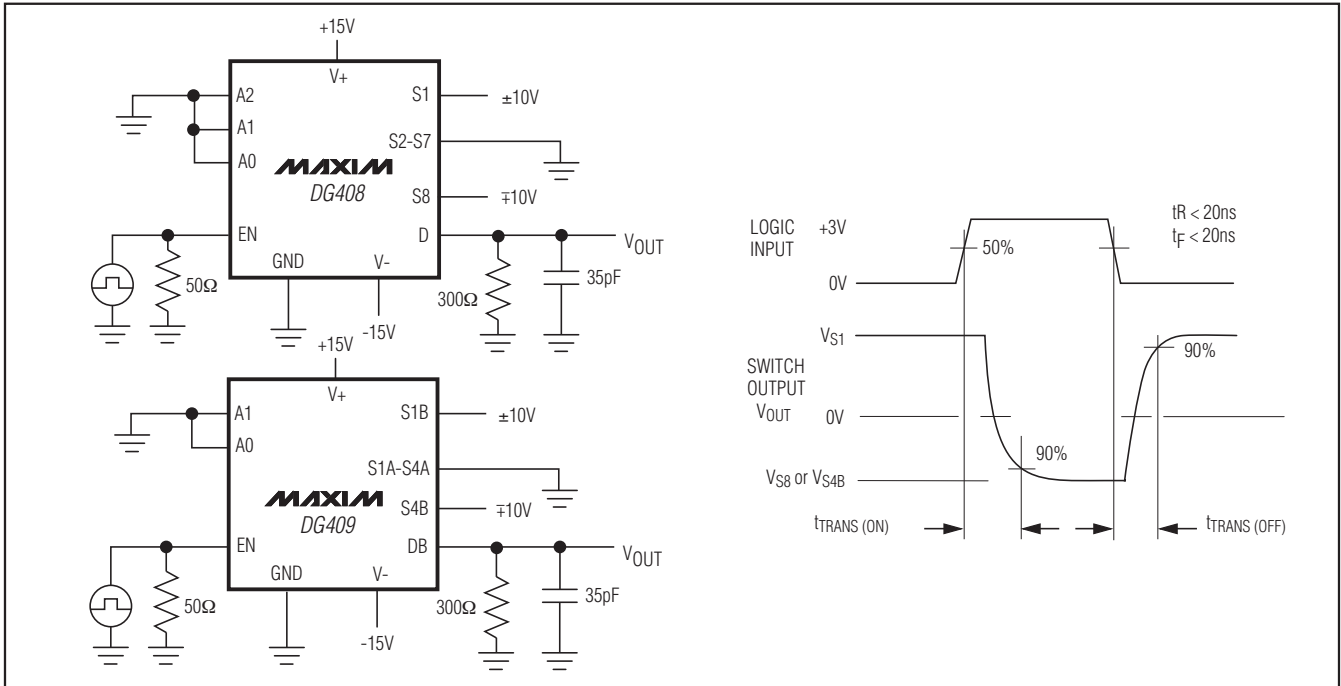


Figure 2. Transition Time

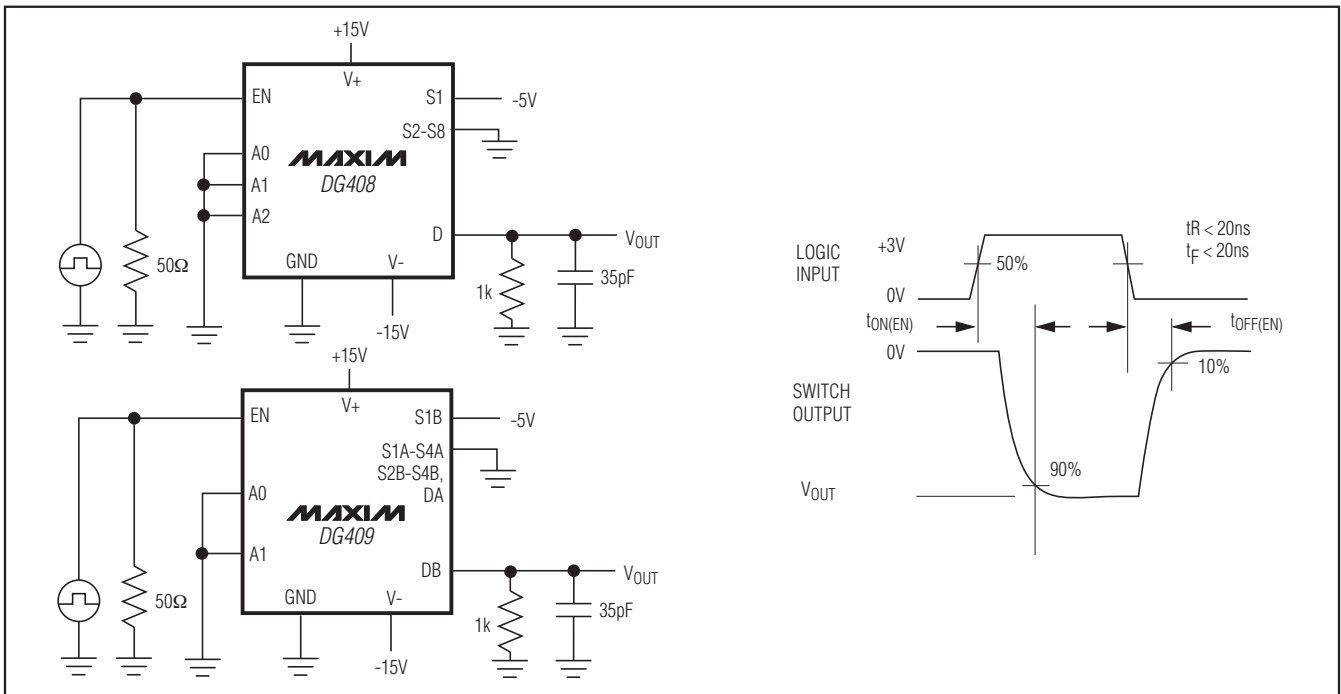


Figure 3. Enable Switching Time

# Improved, 8-Channel/Dual 4-Channel, CMOS Analog Multiplexers

## Test Circuits/Timing Diagrams (continued)

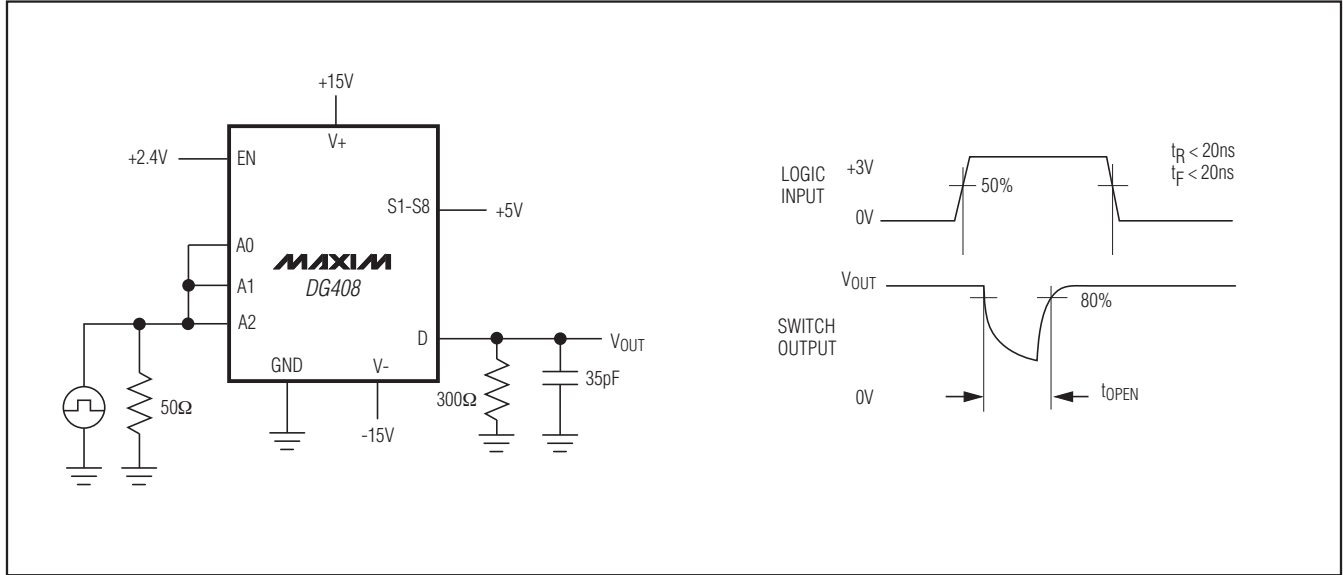


Figure 4. Break-Before-Make Interval

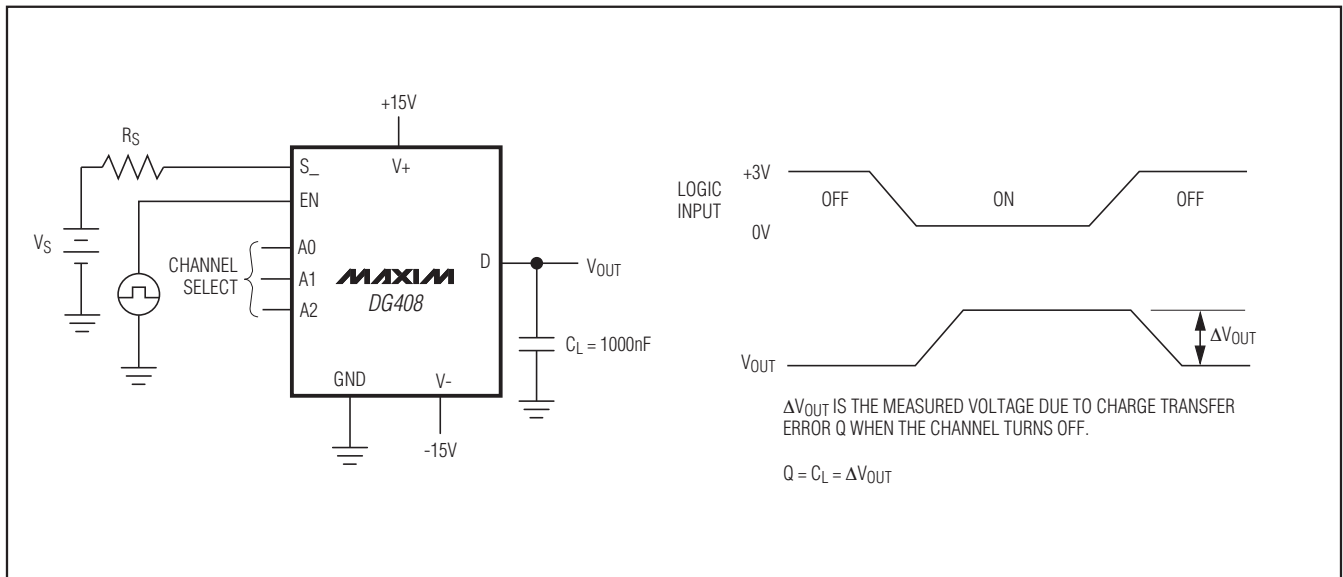


Figure 5. Charge Injection



# Improved, 8-Channel/Dual 4-Channel, CMOS Analog Multiplexers

## Test Circuits/Timing Diagrams (continued)

DG408/DG409

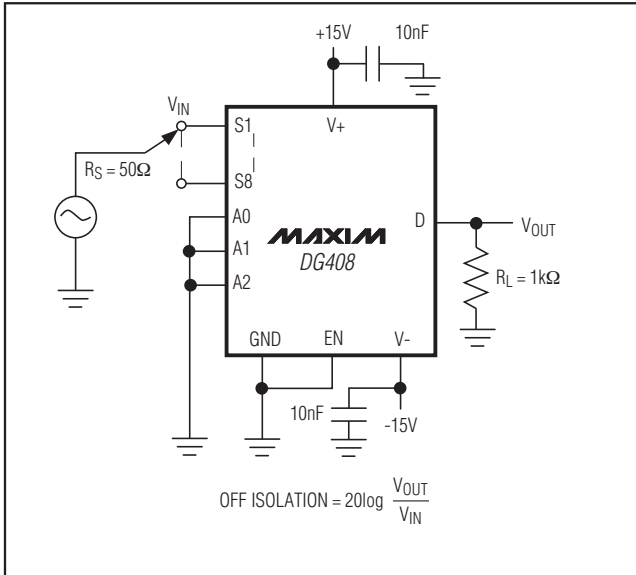


Figure 6. Off Isolation

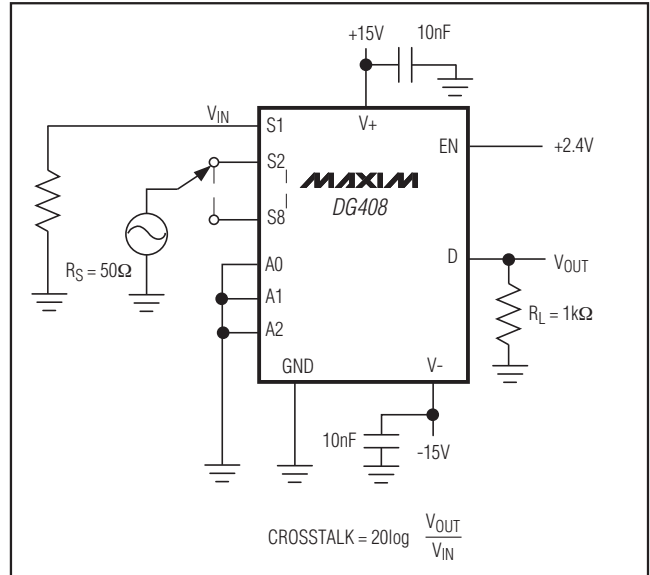


Figure 7. Crosstalk

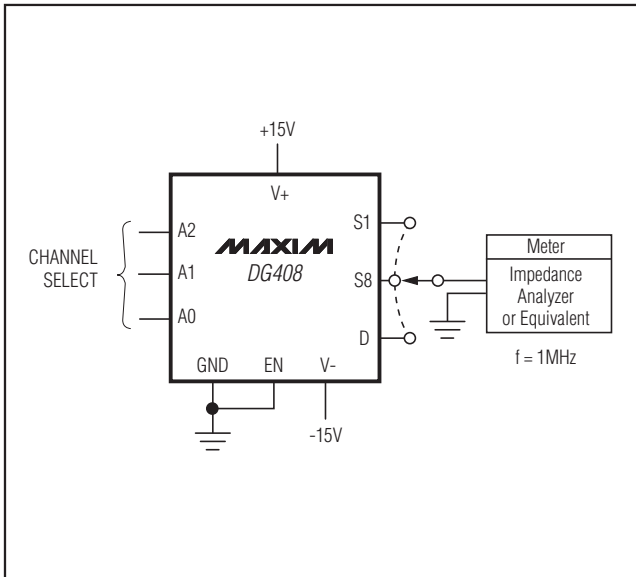
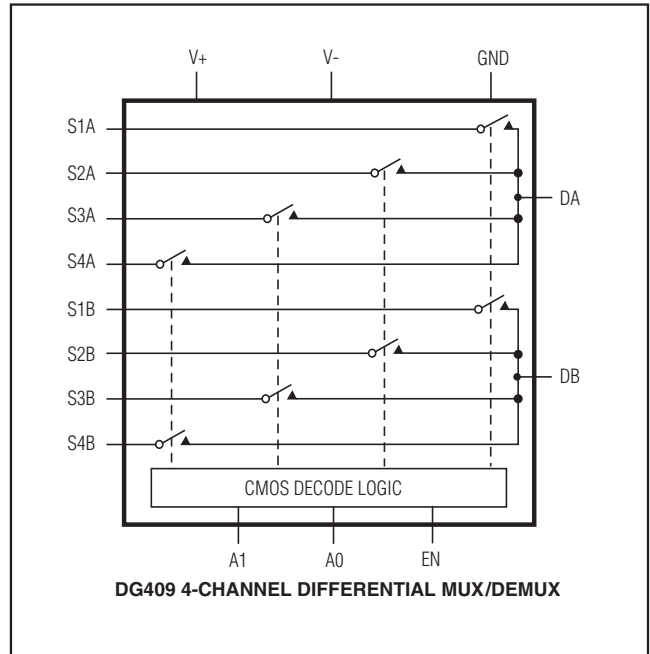
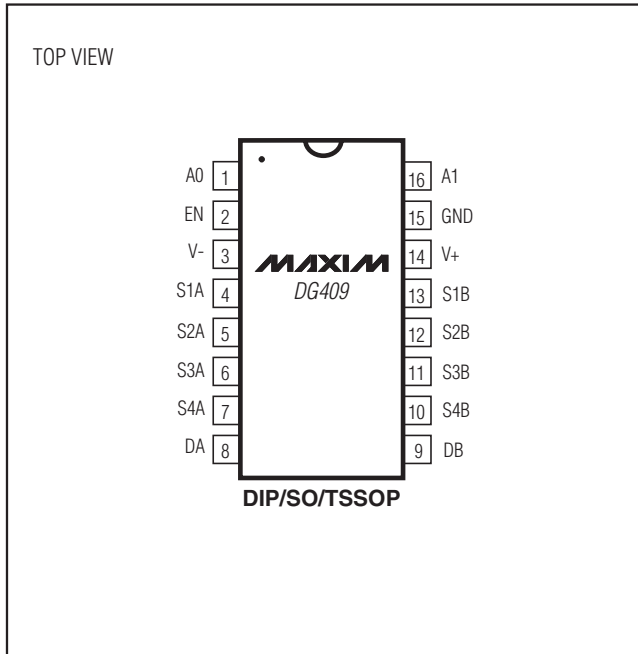


Figure 8. Source/Drain Capacitance

# Improved, 8-Channel/Dual 4-Channel, CMOS Analog Multiplexers

## Pin Configurations/Functional Diagrams/Truth Tables (continued)



A2	A1	A0	EN	ON SWITCH
X	X	X	0	None
0	0	0	1	1
0	0	1	1	2
0	1	0	1	3
0	1	1	1	4
1	0	0	1	5
1	0	1	1	6
1	1	0	1	7
1	1	1	1	8

DG408

LOGIC "0"  $V_{AL} \leq 0.8V$ , LOGIC "1"  $V_{AH} \geq 2.4V$

A1	A0	EN	ON SWITCH
X	X	0	None
0	0	1	1
0	1	1	2
1	0	1	3
1	1	1	4

DG409

LOGIC "0"  $V_{AL} \leq 0.8V$ , LOGIC "1"  $V_{AH} \geq 2.4V$

# Improved, 8-Channel/Dual 4-Channel, CMOS Analog Multiplexers

DG408/DG409

## Ordering Information (continued)

PART	TEMP RANGE	PIN-PACKAGE
DG408DK	-40°C to +85°C	16 CERDIP
DG408AK	-55°C to +125°C	16 CERDIP**
DG408MY/PR	-55°C to +125°C	16 SO***
DG408MY/PR-T	-55°C to +125°C	16 SO***
<b>DG409CUE</b>	0°C to +70°C	16 TSSOP
DG409CJ	0°C to +70°C	16 Plastic DIP
DG409CY	0°C to +70°C	16 Narrow SO
DG409C/D	0°C to +70°C	Dice*
DG409EUE	-40°C to +85°C	16 TSSOP
DG409DJ	-40°C to +85°C	16 Plastic DIP
DG409DK	-40°C to +85°C	16 CERDIP
DG409AK	-55°C to +125°C	12 CERDIP**
DG409MY/PR	-55°C to +125°C	16 SO***
DG409MY/PR-T	-55°C to +125°C	16 SO***

\*Contact factory for dice specifications.

\*\*Contact factory for availability and processing to MIL-STD-883.

## Package Information

For the latest package outline information and land patterns, go to [www.maxim-ic.com/packages](http://www.maxim-ic.com/packages).

PACKAGE TYPE	PACKAGE CODE	DOCUMENT NO.
16 TSSOP	U16-1	<a href="#">21-0066</a>
16 Plastic DIP	P16-2	<a href="#">21-0043</a>
16 Narrow SO	S16-5	<a href="#">21-0041</a>
16 SO	S16-5	<a href="#">21-0041</a>
16 CERDIP	J16-3	<a href="#">21-0590</a>

# **Improved, 8-Channel/Dual 4-Channel, High-Performance, CMOS Analog Multiplexers**

## **Revision History**

<b>REVISION NUMBER</b>	<b>REVISION DATE</b>	<b>DESCRIPTION</b>	<b>PAGES CHANGED</b>
3	8/02	Changed operating voltage and TSSOP packaging	—
4	9/08	Added rugged plastic information	1, 11

Maxim cannot assume responsibility for use of any circuitry other than circuitry entirely embodied in a Maxim product. No circuit patent licenses are implied. Maxim reserves the right to change the circuitry and specifications without notice at any time.

12 \_\_\_\_\_ **Maxim Integrated Products, 120 San Gabriel Drive, Sunnyvale, CA 94086 408-737-7600**



Компания «ЭлектроПласт» предлагает заключение долгосрочных отношений при поставках импортных электронных компонентов на взаимовыгодных условиях!

Наши преимущества:

- Оперативные поставки широкого спектра электронных компонентов отечественного и импортного производства напрямую от производителей и с крупнейших мировых складов;
- Поставка более 17-ти миллионов наименований электронных компонентов;
- Поставка сложных, дефицитных, либо снятых с производства позиций;
- Оперативные сроки поставки под заказ (от 5 рабочих дней);
- Экспресс доставка в любую точку России;
- Техническая поддержка проекта, помощь в подборе аналогов, поставка прототипов;
- Система менеджмента качества сертифицирована по Международному стандарту ISO 9001;
- Лицензия ФСБ на осуществление работ с использованием сведений, составляющих государственную тайну;
- Поставка специализированных компонентов (Xilinx, Altera, Analog Devices, Intersil, Interpoint, Microsemi, Aeroflex, Peregrine, Syfer, Eurofarad, Texas Instrument, Miteq, Cobham, E2V, MA-COM, Hittite, Mini-Circuits, General Dynamics и др.);

Помимо этого, одним из направлений компании «ЭлектроПласт» является направление «Источники питания». Мы предлагаем Вам помощь Конструкторского отдела:

- Подбор оптимального решения, техническое обоснование при выборе компонента;
- Подбор аналогов;
- Консультации по применению компонента;
- Поставка образцов и прототипов;
- Техническая поддержка проекта;
- Защита от снятия компонента с производства.



#### Как с нами связаться

**Телефон:** 8 (812) 309 58 32 (многоканальный)

**Факс:** 8 (812) 320-02-42

**Электронная почта:** [org@eplast1.ru](mailto:org@eplast1.ru)

**Адрес:** 198099, г. Санкт-Петербург, ул. Калинина, дом 2, корпус 4, литера А.