



SERIES: V78E-500-SMT | **DESCRIPTION:** NON-ISOLATED DC SWITCHING REGULATOR

FEATURES

- 500 mA of output current
- efficiency up to 95%
- SMT package
- industrial operating temp -40~+85°C
- designed to meet IEC/EN 62368-1
- industry standard footprint
- no load input current of 0.2 mA
- output short circuit protection on output

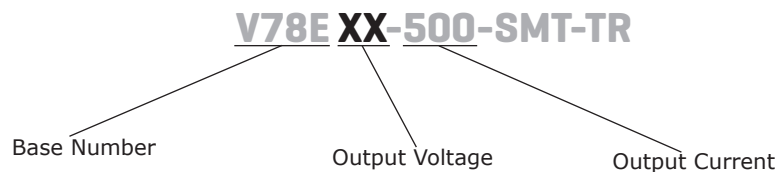


MODEL

| MODEL | input voltage ¹ | | output voltage | output current | output power | ripple & noise ² | efficiency ³ |
|----------------|----------------------------|-------------|----------------|----------------|--------------|-----------------------------|-------------------------|
| | typ (Vdc) | range (Vdc) | (Vdc) | max (mA) | max (W) | max (mVp-p) | typ (%) |
| V78E01-500-SMT | 12 | 4.75~28 | 1.5 | 500 | 0.75 | 50 | 76 |
| V78E02-500-SMT | 12 | 4.75~32 | 2.5 | 500 | 1.25 | 50 | 81 |
| V78E03-500-SMT | 24 | 4.75~36 | 3.3 | 500 | 1.65 | 50 | 86 |
| V78E05-500-SMT | 24 | 6.5~36 | 5 | 500 | 2.5 | 50 | 90 |
| V78E06-500-SMT | 24 | 8~36 | 6.5 | 500 | 3.25 | 50 | 92 |
| V78E09-500-SMT | 24 | 12~36 | 9 | 500 | 4.5 | 50 | 93 |
| V78E12-500-SMT | 24 | 15~36 | 12 | 500 | 6 | 50 | 94 |
| V78E15-500-SMT | 24 | 19~36 | 15 | 500 | 7.5 | 50 | 95 |

- Notes:
1. For input voltages higher than 30 Vdc, a 22 μ F / 50 V input capacitor is required.
 2. Tested at nominal input, 20 MHz bandwidth, with 10 μ F electrolytic and 1 μ F ceramic capacitor on the output. For 1.5~3.3 Vdc output models, tested at 20~100% load. For all other models, tested at 10~100% load. At loads below 20% for 1.5~3.3 Vdc output models, the max ripple and noise will be 100 mVp-p. At loads below 10% for all other models, the max ripple and noise will be 150 mVp-p.
 3. Measured at min V_{in} , full load.
 4. All specifications are measured at $T_a=25^\circ\text{C}$, humidity < 75%, nominal input voltage, and rated output load unless otherwise specified.

PART NUMBER KEY



INPUT

| parameter | conditions/description | min | typ | max | units |
|--------------------------------------|---|------|------|-----|-------|
| operating input voltage ⁵ | | 4.75 | | 36 | Vdc |
| filter | capacitor filter | | | | |
| input reverse polarity protection | no | | | | |
| no-load input current | | | 0.2 | 1.5 | mA |
| remote on/off ⁶ | turn on (3.2~8 Vdc or open circuit) turn off (<0.8 Vdc) input current when switched off | | 0.03 | 0.1 | mA |

Note: 5. See Model section on page 1 for specific input voltage ranges.

6. The voltage of remote ON/OFF pin is relative to GND pin.

OUTPUT

| parameter | conditions/description | min | typ | max | units |
|--------------------------------------|--|-----|------------|------------|------------|
| maximum capacitive load ⁷ | | | | 680 | μF |
| voltage accuracy | at full load, input voltage range 1.5, 2.5, 3.3 Vdc output models all other models | | ±2 ±2 | ±4 ±3 | % % |
| line regulation | at full load, input voltage range | | ±0.2 | ±0.4 | % |
| load regulation | at 10~100 % load, input voltage range 1.5, 2.5 Vdc output models all other models | | | ±1 ±0.6 | % % |
| voltage adjustment | input voltage range | | ±10 | | %Vo |
| switching frequency | at full load, input voltage range 1.5 Vdc output model all other models | | 370 700 | | kHz kHz |
| transient recovery time | at nominal input voltage, 25% load step change | | 0.2 | 1 | ms |
| transient response deviation | at nominal input voltage, 25% load step change | | 50 | 200 | mV |
| temperature coefficient | operating temperature -40 °C to +85 °C | | | ±0.03 | %/°C |

Note: 7. The maximum capacitive load was tested at nominal input voltage, full load.

PROTECTIONS

| parameter | conditions/description | min | typ | max | units |
|--------------------------|---------------------------|-----|-----|-----|-------|
| short circuit protection | continuous, auto recovery | | | | |

SAFETY AND COMPLIANCE

| parameter | conditions/description | min | typ | max | units |
|---------------------|---|-----------|-----|-----|-------|
| safety approvals | CE | | | | |
| conducted emissions | CISPR32/EN55032, class B (external circuit required, see Figure 3-b) | | | | |
| radiated emissions | CISPR32/EN55032, class B (external circuit required, see Figure 3-b) | | | | |
| ESD | IEC/EN61000-4-2, contact ± 4kV, class B | | | | |
| radiated immunity | IEC/EN61000-4-3, 10V/m, class A | | | | |
| EFT/burst | IEC/EN61000-4-4, ± 1kV, class B (external circuit required, see Figure 3-a) | | | | |
| surge | IEC/EN61000-4-5, line-line ± 1kV, class B (external circuit required, see Figure 3-a) | | | | |
| conducted immunity | IEC/EN61000-4-6, 3 Vr.m.s, class A | | | | |
| MTBF | as per MIL-HDBK-217F, 25°C | 2,000,000 | | | hours |
| RoHS | yes | | | | |

ENVIRONMENTAL

| parameter | conditions/description | min | typ | max | units |
|-----------------------|------------------------|-----|-----|-----|-------|
| operating temperature | see derating curve | -40 | | 85 | °C |
| storage temperature | | -55 | | 125 | °C |
| storage humidity | non-condensing | | | 95 | % |

SOLDERABILITY

| parameter | conditions/description | min | typ | max | units |
|------------------|---|-----|-----|-----|-------|
| reflow soldering | see reflow profile, refer to IPC/JEDEC J-STD-020D.1 | | | 245 | °C |



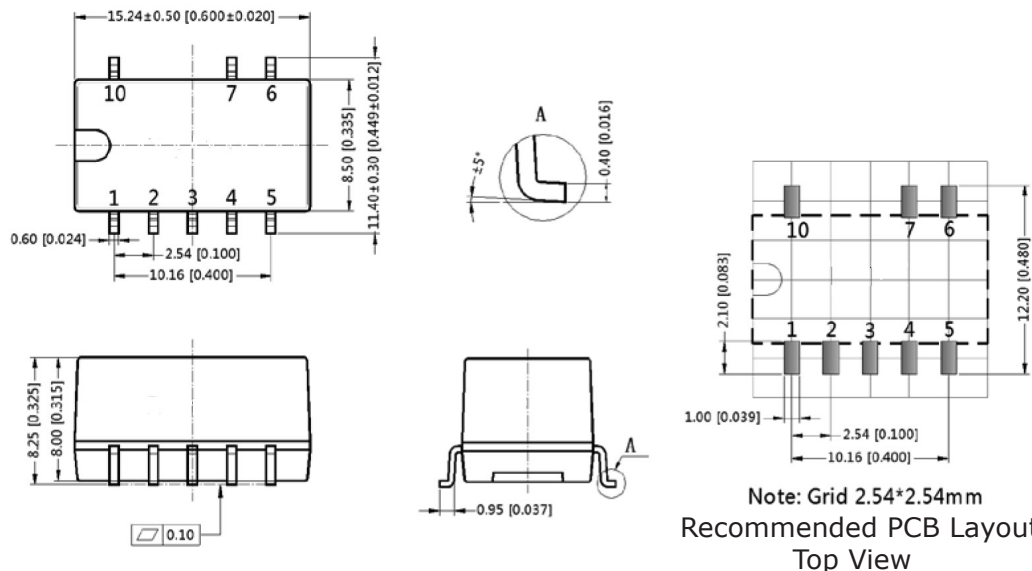
MECHANICAL

| parameter | conditions/description | min | typ | max | units |
|---------------|--|-----|-----|-----|-------|
| dimensions | 15.24 x 8.50 x 8.25 [0.60 x 0.335 x 0.325 inch] | | | | mm |
| case material | black flame-retardant and heat resistant plastic (UL94V-0) | | | | |
| weight | | | 1.5 | | g |

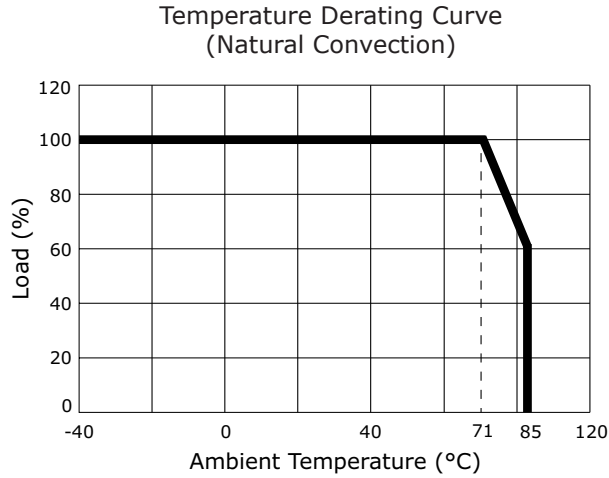
MECHANICAL DRAWING

units: mm [inch]
 tolerance: ±0.50[±0.020]
 pin section tolerance: ±0.10[±0.004]

| PIN CONNECTIONS | |
|-----------------|---------------|
| PIN | FUNCTION |
| 1 | +VIN |
| 2 | +VIN |
| 3 | GND |
| 4 | +VOUT |
| 5 | +VOUT |
| 6 | V adj |
| 7 | GND |
| 10 | remote on/off |

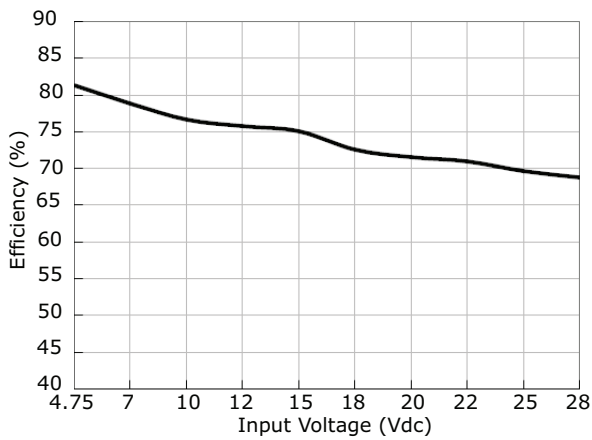


DERATING CURVE

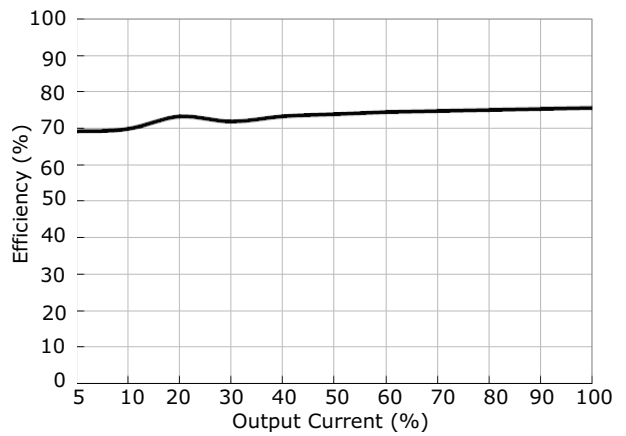


EFFICIENCY CURVES

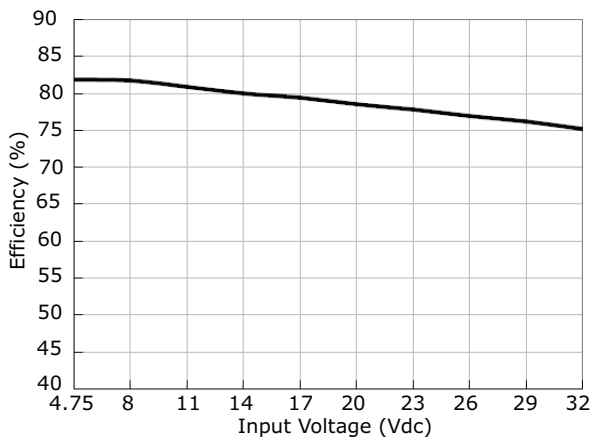
V78E01-500-SMT Efficiency Curve
Efficiency vs. Input Voltage
(at full load)



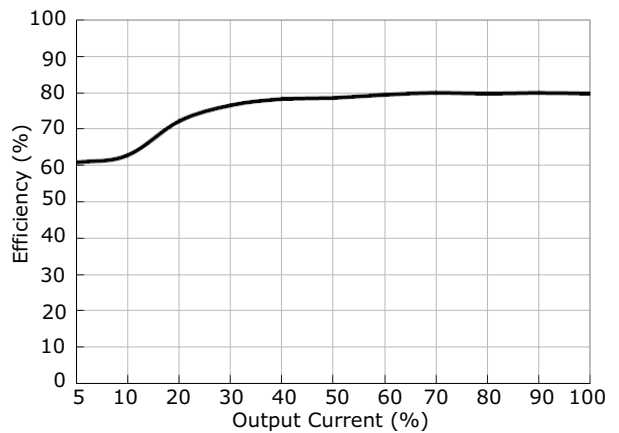
V78E01-500-SMT Efficiency Curve
Efficiency vs. Load Current
(at Vin nominal)



V78E02-500-SMT Efficiency Curve
Efficiency vs. Input Voltage
(at full load)

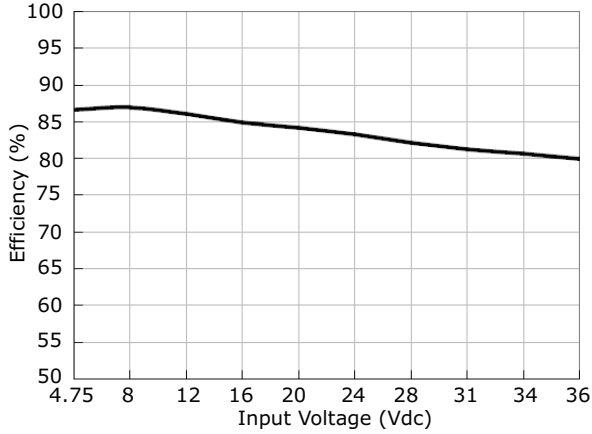


V78E02-500-SMT Efficiency Curve
Efficiency vs. Load Current
(at Vin nominal)

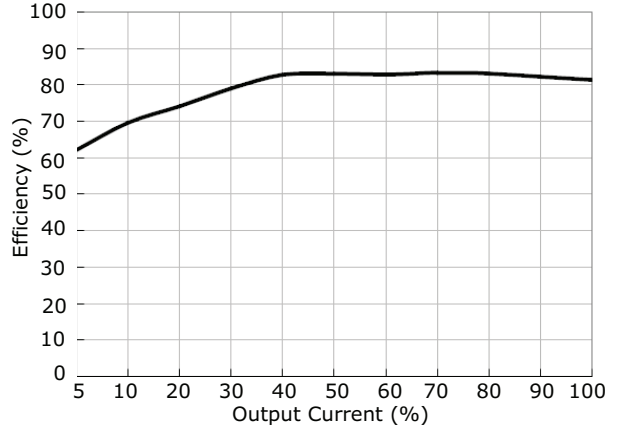


EFFICIENCY CURVES (CONTINUED)

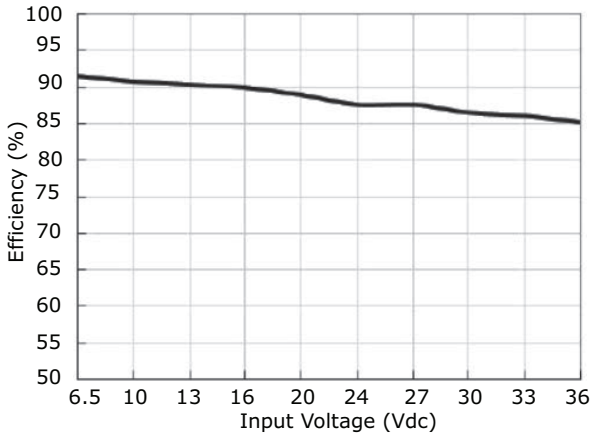
V78E03-500-SMT Efficiency Curve
Efficiency vs. Input Voltage
(at full load)



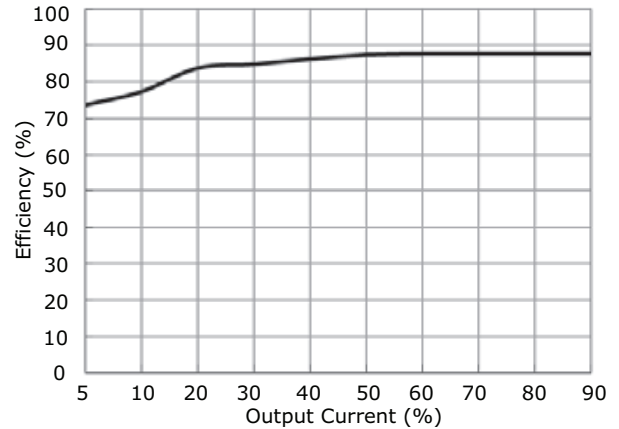
V78E03-500-SMT Efficiency Curve
Efficiency vs. Load Current
(at Vin nominal)



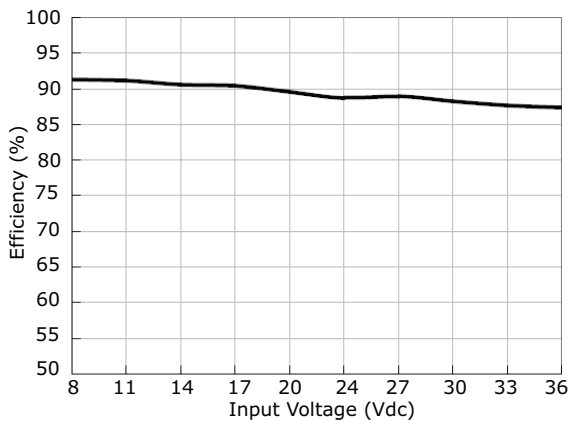
V78E05-500-SMT Efficiency Curve
Efficiency vs. Input Voltage
(at full load)



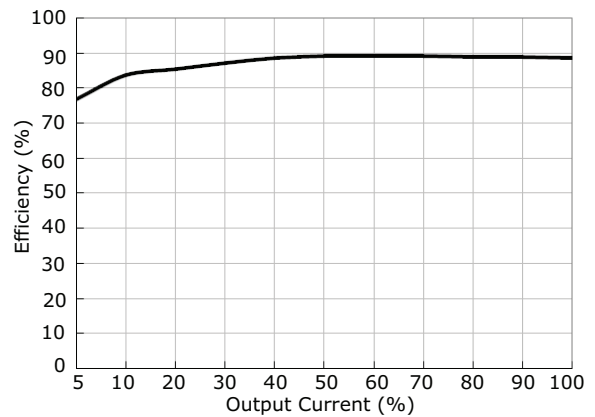
V78E05-500-SMT Efficiency Curve
Efficiency vs. Load Current
(at Vin nominal)



V78E06-500-SMT Efficiency Curve
Efficiency vs. Input Voltage
(at full load)

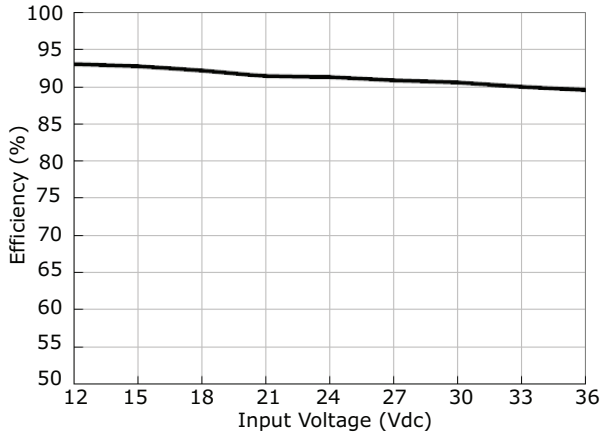


V78E06-500-SMT Efficiency Curve
Efficiency vs. Load Current
(at Vin nominal)

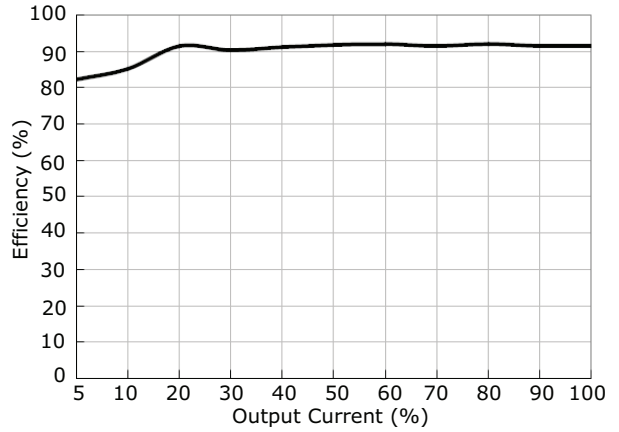


EFFICIENCY CURVES (CONTINUED)

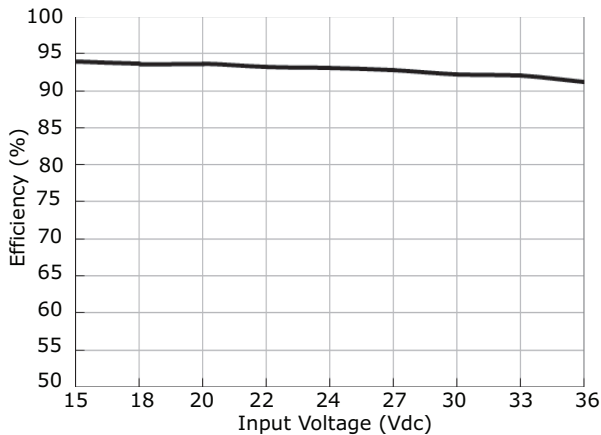
V78E09-500-SMT Efficiency Curve
Efficiency vs. Input Voltage
(at full load)



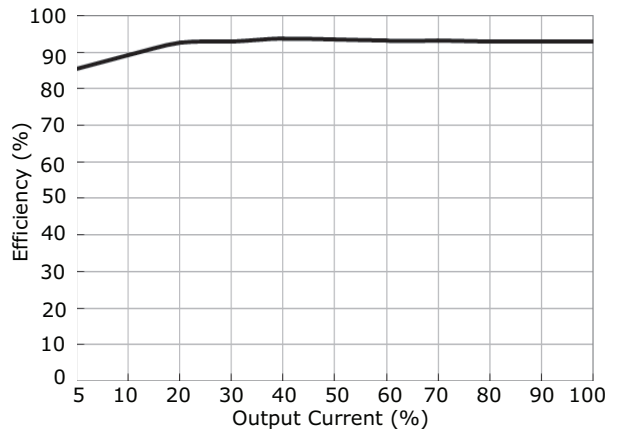
V78E09-500-SMT Efficiency Curve
Efficiency vs. Load Current
(at Vin nominal)



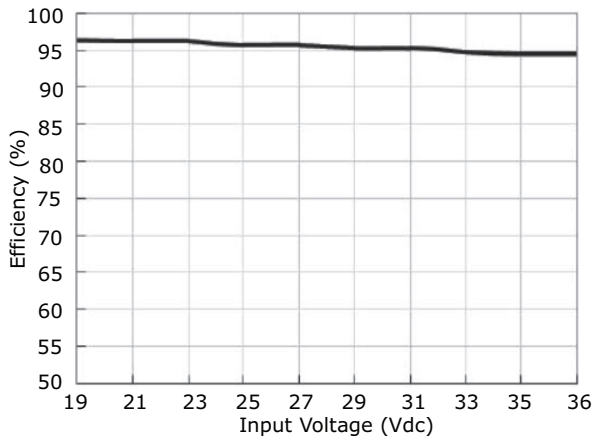
V78E12-500-SMT Efficiency Curve
Efficiency vs. Input Voltage
(at full load)



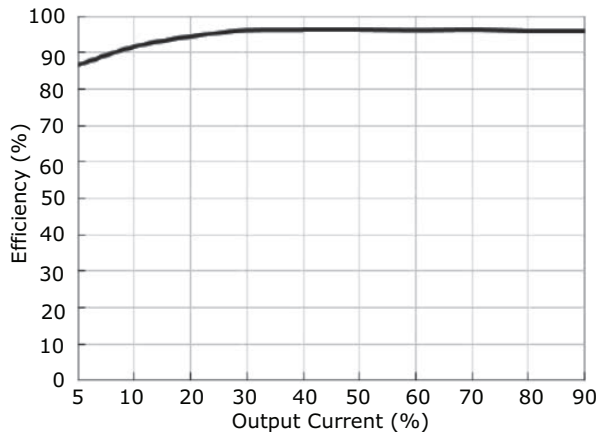
V78E12-500-SMT Efficiency Curve
Efficiency vs. Load Current
(at Vin nominal)



V78E15-500-SMT Efficiency Curve
Efficiency vs. Input Voltage
(at full load)



V78E15-500-SMT Efficiency Curve
Efficiency vs. Load Current
(at Vin nominal)



TYPICAL APPLICATION CIRCUIT

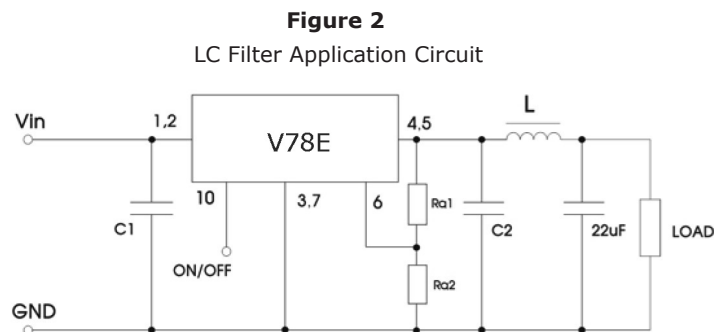
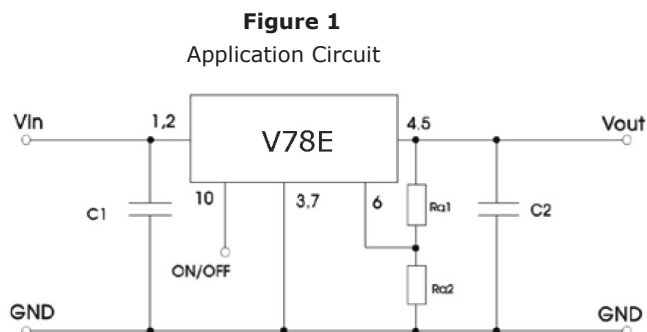


Table 1

| Model Number | C1 (ceramic capacitor) | C2 (ceramic capacitor) | Ra1/Ra2 (Vadj resistance) |
|----------------|---------------------------|---------------------------|--|
| V78E01-500-SMT | 10 μ F/50 V | 22 μ F/10 V | refer to Vadj resistance calculation |
| V78E02-500-SMT | 10 μ F/50 V | 22 μ F/10 V | |
| V78E03-500-SMT | 10 μ F/50 V | 22 μ F/10 V | |
| V78E05-500-SMT | 10 μ F/50 V | 22 μ F/16 V | |
| V78E06-500-SMT | 10 μ F/50 V | 22 μ F/16 V | |
| V78E09-500-SMT | 10 μ F/50 V | 22 μ F/25 V | |
| V78E12-500-SMT | 10 μ F/50 V | 22 μ F/25 V | |
| V78E15-500-SMT | 10 μ F/50 V | 22 μ F/25 V | |

EMC RECOMMENDED CIRCUIT

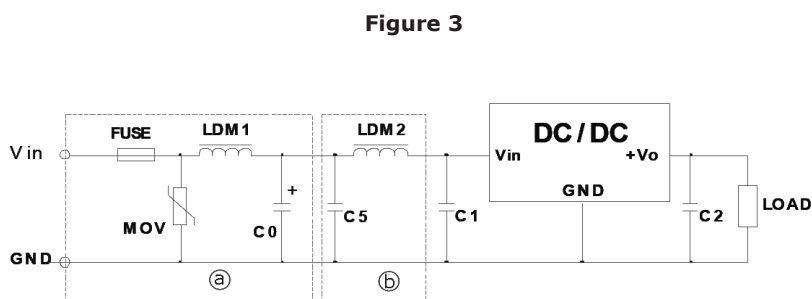


Table 2

| Recommended external circuit components | |
|---|--|
| FUSE | choose according to actual input current |
| MOV | S20K30 |
| LDM1 | 82 μ H |
| C0 | 680 μ F/50 V |
| C1, C2 | refer to table 1 |
| C5 | 4.7 μ F/50 V |
| LDM2 | 12 μ H |

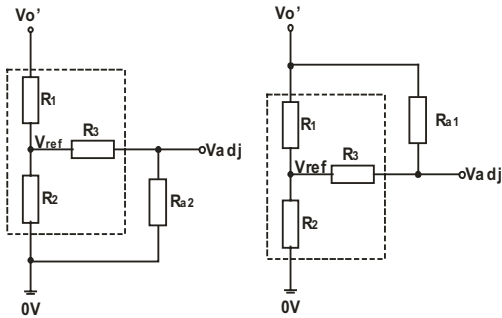
Note: 8. C1 & C2 are required and should be connected as close to the module pins as possible.
 9. C1 & C2 can be increased as needed and the use of tantalum or low ESR electrolytic capacitors would be recommended.
 10. To reduce the output ripple further, it is recommended to add an "LC" filter at the output (see figure 2) with a 10~47 μ H L component.

APPLICATION NOTES

- Output voltage trimming**
Leave open if not used.

Figure 4

Application Circuit for Trim pin
(part in broken line is the interior of models)



Formula for Trim Resistor

$$\text{up: } R_{a2} = \frac{a R_2}{R_2 - a} - R_3 \quad a = \frac{V_{ref}}{V_{o'} - V_{ref}} \cdot R_1$$

$$\text{down: } R_{a1} = \frac{a R_1}{R_1 - a} - R_3 \quad a = \frac{V_{o'} - V_{ref}}{V_{ref}} \cdot R_2$$

Note: Value for R1, R2, R3, and Vref refer to Table 3
Ra1/Ra2: Trim Resistor
a: User-defined parameter, no actual meanings
Vo': The trim up/down voltage

Table 3

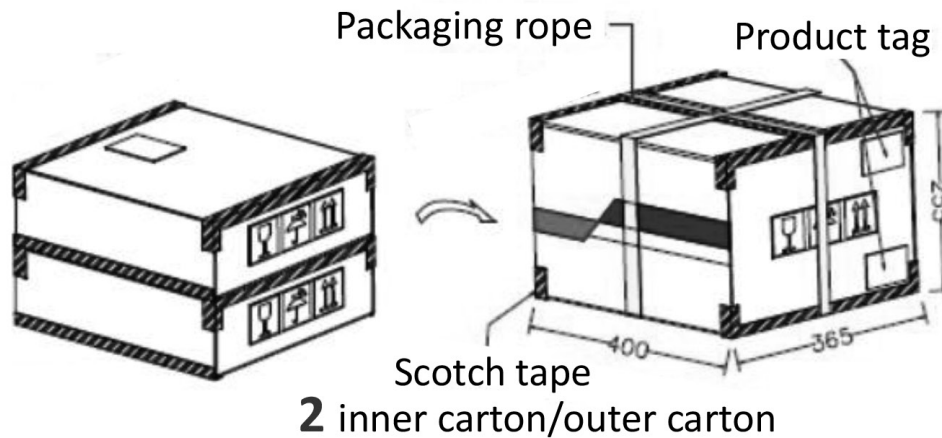
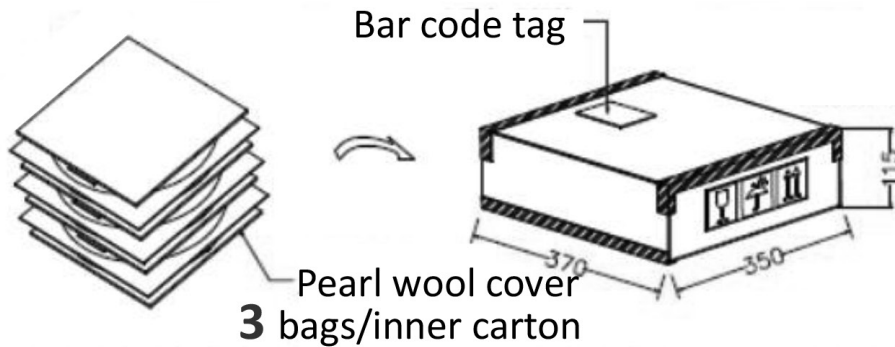
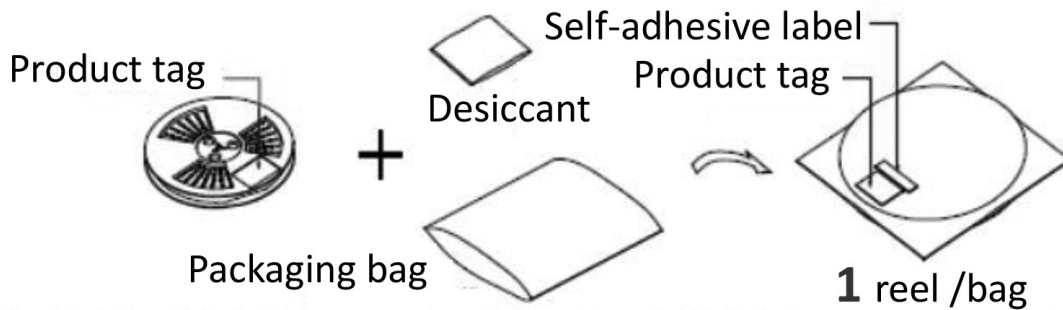
| Vout (Vdc) | R1 (kΩ) | R2 (kΩ) | R3 (kΩ) | Vref (V) |
|-------------------|---------|---------|---------|----------|
| 1.5 ¹¹ | 7.5 | 7.5 | 15 | 0.75 |
| 2.5 | 27 | 11.858 | 51 | 0.765 |
| 3.3 | 33 | 9.9 | 47 | 0.765 |
| 5 | 75 | 13.5 | 75 | 0.765 |
| 6.5 | 75 | 10 | 51 | 0.765 |
| 9 | 51 | 4.7 | 27 | 0.765 |
| 12 | 75 | 5.1 | 27 | 0.765 |
| 15 | 82 | 4.423 | 27 | 0.765 |

Note: 11. The 1.5 Vdc output model can only be adjusted up.

PACKAGING

units: mm

Reel Size: Ø330 mm
 Reel QTY: 300 pcs per tray
 Carton Box Size: 400 x 365 x 255 mm
 Carton Box QTY: 1,800 pcs per carton box



REVISION HISTORY

| rev. | description | date |
|------|-----------------|------------|
| 1.0 | initial release | 09/12/2018 |

The revision history provided is for informational purposes only and is believed to be accurate.



CUI INC[®]

Headquarters
20050 SW 112th Ave.
Tualatin, OR 97062
800.275.4899

Fax 503.612.2383
cui.com
techsupport@cui.com

CUI offers a two (2) year limited warranty. Complete warranty information is listed on our website.

CUI reserves the right to make changes to the product at any time without notice. Information provided by CUI is believed to be accurate and reliable. However, no responsibility is assumed by CUI for its use, nor for any infringements of patents or other rights of third parties which may result from its use.

CUI products are not authorized or warranted for use as critical components in equipment that requires an extremely high level of reliability. A critical component is any component of a life support device or system whose failure to perform can be reasonably expected to cause the failure of the life support device or system, or to affect its safety or effectiveness.



Компания «ЭлектроПласт» предлагает заключение долгосрочных отношений при поставках импортных электронных компонентов на взаимовыгодных условиях!

Наши преимущества:

- Оперативные поставки широкого спектра электронных компонентов отечественного и импортного производства напрямую от производителей и с крупнейших мировых складов;
- Поставка более 17-ти миллионов наименований электронных компонентов;
- Поставка сложных, дефицитных, либо снятых с производства позиций;
- Оперативные сроки поставки под заказ (от 5 рабочих дней);
- Экспресс доставка в любую точку России;
- Техническая поддержка проекта, помощь в подборе аналогов, поставка прототипов;
- Система менеджмента качества сертифицирована по Международному стандарту ISO 9001;
- Лицензия ФСБ на осуществление работ с использованием сведений, составляющих государственную тайну;
- Поставка специализированных компонентов (Xilinx, Altera, Analog Devices, Intersil, Interpoint, Microsemi, Aeroflex, Peregrine, Syfer, Eurofarad, Texas Instrument, Miteq, Cobham, E2V, MA-COM, Hittite, Mini-Circuits, General Dynamics и др.);

Помимо этого, одним из направлений компании «ЭлектроПласт» является направление «Источники питания». Мы предлагаем Вам помощь Конструкторского отдела:

- Подбор оптимального решения, техническое обоснование при выборе компонента;
- Подбор аналогов;
- Консультации по применению компонента;
- Поставка образцов и прототипов;
- Техническая поддержка проекта;
- Защита от снятия компонента с производства.



Как с нами связаться

Телефон: 8 (812) 309 58 32 (многоканальный)

Факс: 8 (812) 320-02-42

Электронная почта: org@eplast1.ru

Адрес: 198099, г. Санкт-Петербург, ул. Калинина, дом 2, корпус 4, литера А.