

Description

AH173 is a single-digital-output Hall-Effect latch sensor with pull-up resistor for high temperature operation. The device includes an on-chip Hall voltage generator for magnetic sensing, an amplifier to amplify Hall voltage, a comparator to provide switching hysteresis for noise rejection, and an output driver with a pull-up resistor (R_{pu}). An internal band-gap regulator provides a temperature compensated supply voltage for internal circuits and allows a wide operating supply range.

When the magnetic flux density (**B**) is larger than operate point (**B_{op}**), output is switched on (OUT pin is pulled low). The output state is held on until a magnetic flux density reversal falls below Br_p. When **B** is less than Br_p, the output is switched off.

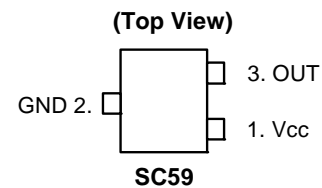
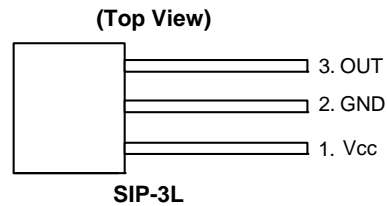
The AH173 is available in SIP-3L and SC59 packages.

Features

- Bipolar Hall-Effect latch sensor
- 3V to 20V DC operating voltage
- Built-in pull-up resistor
- 25mA output sink current
- Operating temperature: -40°C to +125°C
- SIP-3L and SC59 packages (SC59 is commonly known as SOT23 in Asia)
- Green Molding Compound (No Br, Sb) (Note 1)

Notes: 1. EU Directive 2002/95/EC (RoHS). All applicable RoHS exemptions applied. Please visit our website at http://www.diodes.com/products/lead_free.html.

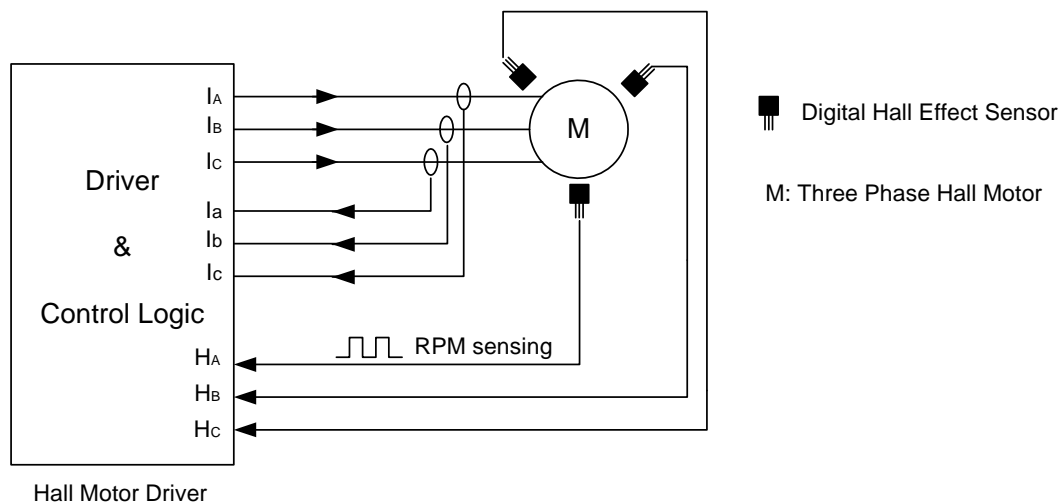
Pin Assignments



Applications

- Rotor Position Sensing
- Current Switch
- Encoder
- RPM Detection

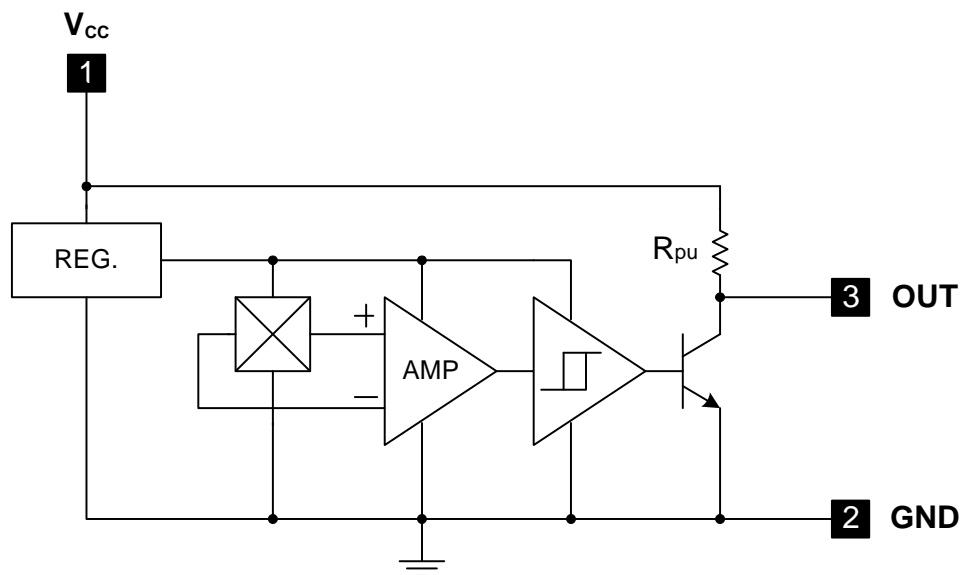
Typical Application Circuit



Pin Descriptions

| Pin Name | Pin # | Description |
|-----------------|-------|-----------------------|
| V _{CC} | 1 | Positive Power Supply |
| GND | 2 | Ground |
| OUT | 3 | Output Stage |

Functional Block Diagram



Absolute Maximum Ratings (T_A = 25°C)

| Symbol | Characteristics | Values | Unit | |
|------------------------|------------------------------|----------|------|----|
| V _{CC} | Supply Voltage | 20 | V | |
| V _{OUT} (off) | Output "Off" Voltage | 20 | V | |
| I _O (sink) | Output "On" Current | 25 | mA | |
| T _S | Storage Temperature Range | -65~+150 | °C | |
| T _J | Maximum Junction Temperature | +150 | °C | |
| P _D | Power Dissipation | SIP-3L | 550 | mW |
| | | SC59 | 230 | mW |

Recommended Operating Conditions

| Symbol | Characteristic | Conditions | Min | Max | Unit |
|-----------------|-------------------------------|------------|-----|-----|------|
| V _{CC} | Supply Voltage | Operating | 3 | 20 | V |
| T _A | Operating Ambient Temperature | Operating | -40 | 125 | °C |

Electrical Characteristics (T_A = 25°C)

| Symbol | Characteristics | Conditions | Min | Typ. | Max | Unit |
|------------------------|---------------------------|--|-----|------|-----|------|
| V _{OUT (SAT)} | Output Saturation Voltage | V _{CC} = 12V, OUT "ON" I _O = 10mA | - | 300 | 400 | mV |
| I _{CC} | Supply Current | V _{CC} = 12V, OUT "OFF" | - | 3.5 | 6 | mA |
| R _{pu} | Internal Pull-up Resistor | | 7 | 10 | 13 | KΩ |
| V _d | Dropout Voltage | V _d = V _{CC} - V _{Ce} | - | - | 0.3 | V |

Magnetic Characteristics (T_A = 25°C, V_{CC} = 12V, unless otherwise specified, Note 2)

(1mT = 10 Gauss)

A grade

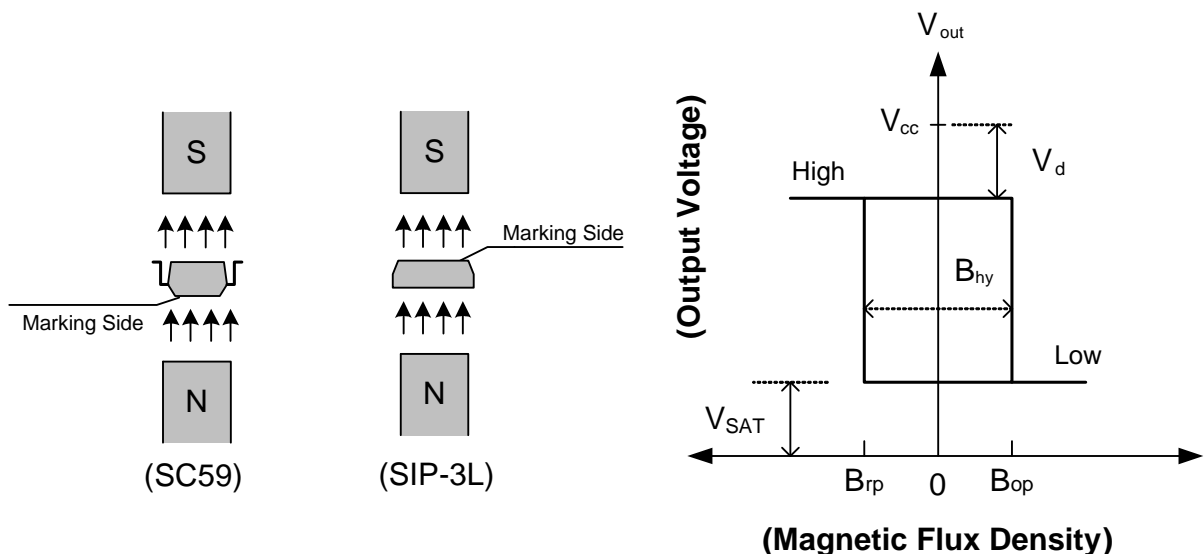
| Symbol | Parameter | Min | Typ. | Max | Unit |
|--|-----------------|-----|------|-----|-------|
| B _{ops} (south pole to brand side) | Operation Point | 15 | - | 60 | Gauss |
| B _{brps} (south pole to brand side) | Release Point | -60 | - | -15 | Gauss |
| B _{hy} (B _{opx} - B _{brpx}) | Hysteresis | - | 80 | - | Gauss |

B grade

| Symbol | Parameter | Min | Typ. | Max | Unit |
|--|-----------------|-----|------|-----|-------|
| B _{ops} (south pole to brand side) | Operation Point | 5 | - | 80 | Gauss |
| B _{brps} (south pole to brand side) | Release Point | -80 | - | -5 | Gauss |
| B _{hy} (B _{opx} - B _{brpx}) | Hysteresis | - | 80 | - | Gauss |

Notes: 2. Magnetic characteristics may vary with supply voltage, operating temperature and after soldering.

Operating Characteristics



Performance Characteristics

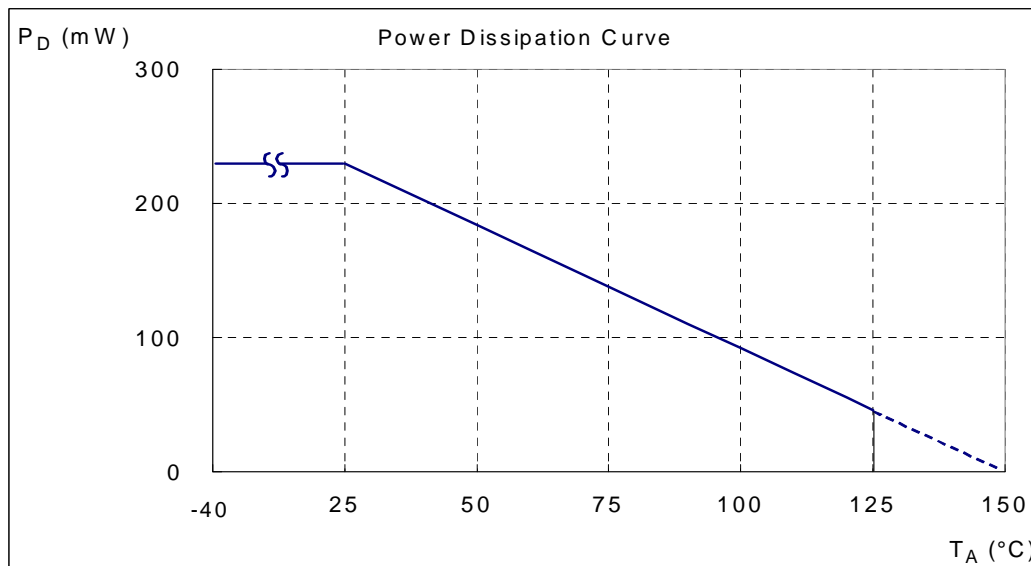
(1) SIP-3L

| | | | | | | | | | |
|------------|-----|-----|-----|-----|-----|-----|-----|-----|-----|
| T_A (°C) | 25 | 50 | 60 | 70 | 80 | 85 | 90 | 95 | 100 |
| P_D (mW) | 550 | 440 | 396 | 352 | 308 | 286 | 264 | 242 | 220 |
| T_A (°C) | 105 | 110 | 115 | 120 | 125 | 130 | 135 | 140 | 150 |
| P_D (mW) | 198 | 176 | 154 | 132 | 110 | 88 | 66 | 44 | 0 |

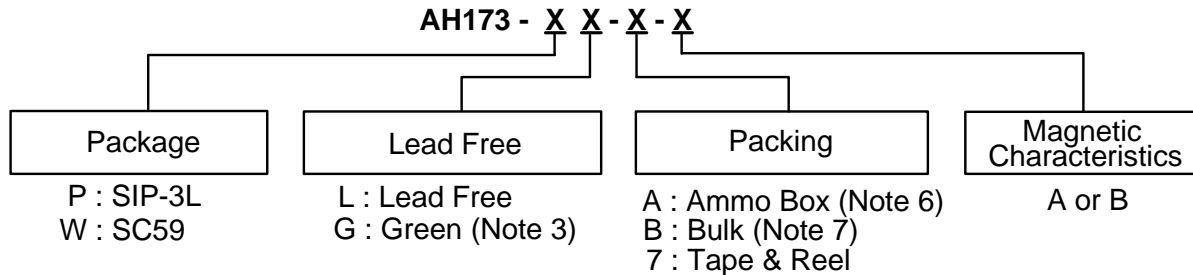


(2) SC59 (commonly known as SOT23 in Asia)

| | | | | | | | | | | | | | |
|------------|-----|-----|-----|-----|-----|-----|-----|-----|-----|-----|-----|-----|-----|
| T_A (°C) | 25 | 50 | 60 | 70 | 80 | 85 | 90 | 100 | 110 | 120 | 130 | 140 | 150 |
| P_D (mW) | 230 | 184 | 166 | 147 | 129 | 120 | 110 | 92 | 74 | 55 | 37 | 18 | 0 |



Ordering Information

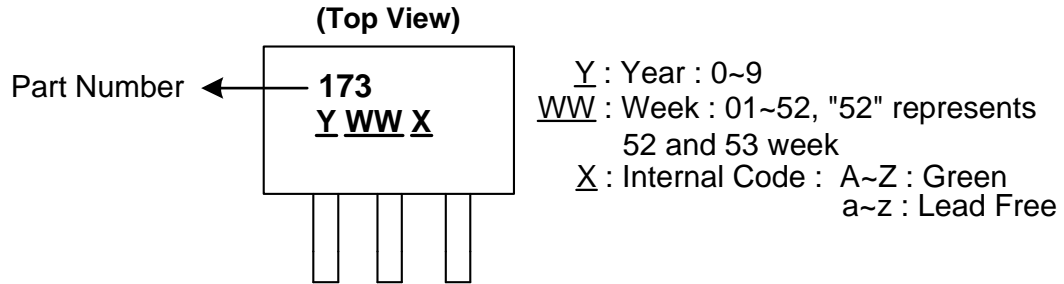


| Device | Package Code | Packaging (Note 4, 5) | Tube/Bulk | | 7" Tape and Reel | | Ammo Box | | Magnetic Characteristics |
|--------------|--------------|-----------------------|-----------|--------------------|------------------|--------------------|----------|--------------------|--------------------------|
| | | | Quantity | Part Number Suffix | Quantity | Part Number Suffix | Quantity | Part Number Suffix | |
| AH173-PL-A-A | P | SIP-3L | NA | NA | NA | NA | 4000/Box | -A | A |
| AH173-PL-A-B | P | SIP-3L | NA | NA | NA | NA | 4000/Box | -A | B |
| AH173-PG-A-A | P | SIP-3L | NA | NA | NA | NA | 4000/Box | -A | A |
| AH173-PG-A-B | P | SIP-3L | NA | NA | NA | NA | 4000/Box | -A | B |
| AH173-PL-B-A | P | SIP-3L | 1000 | -B | NA | NA | NA | NA | A |
| AH173-PL-B-B | P | SIP-3L | 1000 | -B | NA | NA | NA | NA | B |
| AH173-PG-B-A | P | SIP-3L | 1000 | -B | NA | NA | NA | NA | A |
| AH173-PG-B-B | P | SIP-3L | 1000 | -B | NA | NA | NA | NA | B |
| AH173-WL-7-A | W | SC59 | NA | NA | 3000/Tape & Reel | -7 | NA | NA | A |
| AH173-WL-7-B | W | SC59 | NA | NA | 3000/Tape & Reel | -7 | NA | NA | B |
| AH173-WG-7-A | W | SC59 | NA | NA | 3000/Tape & Reel | -7 | NA | NA | A |
| AH173-WG-7-B | W | SC59 | NA | NA | 3000/Tape & Reel | -7 | NA | NA | B |

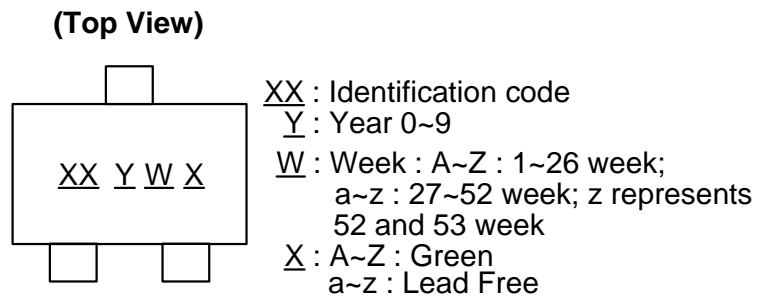
- Notes:
- EU Directive 2002/95/EC (RoHS). All applicable RoHS exemptions applied. Please visit our website at http://www.diodes.com/products/lead_free.html.
 - Pad layout as shown on Diodes Inc. suggested pad layout document AP02001, which can be found on our website at <http://www.diodes.com/datasheets/ap02001.pdf>.
 - Reverse taping as shown on Diodes Inc. Surface Mount (SMD) Packaging document AP02007, which can be found on our website <http://www.diodes.com/datasheets/ap02007.pdf>.
 - Ammo Box is for SIP-3L Spread Lead.
 - Bulk is for SIP-3L Straight Lead.

Marking Information

(1) SIP-3L



(2) SC59 (Commonly known as SOT23 in Asia)



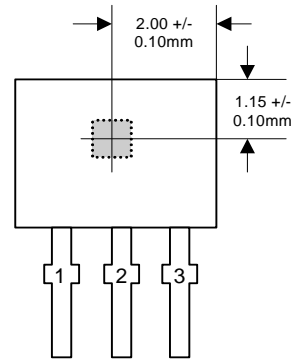
| Part Number | Package | Identification Code |
|-------------|---------|---------------------|
| AH173 | SC59 | J3 |

Package Outline Dimensions (All Dimensions in mm)

(1) Package Type: SIP-3L for Bulk pack

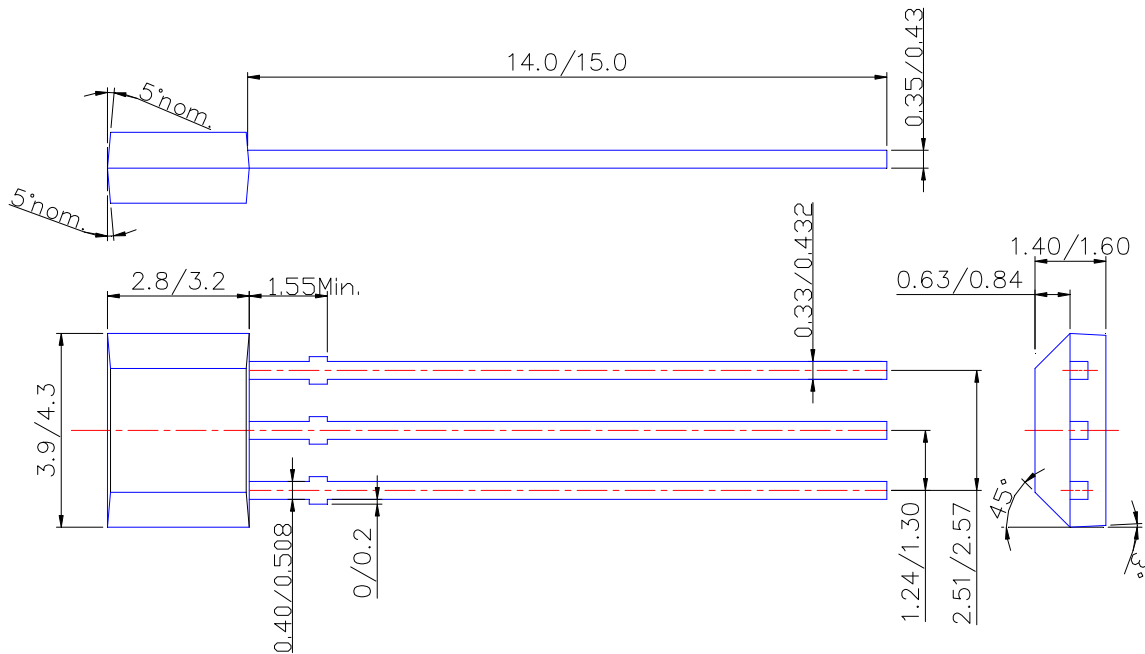


Active Area Depth



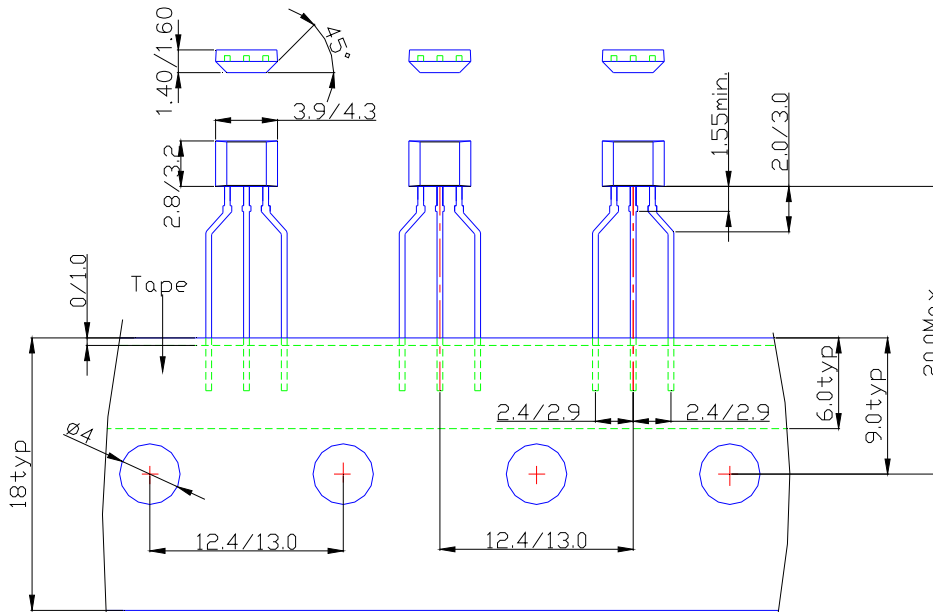
Sensor Location

Package Dimension

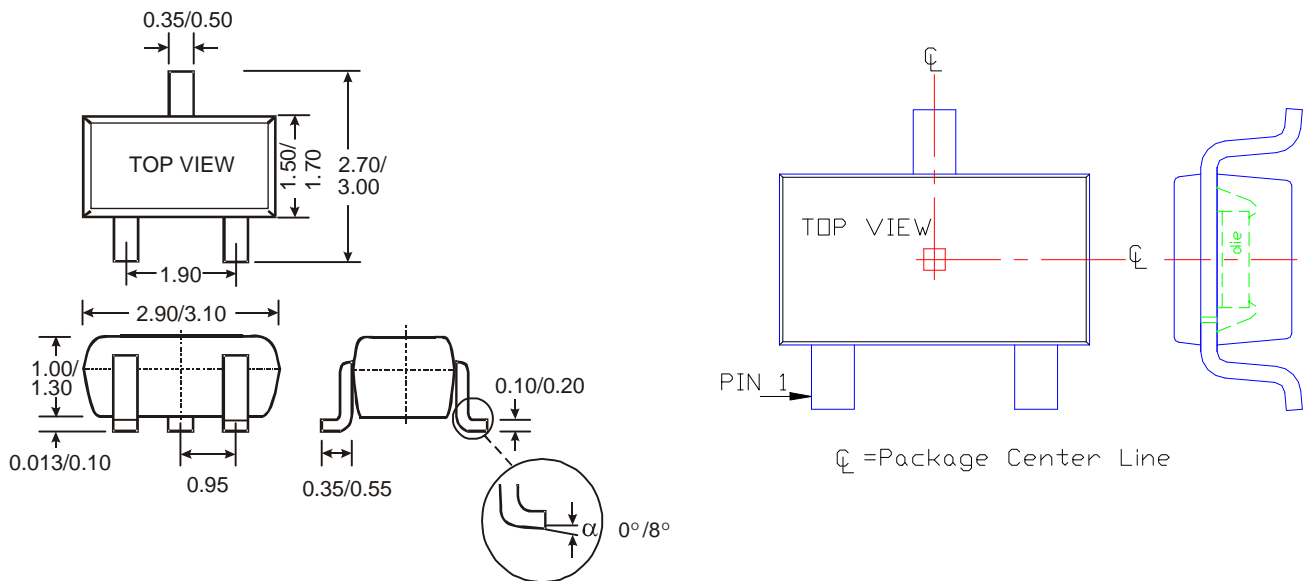


Package Outline Dimensions (Continued)

(2) Package Type: SIP-3L for Ammo pack



(3) SC59 (Commonly known as SOT23 in Asia)



IMPORTANT NOTICE

DIODES INCORPORATED MAKES NO WARRANTY OF ANY KIND, EXPRESS OR IMPLIED, WITH REGARDS TO THIS DOCUMENT, INCLUDING, BUT NOT LIMITED TO, THE IMPLIED WARRANTIES OF MERCHANTABILITY AND FITNESS FOR A PARTICULAR PURPOSE (AND THEIR EQUIVALENTS UNDER THE LAWS OF ANY JURISDICTION).

Diodes Incorporated and its subsidiaries reserve the right to make modifications, enhancements, improvements, corrections or other changes without further notice to this document and any product described herein. Diodes Incorporated does not assume any liability arising out of the application or use of this document or any product described herein; neither does Diodes Incorporated convey any license under its patent or trademark rights, nor the rights of others. Any Customer or user of this document or products described herein in such applications shall assume all risks of such use and will agree to hold Diodes Incorporated and all the companies whose products are represented on Diodes Incorporated website, harmless against all damages.

Diodes Incorporated does not warrant or accept any liability whatsoever in respect of any products purchased through unauthorized sales channel.

Should Customers purchase or use Diodes Incorporated products for any unintended or unauthorized application, Customers shall indemnify and hold Diodes Incorporated and its representatives harmless against all claims, damages, expenses, and attorney fees arising out of, directly or indirectly, any claim of personal injury or death associated with such unintended or unauthorized application.

Products described herein may be covered by one or more United States, international or foreign patents pending. Product names and markings noted herein may also be covered by one or more United States, international or foreign trademarks.

LIFE SUPPORT

Diodes Incorporated products are specifically not authorized for use as critical components in life support devices or systems without the express written approval of the Chief Executive Officer of Diodes Incorporated. As used herein:

A. Life support devices or systems are devices or systems which:

1. are intended to implant into the body, or
2. support or sustain life and whose failure to perform when properly used in accordance with instructions for use provided in the labeling can be reasonably expected to result in significant injury to the user.

B. A critical component is any component in a life support device or system whose failure to perform can be reasonably expected to cause the failure of the life support device or to affect its safety or effectiveness.

Customers represent that they have all necessary expertise in the safety and regulatory ramifications of their life support devices or systems, and acknowledge and agree that they are solely responsible for all legal, regulatory and safety-related requirements concerning their products and any use of Diodes Incorporated products in such safety-critical, life support devices or systems, notwithstanding any devices- or systems-related information or support that may be provided by Diodes Incorporated. Further, Customers must fully indemnify Diodes Incorporated and its representatives against any damages arising out of the use of Diodes Incorporated products in such safety-critical, life support devices or systems.

Copyright © 2010, Diodes Incorporated

www.diodes.com



Компания «ЭлектроПласт» предлагает заключение долгосрочных отношений при поставках импортных электронных компонентов на взаимовыгодных условиях!

Наши преимущества:

- Оперативные поставки широкого спектра электронных компонентов отечественного и импортного производства напрямую от производителей и с крупнейших мировых складов;
- Поставка более 17-ти миллионов наименований электронных компонентов;
- Поставка сложных, дефицитных, либо снятых с производства позиций;
- Оперативные сроки поставки под заказ (от 5 рабочих дней);
- Экспресс доставка в любую точку России;
- Техническая поддержка проекта, помощь в подборе аналогов, поставка прототипов;
- Система менеджмента качества сертифицирована по Международному стандарту ISO 9001;
- Лицензия ФСБ на осуществление работ с использованием сведений, составляющих государственную тайну;
- Поставка специализированных компонентов (Xilinx, Altera, Analog Devices, Intersil, Interpoint, Microsemi, Aeroflex, Peregrine, Syfer, Eurofarad, Texas Instrument, Miteq, Cobham, E2V, MA-COM, Hittite, Mini-Circuits, General Dynamics и др.);

Помимо этого, одним из направлений компании «ЭлектроПласт» является направление «Источники питания». Мы предлагаем Вам помощь Конструкторского отдела:

- Подбор оптимального решения, техническое обоснование при выборе компонента;
- Подбор аналогов;
- Консультации по применению компонента;
- Поставка образцов и прототипов;
- Техническая поддержка проекта;
- Защита от снятия компонента с производства.



Как с нами связаться

Телефон: 8 (812) 309 58 32 (многоканальный)

Факс: 8 (812) 320-02-42

Электронная почта: org@eplast1.ru

Адрес: 198099, г. Санкт-Петербург, ул. Калинина, дом 2, корпус 4, литера А.