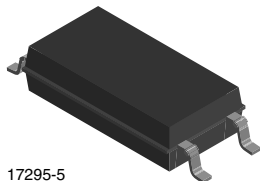




# Optocoupler, Phototransistor Output, SOP-4L, Long Mini-Flat Package



17295-5



### FEATURES

- SMD low profile 4 lead package
- $V_{IORM} = 1050\text{ V}$
- CTR flexibility available see order information
- Special construction
- Extra low coupling capacitance
- DC input with transistor output
- Creepage distance > 8 mm
- Material categorization: For definitions of compliance please see [www.vishay.com/doc?99912](http://www.vishay.com/doc?99912)



### DESCRIPTION

The TCLT100. series consists of a phototransistor optically coupled to a gallium arsenide infrared-emitting diode in a 4-lead SOP4L package.

### APPLICATIONS

- Switchmode power supplies
- Computer peripheral interface
- Microprocessor system interface

### AGENCY APPROVALS

- UL1577, file no. E76222
- CSA (cUL) 22.2 bulletin 5A recognized file no. E-76222
- BSI: BS EN 41003, BS EN 60065 (BS 415), BS EN 60950 (BS 7002), certificate number 7081 and 7402
- DIN EN 60747-5-5 (VDE 0884), available with option 1
- FIMKO (SETI): EN 60950
- CQC

### Note

- See the safety standard approval list "Agency Table" for more detailed information.

| ORDERING INFORMATION  |           |           |            |            |           |            |           |            |            |
|---|-----------|-----------|------------|------------|-----------|------------|-----------|------------|------------|
| <div style="display: flex; justify-content: space-around; align-items: center;"> <div style="border: 1px solid black; padding: 2px 5px;">T</div> <div style="border: 1px solid black; padding: 2px 5px;">C</div> <div style="border: 1px solid black; padding: 2px 5px;">L</div> <div style="border: 1px solid black; padding: 2px 5px;">T</div> <div style="border: 1px solid black; padding: 2px 5px;">1</div> <div style="border: 1px solid black; padding: 2px 5px;">0</div> <div style="border: 1px solid black; padding: 2px 5px;">0</div> <div style="border: 1px solid black; padding: 2px 5px;">#</div> </div> <p style="text-align: center; margin-top: 5px;">PART NUMBER</p> |           |           |            |            |           |            |           |            |            |
| AGENCY CERTIFIED/PACKAGE  | CTR (%)   |           |            |            |           |            |           |            |            |
|   | 5 mA      | 10 mA     |            |            | 5 mA      |            |           |            |            |
| UL, cUL, VDE, BSI, FIMKO  | 50 to 600 | 63 to 125 | 100 to 200 | 160 to 320 | 50 to 150 | 100 to 300 | 80 to 160 | 130 to 260 | 200 to 400 |
| SOP-4L  | TCLT1000  | TCLT1002  | TCLT1003   | TCLT1004   | TCLT1005  | TCLT1006   | TCLT1007  | TCLT1008   | TCLT1009   |

### Note

- Available only on tape and reel.



| <b>ABSOLUTE MAXIMUM RATINGS</b> ( $T_{amb} = 25\text{ }^{\circ}\text{C}$ , unless otherwise specified) |                                      |            |               |                    |
|--|--------------------------------------|------------|---------------|--------------------|
| PARAMETER  | TEST CONDITION                       | SYMBOL     | VALUE         | UNIT               |
| <b>INPUT</b>   |                                      |            |               |                    |
| Reverse voltage  |                                      | $V_R$      | 6             | V                  |
| Forward current  |                                      | $I_F$      | 60            | mA                 |
| Forward surge current  | $t_p \leq 10\text{ }\mu\text{s}$     | $I_{FSM}$  | 1.5           | A                  |
| Power dissipation  |                                      | $P_{diss}$ | 100           | mW                 |
| Junction temperature   |                                      | $T_j$      | 125           | $^{\circ}\text{C}$ |
| <b>OUTPUT</b>  |                                      |            |               |                    |
| Collector emitter voltage  |                                      | $V_{CEO}$  | 70            | V                  |
| Emitter collector voltage  |                                      | $V_{ECO}$  | 7             | V                  |
| Collector current  |                                      | $I_C$      | 50            | mA                 |
| Collector peak current   | $t_p/T = 0.5, t_p \leq 10\text{ ms}$ | $I_{CM}$   | 100           | mA                 |
| Power dissipation  |                                      | $P_{diss}$ | 150           | mW                 |
| Junction temperature   |                                      | $T_j$      | 125           | $^{\circ}\text{C}$ |
| <b>COUPLER</b>   |                                      |            |               |                    |
| Isolation test voltage (RMS)   |                                      | $V_{ISO}$  | 5000          | $V_{RMS}$          |
| Total power dissipation  |                                      | $P_{tot}$  | 250           | mW                 |
| Operating ambient temperature range  |                                      | $T_{amb}$  | - 55 to + 100 | $^{\circ}\text{C}$ |
| Storage temperature range  |                                      | $T_{stg}$  | - 55 to + 125 | $^{\circ}\text{C}$ |
| Soldering temperature  |                                      | $T_{slid}$ | 260           | $^{\circ}\text{C}$ |

**Note**

- Stresses in excess of the absolute maximum ratings can cause permanent damage to the device. Functional operation of the device is not implied at these or any other conditions in excess of those given in the operational sections of this document. Exposure to absolute maximum ratings for extended periods of the time can adversely affect reliability.

| <b>ELECTRICAL CHARACTERISTICS</b> ( $T_{amb} = 25\text{ }^{\circ}\text{C}$ , unless otherwise specified) |  |             |      |      |      |      |
|--|--|-------------|------|------|------|------|
| PARAMETER  | TEST CONDITION   | SYMBOL      | MIN. | TYP. | MAX. | UNIT |
| <b>INPUT</b>   |  |             |      |      |      |      |
| Forward voltage  | $I_F = 50\text{ mA}$   | $V_F$       |      | 1.25 | 1.6  | V    |
| Junction capacitance   | $V_R = 0\text{ V}, f = 1\text{ MHz}$                               | $C_j$       |      | 50   |      | pF   |
| <b>OUTPUT</b>  |  |             |      |      |      |      |
| Collector emitter voltage  | $I_C = 1\text{ mA}$  | $V_{CEO}$   | 70   |      |      | V    |
| Emitter collector voltage  | $I_E = 100\text{ }\mu\text{A}$                                     | $V_{ECO}$   | 7    |      |      | V    |
| Collector emitter cut-off current  | $V_{CE} = 20\text{ V}, I_F = 0\text{ A}$                           | $I_{CEO}$   |      | 10   | 100  | nA   |
| <b>COUPLER</b>   |  |             |      |      |      |      |
| Collector emitter saturation voltage   | $I_F = 10\text{ mA}, I_C = 1\text{ mA}$                            | $V_{CEsat}$ |      |      | 0.3  | V    |
| Cut-off frequency  | $V_{CE} = 5\text{ V}, I_F = 10\text{ mA}, R_L = 100\text{ }\Omega$ | $f_c$       |      | 110  |      | kHz  |
| Coupling capacitance   | $f = 1\text{ MHz}$   | $C_k$       |      | 0.3  |      | pF   |

**Note**

- Minimum and maximum values are testing requirements. Typical values are characteristics of the device and are the result of engineering evaluation. Typical values are for information only and are not part of the testing requirements.



| CURRENT TRANSFER RATIO ( $T_{amb} = 25\text{ }^{\circ}\text{C}$ , unless otherwise specified) |  |          |        |      |      |      |      |
|---|--|----------|--------|------|------|------|------|
| PARAMETER   | TEST CONDITION                               | PART     | SYMBOL | MIN. | TYP. | MAX. | UNIT |
| $I_C/I_F$   | $V_{CE} = 5\text{ V}$ , $I_F = 5\text{ mA}$  | TCLT1000 | CTR    | 50   |      | 600  | %    |
|   |  | TCLT1002 | CTR    | 63   |      | 125  | %    |
|   | $V_{CE} = 5\text{ V}$ , $I_F = 10\text{ mA}$ | TCLT1003 | CTR    | 100  |      | 200  | %    |
|   |  | TCLT1004 | CTR    | 160  |      | 320  | %    |
|   | $V_{CE} = 5\text{ V}$ , $I_F = 1\text{ mA}$  | TCLT1002 | CTR    | 22   | 45   |      | %    |
|   |  | TCLT1003 | CTR    | 34   | 70   |      | %    |
|   |  | TCLT1004 | CTR    | 56   | 100  |      | %    |
|   | $V_{CE} = 5\text{ V}$ , $I_F = 5\text{ mA}$  | TCLT1005 | CTR    | 50   |      | 150  | %    |
|   |  | TCLT1006 | CTR    | 100  |      | 300  | %    |
|   |  | TCLT1007 | CTR    | 80   |      | 160  | %    |
|   |  | TCLT1008 | CTR    | 130  |      | 260  | %    |
| TCLT1009  |  | CTR      | 200    |      | 400  | %    |      |

| SAFETY AND INSULATION RATED PARAMETERS                  |  |            |           |      |      |                    |
|---|--|------------|-----------|------|------|--------------------|
| PARAMETER   | TEST CONDITION   | SYMBOL     | MIN.      | TYP. | MAX. | UNIT               |
| Partial discharge test voltage - routine test           | 100 %, $t_{test} = 1\text{ s}$   | $V_{pd}$   | 2         |      |      | kV                 |
| Partial discharge test voltage - lot test (sample test) | $t_{Tr} = 60\text{ s}$ , $t_{test} = 10\text{ s}$ , (see figure 2)                         | $V_{IOTM}$ |           |      | 8    | kV <sub>peak</sub> |
|   |  | $V_{pd}$   |           |      | 1.68 | kV <sub>peak</sub> |
| Insulation resistance                                   | $V_{IO} = 500\text{ V}$  | $R_{IO}$   | $10^{12}$ |      |      | $\Omega$           |
|   | $V_{IO} = 500\text{ V}$ , $T_{amb} = 100\text{ }^{\circ}\text{C}$                          | $R_{IO}$   | $10^{11}$ |      |      | $\Omega$           |
|   | $V_{IO} = 500\text{ V}$ , $T_{amb} = 150\text{ }^{\circ}\text{C}$ (construction test only) | $R_{IO}$   | $10^9$    |      |      | $\Omega$           |
| Forward current   |  | $I_{si}$   | 130       |      |      | mA                 |
| Power dissipation                                       |  | $P_{so}$   | 265       |      |      | mW                 |
| Rated impulse voltage                                   |  | $V_{IOTM}$ | 8         |      |      | kV                 |
| Safety temperature                                      |  | $T_{si}$   | 150       |      |      | $^{\circ}\text{C}$ |
| Clearance distance                                      |  |            | 8.0       |      |      | mm                 |
| Creepage distance                                       |  |            | 8.0       |      |      | mm                 |
| Insulation distance (internal)                          |  |            | 0.40      |      |      | mm                 |

**Note**

- According to DIN EN 60747-5-2 (VDE 0884) (see figure 2). This optocoupler is suitable for safe electrical isolation only within the safety ratings. Compliance with the safety ratings shall be ensured by means of suitable protective circuits.

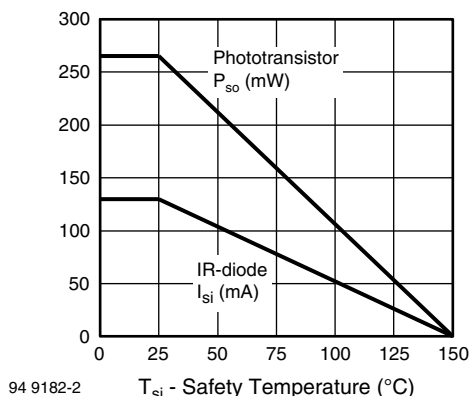


Fig. 1 - Derating Diagram

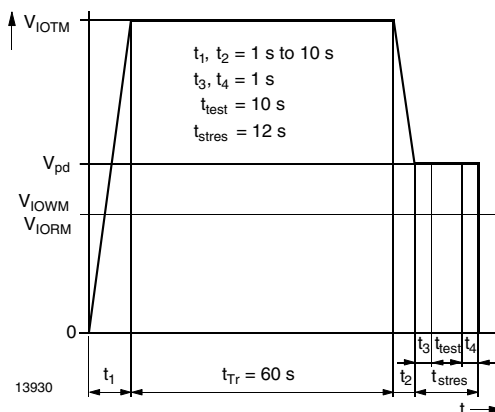


Fig. 2 - Test Pulse Diagram for Sample Test according to DIN EN 60747-5-2 (VDE 0884); IEC60747-5-5

| SWITCHING CHARACTERISTICS ( $T_{amb} = 25\text{ }^{\circ}\text{C}$ , unless otherwise specified) |   |           |      |      |      |               |
|--|---|-----------|------|------|------|---------------|
| PARAMETER  | TEST CONDITION  | SYMBOL    | MIN. | TYP. | MAX. | UNIT          |
| Delay time   | $V_S = 5\text{ V}$ , $I_C = 2\text{ mA}$ , $R_L = 100\text{ }\Omega$ , (see figure 3) | $t_d$     |      | 3    |      | $\mu\text{s}$ |
| Rise time  | $V_S = 5\text{ V}$ , $I_C = 2\text{ mA}$ , $R_L = 100\text{ }\Omega$ , (see figure 3) | $t_r$     |      | 3    |      | $\mu\text{s}$ |
| Fall time  | $V_S = 5\text{ V}$ , $I_C = 2\text{ mA}$ , $R_L = 100\text{ }\Omega$ , (see figure 3) | $t_f$     |      | 4.7  |      | $\mu\text{s}$ |
| Storage time   | $V_S = 5\text{ V}$ , $I_C = 2\text{ mA}$ , $R_L = 100\text{ }\Omega$ , (see figure 3) | $t_s$     |      | 0.3  |      | $\mu\text{s}$ |
| Turn-on time   | $V_S = 5\text{ V}$ , $I_C = 2\text{ mA}$ , $R_L = 100\text{ }\Omega$ , (see figure 3) | $t_{on}$  |      | 6    |      | $\mu\text{s}$ |
| Turn-off time  | $V_S = 5\text{ V}$ , $I_C = 2\text{ mA}$ , $R_L = 100\text{ }\Omega$ , (see figure 3) | $t_{off}$ |      | 5    |      | $\mu\text{s}$ |
| Turn-on time   | $V_S = 5\text{ V}$ , $I_F = 10\text{ mA}$ , $R_L = 1\text{ k}\Omega$ , (see figure 4) | $t_{on}$  |      | 9    |      | $\mu\text{s}$ |
| Turn-off time  | $V_S = 5\text{ V}$ , $I_F = 10\text{ mA}$ , $R_L = 1\text{ k}\Omega$ , (see figure 4) | $t_{off}$ |      | 10   |      | $\mu\text{s}$ |



Fig. 3 - Test Circuit, Non-Saturated Operation



Fig. 5 - Switching Times



Fig. 4 - Test Circuit, Saturated Operation



PACKAGE DIMENSIONS in millimeters



22533

Possible footprint



technical drawings according to DIN specifications

PACKAGE MARKING





## Disclaimer

ALL PRODUCT, PRODUCT SPECIFICATIONS AND DATA ARE SUBJECT TO CHANGE WITHOUT NOTICE TO IMPROVE RELIABILITY, FUNCTION OR DESIGN OR OTHERWISE.

Vishay Intertechnology, Inc., its affiliates, agents, and employees, and all persons acting on its or their behalf (collectively, "Vishay"), disclaim any and all liability for any errors, inaccuracies or incompleteness contained in any datasheet or in any other disclosure relating to any product.

Vishay makes no warranty, representation or guarantee regarding the suitability of the products for any particular purpose or the continuing production of any product. To the maximum extent permitted by applicable law, Vishay disclaims (i) any and all liability arising out of the application or use of any product, (ii) any and all liability, including without limitation special, consequential or incidental damages, and (iii) any and all implied warranties, including warranties of fitness for particular purpose, non-infringement and merchantability.

Statements regarding the suitability of products for certain types of applications are based on Vishay's knowledge of typical requirements that are often placed on Vishay products in generic applications. Such statements are not binding statements about the suitability of products for a particular application. It is the customer's responsibility to validate that a particular product with the properties described in the product specification is suitable for use in a particular application. Parameters provided in datasheets and/or specifications may vary in different applications and performance may vary over time. All operating parameters, including typical parameters, must be validated for each customer application by the customer's technical experts. Product specifications do not expand or otherwise modify Vishay's terms and conditions of purchase, including but not limited to the warranty expressed therein.

Except as expressly indicated in writing, Vishay products are not designed for use in medical, life-saving, or life-sustaining applications or for any other application in which the failure of the Vishay product could result in personal injury or death. Customers using or selling Vishay products not expressly indicated for use in such applications do so at their own risk. Please contact authorized Vishay personnel to obtain written terms and conditions regarding products designed for such applications.

No license, express or implied, by estoppel or otherwise, to any intellectual property rights is granted by this document or by any conduct of Vishay. Product names and markings noted herein may be trademarks of their respective owners.

## Material Category Policy

**Vishay Intertechnology, Inc. hereby certifies that all its products that are identified as RoHS-Compliant fulfill the definitions and restrictions defined under Directive 2011/65/EU of The European Parliament and of the Council of June 8, 2011 on the restriction of the use of certain hazardous substances in electrical and electronic equipment (EEE) - recast, unless otherwise specified as non-compliant.**

**Please note that some Vishay documentation may still make reference to RoHS Directive 2002/95/EC. We confirm that all the products identified as being compliant to Directive 2002/95/EC conform to Directive 2011/65/EU.**

**Vishay Intertechnology, Inc. hereby certifies that all its products that are identified as Halogen-Free follow Halogen-Free requirements as per JEDEC JS709A standards. Please note that some Vishay documentation may still make reference to the IEC 61249-2-21 definition. We confirm that all the products identified as being compliant to IEC 61249-2-21 conform to JEDEC JS709A standards.**



Компания «ЭлектроПласт» предлагает заключение долгосрочных отношений при поставках импортных электронных компонентов на взаимовыгодных условиях!

Наши преимущества:

- Оперативные поставки широкого спектра электронных компонентов отечественного и импортного производства напрямую от производителей и с крупнейших мировых складов;
- Поставка более 17-ти миллионов наименований электронных компонентов;
- Поставка сложных, дефицитных, либо снятых с производства позиций;
- Оперативные сроки поставки под заказ (от 5 рабочих дней);
- Экспресс доставка в любую точку России;
- Техническая поддержка проекта, помощь в подборе аналогов, поставка прототипов;
- Система менеджмента качества сертифицирована по Международному стандарту ISO 9001;
- Лицензия ФСБ на осуществление работ с использованием сведений, составляющих государственную тайну;
- Поставка специализированных компонентов (Xilinx, Altera, Analog Devices, Intersil, Interpoint, Microsemi, Aeroflex, Peregrine, Syfer, Eurofarad, Texas Instrument, Miteq, Cobham, E2V, MA-COM, Hittite, Mini-Circuits, General Dynamics и др.);

Помимо этого, одним из направлений компании «ЭлектроПласт» является направление «Источники питания». Мы предлагаем Вам помощь Конструкторского отдела:

- Подбор оптимального решения, техническое обоснование при выборе компонента;
- Подбор аналогов;
- Консультации по применению компонента;
- Поставка образцов и прототипов;
- Техническая поддержка проекта;
- Защита от снятия компонента с производства.



#### Как с нами связаться

**Телефон:** 8 (812) 309 58 32 (многоканальный)

**Факс:** 8 (812) 320-02-42

**Электронная почта:** [org@eplast1.ru](mailto:org@eplast1.ru)

**Адрес:** 198099, г. Санкт-Петербург, ул. Калинина, дом 2, корпус 4, литера А.