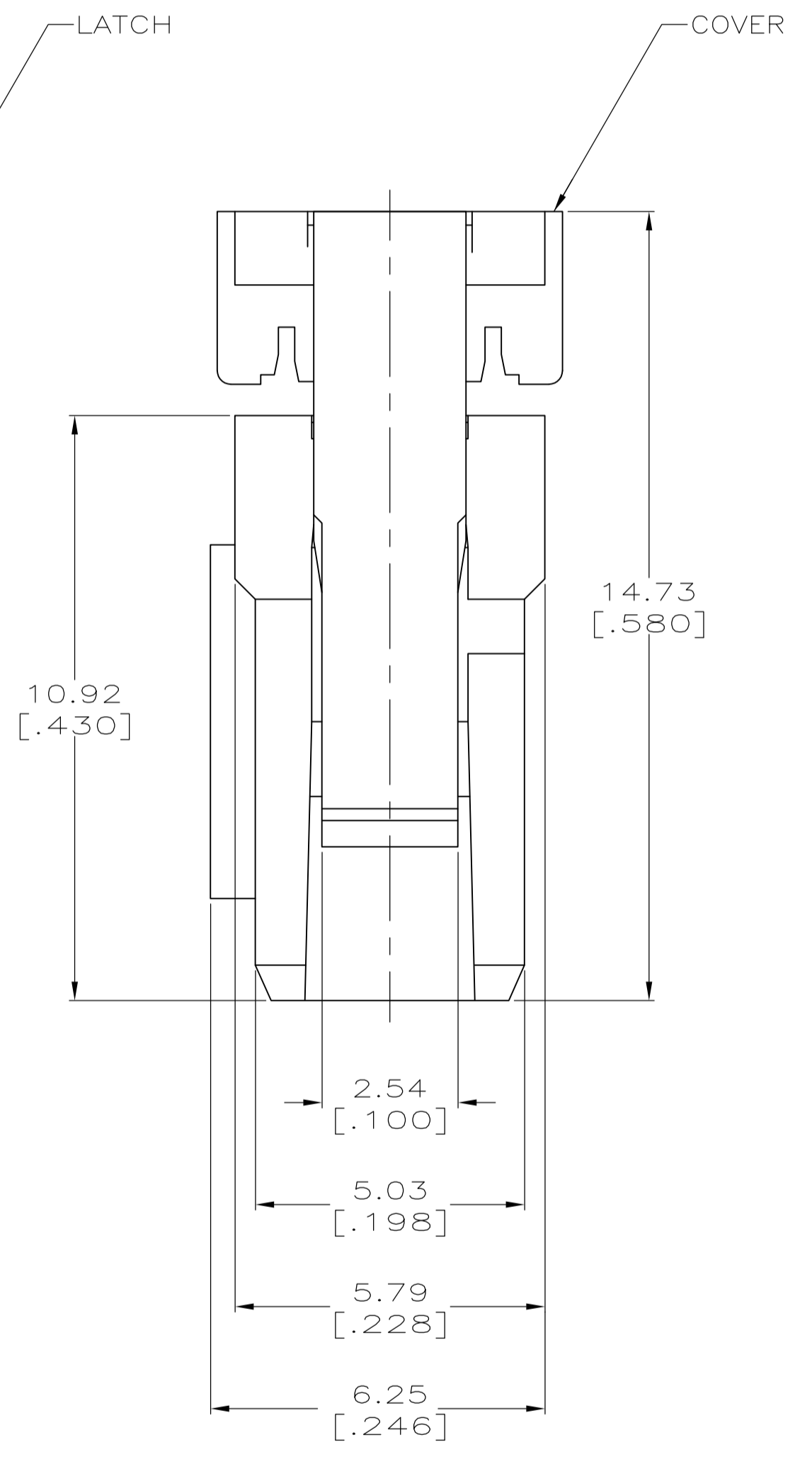
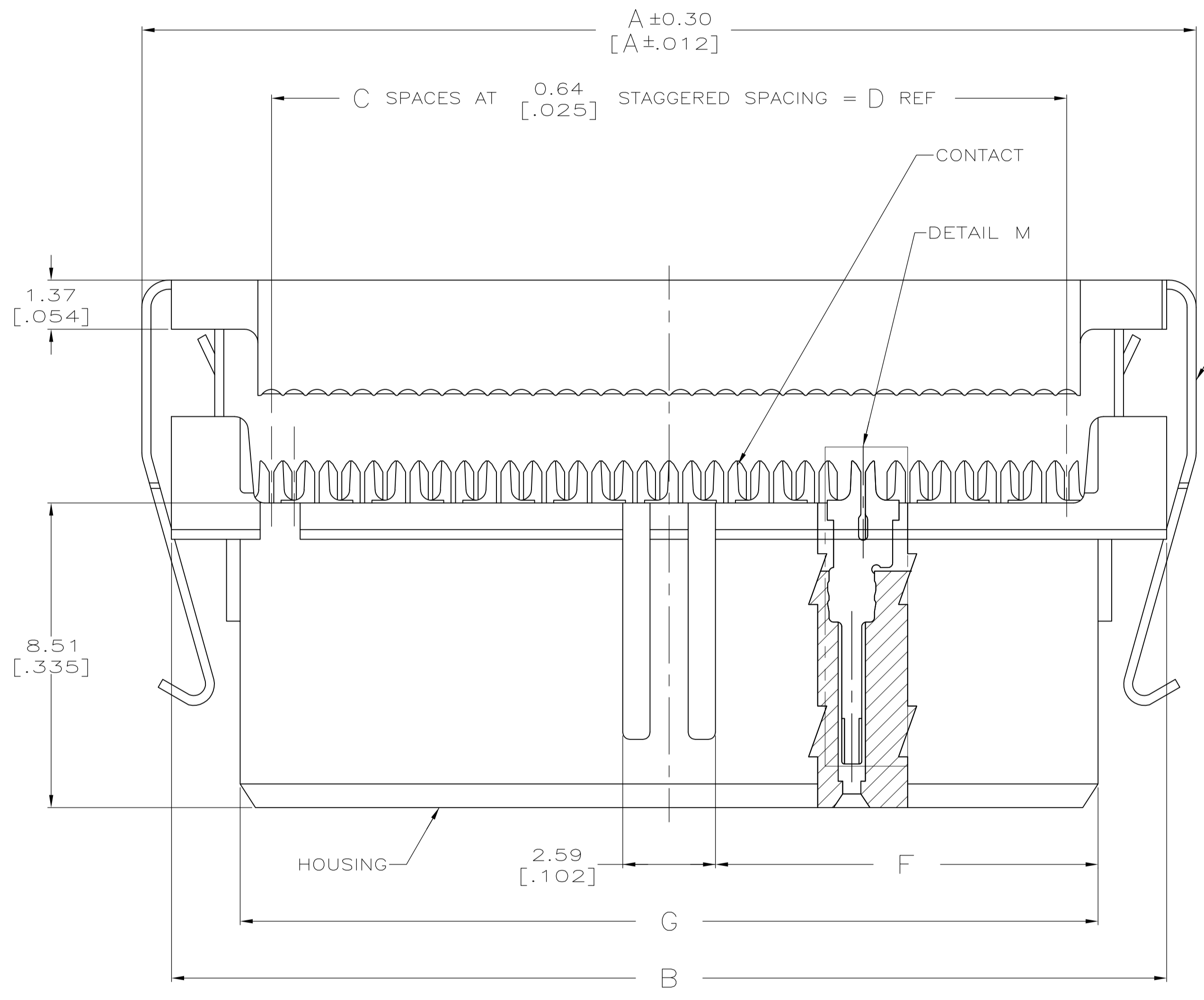
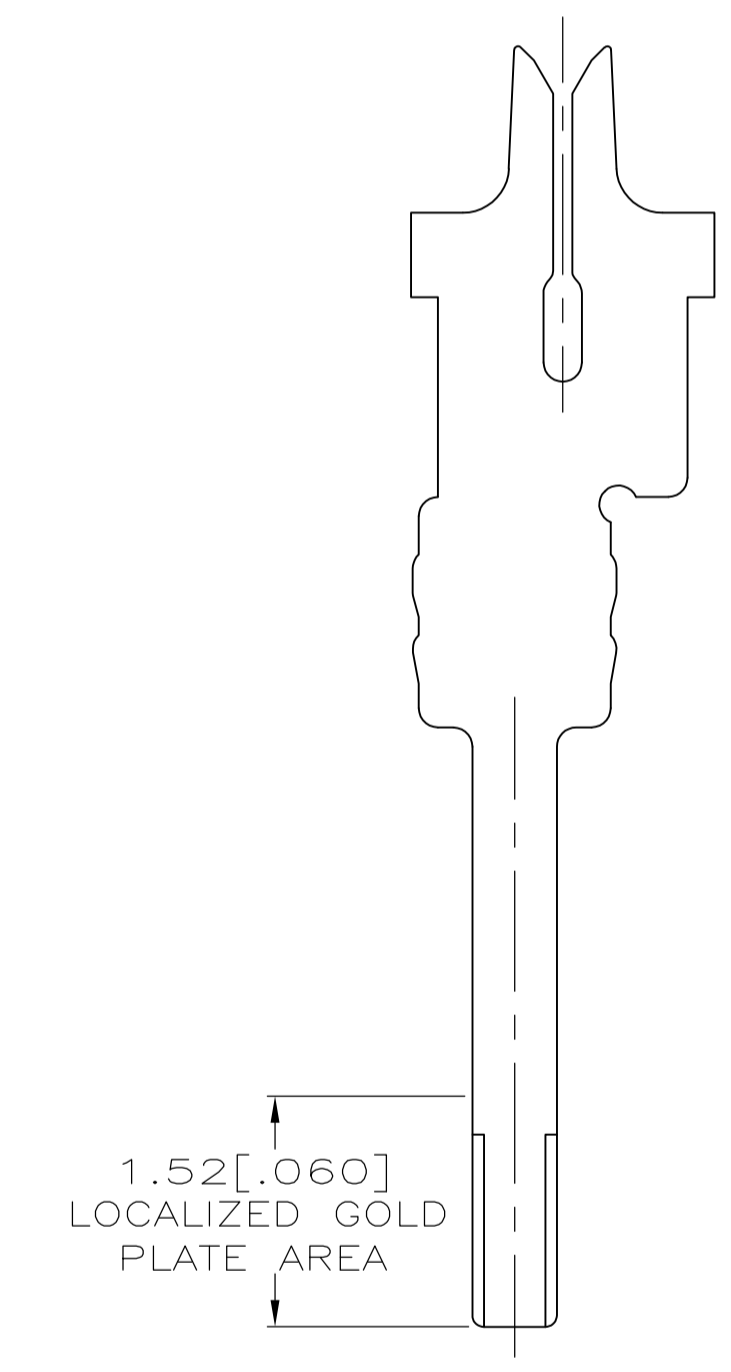


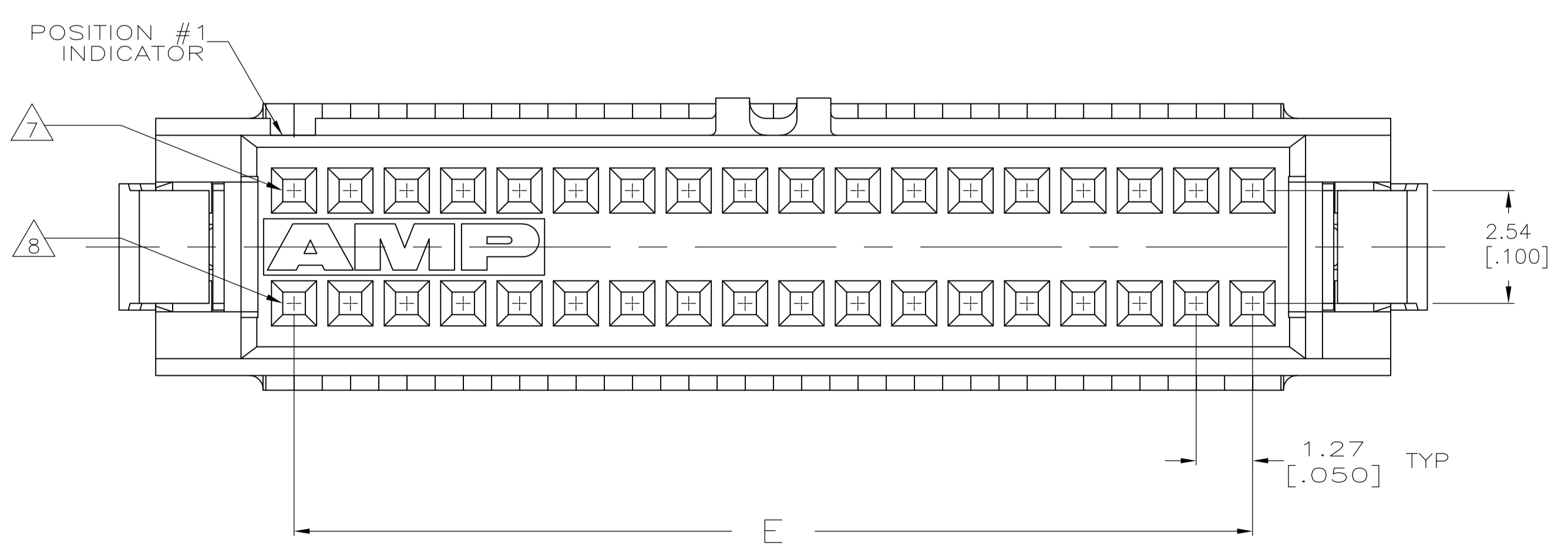
TERMINATED VIEW  
SCALE 5:1



BEFORE TERMINATION



DETAIL M  
SCALE 20:1  
TYPICAL



|  |                       |                             |   |
|--|-----------------------|-----------------------------|---|
| THIS DRAWING IS A CONTROLLED DOCUMENT. DIMENSIONING AND TOLERANCING PER ASME Y14.5M-2009 |                       | DWG: J. GERACE 20JUL04      | TE Connectivity   |
| TOLERANCES UNLESS OTHERWISE SPECIFIED:   |                       | CHK: C. ROHDE 20JUL04       |   |
| DIMENSIONS:  | 0. PLC ± -            | APPD: M. WALMSLEY 20JUL04   | NAME: AMP-LATCH™ SYSTEM 50, RECEPTACLE ASSEMBLY, 0.64[.025] IDC |
| mm [INCHES]  | 1. PLC ± -            | PRODUCT SPEC: 108-1109      | SIZE: A1  |
|  | 2. PLC ± ± 0.13[.005] | APPLICATION SPEC: 114-25029 | SCALE: 10:1   |
|  | 3. PLC ± -            | WEIGHT: -                   | SHEET 1 OF 2  |
|  | 4. PLC ± -            | CUSTOMER DRAWING            | REV N1  |
| MATERIAL: SEE SHEET 2  | FINISH: SEE SHEET 2   | RESTRICTED TO: -            |   |

- ① HOUSING MATERIAL: UL RATED 94V-0 LCP THERMOPLASTIC, COLOR-BLACK.  
COVER MATERIAL: UL RATED 94V-0 POLYESTER OR POLYAMIDE MOLDING COMPOUND, COLOR-BLACK.
- ② CONTACT MATERIAL: COPPER ALLOY.
- ③ LATCH MATERIAL: STAINLESS STEEL.
- ④ CONTACT FINISH: 0.00076 [.000030] MIN THICK GOLD PLATE ON LOCALIZED GOLD PLATE AREA, 0.00254-0.00508 [.000100-.000200] THICK BRIGHT TIN OR BRIGHT TIN-LEAD ON IDC END, ALL OVER 0.00127 [.000050] MIN THICK NICKEL PLATE.
- 5. MATES WITH 0.38 [.015] SQUARE OR ROUND POSTS, 3.18±0.10 [.125±.004] LONG, ON 1.27 [.050] x 2.54 [.100] GRID.
- ⑥ CONTACT FINISH: 0.00076 [.000030] MIN THICK GOLD PLATE ON LOCALIZED GOLD PLATE AREA, 0.00254-0.00508 [.000100-.000200] THICK TIN ON IDC END, ALL OVER 0.00127 [.000050] MIN THICK NICKEL PLATE.
- ⑦ POSITION 1: ALL ODD NUMBERED POSITIONS IN THIS ROW.
- ⑧ POSITION 2: ALL EVEN NUMBERED POSITIONS IN THIS ROW.

|          |                |                  |                  |                  |                  |    |                  |                  |      |            |
|----------|----------------|------------------|------------------|------------------|------------------|----|------------------|------------------|------|------------|
|          | ⑥              | 44.30<br>[1.744] | 20.85<br>[.821]  | 41.91<br>[1.650] | 42.54<br>[1.675] | 67 | 48.13<br>[1.895] | 49.78<br>[1.960] | 68   | 3-111196-4 |
|          | ⑥              | 51.92<br>[2.044] | 24.66<br>[.971]  | 49.53<br>[1.950] | 50.16<br>[1.975] | 79 | 55.75<br>[2.195] | 57.40<br>[2.260] | 80   | 3-111196-3 |
|          | ⑥              | 41.76<br>[1.644] | 19.58<br>[.771]  | 39.37<br>[1.550] | 40.00<br>[1.575] | 63 | 45.59<br>[1.795] | 47.24<br>[1.860] | 64   | 3-111196-2 |
|          | ⑥              | 29.06<br>[1.144] | 13.23<br>[.521]  | 26.67<br>[1.050] | 27.30<br>[1.075] | 43 | 32.89<br>[1.295] | 34.54<br>[1.360] | 44   | 3-111196-1 |
|          | ⑥              | 22.71<br>[.894]  | 10.06<br>[.396]  | 20.32<br>[.800]  | 20.96<br>[.825]  | 33 | 26.54<br>[1.045] | 28.19<br>[1.110] | 34   | 3-111196-0 |
|          | ⑥              | 17.63<br>[.694]  | 7.52<br>[.296]   | 15.24<br>[.600]  | 15.88<br>[.625]  | 25 | 21.46<br>[.845]  | 23.11<br>[.910]  | 26   | 2-111196-9 |
|          | ⑥              | 16.36<br>[.644]  | 6.88<br>[.271]   | 13.97<br>[.550]  | 14.60<br>[.575]  | 23 | 20.19<br>[.795]  | 21.84<br>[.860]  | 24   | 2-111196-8 |
|          | ⑥              | 11.28<br>[.444]  | 4.34<br>[.171]   | 8.89<br>[.350]   | 9.52<br>[.375]   | 15 | 15.11<br>[.595]  | 16.76<br>[.660]  | 16   | 2-111196-7 |
|          | ⑥              | 10.01<br>[.394]  | 3.71<br>[.146]   | 7.62<br>[.300]   | 8.26<br>[.325]   | 13 | 13.84<br>[.545]  | 15.49<br>[.610]  | 14   | 2-111196-6 |
|          | ⑥              | 7.47<br>[.294]   | 2.44<br>[.096]   | 5.08<br>[.200]   | 5.72<br>[.225]   | 9  | 11.30<br>[.445]  | 12.95<br>[.510]  | 10   | 2-111196-5 |
|          | ⑥              | 64.62<br>[2.544] | 31.01<br>[1.221] | 62.23<br>[2.450] | 62.86<br>[2.475] | 99 | 68.45<br>[2.695] | 70.10<br>[2.760] | 100  | 2-111196-4 |
|          | ⑥              | 46.84<br>[1.844] | 22.12<br>[.871]  | 44.45<br>[1.750] | 45.08<br>[1.775] | 71 | 50.67<br>[1.995] | 52.32<br>[2.060] | 72   | 2-111196-3 |
|          | ⑥              | 39.22<br>[1.544] | 18.31<br>[.721]  | 36.83<br>[1.450] | 37.46<br>[1.475] | 59 | 43.05<br>[1.695] | 44.70<br>[1.760] | 60   | 2-111196-2 |
|          | ⑥              | 32.87<br>[1.294] | 15.14<br>[.596]  | 30.48<br>[1.200] | 31.12<br>[1.225] | 49 | 36.70<br>[1.445] | 38.35<br>[1.510] | 50   | 2-111196-1 |
|          | ⑥              | 26.52<br>[1.044] | 11.96<br>[.471]  | 24.13<br>[.950]  | 24.76<br>[.975]  | 39 | 30.35<br>[1.195] | 32.00<br>[1.260] | 40   | 2-111196-0 |
|          | ⑥              | 20.17<br>[.794]  | 8.79<br>[.346]   | 17.78<br>[.700]  | 18.42<br>[.725]  | 29 | 24.00<br>[.945]  | 25.65<br>[1.010] | 30   | 1-111196-9 |
|          | ⑥              | 13.82<br>[.544]  | 5.61<br>[.221]   | 11.43<br>[.450]  | 12.06<br>[.475]  | 19 | 17.65<br>[.695]  | 19.30<br>[.760]  | 20   | 1-111196-8 |
| OBSOLETE | ④              | 44.30<br>[1.744] | 20.85<br>[.821]  | 41.91<br>[1.650] | 42.54<br>[1.675] | 67 | 48.13<br>[1.895] | 49.78<br>[1.960] | 68   | 1-111196-7 |
|          | ④              | 64.62<br>[2.544] | 31.01<br>[1.221] | 62.23<br>[2.450] | 62.86<br>[2.475] | 99 | 68.45<br>[2.695] | 70.10<br>[2.760] | 100  | 1-111196-6 |
|          | ④              | 51.92<br>[2.044] | 24.66<br>[.971]  | 49.53<br>[1.950] | 50.16<br>[1.975] | 79 | 55.75<br>[2.195] | 57.40<br>[2.260] | 80   | 1-111196-5 |
| OBSOLETE | ④              | 46.84<br>[1.844] | 22.12<br>[.871]  | 44.45<br>[1.750] | 45.08<br>[1.775] | 71 | 50.67<br>[1.995] | 52.32<br>[2.060] | 72   | 1-111196-4 |
|          | ④              | 41.76<br>[1.644] | 19.58<br>[.771]  | 39.37<br>[1.550] | 40.00<br>[1.575] | 63 | 45.59<br>[1.795] | 47.24<br>[1.860] | 64   | 1-111196-3 |
|          | ④              | 39.22<br>[1.544] | 18.31<br>[.721]  | 36.83<br>[1.450] | 37.46<br>[1.475] | 59 | 43.05<br>[1.695] | 44.70<br>[1.760] | 60   | 1-111196-2 |
|          | ④              | 32.87<br>[1.294] | 15.14<br>[.596]  | 30.48<br>[1.200] | 31.12<br>[1.225] | 49 | 36.70<br>[1.445] | 38.35<br>[1.510] | 50   | 1-111196-1 |
|          | ④              | 29.06<br>[1.144] | 13.23<br>[.521]  | 26.67<br>[1.050] | 27.30<br>[1.075] | 43 | 32.89<br>[1.295] | 34.54<br>[1.360] | 44   | 1-111196-0 |
|          | ④              | 26.52<br>[1.044] | 11.96<br>[.471]  | 24.13<br>[.950]  | 24.76<br>[.975]  | 39 | 30.35<br>[1.195] | 32.00<br>[1.260] | 40   | 111196-9   |
| OBSOLETE | ④              | 22.71<br>[.894]  | 10.06<br>[.396]  | 20.32<br>[.800]  | 20.96<br>[.825]  | 33 | 26.54<br>[1.045] | 28.19<br>[1.110] | 34   | 111196-8   |
|          | ④              | 20.17<br>[.794]  | 8.79<br>[.346]   | 17.78<br>[.700]  | 18.42<br>[.725]  | 29 | 24.00<br>[.945]  | 25.65<br>[1.010] | 30   | 111196-7   |
|          | ④              | 17.63<br>[.694]  | 7.52<br>[.296]   | 15.24<br>[.600]  | 15.88<br>[.625]  | 25 | 21.46<br>[.845]  | 23.11<br>[.910]  | 26   | 111196-6   |
|          | ④              | 16.36<br>[.644]  | 6.88<br>[.271]   | 13.97<br>[.550]  | 14.60<br>[.575]  | 23 | 20.19<br>[.795]  | 21.84<br>[.860]  | 24   | 111196-5   |
|          | ④              | 13.82<br>[.544]  | 5.61<br>[.221]   | 11.43<br>[.450]  | 12.06<br>[.475]  | 19 | 17.65<br>[.695]  | 19.30<br>[.760]  | 20   | 111196-4   |
| OBSOLETE | ④              | 11.28<br>[.444]  | 4.34<br>[.171]   | 8.89<br>[.350]   | 9.52<br>[.375]   | 15 | 15.11<br>[.595]  | 16.76<br>[.660]  | 16   | 111196-3   |
| OBSOLETE | ④              | 10.01<br>[.394]  | 3.71<br>[.146]   | 7.62<br>[.300]   | 8.26<br>[.325]   | 13 | 13.84<br>[.545]  | 15.49<br>[.610]  | 14   | 111196-2   |
|          | ④              | 7.47<br>[.294]   | 2.44<br>[.096]   | 5.08<br>[.200]   | 5.72<br>[.225]   | 9  | 11.30<br>[.445]  | 12.95<br>[.510]  | 10   | 111196-1   |
|          | CONTACT FINISH | G                | F                | E                | D                | C  | B                | A                | POSN |            |

THIS DRAWING IS A CONTROLLED DOCUMENT. DIMENSIONING AND TOLERANCING PER ASME Y14.5M-2009. TOLERANCES UNLESS OTHERWISE SPECIFIED: 0.125 ± .005. MATERIAL: MOLDED PARTS. FINISH: CONTACTS: SEE TABLE.

DIN R.K. SEIFRIED/UTA 11/13/92  
CHK R. RUCHTER 3/25/93

STE TE Connectivity

AMP-LATCH SYSTEM 50, RECEPTACLE ASSEMBLY, 0.64[.025], IDC

PRODUCT SPEC: 108-1109  
APPLICATION SPEC: 114-25029

SIZE: A1  
WEIGHT: 100779  
SCALE: 10:1  
SHEET: 2 OF 2  
REV: N1



Компания «ЭлектроПласт» предлагает заключение долгосрочных отношений при поставках импортных электронных компонентов на взаимовыгодных условиях!

Наши преимущества:

- Оперативные поставки широкого спектра электронных компонентов отечественного и импортного производства напрямую от производителей и с крупнейших мировых складов;
- Поставка более 17-ти миллионов наименований электронных компонентов;
- Поставка сложных, дефицитных, либо снятых с производства позиций;
- Оперативные сроки поставки под заказ (от 5 рабочих дней);
- Экспресс доставка в любую точку России;
- Техническая поддержка проекта, помощь в подборе аналогов, поставка прототипов;
- Система менеджмента качества сертифицирована по Международному стандарту ISO 9001;
- Лицензия ФСБ на осуществление работ с использованием сведений, составляющих государственную тайну;
- Поставка специализированных компонентов (Xilinx, Altera, Analog Devices, Intersil, Interpoint, Microsemi, Aeroflex, Peregrine, Syfer, Eurofarad, Texas Instrument, Miteq, Cobham, E2V, MA-COM, Hittite, Mini-Circuits, General Dynamics и др.);

Помимо этого, одним из направлений компании «ЭлектроПласт» является направление «Источники питания». Мы предлагаем Вам помощь Конструкторского отдела:

- Подбор оптимального решения, техническое обоснование при выборе компонента;
- Подбор аналогов;
- Консультации по применению компонента;
- Поставка образцов и прототипов;
- Техническая поддержка проекта;
- Защита от снятия компонента с производства.



#### Как с нами связаться

**Телефон:** 8 (812) 309 58 32 (многоканальный)

**Факс:** 8 (812) 320-02-42

**Электронная почта:** [org@eplast1.ru](mailto:org@eplast1.ru)

**Адрес:** 198099, г. Санкт-Петербург, ул. Калинина, дом 2, корпус 4, литера А.