

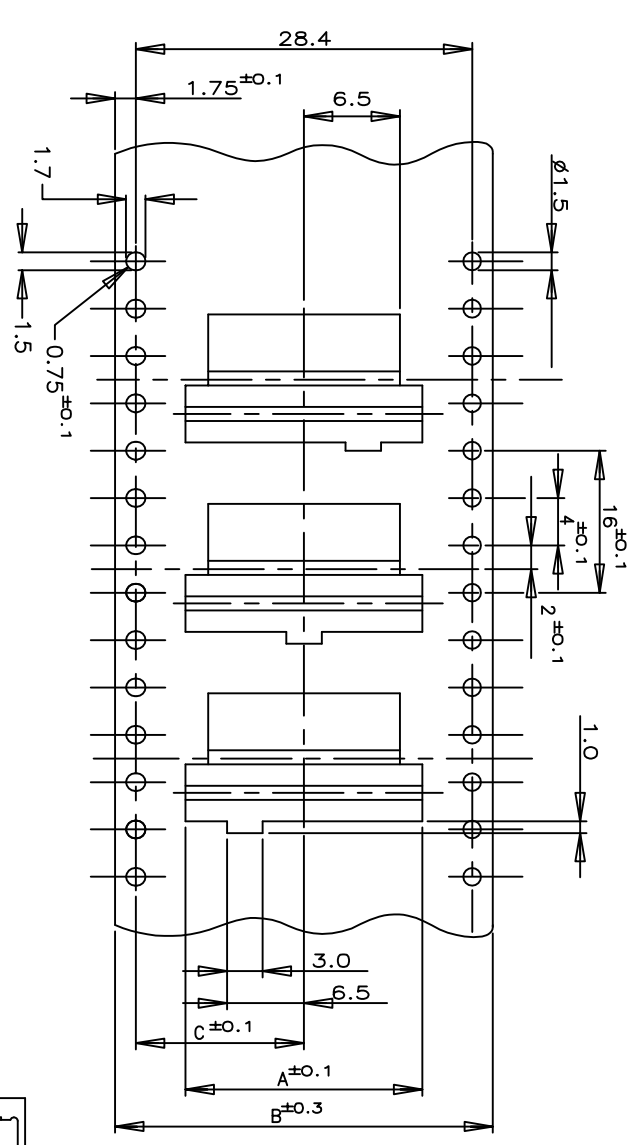
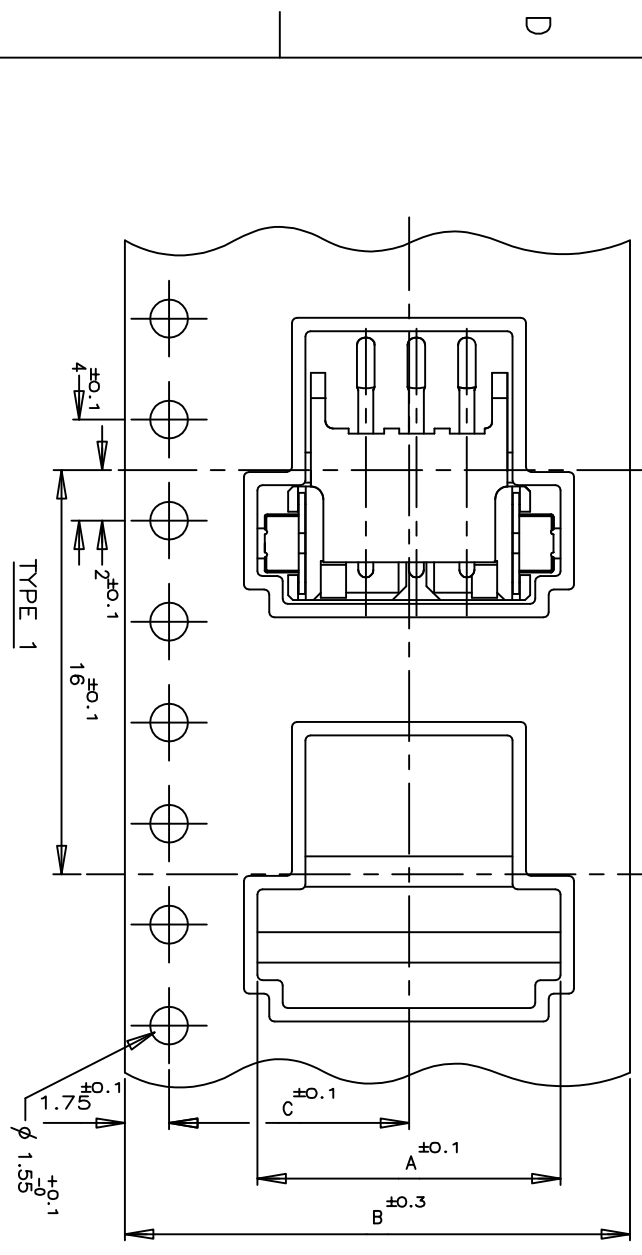
THIS DRAWING IS UNPUBLISHED.

© COPYRIGHT - By -

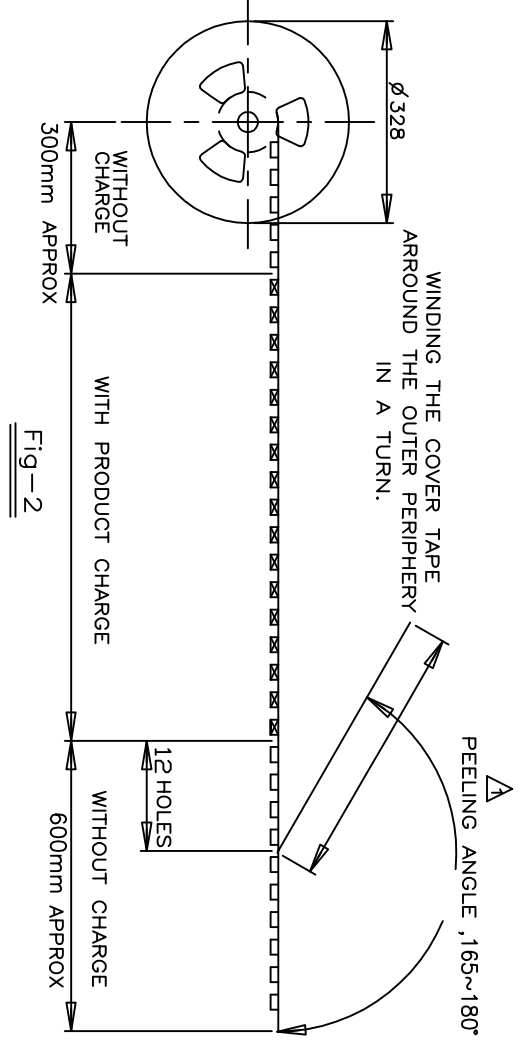
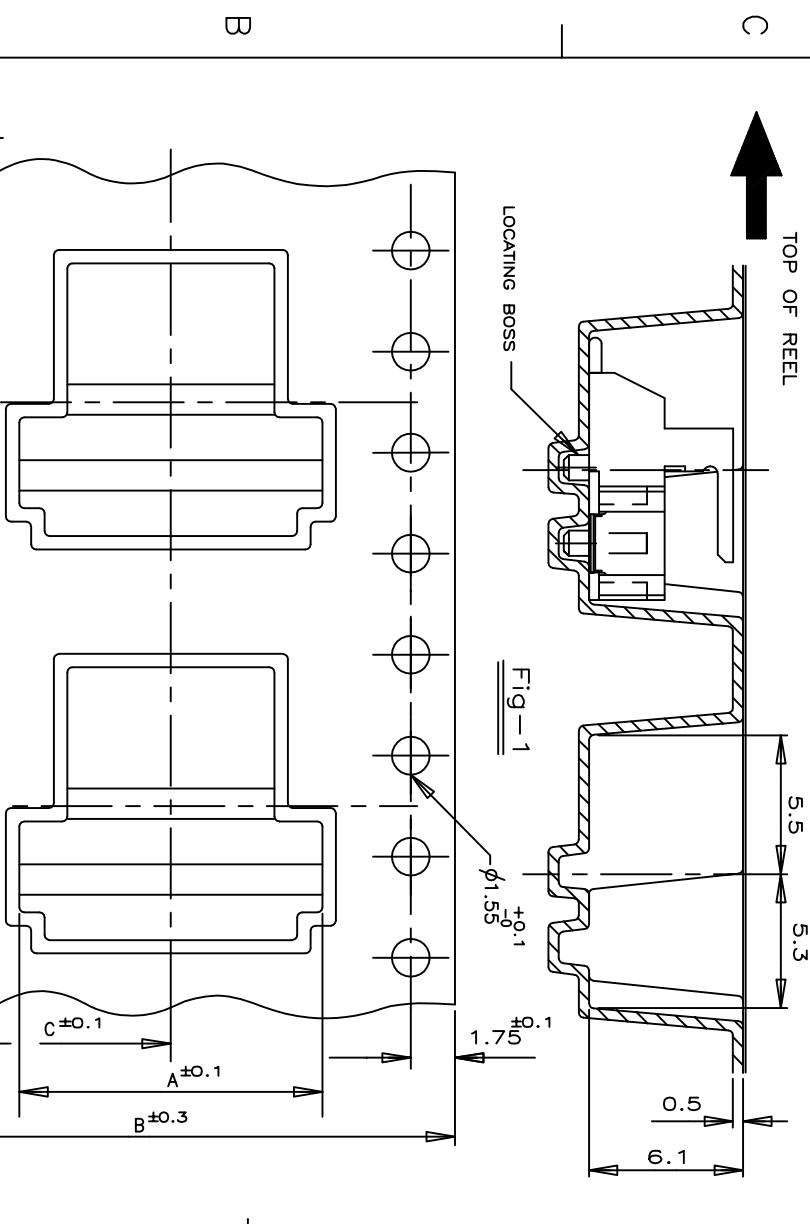
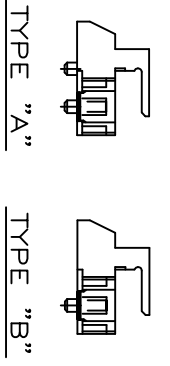
RELEASED FOR PUBLICATION
ALL RIGHTS RESERVED.

LOC	DIST	REV	DESCRIPTION	DATE	DWN	APVD
ES	00	P	LTR			
		C3	REVISED ECR-11-021545	24OCT11	C.Z	S.Y

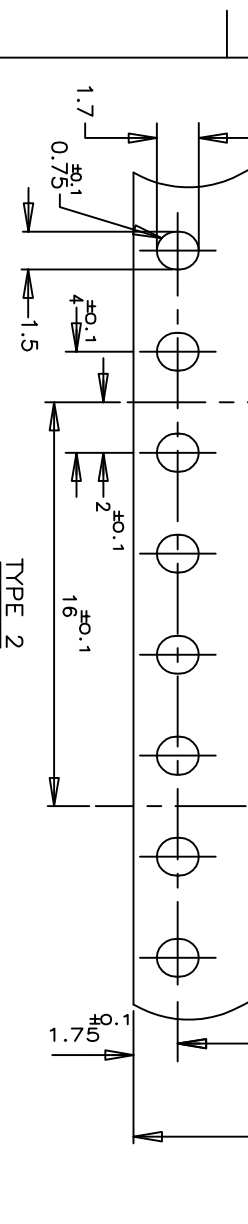
REV	DESCRIPTION	DATE	DWN	APVD
1				
2				
3				
4				



TYPE 3 FOR 7P ONLY
THREE KINDS OF DIFFERENT POCKETS AS 1 SET
USED FOR 7P ONLY



COLOR	BLACK					NATURAL				
	WITH PLATE	TAPE TYPE	TYPE OF BOSS	A	B	WITH PLATE	TAPE TYPE	TYPE OF BOSS	A	B
		TYPE 2	B	20.2	44	24	500	9	1	1-292173-9
		TYPE 3	B	14.2	32	20		7	1	-7
		TYPE 2	B	14.2	32	18		6	1	-6
		TYPE 3	B	11.5	24	16		5	1	-5
		TYPE 1	B		14	14		4	1	-4
		TYPE 1	A		12	12		3	1	-3
		TYPE 2	A	11.5	24	10		2	1	-2
		TYPE 2	B	20.2	44	24		9	0	-9
		TYPE 2	B	20.2	44	22		8	0	-8
		TYPE 3	B	14.2	32	20		7	0	-7
		TYPE 2	B	14.2	32	18		6	0	-6
		TYPE 2	B	11.5	24	16		5	0	-5
		TYPE 1	B		14	14		4	0	-4
		TYPE 1	A		12	12		3	0	-3



TOLERANCE UNLESS OTHERWISE SPECIFIED:
10> ±0.2
30> ±0.25
100> ±0.3
ANGLE ±3'

NOTES:
PEELING RESISTANCE : 0.196N~0.666N (20gf~70gf)
SPEED : 300mm/min

1470-19 (3/11)

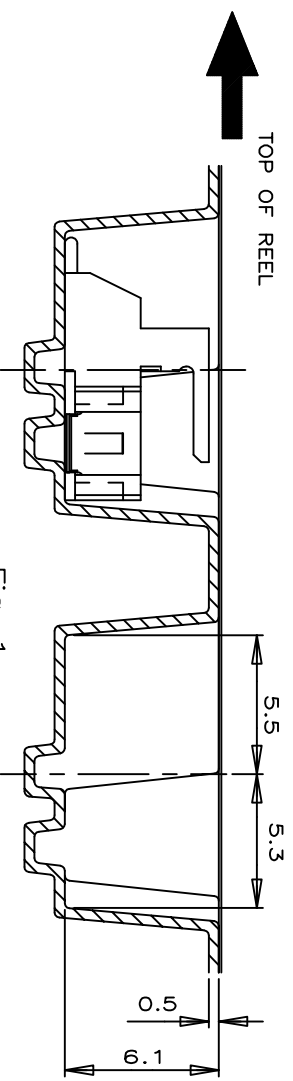
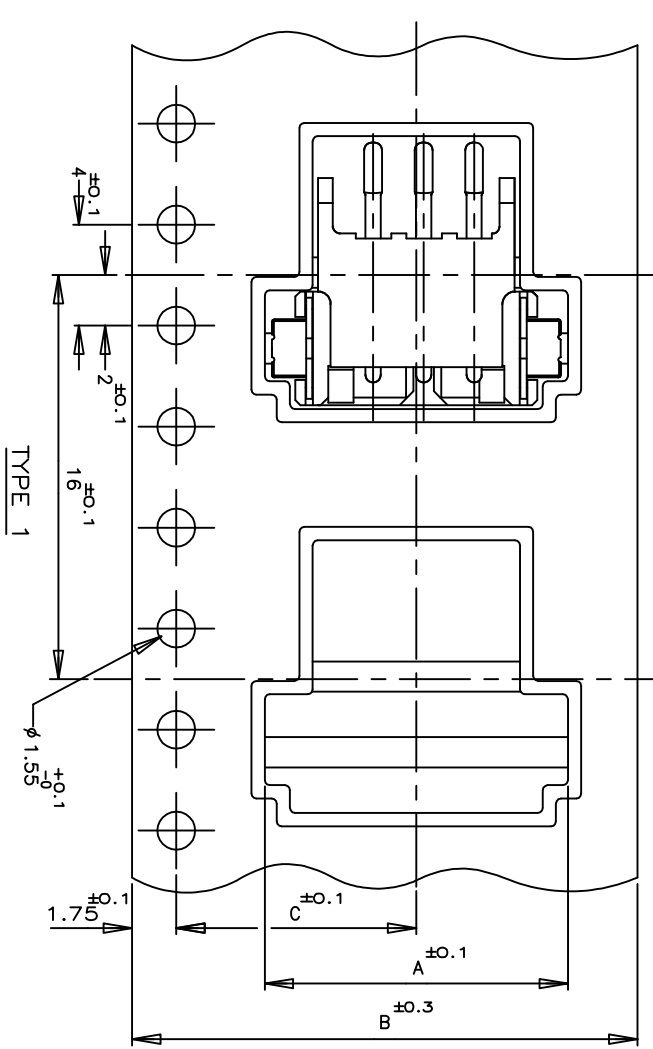
THIS DRAWING IS A CONTROLLED DOCUMENT.	
DWN	JACK HOU
CHK	MARTIN LI
APVD	STEVEN YAO
PRODUCT SPEC	
APPLICATION SPEC	
WEIGHT	
MATERIAL	

STE TE Connectivity
ON TAPING (EMBOSS)
TE CT CONNECTOR POST HEADER ASS'Y
(BOX-H SMT TYPE W/BOSS & TAIL)

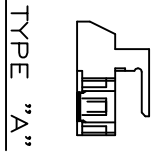
DWN	JACK HOU	21SEP10
CHK	MARTIN LI	21SEP10
APVD	STEVEN YAO	21SEP10
NAME		
SIZE	A3	
CAGE CODE	00779	
DRAWING NO	292173	
SCALE	1/1	SHEET 1 OF 6
REV	C3	

Loc	DIST	P	LTR	DESCRIPTION	DATE	DWN	APVD
ES	00	-	-	SEE SHEET 1	-	-	-

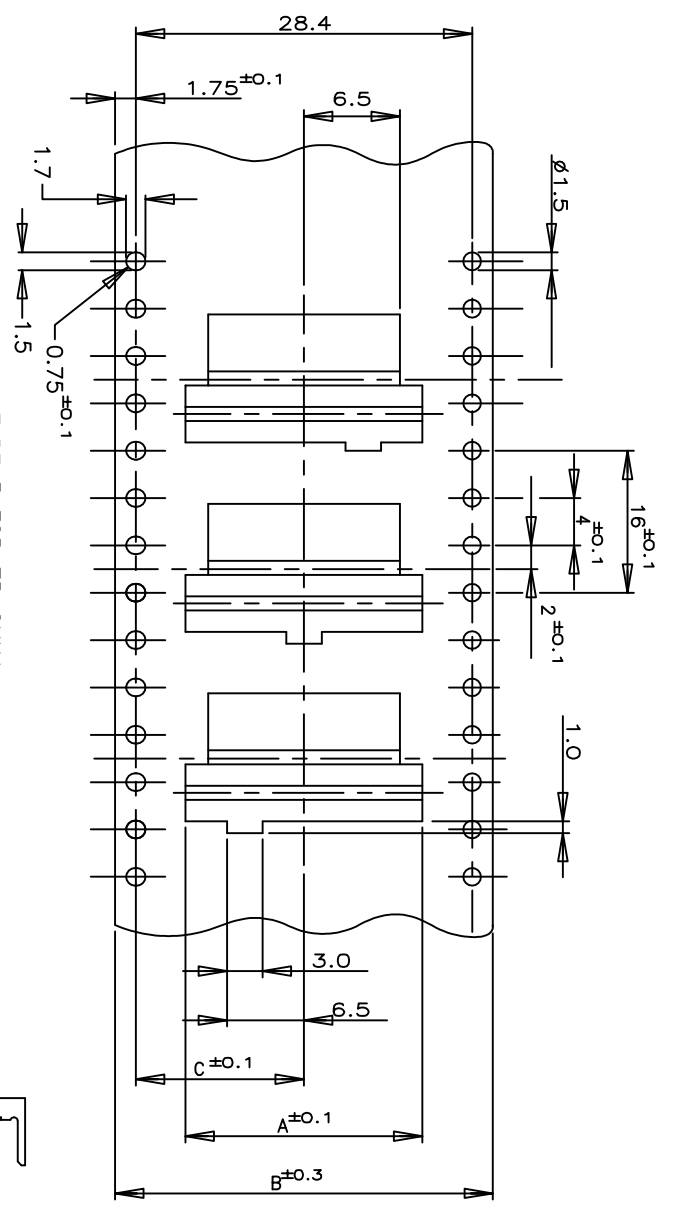
(AS SHOWN : 3P)



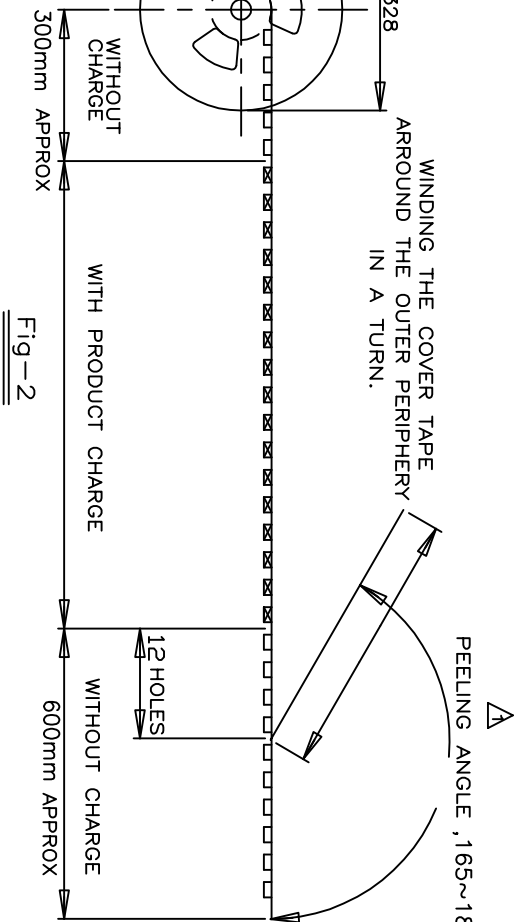
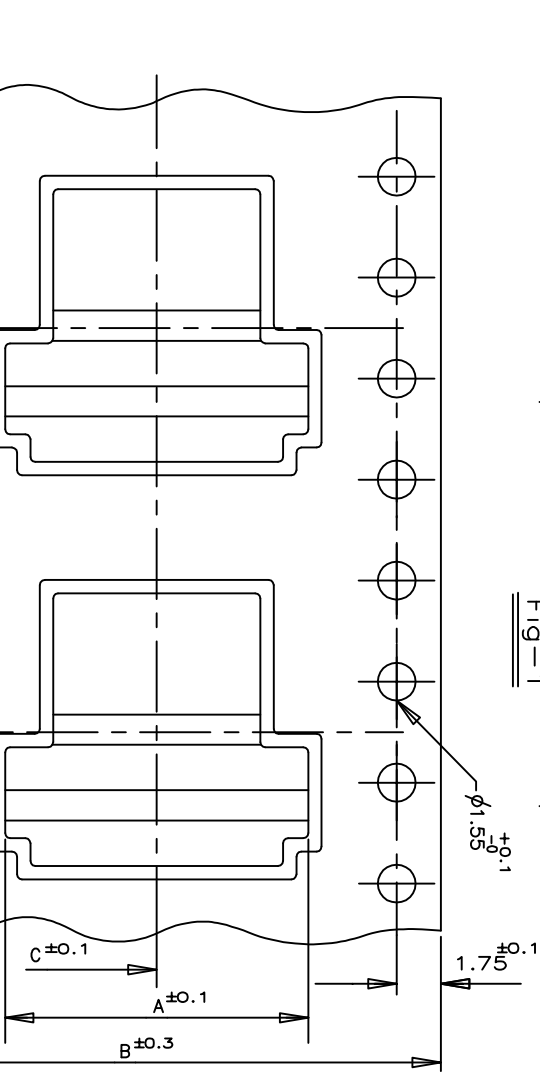
TYPE 3 FOR 7P ONLY
THREE KINDS OF DIFFERENT POCKETS AS 1 SET
USED FOR 7P ONLY



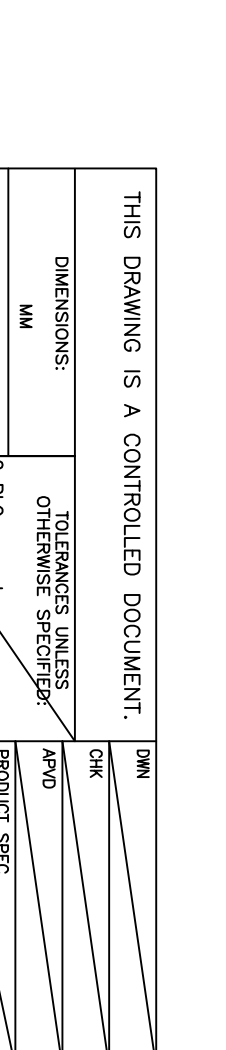
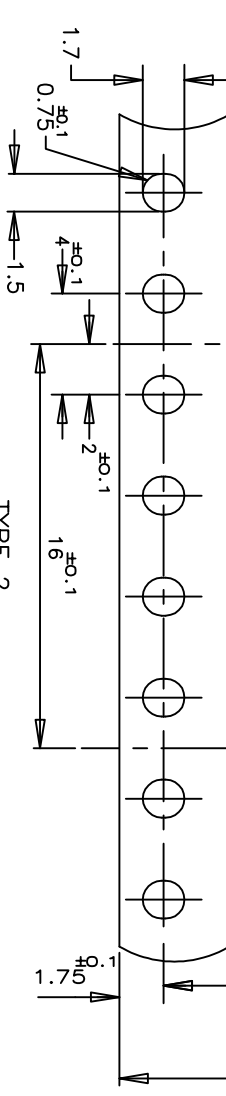
TYPE "A"



WINDING THE COVER TAPE AROUND THE OUTER PERIPHERY IN A TURN.
PEELING ANGLE, 165~180°
WITHOUT CHARGE
WITH PRODUCT CHARGE
WITHOUT CHARGE
300mm APPROX
600mm APPROX
12 HOLES



COLOR	WITH	TYPE	BLACK		NATURAL		QTY/ REEL	Pos	TAPING P/N
			PLATE	TYPE	PLATE	TYPE			
BLACK	TYPE 2	A	20.2	44	24	500	9	3-292173-9	
	TYPE 3	A	20.2	44	22	500	8	3-292173-8	
	TYPE 2	A	14.2	32	20	500	7	3-292173-7	
	TYPE 2	A	14.2	32	18	500	6	3-292173-6	
	TYPE 2	A	11.5	24	16	500	5	3-292173-5	
	TYPE 2	A	11.5	24	14	500	4	3-292173-4	
	TYPE 1	A	11.5	24	12	500	3	3-292173-3	
	TYPE 2	A	20.2	44	10	500	2	3-292173-2	
	TYPE 2	A	20.2	44	24	500	9	3-292173-9	
	TYPE 2	A	20.2	44	22	500	8	3-292173-8	
	TYPE 3	A	14.2	32	20	500	7	3-292173-7	
	TYPE 2	A	14.2	32	18	500	6	3-292173-6	
NATURAL	TYPE 2	A	11.5	24	16	500	5	3-292173-5	
	TYPE 2	A	11.5	24	14	500	4	3-292173-4	
	TYPE 1	A	11.5	24	12	500	3	3-292173-3	
	TYPE 2	A	20.2	44	10	500	2	3-292173-2	
	TYPE 2	A	20.2	44	24	500	9	3-292173-9	
	TYPE 2	A	20.2	44	22	500	8	3-292173-8	
	TYPE 3	A	14.2	32	20	500	7	3-292173-7	
	TYPE 2	A	14.2	32	18	500	6	3-292173-6	
	TYPE 2	A	11.5	24	16	500	5	3-292173-5	
	TYPE 2	A	11.5	24	14	500	4	3-292173-4	
	TYPE 1	A	11.5	24	12	500	3	3-292173-3	



WITH	TYPE	PLATE	TYPE	QTY/ REEL	Pos	TAPING P/N	
TYPE 2	A	11.5	24	10	500	2	2-292173-2
TYPE 2	A	11.5	24	12	500	3	2-292173-3
TYPE 2	A	11.5	24	14	500	4	2-292173-4
TYPE 2	A	11.5	24	16	500	5	2-292173-5
TYPE 2	A	14.2	32	18	500	6	2-292173-6
TYPE 2	A	14.2	32	20	500	7	2-292173-7
TYPE 2	A	20.2	44	22	500	8	2-292173-8
TYPE 2	A	20.2	44	24	500	9	2-292173-9

NOTES:
△ PEELING RESISTANCE : 0.196N-0.686N (20gf-70gf)
SPEED : 300mm/min

TOLERANCE UNLESS OTHERWISE SPECIFIED:
10>* :±0.2
30>* :±0.25
100>* :±0.3
ANGLE :±3°

THIS DRAWING IS A CONTROLLED DOCUMENT.

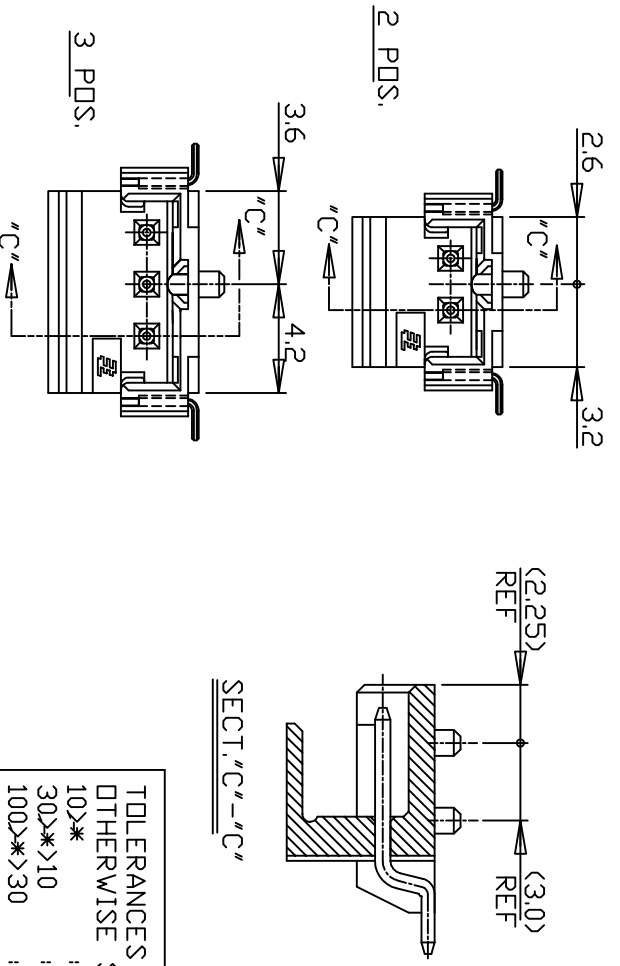
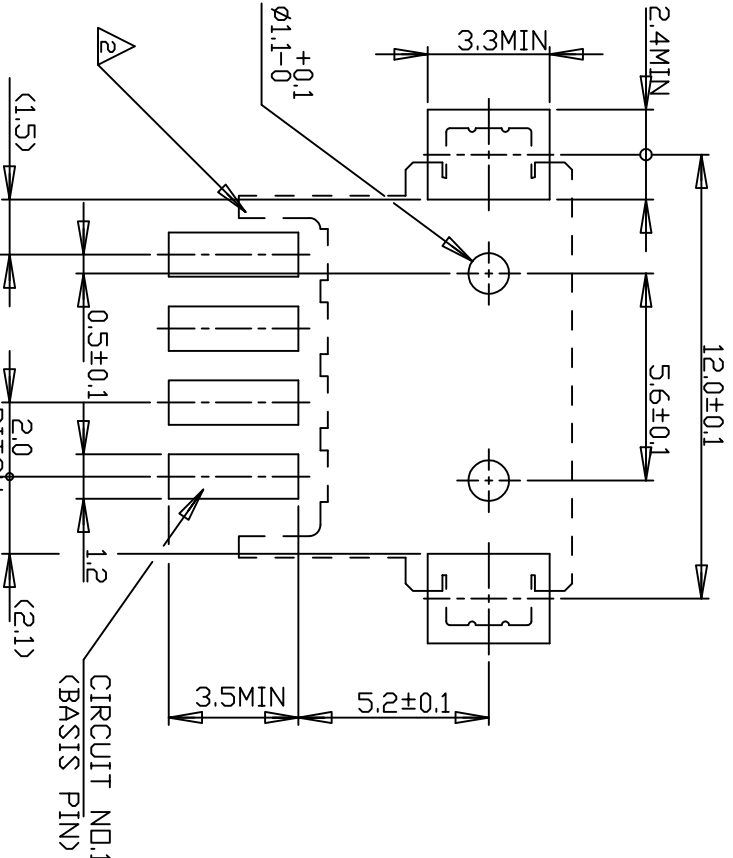
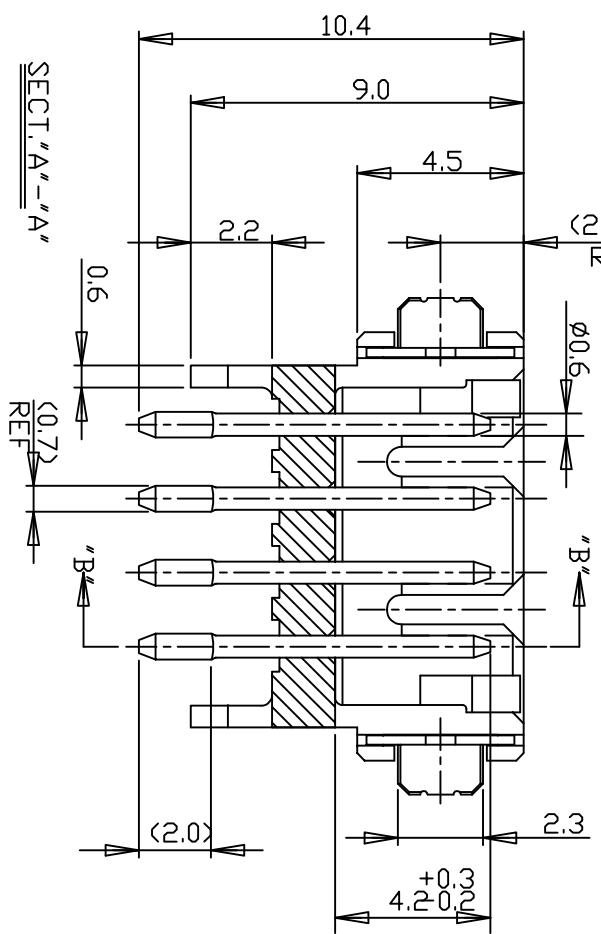
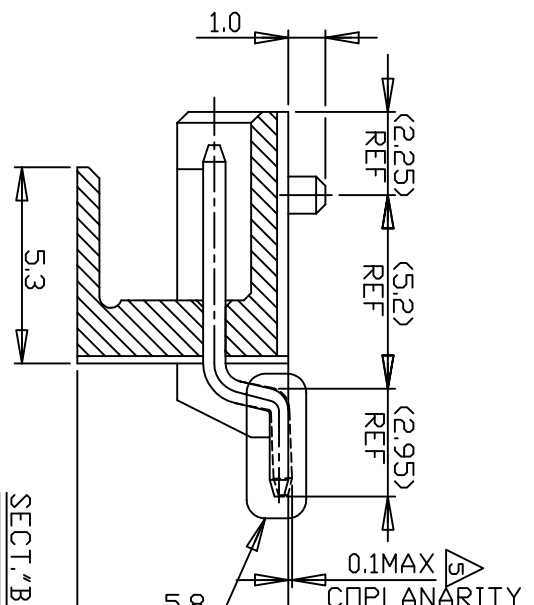
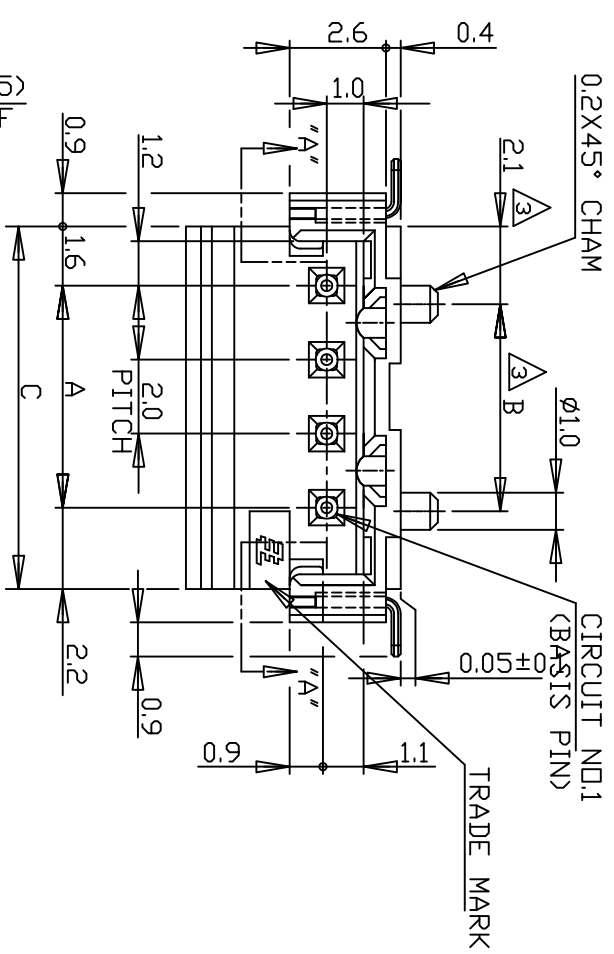
DIMENSIONS:	MM	TOLERANCES UNLESS OTHERWISE SPECIFIED:
0 PLC	±	
1 PLC	±	
2 PLC	±	
3 PLC	±	
4 PLC	±	
FINISH	±	

DMN	CHK	APVD	NAME	ON TAPING (EMBOSS)
			TE CT CONNECTOR POST HEADER ASS'Y	
			(BOX-H SMT TYPE W/O BOSS & W/ TAIL)	
MATERIAL	WEIGHT	CUSTOMER DRAWING	SIZE	A3
			CAGE CODE	00779
			DRAWING NO	292173
			SCALE	1:1
			SHEET	2 OF 6
			REV	C3

Loc	DIST	P	LTR	DESCRIPTION	DATE	DWN	APVD
ES	00	-	-	SEE SHEET 1	-	-	-

REVISIONS

(AS SHOWN : -4)



- NOTES:
1. MATERIAL:HSG-6T PKG.F.30%XUL94V-0)
 COLOR:BLACK,NATURAL
 POST: TIN BRASS
 TAIL: TIN BRASS
 OCCUPANT AREA DN PC BOARD
 4P&ABOVE PDS.
 2P&3P
 TO BE MEASURED WITH CONNECTOR PLACED
 ON HORIZONTAL DATUM SURFACE,FLDAT OF
 SOLDER TINE AND TAIL FRDM DATUM
 SURFACE IS 0.1mm MAX

A	B	C	D	POS.	NATURAL	BLACK
16.0	15.6	19.8	22.0	9	1-292173-9	292173-9
14.0	13.6	17.8	20.0	8	1-8	-8
12.0	11.6	15.8	18.0	7	1-7	-7
10.0	9.6	13.8	16.0	6	1-6	-6
8.0	7.6	11.8	14.0	5	1-5	-5
6.0	5.6	9.8	-	4	1-4	-4
4.0	-	7.8	-	3	1-3	-3
2.0	-	5.8	-	2	1-292173-2	292173-2



TE Connectivity

SMT TYPE POST HDR ASS'Y (H)
 WITH BOSS & TAIL TYPE
 (TE CT CONN. 2mm PITCH)

THIS DRAWING IS A CONTROLLED DOCUMENT.

DIMENSIONS: MM	TOLERANCES UNLESS OTHERWISE SPECIFIED:	DMN	CHK	APVD	NAME
SEE NOTE	SEE NOTE	-	-	-	-

MATERIAL	FINISH	WEIGHT
SEE NOTE	SEE NOTE	-

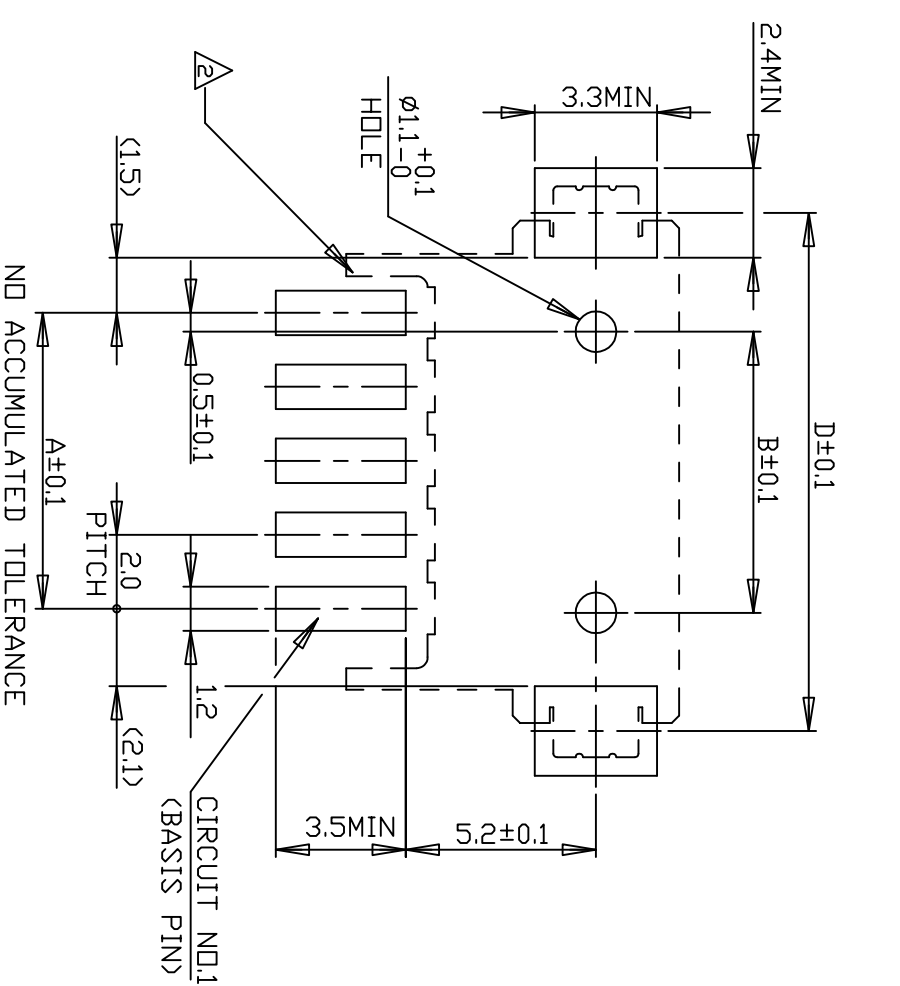
PRODUCT SPEC: 108-60016
 APPLICATION SPEC: -
 CUSTOMER DRAWING: -

SIZE: A3
 CAGE CODE: 00779
 DRAWING NO: 292173
 SCALE: 5:1
 SHEET: 3 OF 6
 REV: C3

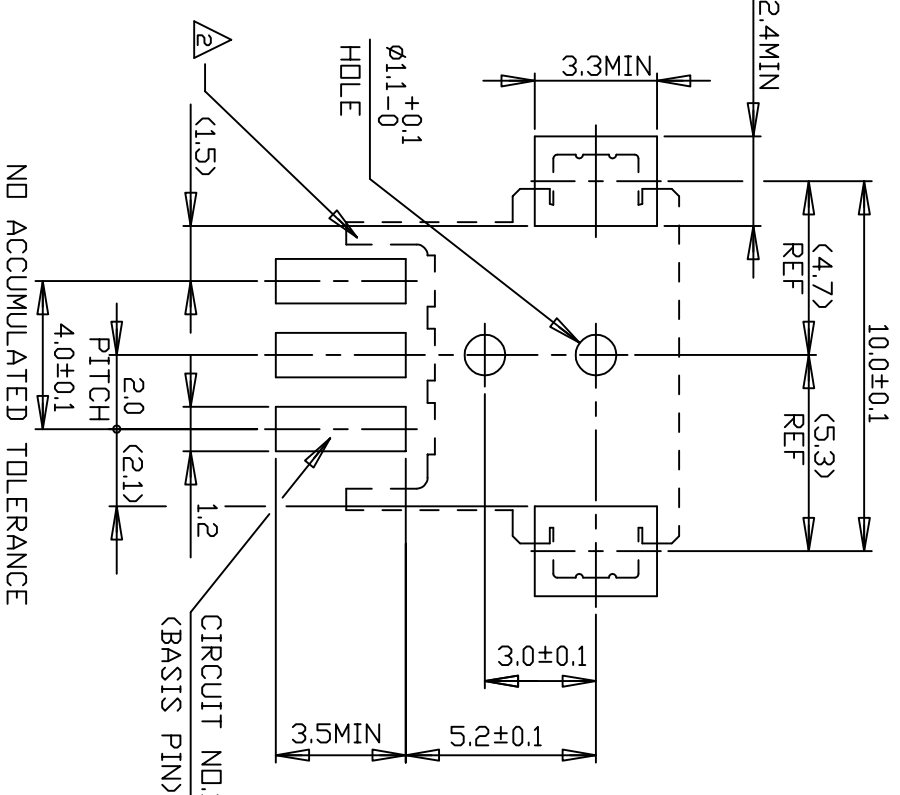
TOLERANCES UNLESS OTHERWISE SPECIFIED:
 10>* : ±0.2
 30>* >10 : ±0.25
 100>* >30 : ±0.3
 ANGEL : ±3°

Loc	DIST	REVISIONS	DATE	DWN	APVD
ES	00				
P	LTR	DESCRIPTION			
-	-	SEE SHEET 1			

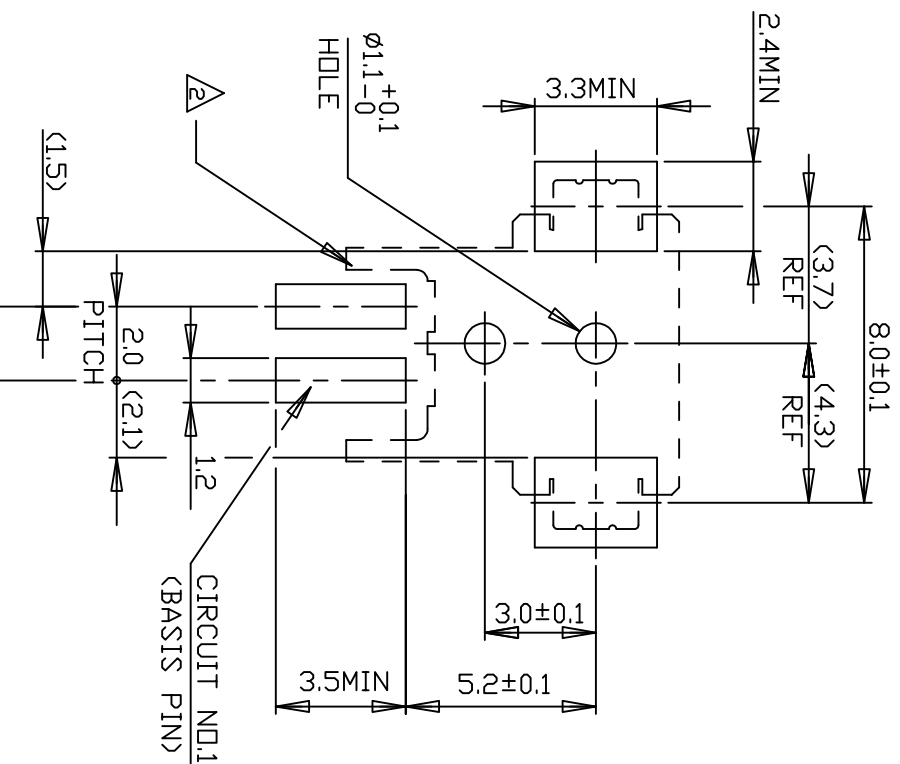
LAYOUT FOR 292173-X,1-292173-X



5 POS. & ABOVE POS.

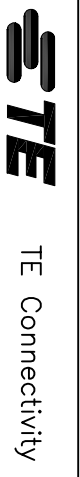


3 POS.



2 POS.

RECOMMENDED P.C. BOARD LAYOUT
(P.C.B THK:0.8mm MIN)

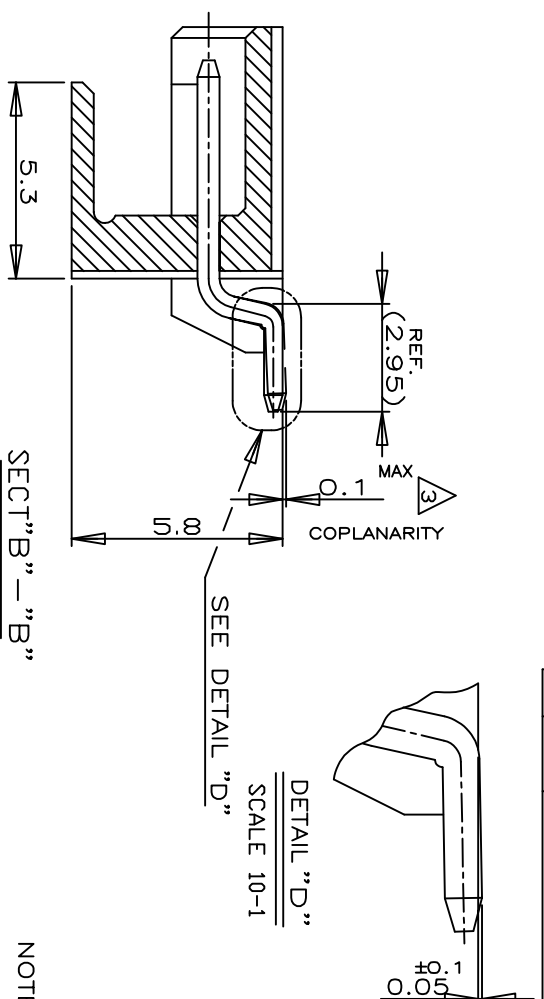
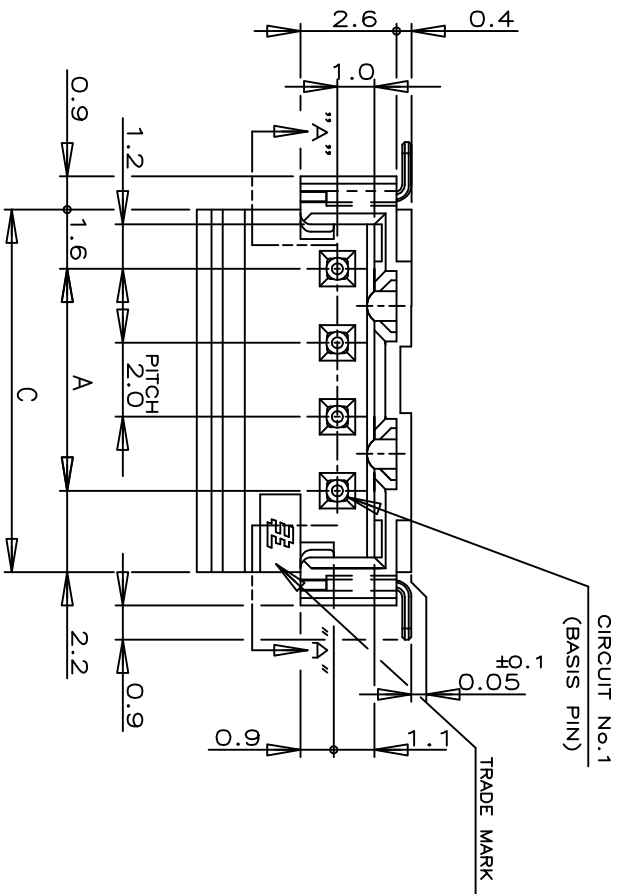


TE Connectivity

SMT TYPE POST HDR ASS'Y (H)
WITH BOSS & TAIL TYPE
(TE CT CONN. 2mm PITCH)

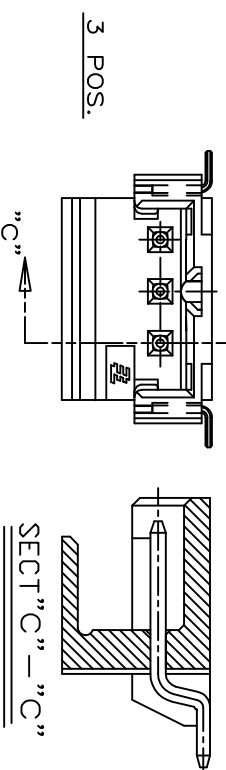
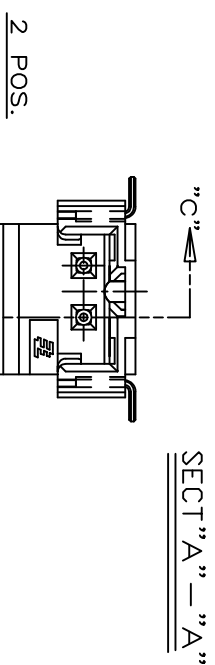
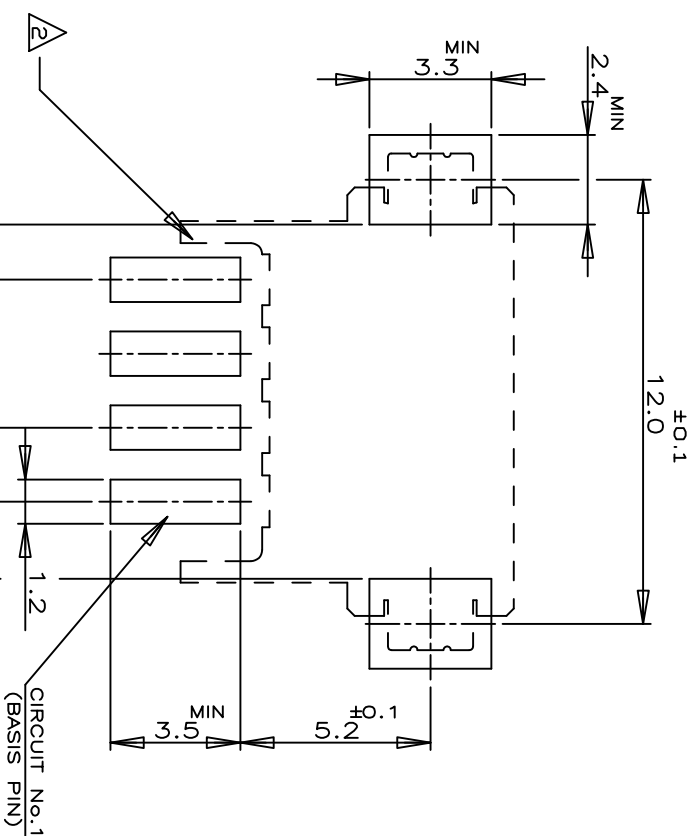
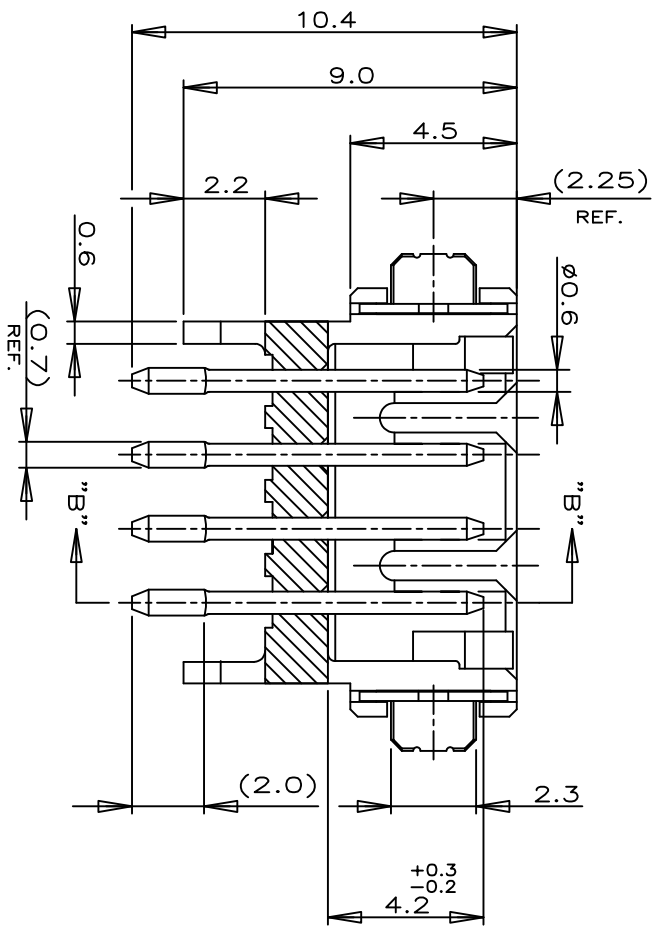
THIS DRAWING IS A CONTROLLED DOCUMENT.		DWN	-	NAME	SMT TYPE POST HDR ASS'Y (H) WITH BOSS & TAIL TYPE (TE CT CONN. 2mm PITCH)		
DIMENSIONS: MM		CHK	-	APVD	SIZE	A3	RESTRICTED TO
TOLERANCES UNLESS OTHERWISE SPECIFIED:		PRODUCT SPEC	-	APPLICATION SPEC	CAGE CODE	00779	
0	PLC	±	-	WEIGHT	DRAWING NO	292173	
1	PLC	±	-	CUSTOMER DRAWING	SCALE	5:1	
2	PLC	±	-		SHEET	4 OF 6	
3	PLC	±	-		REV	C3	
4	PLC	±	-				
FINISH							
MATERIAL							

(AS SHOWN :4P)



NOTES:

- MATERIAL : HSG-6T PA(G.F.30%)(UL94V-0)
COLOR:BLACK,NATURAL
POST:TIN BRASS
TAIL: TIN BRASS
- 2 OCCUPANT AREA ON PC BOARD
TO BE MEASURED WITH CONNECTOR PLACED ON HORIZONTAL DATUM SURFACE,FLOAT OF SOLDER TINE AND TAIL FROM DATUM SURFACE IS 0.1mm MAX



RECOMMENDED P.C.BOARD LAYOUT
(P.C.B THK:0.8mm MIN)

16.0	19.8	22.0	9	3-292173-9	2-292173-9
14.0	17.8	20.0	8	3-8	2-8
12.0	15.8	18.0	7	3-7	2-7
10.0	13.8	16.0	6	3-6	2-6
8.0	11.8	14.0	5	3-5	2-5
6.0	9.8	-	4	3-4	2-4
4.0	7.8	-	3	3-3	2-3
2.0	5.8	-	2	3-292173-2	2-292173-2
A	C	D	Pos.	NATURAL	BLACK

STE TE Connectivity

SMT TYPE POST HDR ASS'Y (BOX-H)

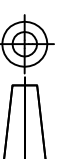
W/O BOSS,WITH TAIL TYPE
(TE CT CONN. 2mm PITCH)

NAME
SIZE
CAGE CODE
DRAWING NO
RESTRICTED TO

DWN
CHK
APVD
PRODUCT SPEC
APPLICATION SPEC
WEIGHT
CUSTOMER DRAWING
SCALE
SHEET
REV

THIS DRAWING IS A CONTROLLED DOCUMENT.

DIMENSIONS:
MM



TOLERANCES UNLESS OTHERWISE SPECIFIED:
 10>* ±0.2
 30>* ±0.25
 100>* ±0.3
 ANGEL ±3°

TOLERANCES UNLESS OTHERWISE SPECIFIED:
0 PLC
1 PLC ±
2 PLC ±
3 PLC ±
4 PLC ANGLES ±

FINISH
SEE NOTE

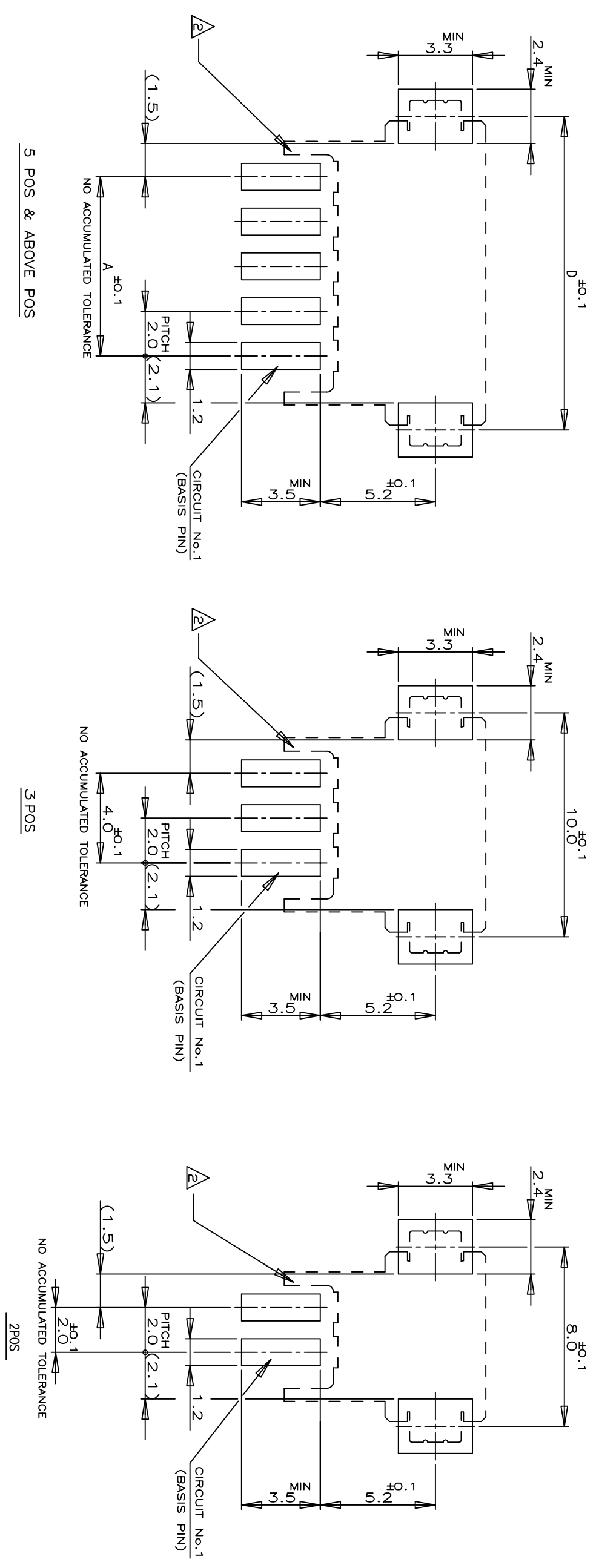
APVD
PRODUCT SPEC
APPLICATION SPEC

WEIGHT
CUSTOMER DRAWING

SCALE
SHEET
REV

Loc	DIST	P	LTR	DESCRIPTION	DATE	DWN	APVD
ES	00	-	-	SEE SHEET 1	-	-	-

LAYOUT FOR 2-292173-X,3-2-292173-X



RECOMMENDED P.C.BOARD LAYOUT
(P.C.B THK:0.8mm MIN)

THIS DRAWING IS A CONTROLLED DOCUMENT.

DIMENSIONS: MM	TOLERANCES UNLESS OTHERWISE SPECIFIED:	DMN	NAME
0 PLC	±	CHK	<p>TE Connectivity</p> <p>SMT TYPE POST HDR ASS'Y (H) W/O, WITH TAIL TYPE (TE CT CONN. 2mm PITCH)</p>
1 PLC	±	APVD	
2 PLC	±	PRODUCT SPEC	
3 PLC	±	APPLICATION SPEC	
4. P.C.B ANGLES	±	WEIGHT	SIZE
FINISH	±	CUSTOMER DRAWING	A3
			CAGE CODE
			00779
			DRAWING NO
			292173
			SCALE
			5:1
			SHEET
			6 OF 6
			REV
			C3



Компания «ЭлектроПласт» предлагает заключение долгосрочных отношений при поставках импортных электронных компонентов на взаимовыгодных условиях!

Наши преимущества:

- Оперативные поставки широкого спектра электронных компонентов отечественного и импортного производства напрямую от производителей и с крупнейших мировых складов;
- Поставка более 17-ти миллионов наименований электронных компонентов;
- Поставка сложных, дефицитных, либо снятых с производства позиций;
- Оперативные сроки поставки под заказ (от 5 рабочих дней);
- Экспресс доставка в любую точку России;
- Техническая поддержка проекта, помощь в подборе аналогов, поставка прототипов;
- Система менеджмента качества сертифицирована по Международному стандарту ISO 9001;
- Лицензия ФСБ на осуществление работ с использованием сведений, составляющих государственную тайну;
- Поставка специализированных компонентов (Xilinx, Altera, Analog Devices, Intersil, Interpoint, Microsemi, Aeroflex, Peregrine, Syfer, Eurofarad, Texas Instrument, Miteq, Cobham, E2V, MA-COM, Hittite, Mini-Circuits, General Dynamics и др.);

Помимо этого, одним из направлений компании «ЭлектроПласт» является направление «Источники питания». Мы предлагаем Вам помощь Конструкторского отдела:

- Подбор оптимального решения, техническое обоснование при выборе компонента;
- Подбор аналогов;
- Консультации по применению компонента;
- Поставка образцов и прототипов;
- Техническая поддержка проекта;
- Защита от снятия компонента с производства.



Как с нами связаться

Телефон: 8 (812) 309 58 32 (многоканальный)

Факс: 8 (812) 320-02-42

Электронная почта: org@eplast1.ru

Адрес: 198099, г. Санкт-Петербург, ул. Калинина, дом 2, корпус 4, литера А.