

ALFAT SoC Processor

Rev. 1.13

Date: October 18, 2012

User Manual

A high performance FAT file system SoC processor with dual USB Host interfaces and 4-bit SD interface. Controlled through UART, SPI or I2C.



FAT16/32
With LFN



Document

Information	Description
Abstract	ALFAT SoC processor concept, pin-out, specifications, commands, hardware integration guide and full information needed to implement a solution using this processor.
Firmware	V1.08

Document Revision History		
Rev No.	Date	Modification
Rev 1.13	10/03/12	Fixed a mistake in SPI Interface Read Transaction description
Rev 1.12	09/25/12	Fixed I2C Interface section
Rev 1.11	08/13/12	Updated ALFAT design reference schematics: C16, C17 Fixed SPI interface "Response byte to Frame Type". The value should be ignored. Added RTC crystal specifications to Hardware integration guide section
Rev 1.10	07/10/12	Added important notes to Full Speed / High Speed with ULP1 PHY section . Added an important note to " I Initialize command " concerning USB1 Initialization. Added new features to J command .
Rev 1.09	06/21/12	Some SD cards do not work with high clock frequency SD-bus. " I Initialize command " is modified to set different clock frequencies. ALFAT command's terminator can be LF('\n') or CR ('\r'). Fixed " ? Find File or Folder command " date format. Clarified I2C addressing
Rev 1.08	06/05/12	Clarified card detect and write protection signals in the pin-out and Initialize command sections. Added Card Detect and Write Protect signals section.
Rev 1.07	06/01/12	Minor spelling errors.
Rev 1.06	05/29/12	Edited SPI Bus configuration section. Added L command (Fast Write) , SPI DMA receive channel. Added new features to Z command . Added new features to J command . Added CD and WP pin description to pin-out table. Fixed #WAKEUP pin description
Rev 1.05	05/11/12	Added integration guide and updated performance section .
Rev 1.04	04/16/12	Major changes to ALFAT access interface section (UART, SPI and I2C) to match firmware version 1.03. Busy pin is required to be monitored. Fixing B and K command description.
Rev 1.03	03/19/12	Fixes to multiple typos. Clarifying some ambiguous points.
Rev 1.02	03/15/12	Adding 6.4.Updating the firmware using a terminal console Fixes to 8.2.ALFAT SD board pin-mount tables

Document Revision History		
Rev No.	Date	Modification
Rev 1.01	03/08/12	Updates to 4.3.SPI interface mode section Updates to 6.2.Firmware Updater App
Rev 1.00	02/15/12	Preliminary document

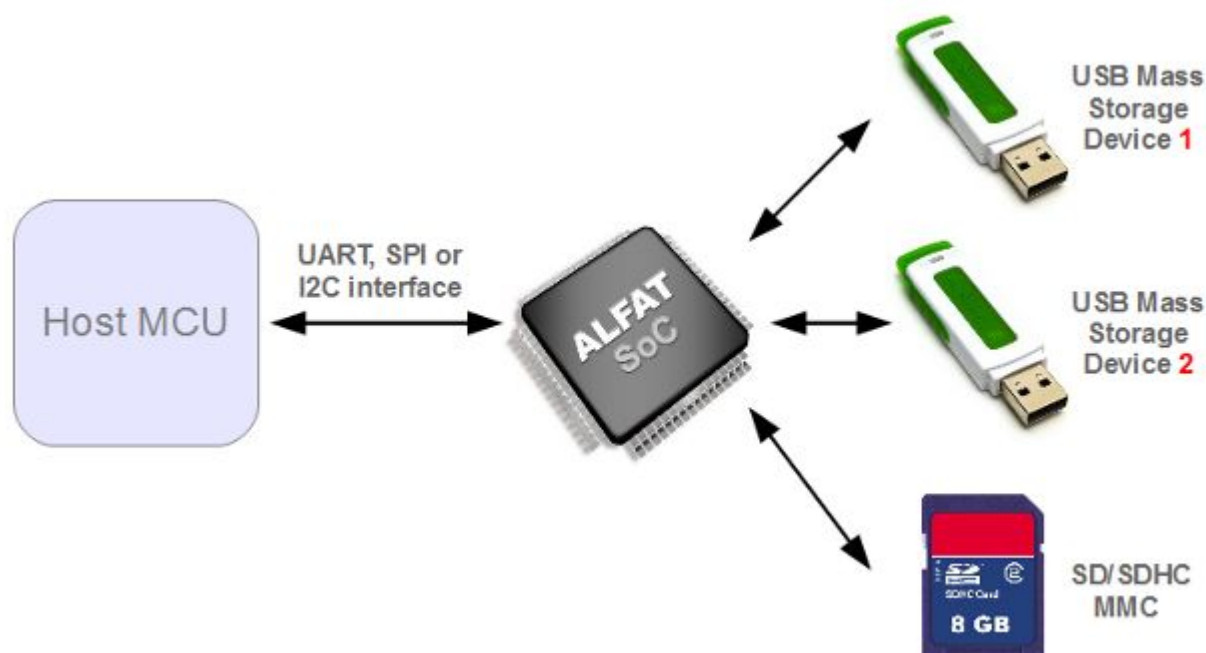
Table of Contents

1.Introduction.....	5	W - Write to File.....	29
1.1.ALFAT SoC processor Concept.....	5	L- Fast Write to File (SPI mode only).....	29
1.2.Example applications.....	6	F - Flush File Data.....	31
1.3.Key features.....	6	C - Close File.....	31
2.Architecture.....	7	P - File Seek.....	31
2.1.Commander.....	8	Y - File Tell.....	32
2.2.FAT File System Engine.....	8	D - Delete File or Folder.....	32
2.3.Memory Card Access (SDHC, SD or MMC).....	8	? - Find File or Folder.....	33
2.4.USB Mass Storage Access.....	9	M - Copy From File to Another	33
2.5.Boot Loader.....	9	A - Rename file	34
3.Package and Pin-Out	10	E - Test Media Speed.....	34
4.ALFAT access interface.....	13	Q – Format.....	35
4.1.Selecting the access interface.....	13	6.Boot Loader and firmware update.....	36
4.2.UART Interface.....	13	6.1.General Description.....	36
UART configurations.....	14	6.2.Firmware Updater App.....	36
4.3.SPI Interface Mode.....	14	6.3.Boot Loader Commands.....	38
Write Transaction.....	14	6.4.Updating the firmware using a terminal console...38	
Read Transaction.....	15	7.Hardware integration guide.....	41
SPI DMA receive channel.....	16	7.1.Power Source.....	41
SPI Bus Configurations.....	16	7.2.Crystals.....	41
4.4.I2C Interface Mode.....	17	7.3.Card Detect and Write Protect signals.....	42
I2C Bus Configuration.....	17	7.4.Full Speed / High Speed with ULPI PHY.....	42
5.ALFAT Command Set.....	19	7.5.Real Time Clock.....	43
V - Get Version Number.....	20	7.6.Bootloader Access.....	44
# - Enable Echo.....	20	7.7.Electrical characteristics.....	44
Z - Set Low Power Mode.....	20	8.ALFAT Off-the-shelf Circuit Boards.....	45
T - Initialize Real Time Clock.....	21	8.1.ALFAT OEM Board.....	45
S - Set Current Time and Date.....	22	ALFAT OEM Pinout.....	45
G - Get Current Time and Date.....	22	8.2.ALFAT SD Board.....	46
B - Set UART Baud Rate.....	22	ALFAT SD Pin-out.....	46
I - Initialize and Mount MMC/SD or USB.....	22	9.Conditions of Use and Performance.....	48
J - Read Status Register.....	24	9.1.Selecting the Right Storage Media.....	48
K - Get Free Size.....	25	9.2.File Access Speed.....	48
@ - Initialize Files and Folders List.....	25	9.3.Serial Interface Speed Overhead.....	49
N - Get Next Directory Entry.....	26	10.Error Codes.....	50
O - Open File for Read, Write or Append.....	27	DISCLAIMER.....	51
R - Read from File.....	28		

1. Introduction

1.1. ALFAT SoC processor Concept

Adding FAT file system to products requires a lot of resources from the system and needs intensive development efforts. This also requires USB Host drivers and SD memory drivers to be able to access storage medias such as SD cards or USB Mass Storage devices. Additionally, licensing patented technologies, such as LFN is a lengthy and expensive process. Thanks to ALFAT SoC Processor, any simple system can now access files on SD cards and USB memory drives in a very short time, with minimal resources through simple UART, SPI or I2C interface. ALFAT SoC processor is capable of accessing two USB mass storage devices and one memory card simultaneously. This gives the user unique features such as copying data from one media to another.



The Host MCU controls ALFAT through simple commands sent through UART (serial), SPI or I2C. The commands give the host MCU the ability to access files on the storage media. With ALFAT, file access rate can reach 4000 KBytes/sec.

An important advantage of ALFAT is that supports Long File Name **LFN** and it is licensed by Microsoft for commercial use. Solutions that depends on ALFAT can use LFN commercially without the need for any additional licensing.

1.2. Example applications

- High speed Data loggers.
- Automated Machinery.
- Digital picture viewer.
- Consumer products.

1.3. Key features

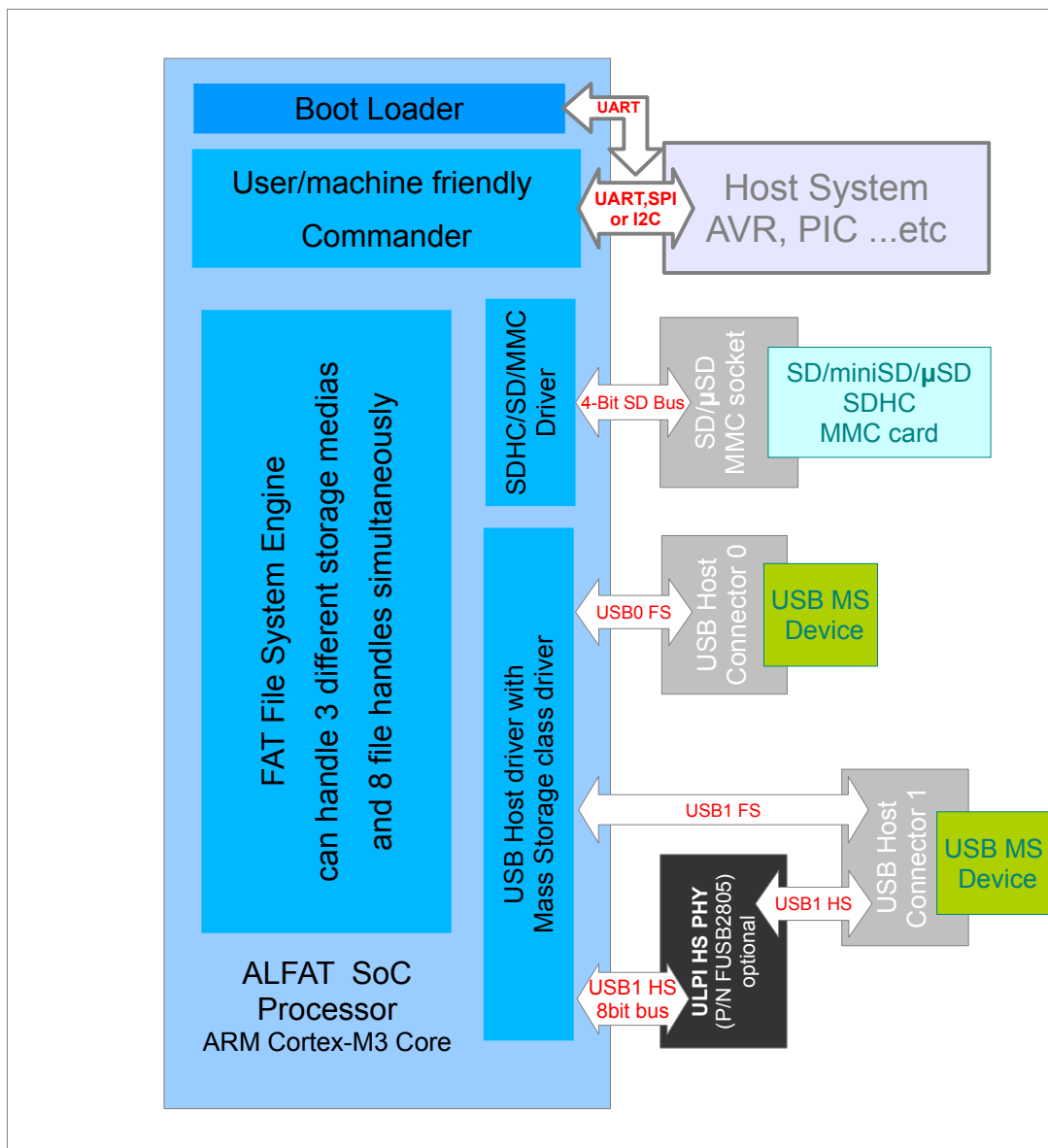
- Built-in 2-port USB Host controller.
- FAT16 and FAT32 File system.
- No limits on media size, file size or file/folder count.
- LFN (Long File Name), licensed by Microsoft.
- Friendly user interface through UART,SPI or I2C.
- Programmable UART baud-rate.
- Up to 8 simultaneous file access.
- SD/SDHC card support, no 2GB limit. **GHI electronics is an SD association member.**
- MMC card support.
- Built-in 2x USB 2.0 FS PHY USB, 12mbps.
- One USB ports is capable of HS 480mbps through external ULPI PHY.
- High speed 4-bit SD card interface.
- Up to 4000 KBytes/sec file access speed on SD cards.
- Up to 4000 KBytes/sec file access speed on USB (with ULPI HS PHY).
- Up to 1000 KBytes/sec file access speed on USB Full Speed (no ULPI HS PHY).
- RTC (Real Clock Time) with separate power domain.
- All I/O pins are 5 volt tolerant **EXCEPT RESET PIN.**
- Small surface mount package, LQFP 64 pin.
- Single 3.3V power source.
- Low power consumption, 38mA fully operational and 5mA in hibernate.
- -40°C to +85°C operational temperature.
- RoHS Compliant/Lead free.



2. Architecture

ALFAT SoC processor is an ARM Cortex-M3 processor that runs a robust file system engine with SD and USB host (mass storage) drivers. The processor access storage media through its 4-bit SD interface and two USB host 2.0 interface. One of the USB host ports is capable running at high speed 480mbps with external ULPI HS PHY chip.

ALFAT SoC processor provides 3 different standard access interfaces for the host system, UART, SPI or I2C.



2.1. Commander

The function of the commander is to provide the user with a protocol and a set of commands to control the processor and access the files on the storage devices.

The physical interface that the user (the host system) can use to access the commander is UART, SPI or I2C serial port.

Commands are human-readable ASCII format. This allows for easier development and troubleshooting. But at the same time, the commands are designed to be easy to parse by the the host software.

2.2. FAT File System Engine

The function of the file system engine is to handle accessing the file system according to FAT standards. It has been optimized for high speed access and with high performance.

Here are some of the capabilities of this engine:

- FAT16, FAT32.
- Licensed Long File Names support. Licensed to be used on ALFAT by Microsoft.
- Access up to 16 opened files simultaneously.
- Complete directories (folders) support.
- File access functions include read, write, append, seek, tell, find, delete, remove folder ...etc.
- High speed read or write access, up to 4000KBytes/sec.
- No limits on media size, file size or file/folder count.

It is important to note here that the 16 file handle limit is only on how many simultaneous files are open. ALFAT SoC processor Has no limits on how many files can be opened and closed.

2.3. Memory Card Access (SDHC, SD or MMC)

ALFAT SoC processor includes memory card driver internally that supports SD, SDHC and MMC cards. This gives ALFAT the ability to access a wide range of memory cards such as standard or high capacity SD/ μ SD cards or multimedia cards. There is no limit on the card capacity.

Unlike typical solutions that access the card through SPI-based interface, ALFAT's hardware provides a 4-bit SD bus interface for higher performance.



GHI Electronics is a member of SD association.

2.4. USB Mass Storage Access

ALFAT SoC processor is capable of accessing FAT file system files on USB mass storage devices. The hardware provides two standard Full Speed* USB 2.0 compatible host interfaces (USB0 and USB1) that use the internal USB PHY. Only 22ohm resistors and USB host connector is needed.



USB1 interface is also capable of running in USB 2.0 High Speed mode by adding ULPI High Speed+ PHY chips like FUSB2805. This options quadruples the file system access speed.

**Full-Speed USB 2.0 is 12mbps.*

**High-Speed USB 2.0 is 480mbps.*

2.5. Boot Loader

The boot loader is a piece of software that boots the system up. It verifies and runs ALFAT firmware. Also It gives the hosting system an interface for firmware maintenance.

GHI Electronics regularly maintains ALFAT firmware with improvements and bug fixes. ALFAT boot loader allows the hosting system to update the firmware.

The boot loader can only be accessed through the UART port and it uses XMODEM 1K to transfer the firmware file to ALFAT. Boot Loader and firmware update section explain this in more details.

3. Package and Pin-Out

ALFAT SoC package is standard 10x10mm LQFP64. The following Table illustrates a brief description of ALFAT SoC processor pins.

Pin	Name	Description
1	VBAT	Power source for the internal RTC. Connect to 3V battery or VCC. Always use 2 diodes to connect a battery and VCC in case the battery runs out of power. VBAT works 1.65V to 3.6V. If RTC is not needed, connect to VCC
2	NC	Should not be connected
3	OSC32_IN	Pin 1 for the 32.768KHz crystal, for the real time clock. Optional
4	OSC32_OUT	Pin 2 for the 32.768KHz crystal, for the real time clock. Optional
5	OSC_IN	Pin 1 for parallel-cut 12MHz system crystal. 10pF to 20pF is recommended
6	OSC_OUT	Pin 2 for 12MHz system crystal
7	RESET	Reset signal, the pin pulled up internally. Active Low. THIS PIN IS NOT 5VOLT TOLERANT
8	USB1_ULPI_STP	USB High Speed PHY signal. Do not connect if PHY is not used
9	NC	Should not be connected
10	USB1_ULPI_DIR	USB High Speed PHY signal. Do not connect if PHY is not used
11	USB1_ULPI_NXT	USB High Speed PHY signal. Do not connect if PHY is not used
12	VSSA	Ground
13	VDDA	3.3V Power source
14	WAKEUP	Wake up ALFAT, check power mode command Z for more details
15	NC	Should not be connected
16	NC	Should not be connected
17	USB1_ULPI_D0	USB High Speed PHY signal. Do not connect if PHY is not used
18	VSS1	Ground
19	VDD1	Power, 3.3V
20	ACTIVE	Active signal indicates the current status of command processing. Useful for a system-activity-LED, max 8mA. On UART: Active pin is high when a command is received and

Pin	Name	Description
		being processed. Low when command is complete. Note: The command is considered complete when ALFAT is done sending the response to the command. This is automatically completed in UART but SPI and I2C are slaves so ACTIVE pin will go low after the master reads the response. It is completely safe to ignore this signal and keep it not connected.
21	USB1_ULPI_CK	USB High Speed PHY signal. Not connected if PHY is not used
22	SPI_MISO UART_BUSY	MISO SPI interface and UART BUSY pin, 5V tolerant
23	SPI_MOSI	MOSI SPI interface, 5V tolerant
24	WP	SD Write protection signal input. Low = card not protected. Note: WP MUST be connected to ground if Write protection signal is not used in the hardware design.
25	CD	Memory Card Detect signal input. Low = card detected. Note: CD MUST be connected to ground if Card Detect signal is not used in the hardware design.
26	USB1_ULPI_D1	USB High Speed PHY signal. Do not connect if PHY is not used
27	USB1_ULPI_D2	USB High Speed PHY signal. Do not connect if PHY is not used
28	BOOT1	Add a 10K resistor to ground.
29	USB1_ULPI_D3	USB High Speed PHY signal. Do not connect if PHY is not used
30	USB1_ULPI_D4	USB High Speed PHY signal. Do not connect if PHY is not used
31	VCAP_1	Connect to a 22uF to ground
32	VDD1	Power, 3.3V
33	USB1_ULPI_D5	USB High Speed PHY signal. Do not connect if PHY is not used
34	USB1_ULPI_D6	USB High Speed PHY signal. Do not connect if PHY is not used
35	USB1_DM	Data Minus, USB Port 1. This is only used if no HS PHY is installed. NC if PHY is used. Add 22ohm resistor in series if used
36	USB1_DP	Data Plus, USB Port 1. This is only used if no HS PHY is installed. NC if PHY is used. Add 22ohm resistor in series if used
37	NC	Should not be connected
38	NC	Should not be connected
39	SD_D0	D0, 4-bit SD Bus. Add a 47K resistor between this pin and VDD
40	SD_D1	D1, 4-bit SD Bus. Add a 47K resistor between this pin and VDD

Pin	Name	Description
41	ULPI_19_2MHZ	This pin generates 19.2MHz clock. It is usually used to clock the USB High Speed PHY
42	UART_TX	TX UART interface, 5V tolerant
43	UART_RX SPI_BUSY I2C_BUSY	RX UART interface BUSY pin for SPI and I2C, 5V tolerant Add a 10K resistor between this pin and VDD
44	USB0_DM	Data Minus, USB Port 0. Add 22ohm resistor in series
45	USB0_DP	Data Plus, USB Port 0. Add a 22ohm resistor in series
46	NC	Should not be connected
47	VCAP_2	Connect to a 22uF to ground
48	VDD3	Power, 3.3V
49	NC	Should not be connected
50	SPI_SSEL	SSEL SPI interface, 5V tolerant
51	SD_D2	D0, 4-bit SD Bus. Add a 47K resistor between this pin and VDD
52	SD_D3	D1, 4-bit SD Bus. Add a 47K resistor between this pin and VDD
53	SD_CLK	CLK, 4-bit SD Bus
54	SD_CMD	CMD, 4-bit SD Bus. Add a 47K resistor between this pin and VDD
55	SPI_SCK	SCK SPI interface, 5V tolerant
56	NC	Should not be connected
57	USB1_ULPI_D7	USB High Speed PHY signal. Add a 10K resistor to VDD. Only add 10K resistor if HS PHY is not used
58	I2C_SCL	SCL I2C Interface
59	I2C_SDA	SDA I2C Interface
60	BOOT0	Should not be connected. It is safe to have pull up or down resistor on this pin.
61	NC	Should not be connected
62	NC	Should not be connected
63	VSS2	Ground
64	VDD4	Power, 3.3V

Note: All pins have internal weak pull ups, leaving them unconnected is safe.

4. ALFAT access interface

ALFAT is controlled through UART, SPI or I2C serial interfaces. 2 pins are sampled on power up to determine the interface. The pins are SPI_SSEL and SPI_MOSI.

4.1. Selecting the access interface

On power up, the system should hold ALFAT in reset state until the power is stable. This is done by holding reset pin low. Then, pins SPI_SSEL and SPI_MOSI must be set to the desired serial interface, UART, SPI, I2C or even to force the boot loader. The boot loader is needed for firmware updates. Those pins have internal pull-down resistor so an unconnected pin is considered low. After pins are set, the reset pin must be set to high state to allow ALFAT to boot up. **Note that the reset pin is NOT 5V tolerant.**

ALFAT needs about 30 milliseconds to sample these pins from the time reset pin goes high then it needs a bit more to initialize the system. **We recommend a 50 milliseconds delay before sending any commands to ALFAT.** If the selected interface is SPI, these pins can be change to their appropriate SPI functions; otherwise, it is safe to leave the pins in the same state used on power-up.

SPI_SSEL	SPI_MOSI	Interface
low	low	UART
low	high	Boot loader
high	low	I2C
high	high	SPI

4.2. UART Interface

UART interface uses three hardware signals:

- UART_TX signal to send data out from ALFAT.
- UART_RX signal to receive data to ALFAT.
- UART_BUSY signal. This should be monitored while sending data to ALFAT. When it is high, no more data should be transmitted to ALFAT till it gets low.

Note: ALFAT access reference code library, available with ALFAT's downloads, provides an example how to use UART interface.

UART configurations

- The default baud rate is 115200. The maximum tested baud rate is 3M. To change the baud rate use **B** command.
- Data bits: 8
- Parity: None
- Stop bit: 1

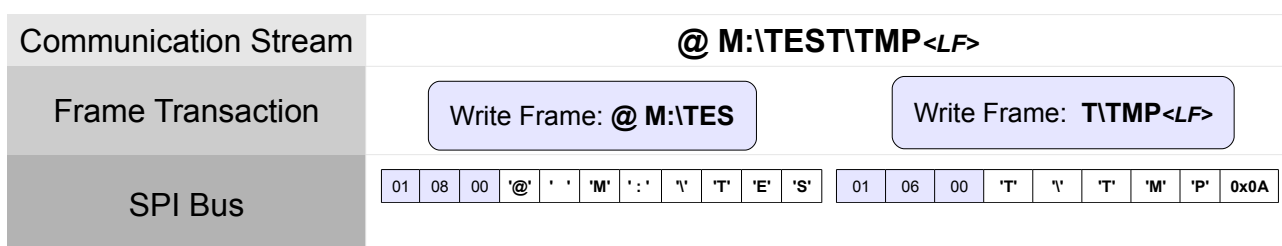
4.3. SPI Interface Mode

SPI interface uses four hardware signals:

- SPI_SSEL: ALFAT Chip Select.
- SPI_MOSI: ALFAT Data in.
- SPI_MISO: ALFAT Data out.
- SPI_BUSY: This should be monitored while sending data to ALFAT. When it is high, no more data should be exchanged with ALFAT till it gets low.

Note: ALFAT access reference code library, available with ALFAT's downloads, provides an example how to use SPI interface.

Sending and receiving data to and from ALFAT over SPI is performed through frame transactions which is a layer that resides between the actual SPI data bus and the communication stream (commands, responses, data). It is important to know that SPI frame transaction layer is independent from how ALFAT commands work.



Write Transaction

Request Frame

The frame consists of two parts, a header and payload.

- The header consists of three bytes. The first byte is the frame type, the second and the third bytes are 16-bit transaction length (Not including the header).
- Payload: This is actual transaction payload needed to be sent to ALFAT. The payload section size MUST match the declared in the transaction size field.

Frame Type	16-bit Transaction Size N		Payload			
0x01	Size LSB	Size MSB	Byte 1	Byte 2	...	Byte N

Response Frame

Ignore	RFB	RFB	RFB	RFB	...	RFB
--------	-----	-----	-----	-----	-----	-----

RFB is Ready Flag Byte.

When a write transaction request is being sent, ALFAT returns zero with the first received byte (Frame Type) and then it returns a ready flag with the received second byte (Size LSB).

If the ready flag is 0x00, this means that ALFAT is not ready to receive any data over SPI. The current transaction gets terminated and the user must not send more bytes for this frame.

If the ready flag is 0x01, this means that ALFAT is ready to receive and the user can proceed and send Size MSB and the payload bytes.

Read Transaction

Processing read transaction is preformed by sending read request frames and receiving response frames that carry the useful payload.

Request Frame

The frame consists of two parts, a header and stuffing bytes.

- The header consists of three bytes. The first byte is the frame type, the second and the third bytes are the requested 16-bit transaction length.
- Stuffing bytes: the bytes should always be 0x00. This section size should equal P, where P is the actual payload size that ALFAT will send back.

Frame Type	Requested Transaction 16-bit Size N		Stuffing Bytes, the size is P.			
0x02	N LSB	N MSB	0x00	0x00	0x00	0x00

Response Frame

The frame consists of two parts, a header and payload.

- The header consists of three bytes. The first byte is ignored, the second and the third bytes are 16-bit value ACT that indicates the actual data size available in the send buffer of ALFAT. ACT value could be more or less than N (the requested transaction size)
- Payload: This is the actual transaction payload that is being send out from ALFAT to the host. This section size is P.

That actual Payload size is calculated as the following: If the requested transaction size N is larger than ACT then P should equal ACT otherwise P should equal N.

Response to frame type	Internal buffer filled portion 16-bit Size ACT		Payload Bytes, the size is P if $N > ACT$ then $P = ACT$ else $P = N$			
	ACT LSB	ACT MSB	Byte 1	Byte 2	...	Byte P
Ignore						

Important: ACT size should be used only for data size estimating purposes because the send buffer might get filled with more data while processing the read command.

SPI DMA receive channel

This internal DMA channel that is used for high speed data receiving through SPI bus. ALFAT opens this DMA channel only when it accepts to receive data with Fast Write to File command ([L Command](#)).

ALFAT reserves 8192 Bytes in RAM for this DMA channel. So the user can send 8192(or less)-Byte blocks of data without any delays in between the bytes and the DMA forwards the data to the reserved RAM region. Then ALFAT will save the data into the file. But the user needs to check SPI_BUSY pin before sending each block.

Check Fast Write to File command ([L Command](#)) for more details about how to utilize SPI DMA channel. Also ALFAT access reference code library provides an example how to use L command and access SPI DMA.

SPI Bus Configurations

- The maximum SPI clock is 24MHz.
- SPI clock Idle state is Low.
- Sampling is at the rising edge.
- SPI_BUSY active state is High.
- Data is sent MSB first.
- SPI_SSEL active state is Low. SPI_SSEL can be toggled with every byte or with every chunk of bytes.
- A minimum of 4uS delay is required between each byte. This requirement is not needed with Fast Write to File command ([L Command](#)) that uses [SPI DMA receive channel](#).

4.4. I2C Interface Mode

I2C interface uses three hardware signals:

- I2C_SCL: I2C clock signal.
- I2C_SDA: I2C data signal.
- I2C_BUSY: This should be monitored while sending data to ALFAT. When it is high, no data should be exchanged with ALFAT.

Transmitting and receiving data to and from ALFAT is performed through standard I2C transactions. For transmitting, ALFAT-I2C-address with R/W bit set to zero and then the payload. The payload then is processed internally exactly the same as UART.

Receiving data from ALFAT is similar. The user starts by transmitting ALFAT-I2C-address with R/W bit set to 1 followed by reading of one or more payload bytes from the internal buffer. When reading from ALFAT and no data is available, 0x00 (No Data Token) is returned. Should ALFAT be reading a file and the file contains 0x00 then ALFAT will return 0xFF (Half Data Token) followed by 0x00. Also, if the file contains 0xFF then ALFAT will return 0xFF followed by another 0xFF. The following table shows the states.

Actual Data coming from File	Data transmitted from ALFAT I2C bus
0x00	0xFF followed by 0x00
0xFF	0xFF followed by another 0xFF
0x01 ... 0xFE	Data is sent as is

Important: With NDT/HDT being used, the actual data size on a files maybe different than what is received from ALFAT. For example, If a file has one byte and this byte value is zero, ALFAT will actually send 2 bytes, a 0xFF followed by 0x00. This is all in the I2C interface driver layer, not in actual communication stream (commands, data) to ALFAT.

I2C Bus Configuration

ALFAT I2C slave address is 0xA4. This is a fixed address and can't be changed. Bit zero is the RW bit, 0=Write 1= Read.

The maximum allowed I2C clock is 400Khz. The hosting system must provide pull up resistors, usually they are 2.2K, on the bus as specified in the I2C specifications.

This code demonstrates the receive function

```

UINT8 I2C_GetDataFromALFAT()
{
    UINT8 b;

    do// wait for data. 0x00 = no data

```

```
{
    I2C_SendAddress(0xA4 + READ_BIT); //send address with RW set to R
    b=I2C_Read();
}while(b!=0);

if(b==0xFF)
{
    b=I2C_Read();
    if( (b != 0x00) && (b != 0xff))
    {
        Panic("This should never happen");
    }
    // b now equals the actual value, 0x00 or 0xFF
}
return b;
}
```

5. ALFAT Command Set

All commands are in ASCII format. A terminal programs can be used to enter all commands manually to evaluate the commands. Note that the data exchanged with the files do not have to be in ASCII format. This data is transferred as is.

When ALFAT is done processing a command it will always return an error code in this form “!xx\n” where xx is the error number. If a command returns some information, then it will be the user expects a \$ symbol followed by the information, unless otherwise is noted.

You can send multiple commands to ALFAT SoC until its FIFO is full (indicated by BUSY or RTS). ALFAT will process one at the time in the same order.

Command	Description	Command	Description
V	Get version number	I	Initialize MMC/SD or USB
Z	Low power	O	Open file to a free handle
T	Initialize Real Time Clock	W	Write to a file
S	Set current time and date	R	Read from a file
G	Get current time and date	F	Flush file
B	Change Baud rate	C	Close file
#	Enable echo	P	File seek
J	Read status register	Y	File tell
E	Test media	D	Delete file or folder
K	Get free size	?	Find file or folder
@	Initialize directory list	M	Copy From File to Another
N	Get next directory entry	A	Rename file
Q	Format	L	Fast Write to file (SPI only)

General command notes:

- Any command with its argument can not exceed 200 bytes. This is not related to the 4096 byte data FIFO.
- Commands are terminated with line-feed and ALFAT returned data termination is line-feed as well. However, ALFAT will accept carriage-return instead of line feed, but not both.
- The user must read back the responses for each command properly and check whether the command was successful.

- Commands must have the exact formatting. Extra spaces are not allowed.
- All numbers are Hexadecimal represented in ASCII. For example, to send the decimal number 16 to ALFAT SoC which is 10 in Hexadecimal, you send 0x31 which is ASCII for 1 and 0x30 which is ASCII for 0. Also, for Hexadecimal numbers A to F, they must be entered in upper case letters. If using a terminal to enter commands manually, then only type in the number.
- Some commands have multiple error codes. Usually, the first error code denotes the command is accepted and then it is processed. Another error code is sent when the command has finished processing successfully. If the first error code was a no success then the command is terminated. Note that the second error code will never be sent.
- All commands that accept file name, such as O and D commands, require a full file path. File name is not enough. For example, "U1:\folder\data.log" is good but "data.log" shouldn't be used.
- ALFAT command's terminator can be LF('\n') or CR ('\r').

V - Get Version Number

Prints the version number of ALFAT SoC firmware. Note that this version is not the same or related to the version number of the boot loader.

Format	V<LF> VX.X.X<LF> !00<LF>	Returns version number
Example	V<LF> v1.0.0<LF> !00<LF>	The version number is 1.0.0

- Enable Echo

Enabling echo makes ALFAT echos back the data it receives over UART.

Format	#<SP>n<LF> !00<LF>	n = 0 Disable echo n = 1 Enable echo
Example	#<SP>1<LF> !00<LF>	Enable echo

Echo is disabled by default.

Z - Set Low Power Mode

ALFAT supports two low power modes

- **Standby Mode:** This mode will completely turn off the processor.

- Exiting Standby mode: ALFAT exits Standby Mode by resetting the processor (Reset pin) or by a rising edge on WAKEUP pin. After waking up from standby mode, the system is in reset. It is important for users to make sure that all the files are closed before setting this mode.
- Typical Power Consumption: 3.3µA T_A = 25 °C.
- Maximum Power Consumption: 12.4µA T_A = 25 °C. 20.5µA T_A = 85 °C.
- **Stop mode:** With this mode the system will maintain its state but will stop execution.
 - Exiting Stop Mode: ALFAT exits Stop Mode by a rising edge on WAKEUP pin. After waking up from Stop Mode, program execution resumes from where it stopped.
 - Typical Power Consumption: 0.5mA T_A = 25 °C.
 - Maximum Power Consumption: 1.2mA T_A = 25 °C. 11mA T_A = 85 °C.

The user can put ALFAT in a certain mode using Z command.

Format	Z<SP>n<LF> !00<LF>	n : Power mode number
Example	Z<SP>0<LF> The system will reset after waking up.	Put ALFAT in Standby mode. After waking up from Standby mode, program execution restarts in the same way as after a Reset.
Example2	Z<SP>1<LF> !00<LF>	Put ALFAT in Stop mode. The !00 will be returned after ALFAT wakes up by setting #WAKEUP pin low.

Power mode number

0	Standby Mode.
1	Stop Mode.
2...9	Reserved

T - Initialize Real Time Clock

Format:	T<SP>S<LF> !00<LF>	Shared Mode. The RTC runs off the same processor clock.
	T<SP>B<LF> !00<LF>	Backup Mode. The RTC clocks using the external 32.768Khz crystal and runs VBAT power(1.65V to 3.6 V) backup coin battery. This ensures that the RTC keeps clocking even if ALFAT main power is down.

S - Set Current Time and Date

Format	S<SP>ddddtttt<LF> !00<LF>	ddddtttt time and date 32bit structure*
Example	S<SP>34210000<LF> !00<LF>	Set 1/1/2006 00:00:00

*Time and Date structure is a 32-bits standard structure used in FAT system. For example, 0x34212002 is 01/01/2006 – 04:00:04

Bits(s)	Field	Description	0x34212000 Bits in Binary
31..25	Year1980	Years since 1980	001 1010
24..21	Month	1..12	0001
20..16	Day	1..31	0 0001
15..11	Hour	0..23	0 0100
10..5	Minute	0..59	00 0000
4..0	Second2	Seconds divided by 2 (0..30)	0 0010

G - Get Current Time and Date

Format	G<SP>D<LF> MM-DD-YYYY<LF> !00<LF>	Get current date.
	G<SP>T<LF> HH:MM:SS<LF> !00<LF>	Get current time.

B - Set UART Baud Rate

Format	B<SP>ssssssss<LF> !00<LF> !00<LF>	ssssssss: The standard baud rate value in HEX. The first !00 will be sent when the baud rate value is correct.
Example	B<SP>1C200<LF> !00<LF> !00<LF>	Set the baud rate at 115200.

I - Initialize and Mount MMC/SD or USB

This command should be called to initialize and mount the file system. Any other file-related commands will fail if this was not called first.

Note1: WP pin MUST be connected to ground if Write protection signal is not used in the hardware design.

Note2: CD pin MUST be connected to ground if Card Detect signal is not used in the hardware design.

Format	I<SP>X:<LF> !00<LF>	X: Drive name: M: Memory Card drive U0: USB Flash drive 0 Full-Speed U1: USB Flash drive 1 Full-Speed U1:H USB Flash drive 1 High-Speed. Requires an external HS PHY.
Example	I<SP>M:<LF> !00<LF>	Initialize memory card with the default clock frequency.
	I<SP>U0:<LF> !00<LF>	Initialize USB 0 at Full-Speed mode
	I<SP>U1:<LF> !00<LF>	Initialize USB 1 at Full-Speed mode [†]
	I<SP>U1:H<LF> !00<LF>	Initialize USB 1 at High-Speed mode [†]

† Important note: If ULPI PHY is implemented in the design (like in ALFAT OEM board), then the USB mass storage device connected to USB1 MUST be initialized in High-Speed mode (even if the USB device does not support High-Speed mode). Initializing it in Full-Speed might cause an undesirable performance.

Initializing memory card with different clock frequency:

The default SD bus clock frequency is 12MHz. This frequency works on the majority of the memory cards. Some cards can work with higher frequency up to 24MHz. This will enhance the memory access speed a little bit. The initialize command gives the user the option to choose other than the default clock frequency.

Format	I<SP>M:>d<LF> !00<LF>	d: SD bus clock frequency mode 0: 24MHz. 1: 16MHz. 2: 12 MHz. (the default value) 3: 9.6MHz. 4: 8 MHz.
Example	I<SP>M:>0<LF> !00<LF>	Initialize memory card with 24MHz. clock frequency.

Important note 1: Most of the SD cards works with 24MHz. but not the majority. Cards that do not work with this high frequency will accept to be initialize but the is about 20% chance that it will fail to process write sector requests. So it is highly recommended to use the default frequency if the final application should work with the majority of the

cards.

Important note 2: If the SD card is with a high class number, this does not mean that it will work with higher clock frequency.

J - Read Status Register

Returns system status register.

Format	J<LF> !00<LF> \$ss<LF> !00<LF>	Read status register. \$ss is 1 byte in HEX that shows the status of media drive. First !00 is sent before starting calculations
Example	J<LF> !00<LF> \$11<LF> !00<LF>	Indicating card detect pin is high and USB 1 is in high speed mode.

This table shows the bit mapping.

Bit Number	Status
0	Reads Card Detect pin status (CD) 0: Memory card not detected 1: Memory card detected
1	Reads SD Write Protection pin status (WP) 0: SD Card not protect 1: SD Card protect
2	0: USB0 is not mounted (or it was disconnected after it's being mounted) 1: USB0 is mounted
3	0: USB1 is not mounted (or it was disconnected after it's being mounted) 1: USB1 is mounted
4	0: USB1 is in Full Speed mode. 1: USB1 is in High Speed mode.
5	0: USB0 is not attached. 1: USB0 is attached.
6	0: USB1 is not attached. 1: USB1 is attached.
7	Reserved

K- Get Free Size

Gets media total remaining free size. Note this command may take several seconds for calculations to finish depending on the media size.

Format	K<SP>X<LF> !00<LF> \$ssssssssssssssssss<LF> !00<LF>	X: Drive name, included: M: Memory Card drive U0: USB Flash drive 0 U1: USB Flash drive 1 sssssssssssssss 8 bytes in HEX free size in drive. First !00 is sent before starting calculations
Example	K<SP>U1:<LF> !00<LF> \$00000000717F0000<LF> !00<LF>	Size Available on USB Flash drive 0 is 1904148480 bytes

@ - Initialize Files and Folders List

To list files/folders at a certain path, first use this command to initialize the list counter, then call N command to get a directory entry. Every time N command is called, ALFAT retrieves an entry of the list.

No other commands should be called between the N commands, otherwise the user should start over and call @ command.

Format	@<SP>full path<LF> !00<LF>	Full path: the full path needed to initialize included drive name.
Example	@<SP>M:\TEST\TMP<LF> !00	Initialize folder M:\TEST\TMP

N - Get Next Directory Entry

Calling N command retrieves a directory entry from the directory list initialized using @ command. Every time N command is called, ALFAT retrieves an entry of the list and increment the list pointer.

When list pointer reaches the end of the list and N is called again, ALFAT returns error code 0x04 indicating the end of the list has been reached.

Format	N<LF> !00<LF> NNNNN.EEE<LF> \$AA<LF> \$SSSSSSSS<LF> !00<LF>	NNNNN File Name EEE File Extension (if any) AA 1 byte, in HEX, File Attributes* ssssssss 4 bytes in HEX file size
Example	N<LF> !00<LF> TEST0001.TXT<LF> \$00<LF> \$0000FE23<LF> !00<LF> N<LF> !00<LF> TEST0002.TXT<LF> \$20<LF> \$00001234<LF> !00<LF>	Passing N command two times and getting the results.

* File Attributes are one byte Standard Attribute Structure in FAT system.

7	6	5	4	3	2	1	0
Reserved		Archive	Folder	Volume ID	System	Hidden	Read Only

O - Open File for Read, Write or Append

The command requires a free file handle and a access mode.

Open Modes are:

- 'R' Open for read, requires the file to exist at the specified path.
- 'W' Open for write, will create a new file and give write privileges to it. If the file already exists, it will be erased and re-written.
- 'A' Open for append, will write data to the end of the file. If the file does not exist, it will be created.

ALFAT has 16 available file handles. Each file, once opened, must be associated with a handle. Closing the file, would free up the file handle.

Note 1: ALFAT can access unlimited number of files. The limitation is 16 simultaneous opened files but a handle can be closed then used to open any other file.

Note 2: Initialize command should be called to initialize and mount the file system. Any other file-related commands including O command will fail if this was not called first.

Format	O<SP>nM>full path<LF> !00<LF>	Open file file name followed full path and associate it with handle n and access mode M. n is the handle number, in HEX, and can be 0, 1, 2,3,4,5,6, 7, 8, 9, A, B, C, D, E or F. M can be R, W or A
Example	O<SP>1R>M:\TEST\VOLTAGE.LOG<LF> !00<LF>	Open file VOLTAGE.LOG with file handle 1 and read access mode. This file is located in TEST older on SD memory card.
	O<SP>0W>U0:\DAT\CURRENT.LOG<LF> !00<LF>	Open file CURRENT.LOG using file handle 0 and write access mode on USB0. If folder DAT is not available, it will be created automatically.

R - Read from File

This command is called to read data through a file handle assigned to an open file with read mode. The user determines the size of data to be read and the filler byte in the command parameters.

After executing the command, ALFAT sends back the data and increments the internal file pointer. If the the file pointer reached the end of the file, then ALFAT returns filler bytes till it reaches the total size required in the R command, then it returns the actual data size.

Note: the data is sent directly to the user with no formatting (no interpretation or conversion) in UART and SPI mode. In I2C mode, some of the bytes might be replaced by two bytes. Check I2C interfaces sections for more details.

Format	<p>R<SP>nM>sssssss<LF> !00<LF> sssssss Bytes are returned \$aaaaaaaa<LF> !00<LF></p>	<p>n File Handle 0, 1, 2,3,4,5,6, 7, 8, 9, A, B, C, D, E or F. M Filler Character sssssss 4 bytes Max. in HEX data size to read aaaaaaaa 4 bytes always in HEX actual read size</p>
Example	<p>We have a file with 8 bytes (ABCDEFGH) in it and it is opened for read with handle number 2.</p>	
	<p>R<SP>2^>5<LF> !00<LF> ABCDE\$00000005<LF> !00<LF> R<SP>2Z>5<LF> !00<LF> FGH^^\$00000003<LF> !00<LF></p>	<p>Read 5 bytes from file handle 2 with a filler ^ 5 bytes are read Read 5 more bytes. Only 3 bytes are available and 2 are filler bytes</p>

W - Write to File

This command is called to write data through a file handle assigned to an open file with write or append mode:

1. Send W command with file handle and the data size.
2. Wait till you get the acknowledge.
3. Send the data.

The sent data is written directly to the file as is (no interpretation or conversion). Also, the user should make sure that the sent data size matches the size declared in the command. If an error occurs while writing, ALFAT still expects all the data then it sends back the error code.

There is no line-feed sent after the data. If writing "Hello" to a file, just send the 5 bytes and then ALFAT will respond with how many bytes were written. In this case, it should be \$00000005.

To make sure that the data is written to a file, the file must be flushed (F command) or closed (C command) when done, or there will be a risk of losing data or corrupting the file system if the storage media was removed or if there was a power loss.

Format	<pre>W<SP>n>ssssssss<LF> !00<LF> User sends data (ssssssss bytes) \$aaaaaaaa<LF> !00<LF></pre>	<p>n File Handle 0, 1, 2,3,4,5,6, 7, 8, 9, A, B, C, D, E or F.</p> <p>ssssssss 4 bytes Max. in HEX data size to be written</p> <p>aaaaaaaa 4 bytes always in HEX actual written size</p>
Example	<pre>W<SP>1>10<LF> !00<LF> 1234567890abcdef \$00000010<LF> !00<LF></pre>	<p>Write 16 bytes to the file associated with handle 1</p>

L- Fast Write to File (SPI mode only)

This command is called to write data through a file handle assigned to an open file with write or append mode. IT the utilization of this command is similar to Command's but it works only through SPI interface and it uses the help of an internal DMA to gain much higher data SPI receive rate (Average 1.4 MByte per second) than with the regular W command. For more details about data throughput check [Serial Interface Speed Overhead](#).

Format	SPI Write Frame: L<SP>n>ssssssss<LF>	n File Handle 0, 1, 2,3,4,5,6, 7, 8, 9, A, B, C, D, E or F. ssssssss 4 bytes Max. in HEX data size to be written aaaaaaaa 4 bytes always in HEX actual written size
	SPI Read Frame: !00<LF>	
	User sends data (ssssssss bytes) through SPI DMA channel	
	SPI Read Frame: \$aaaaaaaa<LF> !00<LF>	

1. User: requests sending data using L command like any regular command send over SPI through a [SPI Write Transaction](#).
2. ALFAT: accepts the request and sends the acknowledgment to the user over SPI through a [SPI Read Transaction](#).
3. ALFAT: [Opens SPI DMA channel](#).
4. User: checks SPI_BUSY. If it is not busy then sends 8192 Bytes or less.
5. User: repeats step 4 until all the requested data through L command is sent out to ALFAT.

Note: the user can not terminate sending the data. so if the requested data-to-be-written size is 3MBytes, then the user MUST send all the 3MBytes.

6. ALFAT: after the user sends all the data, ALFAT acknowledges the user with the written data size in a [SPI Read Transaction](#).
7. User: checks SPI_BUSY. If not busy then reads the acknowledgment mentioned in step 6.

Important note: Data sent through SPI DMA channel should NOT be sent through an [SPI Write Transaction](#). Check [SPI DMA receive channel](#) for more details. Also ALFAT access reference code library provides an example how to use L command and access SPI DMA.

F - Flush File Data

This command flushes (commits) the data of an opened file. The file will still be opened and associated with a handle, after calling the command. This command is useful to make sure all data are physically saved in the media.

To make sure that the data is written to a file, the file must be flushed (F command) or closed (C command) when done, or there will be a risk of losing data or corrupting the file system if the storage media was removed or if there was a power loss.

Format	F<SP>n<LF> !00<LF>	Flush File handle n n can be 0,1,2,3,4,5,6,7,8,9,A,B,C,D,E or F
Example	F<SP>0<LF> !00<LF>	Flush File handle 0

C - Close File

This command issues a flush file (F – Command) internally and then release the file handle.

Format	C<SP>n<LF> !00<LF>	Close File handle n n can be 0,1,2,3,4,5,6,7,8,9,A,B,C,D,E or F
Example	C<SP>0<LF> !00<LF>	Close File handle 0

P - File Seek

This command changes the current byte position in a file. Valid values are ranging from 0 to file size.

Format	P<SP>n>sssssss<LF> !00<LF>	n File Handle 0 through F sssssss 4 bytes new position
Example	P<SP>1>10<LF> !00<LF>	Set file pointer at index 0x10 (16 in decimal)

Y - File Tell

Gets the current byte index in a file. Valid values are 0 to file size.

Format	Y<SP>n<LF> !00<LF> \$ssssssss<LF> !00<LF>	n File Handle 0 through F ssssssss 4 bytes in HEX position in the file
Example	Y<SP>1<LF> !00<LF> \$00000003<LF> !00<LF>	The file with handle 1 has the file pointer at index 0x03

D - Delete File or Folder

Deletes a file or a folder. Appending the name with the \ symbol indicated this is a folder.

Format	D<SP>FULL PATH[<LF> !00<LF>	Full path: The full path where the FILE is located. [<LF>]: if '\ ' is added at the end of the full path string, it means we are deleting a FOLDER, not file.
Example	D<SP>M:\TMP\TEST.TXT<LF> !00<LF>	Remove the FILE with name TEST.TXT in TMP folder on SD memory card. This will not delete the TMP folder.
	D<SP>M:\TMP\<LF> !00<LF>	Remove the FOLDER with name TMP in root folder of memory card. The folder must be empty.

? - Find File or Folder

This command searches for a specific file or folder name at the specified path. If the directory exists, ALFAT outputs the file size, attributes and date & time of modification, otherwise, it returns an error indicating that the file is not found.

Format	?<SP>FULL PATH<LF> !00<LF> \$ssssssss<LF> \$AA<LF> \$hh:mm:ss<SP>mm-dd-yyyy<LF> !00<LF>	ssssssss 4 bytes in HEX file size AA 1 byte in HEX file Attributes* hh:mm:ss is last time the file or folder was modified. mm-dd-yyyy is last date the file or folder was modified.
Example	?<SP>M:\TEST.TXT<LF> !00<LF> \$00000F34<LF> \$20<LF> \$12:00:00<SP>01-24-2011<LF> !00<LF>	File has been found and its size is 3892 bytes with no special attributes. \$20 indicate this is a file. Last modification time is 12:00:00 date is 1/24/2011

* File Attributes are one byte Standard Attribute Structure in FAT system.

7	6	5	4	3	2	1	0
Reserved		Archive	Folder	Volume ID	System	Hidden	Read Only

M - Copy From File to Another

Since ALFAT supports opening more than one file at the same time and it supports three file media, this command comes handy copy data from a file to another, even if the files are located on different media.

Format	M<SP>HANDLE_SRC<SP>INDEX<SP>HANDLE_DES<SP>LENGTH<LF> !00<LF> \$xxxx<LF> !00<LF>	HANDLE_SRC: Handle source. INDEX: Copy from this index of handle source. HANDLE_DES: Handle destination. LENGTH: Length of data need to be copied. xxxx: actual size has copied.
Example	M<SP>0<SP>0<SP>1<SP>64<LF> !00<LF> \$00000064<LF> !00<LF>	Copy from file handle 0 at index 0 to handle 1 with 0x64 bytes.

A - Rename file

Format	A<SP>FULL PATH>NEW FILE NAME<LF> !00<LF>	FULL PATH: The full path of file. It is also included file name. NEW FILE NAME: The new name file. Just only name of new file, no include full path here.
Example	A<SP>U0:\GHI\ALFAT.TXT>ALFAT001.TXT<LF> !00<LF>	Rename ALFAT.TXT in GHI folder from USB0 to ALFAT001.TXT.

E - Test Media Speed

Format	E<SP>X>ssssssss<LF> !00<LF> \$aaaaaaaa<LF> \$bbbbbbbb<LF> !00<LF>	X: Drive name, included: M: Memory Card drive U0: USB Flash drive 0 U1: USB Flash drive 1 ssssssss 4 bytes in HEX data size for testing. It should be divide 1024. aaaaaaaa 4 bytes in HEX: total millisecond for writing. bbbbbbbb 4 bytes in HEX: total millisecond for reading. First !00 is sent before starting calculations
Example	E<SP>M:>6400000<LF> !00<LF> \$00005D14<LF> \$000039FB<LF> !00<LF>	Test write and read on Memory Card for 100MB. It takes 23828 millisecond for writing and 14843 millisecond for reading.

Note: this command may take a few seconds to minutes for calculations to finish, depending on the test size. It also needs 2 free handles for writing and reading.

Q – Format

Format	Q<SP> CONFIRM FORMAT<SP>X<LF> !00<LF> !00<LF>	X is driver name. Included: M: Memory card. U0: USB flash drive 0 U1: USB flash drive 1 First !00 is sent before formatting Second !00 is sent when done
---------------	---	--

Note: this command may take several seconds to finish depending on the media size.

6. Boot Loader and firmware update

6.1. General Description

The boot loader is a software that boots the system up. It verifies and runs the ALFAT firmware. It also gives the hosting system an interface for firmware maintenance.

GHI Electronics regularly maintains ALFAT firmware with improvements and bug fixes. ALFAT boot loader allows the hosting system to update the firmware.

The boot loader can only be accessed through the UART port, without hardware handshaking. So it only requires UART_TX and UART_RX pins.

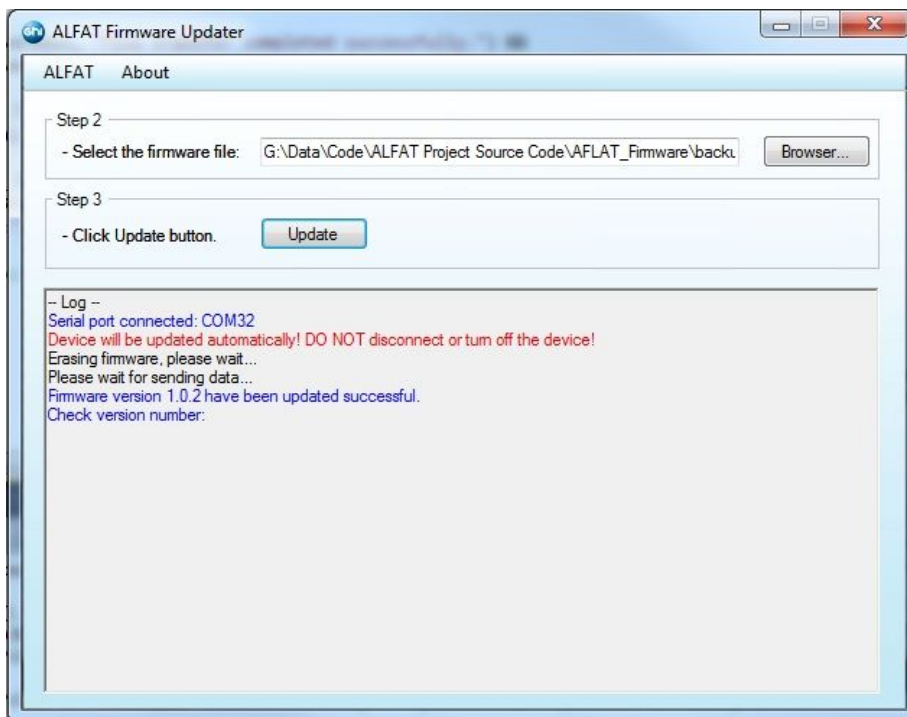
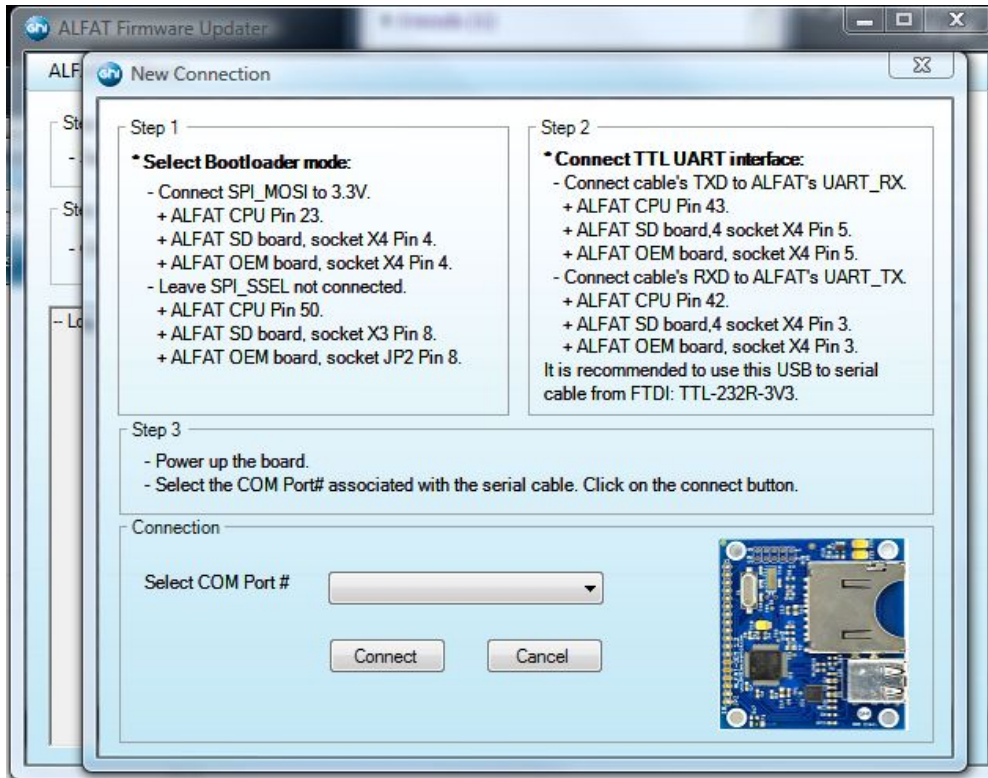
It is very important that this UART port is exposed on the hardware even if the used ALFAT interface with the hosting system is not UART (SPI or I2C). This guarantees that ability to update ALFAT firmware when needed.

6.2. Firmware Updater App

An updater application is provided by GHI to aid in updating the firmware. Users may also wish to implement this functionality right into the host system so an update can happen within the hosting system. The firmware update uses standard XMODEM 1K CRC protocol. To connect ALFAT, or one of the OEM boards, to a PC for update, a TTL serial connection is needed. If using a regular PC serial port then RS232 to TTL level converter is required between ALFAT UART interface and the serial port.

We recommend using USB TTL serial cable. Here is the part number TTL-232R-3V3 from FTDI. This USB enumerated as a virtual serial port and it provides TTL 3.3V levels at the other side that can be connected directly to ALFAT's UART interface.





6.3. Boot Loader Commands

Command	Description
R	Run ALFAT firmware
E	Erase ALFAT firmware
X	Update ALFAT firmware (the firmware file is transferred using XMODEM 1K)
V	Returns the loader version and current ALFAT firmware version.

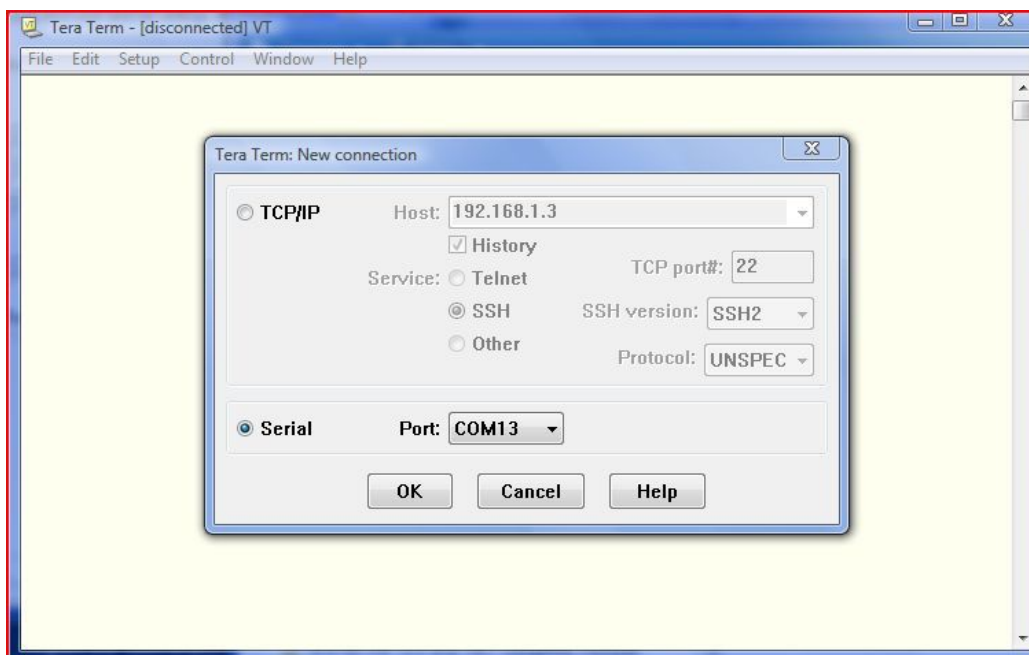
Note: The boot loader is entirely separate program that loads ALFAT SoC firmware. The version number of the boot loader may not match the ALFAT firmware version number. The boot loader can't be updated.

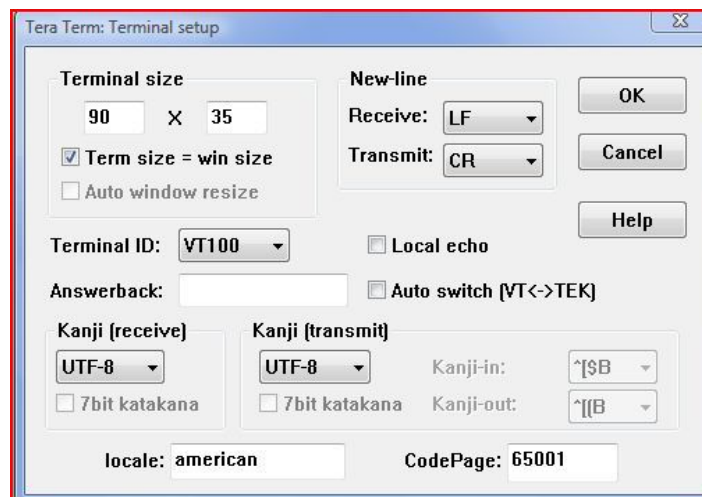
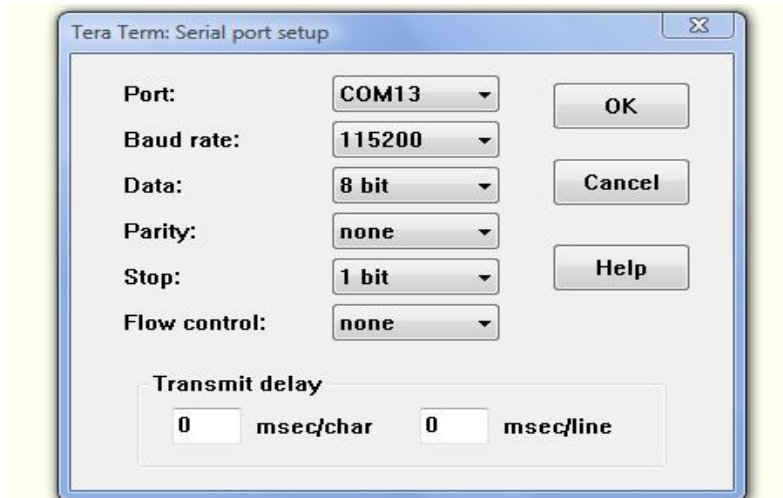
6.4. Updating the firmware using a terminal console

It is recommended to use the provided firmware updater application. But here is an example how to use a terminal console like TeraTerm to update the firmware instead.

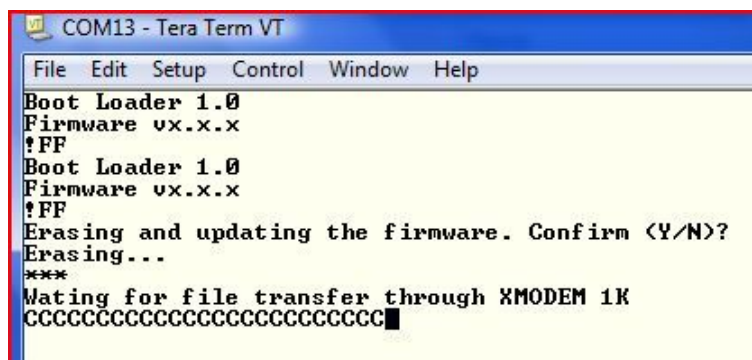
Put ALFAT in the bootloader mode as explained in [4.1. Selecting the access interface](#)

Open the relative COM port and set the baud rate to 115200 and set the New-line receive to LF.

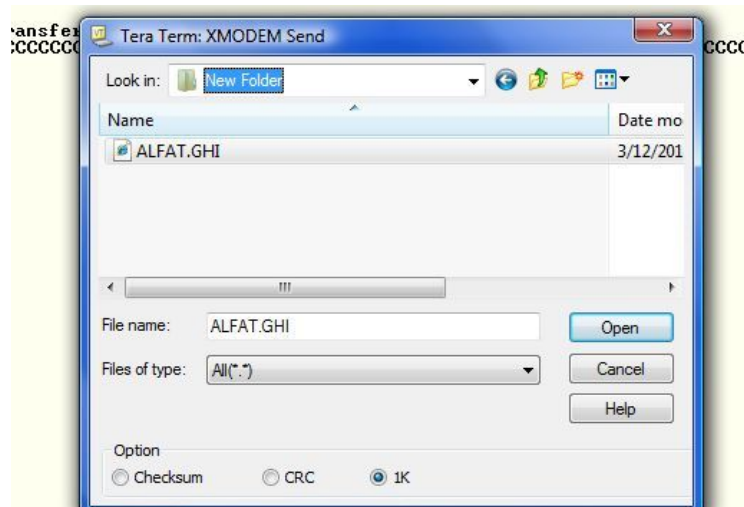




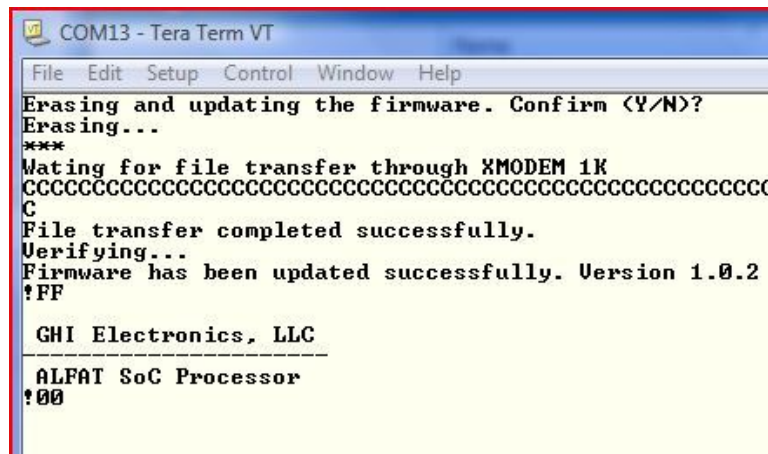
Use X command and follow the instructions



Choose to send a file using **XMODEM with 1K option** then choose ALFAT.GHI. The firmware file is downloaded from ALFAT page on GHI's website.



After the file being transferred. You will get a message like this "Firmware has been updated successfully. Version 1.0.2." After that you can release the boot loader mode and reset the chip, or run R command to run the firmware.

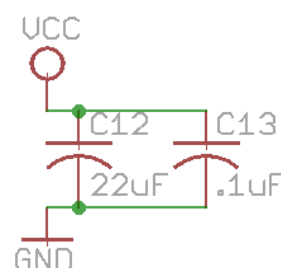


7. Hardware integration guide

The schematic provided on ALFAT web-page in an excellent reference design. This section provides further details.

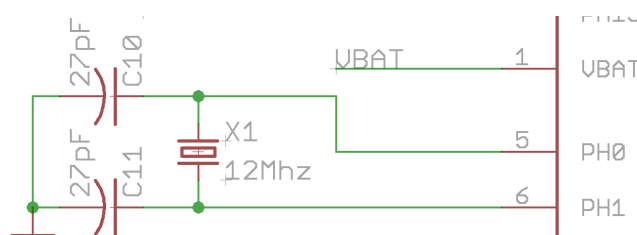
7.1. Power Source

Power source is a main cause of many problems. ALFAT SoC is capable of running at lower voltage or somewhat noisy voltage source. The media may or may not work on an unstable power source. Make sure that the power source to the storage media is reliable and there is a large enough capacitor as close as possible to the media power pins. We recommend adding 0.1uF and 22uF capacitors.

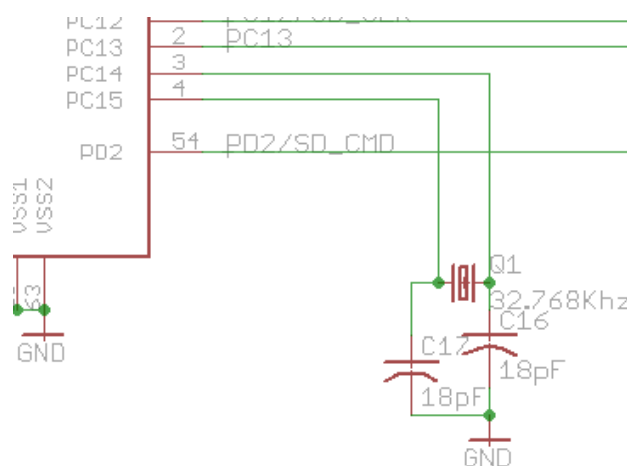


7.2. Crystals

ALFAT's main clock is provided through a 12Mhz Crystal with 500PPM or less and a load capacitance around 18pF.



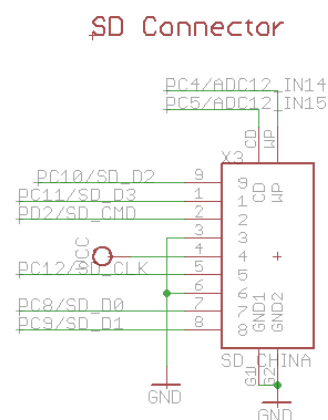
Real Time Clock crystal's value should be 32.768Khz and the load capacitance is 12.5pF.



7.3. Card Detect and Write Protect signals

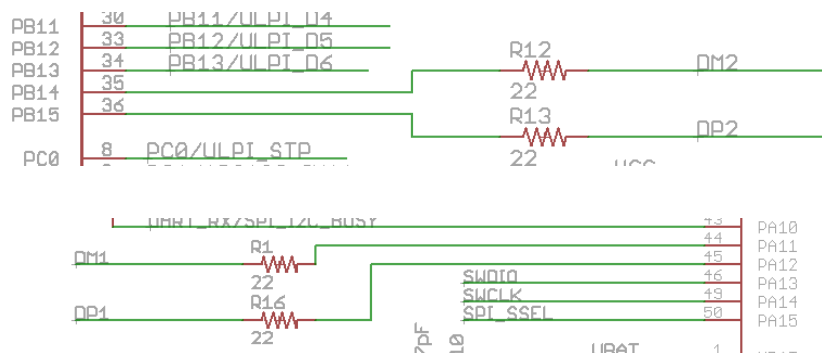
With SD interface, ALFAT checks card detect input (pin 25/ CD) before initializing the card. If CD is Low then ALFAT will accept to initialize the card, otherwise ALFAT will reject the initialize command. If card detect signal is not implemented in the hardware design, then CD pin MUST be connected to GND.

The same for write protect, ALFAT checks write protection input (pin 24/ WP) before performing any command that involves writing to the memory card. If write protection signal is not implemented in the hardware design, then WP pin MUST be connected to GND.

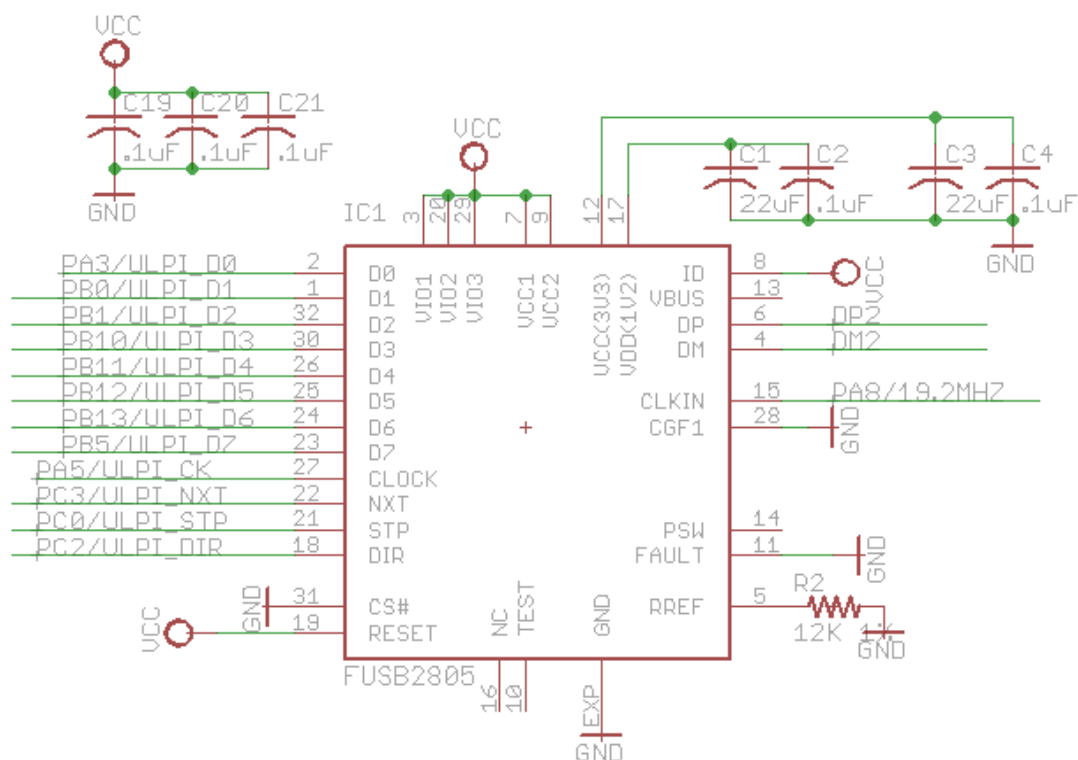


7.4. Full Speed / High Speed with ULPI PHY

To access the USB Full-Speed bus (12Mbps), two 22ohm resistors are needed to be connected in serial with the data+(DP) and data- (DM) signals of each of ALFAT's USB Host.



If higher file access speed is desired, a ULPI PHY (for example FUSB2805) can be added on USB1 port, which will change the USB interface to High-Speed bus (480Mbps).



This PHY requires 19.2Mhz clock source. To save the cost of an additional crystal, ALFAT generates a 19.2Mhz clock at pin 21 that can be used with the PHY.

Important note 1: If ULPI PHY is implemented in the design, the two 22ohm resistors are still needed to be connected in serial with the data+ (DP) and data- (DM) signals.

Important note 2: If ULPI PHY is implemented in the design (like in ALFAT OEM board), then the USB mass storage device connected to USB1 MUST be initialized in High-Speed mode (even if the USB device does not support High-Speed mode). Initializing it in Full-Speed might cause an undesirable performance.

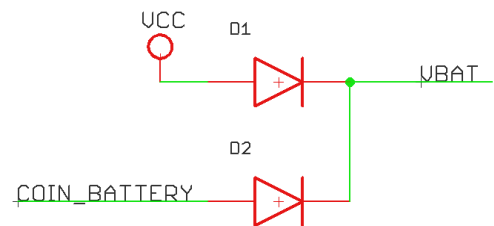
7.5. Real Time Clock

ALFAT tags the modified or created file with the current time and date. To keep track of time, ALFAT uses the internal real time clock. ALFAT provides two options to the user to drive the RTC.

The first option is the shared mode, where the RTC runs off the same processor's clock and power. With this option, the user does not need any external components, and VBAT should be connected to VCC. But with this option, the hosting system must set the correct time and date with every power recycle.

The second option is the Backup Mode, where The RTC clocks using the external 32.768Khz crystal and runs off VBAT power through (1.65 to 3.6 V) backup coin battery. This ensures that the RTC keeps clocking even if the system is powered off. RTC consumes about 1uA. The system should always keep power available on VBAT pins.

To ensure that VBAT get powered from the backup battery only when the main power is off, it is recommended to use two diodes as indicated in the schematic below.



7.6. Bootloader Access

While firmware is stable and no changes are released often, there are cases where an update is necessary. We highly recommend making this update feature available on final designs. The design should provide access to UART RX and TX pins, loader pin and reset pin.

7.7. Electrical characteristics

ALFAT SoC is based on STM32F205RBT6. Consult with STM32F205RBT6 datasheet for electrical characteristics if needed.

8. ALFAT Off-the-shelf Circuit Boards

GHI Electronics offers off-the-shelf OEM boards that uses ALFAT SoC processor. These boards expose all needed signals to interface with ALFAT over UART, SPI or I2C and provide convenient connectors like SD or USB connectors. The boards are easily mountable on existing or new product.

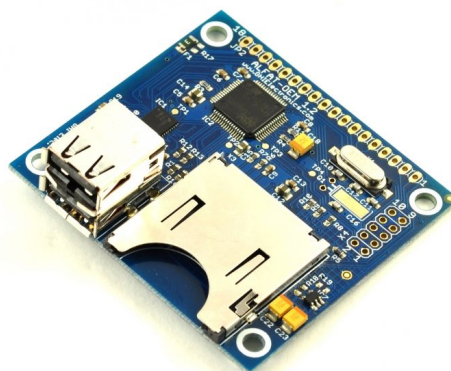
8.1. ALFAT OEM Board

ALFAT OEM Board is an OEM board that exposes all of ALFAT™ SoC processor features. This board offers a seamless way to access files on SDHC, SD and MMC cards plus on USB MSC devices such as thumb drives.

The board includes pads for RTC 32.768Khz crystal. The crystal is not included.

ALFAT OEM includes:

1. SD/MMC Connector with push spring.
2. Dual USB connector Type A with:
 - Full-Speed USB 2.0 port.
 - High-speed USB2.0 port.



All required signals are exposed through a 1x18 pin-mount. Also, if the desired interface is UART, all signals required are exposed through a secondary 2x5 pin-mount.

ALFAT OEM Pinout

1x18 pin-mount

Pin	Name	Pin	Name
1	UART_TX	10	ACTIVE
2	UART_RX/SPI_BUSY/ I2C_BUSY	11	Reserved
3	I2C_SCL	12	VBAT
4	I2C_SDA	13	Internal 3.3V (Do not connect)
5	SPI_SCK	14	RESET (not 5V tolerant)
6	SPI_MISO/UART_BUSY	15	GND

Pin	Name	Pin	Name
7	SPI_MOSI	16	Not connected
8	SPI_SSEL	17	Not connected
9	WAKE	18	5 Volts

2x5 pin-mount

Pin	Name	Pin	Name
1	Internal 3.3V (Do not connect)	2	5V
3	UART_TX	4	SPI_MOSI
5	UART_RX/SPI_BUSY/I2C_BUSY	6	SPI_MISO/UART_BUSY
7	Reserved	8	VBAT
9	GND	10	RESET (not 5V tolerant)

8.2. ALFAT SD Board

ALFAT SD board is an OEM board uses ALFAT™ SoC processor. This board offers a seamless way to access files on SD, SDHC and MMC cards with ALFAT SoC processor. The board include a standard SD/MMC connector that includes a push spring.

The board includes pads for RTC 32.768Khz crystal but the crystal is not included.

All required signals are exposed through a 1x16 pin-mount. Also, if the desired interface is UART, all signals required are exposed through a secondary 2x5 pin-mount.



ALFAT SD Pin-out

1x16 pin-mount

Pin	Name	Pin	Name
1	UART_TX	9	WAKEUP
2	UART_RX/SPI_BUSY/I2C	10	ACTIVE

Pin	Name	Pin	Name
	_BUSY		
3	I2C_SCL	11	Reserved
4	I2C_SDA	12	VBAT
5	SPI_SCK	13	3.3V
6	SPI_MISO/UART_BUSY	14	RESET (not 5V tolerant)
7	SPI_MOSI	15	GND
8	SPI_SSEL	16	Not connected

2x5 pin-mount

Pin	Name	Pin	Name
1	3.3V	2	Not Connected
3	UART_TX	4	SPI_MOSI
5	UART_RX/SPI_BUSY/I2C_BUSY	6	SPI_MISO/UART_BUSY
7	Reserved	8	VBAT
9	GND	10	RESET (not 5V tolerant)

9. Conditions of Use and Performance

9.1. Selecting the Right Storage Media

Current storage media market is flooded with low grade devices. These devices may work on a PC but that doesn't mean the device was tested to follow the standards. Also, other devices may have advanced features not suitable for embedded devices. For example, some USB memory drives have a built in USB hub. We made our best to support a wide range of storage medias that follow the standards. But GHI Electronics does not guarantee that ALFAT will be able to access all storage media, especial if it one of the medias mentioned earlier.

For products that integrates ALFAT SoC process, it is important to test different media devices and offer a range of tested devices to end user. GHI Electronics doesn't recommend any specific brand but always recommends selecting a well known source. If media is not supported, a failure happens at initialization, not at file read and write usually. If a media mounts with no errors, in most cases, it is safe to assume it will function with no later issues.

As discussed in the integration section, power source is a big source of problems as well. ALFAT is capable of running at lower voltage or somewhat noisy voltage source. On the other hand, the media may or may not work with bad voltages. Make sure the voltage source to the media is reliable and there is large enough capacitor as close as possible to the media connector. We recommend adding 0.1uF and 22uF.

9.2. File Access Speed

There are many factors that affects the file access speed. Some storage media devices have internal buffering, others have high speed rating. But even on the exact same media, speeds might differ between different tests. Here are some factors that affect the speed on the same media: fragmentation, media life and voltage.

Fragmented storage runs slower because the system needs to spend more time, or even read more sectors from the FAT table, to find the needed cluster. Formatting the media should take care of this fragmentation.

Also, storage access speed decreases when the storage get closer to the end of life. The time needed to erase sectors increases while the device is maturing. Some sectors may even start failing at some point which causes more delays.

Finally, while some devices can run on a range of voltages, the lower the voltage the slower the device usually runs. Noisy power source may cause errors while accessing the media that slows the speed down.

9.3. Serial Interface Speed Overhead

The actual speed of a specific media can be easily determined using the E command, which range from 1000KBytes/sec to 4000KBytes/sec. This is the internal speed with complete FAT file system overhead. Such speeds are achieved when using the copy command. But when using other commands like read or write commands, the serial connection with the hosting system adds a major delay overhead.

When one of the serial interfaces is used to exchange the data with a hosting system, some command-response overhead is introduced. There is also a maximum clock and other restrictions on the interfaces. On an average, file access speed is about 230KBytes/sec when using UART or SPI and about 25KBytes/sec when using I2C. That is about the same when using SD, USB FS or USB HS.

To achieve higher writing speed, ALFAT command-set includes [L Command \(Fast Write to File command\)](#). Available for SPI interface only, this command is very similar to the W Command but, with L Command, it uses internal DMA to reach faster receiving rates. The average speed with this command is 1400KBytes/sec with SD cards, 1200KBytes/sec with USB HS and 750KBytes/sec with USB FS.

10. Error Codes

Error (HEX)	Description
0x00	Command successful.
0x01	Unknown command.
0x02	Incorrect parameters.
0x03	Operation failed. This error code is returned also if the user attempted to write to write-protected card.
0x04	Reached the end of the file/folder list. This is not an error.
0x10	Media does not initialize.
0x11	Initialize media failed. This error code is returned also if the card detect signal is high or floating, check Card Detect and Write Protect signals section for more details.
0x20	File/folder doesn't exist.
0x21	Failed to open the file.
0x22	Seek only runs on files open for read.
0x23	Seek value can only be within the file size.
0x24	File name can't be zero.
0x25	File name has forbidden character.
0x26	File/folder name already exists.
0x30	Invalid handle.
0x31	Handle source does not open.
0x32	Handle destination does not open.
0x33	Handle source requires file open for read mode..
0x34	Handle destination requires file open for write or append mode.
0x35	No more handle available.
0x36	Handle does not open.
0x37	Handle is already in use.
0x38	Open file mode invalid.
0x39	Handle requires write or append mode.
0x3A	Handle requires read mode.
0x40	The system is busy.
0x41	Command is supported with SPI interface only.
0xFF	Boot Loader indication code.

DISCLAIMER

IN NO EVENT SHALL GHI ELECTRONICS, LLC. OR ITS CONTRIBUTORS BE LIABLE FOR ANY DIRECT, INDIRECT, INCIDENTAL, SPECIAL, EXEMPLARY, OR CONSEQUENTIAL DAMAGES (INCLUDING, BUT NOT LIMITED TO, PROCUREMENT OF SUBSTITUTE GOODS OR SERVICES; LOSS OF USE, DATA, OR PROFITS; OR BUSINESS INTERRUPTION) HOWEVER CAUSED AND ON ANY THEORY OF LIABILITY, WHETHER IN CONTRACT, STRICT LIABILITY, OR TORT (INCLUDING NEGLIGENCE OR OTHERWISE) ARISING IN ANY WAY OUT OF THE USE OF THIS SOFTWARE, EVEN IF ADVISED OF THE POSSIBILITY OF SUCH DAMAGE. SPECIFICATIONS ARE SUBJECT TO CHANGE WITHOUT ANY NOTICE. PRICES ARE SUBJECT TO CHANGE WITHOUT ANY NOTICE. ALFAT SOC PROCESSOR AND ITS LINE OF OEM BOARDS ARE NOT DESIGNED FOR LIFE SUPPORT APPLICATIONS.

ALFAT is a Trademark of GHI Electronics, LLC
Other Trademarks and Registered Trademarks are
Owned by their Respective Companies.

GHI Electronics,LLC 2012



Компания «ЭлектроПласт» предлагает заключение долгосрочных отношений при поставках импортных электронных компонентов на взаимовыгодных условиях!

Наши преимущества:

- Оперативные поставки широкого спектра электронных компонентов отечественного и импортного производства напрямую от производителей и с крупнейших мировых складов;
- Поставка более 17-ти миллионов наименований электронных компонентов;
- Поставка сложных, дефицитных, либо снятых с производства позиций;
- Оперативные сроки поставки под заказ (от 5 рабочих дней);
- Экспресс доставка в любую точку России;
- Техническая поддержка проекта, помощь в подборе аналогов, поставка прототипов;
- Система менеджмента качества сертифицирована по Международному стандарту ISO 9001;
- Лицензия ФСБ на осуществление работ с использованием сведений, составляющих государственную тайну;
- Поставка специализированных компонентов (Xilinx, Altera, Analog Devices, Intersil, Interpoint, Microsemi, Aeroflex, Peregrine, Syfer, Eurofarad, Texas Instrument, Miteq, Cobham, E2V, MA-COM, Hittite, Mini-Circuits, General Dynamics и др.);

Помимо этого, одним из направлений компании «ЭлектроПласт» является направление «Источники питания». Мы предлагаем Вам помощь Конструкторского отдела:

- Подбор оптимального решения, техническое обоснование при выборе компонента;
- Подбор аналогов;
- Консультации по применению компонента;
- Поставка образцов и прототипов;
- Техническая поддержка проекта;
- Защита от снятия компонента с производства.



Как с нами связаться

Телефон: 8 (812) 309 58 32 (многоканальный)

Факс: 8 (812) 320-02-42

Электронная почта: org@eplast1.ru

Адрес: 198099, г. Санкт-Петербург, ул. Калинина, дом 2, корпус 4, литера А.