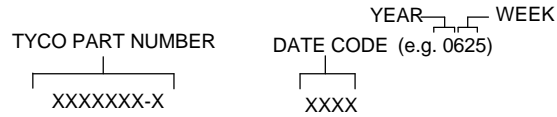


This drawing involves proprietary design rights of Tyco Electronics Corporation, and all design, manufacture, reproduction, use and sale rights regarding the same are expressly reserved. It is submitted for a specific purpose and the recipient by accepting this drawing, assumes custody and control and agrees to take reasonable precautions: (a) that this drawing will not be copied and reproduced, in whole or in part, or its contents revealed in any manner, or to any person except to meet the purpose for which it was delivered and (b) that any special features peculiar to this design will not be incorporated in other projects without the expressed written permission of Tyco Electronics Corporation.

REVISIONS			
ECO NUMBER	REV	DESCRIPTION	DATE
CPR	A	NEW RELEASE	02/14/06
ECO-06-011784	B	UPDATED NOTE 3 TERMINAL: TIN PLATED, MATTE FINISH	05/19/06

6. ITEMS PROVIDED TO THIS SPECIFICATION TO BE PERMANENTLY IDENTIFIED PER THE FOLLOWING IDENTIFIER:



5. ALL DIMENSIONS SHOWN ACROSS A CENTERLINE (C) SHALL BE CENTRALIZED WITHIN THE TOLERANCE INDICATED FOR THAT DIMENSION.

4. A REFERENCE DIMENSION (.XXX) IS WITHOUT TOLERANCE AND USED FOR INFORMATION PURPOSE ONLY.

3. FINISHES:

CONTACTS: SELECTIVE GOLD PLATED, .000030" MIN THICK OVER NICKEL PLATED, .000050" MIN THICK

TERMINALS: SELECTIVE TIN PLATED, MATTE FINISH, .000120" MIN THICK OVER NICKEL PLATED, .000050" MIN THICK

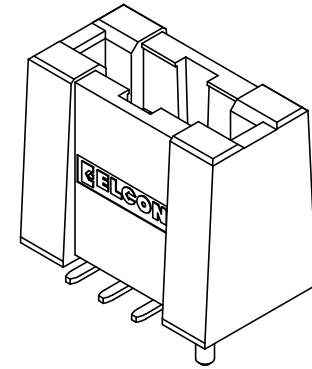
2. MATERIALS:

INSULATORS: THERMOPLASTIC, GLASS REINFORCED, COLOR-BLACK UL94V-0 FLAMMABILITY RATED

CONTACTS: COPPER ALLOY

1. PART NUMBER CHANGES AND OR DESIGN CHANGES AFFECTING ITEM INTERCHANGEABILITY REQUIRE PRIOR TYCO APPROVAL AND AUTHORIZATION BY REVISION TO THIS DRAWING.

NOTES: UNLESS OTHERWISE SPECIFIED

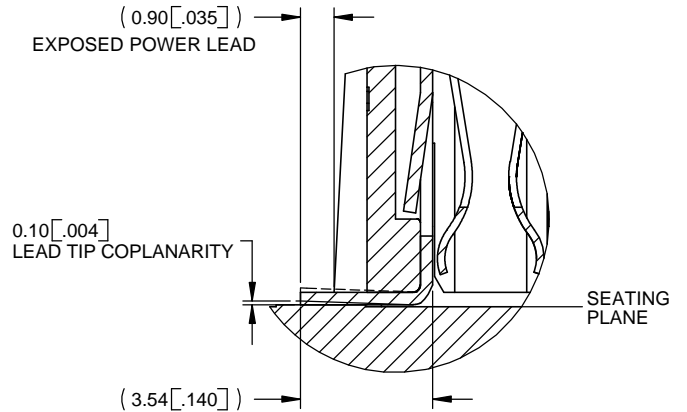
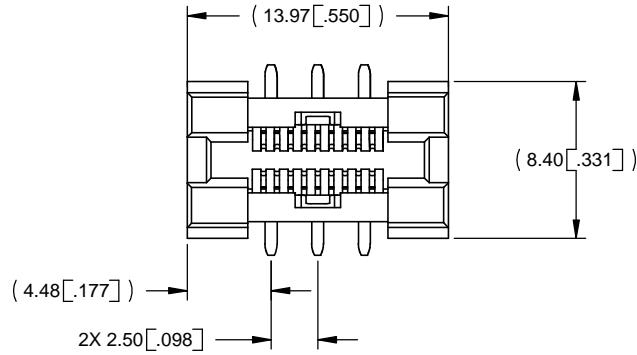


1926057-1	AS SHOWN
PART NUMBER	DESCRIPTION

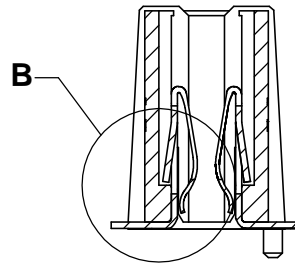
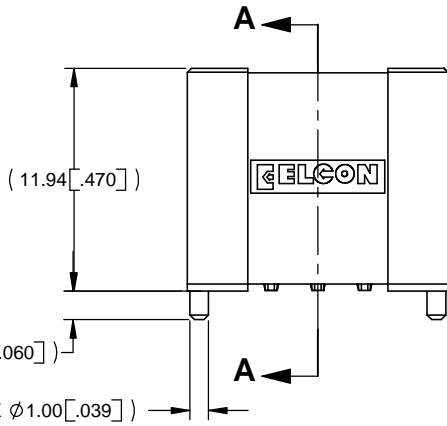
<p>THIRD ANGLE PROJECTION</p> <p>UNLESS OTHERWISE SPECIFIED DIMENSIONS ARE IN METRIC [INCHES]</p> <p>TOLERANCES</p> <p>ANGLES ± 2.0°</p> <p>DECIMALS</p> <p>.XX ± 0.25 [.010]</p> <p>.X ± 0.5 [.02]</p>	DRAWN HA NGUYEN	DATE 02/13/06	Tyco Electronics Corporation Menlo Park, CA 94025 	TITLE CONNECTOR, SOCKET, STRAIGHT SINGLE POWER, SURFACE MOUNT P1S0 CROWN EDGE		
	CHECKED			SIZE	DWG NUMBER	REV.
	APPROVED D. CHAU	05/19/06		B	C = 1926057	B
	DCA APPROVED HA NGUYEN	05/19/06		FILE NAME SC1926057B.SLDDRW		DWG SCALE: 4 = 1

This drawing involves proprietary design rights of Tyco Electronics Corporation, and all design, manufacture, reproduction, use and sale rights regarding the same are expressly reserved. It is submitted for a specific purpose and the recipient by accepting this drawing, assumes custody and control and agrees to take reasonable precautions: (a) that this drawing will not be copied and reproduced, in whole or in part, or its contents revealed in any manner, or to any person except to meet the purpose for which it was delivered and (b) that any special features peculiar to this design will not be incorporated in other projects without the expressed written permission of Tyco Electronics Corporation.

ECO NUMBER		REV	DESCRIPTION	DATE
			NEW RELEASE	



DETAIL B
SCALE 8 : 1

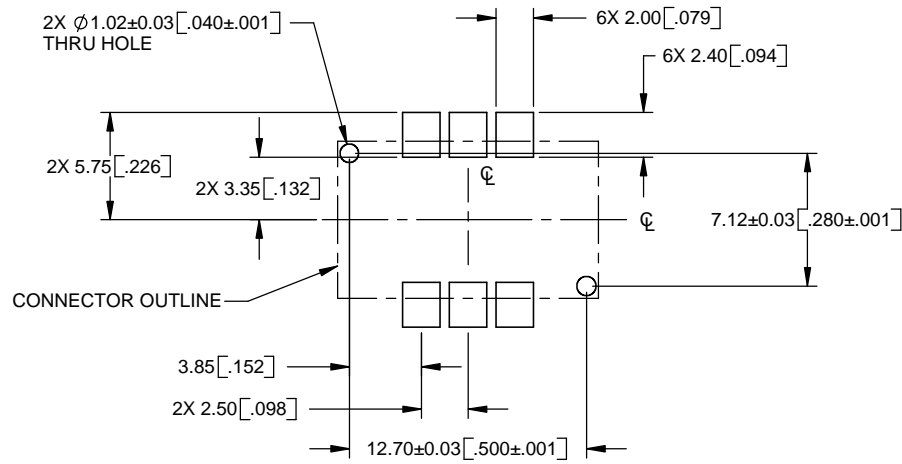


SECTION A-A
SCALE 4 : 1

THIRD ANGLE PROJECTION UNLESS OTHERWISE SPECIFIED DIMENSIONS ARE IN METRIC [INCHES] TOLERANCES ANGLES ± 2.0° DECIMALS .XX ± 0.25 [.010] .X ± 0.5 [.02]	DRAWN HA NGUYEN CHECKED APPROVED D. CHAU APPROVED DCA APPROVED HA NGUYEN FILE NAME SC1926057B.SLDDRW	DATE 02/13/06 05/19/06 05/19/06	Tyco Electronics Corporation Menlo Park, CA 94025
	TITLE CONNECTOR, SOCKET, STRAIGHT SINGLE POWER, SURFACE MOUNT P150 CROWN EDGE		SIZE B
	DWG NUMBER C = 1926057		REV. B
	DWG SCALE: 4 = 1		SH 2 OF 3

This drawing involves proprietary design rights of Tyco Electronics Corporation, and all design, manufacture, reproduction, use and sale rights regarding the same are expressly reserved. It is submitted for a specific purpose and the recipient by accepting this drawing, assumes custody and control and agrees to take reasonable precautions: (a) that this drawing will not be copied and reproduced, in whole or in part, or its contents revealed in any manner, or to any person except to meet the purpose for which it was delivered and (b) that any special features peculiar to this design will not be incorporated in other projects without the expressed written permission of Tyco Electronics Corporation.

REVISIONS		
ECO NUMBER	REV	DESCRIPTION
		SEE SHEET 1



RECOMMENDED SOLDER LAND GUIDELINE
AS VIEW FROM CONNECTOR MOUNTING SIDE

<p>THIRD ANGLE PROJECTION</p> <p>UNLESS OTHERWISE SPECIFIED DIMENSIONS ARE IN METRIC [INCHES]</p> <p>TOLERANCES</p> <p>ANGLES ± 2.0°</p> <p>DECIMALS</p> <p>.XX ± 0.25 [.010]</p> <p>.X ± 0.5 [.02]</p>	<p>DRAWN</p> <p>HA NGUYEN</p>	<p>DATE</p> <p>02/13/06</p>	<p>Tyco Electronics Corporation Menlo Park, CA 94025</p>	
	<p>CHECKED</p>		<p>TITLE</p> <p>USER INFORMATION RECOMMENDED SOLDER LAND GUIDELINE</p>	
	<p>APPROVED</p> <p>D. CHAU</p>	<p>05/19/06</p>	<p>SIZE</p> <p>B</p>	<p>DWG NUMBER</p> <p>C = 1926057</p>
	<p>DCA APPROVED</p> <p>HA NGUYEN</p>	<p>05/19/06</p>	<p>REV.</p> <p>B</p>	
<p>FILE NAME</p> <p>SC1926057B.SLDDRW</p>		<p>DWG SCALE: 4 = 1</p>	<p>SH 3 OF 3</p>	



Компания «ЭлектроПласт» предлагает заключение долгосрочных отношений при поставках импортных электронных компонентов на взаимовыгодных условиях!

Наши преимущества:

- Оперативные поставки широкого спектра электронных компонентов отечественного и импортного производства напрямую от производителей и с крупнейших мировых складов;
- Поставка более 17-ти миллионов наименований электронных компонентов;
- Поставка сложных, дефицитных, либо снятых с производства позиций;
- Оперативные сроки поставки под заказ (от 5 рабочих дней);
- Экспресс доставка в любую точку России;
- Техническая поддержка проекта, помощь в подборе аналогов, поставка прототипов;
- Система менеджмента качества сертифицирована по Международному стандарту ISO 9001;
- Лицензия ФСБ на осуществление работ с использованием сведений, составляющих государственную тайну;
- Поставка специализированных компонентов (Xilinx, Altera, Analog Devices, Intersil, Interpoint, Microsemi, Aeroflex, Peregrine, Syfer, Eurofarad, Texas Instrument, Miteq, Cobham, E2V, MA-COM, Hittite, Mini-Circuits, General Dynamics и др.);

Помимо этого, одним из направлений компании «ЭлектроПласт» является направление «Источники питания». Мы предлагаем Вам помощь Конструкторского отдела:

- Подбор оптимального решения, техническое обоснование при выборе компонента;
- Подбор аналогов;
- Консультации по применению компонента;
- Поставка образцов и прототипов;
- Техническая поддержка проекта;
- Защита от снятия компонента с производства.



Как с нами связаться

Телефон: 8 (812) 309 58 32 (многоканальный)

Факс: 8 (812) 320-02-42

Электронная почта: org@eplast1.ru

Адрес: 198099, г. Санкт-Петербург, ул. Калинина, дом 2, корпус 4, литера А.