

4

3

2

1

This drawing involves proprietary design rights of Tyco Electronics Corporation, and all design, manufacture, reproduction, use and sale rights regarding the same are expressly reserved. It is submitted for a specific purpose and the recipient by accepting this drawing, assumes custody and control and agrees to take reasonable precautions: (a) that this drawing will not be copied and reproduced, in whole or in part, or its contents revealed in any manner, or to any person except to meet the purpose for which it was delivered and (b) that any special features peculiar to this design will not be incorporated in other projects without the expressed written permission of Tyco Electronics Corporation.

REVISIONS			
EC	REV	DESCRIPTION	DATE
CPR	A	NEW RELEASE	03/04/06

TYPICAL SPECIFICATION TABLE			
POSITION	CONTACT SIZE	RATING	VOLTAGE RATING
1 - 3	#16	15 AMPERES	250 VOLTS
4 - 19	#20	5 AMPERES	250 VOLTS
20 - 22	#12	35 AMPERES	250 VOLTS

6. ITEMS PROVIDED TO THIS SPECIFICATION TO BE PERMANENTLY IDENTIFIED PER THE FOLLOWING IDENTIFIER:

YEAR  WEEK

TYCO PART NUMBER DATE CODE (e.g. 0625)

XXXXXXX-X      XXXX

5. ALL DIMENSIONS SHOWN ACROSS A CENTERLINE (⊘) SHALL BE CENTRALIZED WITHIN THE TOLERANCE INDICATED FOR THAT DIMENSION.

4. A REFERENCE DIMENSION (.XXX) IS WITHOUT TOLERANCE AND USED FOR INFORMATION PURPOSE ONLY.

3. RECOMMENDED MOUNTING HARDWARE: TO BE ORDERED SEPARATELY.

- FOR PANEL MOUNTING, USE

1650402-1: SHOULDER SCREW, #8-32

1650106-1: SHOULDER SCREW, #6-32

1650589-1: SHOULDER SCREW, M4X0.7

- FOR PCB MOUNTING, USE COMMERCIALY AVAILABLE SCREW AND WASHER (IF REQUIRED).

2. MATERIALS:

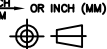


HOUSING: THERMOPLASTIC, GLASS REINFORCED, COLOR-BLACK  
UL94V-0 FLAMMABILITY RATED.

RETENTION CLIP: COPPER ALLOY OR STAINLESS STEEL

1. PART NUMBER CHANGES AND OR DESIGN CHANGES AFFECTING ITEM INTERCHANGEABILITY REQUIRE PRIOR ELCON APPROVAL AND AUTHORIZATION BY REVISION TO THIS DRAWING.

NOTES: UNLESS OTHERWISE SPECIFIED

1648112-1	AS SHOWN
PART NUMBER	DESCRIPTION

 THIRD ANGLE PROJECTION UNLESS OTHERWISE SPECIFIED DIMENSIONS ARE IN INCHES (METRIC) TOLERANCES ANGLES ± .5° DECIMALS .XXX ± .010 (.25) .XX ± .02 (.3)	DRAWN HA NGUYEN	DATE 03/04/06	 Tyco Electronics Corporation Menlo Park, Ca 94025 	
	CHECKED			TITLE CONNECTOR, PIN HOUSING #16, #20, #12 CONFIGURATION MINI DRAWER
	APPROVED			SIZE DWG NUMBER B C = 1648112
	APPROVED STEVE FLICKINGER	03/04/06		REV. A
	DCA APPROVED HA NGUYEN	03/04/06		
	ACAD FILE NUMBER	C1648112A.DWG	DWG SCALE 1=1 SH 1 OF 3	

4

3

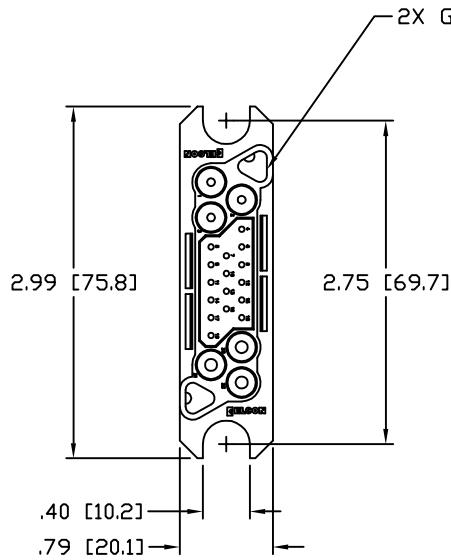
2

1

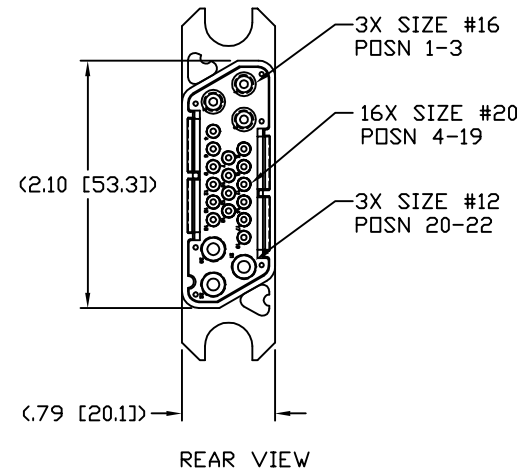
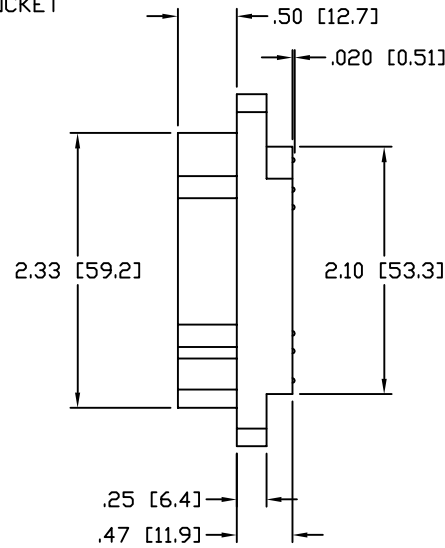
This drawing involves proprietary design rights of Tyco Electronics Corporation, and all design, manufacture, reproduction, use and sale rights regarding the same are expressly reserved. It is submitted for a specific purpose and the recipient by accepting this drawing, assumes custody and control and agrees to take reasonable precautions: (a) that this drawing will not be copied and reproduced, in whole or in part, or its contents revealed in any manner, or to any person except to meet the purpose for which it was delivered and (b) that any special features peculiar to this design will not be incorporated in other projects without the expressed written permission of Tyco Electronics Corporation.



REVISIONS			
EC	REV	DESCRIPTION	DATE
		SEE SHEET 1	



FRONT VIEW

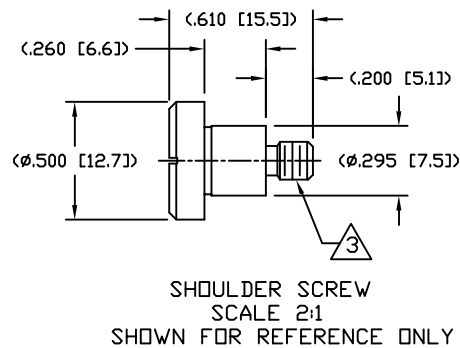
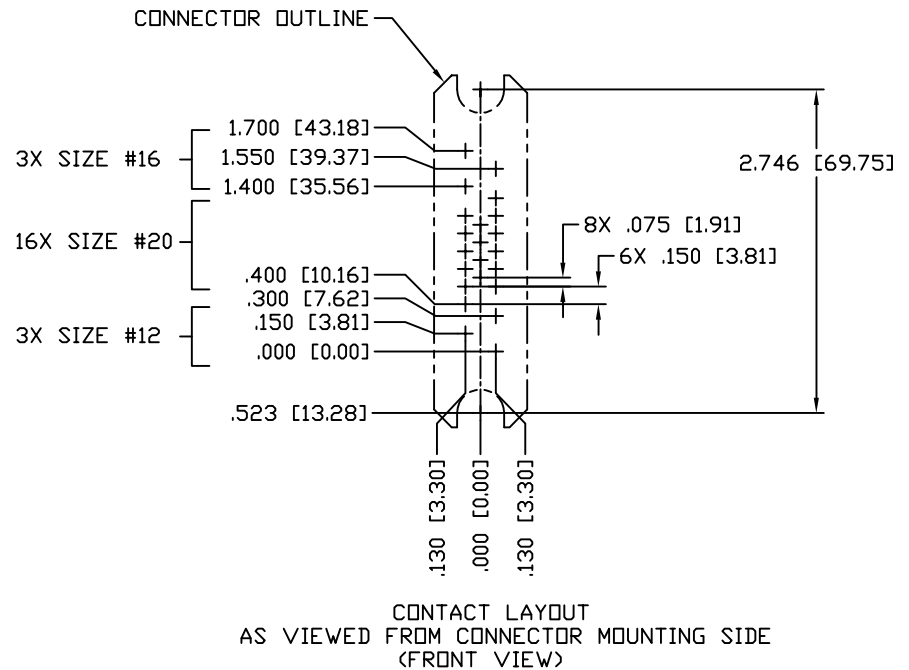
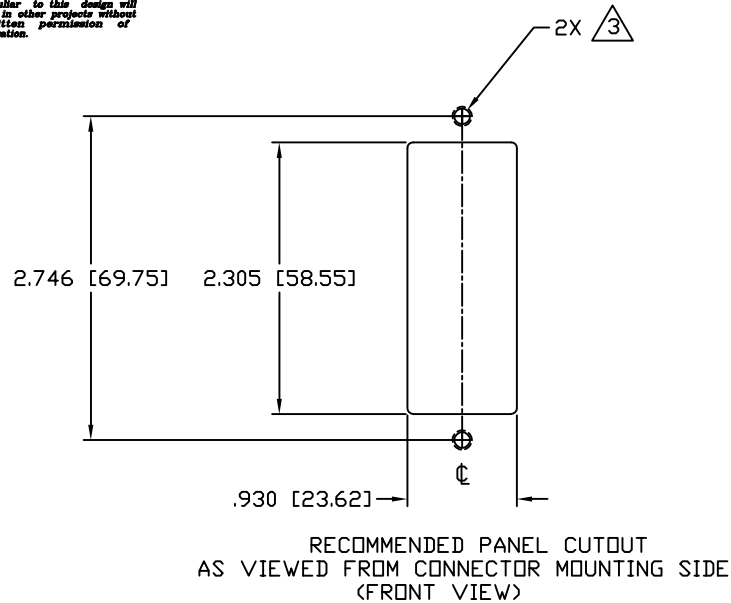


REAR VIEW

INCH OR INCH (MM)  THIRD ANGLE PROJECTION UNLESS OTHERWISE SPECIFIED DIMENSIONS ARE IN INCHES (METRIC) TOLERANCES ANGLES ± .5° DECIMALS .XXX ± .010 (.25) .XX ± .02 (.3)	DRAWN	DATE	Tyco Electronics Corporation Menlo Park, Ca 94025
	HA NGUYEN	03/04/06	
	CHECKED		
	APPROVED		
	APPROVED		TITLE
	STEVE FLICKINGER	03/04/06	CONNECTOR, PIN HOUSING #16, #20, #12 CONFIGURATION MINI DRAWER
	DCA APPROVED		SIZE DWG NUMBER
	HA NGUYEN	03/04/06	B C = 1648112
	ACAD FILE NUMBER	C1648112A.DWG	REV. A
			DWG SCALE 1=1 SH 2 OF 3

This drawing involves proprietary design rights of Tyco Electronics Corporation, and all design, manufacture, reproduction, use and sale rights regarding the same are expressly reserved. It is submitted for a specific purpose and the recipient by accepting this drawing, assumes custody and control and agrees to take reasonable precautions: (a) that this drawing will not be copied and reproduced, in whole or in part, or its contents revealed in any manner, or to any person except to meet the purpose for which it was delivered and (b) that any special features peculiar to this design will not be incorporated in other projects without the expressed written permission of Tyco Electronics Corporation.

REVISIONS			
EC	REV	DESCRIPTION	DATE
		SEE SHEET 1	



INCH OR INCH (MM)  THIRD ANGLE PROJECTION UNLESS OTHERWISE SPECIFIED DIMENSIONS ARE IN INCHES (METRIC) TOLERANCES ANGLES $\pm .5^\circ$ DECIMALS .XXX $\pm .010$ (.25) .XX $\pm .02$ (.3)	DRAWN HA NGUYEN	DATE 03/04/06	Tyco Electronics Corporation Menlo Park, Ca 94025 	
	CHECKED			TITLE USER INFORMATION RECOMMENDED PANEL CUTOUT AND CONTACT LAYOUT
	APPROVED		SIZE DWG NUMBER B C = 1648112	REV. A
	STEVE FLICKINGER DCA APPROVED HA NGUYEN ACAD FILE NUMBER C1648112A.DWG	APPROVED 03/04/06 03/04/06	DWG SCALE 1=1	SH 3 OF 3



Компания «ЭлектроПласт» предлагает заключение долгосрочных отношений при поставках импортных электронных компонентов на взаимовыгодных условиях!

Наши преимущества:

- Оперативные поставки широкого спектра электронных компонентов отечественного и импортного производства напрямую от производителей и с крупнейших мировых складов;
- Поставка более 17-ти миллионов наименований электронных компонентов;
- Поставка сложных, дефицитных, либо снятых с производства позиций;
- Оперативные сроки поставки под заказ (от 5 рабочих дней);
- Экспресс доставка в любую точку России;
- Техническая поддержка проекта, помощь в подборе аналогов, поставка прототипов;
- Система менеджмента качества сертифицирована по Международному стандарту ISO 9001;
- Лицензия ФСБ на осуществление работ с использованием сведений, составляющих государственную тайну;
- Поставка специализированных компонентов (Xilinx, Altera, Analog Devices, Intersil, Interpoint, Microsemi, Aeroflex, Peregrine, Syfer, Eurofarad, Texas Instrument, Miteq, Cobham, E2V, MA-COM, Hittite, Mini-Circuits, General Dynamics и др.);

Помимо этого, одним из направлений компании «ЭлектроПласт» является направление «Источники питания». Мы предлагаем Вам помощь Конструкторского отдела:

- Подбор оптимального решения, техническое обоснование при выборе компонента;
- Подбор аналогов;
- Консультации по применению компонента;
- Поставка образцов и прототипов;
- Техническая поддержка проекта;
- Защита от снятия компонента с производства.



#### Как с нами связаться

**Телефон:** 8 (812) 309 58 32 (многоканальный)

**Факс:** 8 (812) 320-02-42

**Электронная почта:** [org@eplast1.ru](mailto:org@eplast1.ru)

**Адрес:** 198099, г. Санкт-Петербург, ул. Калинина, дом 2, корпус 4, литера А.