



# QPQ1285

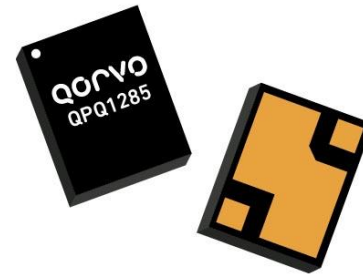
## TDD B41 Band Pass Filter – 194 MHz

### General Description

The QPQ1285 is an exceptionally high performance BAW Filter for sub-Band 41 uplink / downlink. This filter is housed in a compact 2x1.6 mm package for base station applications.

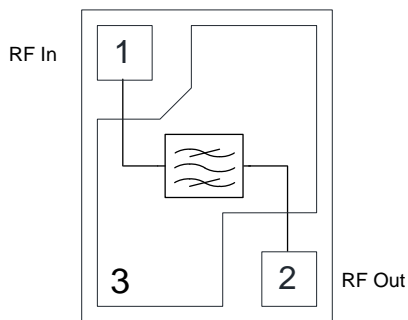
Low insertion loss, coupled with high attenuation makes this filter an ideal choice for TDD Macro Cells and Small Cells.

The QPQ1285 is part of Qorvo's extensive portfolio of RF BAW and SAW filters.



3 Pin 2 x 1.6 mm leadless SMT Package

### Functional Block Diagram



Top View

### Pin Configuration

Pin No.	Label
1	RF In
2	RF Out
3	GND Back Side Paddle

### Product Features

- 194 MHz Bandwidth – Band 41
- High Attenuation
- Low Loss
- No External Matching Required
- Excellent Wi-Fi Rejection
- Single Input, Single Output Operation
- Small Size: 2.00 x 1.60 x 0.73 mm
- Surface Mount Device
- RoHS Compliant, Pb-Free

### Applications

- Band 41
- Base Station Infrastructure
- Small Cells
- Repeaters
- Routers
- LTE Dongles
- General Purpose Wireless

### Ordering Information

Part No.	Description
QPQ1285SR	100 pieces on a 7" reel
QPQ1285TR7	2,500 pieces on a 7" reel (standard)
QPQ1285EVB	Evaluation Board

## Absolute Maximum Ratings

Parameter	Rating
Storage Temperature	-40 to +125 °C
Operation Temperature	-40 to +95 °C

Exceeding any one or a combination of the Absolute Maximum Rating conditions may cause permanent damage to the device. Extended application of Absolute Maximum Rating conditions to the device may reduce device reliability.

## Life Test

Conditions	Rating
+29 dBm, +95 °C, FD-LTE, 5MHz 16QAM, 5MHz, PAR=8.5dB	>102,000 Hrs.
+29 dBm, +85 °C, FD-LTE, 5MHz 16QAM, 5MHz, PAR=8.5dB	>294,000 Hrs.
+24 dBm, +95 °C, FD-LTE, 5MHz 16QAM, 5MHz, PAR=8.5dB	>15M Hrs.

Power is applied to Pin 1.

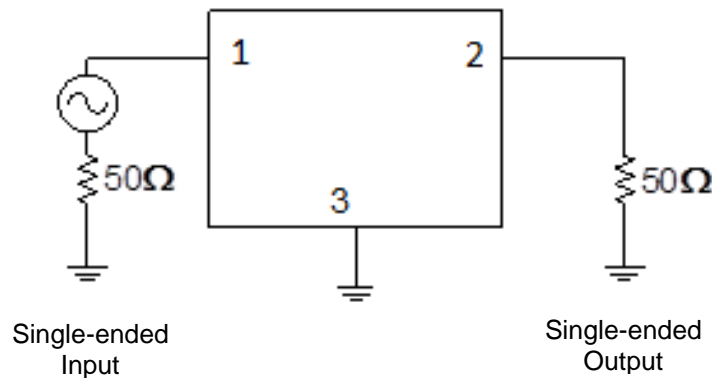
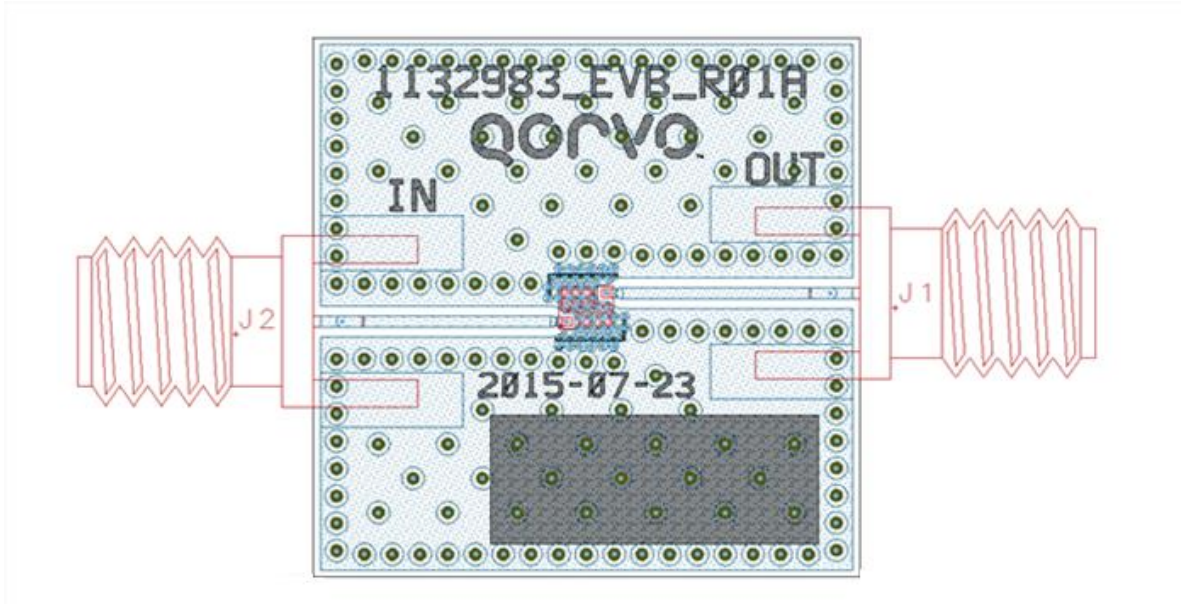
## Electrical Specifications

Parameter	Conditions	Min	Typ	Max	Unit
Frequency Range		2496		2690	MHz
Insertion Loss		-	3.5	4.3	dB
Amplitude Variation <sup>(3)</sup>		-	1.1	2.1	dB
	Any 5 MHz Window	-	0.4	1.2	dB
Input / Output Return Loss		10	13	-	dB
Integrated Rejection (over 20 MHz Bandwidth)	2402 - 2422 MHz	40	53	-	dB
	2407 - 2427 MHz	45	57	-	dB
	2412 - 2432 MHz	50	60	-	dB
	2417 - 2437 MHz	50	61	-	dB
	2422 - 2442 MHz	50	60	-	dB
	2427 - 2447 MHz	50	60	-	dB
	2432 - 2452 MHz	50	60	-	dB
	2437 - 2457 MHz	50	60	-	dB
	2442 - 2462 MHz	50	59	-	dB
	2447 - 2467 MHz	50	57	-	dB
	2452 - 2472 MHz	50	55	-	dB
	2412 - 2467 MHz	50	57	-	dB
Attenuation <sup>(4)</sup>	10 - 700 MHz	41	48	-	dB
	701 - 900 MHz	28	34	-	dB
	901 - 1564 MHz	22	28	-	dB
	1565 - 1615 MHz (GPS)	33	41	-	dB
	1616 - 1709 MHz	31	40	-	dB
	1710 - 1880 MHz (B3)	26	32	-	dB
	1920 - 2170 MHz (B1)	15	18	-	dB
	2300 - 2330 MHz	17	21	-	dB
	2472 - 2477 MHz (WiFi Ch12)		36	-	dB
	3000 - 3900 MHz	27	30	-	dB
	3900 - 4100 MHz	15	18	-	dB
	4100 - 6000 MHz	34	27	-	dB
	6000 - 7500 MHz	29	36	-	dB
	7500 - 8000 MHz	25	33	-	dB
Harmonics	H2: 2496-2690 MHz, 5 MHz Step, 28 dBm	60	70	-	dBc
	H3: 2496-2690 MHz, 5 MHz Step, 28 dBm	100	110	-	dBc

**Notes:**

1. Test conditions unless otherwise noted: Temp = -40 °C to +95 °C
2. All specifications are based on the QORVO schematic for the main reference design shown on page 3.
3. This is defined as the worst difference between a peak and adjacent valley within defined frequency points
4. Attenuation is referenced to ZERO dB

**Evaluation Board and Schematic**

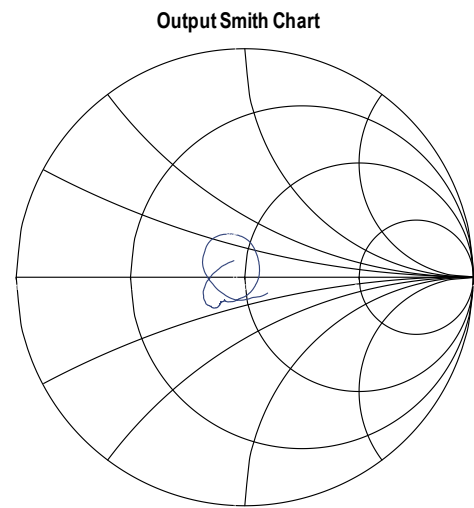
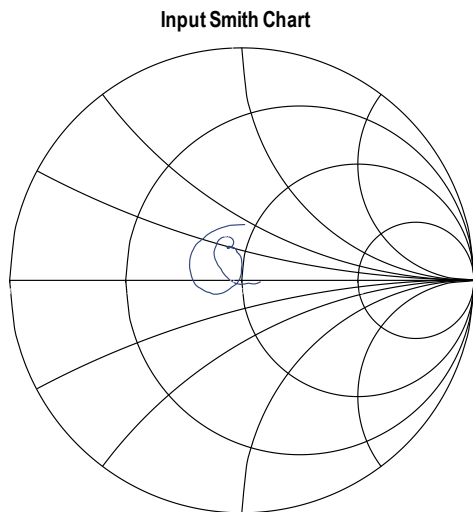
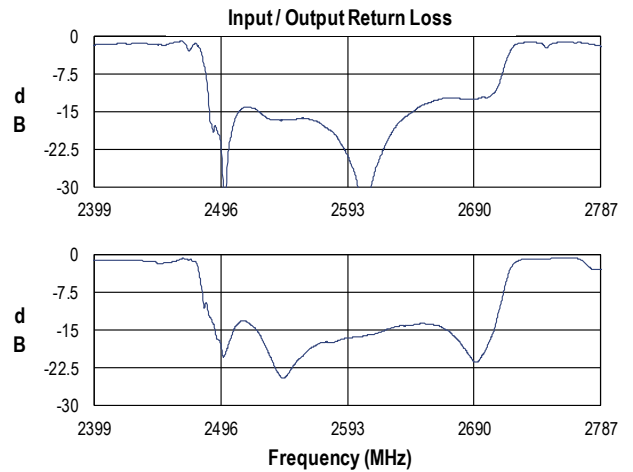
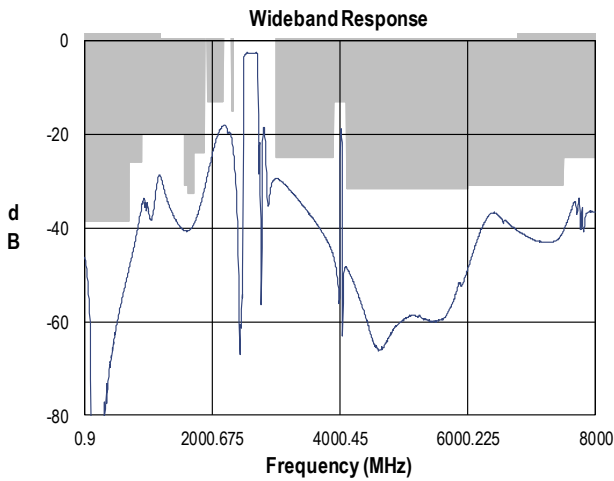
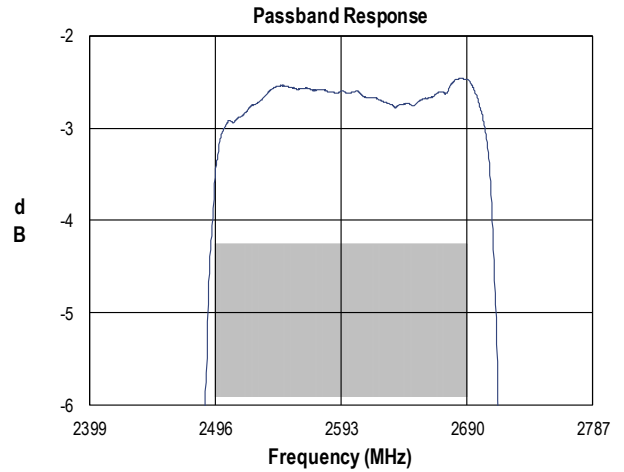
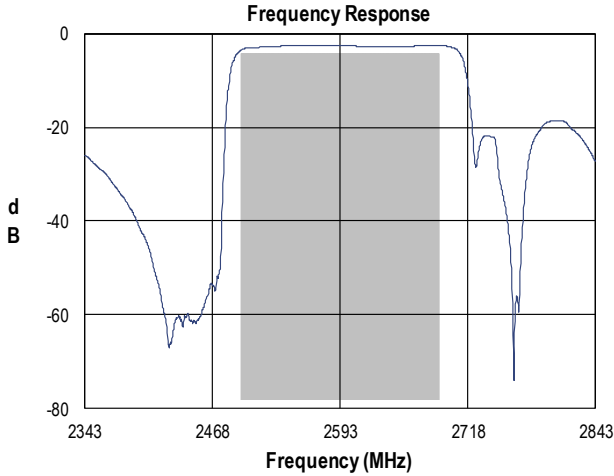


**Bill of Material**

Reference	Value	Description	Manufacturer	Part Number
U1	N/A	Band 41 BAW Filter	Qorvo	QPQ1285
N/A	N/A	Printed Circuit Board	Qorvo	1132983
N/A	N/A	SMA Edge Connector	Radial	9602-1111-018

**Performance Plots – Application Circuit**

Test conditions unless otherwise noted: Temp.= +25 °C

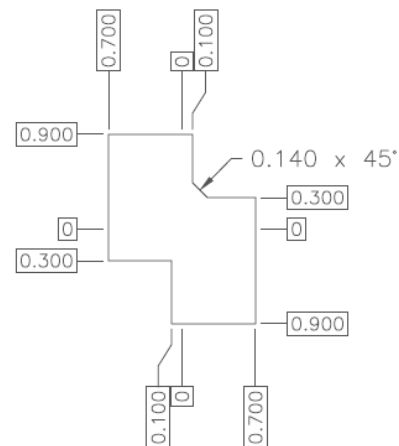
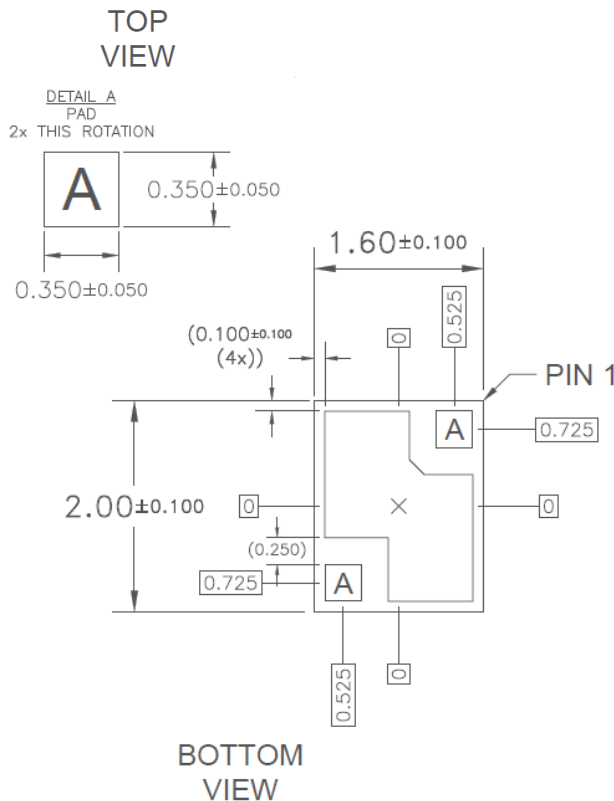
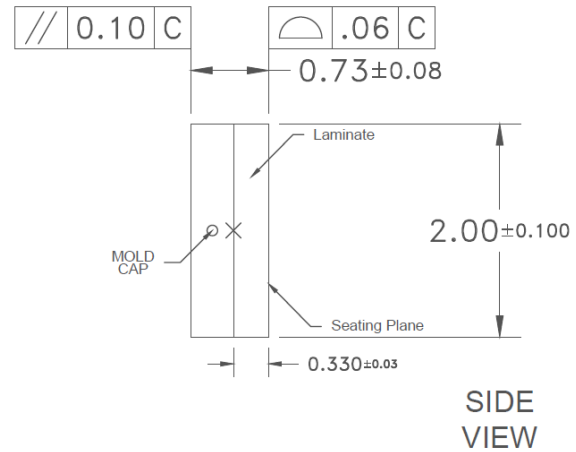
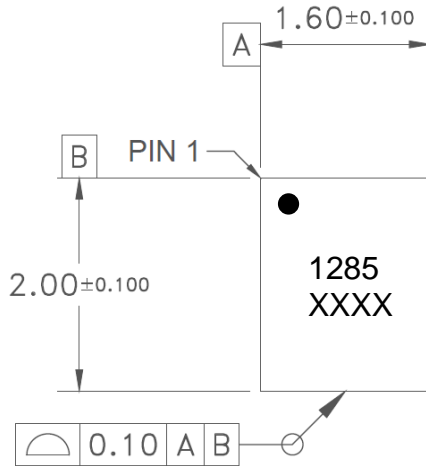


**Package Marking and Dimensions**

**Marking**

4-digit Part number: 1285  
 4-digit Trace code: XXXX

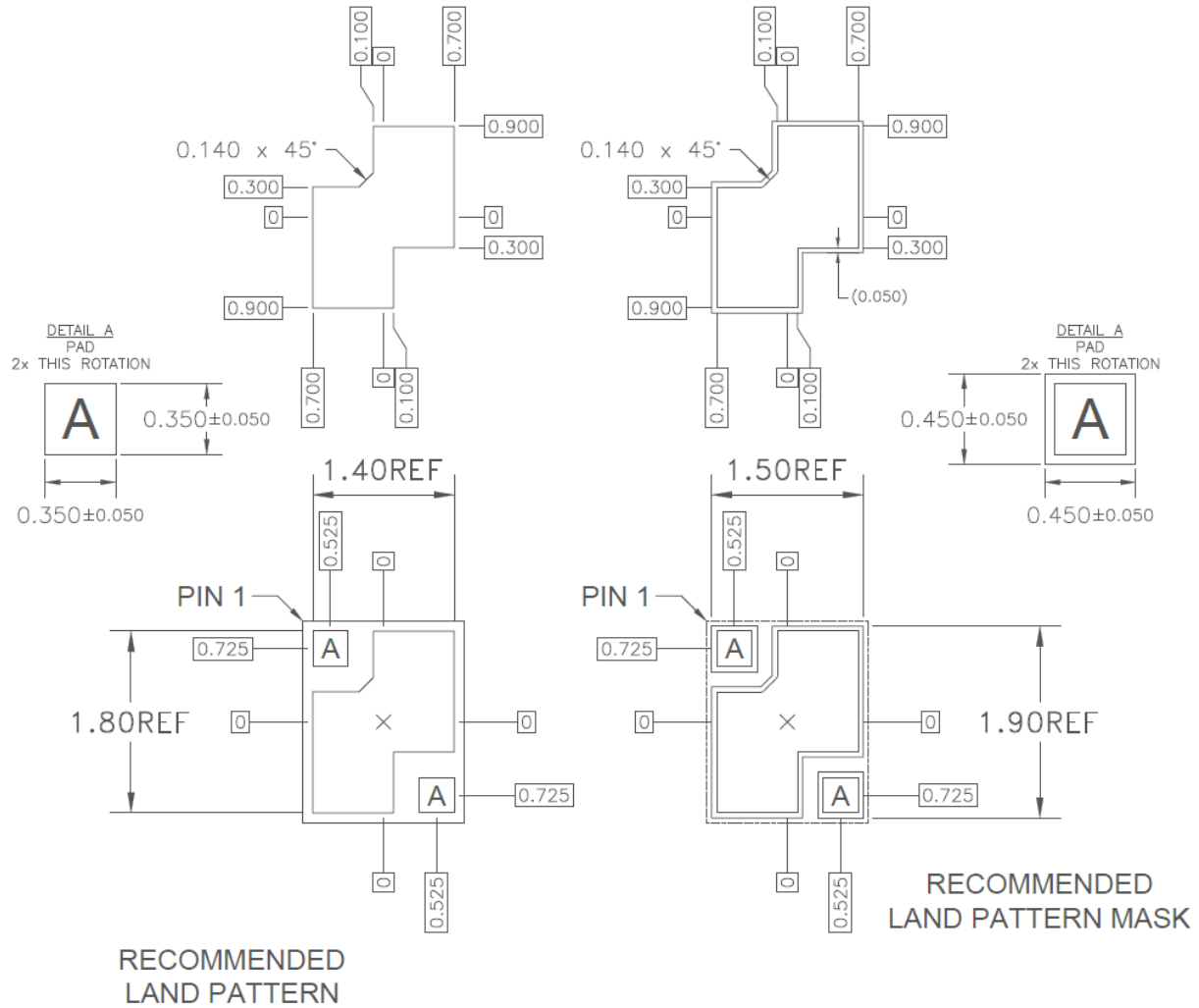
Body: Al<sub>2</sub>O<sub>3</sub> ceramic  
 Lid: Kovar, Au over Ni plating  
 Terminations: Au plating 0.5 - 1.0µm, over a 2-6µm Ni plating



- Notes:
1. All dimensions are in millimeters. Angles are in degrees.
  2. Dimension and tolerance formats conform to ASME Y14.4M-1994.
  3. The terminal #1 identifier and terminal numbering conform to JESD 95-1 SPP-012.

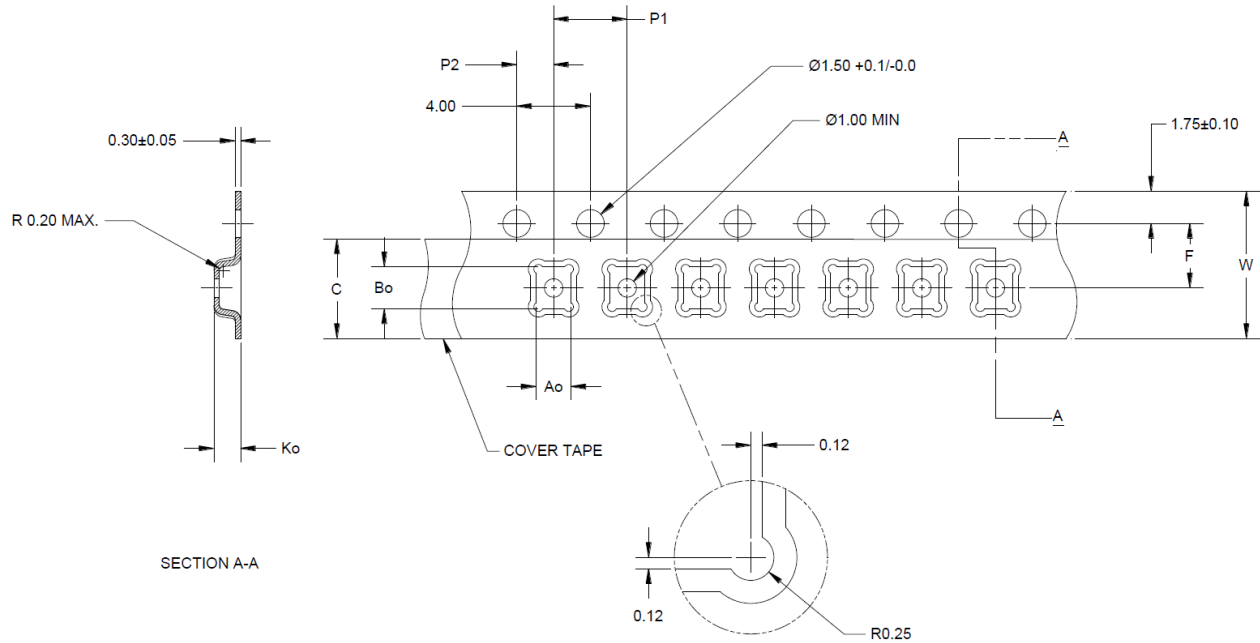
**PCB Mounting Pattern**

All dimensions are in millimeters

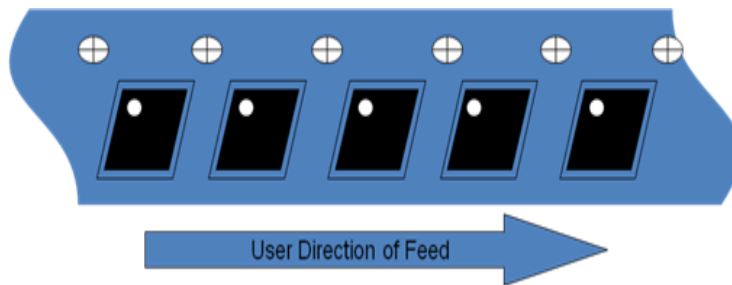


**Tape and Reel Information – Carrier and Cover Tape Dimensions**

Tape and reel specifications for this part are also available on the Qorvo website.  
 Standard T/R size = 2500 pieces on a 7” reel.

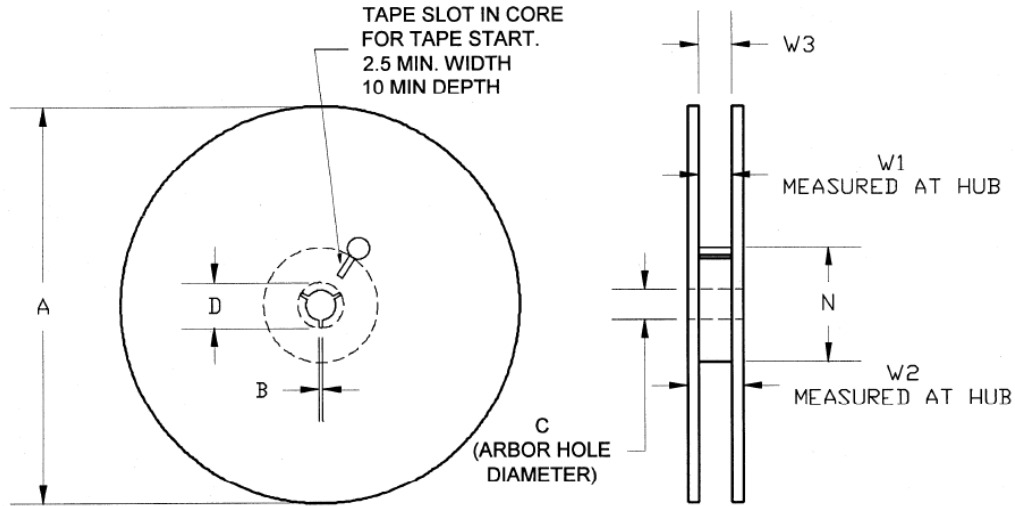


Feature	Measure	Symbol	Size (in)	Size (mm)
Cavity	Length	A0	0.077	1.95
	Width	B0	0.093	2.35
	Depth	K0	0.045	1.15
	Pitch	P1	0.157	4.00
Centerline Distance	Cavity to Perforation - Length Direction	P2	0.079	2.00
	Cavity to Perforation - Width Direction	F	0.138	3.50
Cover Tape	Width	C	0.213	5.40
Carrier Tape	Width	W	0.315	8.00



**Tape and Reel Information – Reel Dimensions**

Tape and reel specifications for this part are also available on the Qorvo website.  
 Standard T/R size = 2500 pieces on a 7" reel.



Feature	Measure	Symbol	Size (in)	Size (mm)
Flange	Diameter	A	6.969	177.0
	Thickness	W2	0.559	14.2
	Space Between Flange	W1	0.346	8.8
Hub	Outer Diameter	N	2.283	58.0
	Arbor Hole Diameter	C	0.512	13.0
	Key Slit Width	B	0.079	2.0
	Key Slit Diameter	D	0.787	20.0



## Handling Precautions

Parameter	Rating	Standard
ESD – Human Body Model (HBM)	Class 1C	ANSI / ESD / JEDEC JS-001
ESD – Charged Device Model (CDM)	Class C3	ANSI / ESD / JEDEC JS-002
MSL – Moisture Sensitivity Level	Level 3	IPC/JEDEC J-STD-020



Caution!  
ESD-Sensitive Device

## Solderability

Compatible with lead-free (260°C max. reflow temp.) soldering process.  
Solder profiles available upon request.

Contact plating: Ni Au

## RoHS Compliance

This part is compliant with 2011/65/EU RoHS directive (Restrictions on the Use of Certain Hazardous Substances in Electrical and Electronic Equipment) as amended by Directive 2015/863/EU.

This product also has the following attributes:

- Lead Free
- Halogen Free (Chlorine, Bromine)
- Antimony Free
- TBBP-A (C<sub>15</sub>H<sub>12</sub>Br<sub>4</sub>O<sub>2</sub>) Free
- PFOS Free
- SVHC Free



## Contact Information

For the latest specifications, additional product information, worldwide sales and distribution locations:

**Web:** [www.qorvo.com](http://www.qorvo.com)

**Tel:** 1-844-890-8163

**Email:** [customer.support@qorvo.com](mailto:customer.support@qorvo.com)

For technical questions and application information:

**Email:** [appsupport@qorvo.com](mailto:appsupport@qorvo.com)

## Important Notice

The information contained herein is believed to be reliable; however, Qorvo makes no warranties regarding the information contained herein and assumes no responsibility or liability whatsoever for the use of the information contained herein. All information contained herein is subject to change without notice. Customers should obtain and verify the latest relevant information before placing orders for Qorvo products. The information contained herein or any use of such information does not grant, explicitly or implicitly, to any party any patent rights, licenses, or any other intellectual property rights, whether with regard to such information itself or anything described by such information. **THIS INFORMATION DOES NOT CONSTITUTE A WARRANTY WITH RESPECT TO THE PRODUCTS DESCRIBED HEREIN, AND QORVO HEREBY DISCLAIMS ANY AND ALL WARRANTIES WITH RESPECT TO SUCH PRODUCTS WHETHER EXPRESS OR IMPLIED BY LAW, COURSE OF DEALING, COURSE OF PERFORMANCE, USAGE OF TRADE OR OTHERWISE, INCLUDING THE IMPLIED WARRANTIES OF MERCHANTABILITY AND FITNESS FOR A PARTICULAR PURPOSE.**

Without limiting the generality of the foregoing, Qorvo products are not warranted or authorized for use as critical components in medical, life-saving, or life-sustaining applications, or other applications where a failure would reasonably be expected to cause severe personal injury or death.

Copyright 2018 © Qorvo, Inc. | Qorvo is a registered trademark of Qorvo, Inc.



Компания «ЭлектроПласт» предлагает заключение долгосрочных отношений при поставках импортных электронных компонентов на взаимовыгодных условиях!

Наши преимущества:

- Оперативные поставки широкого спектра электронных компонентов отечественного и импортного производства напрямую от производителей и с крупнейших мировых складов;
- Поставка более 17-ти миллионов наименований электронных компонентов;
- Поставка сложных, дефицитных, либо снятых с производства позиций;
- Оперативные сроки поставки под заказ (от 5 рабочих дней);
- Экспресс доставка в любую точку России;
- Техническая поддержка проекта, помощь в подборе аналогов, поставка прототипов;
- Система менеджмента качества сертифицирована по Международному стандарту ISO 9001;
- Лицензия ФСБ на осуществление работ с использованием сведений, составляющих государственную тайну;
- Поставка специализированных компонентов (Xilinx, Altera, Analog Devices, Intersil, Interpoint, Microsemi, Aeroflex, Peregrine, Syfer, Eurofarad, Texas Instrument, Miteq, Cobham, E2V, MA-COM, Hittite, Mini-Circuits, General Dynamics и др.);

Помимо этого, одним из направлений компании «ЭлектроПласт» является направление «Источники питания». Мы предлагаем Вам помощь Конструкторского отдела:

- Подбор оптимального решения, техническое обоснование при выборе компонента;
- Подбор аналогов;
- Консультации по применению компонента;
- Поставка образцов и прототипов;
- Техническая поддержка проекта;
- Защита от снятия компонента с производства.



#### Как с нами связаться

**Телефон:** 8 (812) 309 58 32 (многоканальный)

**Факс:** 8 (812) 320-02-42

**Электронная почта:** [org@eplast1.ru](mailto:org@eplast1.ru)

**Адрес:** 198099, г. Санкт-Петербург, ул. Калинина, дом 2, корпус 4, литера А.