

8000 series

Ruggedized switch joysticks

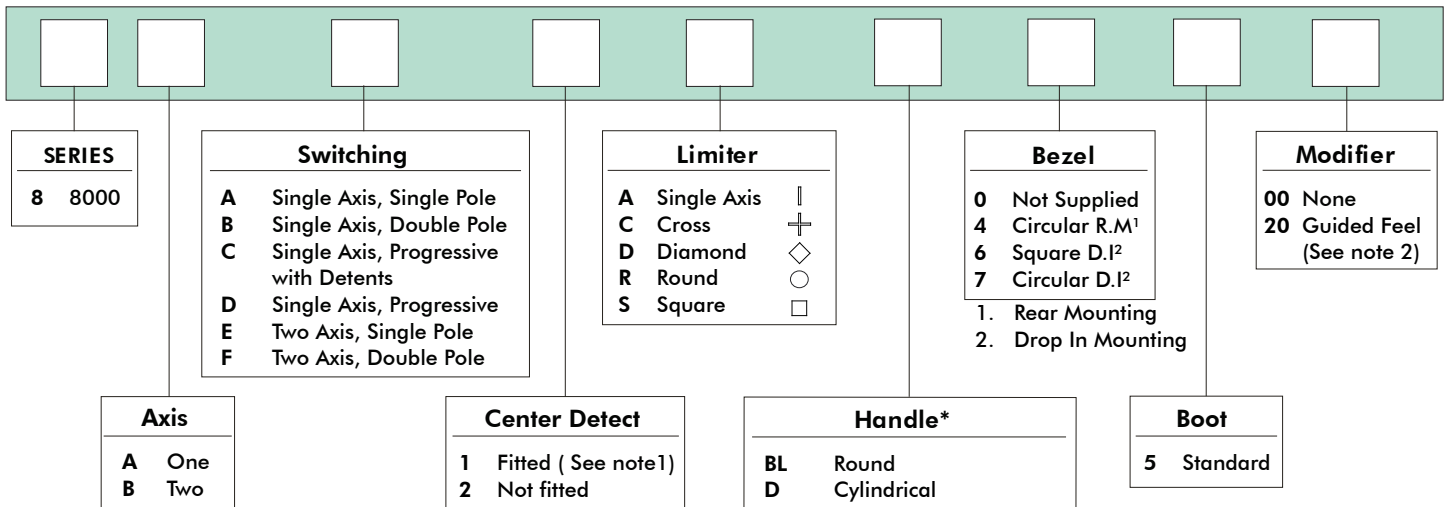
Distinctive features and specifications



- One or two axis
- Optional center detect microswitch
- Wide range of handle options
- Up to 1AMP operation
- Gold plated contacts
- Single step or progressive switching

TECHNICAL SPECIFICATIONS

- Mechanical Life Cycles: > 1 Million Operations
- Current Rating: To 1A
- Weight: 98 Grams (0.20lb)
- Operating Deflection: $\pm 18^\circ$
- Shaft Diameter: 5mm (0.20in)
- Shaft Material: Stainless Steel
- Boot: Neoprene
- Maximum Voltage: 125VAC
- Switch Contacts: Gold Plated
- Above Panel Seal: IP65
- Body Material: Glass Reinforced ABS
- Gimbal Pivot: Acetal & Hardened Steel
- Other Materials: Brass, Acetal, Nylon
- Temperature Range: -25°C to $+80^\circ\text{C}$ (-13°F to $+76^\circ\text{F}$)



NOTES:

1. The additional center detect switch is not available on joysticks with progressive switching.
2. Guided feel is only available on two axis joysticks. Further non-standard options including custom handles, special limiters and detents are available. Please refer to APEM.
3. Only a square limiter will allow sufficient travel in a diagonal direction to activate both speed and steer switches.

BEZEL OPTIONS

For drop-in mounting, please specify bezel option 6 or 7. For sub-panel mounting, no bezel is necessary, unless the boot is required to seal to the front face of the panel in which case option 4 should be specified. Bezels 6 & 7 clamp the boot and top face of the joystick body to the panel when bezel 4 clamps only the boot. Some handles may be larger than some panel cut-outs. This may restrict the choice for mounting and bezel options. Please refer to APEM for assistance.

SPRINGING

As standard 8000 series are offered sprung to center. The standard spring force requires 1.6N (nominally) to off-center the joystick. The 8000 series may be specified with a lighter spring (1N).

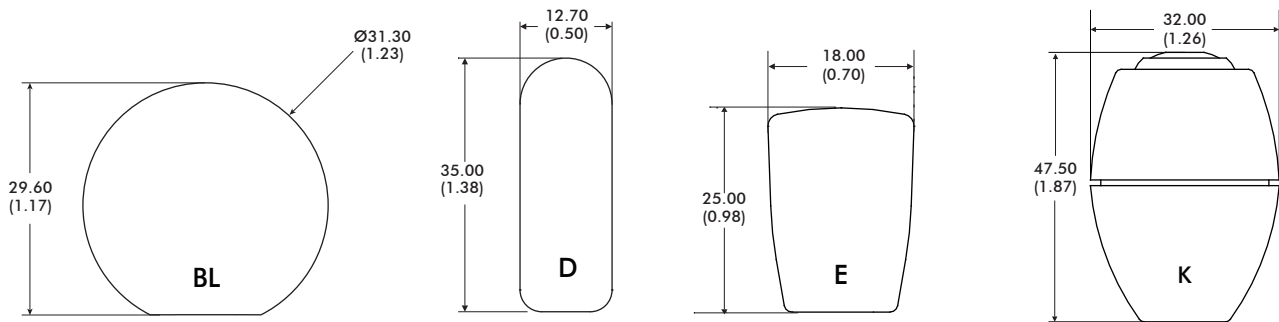
NOTE: Forces quoted are subject to exact joystick configuration and are provided as a guide only.

* For more handles see next page

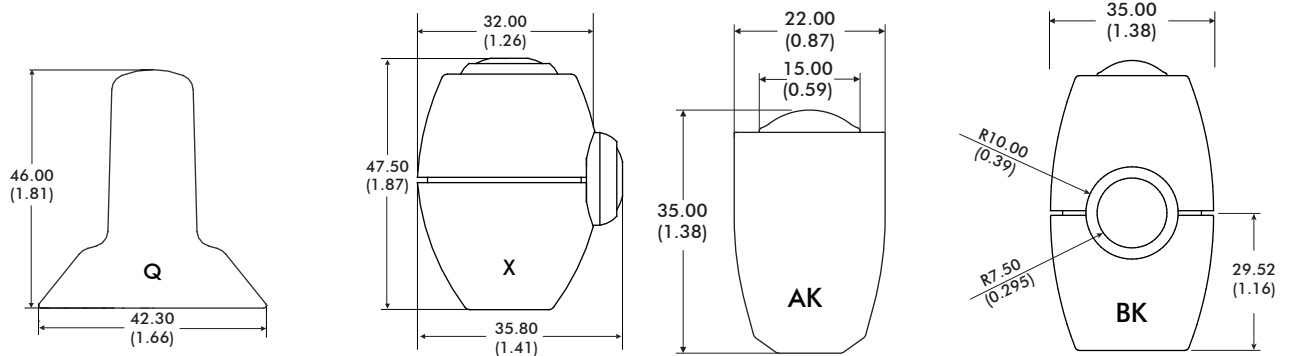
8000 series

Ruggedized switch joysticks

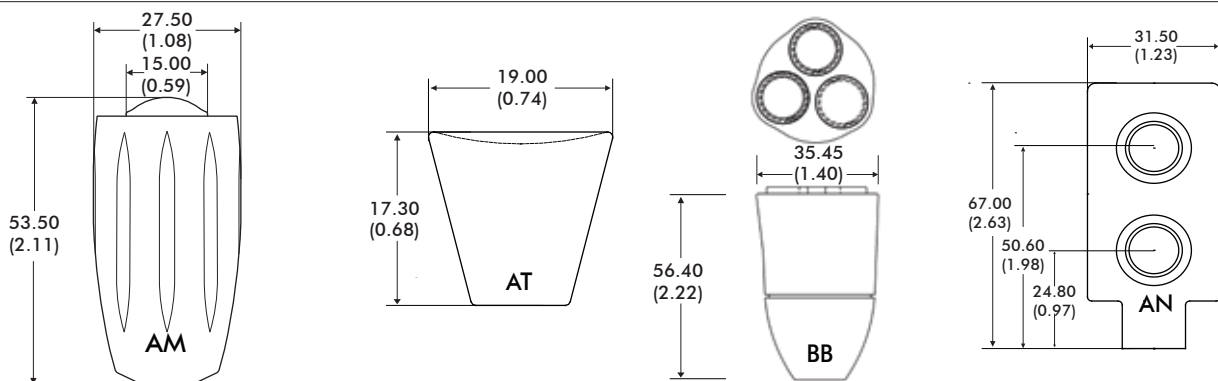
Overview



MATERIAL	Nylon	Aluminum	Nylon	ABS
FINISH	Sparkled Matt	Anodised	Sparkled Matt	Sparkled Matt
STANDARD COLOR	Black	Black	Black	Black
OTHER COLORS	Not Available	Not Available	Upon Request	Not Available
NOTES:				Uses APEM IS Switches



MATERIAL	Nylon	ABS	Aluminum	ABS
FINISH	Sparkled Matt	Sparkled Matt	Anodised	Sparkled Matt
STANDARD COLOR	Black	Black	Black	Black
OTHER COLORS	Not Available	Not Available	Not Available	Upon Request
NOTES:		Uses APEM IS Switches Requires drop-in mounting	Uses APEM IA Switches	Uses APEM IA Switches



MATERIAL	Aluminum	Nylon	Nylon	Delrin
FINISH	Anodised	Sparkled Matt	Sparkled Matt	Gloss
STANDARD COLOR	Black	Black	Black	Black
OTHER COLORS	Not Available	Upon Request	Not Available	Not Available
NOTES:	Uses APEM IA Switches		Uses APEM IL Switches Requires drop-in mounting	Uses APEM IL Switches

NOTES:

1. Dimensions are in mm/(inch).
2. Unless otherwise specified, all joysticks are supplied with black switches in the handles.

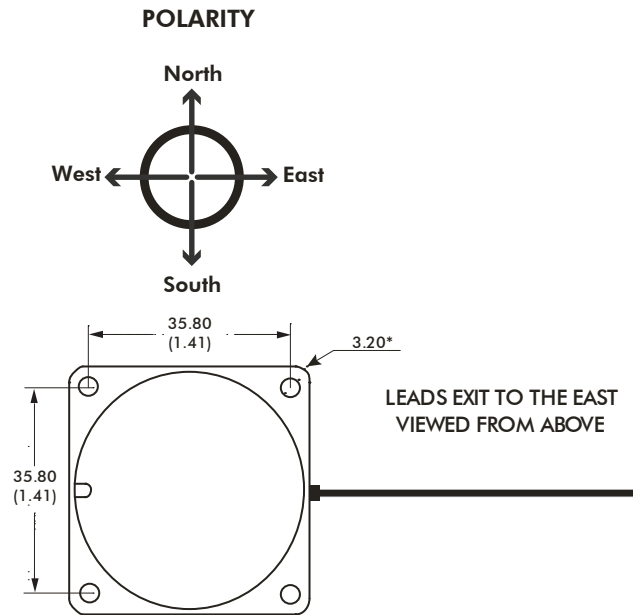
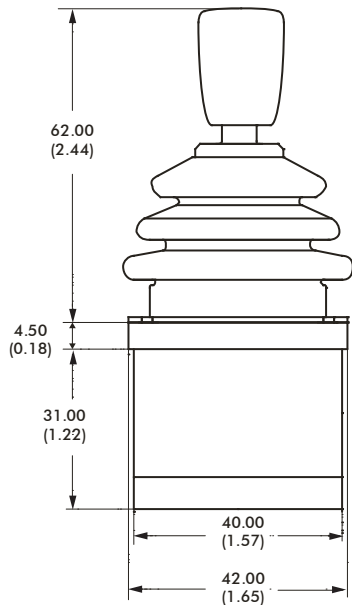
Note: The company reserves the right to change specifications without notice.

8000 series

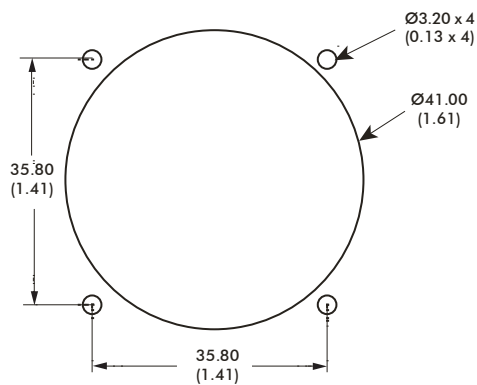
Ruggedized switch joysticks

Overview

GENERAL DIMENSIONS



DROP IN MOUNTING - PANEL CUT-OUT & MOUNTING INSTALLATION



The joystick is dropped into the panel cut-out. The joystick and boot must be kept in place by bezel (option 6 & 7). For panel thickness of <3mm, M3 x 16 countersunk machine screws are recommended. To ensure a good panel seal, gaskets are available as an optional extra.

NOTES:

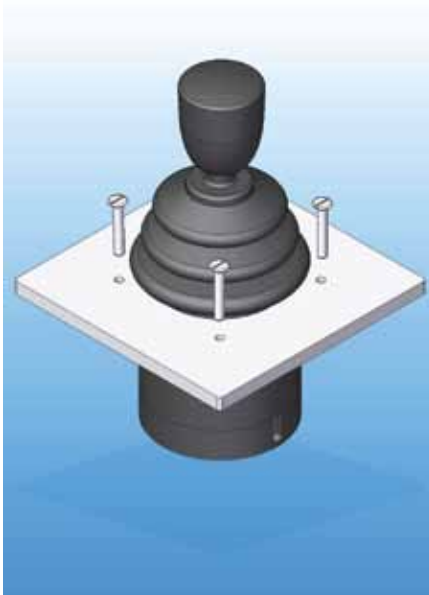
1. Dimensions are in mm/(inch).
2. The dimensions shown are for a generic 8000 series with the conical E type handle. For specific dimensions of this or any other configuration please refer to APEM.

8000 series

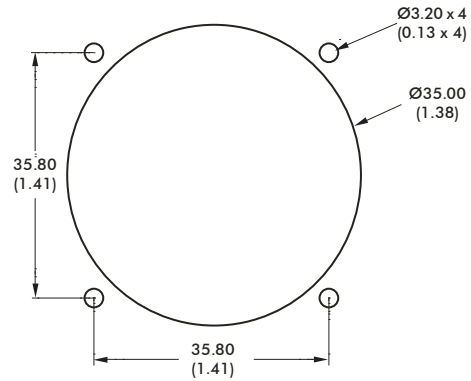
Ruggedized switch joysticks

Overview

MOUNTING OPTION A - PANEL CUT-OUT & MOUNTING INSTALLATION

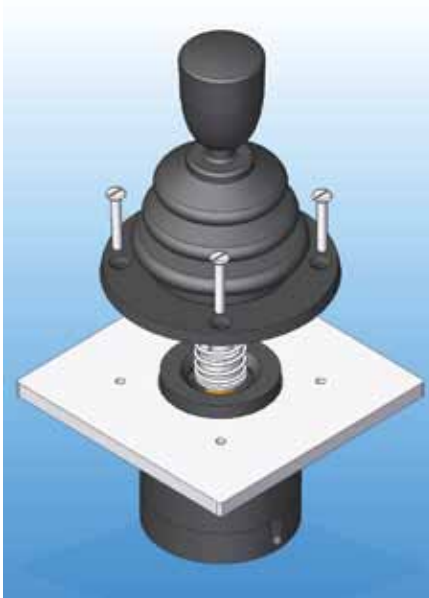


MOUNTING CUT-OUT

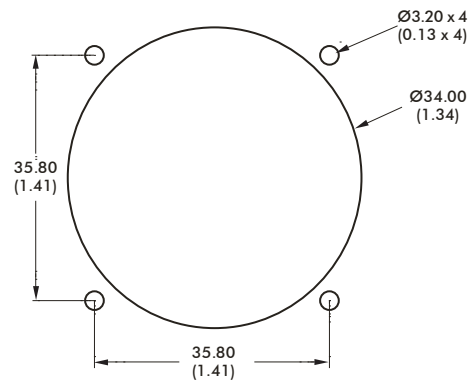


When mounted this way the panel acts as the bezel and no separate bezel is needed. M3 machine screws are recommended.

MOUNTING OPTION B - PANEL CUT-OUT & MOUNTING INSTALLATION



MOUNTING CUT-OUT



The joystick flange is mounted beneath the panel and the base of the boot must be brought through the panel cut-out and held in place with the circular bezel (option 4). For panel thicknesses of 3mm, M3 x 16 countersunk machine screws are recommended.

NOTES:

- When sub panel mounting, great care should be taken not to damage the boot, or any of the mechanism under the boot. All panel cut-outs should be free from sharp edges and swarf that may damage the boot.
- Some handles are larger than the recommended panel cut-out, in which case drop-in mounting must be specified.

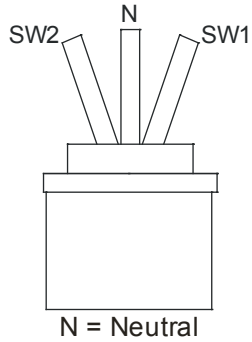
8000 series

Ruggedized switch joysticks

Overview

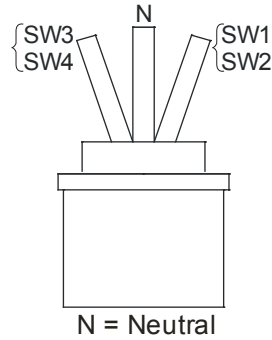
SINGLE AXIS CONFIGURATIONS

SWITCHING OPTION A



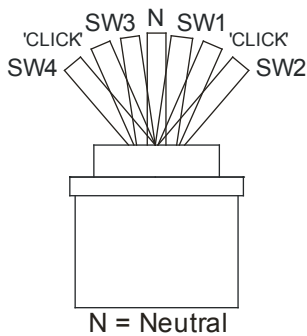
One switch will actuate as the joystick moves away from center in either direction.

SWITCHING OPTION B



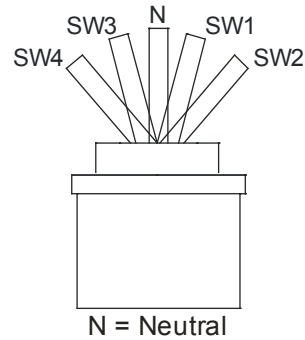
Two switches will actuate as the joystick moves away from center, in either direction.

SWITCHING OPTION C



As per option D, but with a mechanical detent between actuation of the first and second switch.

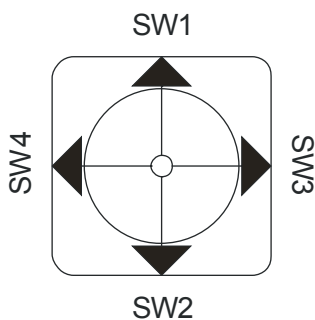
SWITCHING OPTION D



One switch will actuate after 50% of travel, with a further switch at the end of travel, in either direction.

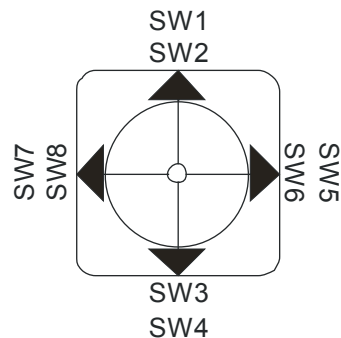
TWO AXIS CONFIGURATIONS

SWITCHING OPTION E



One switch will actuate in each of the four directions: North, South, East & West.

SWITCHING OPTION F



Two switches will actuate in each of the four directions: North, South, East & West.

8000 series

Ruggedized switch joysticks

Overview

SWITCHING OPTIONS

The following configurations are available as standard :

Single Axis - Single Pole : One switch in each of the the two directions; North & South.

Single Axis - Double Pole : Two switches in each of the the two directions; North & South.

Single Axis - Progressive : One switch will actuate after 8 degrees of movement, with a further switch actuating after another 10 degrees of movement, in either direction.

Single Axis - Progressive with detents : As above, but with a mechanical detent at the point of the first switch actuation in each direction.

Dual Axis - Single Pole : One switch in each of the four positions; North, South, East and West.

Dual Axis - Double Pole : Two switches in each of the four positions; North, South, East and West.

Note : Double Pole switching is designed such that both switches in any given position trigger nominally together.

Many configurations are also available with a further microswitch actuating when the joystick is at center, for center detection purposes.

MICROSWITCHES

The 8000 series utilizes industrial quality microswitches with changeover contacts. As standard, the switches are rated to a maximum of 1 Amp, and have gold plated contacts for reliable switching at low current levels. Please note when specifying a joystick with a pushbutton handle the characteristics of the pushbutton will be different from the microswitches. Please refer to APEM for full details and characteristics of your chosen configuration.

GUIDED FEEL

8000 series joysticks may also be specified with guided feel. A joystick with guided feel moves more readily towards the poles (North, South, East and West) and whilst it can still move away from the poles, the force required to do so is greater. Unless specified otherwise, joysticks are supplied as standard without guiding. This standard configuration allows the user to move the joystick anywhere within the limiter with the same force and without any bias.

CABLE SPECIFICATION

As standard the joysticks are supplied utilizing the normally open contacts of the microswitches.

For connection to the normally closed contacts, please specify this as part of your special modification.

Cable information may be subject to specification, please refer to APEM for details. Connectors and custom looms may be factory fitted upon request.

14/0.12 – Fourteen strands of 0.12mm diameter tinned annealed copper wire PVC insulated, to a nominal OD of 1mm

Red	– Common	Black	– First Switch East
Blue	– Second Switch West	Yellow	– Second Switch East
Green	– First Switch West	Purple	– First Switch South
Orange	– Second Switch North	White	– Second Switch South
Brown	– First Switch North	Gray	– Center Detect Switch

7/0.127 – Seven strands of 0.127mm diameter tinned copper wire ETFE insulated, to a nominal OD of 0.7mm

Orange	– First Pushbutton (Top of Handle)	Green	– Second Pushbutton
--------	------------------------------------	-------	---------------------

NOTE: All 8000 series are supplied with 150mm of twisted cable harness, with tinned ends.

Note: The company reserves the right to change specifications without notice.



Компания «ЭлектроПласт» предлагает заключение долгосрочных отношений при поставках импортных электронных компонентов на взаимовыгодных условиях!

Наши преимущества:

- Оперативные поставки широкого спектра электронных компонентов отечественного и импортного производства напрямую от производителей и с крупнейших мировых складов;
- Поставка более 17-ти миллионов наименований электронных компонентов;
- Поставка сложных, дефицитных, либо снятых с производства позиций;
- Оперативные сроки поставки под заказ (от 5 рабочих дней);
- Экспресс доставка в любую точку России;
- Техническая поддержка проекта, помощь в подборе аналогов, поставка прототипов;
- Система менеджмента качества сертифицирована по Международному стандарту ISO 9001;
- Лицензия ФСБ на осуществление работ с использованием сведений, составляющих государственную тайну;
- Поставка специализированных компонентов (Xilinx, Altera, Analog Devices, Intersil, Interpoint, Microsemi, Aeroflex, Peregrine, Syfer, Eurofarad, Texas Instrument, Miteq, Cobham, E2V, MA-COM, Hittite, Mini-Circuits, General Dynamics и др.);

Помимо этого, одним из направлений компании «ЭлектроПласт» является направление «Источники питания». Мы предлагаем Вам помощь Конструкторского отдела:

- Подбор оптимального решения, техническое обоснование при выборе компонента;
- Подбор аналогов;
- Консультации по применению компонента;
- Поставка образцов и прототипов;
- Техническая поддержка проекта;
- Защита от снятия компонента с производства.



Как с нами связаться

Телефон: 8 (812) 309 58 32 (многоканальный)

Факс: 8 (812) 320-02-42

Электронная почта: org@eplast1.ru

Адрес: 198099, г. Санкт-Петербург, ул. Калинина, дом 2, корпус 4, литера А.