

CAN FD Transceiver with Silent Mode

Features

- Silent Mode is Useful in the Following Applications:
 - Disables transmitter in redundant systems
 - Implements babbling idiot protection
 - Tests connection of bus medium
 - Prevents a faulty CAN controller from disrupting all network communications
- Optimized for CAN FD at 2, 5 and 8 Mbps Operation:
 - Maximum propagation delay: 120 ns
 - Loop delay symmetry: $\pm 10\%$ (2 Mbps)
- Meets or Exceeds Stringent Automotive Design Requirements Including “Hardware Requirements for LIN, CAN and FlexRay Interfaces in Automotive Applications”, Version 1.3, May 2012:
 - Conducted emissions at 2 Mbps with Common-Mode Choke (CMC)
 - DPI at 2 Mbps with CMC
- Meets SAE J2962/2 “Communication Transceivers Qualification Requirements – CAN”
 - Passes radiated emissions at 2 Mbps without a CMC
- Meets Latest ISO/DIS-11898-2:2015
- Meets Latest SAE J2284-4 and -5 Working Drafts
- Digital Inputs of the MCP2557FD are Compatible to 3.3V and 5V Microcontrollers. RXD Output Requires a 5V Tolerant Microcontroller Input
- Functional Behavior Predictable Under all Supply Conditions:
 - Device is in Unpowered mode if VDD drops below Power-on Reset (POR) level
 - Device is in Unpowered mode if VIO drops below POR level

Applications

CAN 2.0 and CAN FD networks in Automotive, Industrial, Aerospace, Medical, and Consumer applications.

MCP2557FD/8FD Family Members

| Device | Vio Pin | NC | TTL I/O | Vio I/O | Description |
|-----------|---------|-----|---------|---------|---|
| MCP2557FD | N/A | Yes | Yes | N/A | — |
| MCP2558FD | Yes | N/A | N/A | Yes | Internal level shifter on digital I/O pins. |

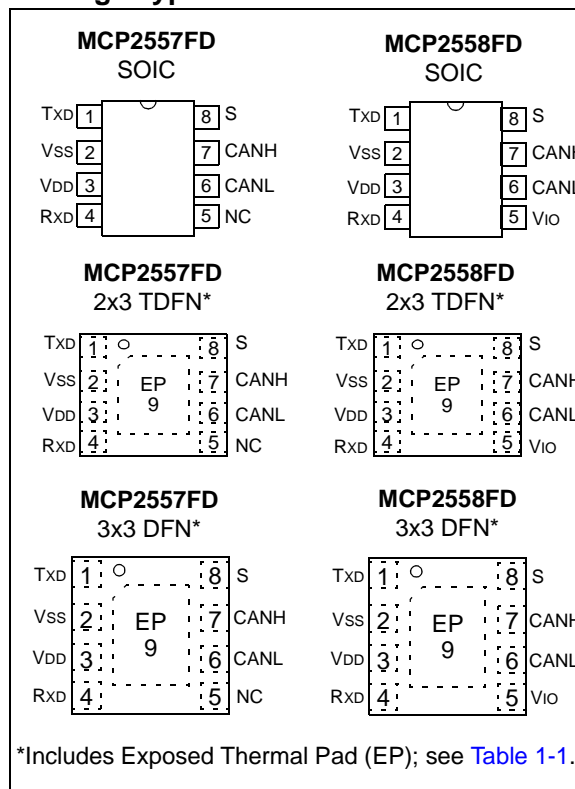
Note: For ordering information, see the [Product Identification System](#) section.

Description

The MCP2557FD/8FD CAN transceiver family is designed for high-speed CAN FD applications with up to 8 Mbps communication speed. The maximum propagation delay was improved to support longer bus length.

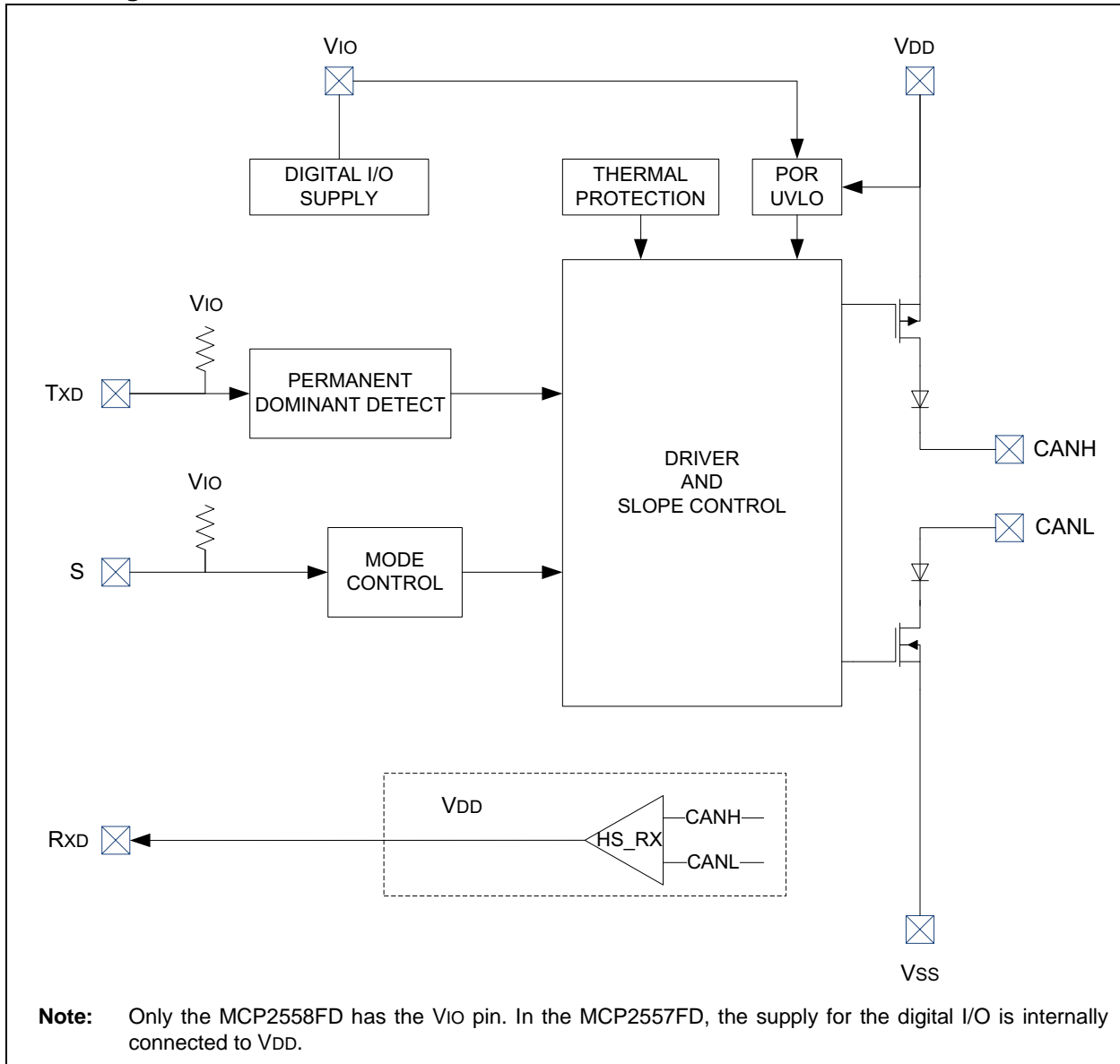
The device meets automotive requirements for CAN FD bit rates exceeding 2 Mbps, low quiescent current, electromagnetic compatibility (EMC) and electrostatic discharge (ESD).

Package Types



MCP2557FD/8FD

Block Diagram



1.0 DEVICE OVERVIEW

The MCP2557FD/8FD CAN transceiver family is designed for high-speed CAN FD applications with up to 8 Mbps communication speed. The product offers a Silent mode controlled by the Silent mode pin. The Silent mode is used to disable the CAN transmitter. This ensures that the device doesn't drive the CAN bus. The MCP2557FD/8FD device provides differential transmit and receive capability for the CAN protocol controller, and is fully compatible with specification ISO/DIS-11898-2:2015.

The loop delay symmetry is tested to support data rates that are up to 8 Mbps for CAN FD (Flexible Data rate). The maximum propagation delay was improved to support longer bus length.

Typically, each node in a CAN system must have a device convert the digital signals generated by a CAN controller to signals suitable for transmission over the bus cabling (differential output). It also provides a buffer between the CAN controller and the high-voltage spikes that can be generated on the CAN bus by outside sources.

1.1 Transmitter Function

The CAN bus has two states: Dominant and Recessive. A Dominant state occurs when the differential voltage between CANH and CANL is greater than $V_{DIFF(D)(I)}$. A Recessive state occurs when the differential voltage is less than $V_{DIFF(R)(I)}$. The Dominant and Recessive states correspond to the Low and High states of the TXD input pin, respectively. However, a Dominant state initiated by another CAN node will override a Recessive state on the CAN bus.

1.2 Receiver Function

The RXD output pin reflects the differential bus voltage between CANH and CANL. The Low and High states of the RXD output pin correspond to the Dominant and Recessive states of the CAN bus, respectively.

1.3 Internal Protection

CANH and CANL are protected against battery short circuits and electrical transients that can occur on the CAN bus. This feature prevents destruction of the transmitter output stage during such a fault condition.

The device is further protected from excessive current loading by thermal shutdown circuitry that disables the output drivers when the junction temperature exceeds a nominal limit of +175°C.

All other parts of the chip remain operational, and the chip temperature is lowered due to the decreased power dissipation in the transmitter outputs. This protection is essential to guard against bus line short-circuit-induced damage. Thermal protection is only active during Normal mode.

1.4 Permanent Dominant Detection

The MCP2557FD/8FD device prevents a permanent dominant condition on TXD.

In Normal mode, if the MCP2557FD/8FD detects an extended Low state on the TXD input, it will disable the CANH and CANL output drivers in order to prevent data corruption on the CAN bus. The drivers will remain disabled until TXD goes High. The high-speed receiver is active, and data on the CAN bus is received on RXD.

The condition has a time-out of 1.9 ms (typical). This implies a maximum bit time of 128 μ s (7.8 kHz), allowing up to 18 consecutive dominant bits on the bus.

1.5 Power-on Reset (POR) and Undervoltage Detection

The MCP2557FD/8FD have POR detection on both supply pins, VDD and VIO. Typical POR thresholds to deassert the reset are 1.2V and 3.0V for VIO and VDD, respectively.

When the device is powered on, CANH and CANL remain in a high-impedance state until VDD exceeds its undervoltage level. Once powered on, CANH and CANL will enter a high-impedance state if the voltage level at VDD drops below the undervoltage level, providing voltage brown-out protection during normal operation.

The receiver output is forced to a Recessive state during an undervoltage condition on VDD.

MCP2557FD/8FD

1.6 Mode Control

Figure 1-1 shows the state diagram of the MCP2557FD/8FD.

1.6.1 UNPOWERED MODE (POR)

The MCP2557FD/8FD enters Unpowered mode if any of the following conditions occur:

- After powering up the device
- If VDD drops below VPORL
- If VIO drops below VPORL_VIO

In Unpowered mode, the CAN bus will be biased to ground using a high impedance. The MCP2557FD/8FD is not able to communicate on the bus.

1.6.2 WAKE MODE

The MCP2557FD/8FD transitions from Unpowered mode to Wake mode when VDD and VIO are above their PORH levels. From Normal mode, if VDD is smaller than VUVL, or if the bandgap output voltage is not within valid range, the device will also enter Wake mode.

In Wake mode, the CAN bus is biased to ground and RXD is always high.

1.6.3 NORMAL MODE

When VDD exceeds VUVH, the band gap is within valid range and TXD is High, the device transitions into Normal mode. During POR, when the microcontroller powers up, the TXD pin could be unintentionally pulled down by the microcontroller powering up. To avoid driving the bus during a POR of the microcontroller, the transceiver proceeds to Normal mode only after TXD is high.

In Normal mode, the driver block is operational and can drive the bus pins. The slopes of the output signals on CANH and CANL are optimized to reduce Electromagnetic Emissions (EME). The CAN bus is biased to VDD/2.

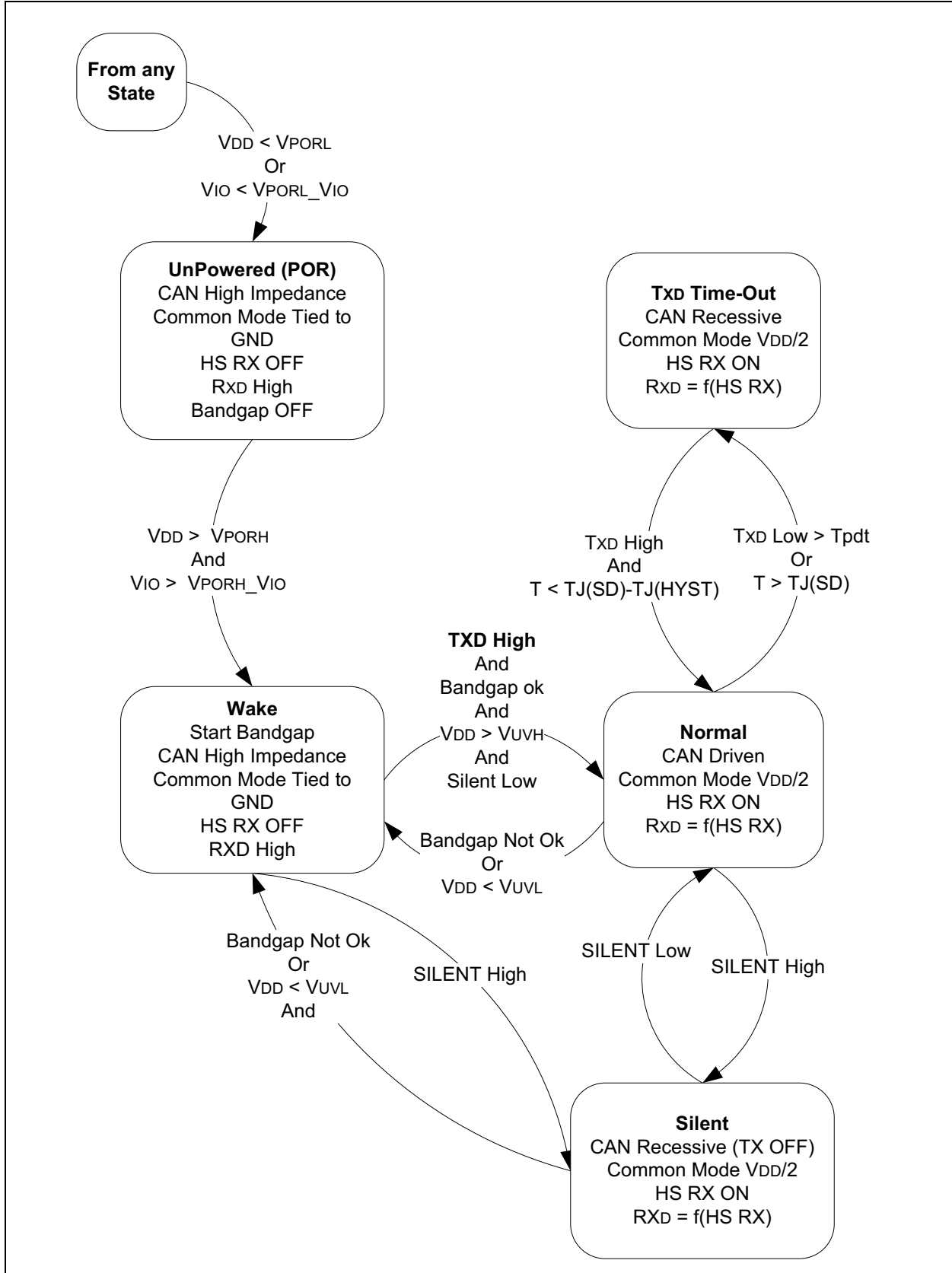
The high-speed differential receiver is active.

1.6.4 SILENT MODE

The device may be placed in Silent mode by applying a high level to the 'S' pin (pin 8). In Silent mode, the transmitter is disabled and the CAN bus is biased to VDD/2. The high-speed differential receiver is active.

The CAN controller must put the MCP2557FD/8FD back into Normal mode to enable the transmitter.

FIGURE 1-1: MCP2557FD/8FD STATE DIAGRAM



MCP2557FD/8FD

1.7 Pin Descriptions

The descriptions of the pins are listed in [Table 1-1](#).

TABLE 1-1: MCP2557FD/8FD PIN DESCRIPTIONS

| MCP2557FD 3 x 3 DFN, 2 x 3 TDFN | MCP2557FD SOIC | MCP2558FD 3 x 3 DFN, 2 x 3 TDFN | MCP2558FD SOIC | Symbol | Pin Function |
|---------------------------------------|-------------------|---------------------------------------|-------------------|--------|--|
| 1 | 1 | 1 | 1 | TXD | Transmit Data Input |
| 2 | 2 | 2 | 2 | VSS | Ground |
| 3 | 3 | 3 | 3 | VDD | Supply Voltage |
| 4 | 4 | 4 | 4 | RXD | Receive Data Output |
| 5 | 5 | — | — | NC | No Connect (MCP2557FD only) |
| — | — | 5 | 5 | VIO | Digital I/O Supply Pin (MCP2558FD only) |
| 6 | 6 | 6 | 6 | CANL | CAN Low-Level Voltage I/O |
| 7 | 7 | 7 | 7 | CANH | CAN High-Level Voltage I/O |
| 8 | 8 | 8 | 8 | S | Silent Mode Input |
| 9 | — | 9 | — | EP | Exposed Thermal Pad |

1.7.1 TRANSMITTER DATA INPUT PIN (TXD)

The CAN transceiver drives the differential output pins CANH and CANL according to TXD. It is usually connected to the transmitter data output of the CAN controller device. When TXD is Low, CANH and CANL are in the Dominant state. When TXD is High, CANH and CANL are in the Recessive state, provided that another CAN node is not driving the CAN bus with a Dominant state. TXD is connected from an internal pull-up resistor (nominal 33 k Ω) to VDD or VIO, in the MCP2557FD or MCP2558FD, respectively.

1.7.2 GROUND SUPPLY PIN (VSS)

Ground supply pin.

1.7.3 SUPPLY VOLTAGE PIN (VDD)

Positive supply voltage pin. Supplies transmitter and receiver.

1.7.4 RECEIVER DATA OUTPUT PIN (RXD)

RXD is a CMOS-compatible output that drives High or Low depending on the differential signals on the CANH and CANL pins, and is usually connected to the receiver data input of the CAN controller device. RXD is High when the CAN bus is Recessive, and Low in the Dominant state. RXD is supplied by VDD or VIO, in the MCP2557FD or MCP2558FD, respectively.

1.7.5 NC PIN (MCP2557FD)

No Connect. This pin can be left open or connected to VSS.

1.7.6 VIO PIN (MCP2557FD)

Supply for digital I/O pins. In the MCP2557FD, the supply for the digital I/O (TXD, RXD and S) is internally connected to VDD.

1.7.7 DIGITAL I/O

The MCP2557FD/8FD enable easy interfacing to MCUs with I/O ranges from 1.8V to 5V.

1.7.7.1 MCP2557FD

The VIH(MIN) and VIL(MAX) for TXD are independent of VDD. They are set at levels that are compatible with 3V and 5V microcontrollers.

The RXD pin is always driven to VDD; therefore, a 3V microcontroller will need a 5V tolerant input.

1.7.7.2 MCP2558FD

VIH and VIL for S and TXD depend on VIO. The RXD pin is driven to VIO.

1.7.8 CAN LOW PIN (CANL)

The CANL output drives the Low side of the CAN differential bus. This pin is also tied internally to the receive input comparator. CANL disconnects from the bus when the MCP2557FD/8FD devices are not powered.

1.7.9 CAN HIGH PIN (CANH)

The CANH output drives the high side of the CAN differential bus. This pin is also tied internally to the receive input comparator. CANH disconnects from the bus when the MCP2557FD/8FD devices are not powered.

1.7.10 SILENT MODE INPUT PIN (S)

This pin sets Normal or Silent mode. In Silent mode, the transmitter is off and the high-speed receiver is active. The CAN bus common mode voltage is $V_{DD}/2$ when in Silent mode.

The 'S' pin (pin 8) is connected to an internal MOS pull-up resistor to V_{DD} or V_{IO} , in the MCP2557FD or MCP2558FD, respectively. The value of the MOS pull-up resistor depends on the supply voltage. Typical values are 660 k Ω for 5V, 1.1 M Ω for 3.3V and 4.4 M Ω for 1.8V

1.7.11 EXPOSED THERMAL PAD (EP)

It is recommended to connect this pad to V_{SS} to enhance electromagnetic immunity and thermal resistance.

MCP2557FD/8FD

1.8 TYPICAL APPLICATION

Figure 1-2 shows a typical application for the MCP2557FD with the NC pin and a split termination.

Figure 1-3 illustrates a typical application for the MCP2558FD.

FIGURE 1-2: MCP2557FD WITH NC AND SPLIT TERMINATION

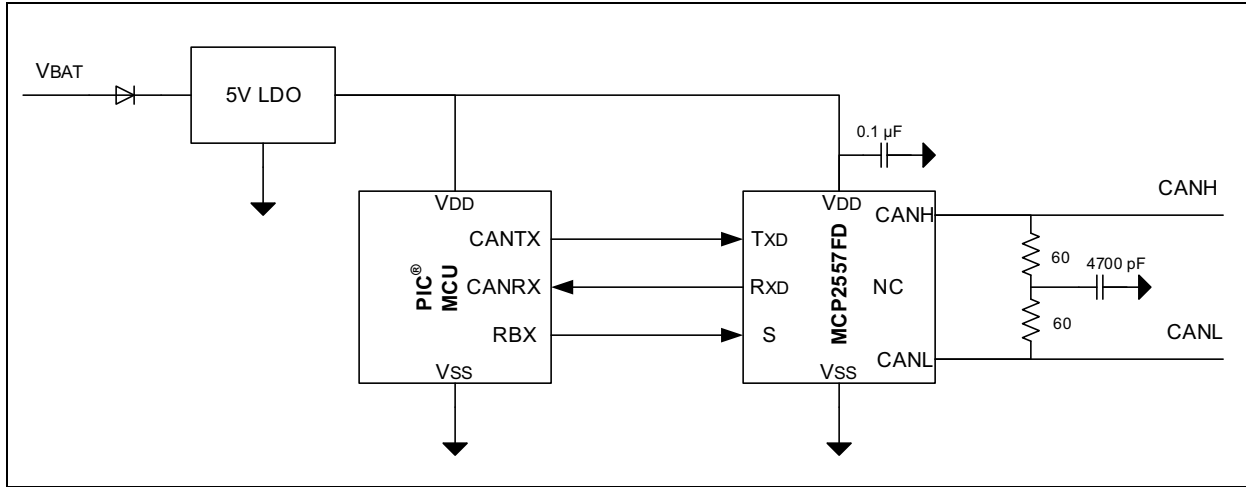
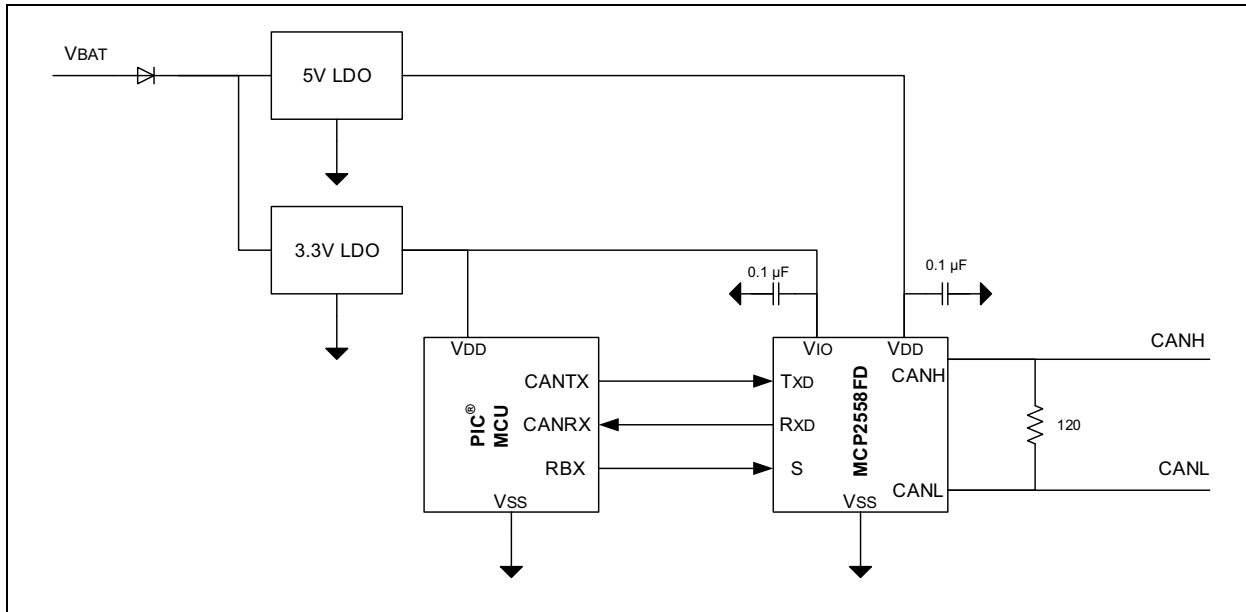


FIGURE 1-3: MCP2558FD WITH V_{IO} PIN



2.0 ELECTRICAL CHARACTERISTICS

2.1 Terms and Definitions

A number of terms are defined in ISO/DIS-11898 that are used to describe the electrical characteristics of a CAN transceiver device. These terms and definitions are summarized in this section.

2.1.1 BUS VOLTAGE

V_{CANL} and V_{CANH} denote the voltages of the bus line wires CANL and CANH relative to the ground of each individual CAN node.

2.1.2 COMMON MODE BUS VOLTAGE RANGE

Boundary voltage levels of V_{CANL} and V_{CANH} with respect to ground, for which proper operation will occur, if the maximum number of CAN nodes are connected to the bus.

2.1.3 DIFFERENTIAL INTERNAL CAPACITANCE, C_{DIFF} (OF A CAN NODE)

Capacitance seen between CANL and CANH during the Recessive state when the CAN node is disconnected from the bus (see [Figure 2-1](#)).

2.1.4 DIFFERENTIAL INTERNAL RESISTANCE, R_{DIFF} (OF A CAN NODE)

Resistance seen between CANL and CANH during the Recessive state when the CAN node is disconnected from the bus (see [Figure 2-1](#)).

2.1.5 DIFFERENTIAL VOLTAGE, V_{DIFF} (OF CAN BUS)

Differential voltage of the two-wire CAN bus, with value equal to $V_{DIFF} = V_{CANH} - V_{CANL}$.

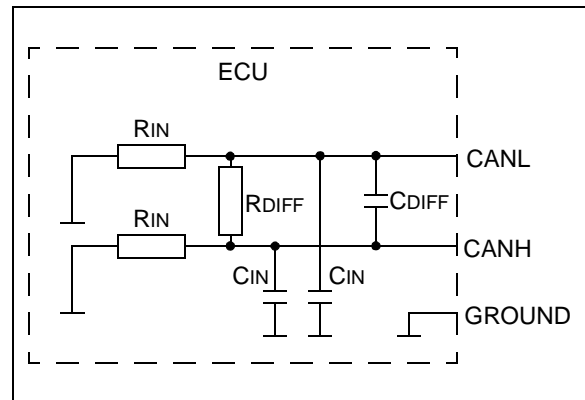
2.1.6 INTERNAL CAPACITANCE, C_{IN} (OF A CAN NODE)

Capacitance seen between CANL (or CANH) and ground during the Recessive state when the CAN node is disconnected from the bus (see [Figure 2-1](#)).

2.1.7 INTERNAL RESISTANCE, R_{IN} (OF A CAN NODE)

Resistance seen between CANL (or CANH) and ground during the Recessive state when the CAN node is disconnected from the bus (see [Figure 2-1](#)).

FIGURE 2-1: PHYSICAL LAYER DEFINITIONS



MCP2557FD/8FD

2.2 Absolute Maximum Ratings†

| | |
|--|---------------------|
| VDD..... | 7.0V |
| VIO..... | 7.0V |
| DC Voltage at TXD, RXD, S and VSS..... | -0.3V to VIO + 0.3V |
| DC Voltage at CANH, and CANL | -58V to +58V |
| Transient Voltage on CANH, and CANL (ISO/DIS-7637) (Figure 2-5) | -150V to +100V |
| Differential Bus Input Voltage VDIFF(I) (t = 60 days, continuous)..... | -5V to +10V |
| Differential Bus Input Voltage VDIFF(I) (1000 pulses, t = 0.1 ms, VCANH = +18V)..... | +17V |
| Dominant State Detection VDIFF(I) (10000 pulses, t = 1 ms)..... | +9V |
| Storage temperature | -55°C to +150°C |
| Operating ambient temperature | -40°C to +150°C |
| Virtual Junction Temperature, TVJ (IEC60747-1) | -40°C to +190°C |
| Soldering temperature of leads (10 seconds) | +300°C |
| ESD protection on CANH and CANL pins (IEC 61000-4-2) | ±13 kV |
| ESD protection on CANH and CANL pins (IEC 801; Human Body Model)..... | ±8 kV |
| ESD protection on all other pins (IEC 801; Human Body Model)..... | ±4 kV |
| ESD protection on all pins (IEC 801; Machine Model) | ±400V |
| ESD protection on all pins (IEC 801; Charge Device Model) | ±750V |

† **Notice:** Stresses above those listed under “Maximum ratings” may cause permanent damage to the device. This is a stress rating only and functional operation of the device at those or any other conditions above those indicated in the operational listings of this specification is not implied. Exposure to maximum rating conditions for extended periods may affect device reliability.

MCP2557FD/8FD

TABLE 2-1: DC CHARACTERISTICS

| DC Specifications | | Electrical Characteristics: Unless otherwise indicated, T _{AMB} = -40°C to +150°C; V _{DD} = 4.5V to 5.5V, V _{IO} = 1.7V to 5.5V (Note 2), R _L = 60Ω, C _L = 100 pF; unless otherwise specified. | | | | |
|---|-----------------------|---|---------------------|------|-------|---|
| Parameter | Sym. | Min. | Typ. | Max. | Units | Conditions |
| Supply | | | | | | |
| VDD Pin | | | | | | |
| Voltage Range | V _{DD} | 4.5 | — | 5.5 | V | |
| Supply Current | I _{DD} | — | 2.5 | 5 | mA | Recessive; V _{TXD} = V _{DD} |
| | | — | 55 | 70 | | Dominant; V _{TXD} = 0V |
| Silent Current | I _{DDs} | — | 1 | 3 | mA | MCP2557FD |
| | | — | 1 | 3 | | MCP2558FD Includes I _{IO} |
| Maximum Supply Current | I _{DDMAX} | — | 95 | 140 | mA | Fault condition: V _{TXD} = V _{SS} ; V _{CANH} = V _{CANL} = -5V to +18V |
| High Level of the POR Comparator for V _{DD} | V _{PORH} | — | 3.0 | 3.95 | V | Note 1 |
| Low Level of the POR Comparator for V _{DD} | V _{PORL} | 1.0 | 2.0 | 3.2 | V | Note 1 |
| Hysteresis of POR Comparator for V _{DD} | V _{PORD} | 0.2 | 0.9 | 2.0 | V | Note 1 |
| High Level of the UV Comparator for V _{DD} | V _{UVH} | 4.0 | 4.25 | 4.4 | V | |
| Low Level of the UV Comparator for V _{DD} | V _{UVL} | 3.6 | 3.8 | 4.0 | V | |
| Hysteresis of UV comparator | V _{UVD} | — | 0.4 | — | V | Note 1 |
| VIO Pin | | | | | | |
| Digital Supply Voltage Range | V _{IO} | 1.7 | — | 5.5 | V | |
| Supply Current on V _{IO} | I _{IO} | — | 7 | 30 | μA | Recessive; V _{TXD} = V _{IO} |
| | | — | 200 | 400 | | Dominant; V _{TXD} = 0V |
| High Level of the POR Comparator for V _{IO} | V _{PORH_VIO} | 0.8 | 1.2 | 1.7 | V | |
| Low Level of the POR Comparator for V _{IO} | V _{PORL_VIO} | 0.7 | 1.1 | 1.4 | V | |
| Hysteresis of POR Comparator for V _{IO} | V _{PORD_VIO} | — | 0.2 | — | V | |
| Bus Line (CANH; CANL) Transmitter | | | | | | |
| CANH; CANL: Recessive Bus Output Voltage | V _{O(R)} | 2.0 | 0.5 V _{DD} | 3.0 | V | V _{TXD} = V _{DD} ; No load |
| Recessive Output Current | I _{O(R)} | -5 | — | +5 | mA | -24V < V _{CAN} < +24V |
| CANH: Dominant Output Voltage | V _{O(D)} | 2.75 | 3.50 | 4.50 | V | T _{XD} = 0; R _L = 50 to 65Ω |
| CANL: Dominant Output Voltage | | 0.50 | 1.50 | 2.25 | | R _L = 50Ω to 65Ω |
| Driver Symmetry (V _{CANH} +V _{CANL})/V _{DD} | V _{SYM} | 0.9 | 1.0 | 1.1 | V | 1 MHz square wave, Recessive and Dominant states, and transition (Note 1) |

Note 1: Characterized; not 100% tested.

Note 2: Only MCP2558FD has a V_{IO} pin. For MCP2557FD, V_{IO} is internally connected to V_{DD}.

Note 3: -12V to 12V is ensured by characterization, and tested from -2V to 7V.

MCP2557FD/8FD

TABLE 2-1: DC CHARACTERISTICS (CONTINUED)

| DC Specifications | | Electrical Characteristics: Unless otherwise indicated, T _{AMB} = -40°C to +150°C; V _{DD} = 4.5V to 5.5V, V _{IO} = 1.7V to 5.5V (Note 2), R _L = 60Ω, C _L = 100 pF; unless otherwise specified. | | | | |
|--|--|---|------|-----------------------|-------|---|
| Parameter | Sym. | Min. | Typ. | Max. | Units | Conditions |
| Dominant: Differential Output Voltage | V _{O(DIFF)(D)} | 1.5 | 2.0 | 3.0 | V | V _{TXD} = V _{SS} ; R _L = 50Ω to 65Ω (Figure 2-2, Figure 2-4) (Note 1) |
| | | 1.4 | 2.0 | 3.0 | | V _{TXD} = V _{SS} ; R _L = 45Ω to 70Ω (Figure 2-2, Figure 2-4, Section 3) (Note 1) |
| | | 1.3 | 2.0 | 3.0 | | V _{TXD} = V _{SS} ; R _L = 40Ω to 75Ω (Figure 2-2, Figure 2-4, Section 3) |
| | | 1.5 | — | 5.0 | | V _{TXD} = V _{SS} ; R _L = 2240Ω (Figure 2-2, Figure 2-4, Section 3) (Note 1) |
| Recessive: Differential Output Voltage | V _{O(DIFF)(R)} | -500 | 0 | 50 | mV | V _{TXD} = V _{DD} , no load (Figure 2-2, Figure 2-4) |
| CANH: Short-Circuit Output Current | I _{O(SC)} | -115 | -85 | — | mA | V _{TXD} = V _{SS} ; V _{CANH} = -3V; CANL: floating |
| CANL: Short Circuit Output Current | | — | 75 | +115 | mA | V _{TXD} = V _{SS} ; V _{CANL} = +18V; CANH: floating |
| Bus Line (CANH; CANL) Receiver | | | | | | |
| Recessive Differential Input Voltage | V _{DIFF(R)(I)} | -4.0 | — | +0.5 | V | -12V < V(CANH, CANL) < +12V; see Figure 2-6 (Note 3) |
| Dominant Differential Input Voltage | V _{DIFF(D)(I)} | 0.9 | — | 9.0 | V | -12V < V(CANH, CANL) < +12V; see Figure 2-6 (Note 3) |
| Differential Receiver Threshold | V _{TH(DIFF)} | 0.5 | 0.7 | 0.9 | V | -12V < V(CANH, CANL) < +12V; see Figure 2-6 (Note 3) |
| Differential Input Hysteresis | V _{HYS(DIFF)} | 30 | — | 200 | mV | See Figure 2-6, (Note 1) |
| Single Ended Input Resistance | R _{CAN_H} , R _{CAN_L} | 6 | — | 50 | kΩ | Note 1 |
| Internal Resistance Matching $mR = 2 * (R_{CANH} - R_{CANL}) / (R_{CANH} + R_{CANL})$ | mR | -3 | 0 | +3 | % | V _{CANH} = V _{CANL} (Note 1) |
| Differential Input Resistance | R _{DIFF} | 12 | 25 | 100 | kΩ | Note 1 |
| Internal Capacitance | C _{IN} | — | 20 | — | pF | 1 Mbps (Note 1) |
| Differential Internal Capacitance | C _{DIFF} | — | 10 | — | pF | 1 Mbps (Note 1) |
| CANH, CANL: Input Leakage | I _{LI} | -5 | — | +5 | μA | V _{DD} = V _{TXD} = V _S = 0V. For MCP2558FD, V _{IO} = 0V. V _{CANH} = V _{CANL} = 5 V. |
| Digital Input Pins (TxD, S) | | | | | | |
| High-Level Input Voltage | V _{IH} | 2.0 | — | V _{DD} + 0.3 | V | MCP2557FD |
| | | 0.7 V _{IO} | — | V _{IO} + 0.3 | | MCP2558FD |

Note 1: Characterized; not 100% tested.

Note 2: Only MCP2558FD has a V_{IO} pin. For MCP2557FD, V_{IO} is internally connected to V_{DD}.

Note 3: -12V to 12V is ensured by characterization, and tested from -2V to 7V.

TABLE 2-1: DC CHARACTERISTICS (CONTINUED)

| DC Specifications | | Electrical Characteristics: Unless otherwise indicated, T _{AMB} = -40°C to +150°C; V _{DD} = 4.5V to 5.5V, V _{IO} = 1.7V to 5.5V (Note 2), R _L = 60Ω, C _L = 100 pF; unless otherwise specified. | | | | |
|----------------------------------|----------------------|---|------|--------------------|-------|--|
| Parameter | Sym. | Min. | Typ. | Max. | Units | Conditions |
| Low-Level Input Voltage | V _{IL} | -0.3 | — | 0.8 | V | MCP2557FD |
| | | -0.3 | — | 0.3V _{IO} | | MCP2558FD |
| High-Level Input Current | I _{IH} | -1 | — | +1 | μA | |
| TXD: Low-Level Input Current | I _{IL(TXD)} | -270 | -150 | -30 | μA | |
| S: Low-Level Input Current | I _{IL(S)} | -30 | — | -1 | μA | |
| Receive Data (RXD) Output | | | | | | |
| High-Level Output Voltage | V _{OH} | V _{DD} - 0.4 | — | — | V | MCP2557FD: I _{OH} = -2 mA; typical -4 mA |
| | | V _{IO} - 0.4 | — | — | | MCP2558FD: V _{IO} = 2.7V to 5.5V, I _{OH} = -1 mA; V _{IO} = 1.7V to 2.7V, I _{OH} = -0.5 mA, typical -2 mA |
| Low-Level Output Voltage | V _{OL} | — | — | 0.4 | V | I _{OL} = 4 mA; typical 8 mA |
| Thermal Shutdown | | | | | | |
| Shutdown Junction Temperature | T _{J(SD)} | 165 | 175 | 185 | °C | -12V < V(CANH, CANL) < +12V (Note 1) |
| Shutdown Temperature Hysteresis | T _{J(HYST)} | 15 | — | 30 | °C | -12V < V(CANH, CANL) < +12V (Note 1) |

Note 1: Characterized; not 100% tested.

Note 2: Only MCP2558FD has a V_{IO} pin. For MCP2557FD, V_{IO} is internally connected to V_{DD}.

Note 3: -12V to 12V is ensured by characterization, and tested from -2V to 7V.

MCP2557FD/8FD

FIGURE 2-2: PHYSICAL BIT REPRESENTATION AND SIMPLIFIED BIAS IMPLEMENTATION

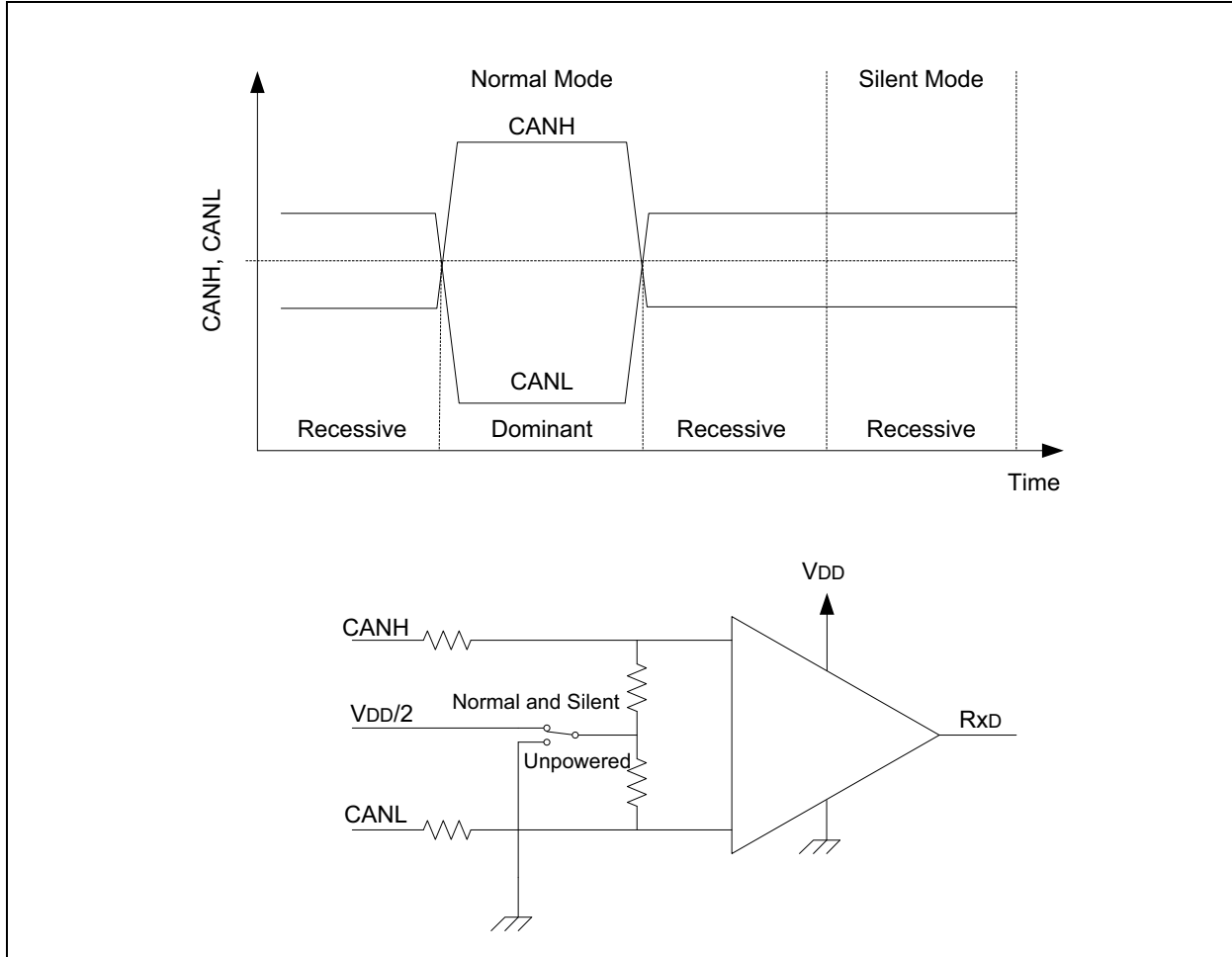


TABLE 2-2: AC CHARACTERISTICS

| AC Characteristics | | Electrical Characteristics: Unless otherwise indicated, $T_{AMB} = -40^{\circ}\text{C}$ to $+150^{\circ}\text{C}$; $V_{DD} = 4.5\text{V}$ to 5.5V , $V_{IO} = 1.7\text{V}$ to 5.5V (Note 2), $R_L = 60\Omega$, $C_L = 100\text{pF}$. Maximum $V_{DIFF(D)}(I) = 3\text{V}$. | | | | | |
|--------------------|---------------------------------|--|-------|------|-------|-------|------------|
| Param. No. | Parameter | Sym. | Min. | Typ. | Max. | Units | Conditions |
| 1 | Bit Time | t _{BIT} | 0.125 | — | 69.44 | μs | |
| 2 | Nominal Bit Rate | NBR | 14.4 | — | 8000 | kbps | |
| 3 | Delay TXD Low to Bus Dominant | t _{TXD-BUSON} | — | 50 | 85 | ns | Note 1 |
| 4 | Delay TXD High to Bus Recessive | t _{TXD-BUSOFF} | — | 40 | 85 | ns | Note 1 |
| 5 | Delay Bus Dominant to RXD | t _{BUSON-RXD} | — | 70 | 85 | ns | Note 1 |
| 6 | Delay Bus Recessive to RXD | t _{BUSOFF-RXD} | — | 110 | 145 | ns | Note 1 |

Note 1: Characterized, not 100% tested.

2: Not in ISO/DIS-11898-2:2015, but needs to be characterized.

TABLE 2-2: AC CHARACTERISTICS (CONTINUED)

| AC Characteristics | | Electrical Characteristics: Unless otherwise indicated, T _{AMB} = -40°C to +150°C; V _{DD} = 4.5V to 5.5V, V _{IO} = 1.7V to 5.5V (Note 2), R _L = 60Ω, C _L = 100 pF. Maximum V _{DIFF(D)} (I) = 3V. | | | | | |
|--------------------|--|--|------|------|------|-------|---|
| Param. No. | Parameter | Sym. | Min. | Typ. | Max. | Units | Conditions |
| 7 | Propagation Delay TXD to RXD Worst Case of t _{LOOP(R)} and t _{LOOP(F)} Figure 2-9 | t _{TXD - RXD} | — | 90 | 120 | ns | R _L = 150Ω, C _L = 200 pF (Note 1) |
| | | | — | 115 | 150 | | |
| 7a | Propagation Delay, Rising Edge | t _{LOOP(R)} | — | 90 | 120 | ns | |
| 7b | Propagation Delay, Falling Edge | t _{LOOP(F)} | — | 80 | 120 | ns | |
| 8a | Recessive Bit Time on RXD – 1 Mbps, Loop Delay Symmetry (Note 2) | t _{BIT(RXD), 1M} | 900 | 985 | 1100 | ns | t _{BIT(TXD)} = 1000 ns (Figure 2-9) |
| | | | 800 | 960 | 1255 | | t _{BIT(TXD)} = 1000 ns (Figure 2-9), R _L = 150Ω, C _L = 200 pF (Note 1) |
| 8b | Recessive Bit Time on RXD – 2 Mbps, Loop Delay Symmetry | t _{BIT(RXD), 2M} | 450 | 490 | 550 | ns | t _{BIT(TXD)} = 500 ns (Figure 2-9) |
| | | | 400 | 460 | 550 | | t _{BIT(TXD)} = 500 ns (Figure 2-9), R _L = 150Ω, C _L = 200 pF (Note 1) |
| 8c | Recessive Bit Time on RXD – 5 Mbps, Loop Delay Symmetry | t _{BIT(RXD), 5M} | 160 | 190 | 220 | ns | t _{BIT(TXD)} = 200 ns (Figure 2-9) |
| 8d | Recessive Bit Time on RXD – 8 Mbps, Loop Delay Symmetry (Note 2) | t _{BIT(RXD), 8M} | 85 | 100 | 135 | ns | t _{BIT(TXD)} = 120 ns (Figure 2-9) (Note 1) |
| 10 | Delay Silent to Normal Mode | t _{WAKE} | — | 7 | 30 | μs | Negative edge on S |
| 11 | Permanent Dominant Detect Time | t _{PDT} | 0.8 | 1.9 | 5 | ms | T _{XD} = 0V |
| 12 | Permanent Dominant Timer Reset | t _{PDTR} | — | 5 | — | ns | The shortest recessive pulse on TXD or CAN bus to reset Permanent Dominant Timer |
| 13a | Transmitted Bit Time on Bus – 1 Mbps (Note 2) | t _{BIT(BUS), 1M} | 870 | 1000 | 1060 | ns | t _{BIT(TXD)} = 1000 ns (Figure 2-9) |
| | | | 870 | 1000 | 1060 | | t _{BIT(TXD)} = 1000 ns (Figure 2-9), R _L = 150Ω, C _L = 200 pF (Note 1) |
| 13b | Transmitted Bit Time on Bus – 2 Mbp | t _{BIT(BUS), 2M} | 435 | 515 | 530 | ns | t _{BIT(TXD)} = 500 ns (Figure 2-9) |
| | | | 435 | 480 | 550 | | t _{BIT(TXD)} = 500 ns (Figure 2-9) R _L = 150Ω, C _L = 200 pF (Note 1) |

Note 1: Characterized, not 100% tested.

2: Not in ISO/DIS-11898-2:2015, but needs to be characterized.

MCP2557FD/8FD

TABLE 2-2: AC CHARACTERISTICS (CONTINUED)

| AC Characteristics | | Electrical Characteristics: Unless otherwise indicated, T _{AMB} = -40°C to +150°C; V _{DD} = 4.5V to 5.5V, V _{IO} = 1.7V to 5.5V (Note 2), R _L = 60Ω, C _L = 100 pF. Maximum V _{DIFF(D)} (I) = 3V. | | | | | |
|--------------------|--|--|------|------|------|-------|--|
| Param. No. | Parameter | Sym. | Min. | Typ. | Max. | Units | Conditions |
| 13c | Transmitted Bit Time on Bus – 5 Mbps | t _{BIT} (BUS), 5M | 155 | 200 | 210 | ns | t _{BIT} (TXD) = 200 ns (Figure 2-9) (Note 1) |
| 13d | Transmitted Bit Time on Bus - 8Mbps (Note 2) | t _{BIT} (BUS), 8M | 100 | 125 | 140 | ns | t _{BIT} (TXD) = 120 ns (Figure 2-9) (Note 1) |
| 14a | Receiver Timing Symmetry – 1 Mbps (Note 2) | t _{DIFF} (REC), 1M = t _{BIT} (RXD) - t _{BIT} (BUS) | -65 | 0 | 40 | ns | t _{BIT} (TXD) = 1000 ns (Figure 2-9) |
| | | | -130 | 0 | 80 | | t _{BIT} (TXD) = 1000 ns (Figure 2-9), R _L = 150Ω, C _L = 200 pF (Note 1) |
| 14b | Receiver Timing Symmetry – 2 Mbps | t _{DIFF} (REC), 2M | -65 | 0 | 40 | ns | t _{BIT} (TXD) = 500 ns (Figure 2-9) |
| | | | -70 | 0 | 40 | | t _{BIT} (TXD) = 500 ns (Figure 2-9), R _L = 150Ω, C _L = 200 pF (Note 1) |
| 14c | Receiver Timing Symmetry – 5 Mbps | t _{DIFF} (REC), 5M | -45 | 0 | 15 | ns | t _{BIT} (TXD) = 200 ns (Figure 2-9) (Note 1) |
| 14d | Receiver Timing Symmetry – 8 Mbps (Note 2) | t _{DIFF} (REC), 8M | -45 | 0 | 10 | ns | t _{BIT} (TXD) = 120 ns (Figure 2-9) (Note 1) |

Note 1: Characterized, not 100% tested.

Note 2: Not in ISO/DIS-11898-2:2015, but needs to be characterized.

FIGURE 2-3: TEST LOAD CONDITIONS

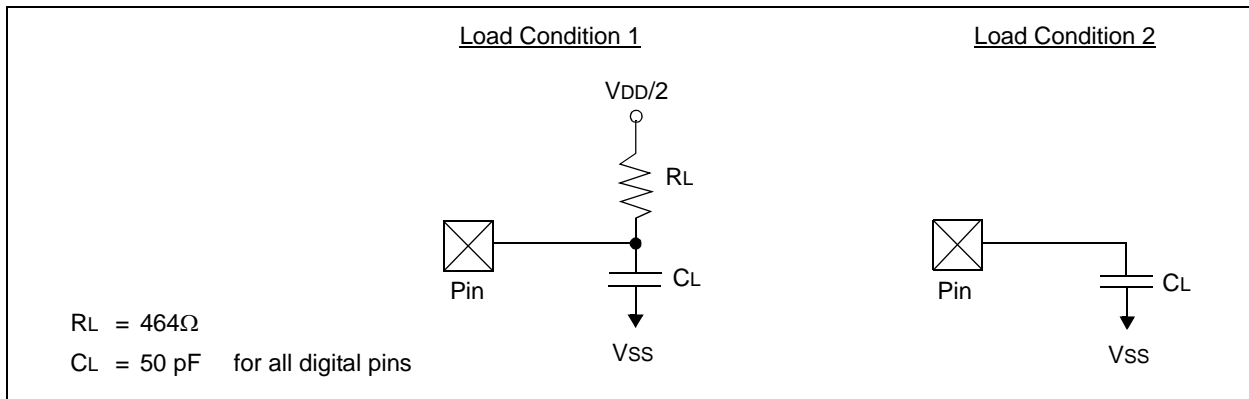


FIGURE 2-4: TEST CIRCUIT FOR ELECTRICAL CHARACTERISTICS

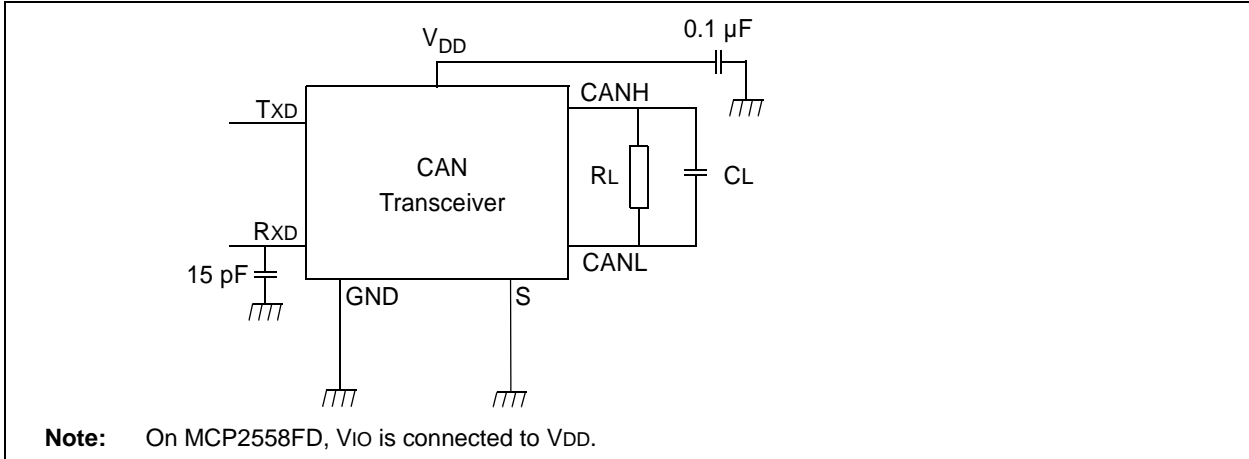


FIGURE 2-5: TEST CIRCUIT FOR AUTOMOTIVE TRANSIENTS

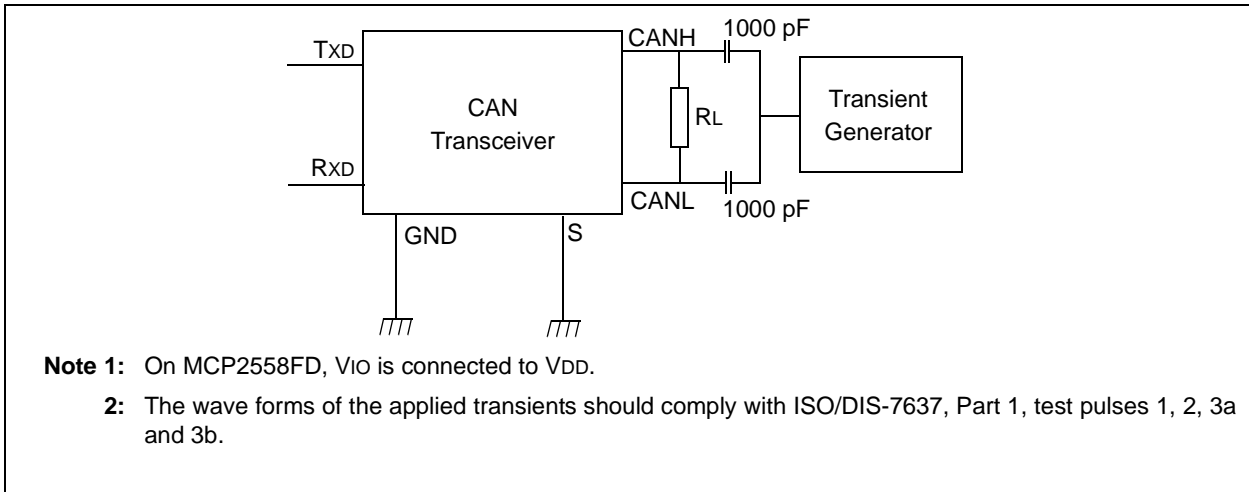
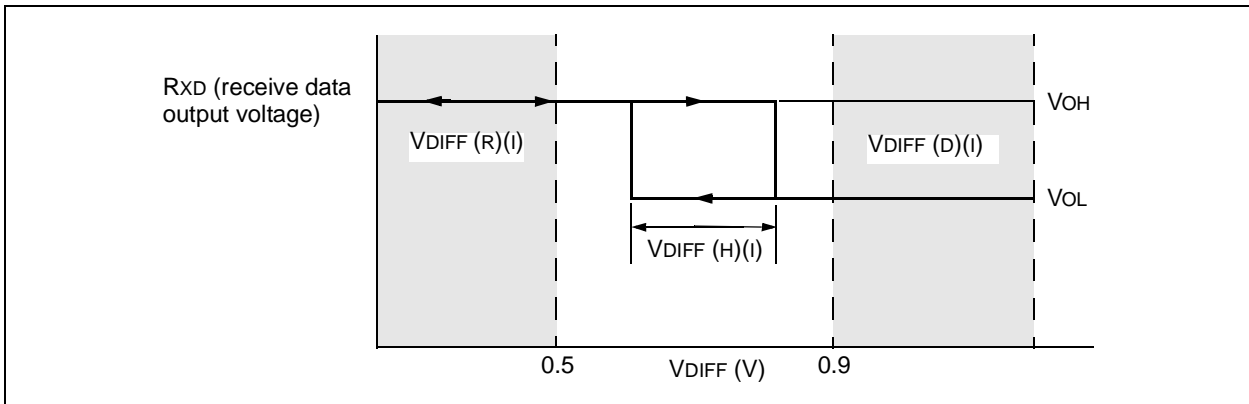


FIGURE 2-6: HYSTERESIS OF THE RECEIVER



MCP2557FD/8FD

2.3 Timing Diagrams and Specifications

FIGURE 2-7: TIMING DIAGRAM FOR AC CHARACTERISTICS

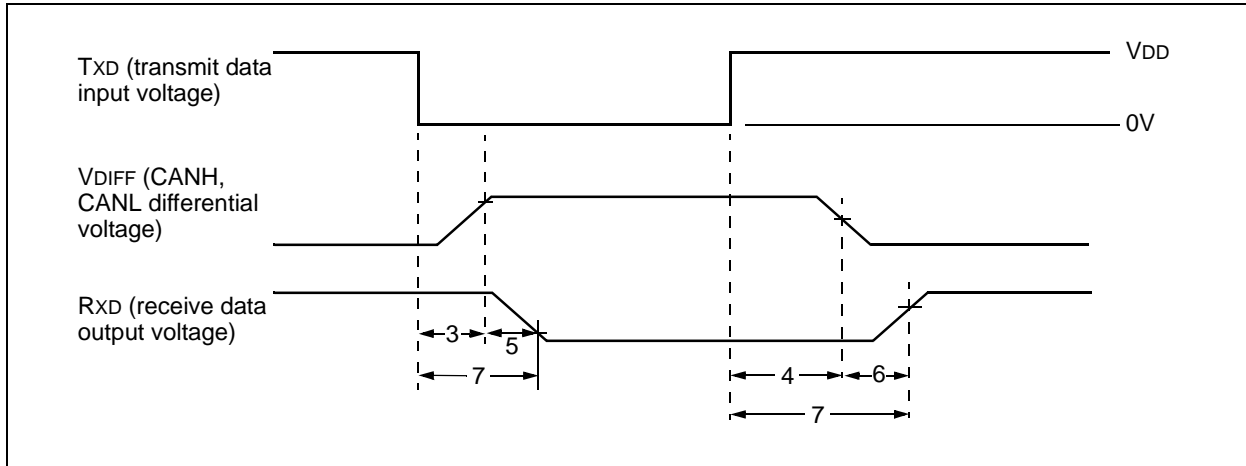


FIGURE 2-8: PERMANENT DOMINANT TIMER RESET DETECT

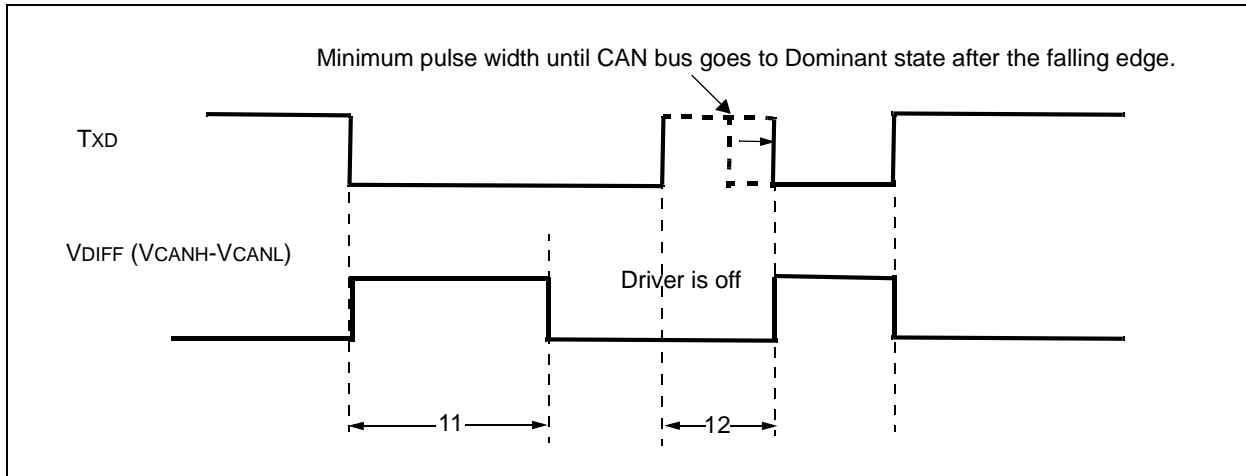
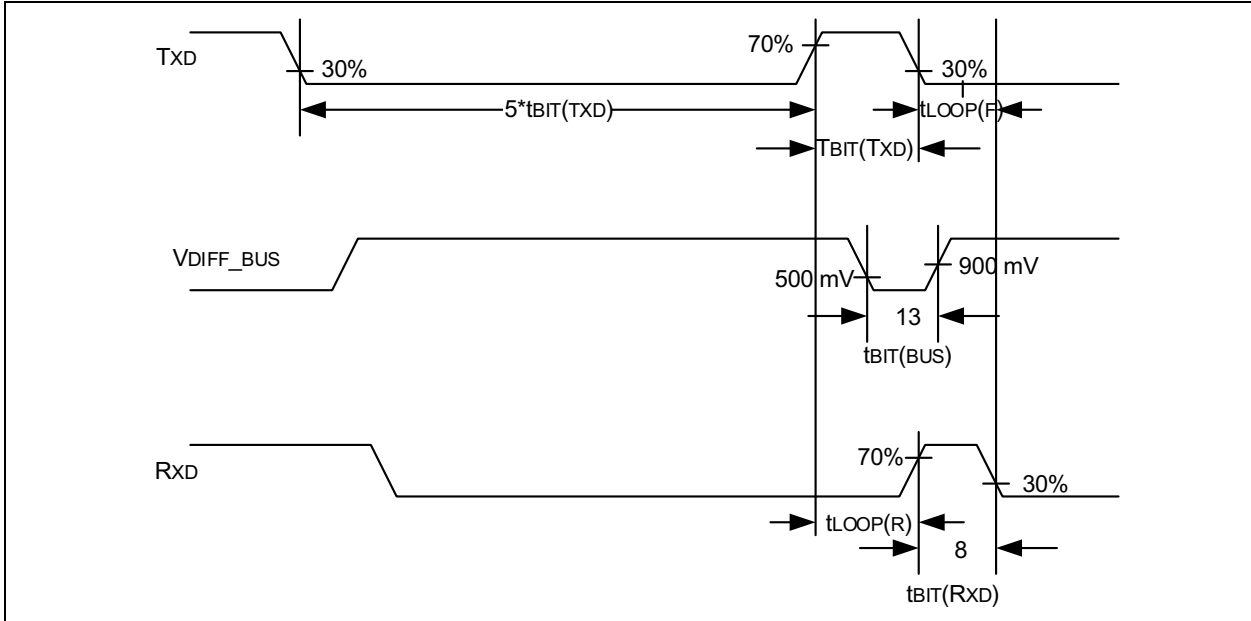


FIGURE 2-9: TIMING DIAGRAM FOR LOOP DELAY SYMMETRY



2.4 Thermal Specifications

| Parameter | Sym. | Min. | Typ. | Max. | Units |
|------------------------------------|-----------------|------|-------|------|-------|
| Temperature Ranges | | | | | |
| Specified Temperature Range | T _A | -40 | — | +150 | °C |
| Operating Temperature Range | T _A | -40 | — | +150 | °C |
| Storage Temperature Range | T _A | -65 | — | +155 | °C |
| Package Thermal Resistances | | | | | |
| Thermal Resistance, 8LD DFN (3x3) | θ _{JA} | — | 56.7 | — | °C/W |
| Thermal Resistance, 8LD SOIC | θ _{JA} | — | 149.5 | — | °C/W |
| Thermal Resistance, 8LD TDFN (2x3) | θ _{JA} | — | 53 | — | °C/W |

MCP2557FD/8FD

3.0 TYPICAL PERFORMANCE CURVES

Note: The graphs and tables provided following this note are a statistical summary based on a limited number of samples and are provided for informational purposes only. The performance characteristics listed herein are not tested or guaranteed. In some graphs or tables, the data presented may be outside the specified operating range (e.g., outside specified power supply range) and therefore outside the warranted range.

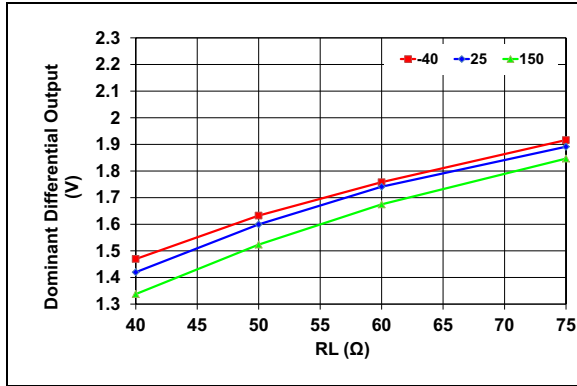


FIGURE 3-1: Dominant Differential Output vs. RL ($V_{DD} = 4.5V$).

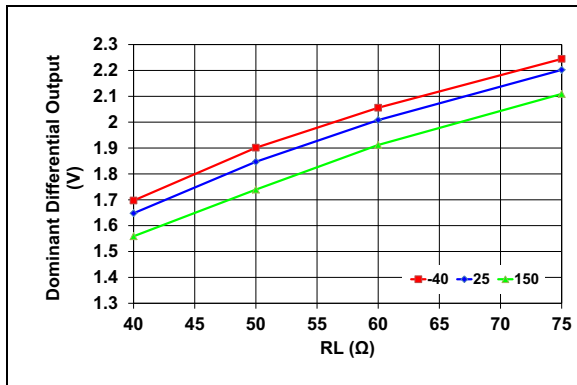


FIGURE 3-2: Dominant Differential Output vs. RL ($V_{DD} = 5.0V$).

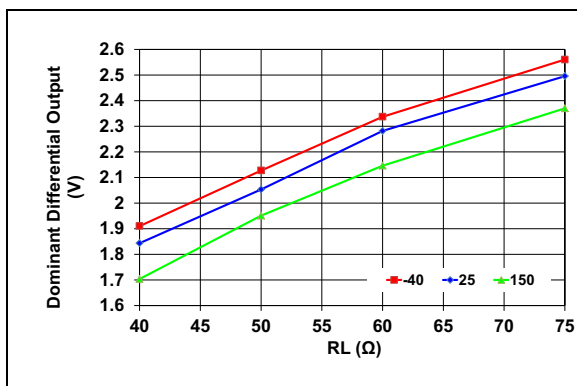
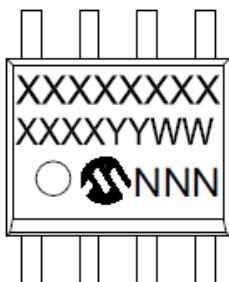


FIGURE 3-3: Dominant Differential Output vs. RL ($V_{DD} = 5.5V$).

4.0 PACKAGING INFORMATION

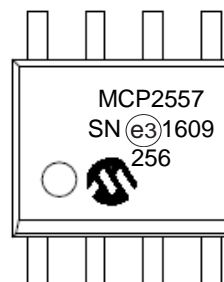
4.1 Package Marking Information

8-Lead SOIC (150 mil)



| Part Number | Code |
|-----------------|---------|
| MCP2557FDT-H/SN | MCP2557 |
| MCP2557FD-H/SN | MCP2557 |
| MCP2558FDT-H/SN | MCP2558 |
| MCP2558FD-H/SN | MCP2558 |

Example:

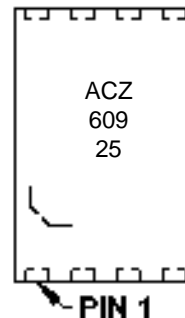


8-Lead TDFN (02x03x0.8 mm)



| Part Number | Code |
|------------------|------|
| MCP2557FDT-H/MNY | ACZ |
| MCP2558FDT-H/MNY | ADA |

Example:

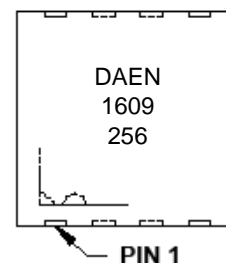


8-Lead DFN (03x03x0.9 mm)



| Part Number | Code |
|-----------------|------|
| MCP2557FDT-H/MF | DAEO |
| MCP2557FD-H/MF | DAEO |
| MCP2558FDT-H/MF | DAEQ |
| MCP2558FD-H/MF | DAEQ |

Example:



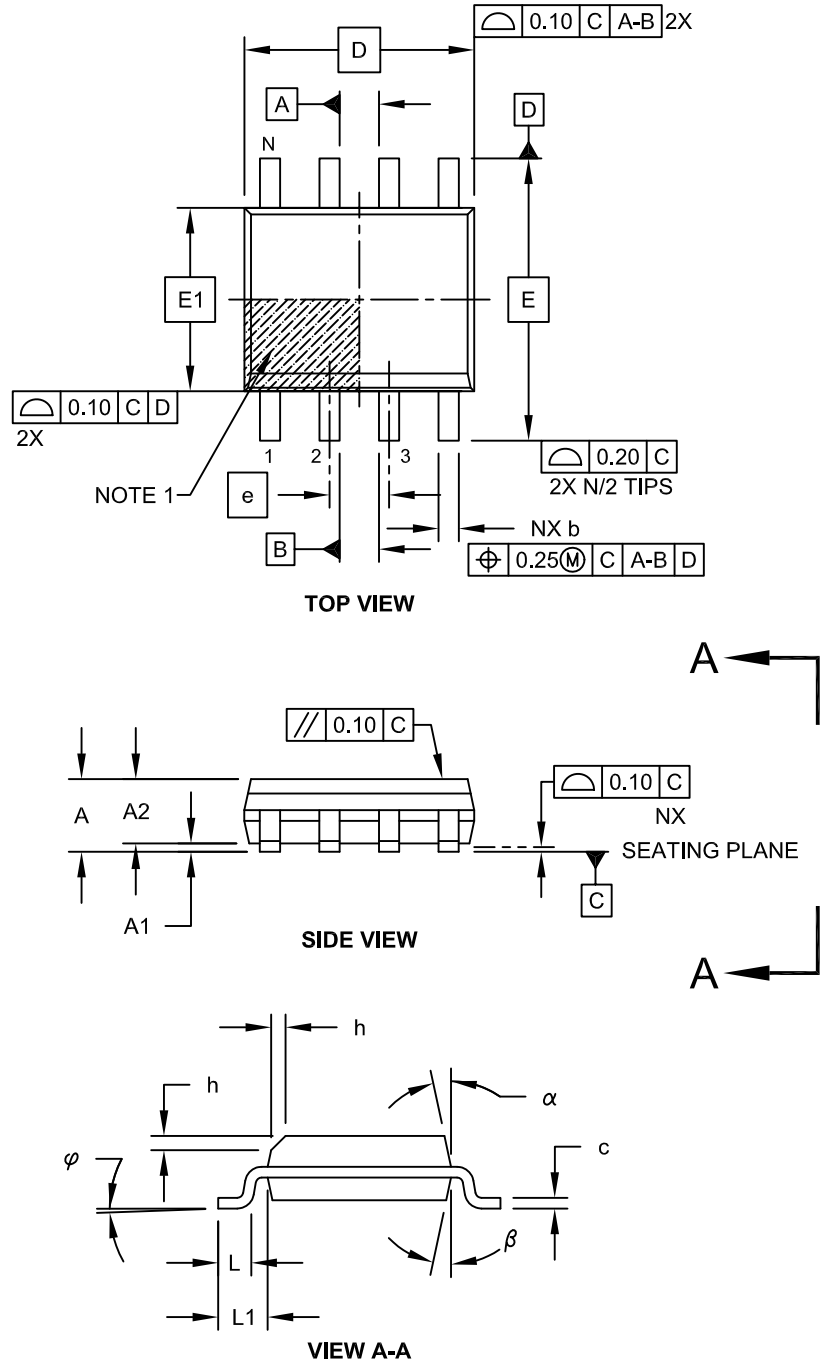
| | | |
|----------------|--------|--|
| Legend: | XX...X | Customer-specific information |
| | Y | Year code (last digit of calendar year) |
| | YY | Year code (last 2 digits of calendar year) |
| | WW | Week code (week of January 1 is week '01') |
| | NNN | Alphanumeric traceability code |
| | (e3) | Pb-free JEDEC® designator for Matte Tin (Sn) This package is Pb-free. The Pb-free JEDEC® designator ((e3) can be found on the outer packaging for this package. |

Note: In the event the full Microchip part number cannot be marked on one line, it will be carried over to the next line, thus limiting the number of available characters for customer-specific information.

MCP2557FD/8FD

8-Lead Plastic Small Outline (SN) - Narrow, 3.90 mm Body [SOIC]

Note: For the most current package drawings, please see the Microchip Packaging Specification located at <http://www.microchip.com/packaging>

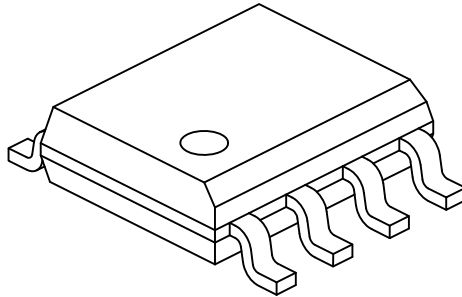


Microchip Technology Drawing No. C04-057C Sheet 1 of 2

MCP2557FD/8FD

8-Lead Plastic Small Outline (SN) - Narrow, 3.90 mm Body [SOIC]

Note: For the most current package drawings, please see the Microchip Packaging Specification located at <http://www.microchip.com/packaging>



| Dimension Limits | Units | MILLIMETERS | | |
|--------------------------|-------|-------------|-----|------|
| | | MIN | NOM | MAX |
| Number of Pins | N | 8 | | |
| Pitch | e | 1.27 BSC | | |
| Overall Height | A | - | - | 1.75 |
| Molded Package Thickness | A2 | 1.25 | - | - |
| Standoff § | A1 | 0.10 | - | 0.25 |
| Overall Width | E | 6.00 BSC | | |
| Molded Package Width | E1 | 3.90 BSC | | |
| Overall Length | D | 4.90 BSC | | |
| Chamfer (Optional) | h | 0.25 | - | 0.50 |
| Foot Length | L | 0.40 | - | 1.27 |
| Footprint | L1 | 1.04 REF | | |
| Foot Angle | φ | 0° | - | 8° |
| Lead Thickness | c | 0.17 | - | 0.25 |
| Lead Width | b | 0.31 | - | 0.51 |
| Mold Draft Angle Top | α | 5° | - | 15° |
| Mold Draft Angle Bottom | β | 5° | - | 15° |

Notes:

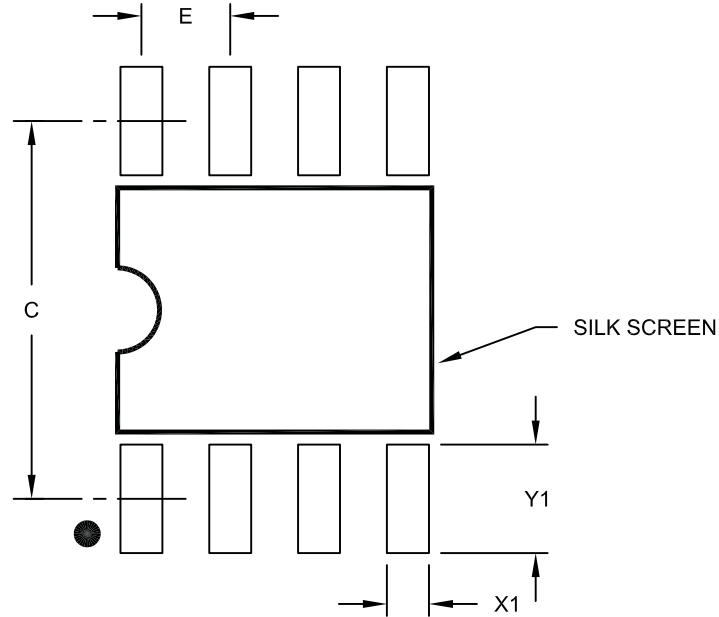
1. Pin 1 visual index feature may vary, but must be located within the hatched area.
2. § Significant Characteristic
3. Dimensions D and E1 do not include mold flash or protrusions. Mold flash or protrusions shall not exceed 0.15mm per side.
4. Dimensioning and tolerancing per ASME Y14.5M
 - BSC: Basic Dimension. Theoretically exact value shown without tolerances.
 - REF: Reference Dimension, usually without tolerance, for information purposes only.

Microchip Technology Drawing No. C04-057C Sheet 2 of 2

MCP2557FD/8FD

8-Lead Plastic Small Outline (SN) – Narrow, 3.90 mm Body [SOIC]

Note: For the most current package drawings, please see the Microchip Packaging Specification located at <http://www.microchip.com/packaging>



RECOMMENDED LAND PATTERN

| | | Units | MILLIMETERS | | |
|-------------------------|----|------------------|-------------|------|------|
| | | Dimension Limits | MIN | NOM | MAX |
| Contact Pitch | E | | 1.27 BSC | | |
| Contact Pad Spacing | C | | | 5.40 | |
| Contact Pad Width (X8) | X1 | | | | 0.60 |
| Contact Pad Length (X8) | Y1 | | | | 1.55 |

Notes:

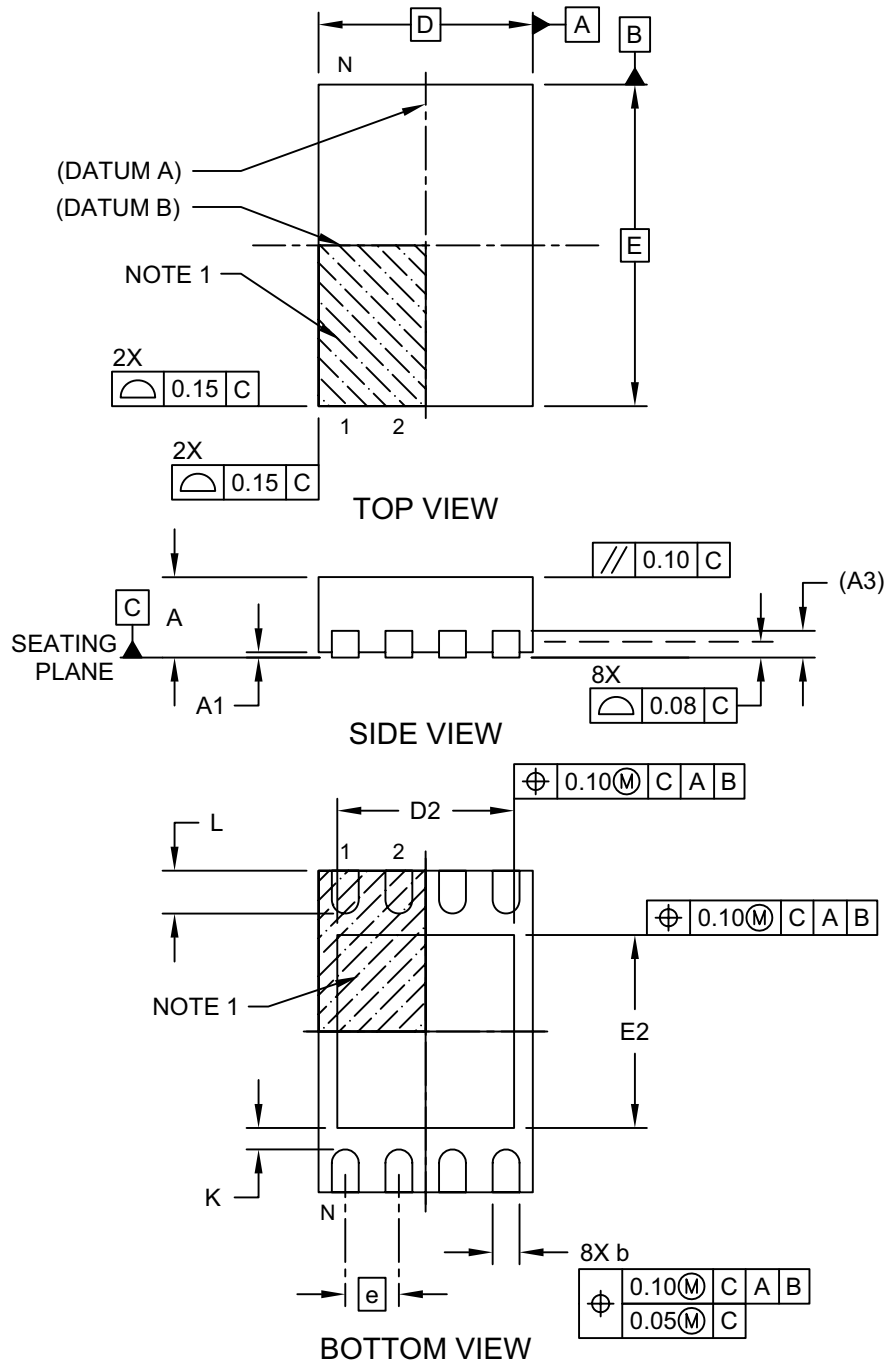
1. Dimensioning and tolerancing per ASME Y14.5M

BSC: Basic Dimension. Theoretically exact value shown without tolerances.

Microchip Technology Drawing No. C04-2057A

8-Lead Plastic Dual Flat, No Lead Package (MN) – 2x3x0.75mm Body [TDFN]

Note: For the most current package drawings, please see the Microchip Packaging Specification located at <http://www.microchip.com/packaging>

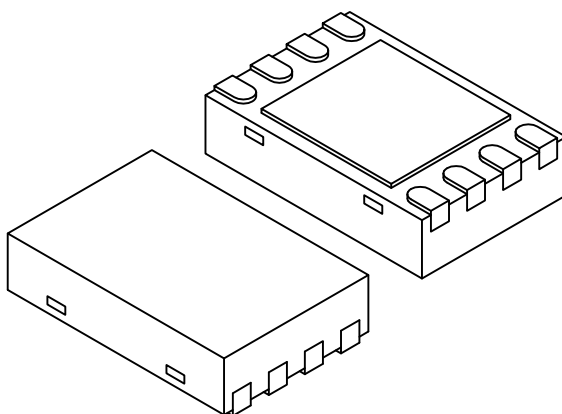


Microchip Technology Drawing No. C04-129-MN Rev D Sheet 2 of 2

MCP2557FD/8FD

8-Lead Plastic Dual Flat, No Lead Package (MN) – 2x3x0.75mm Body [TDFN]

Note: For the most current package drawings, please see the Microchip Packaging Specification located at <http://www.microchip.com/packaging>



| Dimension Limits | Units | MILLIMETERS | | |
|------------------------|-------|-------------|------|------|
| | | MIN | NOM | MAX |
| Number of Pins | N | 8 | | |
| Pitch | e | 0.50 BSC | | |
| Overall Height | A | 0.70 | 0.75 | 0.80 |
| Standoff | A1 | 0.00 | 0.02 | 0.05 |
| Contact Thickness | A3 | 0.20 REF | | |
| Overall Length | D | 2.00 BSC | | |
| Overall Width | E | 3.00 BSC | | |
| Exposed Pad Length | D2 | 1.45 | - | 1.65 |
| Exposed Pad Width | E2 | 1.60 | - | 1.80 |
| Contact Width | b | 0.20 | 0.25 | 0.30 |
| Contact Length | L | 0.25 | 0.30 | 0.45 |
| Contact-to-Exposed Pad | K | 0.20 | - | - |

Notes:

1. Pin 1 visual index feature may vary, but must be located within the hatched area.
2. Package may have one or more exposed tie bars at ends.
3. Package is saw singulated
4. Dimensioning and tolerancing per ASME Y14.5M

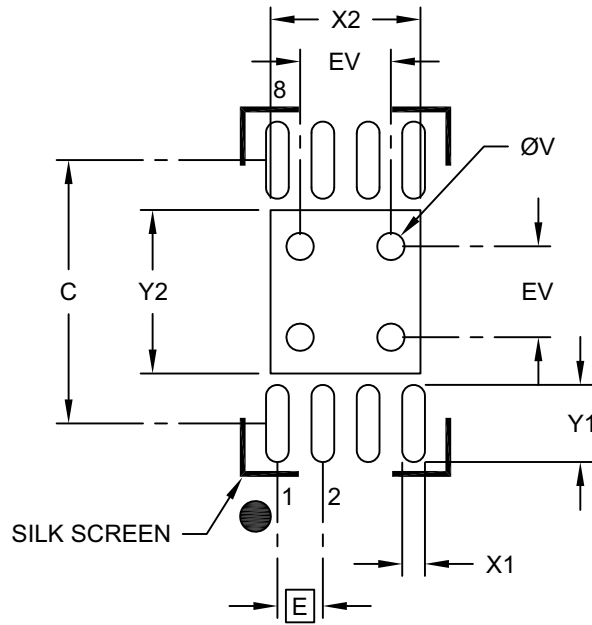
BSC: Basic Dimension. Theoretically exact value shown without tolerances.

REF: Reference Dimension, usually without tolerance, for information purposes only.

Microchip Technology Drawing No. C04-129-MN Rev D Sheet 2 of 2

8-Lead Plastic Dual Flat, No Lead Package (MN) – 2x3x0.75mm Body [TDFN]

Note: For the most current package drawings, please see the Microchip Packaging Specification located at <http://www.microchip.com/packaging>



RECOMMENDED LAND PATTERN

| Dimension Limits | Units | MILLIMETERS | | |
|----------------------------|-------|-------------|------|------|
| | | MIN | NOM | MAX |
| Contact Pitch | E | 0.50 BSC | | |
| Optional Center Pad Width | X2 | | | 1.65 |
| Optional Center Pad Length | Y2 | | | 1.80 |
| Contact Pad Spacing | C | | 2.90 | |
| Contact Pad Width (X8) | X1 | | | 0.25 |
| Contact Pad Length (X8) | Y1 | | | 0.85 |
| Thermal Via Diameter | V | | 0.30 | |
| Thermal Via Pitch | EV | | 1.00 | |

Notes:

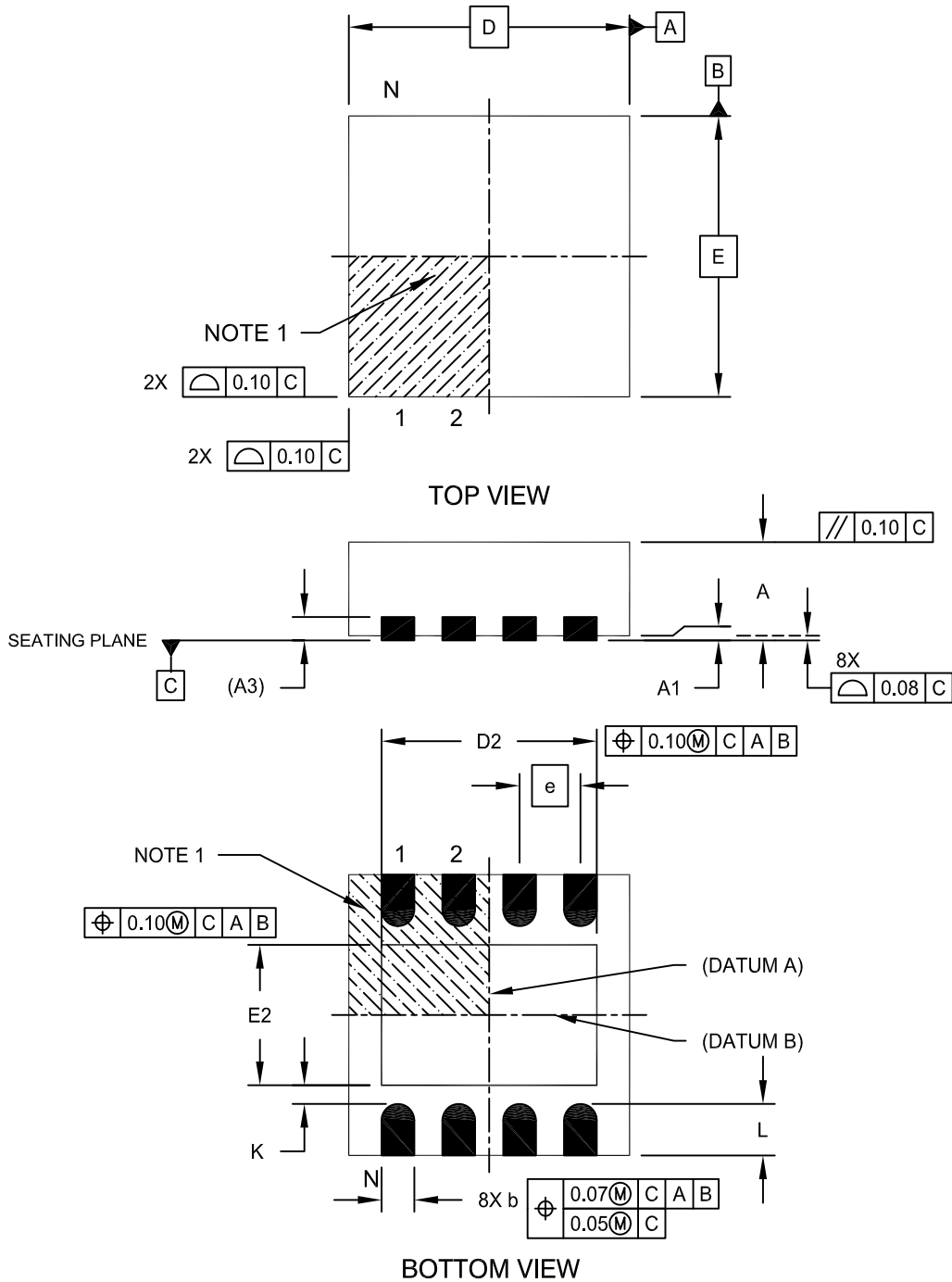
- Dimensioning and tolerancing per ASME Y14.5M
BSC: Basic Dimension. Theoretically exact value shown without tolerances.
- For best soldering results, thermal vias, if used, should be filled or tented to avoid solder loss during reflow process

Microchip Technology Drawing No. C04-129-MN Rev. A

MCP2557FD/8FD

8-Lead Plastic Dual Flat, No Lead Package (MF) - 3x3x0.9mm Body [DFN]

Note: For the most current package drawings, please see the Microchip Packaging Specification located at <http://www.microchip.com/packaging>

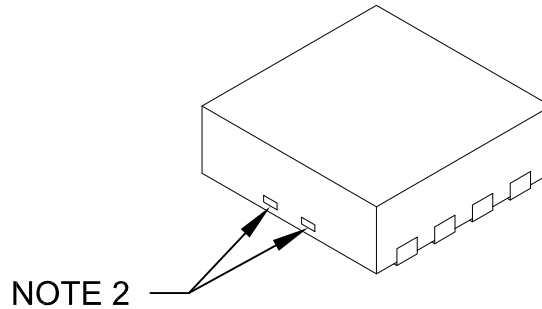


Microchip Technology Drawing No. C04-062C Sheet 1 of 2

MCP2557FD/8FD

8-Lead Plastic Dual Flat, No Lead Package (MF) - 3x3x0.9mm Body [DFN]

Note: For the most current package drawings, please see the Microchip Packaging Specification located at <http://www.microchip.com/packaging>



| Dimension | Units | MILLIMETERS | | |
|------------------------|-------|-------------|------|------|
| | | MIN | NOM | MAX |
| Number of Pins | N | 8 | | |
| Pitch | e | 0.65 BSC | | |
| Overall Height | A | 0.80 | 0.90 | 1.00 |
| Standoff | A1 | 0.00 | 0.02 | 0.05 |
| Contact Thickness | A3 | 0.20 REF | | |
| Overall Length | D | 3.00 BSC | | |
| Exposed Pad Width | E2 | 1.34 | - | 1.60 |
| Overall Width | E | 3.00 BSC | | |
| Exposed Pad Length | D2 | 1.60 | - | 2.40 |
| Contact Width | b | 0.25 | 0.30 | 0.35 |
| Contact Length | L | 0.20 | 0.30 | 0.55 |
| Contact-to-Exposed Pad | K | 0.20 | - | - |

Notes:

1. Pin 1 visual index feature may vary, but must be located within the hatched area.
2. Package may have one or more exposed tie bars at ends.
3. Package is saw singulated
4. Dimensioning and tolerancing per ASME Y14.5M

BSC: Basic Dimension. Theoretically exact value shown without tolerances.

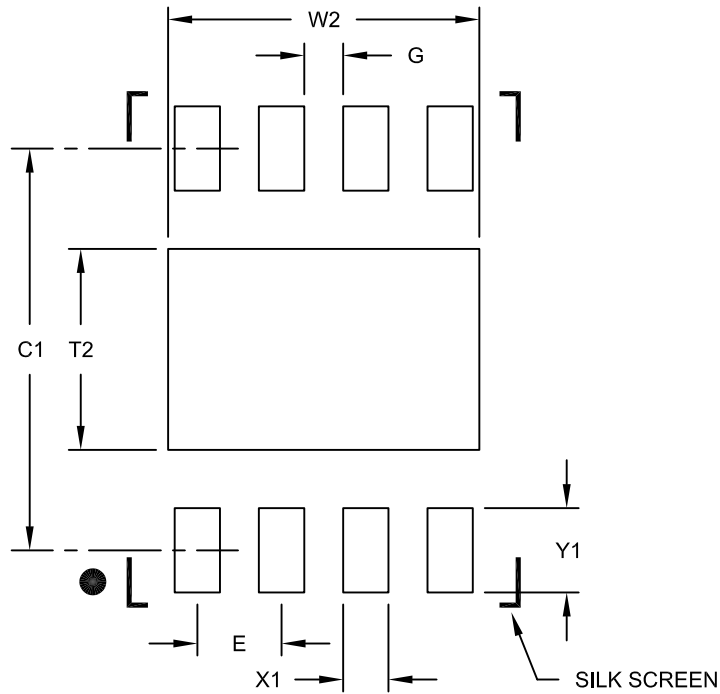
REF: Reference Dimension, usually without tolerance, for information purposes only.

Microchip Technology Drawing No. C04-062C Sheet 2 of 2

MCP2557FD/8FD

8-Lead Plastic Dual Flat, No Lead Package (MF) - 3x3x0.9mm Body [DFN]

Note: For the most current package drawings, please see the Microchip Packaging Specification located at <http://www.microchip.com/packaging>



RECOMMENDED LAND PATTERN

| Dimension Limits | Units | MILLIMETERS | | |
|----------------------------|-------|-------------|------|------|
| | | MIN | NOM | MAX |
| Contact Pitch | E | 0.65 BSC | | |
| Optional Center Pad Width | W2 | | | 2.40 |
| Optional Center Pad Length | T2 | | | 1.55 |
| Contact Pad Spacing | C1 | | 3.10 | |
| Contact Pad Width (X8) | X1 | | | 0.35 |
| Contact Pad Length (X8) | Y1 | | | 0.65 |
| Distance Between Pads | G | 0.30 | | |

Notes:

1. Dimensioning and tolerancing per ASME Y14.5M

BSC: Basic Dimension. Theoretically exact value shown without tolerances.

Microchip Technology Drawing No. C04-2062B

APPENDIX A: REVISION HISTORY

Revision A (March 2016)

Initial release of this document.

MCP2557FD/8FD

NOTES:

PRODUCT IDENTIFICATION SYSTEM

To order or obtain information, e.g., on pricing or delivery, refer to the factory or the listed sales office.

| <u>PART NO.</u> | <u>[X]⁽¹⁾</u> | <u>X</u> | <u>/XX</u> | |
|------------------------------|---|--|------------|--|
| Device | Tape and Reel Option | Temperature Range | Package | |
| Device: | MCP2557FD: | CAN FD Transceiver w/No Connect Pin 5 | | |
| | MCP2558FD: | CAN FD Transceiver w/Vio Connect Pin 5 | | |
| Tape and Reel Option: | Blank = Standard packaging (tube or tray) | | | |
| | T = Tape and Reel ⁽¹⁾ | | | |
| Temperature Range: | H = -40°C to +150°C | | | |
| Package: | MF = Plastic Dual Flat No Lead Package – 3x3x0.9 mm Body (DFN), 8-lead | | | |
| | MNY = Plastic Dual Flat No Lead Package – 2x3x0.75 mm Body (TDFN), 8-lead | | | |
| | SN = Plastic Small Outline (SN) – Narrow, 3.90 mm, Body (SOIC), 8-lead | | | |

Examples:

a) MCP2558FDT-H/MF: Tape and Reel, 8-lead, Plastic Dual Flat No Lead DFN package.

b) MCP2557FD-H/SN: 8-lead, Plastic Small Outline SOIC package.

c) MCP2558FDT-H/MNY: Tape and Reel, 8-lead, Plastic Dual Flat No Lead TDFN package.

Note1: Tape and Reel identifier only appears in the catalog part number description. This identifier is used for ordering purposes and is not printed on the device package. Check with your Microchip Sales Office for package availability with the Tape and Reel option.

MCP2557FD/8FD

NOTES:

Note the following details of the code protection feature on Microchip devices:

- Microchip products meet the specification contained in their particular Microchip Data Sheet.
- Microchip believes that its family of products is one of the most secure families of its kind on the market today, when used in the intended manner and under normal conditions.
- There are dishonest and possibly illegal methods used to breach the code protection feature. All of these methods, to our knowledge, require using the Microchip products in a manner outside the operating specifications contained in Microchip's Data Sheets. Most likely, the person doing so is engaged in theft of intellectual property.
- Microchip is willing to work with the customer who is concerned about the integrity of their code.
- Neither Microchip nor any other semiconductor manufacturer can guarantee the security of their code. Code protection does not mean that we are guaranteeing the product as “unbreakable.”

Code protection is constantly evolving. We at Microchip are committed to continuously improving the code protection features of our products. Attempts to break Microchip's code protection feature may be a violation of the Digital Millennium Copyright Act. If such acts allow unauthorized access to your software or other copyrighted work, you may have a right to sue for relief under that Act.

Information contained in this publication regarding device applications and the like is provided only for your convenience and may be superseded by updates. It is your responsibility to ensure that your application meets with your specifications. MICROCHIP MAKES NO REPRESENTATIONS OR WARRANTIES OF ANY KIND WHETHER EXPRESS OR IMPLIED, WRITTEN OR ORAL, STATUTORY OR OTHERWISE, RELATED TO THE INFORMATION, INCLUDING BUT NOT LIMITED TO ITS CONDITION, QUALITY, PERFORMANCE, MERCHANTABILITY OR FITNESS FOR PURPOSE. Microchip disclaims all liability arising from this information and its use. Use of Microchip devices in life support and/or safety applications is entirely at the buyer's risk, and the buyer agrees to defend, indemnify and hold harmless Microchip from any and all damages, claims, suits, or expenses resulting from such use. No licenses are conveyed, implicitly or otherwise, under any Microchip intellectual property rights unless otherwise stated.

Microchip received ISO/TS-16949:2009 certification for its worldwide headquarters, design and wafer fabrication facilities in Chandler and Tempe, Arizona; Gresham, Oregon and design centers in California and India. The Company's quality system processes and procedures are for its PIC® MCUs and dsPIC® DSCs, KEELoC® code hopping devices, Serial EEPROMs, microperipherals, nonvolatile memory and analog products. In addition, Microchip's quality system for the design and manufacture of development systems is ISO 9001:2000 certified.

QUALITY MANAGEMENT SYSTEM
CERTIFIED BY DNV
== ISO/TS 16949 ==

Trademarks

The Microchip name and logo, the Microchip logo, AnyRate, dsPIC, FlashFlex, flexPWR, Heldo, JukeBlox, KeeLoq, KeeLoq logo, Klear, LANCheck, LINK MD, MediaLB, MOST, MOST logo, MPLAB, OptoLyzer, PIC, PICSTART, PIC32 logo, RightTouch, SpyNIC, SST, SST Logo, SuperFlash and UNI/O are registered trademarks of Microchip Technology Incorporated in the U.S.A. and other countries.

ClockWorks, The Embedded Control Solutions Company, ETHERSYNCH, Hyper Speed Control, HyperLight Load, IntelliMOS, mTouch, Precision Edge, and QUIET-WIRE are registered trademarks of Microchip Technology Incorporated in the U.S.A.

Analog-for-the-Digital Age, Any Capacitor, AnyIn, AnyOut, BodyCom, chipKIT, chipKIT logo, CodeGuard, dsPICDEM, dsPICDEM.net, Dynamic Average Matching, DAM, ECAN, EtherGREEN, In-Circuit Serial Programming, ICSP, Inter-Chip Connectivity, JitterBlocker, KlearNet, KlearNet logo, MiWi, motorBench, MPASM, MPF, MPLAB Certified logo, MPLIB, MPLINK, MultiTRAK, NetDetach, Omniscient Code Generation, PICDEM, PICDEM.net, PICkit, PICtail, PureSilicon, RightTouch logo, REAL ICE, Ripple Blocker, Serial Quad I/O, SQL, SuperSwitcher, SuperSwitcher II, Total Endurance, TSHARC, USBCheck, VariSense, ViewSpan, WiperLock, Wireless DNA, and ZENA are trademarks of Microchip Technology Incorporated in the U.S.A. and other countries.

SQTP is a service mark of Microchip Technology Incorporated in the U.S.A.

Silicon Storage Technology is a registered trademark of Microchip Technology Inc. in other countries.

GestIC is a registered trademarks of Microchip Technology Germany II GmbH & Co. KG, a subsidiary of Microchip Technology Inc., in other countries.

All other trademarks mentioned herein are property of their respective companies.

© 2016, Microchip Technology Incorporated, Printed in the U.S.A., All Rights Reserved.

ISBN: 978-1-5224-0443-9



MICROCHIP

Worldwide Sales and Service

AMERICAS

Corporate Office
2355 West Chandler Blvd.
Chandler, AZ 85224-6199
Tel: 480-792-7200
Fax: 480-792-7277
Technical Support:
<http://www.microchip.com/support>
Web Address:
www.microchip.com

Atlanta
Duluth, GA
Tel: 678-957-9614
Fax: 678-957-1455

Austin, TX
Tel: 512-257-3370

Boston
Westborough, MA
Tel: 774-760-0087
Fax: 774-760-0088

Chicago
Itasca, IL
Tel: 630-285-0071
Fax: 630-285-0075

Cleveland
Independence, OH
Tel: 216-447-0464
Fax: 216-447-0643

Dallas
Addison, TX
Tel: 972-818-7423
Fax: 972-818-2924

Detroit
Novi, MI
Tel: 248-848-4000

Houston, TX
Tel: 281-894-5983

Indianapolis
Noblesville, IN
Tel: 317-773-8323
Fax: 317-773-5453

Los Angeles
Mission Viejo, CA
Tel: 949-462-9523
Fax: 949-462-9608

New York, NY
Tel: 631-435-6000

San Jose, CA
Tel: 408-735-9110

Canada - Toronto
Tel: 905-673-0699
Fax: 905-673-6509

ASIA/PACIFIC

Asia Pacific Office
Suites 3707-14, 37th Floor
Tower 6, The Gateway
Harbour City, Kowloon

Hong Kong
Tel: 852-2943-5100
Fax: 852-2401-3431

Australia - Sydney
Tel: 61-2-9868-6733
Fax: 61-2-9868-6755

China - Beijing
Tel: 86-10-8569-7000
Fax: 86-10-8528-2104

China - Chengdu
Tel: 86-28-8665-5511
Fax: 86-28-8665-7889

China - Chongqing
Tel: 86-23-8980-9588
Fax: 86-23-8980-9500

China - Dongguan
Tel: 86-769-8702-9880

China - Hangzhou
Tel: 86-571-8792-8115
Fax: 86-571-8792-8116

China - Hong Kong SAR
Tel: 852-2943-5100
Fax: 852-2401-3431

China - Nanjing
Tel: 86-25-8473-2460
Fax: 86-25-8473-2470

China - Qingdao
Tel: 86-532-8502-7355
Fax: 86-532-8502-7205

China - Shanghai
Tel: 86-21-5407-5533
Fax: 86-21-5407-5066

China - Shenyang
Tel: 86-24-2334-2829
Fax: 86-24-2334-2393

China - Shenzhen
Tel: 86-755-8864-2200
Fax: 86-755-8203-1760

China - Wuhan
Tel: 86-27-5980-5300
Fax: 86-27-5980-5118

China - Xian
Tel: 86-29-8833-7252
Fax: 86-29-8833-7256

ASIA/PACIFIC

China - Xiamen
Tel: 86-592-2388138
Fax: 86-592-2388130

China - Zhuhai
Tel: 86-756-3210040
Fax: 86-756-3210049

India - Bangalore
Tel: 91-80-3090-4444
Fax: 91-80-3090-4123

India - New Delhi
Tel: 91-11-4160-8631
Fax: 91-11-4160-8632

India - Pune
Tel: 91-20-3019-1500

Japan - Osaka
Tel: 81-6-6152-7160
Fax: 81-6-6152-9310

Japan - Tokyo
Tel: 81-3-6880-3770
Fax: 81-3-6880-3771

Korea - Daegu
Tel: 82-53-744-4301
Fax: 82-53-744-4302

Korea - Seoul
Tel: 82-2-554-7200
Fax: 82-2-558-5932 or
82-2-558-5934

Malaysia - Kuala Lumpur
Tel: 60-3-6201-9857
Fax: 60-3-6201-9859

Malaysia - Penang
Tel: 60-4-227-8870
Fax: 60-4-227-4068

Philippines - Manila
Tel: 63-2-634-9065
Fax: 63-2-634-9069

Singapore
Tel: 65-6334-8870
Fax: 65-6334-8850

Taiwan - Hsin Chu
Tel: 886-3-5778-366
Fax: 886-3-5770-955

Taiwan - Kaohsiung
Tel: 886-7-213-7828

Taiwan - Taipei
Tel: 886-2-2508-8600
Fax: 886-2-2508-0102

Thailand - Bangkok
Tel: 66-2-694-1351
Fax: 66-2-694-1350

EUROPE

Austria - Wels
Tel: 43-7242-2244-39
Fax: 43-7242-2244-393

Denmark - Copenhagen
Tel: 45-4450-2828
Fax: 45-4485-2829

France - Paris
Tel: 33-1-69-53-63-20
Fax: 33-1-69-30-90-79

Germany - Dusseldorf
Tel: 49-2129-3766400

Germany - Karlsruhe
Tel: 49-721-625370

Germany - Munich
Tel: 49-89-627-144-0
Fax: 49-89-627-144-44

Italy - Milan
Tel: 39-0331-742611
Fax: 39-0331-466781

Italy - Venice
Tel: 39-049-7625286

Netherlands - Drunen
Tel: 31-416-690399
Fax: 31-416-690340

Poland - Warsaw
Tel: 48-22-3325737

Spain - Madrid
Tel: 34-91-708-08-90
Fax: 34-91-708-08-91

Sweden - Stockholm
Tel: 46-8-5090-4654

UK - Wokingham
Tel: 44-118-921-5800
Fax: 44-118-921-5820

07/14/15

Mouser Electronics

Authorized Distributor

Click to View Pricing, Inventory, Delivery & Lifecycle Information:

Microchip:

[MCP2557FD-H/SN](#) [MCP2557FDT-H/MNY](#) [MCP2558FDT-H/MF](#) [MCP2558FDT-H/MNY](#) [MCP2557FDT-H/SN](#)
[MCP2558FDT-H/SN](#) [MCP2557FDT-H/MF](#) [MCP2558FD-H/SN](#)



Компания «ЭлектроПласт» предлагает заключение долгосрочных отношений при поставках импортных электронных компонентов на взаимовыгодных условиях!

Наши преимущества:

- Оперативные поставки широкого спектра электронных компонентов отечественного и импортного производства напрямую от производителей и с крупнейших мировых складов;
- Поставка более 17-ти миллионов наименований электронных компонентов;
- Поставка сложных, дефицитных, либо снятых с производства позиций;
- Оперативные сроки поставки под заказ (от 5 рабочих дней);
- Экспресс доставка в любую точку России;
- Техническая поддержка проекта, помощь в подборе аналогов, поставка прототипов;
- Система менеджмента качества сертифицирована по Международному стандарту ISO 9001;
- Лицензия ФСБ на осуществление работ с использованием сведений, составляющих государственную тайну;
- Поставка специализированных компонентов (Xilinx, Altera, Analog Devices, Intersil, Interpoint, Microsemi, Aeroflex, Peregrine, Syfer, Eurofarad, Texas Instrument, Miteq, Cobham, E2V, MA-COM, Hittite, Mini-Circuits, General Dynamics и др.);

Помимо этого, одним из направлений компании «ЭлектроПласт» является направление «Источники питания». Мы предлагаем Вам помощь Конструкторского отдела:

- Подбор оптимального решения, техническое обоснование при выборе компонента;
- Подбор аналогов;
- Консультации по применению компонента;
- Поставка образцов и прототипов;
- Техническая поддержка проекта;
- Защита от снятия компонента с производства.



Как с нами связаться

Телефон: 8 (812) 309 58 32 (многоканальный)

Факс: 8 (812) 320-02-42

Электронная почта: org@eplast1.ru

Адрес: 198099, г. Санкт-Петербург, ул. Калинина, дом 2, корпус 4, литера А.