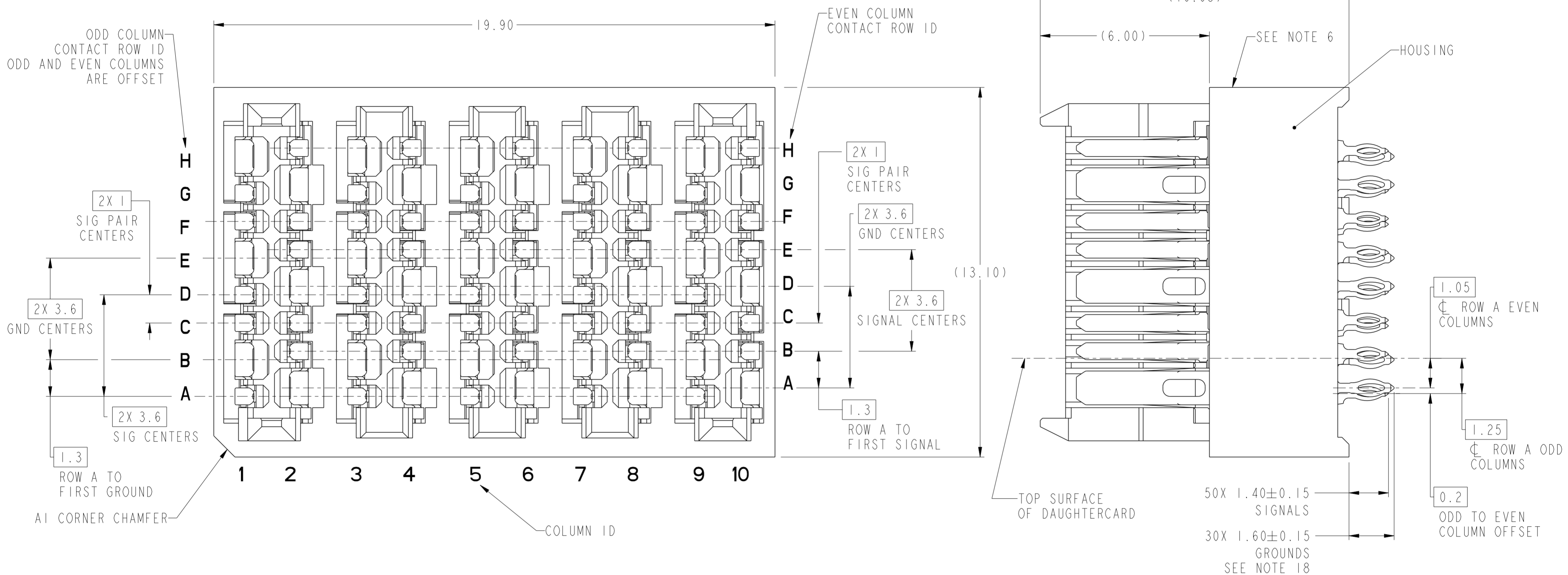


PRODUCT NUMBER
SEE SHEET 16



10124414-Y01LF
(10124414-101LF STANDARD MATE CONNECTOR SHOWN)

spec ref	---	dr	Daniel Xiao	2014/01/21	projection	MM	size	A2	scale	10:1	
tolerance std	ASME Y14.5M	eng	Peng-Bing Fu	2017/11/07			ecn no	ELX-DG-28204-1			
TOLERANCES UNLESS OTHERWISE SPECIFIED		chr	Justin Chen	2017/11/29			rel level	Released			
surface	linear	0.X	±.3	0.XX			±.10	0.XXX	±.050	angular	0°
Amphenol FCI		title	ExaMAX VERTICAL HEADER ASS'Y, 2 PAIR, 80 POS, 10 IMLA			cat. no.	SEE TABLE	Product - Customer	Drw	sheet 1 of 17	

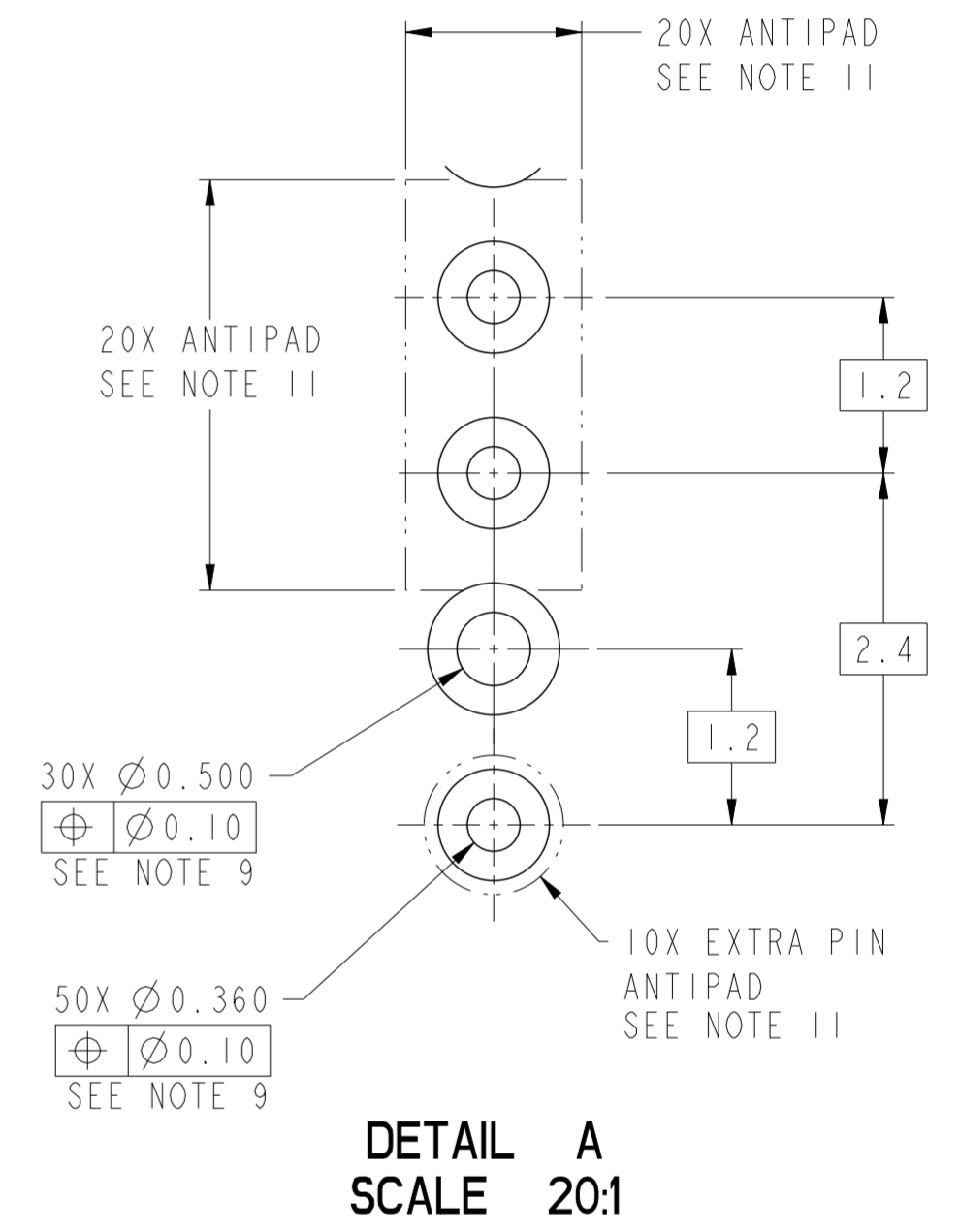
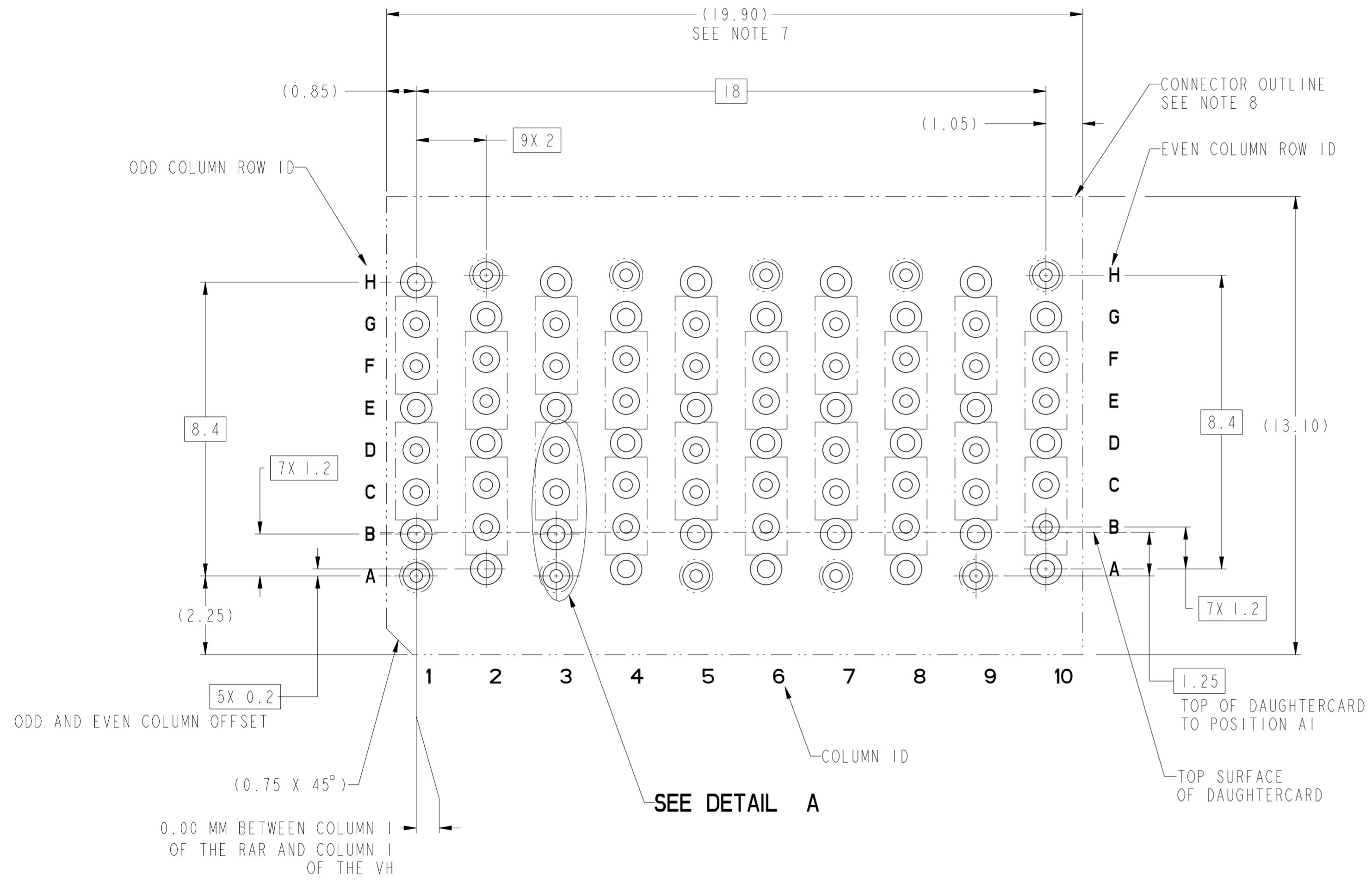
PDS: Rev :B

STATUS:Released

Printed: Dec 01, 2017

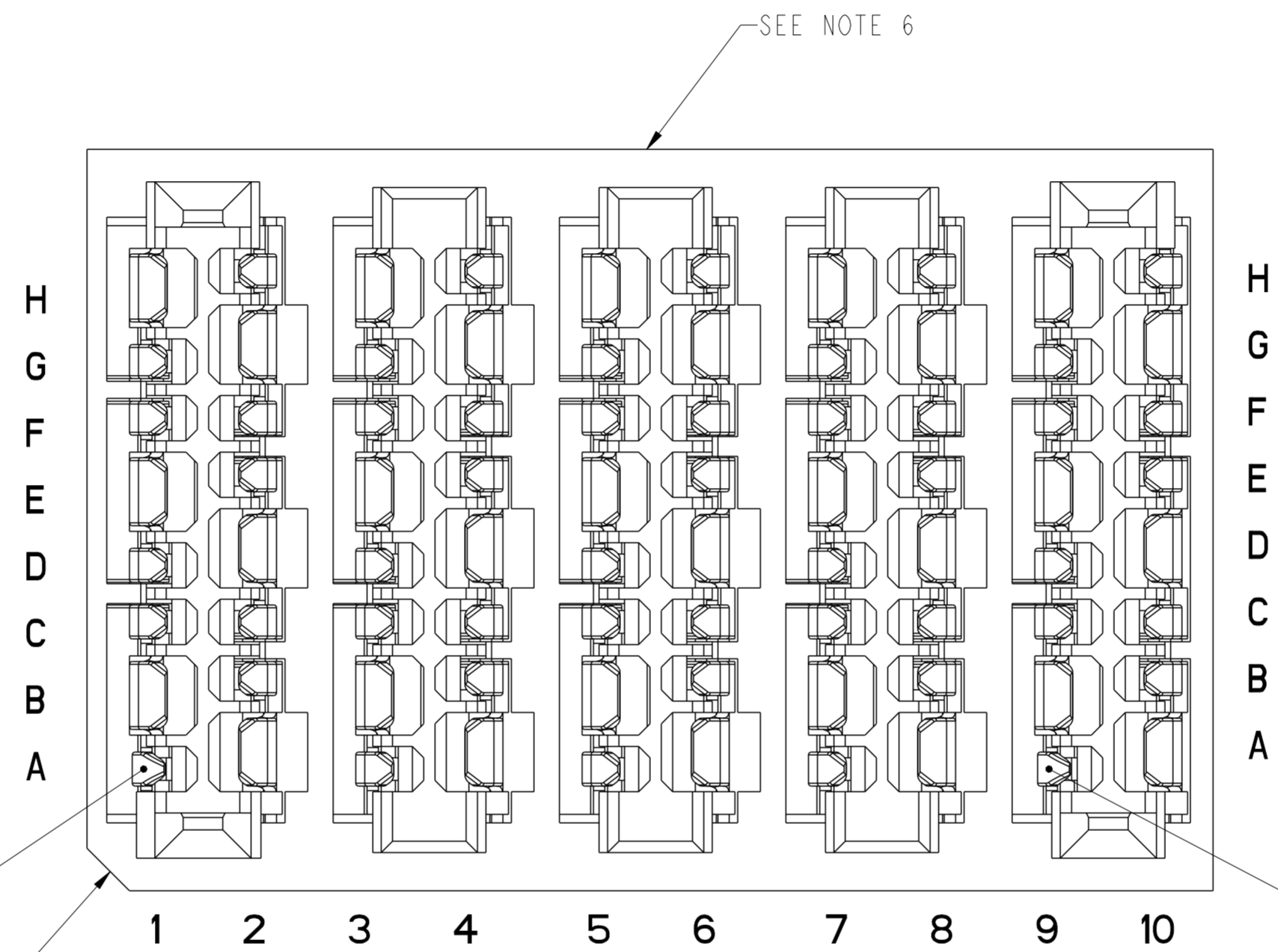
Amphenol FCI

© 2016 APCI



RECOMMENDED PCB LAYOUT FOR
10124414-Y01LF COMPONENT SIDE
SEE NOTES 7, 8, 9, & 11

spec ref	---	dr	Daniel Xiao	2014/01/21	projection	MM	size	A2	scale	10:1	
tolerance std	ASME Y14.5M	eng	Peng-Bing Fu	2017/11/07			ecn no	ELX-DG-28204-1			
TOLERANCES UNLESS OTHERWISE SPECIFIED		chr	Justin Chen	2017/11/29			rel level	Released			
surface	-	appr	Heaven Cen	2017/11/30			product family	ExaMAX			
	linear	0.X	±.3		title		ExaMAX VERTICAL HEADER		dwg no	10124414	
		0.XX	±.10		ASS'Y, 2 PAIR, 80 POS, 10 IMLA		rev	B			
	angular	0°	±2°		cat. no.	SEE TABLE	Product - Customer Drw	sheet 2 of 17			



10124414-201LF
ADVANCED MATE CONNECTOR
 ADVANCED MATE POSITIONS ARE POSITIONS A1 AND A9 ONLY
 FOR ALL OTHER DIMENSIONS SEE SHEETS 1 & 2

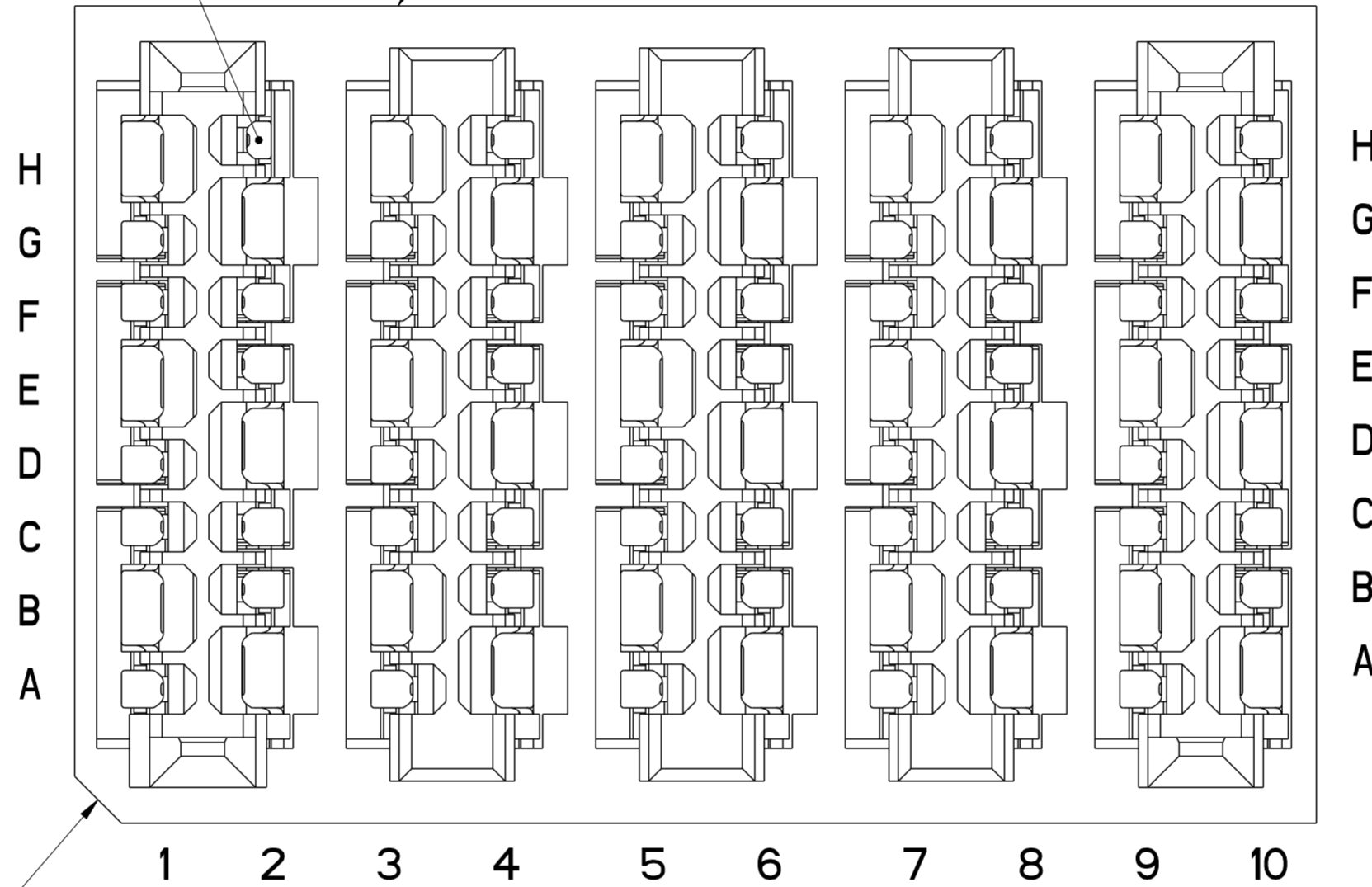
**Amphenol
FCi**

© 2016 AFci

spec ref	---	dr	Daniel Xiao	2014/01/21	projection	MM	size	A2	scale	10:1				
tolerance std	ASME Y14.5M	eng	Peng-Bing Fu	2017/11/07			ecn no	ELX-DG-28204-1						
TOLERANCES UNLESS OTHERWISE SPECIFIED		chr	Justin Chen	2017/11/29			rel level	Released						
		appr	Heaven Cen	2017/11/30			product family	ExaMAX						
surface	-			title ExaMAX VERTICAL HEADER ASS'Y, 2 PAIR, 80 POS, 10 IMLA			dwg no 10124414	rev B						
linear ✓	0.X										±.3	cat. no. SEE TABLE Product - Customer Drw sheet 3 of 17		
	0.XX										±.10			
	0.XXX	±.050												
	angular	0°	±2°											

SHORT DETECT
POSITION H2
SEE NOTE 14

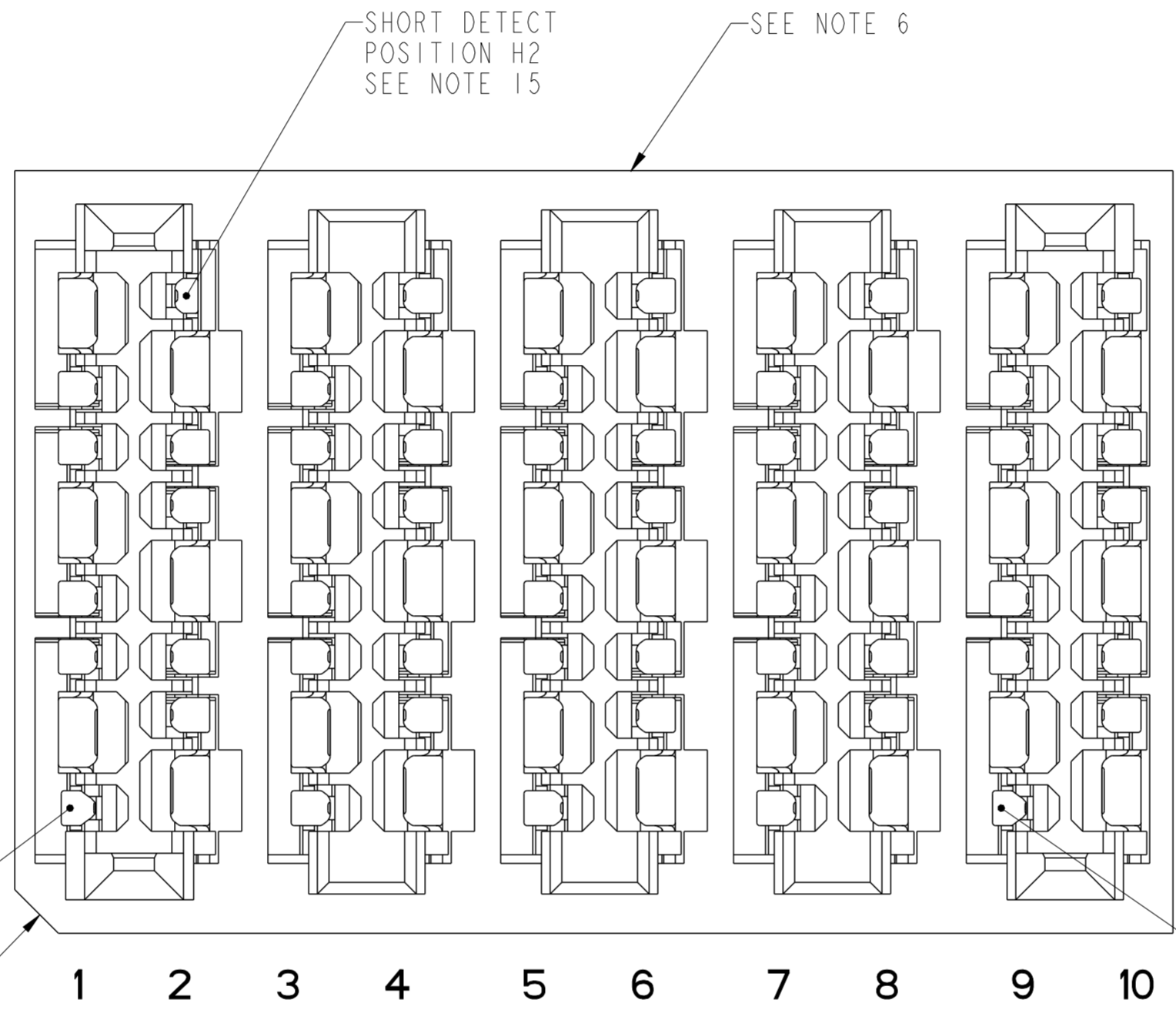
SEE NOTE 6



AI CORNER CHAMFER

10124414-301LF
SHORT DETECT CONNECTOR
SHORT DETECT POSITION IS H2 ONLY
FOR ALL OTHER DIMENSIONS SEE SHEETS 1 & 2

spec ref	---	dr	Daniel Xiao	2014/01/21	projection	MM	size	A2	scale	10:1												
tolerance std	ASME Y14.5M	eng	Peng-Bing Fu	2017/11/07			ecn no	ELX-DG-28204-1														
TOLERANCES UNLESS OTHERWISE SPECIFIED		chr	Justin Chen	2017/11/29			rel level	Released														
surface	<table border="1"> <tr> <td>linear</td> <td>0.X</td> <td>±.3</td> </tr> <tr> <td></td> <td>0.XX</td> <td>±.10</td> </tr> <tr> <td></td> <td>0.XXX</td> <td>±.050</td> </tr> <tr> <td>angular</td> <td>0°</td> <td>±2°</td> </tr> </table>	linear	0.X	±.3		0.XX	±.10		0.XXX	±.050	angular	0°	±2°	appr	Heaven Cen	2017/11/30	product family	ExaMAX		rel level	Released	
linear	0.X	±.3																				
	0.XX	±.10																				
	0.XXX	±.050																				
angular	0°	±2°																				
					title ExaMAX VERTICAL HEADER ASS'Y, 2 PAIR, 80 POS, 10 IMLA		dwg no 10124414	rev B														
		cat. no.			SEE TABLE	Product - Customer Drw		sheet 4 of 17														

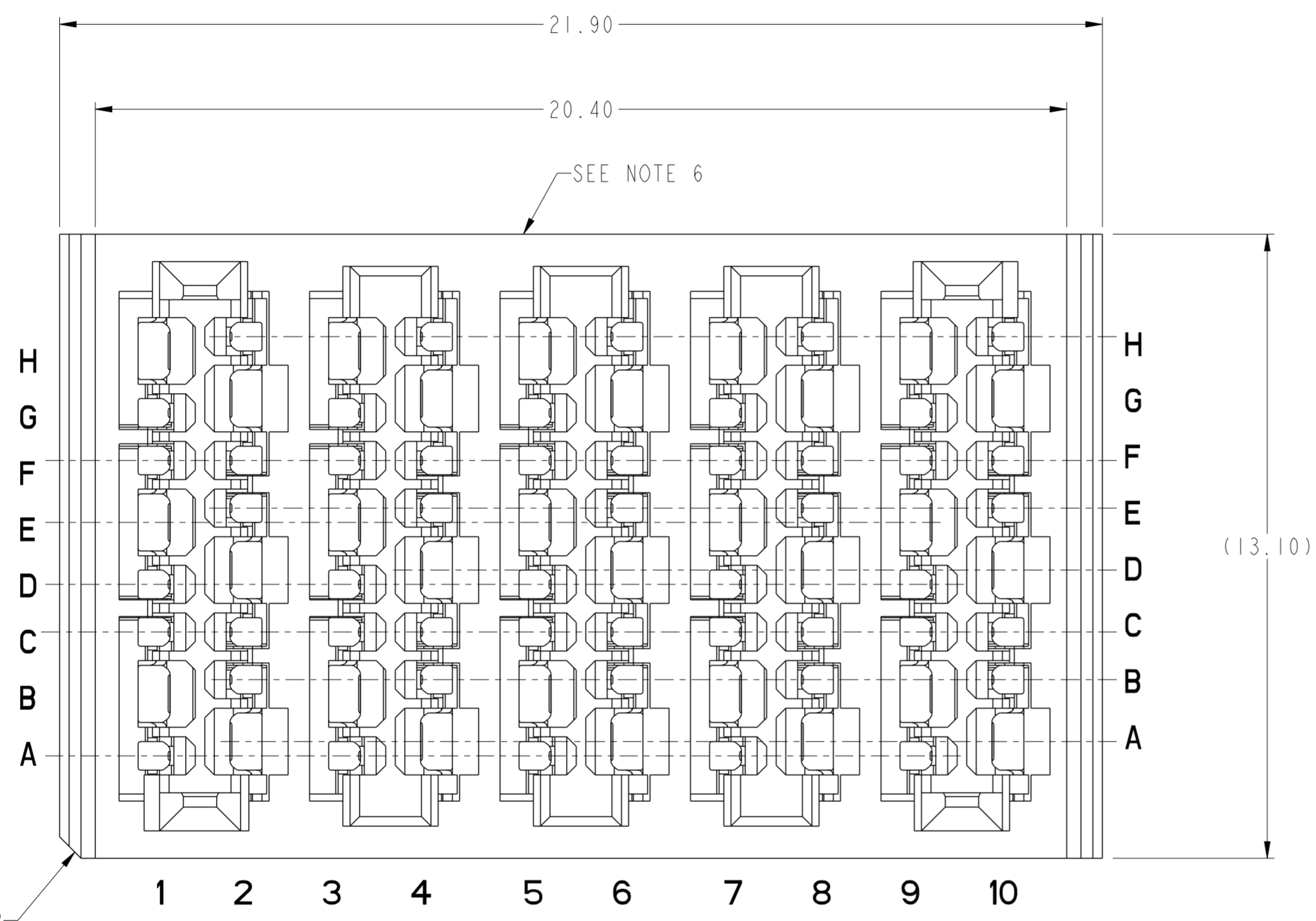


10124414-401LF
ADVANCED MATE/SHORT DETECT CONNECTOR
ADVANCED MATE POSITIONS ARE POSITIONS A1 AND A9 ONLY
SHORT DETECT POSITION IS H2 ONLY
FOR ALL OTHER DIMENSIONS SEE SHEETS 1 & 2

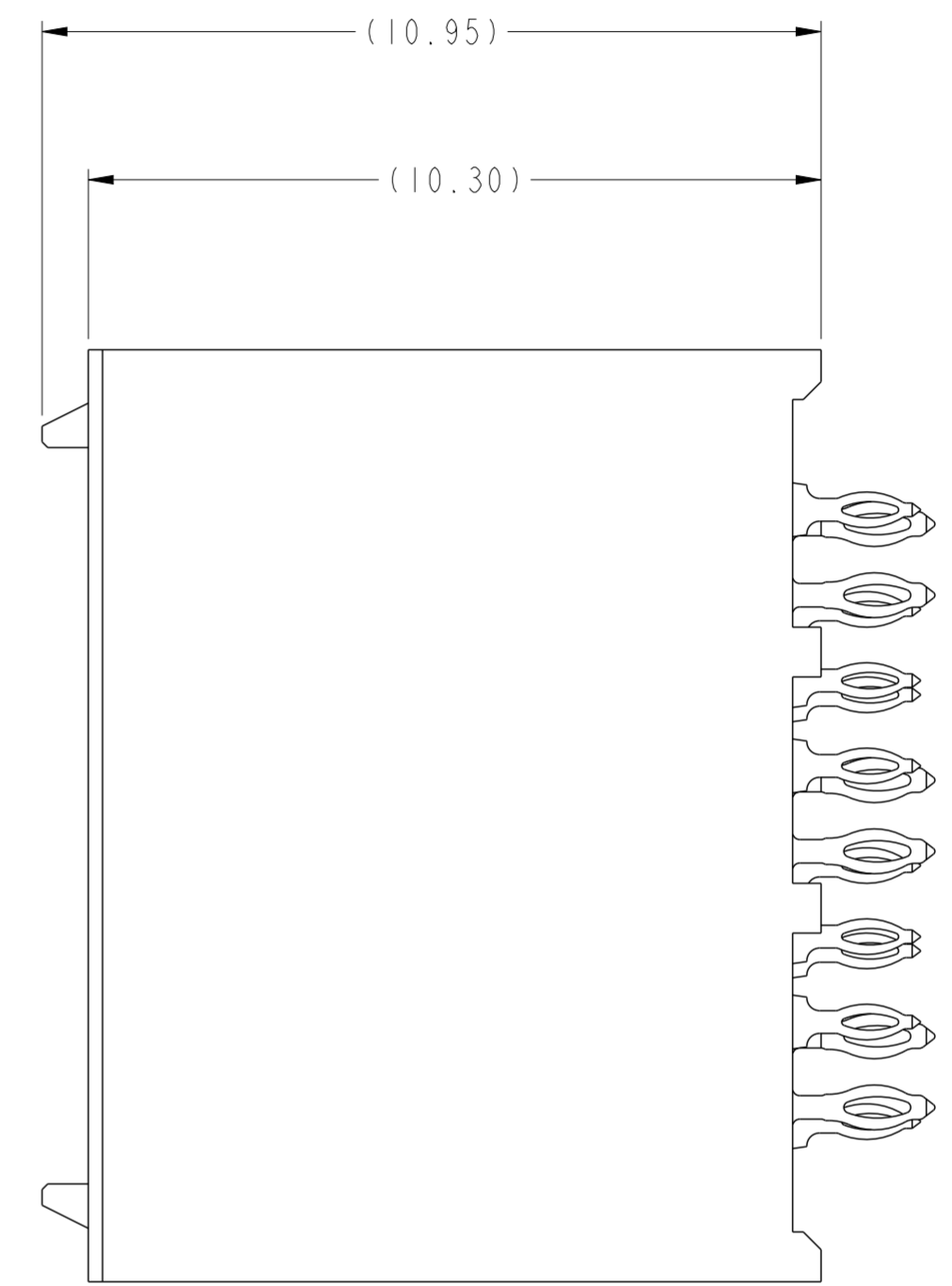
**Amphenol
FCi**

© 2016 AFci

spec ref	---	dr	Daniel Xiao	2014/01/21	projection	MM	size	A2	scale	10:1			
tolerance std	ASME Y14.5M	eng	Peng-Bing Fu	2017/11/07			ecn no	ELX-DG-28204-1					
TOLERANCES UNLESS OTHERWISE SPECIFIED		chr	Justin Chen	2017/11/29			rel level	Released					
		appr	Heaven Cen	2017/11/30			product family	ExaMAX					
surface	-	linear	0.X	±.3		ExaMAX VERTICAL HEADER ASS'Y, 2 PAIR, 80 POS, 10 IMLA	dwg no 10124414	rev B	cat. no.		SEE TABLE	Product - Customer Drw	sheet 5 of 17
		0.XX	±.10										
		0.XXX	±.050										
		angular	0°	±2°									

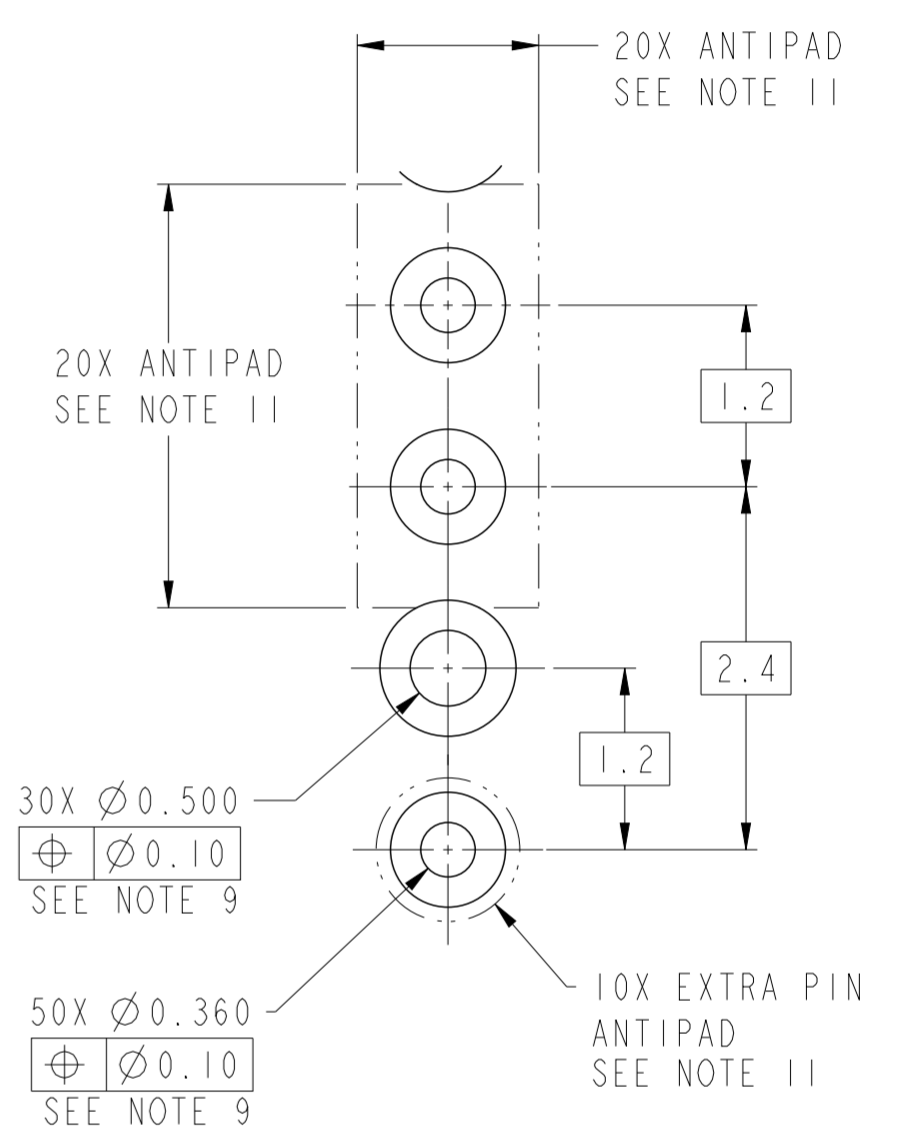
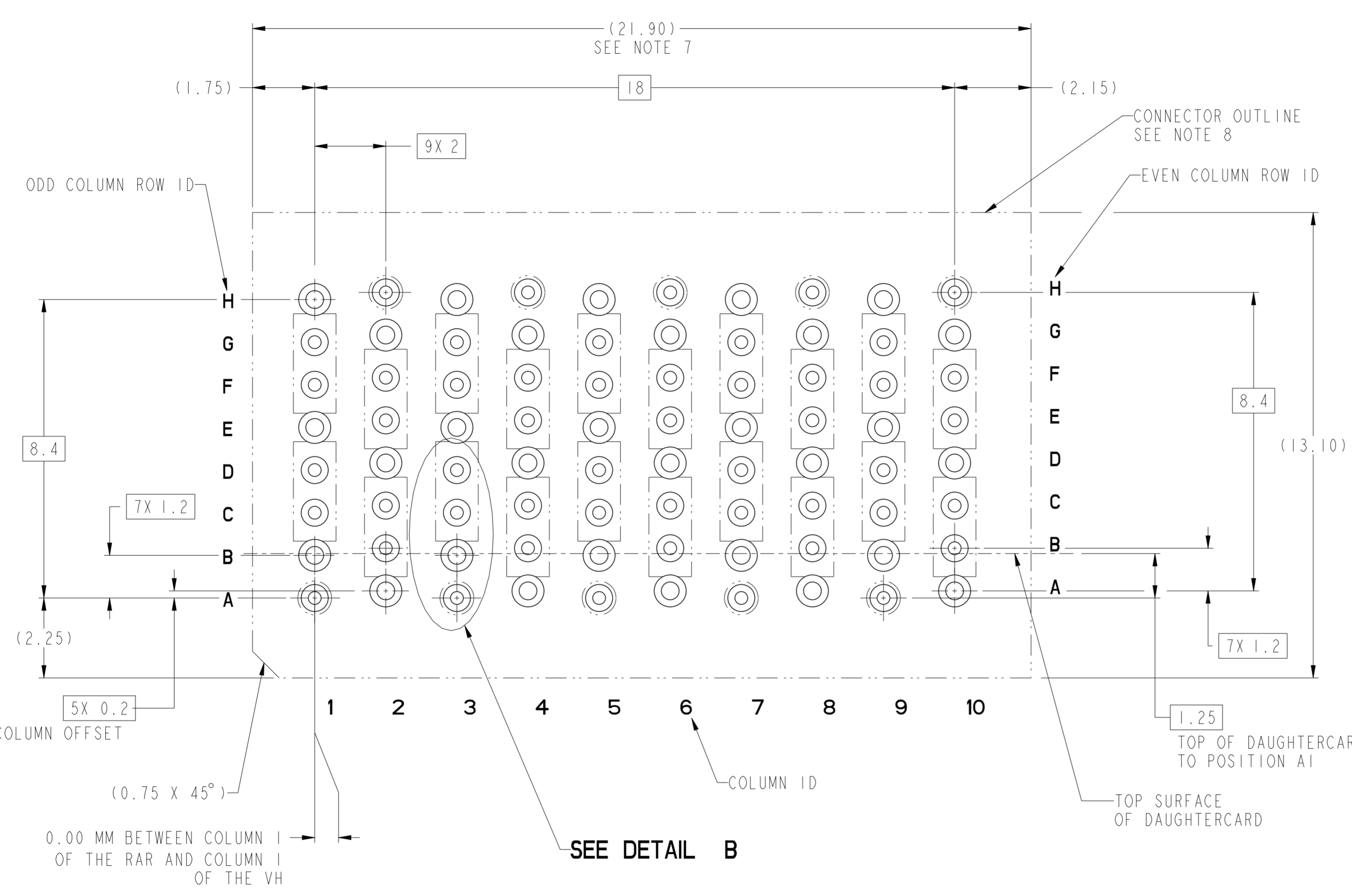


AI CORNER CHAMFER



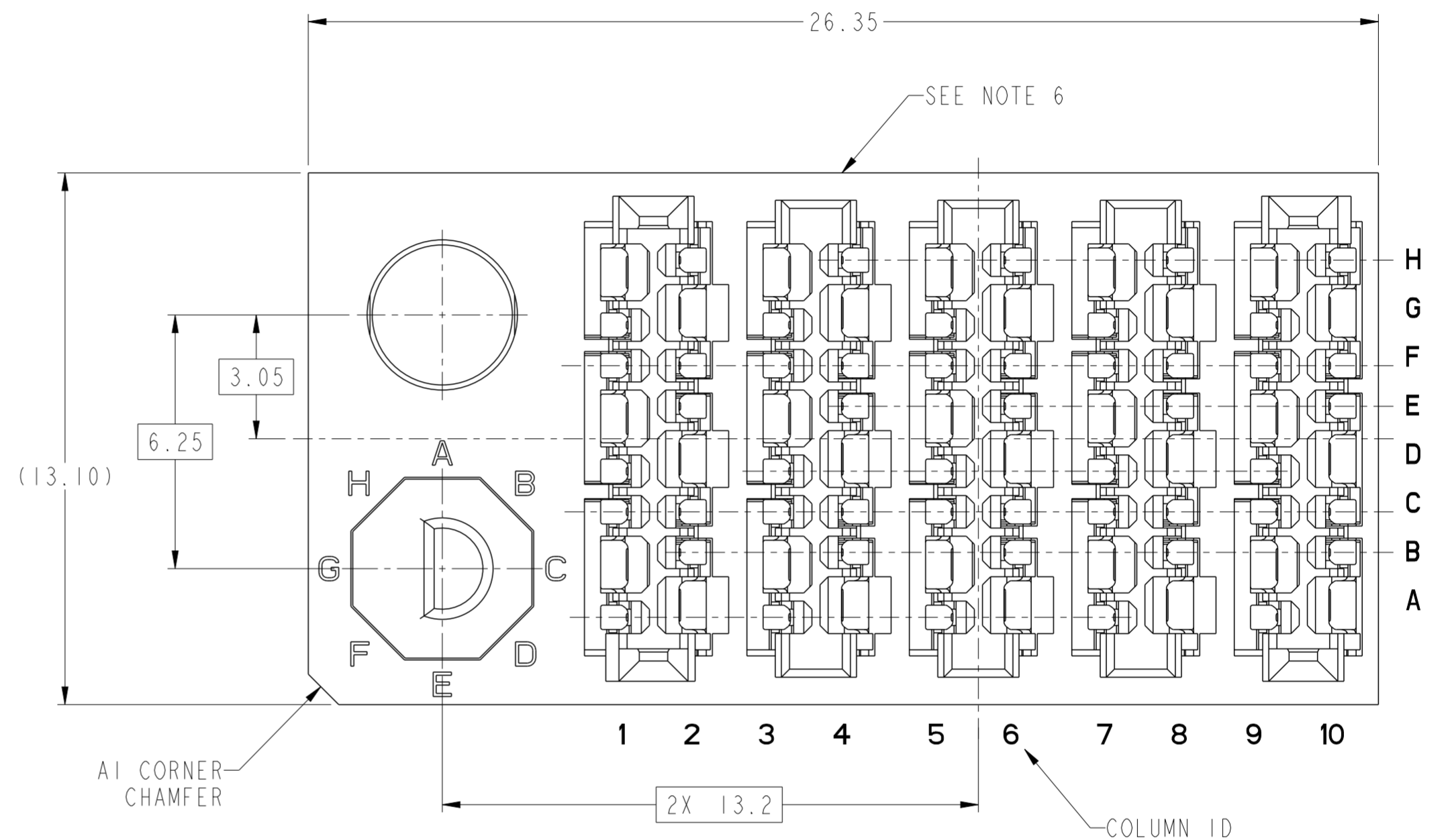
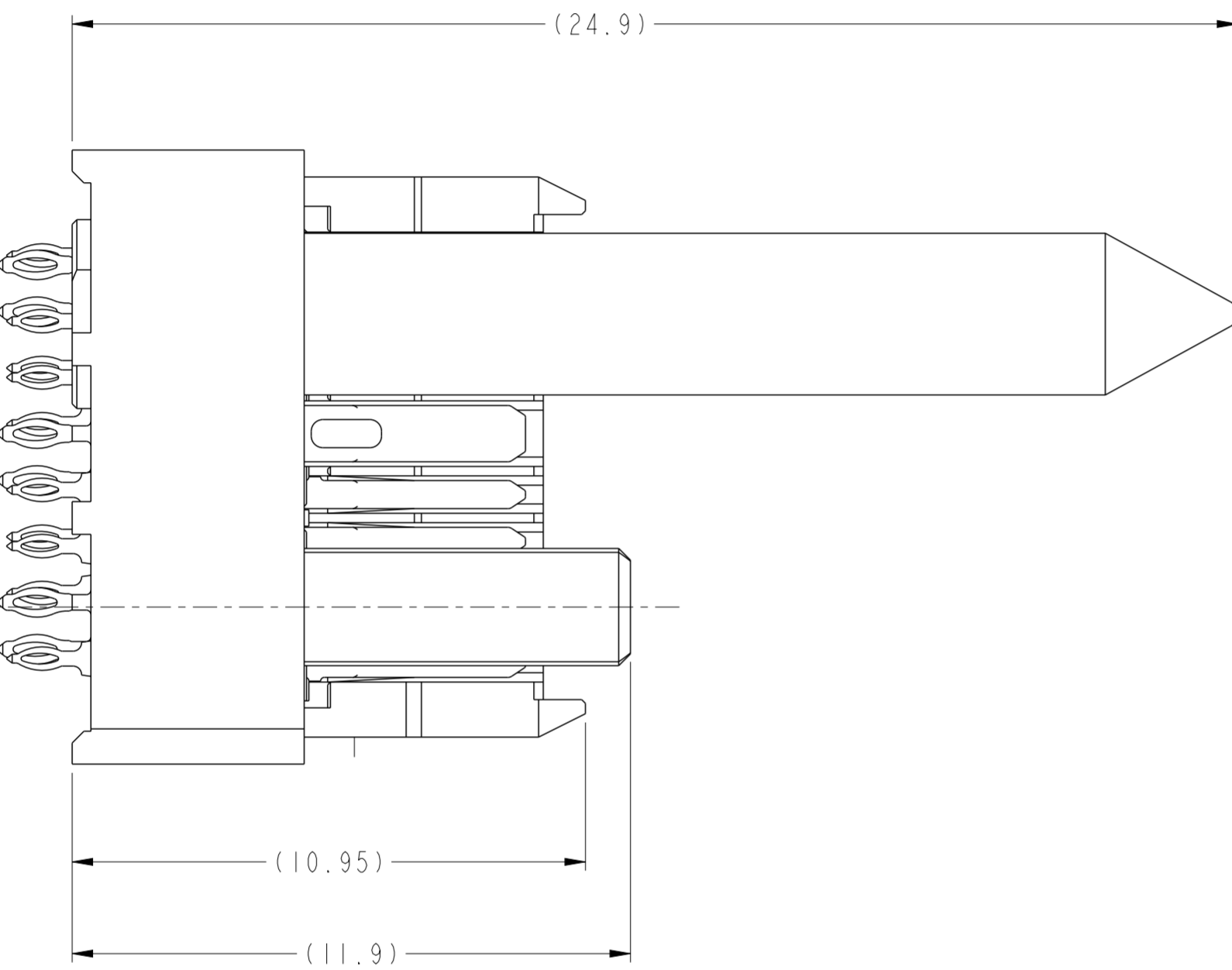
10124414-Y02LF (10124414-102LF SHOWN)
END WALLED CONNECTOR
FOR ALL DIMENSIONS SEE SHEET 1

spec ref	---	dr	Daniel Xiao	2014/01/21	projection	MM	size	A2	scale	10:1	
tolerance std	ASME Y14.5M	eng	Peng-Bing Fu	2017/11/07			ecn no	ELX-DG-28204-1			
TOLERANCES UNLESS OTHERWISE SPECIFIED		chr	Justin Chen	2017/11/29			rel level	Released			
surface	-	appr	Heaven Cen	2017/11/30			product family	ExaMAX		rel level	Released
	linear	0.X	±.3		title		ExaMAX VERTICAL HEADER		dwg no 10124414	rev B	
		0.XX	±.10		title		ASS'Y, 2 PAIR, 80 POS, 10 IMLA				
		0.XXX	±.050		cat. no.		SEE TABLE				
	angular	0°	±2°	Product - Customer Drw		sheet 6 of 17					



RECOMMENDED PCB LAYOUT FOR
10124414-Y02LF (END WALLED CONNECTOR) COMPONENT SIDE
SEE NOTES 7, 8, 9, & 11

spec ref	---	dr	Daniel Xiao	2014/01/21	projection	MM	size	A2	scale	10:1
tolerance std	ASME Y14.5M	eng	Peng-Bing Fu	2017/11/07			ecn no	ELX-DG-28204-1	rel level	Released
TOLERANCES UNLESS OTHERWISE SPECIFIED		chr	Justin Chen	2017/11/29						
		appr	Heaven Cen	2017/11/30						
surface	linear	0.X	±.3		product family		ExaMAX	dwg no 10124414	rev B	
		0.XX	±.10		title		ExaMAX VERTICAL HEADER			
		0.XXX	±.050		ASS'Y, 2 PAIR, 80 POS, 10 IMLA					
	angular	0°	±2°	cat. no.	SEE TABLE	Product - Customer Drw	sheet 7 of 17			



10124414-Y1ALF THRU -Y1JLF
 RIGHT GUIDANCE CONNECTOR (SEE NOTE 17)
 FOR ALL OTHER DIMENSIONS SEE SHEET 1

Amphenol
 FCI

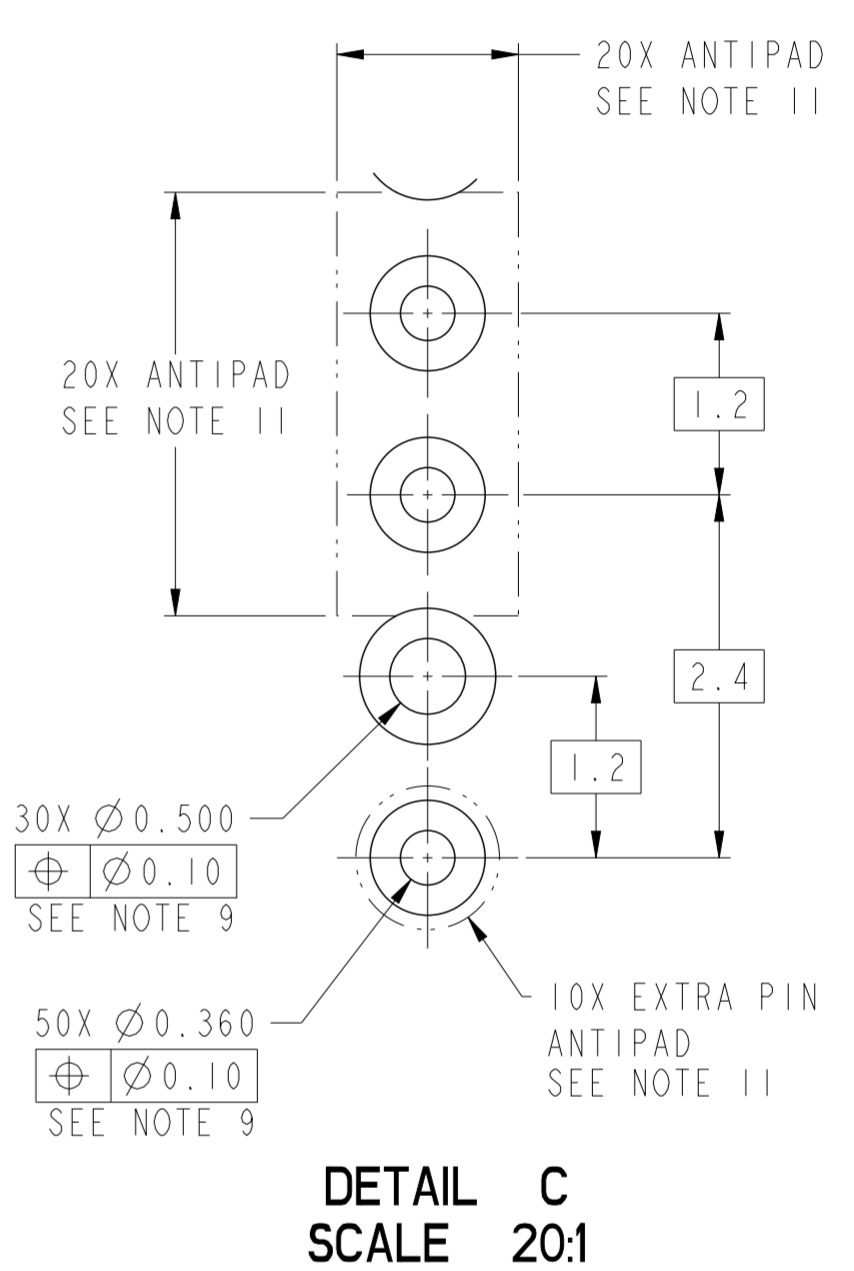
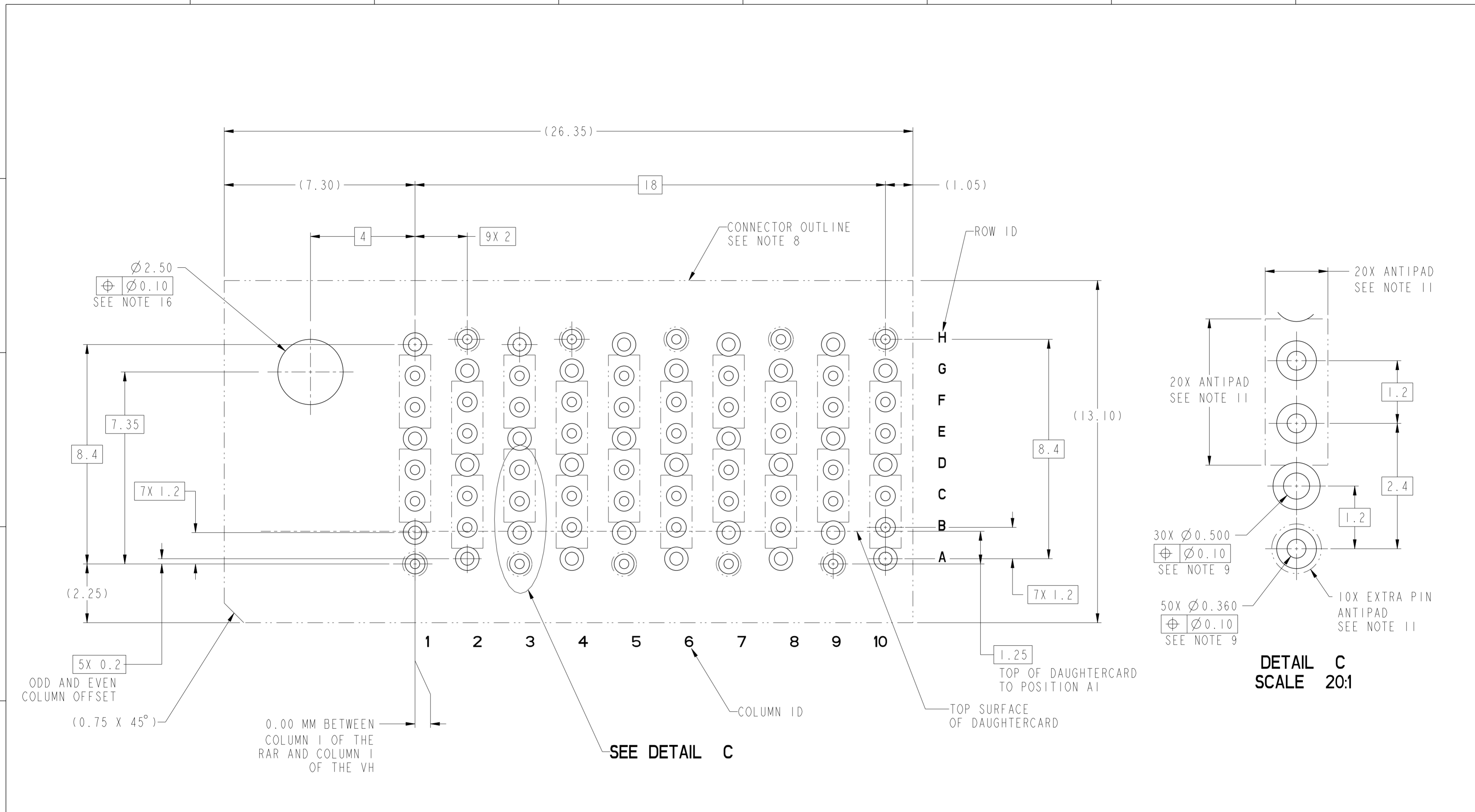
© 2016 APCI

spec ref	---	dr	Daniel Xiao	2014/01/21	projection	MM	size	A2	scale	10:1									
tolerance std	ASME Y14.5M	eng	Peng-Bing Fu	2017/11/07			ecn no	ELX-DG-28204-1											
TOLERANCES UNLESS OTHERWISE SPECIFIED		chr	Justin Chen	2017/11/29			rel level	Released											
		appr	Heaven Cen	2017/11/30			product family	ExaMAX											
surface	<table border="1"> <tr> <td rowspan="3">-</td> <td rowspan="3">linear</td> <td>0.X</td> <td>±.3</td> </tr> <tr> <td>0.XX</td> <td>±.10</td> </tr> <tr> <td>0.XXX</td> <td>±.050</td> </tr> <tr> <td></td> <td>angular</td> <td>0°</td> <td>±2°</td> </tr> </table>	-	linear	0.X	±.3	0.XX	±.10	0.XXX	±.050		angular	0°	±2°		title ExaMAX VERTICAL HEADER ASS'Y, 2 PAIR, 80 POS, 10 IMLA	cat. no. SEE TABLE	Product - Customer Drw	sheet 8 of 17	rev B
-	linear			0.X	±.3														
				0.XX	±.10														
		0.XXX	±.050																
	angular	0°	±2°																

PDS: Rev :B

STATUS:Released

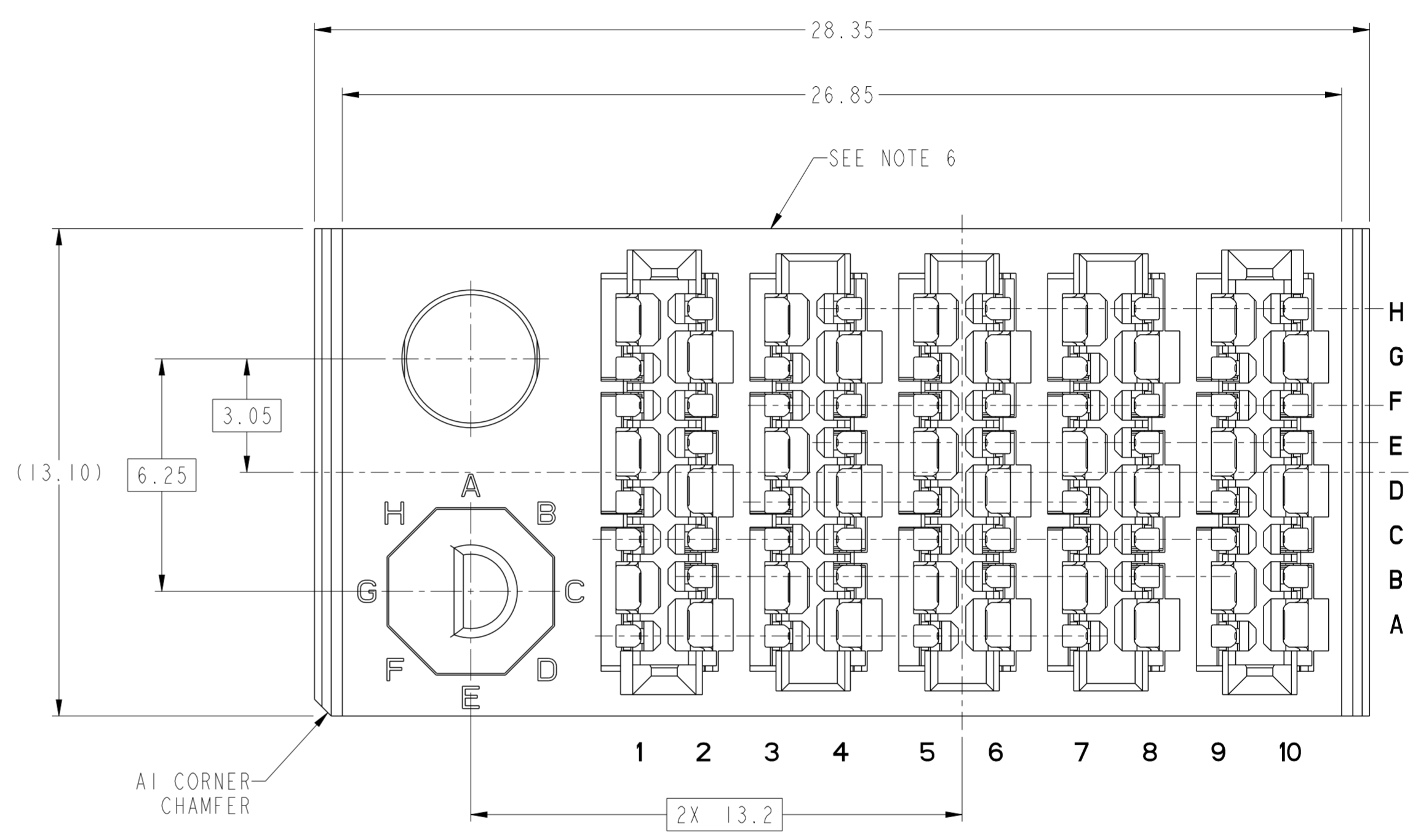
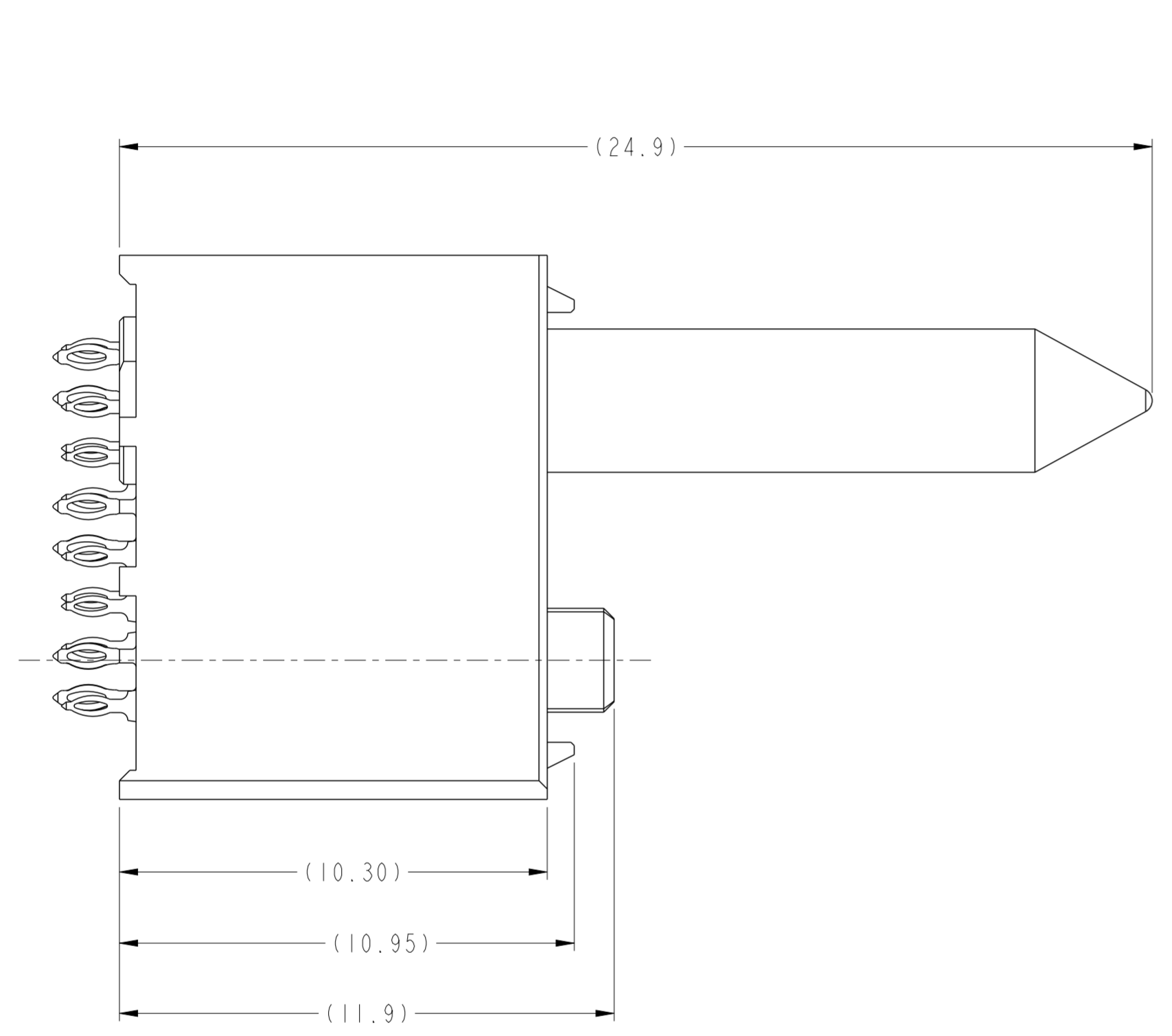
Printed: Dec 01, 2017



DETAIL C
SCALE 20:1

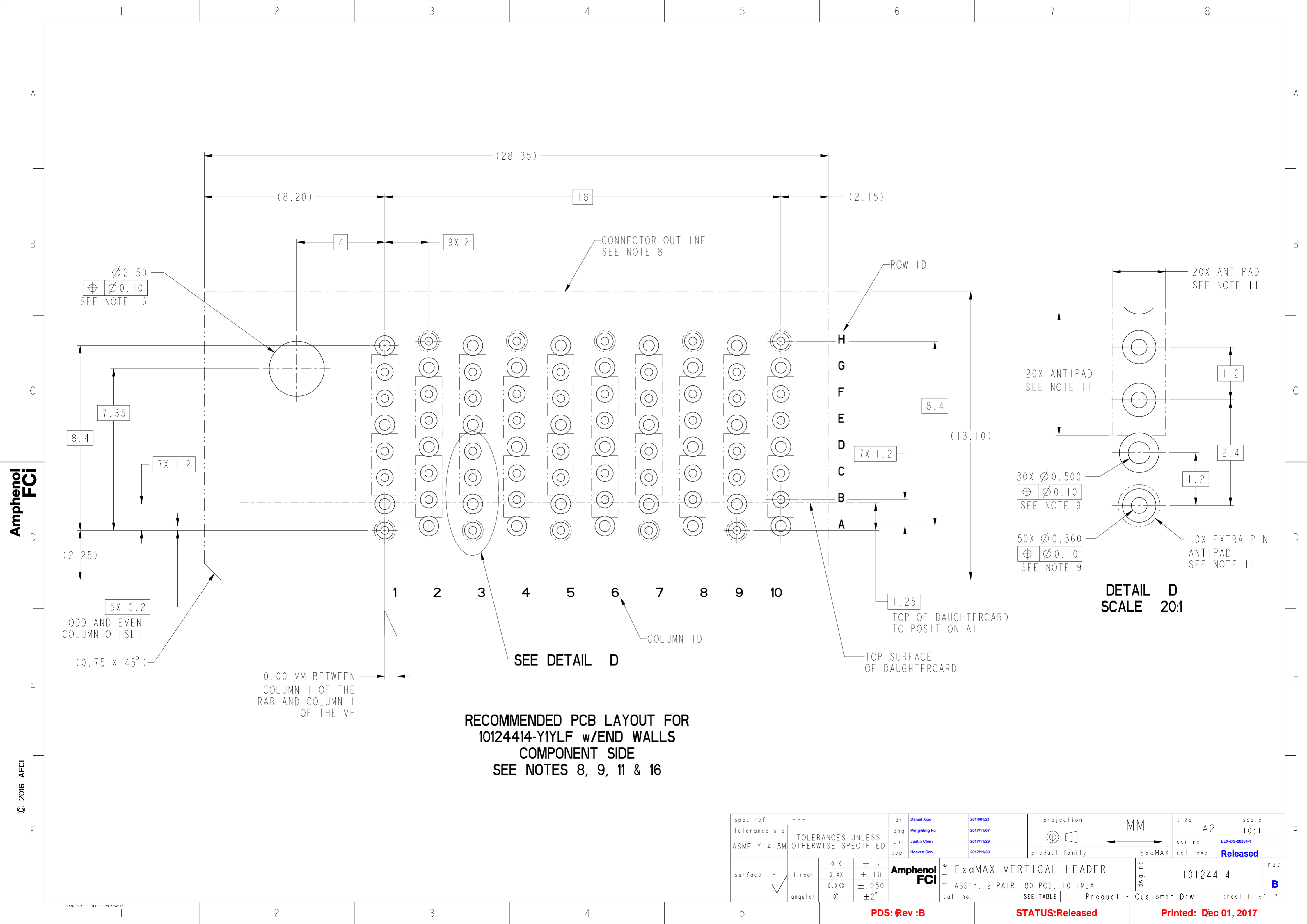
RECOMMENDED PCB LAYOUT FOR
10124414-Y1YLF w/o END WALLS
COMPONENT SIDE
SEE NOTES 8, 9, 11 & 16

spec ref	---	dr	Daniel Xiao	2014/01/21	projection	MM	size	A2	scale	10:1	
tolerance std	ASME Y14.5M	eng	Peng-Bing Fu	2017/11/07			ecn no	ELX-DG-28204-1			
TOLERANCES UNLESS OTHERWISE SPECIFIED		chr	Justin Chen	2017/11/29			rel level	Released			
surface	linear	0.X	±.3	0.XX			±.10	0.XXX	±.050	Amphenol FCI	
	angular	0°	±2°	Amphenol FCI		title ExaMAX VERTICAL HEADER ASS'Y, 2 PAIR, 80 POS, 10 IMLA	dwg no 10124414	rev B	cat. no. SEE TABLE Product - Customer Draw sheet 9 of 17		



10124414-Y1LLF THRU -Y1WLF
RIGHT GUIDANCE CONNECTOR w/END WALLS (SEE NOTE 17)
FOR ALL OTHER DIMENSIONS SEE SHEET 1

spec ref	---	dr	Daniel Xiao	2014/01/21	projection	MM	size	A2	scale	101:1												
tolerance std	ASME Y14.5M	eng	Peng-Bing Fu	2017/11/07			ecn no	ELX-DG-28204-1	rel level	Released												
TOLERANCES UNLESS OTHERWISE SPECIFIED		chr	Justin Chen	2017/11/29			product family	ExaMAX														
surface	<table border="1"> <tr> <td>linear</td> <td>0.X</td> <td>±.3</td> </tr> <tr> <td></td> <td>0.XX</td> <td>±.10</td> </tr> <tr> <td></td> <td>0.XXX</td> <td>±.050</td> </tr> <tr> <td>angular</td> <td>0°</td> <td>±2°</td> </tr> </table>	linear	0.X	±.3				0.XX		±.10		0.XXX	±.050	angular	0°	±2°	apppr	Heaven Cen	2017/11/30	title	ExaMAX VERTICAL HEADER ASS'Y, 2 PAIR, 80 POS, 10 IMLA	dwg no
linear	0.X	±.3																				
	0.XX	±.10																				
	0.XXX	±.050																				
angular	0°	±2°																				
		Amphenol FCi		cat. no.	SEE TABLE	Product - Customer Drw	sheet 10 of 17															



Amphenol
FCi

© 2016 AFci

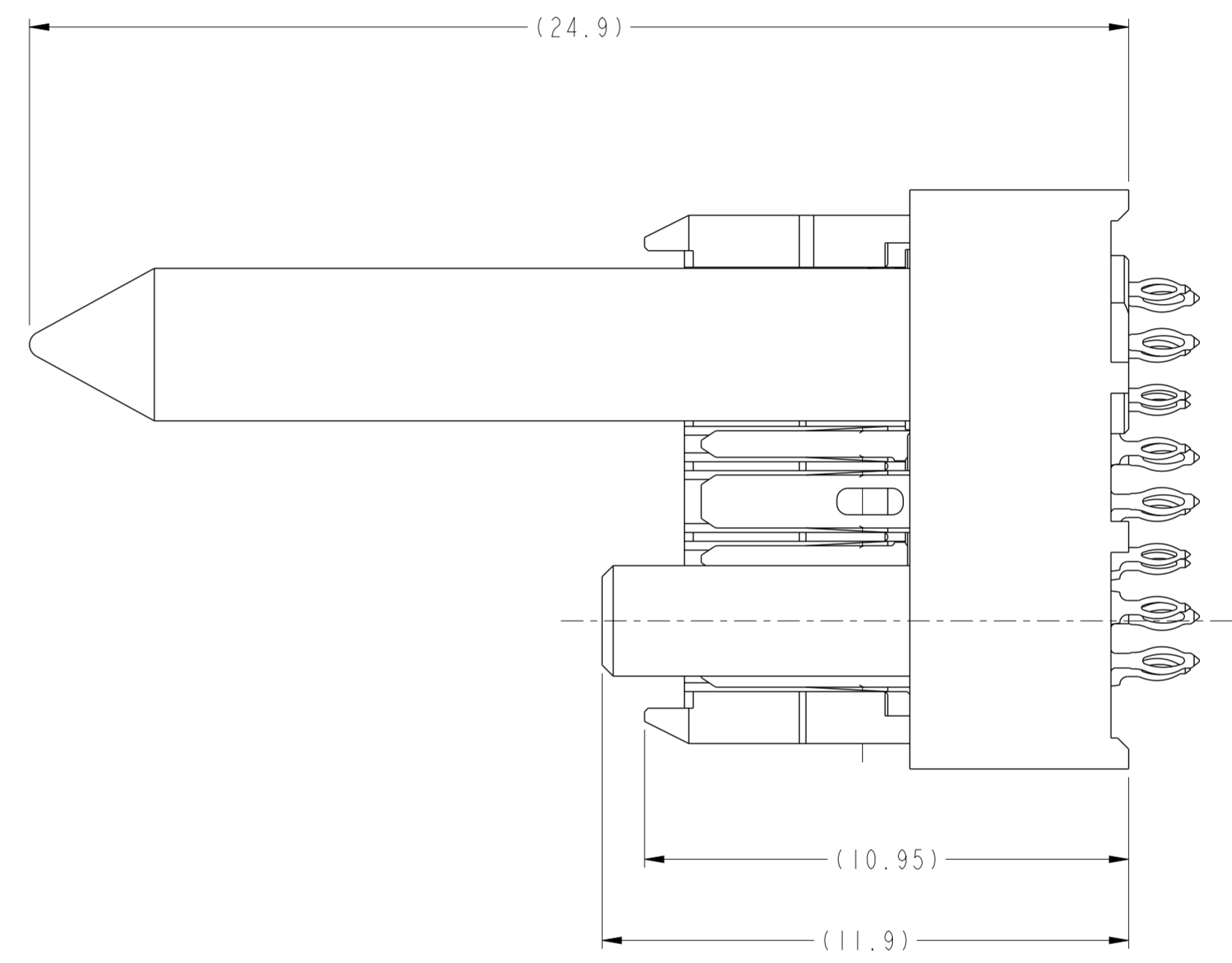
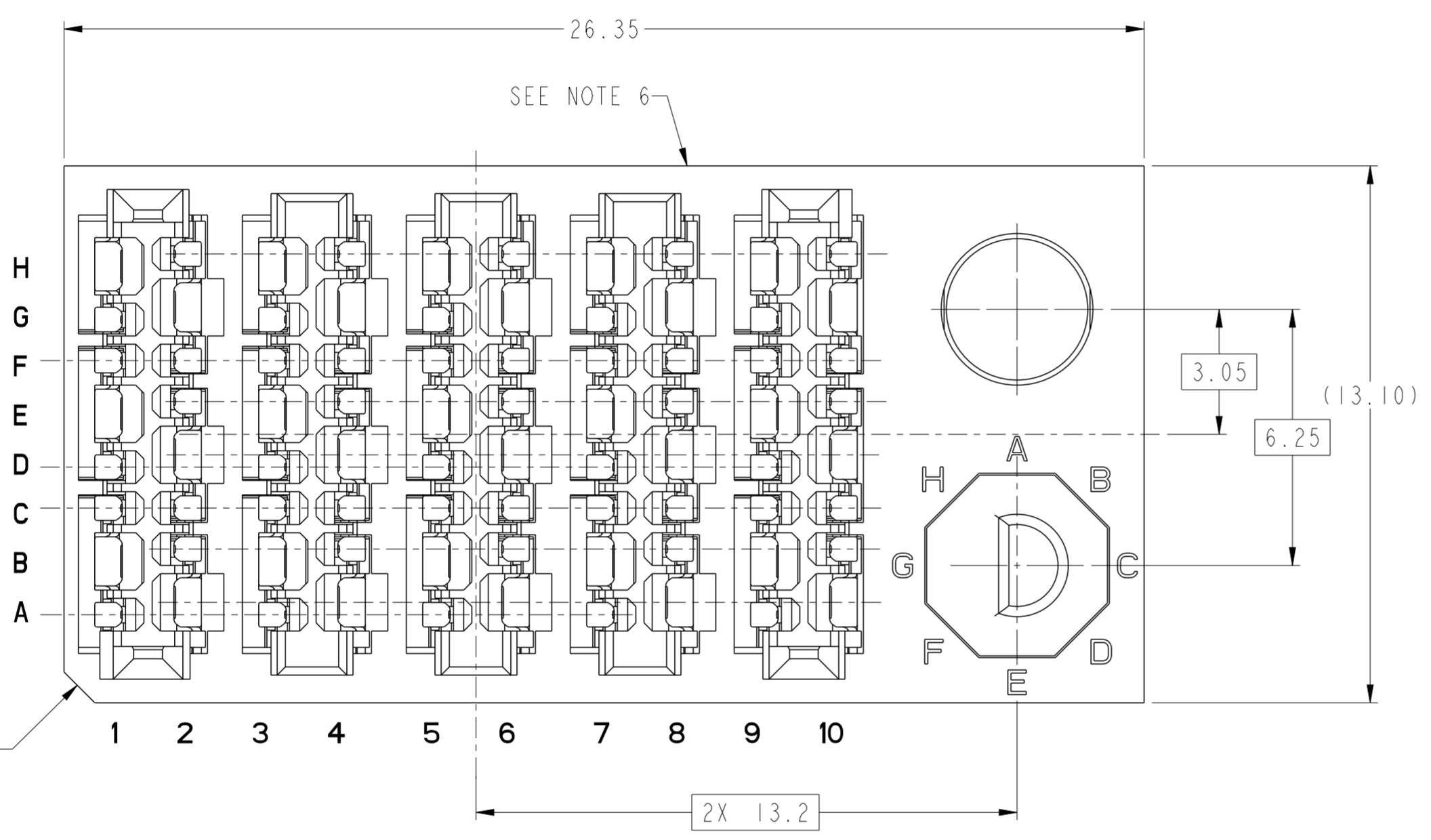
**RECOMMENDED PCB LAYOUT FOR
10124414-Y1YLF w/END WALLS
COMPONENT SIDE
SEE NOTES 8, 9, 11 & 16**

spec ref	---	dr	Daniel Xiao	2014/01/21	projection	MM	size	A2	scale	10:1
tolerance std	ASME Y14.5M	eng	Peng-Bing Fu	2017/11/07			ecn no	ELX-DG-28204-1	rel level	Released
TOLERANCES UNLESS OTHERWISE SPECIFIED		chr	Justin Chen	2017/11/29						
		appr	Heaven Cen	2017/11/30						
surface	-				product family	ExaMAX	rel level	Released		
	linear	0.X	±.3	Amphenol FCi	title		ExaMAX VERTICAL HEADER	10124414	rev B	
		0.XX	±.10		ASS'Y, 2 PAIR, 80 POS, 10 IMLA					
		0.XXX	±.050		cat. no. SEE TABLE					
	angular	0°	±2°	Product - Customer Drw		sheet 11 of 17				

PDS: Rev :B

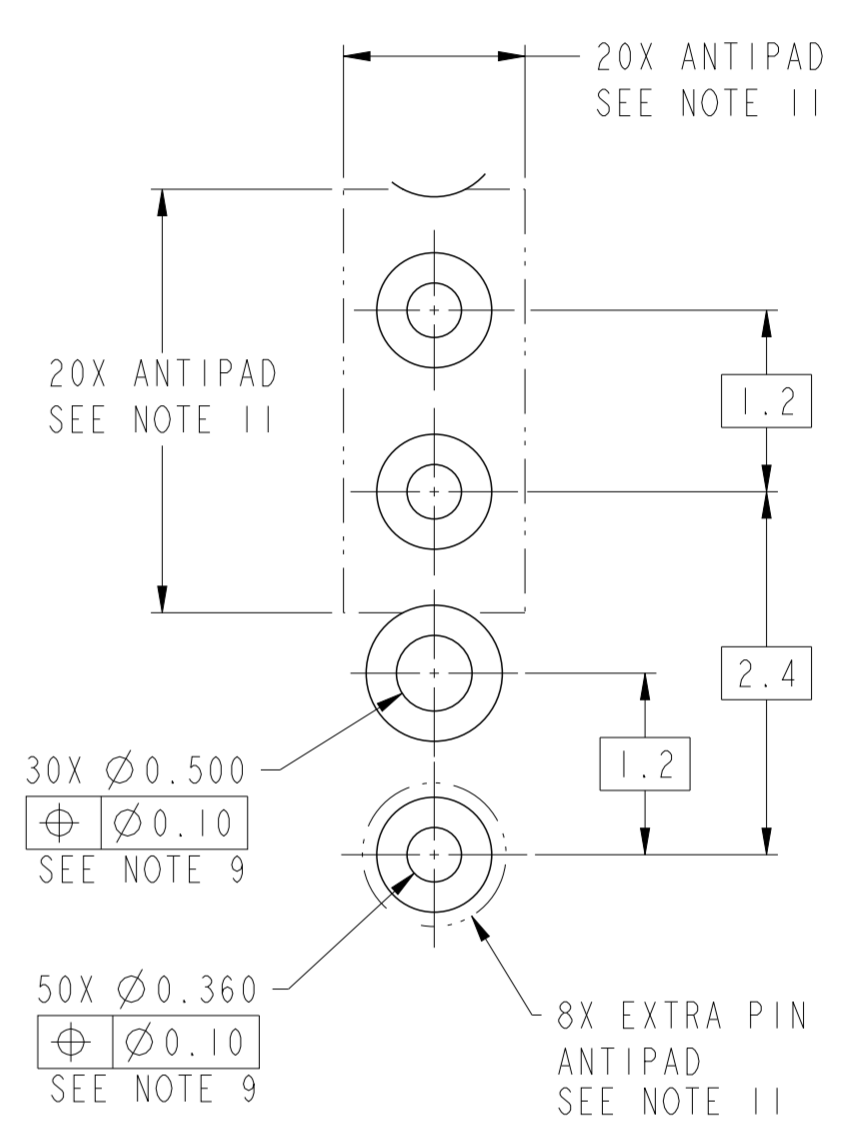
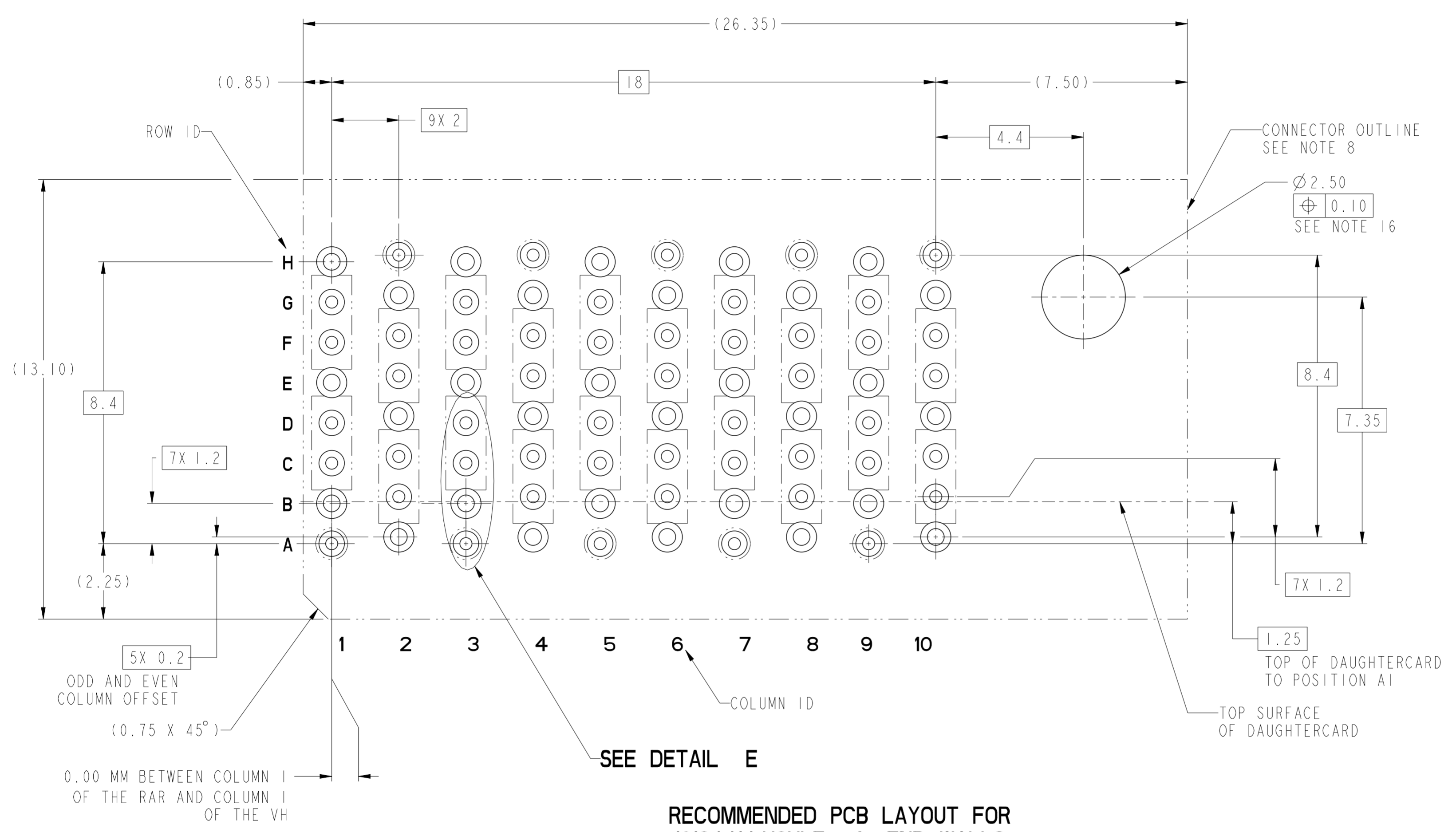
STATUS:Released

Printed: Dec 01, 2017



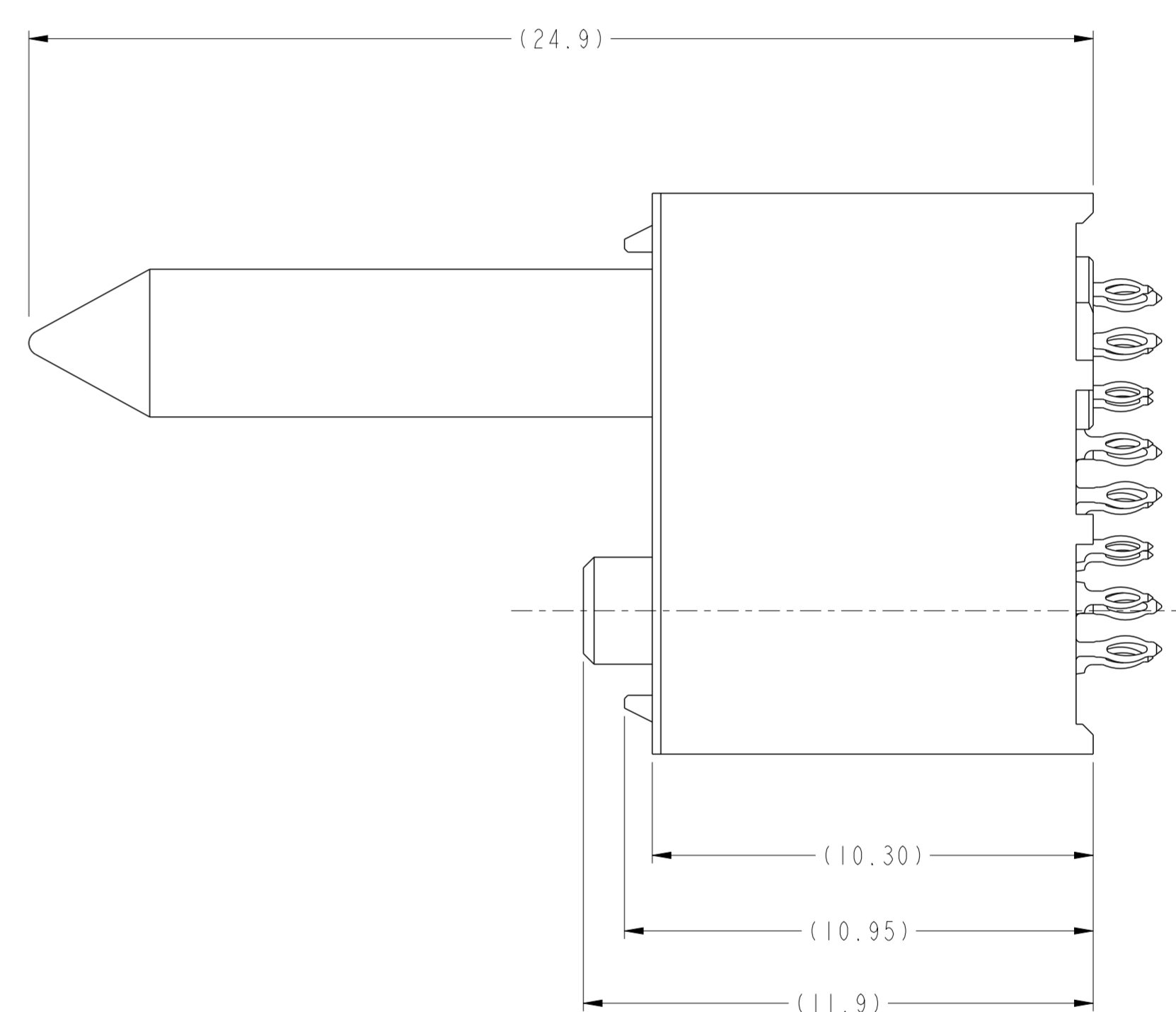
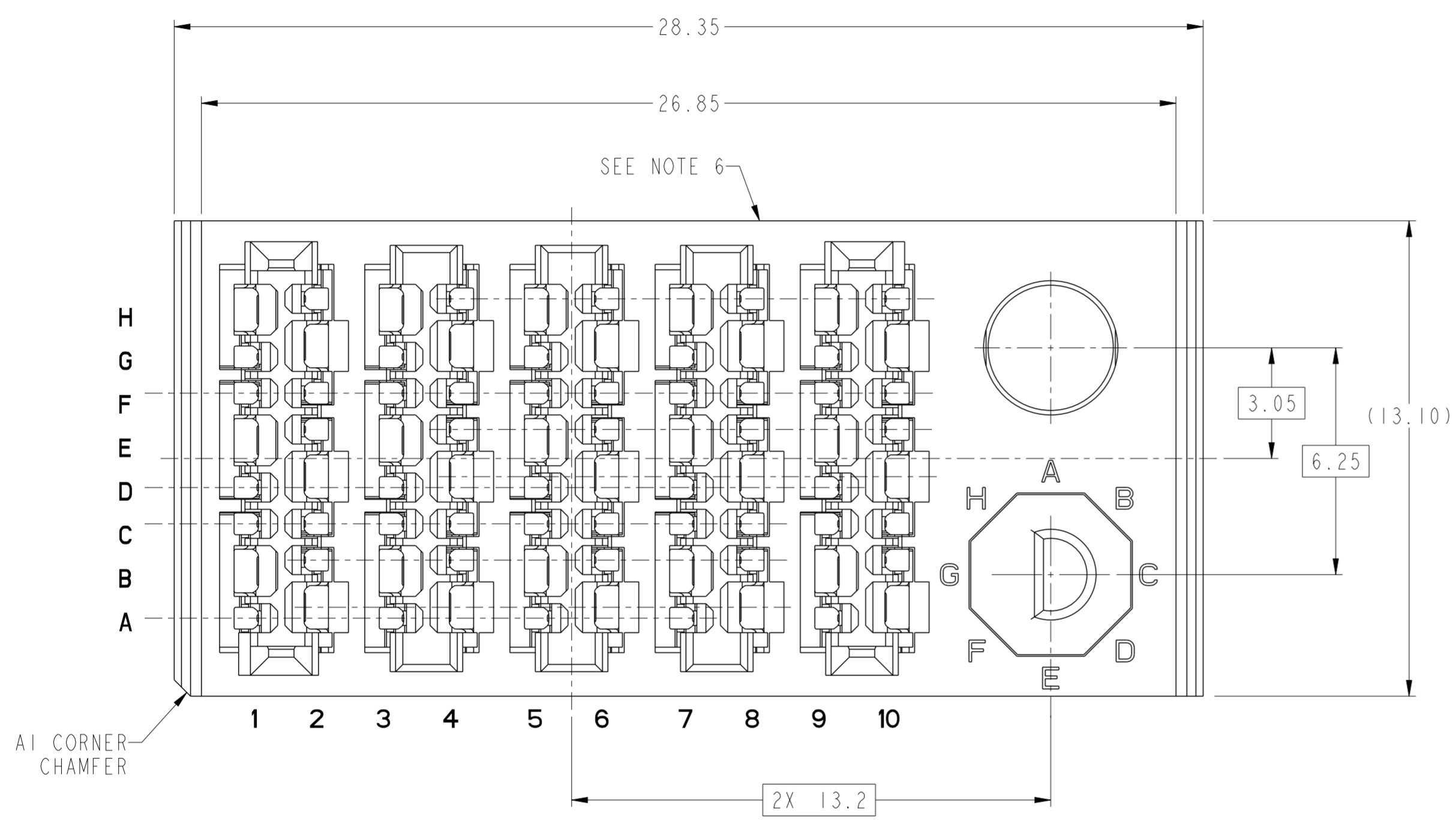
10124414-Y2ALF THRU -Y2JLF
LEFT GUIDANCE CONNECTOR (SEE NOTE 17)
FOR ALL DIMENSIONS SEE SHEET 1

spec ref	---	dr	Daniel Xiao	2014/01/21	projection	MM	size	A2	scale	10:1	
tolerance std	ASME Y14.5M	eng	Peng-Bing Fu	2017/11/07			ecn no	ELX-DG-28204-1			
TOLERANCES UNLESS OTHERWISE SPECIFIED		chr	Justin Chen	2017/11/29			rel level	Released			
surface	✓	appr	Heaven Cen	2017/11/30			product family	ExaMAX			
linear	0.X ±.3 0.XX ±.10 0.XXX ±.050	Amphenol FCi		title		ExaMAX VERTICAL HEADER		dwg no	10124414		
angular	0° ±2°	cat. no.		SEE TABLE		Product - Customer Drw		rev	B		



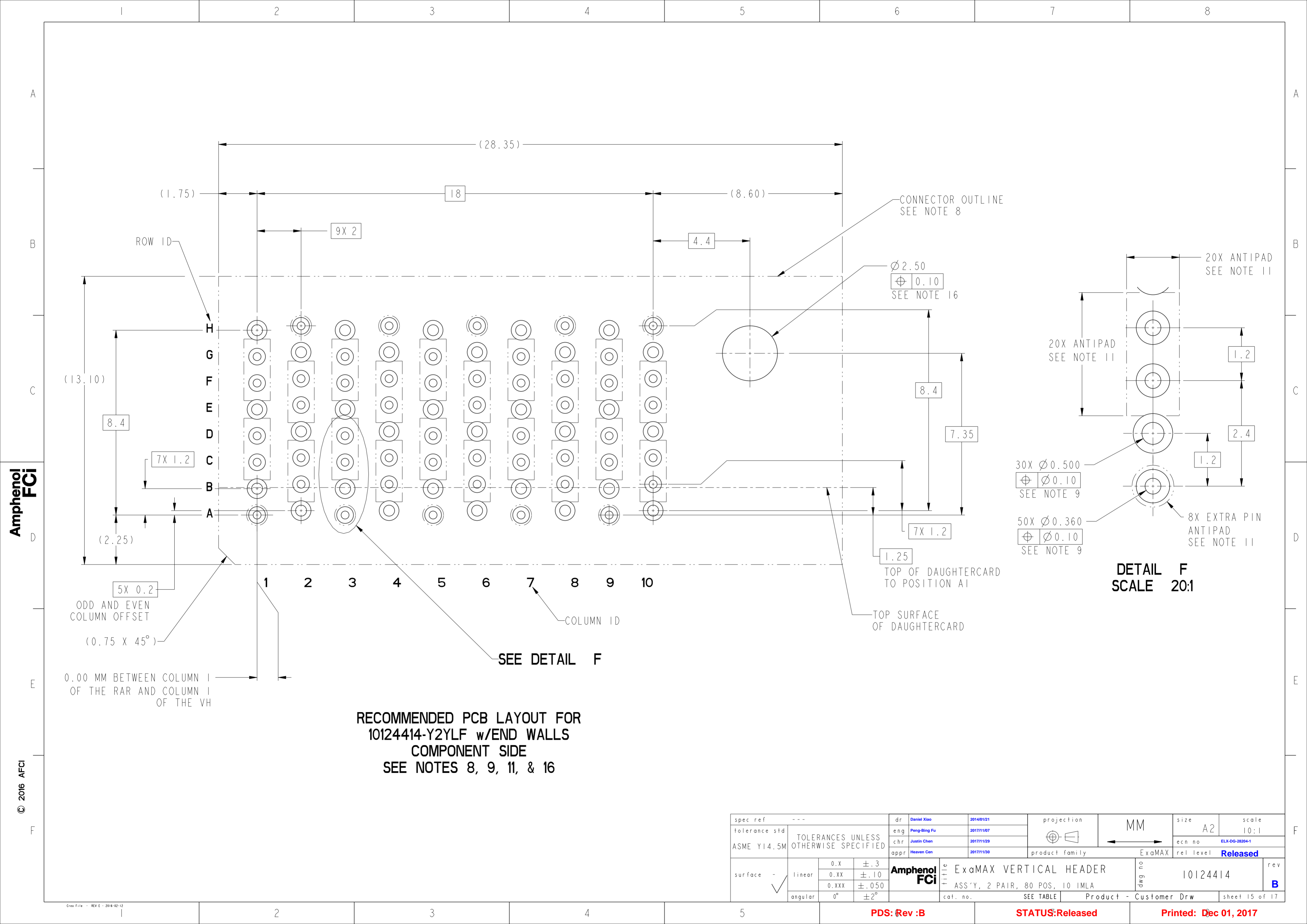
**RECOMMENDED PCB LAYOUT FOR
10124414-Y2YLF w/o END WALLS
COMPONENT SIDE
SEE NOTES 8, 9, 11, & 16**

spec ref	---	dr	Daniel Xiao	2014/01/21	projection	MM	size	A2	scale	10:1
tolerance std	ASME Y14.5M	eng	Peng-Bing Fu	2017/11/07			ecn no	ELX-DG-28204-1	rel level	Released
TOLERANCES UNLESS OTHERWISE SPECIFIED		chr	Justin Chen	2017/11/29						
		appr	Heaven Cen	2017/11/30						
surface	linear	0.X	±.3		product family		ExaMAX	dwg no 10124414	rev B	
		0.XX	±.10		title		ExaMAX VERTICAL HEADER			
		0.XXX	±.050		ASS'Y, 2 PAIR, 80 POS, 10 IMLA					
	angular	0°	±2°	cat. no.	SEE TABLE	Product - Customer Drw	sheet 13 of 17			



10124414-Y2LLF THRU -Y2WLF
LEFT GUIDANCE CONNECTOR w/END WALLS (SEE NOTE 17)
FOR ALL OTHER DIMENSIONS SEE SHEET 1

spec ref	---	dr	Daniel Xiao	2014/01/21	projection	MM	size	A2	scale	10:1	
tolerance std	ASME Y14.5M	eng	Peng-Bing Fu	2017/11/07			ecn no	ELX-DG-28204-1			
TOLERANCES UNLESS OTHERWISE SPECIFIED		chr	Justin Chen	2017/11/29			rel level	Released			
surface	✓	appr	Heaven Cen	2017/11/30			product family	ExaMAX		dwg no	10124414
	linear	0.X	±.3		title			ExaMAX VERTICAL HEADER			
		0.XX	±.10		ASS'Y, 2 PAIR, 80 POS, 10 IMLA			rev			B
	angular	0°	±2°		cat. no.			SEE TABLE		Product - Customer Drw	



Amphenol
FCi

**RECOMMENDED PCB LAYOUT FOR
10124414-Y2YLF w/END WALLS
COMPONENT SIDE
SEE NOTES 8, 9, 11, & 16**

spec ref	---	dr	Daniel Xiao	2014/01/21	projection	MM	size	A2	scale	10:1		
tolerance std	ASME Y14.5M	eng	Peng-Bing Fu	2017/11/07			ecn no	ELX-DG-28204-1				
TOLERANCES UNLESS OTHERWISE SPECIFIED		chr	Justin Chen	2017/11/29				product family	ExaMAX	rel level	Released	
surface	-	appr	Heaven Cen	2017/11/30							title	ExaMAX VERTICAL HEADER
	linear				cat. no.	SEE TABLE	Product - Customer Drw	sheet 15 of 17				
	angular	0°	±2°									

PDS: Rev :B

STATUS:Released

Printed: Dec 01, 2017

© 2016 AFci

10124414 - Y Y Y L F

ASSEMBLY PART NUMBER	DESCRIPTION
10124414-1YYLF	STANDARD MATE
10124414-2YYLF	ADVANCED MATE
10124414-3YYLF	SHORT DETECT
10124414-4YYLF	ADVANCED MATE & SHORT DETECT

MODULE DESCRIPTION	DESIGNATION REPRESENTED IN DASH NUMBER									BASE MODULE
WITHOUT END WALLS (SEE SHEET 1)	01									
WITH END WALLS (SEE SHEET 6)	02									
RIGHT GUIDANCE MODULE, WITHOUT END WALLS (SEE SHEET 8)	1A	1B	1C	1D	1E	1F	1G	1H	1J (NO KEY)	
RIGHT GUIDANCE MODULE, WITH END WALLS (SEE SHEET 10)	1L	1M	1N	1P	1R	1T	1U	1V	1W (NO KEY)	
LEFT GUIDANCE MODULE, WITHOUT END WALLS (SEE SHEET 12)	2A	2B	2C	2D	2E	2F	2G	2H	2J (NO KEY)	
LEFT GUIDANCE MODULE, WITH END WALLS (SEE SHEET 14)	2L	2M	2N	2P	2R	2T	2U	2V	2W (NO KEY)	

Amphenol FCI

© 2016 AFCI

spec ref	---	dr	Daniel Xiao	2014/01/21	projection	MM	size	A2	scale	5:1		
tolerance std	ASME Y14.5M	eng	Peng-Bing Fu	2017/11/07		←	ecn no	ELX-DG-28204-1				
TOLERANCES UNLESS OTHERWISE SPECIFIED		chr	Justin Chen	2017/11/29			rel level	Released				
		appr	Heaven Cen	2017/11/30			product family	ExaMAX		rel level	Released	
surface	✓	linear	0.X	±.3	Amphenol FCI		title	ExaMAX VERTICAL HEADER		10124414		
			0.XX	±.10			dwg no	ASS'Y, 2 PAIR, 80 POS, 10 IMLA			rev	B
			0.XXX	±.050			cat. no.	SEE TABLE	Product - Customer Drw		sheet 16 of 17	
		angular	0°	±2°			Product - Customer Drw					

PDS: Rev :B

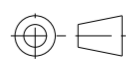
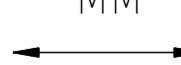

STATUS:Released

Printed: Dec 01, 2017

NOTES:

- ① - CONNECTOR MATERIALS:
HOUSING: HIGH TEMP THERMOPLASTIC, BLACK, UL94-V0
IMLA PLASTIC: HIGH TEMP THERMOPLASTIC, BLACK, UL94-V0
CONTACT: COPPER ALLOY
GUIDE PIN: ZINC ALLOY
POLARIZING PIN: ZINC ALLOY
- 2 - CONTACT PLATING:
SEPARABLE INTERFACE:
PERFORMANCE-BASED PLATING, QUALIFIED TO MEET THE REQUIREMENTS OF FCI PRODUCT SPECIFICATION GS-12-1096 INCLUDING TELCORDIA GR-1217-CORE (NOVEMBER 1995) CENTRAL OFFICE TEST SEQUENCE

PRESS-FIT TAILS: TIN OVER NICKEL (LEAD FREE)
- 3 - PRODUCT SPECIFICATION: GS-12-1096
- 4 - APPLICATION SPECIFICATION GS-20-0361.
- 5 - PACKAGING MEETS GS-14-920 LEAD FREE LABELING SPECIFICATION.
- ⑥ - PRODUCT MARKING, (PROTOTYPE, PART NUMBER & LOT CODE), ON THIS SURFACE.
- ⑦ - THE MINIMUM CENTERLINE SPACING BETWEEN ADJACENT MODULES IS 20.0 mm FOR 10124414-101LF AND 22.0 mm FOR 10124414-102LF.
- ⑧ - CONNECTOR OUTLINE MAY BE SCREEN PRINTED ONTO CUSTOMER PCB TO BE USED AS A GUIDE FOR MANUAL CONNECTOR PLACEMENT.
- ⑨ - REFER TO CUSTOMER DRAWING 10119933 FOR INFORMATION ON PCB HOLE DIAMETERS AND PLATING OPTIONS
- ⑩ - THIS PRODUCT MEETS THE EUROPEAN UNION DIRECTIVES & OTHER COUNTRY REGULATIONS AS DESCRIBED IN GS-47-0004.
- ⑪ - REFER TO ROUTING GUIDE GS-20-0511 FOR RECOMMENDATIONS ON OPTIMIZATION OF FOOTPRINT AND TRACE ROUTING LAYOUT.
- 12 - THE HOUSING WILL WITHSTAND EXPOSURE TO 260° C PEAK TEMPERATURE FOR 10-30 SECONDS IN A CONVECTION, INFRA-RED OR VAPOR PHASE REFLOW OVEN.
- ⑬ - THE ADVANCED MATE HEADER, 10124414-2XXLF, WHEN MATED WITH AN ADVANCED MATE RIGHT ANGLE RECEPTACLE, 10124413-2XXLF, WILL PROVIDE 2 PAIRS OF MATING CONTACTS THAT MATE 0.75MM BEFORE THE REMAINDER OF THE SIGNAL AND GROUND CONTACTS.
- ⑭ - THE SHORT DETECT HEADER, 10124414-3XXLF, WHEN MATED WITH A RIGHT ANGLE RECEPTACLE, 10124413-1XXLF, WILL PROVIDE 1 PAIR OF MATING CONTACTS THAT MATE 1.00 MM AFTER THE REMAINDER OF THE SIGNAL AND GROUND CONTACTS.
- ⑮ - THE ADVANCE MATE/SHORT DETECT HEADER, 10124414-4YYLF, WHEN MATED WITH AN ADVANCED MATE RECEPTACLE, 10124413-2YYLF, WILL PROVIDE 2 PAIRS OF MATING CONTACTS THAT MATE 0.75MM BEFORE THE REMAINDER OF THE SIGNAL AND GROUND CONTACTS AND 1 PAIR OF MATING CONTACTS THAT MATE 1.00MM AFTER THE REMAINDER OF THE SIGNAL AND GROUND CONTACTS.
- ⑯ - FOR CONNECTORS WITH EITHER A RIGHT OR LEFT GUIDE MODULE, A PHILLIPS PAN HEAD M2 X 0.4 HOLD-DOWN SCREW MUST BE USED TO SECURE THE CONNECTOR AND GUIDE PIN TO THE PCB. THE SCREW LENGTH SHALL BE 2.0-6.0 mm PLUS THE THICKNESS OF THE PCB. SCREW IS NOT PROVIDED WITH THE CONNECTOR.
- ⑰ - LEFT / RIGHT INTERGRATED GUIDE ORIENTATION IS DETERMINED BY THE LOCATION OF THE GUIDE FEATURES WHEN LOOKING AT THE MATING FACE OF THE RIGHT ANGLE RECEPTACLE. THE LEFT / RIGHT DESIGNATION OF THE MATING HEADER IS DEFINED BY THE RIGHT ANGLE RECEPTACLE THAT IT MATES WITH (i. e. A RIGHT GUIDE VERTICAL HEADER MATES WITH A RIGHT GUIDE RIGHT ANGLE RECEPTACLE).
- ⑱ - ALL GROUND CONTACTS ARE COMMONED WITHIN A COLUMN.

spec ref	---	dr	Daniel Xiao	2014/01/21	projection	MM	size	A2	scale	2:1												
tolerance std	ASME Y14.5M	eng	Peng-Bing Fu	2017/11/07			ecn no	ELX-DG-28204-1														
TOLERANCES UNLESS OTHERWISE SPECIFIED		chr	Justin Chen	2017/11/29			rel level	Released														
surface	<table border="1"> <tr> <td>linear</td> <td>0.X</td> <td>±.3</td> </tr> <tr> <td></td> <td>0.XX</td> <td>±.10</td> </tr> <tr> <td></td> <td>0.XXX</td> <td>±.050</td> </tr> <tr> <td>angular</td> <td>0°</td> <td>±2°</td> </tr> </table>	linear	0.X	±.3		0.XX	±.10		0.XXX	±.050	angular	0°	±2°	appr	Heaven Cen	2017/11/30	product family	ExaMAX	rel level	Released		
linear	0.X	±.3																				
	0.XX	±.10																				
	0.XXX	±.050																				
angular	0°	±2°																				
				title ExaMAX VERTICAL HEADER ASS'Y, 2 PAIR, 80 POS, 10 IMLA		dwg no 10124414	rev B															
		cat. no.	SEE TABLE	Product - Customer Drw	sheet 17 of 17																	



Компания «ЭлектроПласт» предлагает заключение долгосрочных отношений при поставках импортных электронных компонентов на взаимовыгодных условиях!

Наши преимущества:

- Оперативные поставки широкого спектра электронных компонентов отечественного и импортного производства напрямую от производителей и с крупнейших мировых складов;
- Поставка более 17-ти миллионов наименований электронных компонентов;
- Поставка сложных, дефицитных, либо снятых с производства позиций;
- Оперативные сроки поставки под заказ (от 5 рабочих дней);
- Экспресс доставка в любую точку России;
- Техническая поддержка проекта, помощь в подборе аналогов, поставка прототипов;
- Система менеджмента качества сертифицирована по Международному стандарту ISO 9001;
- Лицензия ФСБ на осуществление работ с использованием сведений, составляющих государственную тайну;
- Поставка специализированных компонентов (Xilinx, Altera, Analog Devices, Intersil, Interpoint, Microsemi, Aeroflex, Peregrine, Syfer, Eurofarad, Texas Instrument, Miteq, Cobham, E2V, MA-COM, Hittite, Mini-Circuits, General Dynamics и др.);

Помимо этого, одним из направлений компании «ЭлектроПласт» является направление «Источники питания». Мы предлагаем Вам помощь Конструкторского отдела:

- Подбор оптимального решения, техническое обоснование при выборе компонента;
- Подбор аналогов;
- Консультации по применению компонента;
- Поставка образцов и прототипов;
- Техническая поддержка проекта;
- Защита от снятия компонента с производства.



Как с нами связаться

Телефон: 8 (812) 309 58 32 (многоканальный)

Факс: 8 (812) 320-02-42

Электронная почта: org@eplast1.ru

Адрес: 198099, г. Санкт-Петербург, ул. Калинина, дом 2, корпус 4, литера А.