

### FEATURES

- Maximum Offset Voltage of 3 $\mu$ V
- Maximum Offset Voltage Drift of 30nV/ $^{\circ}$ C
- Small Footprint, Low Profile MS8/GN16 Packages
- Single Supply Operation: 2.7V to  $\pm$ 5.5V
- Noise: 1.5 $\mu$ V<sub>P-P</sub> (0.01Hz to 10Hz Typ)
- Voltage Gain: 140dB (Typ)
- PSRR: 130dB (Typ)
- CMRR: 130dB (Typ)
- Supply Current: 0.75mA (Typ) per Amplifier
- Extended Common Mode Input Range
- Output Swings Rail-to-Rail
- Operating Temperature Range –40 $^{\circ}$ C to 125 $^{\circ}$ C
- Available in 3mm  $\times$  3mm  $\times$  0.8mm DFN Package

### APPLICATIONS

- Thermocouple Amplifiers
- Electronic Scales
- Medical Instrumentation
- Strain Gauge Amplifiers
- High Resolution Data Acquisition
- DC Accurate RC Active Filters
- Low Side Current Sense

### DESCRIPTION

The LTC<sup>®</sup>2051/LTC2052 are dual/quad zero-drift operational amplifiers available in the MS8 and SO-8/GN16 and S14 packages. For space limited applications, the LTC2051 is available in a 3mm  $\times$  3mm  $\times$  0.8mm dual fine pitch leadless package (DFN). They operate from a single 2.7V supply and support  $\pm$ 5V applications. The current consumption is 750 $\mu$ A per op amp.

The LTC2051/LTC2052, despite their miniature size, feature uncompromising DC performance. The typical input offset voltage and offset drift are 0.5 $\mu$ V and 10nV/ $^{\circ}$ C. The almost zero DC offset and drift are supported with a power supply rejection ratio (PSRR) and common mode rejection ratio (CMRR) of more than 130dB.

The input common mode voltage ranges from the negative supply up to typically 1V from the positive supply. The LTC2051/LTC2052 also have an enhanced output stage capable of driving loads as low as 2k $\Omega$  to both supply rails. The open-loop gain is typically 140dB. The LTC2051/LTC2052 also feature a 1.5 $\mu$ V<sub>P-P</sub> DC to 10Hz noise and a 3MHz gain-bandwidth product.

LT, LTC and LTM are registered trademarks of Linear Technology Corporation. All other trademarks are the property of their respective owners.

### TYPICAL APPLICATION

High Performance Low Cost Instrumentation Amplifier



Input Referred Noise 0.1Hz to 10Hz



# LTC2051/LTC2052

## ABSOLUTE MAXIMUM RATINGS (Note 1)

|   |  |                |
|---|--|----------------|
| Total Supply Voltage ( $V^+$ to $V^-$ ) | Operating Temperature Range .....          | -40°C to 125°C |
| LTC2051/LTC2052 .....                   | Specified Temperature Range (Note 3)       | -40°C to 125°C |
| LTC2051HV/LTC2052HV .....               | Storage Temperature Range .....            | -65°C to 150°C |
| Input Voltage (Note 5) .....            | DD Package .....                           | -65°C to 125°C |
| Output Short-Circuit Duration .....     | Lead Temperature (Soldering, 10 sec) ..... | 300°C          |

## PACKAGE/ORDER INFORMATION

|  <p>DD PACKAGE<br/>8-LEAD (3mm × 3mm) PLASTIC DFN<br/><math>T_{JMAX} = 125^{\circ}C, \theta_{JA} = 160^{\circ}C/W</math><br/>EXPOSED PAD (PIN 9) IS CONNECTED TO <math>V^-</math> (PIN 4)</p> |                  |  <p>MS8 PACKAGE<br/>8-LEAD PLASTIC MSOP<br/><math>T_{JMAX} = 125^{\circ}C, \theta_{JA} = 250^{\circ}C/W</math></p> |  |  <p>MS10 PACKAGE<br/>10-LEAD PLASTIC MSOP<br/><math>T_{JMAX} = 125^{\circ}C, \theta_{JA} = 250^{\circ}C/W</math></p> |                              |
|--|------------------|---|--|---|------------------------------|
| ORDER PART NUMBER*   | DD PART MARKING  | ORDER PART NUMBER   | MS8 PART MARKING   | ORDER PART NUMBER   | MS10 PART MARKING            |
| LTC2051CDD<br>LTC2051IDD<br>LTC2051HVCDD<br>LTC2051HVIDD   | LAAN<br><br>LAEL | LTC2051CMS8<br>LTC2051IMS8<br>LTC2051HVCMS8<br>LTC2051HVIMS8<br>LTC2051HMS8<br>LTC2051HVHMS8  | LTMN<br>LTMP<br>LTPJ<br>LTPK<br>LTVF<br>LTVH   | LTC2051CMS10<br>LTC2051IMS10<br>LTC2051HVCMS10<br>LTC2051HVIMS10  | LTMQ<br>LTMR<br>LTRB<br>LTRC |
|  <p>S8 PACKAGE<br/>8-LEAD PLASTIC SO<br/><math>T_{JMAX} = 125^{\circ}C, \theta_{JA} = 190^{\circ}C/W</math></p>   |                  |   | ORDER PART NUMBER  | S8 PART MARKING   |                              |
|  |                  |   | LTC2051CS8<br>LTC2051IS8<br>LTC2051HVCS8<br>LTC2051HVIS8<br>LTC2051HS8<br>LTC2051HVHS8 | 2051<br>2051I<br>2051HV<br>051HVI<br>2051H<br>051HVH  |                              |
| <b>Order Options</b> Tape and Reel: Add #TR<br>Lead Free: Add #PBF Lead Free Tape and Reel: Add #TRPBF<br>Lead Free Part Marking: <a href="http://www.linear.com/leadfree/">http://www.linear.com/leadfree/</a>  |                  |   |  |   |                              |

Consult LTC Marketing for parts specified with wider operating temperature ranges.

## PACKAGE/ORDER INFORMATION

|  <p>GN PACKAGE<br/>16-LEAD PLASTIC SSOP<br/><math>T_{JMAX} = 125^{\circ}\text{C}</math>, <math>\theta_{JA} = 110^{\circ}\text{C/W}</math></p> | <p>ORDER PART NUMBER</p> <p>LTC2052CGN<br/>LTC2052IGN<br/>LTC2052HVCGN<br/>LTC2052HVIGN<br/>LTC2052HGN<br/>LTC2052HVHGN</p> <p>GN PART MARKING</p> <p>2052<br/>2052I<br/>2052HV<br/>052HVI<br/>2052H<br/>052HVH</p> |  <p>S PACKAGE<br/>14-LEAD PLASTIC SO<br/><math>T_{JMAX} = 125^{\circ}\text{C}</math>, <math>\theta_{JA} = 110^{\circ}\text{C/W}</math></p> | <p>ORDER PART NUMBER</p> <p>LTC2052CS<br/>LTC2052IS<br/>LTC2052HVCS<br/>LTC2052HVIS<br/>LTC2052HS<br/>LTC2052HVHS</p> |
|--|---|--|---|
|  |   |  |   |

## AVAILABLE OPTIONS

| PART NUMBER    | AMPS/PACKAGE | SPECIFIED TEMP RANGE | SPECIFIED VOLTAGE | PACKAGE      |
|----------------|--------------|----------------------|-------------------|--------------|
| LTC2051CDD     | 2            | 0°C to 70°C          | 3V, 5V            | DD           |
| LTC2051CS8     | 2            | 0°C to 70°C          | 3V, 5V            | SO-8         |
| LTC2051CMS8    | 2            | 0°C to 70°C          | 3V, 5V            | 8-Lead MSOP  |
| LTC2051CMS10   | 2            | 0°C to 70°C          | 3V, 5V            | 10-Lead MSOP |
| LTC2051HVCDD   | 2            | 0°C to 70°C          | 3V, 5V, ±5V       | DD           |
| LTC2051HVCS8   | 2            | 0°C to 70°C          | 3V, 5V, ±5V       | SO-8         |
| LTC2051HVCMS8  | 2            | 0°C to 70°C          | 3V, 5V, ±5V       | 8-Lead MSOP  |
| LTC2051HVCMS10 | 2            | 0°C to 70°C          | 3V, 5V, ±5V       | 10-Lead MSOP |
| LTC2051IDD     | 2            | -40°C to 85°C        | 3V, 5V            | DD           |
| LTC2051IS8     | 2            | -40°C to 85°C        | 3V, 5V            | SO-8         |
| LTC2051IMS8    | 2            | -40°C to 85°C        | 3V, 5V            | 8-Lead MSOP  |
| LTC2051IMS10   | 2            | -40°C to 85°C        | 3V, 5V            | 10-Lead MSOP |
| LTC2051HVIDD   | 2            | -40°C to 85°C        | 3V, 5V, ±5V       | DD           |
| LTC2051HVIS8   | 2            | -40°C to 85°C        | 3V, 5V, ±5V       | SO-8         |
| LTC2051HVIMS8  | 2            | -40°C to 85°C        | 3V, 5V, ±5V       | 8-Lead MSOP  |
| LTC2051HVIMS10 | 2            | -40°C to 85°C        | 3V, 5V, ±5V       | 10-Lead MSOP |
| LTC2051HS8     | 2            | -40°C to 125°C       | 3V, 5V            | SO-8         |
| LTC2051HMS8    | 2            | -40°C to 125°C       | 3V, 5V            | 8-Lead MSOP  |
| LTC2051HVHS8   | 2            | -40°C to 125°C       | 3V, 5V, ±5V       | SO-8         |
| LTC2051HVHMS8  | 2            | -40°C to 125°C       | 3V, 5V, ±5V       | 8-Lead MSOP  |
| LTC2052CS      | 4            | 0°C to 70°C          | 3V, 5V            | 14-Lead SO   |
| LTC2052CGN     | 4            | 0°C to 70°C          | 3V, 5V            | 16-Lead SSOP |
| LTC2052HVCS    | 4            | 0°C to 70°C          | 3V, 5V, ±5V       | 14-Lead SO   |
| LTC2052HVCGN   | 4            | 0°C to 70°C          | 3V, 5V, ±5V       | 16-Lead SSOP |

## AVAILABLE OPTIONS

| PART NUMBER  | AMPS/PACKAGE | SPECIFIED TEMP RANGE | SPECIFIED VOLTAGE | PACKAGE      |
|--------------|--------------|----------------------|-------------------|--------------|
| LTC2052IS    | 4            | -40°C to 85°C        | 3V, 5V            | 14-Lead SO   |
| LTC2052IGN   | 4            | -40°C to 85°C        | 3V, 5V            | 16-Lead SSOP |
| LTC2052HVIS  | 4            | -40°C to 85°C        | 3V, 5V, ±5V       | 14-Lead SO   |
| LTC2052HVIGN | 4            | -40°C to 85°C        | 3V, 5V, ±5V       | 16-Lead SSOP |
| LTC2052HS    | 4            | -40°C to 125°C       | 3V, 5V            | 14-Lead SO   |
| LTC2052HGN   | 4            | -40°C to 125°C       | 3V, 5V            | 16-Lead SSOP |
| LTC2052HVHS  | 4            | -40°C to 125°C       | 3V, 5V, ±5V       | 14-Lead SO   |
| LTC2052HVHGN | 4            | -40°C to 125°C       | 3V, 5V, ±5V       | 16-Lead SSOP |

## ELECTRICAL CHARACTERISTICS

(LTC2051/LTC2052, LTC2051HV/LTC2052HV) The ● denotes the specifications which apply over the full operating temperature range, otherwise specifications are at  $T_A = 25^\circ\text{C}$ .  $V_S = 3\text{V}, 5\text{V}$  unless otherwise noted. (Note 3)

| PARAMETER                      | CONDITIONS   | LTC2051C/LTC2052C<br>LTC2051I/LTC2052I |              |              | LTC2051H/LTC2052H |              |     | UNITS             |
|--------------------------------|--|--|--------------|--------------|-------------------|--------------|-----|-------------------|
|                                |  | MIN                                    | TYP          | MAX          | MIN               | TYP          | MAX |                   |
| Input Offset Voltage           | (Note 2)   |  | ±0.5         | ±3           | ±0.5              | ±3           |     | μV                |
| Average Input Offset Drift     | (Note 2)   | ●                                      | 0.01         | ±0.03        | 0.01              | ±0.05        |     | μV/°C             |
| Long-Term Offset Drift         |  |  | 50           |              | 50                |              |     | nV/√mo            |
| Input Bias Current (Note 4)    | $V_S = 3\text{V}$  | ●                                      | ±8           | ±50          | ±8                | ±50          |     | pA                |
|                                | $V_S = 3\text{V}$  | ●                                      |              | ±100         |                   | ±3000        |     | pA                |
| Input Offset Current (Note 4)  | $V_S = 5\text{V}$  | ●                                      | ±25          | ±75          | ±25               | ±75          |     | pA                |
|                                | $V_S = 5\text{V}$  | ●                                      |              | ±150         |                   | ±3000        |     | pA                |
| Input Offset Current (Note 4)  | $V_S = 3\text{V}$  | ●                                      |              | ±100         |                   | ±100         |     | pA                |
|                                | $V_S = 3\text{V}$  | ●                                      |              | ±150         |                   | ±700         |     | pA                |
| Input Offset Current (Note 4)  | $V_S = 5\text{V}$  | ●                                      |              | ±150         |                   | ±150         |     | pA                |
|                                | $V_S = 5\text{V}$  | ●                                      |              | ±200         |                   | ±700         |     | pA                |
| Input Noise Voltage            | $R_S = 100\Omega$ , DC to 10Hz                             |  | 1.5          |              | 1.5               |              |     | μV <sub>p-p</sub> |
| Common Mode Rejection Ratio    | $V_{CM} = \text{GND to } V^+ - 1.3$ ,<br>$V_S = 3\text{V}$ | ●                                      | 115          | 130          | 115               | 130          |     | dB                |
|                                | $V_{CM} = \text{GND to } V^+ - 1.3$ ,<br>$V_S = 3\text{V}$ | ●                                      | 110          | 130          | 110               | 130          |     | dB                |
| Common Mode Rejection Ratio    | $V_{CM} = \text{GND to } V^+ - 1.3$ ,<br>$V_S = 5\text{V}$ | ●                                      | 120          | 130          | 120               | 130          |     | dB                |
|                                | $V_{CM} = \text{GND to } V^+ - 1.3$ ,<br>$V_S = 5\text{V}$ | ●                                      | 115          | 130          | 115               | 130          |     | dB                |
| Power Supply Rejection Ratio   |  | ●                                      | 120          | 130          | 120               | 130          |     | dB                |
|                                |  | ●                                      | 115          | 130          | 115               | 130          |     | dB                |
| Large-Signal Voltage Gain      | $R_L = 10\text{k}$ , $V_S = 3\text{V}$                     | ●                                      | 120          | 140          | 120               | 140          |     | dB                |
|                                | $R_L = 10\text{k}$ , $V_S = 3\text{V}$                     | ●                                      | 115          | 140          | 115               | 140          |     | dB                |
| Large-Signal Voltage Gain      | $R_L = 10\text{k}$ , $V_S = 5\text{V}$                     | ●                                      | 125          | 140          | 125               | 140          |     | dB                |
|                                | $R_L = 10\text{k}$ , $V_S = 5\text{V}$                     | ●                                      | 120          | 140          | 120               | 140          |     | dB                |
| Output Voltage Swing High      | $R_L = 2\text{k to GND}$                                   | ●                                      | $V^+ - 0.15$ | $V^+ - 0.06$ | $V^+ - 0.15$      | $V^+ - 0.06$ |     | V                 |
|                                | $R_L = 10\text{k to GND}$                                  | ●                                      | $V^+ - 0.05$ | $V^+ - 0.02$ | $V^+ - 0.05$      | $V^+ - 0.02$ |     | V                 |
| Output Voltage Swing Low       | $R_L = 2\text{k to GND}$                                   | ●                                      | 2            | 15           | 2                 | 15           |     | mV                |
|                                | $R_L = 10\text{k to GND}$                                  | ●                                      | 2            | 15           | 2                 | 15           |     | mV                |
| Slew Rate                      |  |  | 2            |              | 2                 |              |     | V/μs              |
| Gain Bandwidth Product         |  |  | 3            |              | 3                 |              |     | MHz               |
| Supply Current (Per Amplifier) | No Load, $V_S = 3\text{V}$ , $V_{SHDN} = V_{IH}$           | ●                                      | 0.75         | 1.0          | 0.75              | 1.1          |     | mA                |
|                                | No Load, $V_S = 5\text{V}$ , $V_{SHDN} = V_{IH}$           | ●                                      | 0.85         | 1.2          | 0.85              | 1.3          |     | mA                |
| Supply Current, Shutdown       | $V_{SHDN} = V_{IL}$ , $V_S = 3\text{V}$                    | ●                                      | 2            | 5            | 2                 | 5            |     | μA                |
|                                | $V_{SHDN} = V_{IL}$ , $V_S = 5\text{V}$                    | ●                                      | 4            | 10           | 4                 | 10           |     | μA                |

## ELECTRICAL CHARACTERISTICS

(LTC2051/LTC2052, LTC2051HV/LTC2052HV) The ● denotes the specifications which apply over the full operating temperature range, otherwise specifications are at  $T_A = 25^\circ\text{C}$ .  $V_S = 3\text{V}$ ,  $5\text{V}$  unless otherwise noted. (Note 3)

| PARAMETER                                    | CONDITIONS   | LTC2051C/LTC2052C<br>LTC2051I/LTC2052I |             |             | LTC2051H/LTC2052H |     |             | UNITS         |
|--|--|--|-------------|-------------|-------------------|-----|-------------|---------------|
|  |  | MIN                                    | TYP         | MAX         | MIN               | TYP | MAX         |               |
| Shutdown Pin Input Low Voltage ( $V_{IL}$ )  |  | ●                                      |             | $V^- + 0.5$ |                   |     | $V^- + 0.5$ | V             |
| Shutdown Pin Input High Voltage ( $V_{IH}$ ) |  | ●                                      | $V^+ - 0.5$ |             |                   |     | $V^+ - 0.5$ | V             |
| Shutdown Pin Input Current                   | $V_{SHDN} = V_{IL}$ , $V_S = 3\text{V}$<br>$V_{SHDN} = V_{IL}$ , $V_S = 5\text{V}$ | ●                                      | -1          | -3          |                   | -1  | -3          | $\mu\text{A}$ |
|  |  | ●                                      | -2          | -5          |                   | -2  | -5          | $\mu\text{A}$ |
| Internal Sampling Frequency                  |  |  | 7.5         |             |                   | 7.5 |             | kHz           |

(LTC2051HV/LTC2052HV) The ● denotes the specifications which apply over the full operating temperature range, otherwise specifications are at  $T_A = 25^\circ\text{C}$ .  $V_S = \pm 5\text{V}$  unless otherwise noted. (Note 3)

| PARAMETER                                    | CONDITIONS  | LTC2051C/LTC2052C<br>LTC2051I/LTC2052I |             |                        | LTC2051H/LTC2052H |             |                         | UNITS                        |
|--|---|--|-------------|------------------------|-------------------|-------------|-------------------------|------------------------------|
|  |   | MIN                                    | TYP         | MAX                    | MIN               | TYP         | MAX                     |                              |
| Input Offset Voltage                         | (Note 2)  |  | $\pm 1$     | $\pm 3$                |                   | $\pm 1$     | $\pm 3$                 | $\mu\text{V}$                |
| Average Input Offset Drift                   | (Note 2)  | ●                                      | 0.01        | $\pm 0.03$             |                   | 0.01        | $\pm 0.05$              | $\mu\text{V}/^\circ\text{C}$ |
| Long-Term Offset Drift                       |   |  | 50          |                        |                   | 50          |                         | $\text{nV}/\sqrt{\text{mo}}$ |
| Input Bias Current (Note 4)                  |   | ●                                      | $\pm 90$    | $\pm 150$<br>$\pm 300$ |                   | $\pm 90$    | $\pm 150$<br>$\pm 3000$ | $\text{pA}$<br>$\text{pA}$   |
| Input Offset Current (Note 4)                |   | ●                                      |             | $\pm 300$<br>$\pm 500$ |                   |             | $\pm 300$<br>$\pm 700$  | $\text{pA}$<br>$\text{pA}$   |
| Input Noise Voltage                          | $R_S = 100\Omega$ , DC to 10Hz                        |  | 1.5         |                        |                   | 1.5         |                         | $\mu\text{V}_{\text{p-p}}$   |
| Common Mode Rejection Ratio                  | $V_{\text{CM}} = V^-$ to $V^+ - 1.3$                  | ●                                      | 125         | 130                    |                   | 125         | 130                     | dB                           |
|  |   |  | 120         | 130                    |                   | 120         | 130                     | dB                           |
| Power Supply Rejection Ratio                 |   | ●                                      | 120         | 130                    |                   | 120         | 130                     | dB                           |
|  |   |  | 115         | 130                    |                   | 115         | 130                     | dB                           |
| Large-Signal Voltage Gain                    | $R_L = 10\text{k}$                                    | ●                                      | 125         | 140                    |                   | 125         | 140                     | dB                           |
|  |   |  | 120         | 140                    |                   | 120         | 140                     | dB                           |
| Maximum Output Voltage Swing                 | $R_L = 2\text{k}$ to GND<br>$R_L = 10\text{k}$ to GND | ●                                      | $\pm 4.75$  | $\pm 4.92$             |                   | $\pm 4.50$  | $\pm 4.92$              | V                            |
|  |   | ●                                      | $\pm 4.90$  | $\pm 4.98$             |                   | $\pm 4.85$  | $\pm 4.98$              | V                            |
| Slew Rate                                    |   |  | 2           |                        |                   | 2           |                         | $\text{V}/\mu\text{s}$       |
| Gain Bandwidth Product                       |   |  | 3           |                        |                   | 3           |                         | MHz                          |
| Supply Current (Per Amplifier)               | No Load, $V_{\text{SHDN}} = V_{\text{IH}}$            | ●                                      | 1           | 1.5                    |                   | 1           | 1.5                     | mA                           |
| Supply Current, Shutdown                     | $V_{\text{SHDN}} = V_{\text{IL}}$                     | ●                                      | 15          | 30                     |                   | 15          | 30                      | $\mu\text{A}$                |
| Shutdown Pin Input Low Voltage ( $V_{IL}$ )  |   | ●                                      |             | $V^- + 0.5$            |                   |             | $V^- + 0.5$             | V                            |
| Shutdown Pin Input High Voltage ( $V_{IH}$ ) |   | ●                                      | $V^+ - 0.5$ |                        |                   | $V^+ - 0.5$ |                         | V                            |
| Shutdown Pin Input Current                   | $V_{\text{SHDN}} = V_{\text{IL}}$                     | ●                                      | -7          | -15                    |                   | -7          | -15                     | $\mu\text{A}$                |
| Internal Sampling Frequency                  |   |  | 7.5         |                        |                   | 7.5         |                         | kHz                          |

**Note 1:** Stresses beyond those listed under Absolute Maximum Ratings may cause permanent damage to the device. Exposure to any Absolute Maximum Rating condition for extended periods may affect device reliability and lifetime.

**Note 2:** These parameters are guaranteed by design. Thermocouple effects preclude measurements of these voltage levels during automated testing.

**Note 3:** All versions of the LTC2051/LTC2052 are designed, characterized and expected to meet the extended temperature limits of  $-40^\circ\text{C}$  and  $125^\circ\text{C}$ . The LTC2051C/LTC2052C/LTC2051HVC/LTC2052HVC are guaranteed to meet the temperature limits of  $0^\circ\text{C}$  and  $70^\circ\text{C}$ . The LTC2051I/LTC2052I/LTC2051HVI/LTC2052HVI are guaranteed to meet temperature limits of  $-40^\circ\text{C}$  and  $85^\circ\text{C}$ . The LTC2051H/LTC2051HVH and LTC2052H/LTC2052HVH

are guaranteed to meet the temperature limits of  $-40^\circ\text{C}$  and  $125^\circ\text{C}$ .

**Note 4:** The bias current measurement accuracy depends on the proximity of the negative supply bypass capacitors to the device under test. Because of this, only the bias current of channel B (LTC2051) and channels A and B (LTC2052) are 100% tested to the data sheet specifications. The bias currents of the remaining channels are 100% tested to relaxed limits, however, their values are guaranteed by design to meet the data sheet limits.

**Note 5:** This parameter is guaranteed to meet specified performance through design and characterization. It has not been tested.

**Note 6:** The  $\theta_{\text{JA}}$  specified for the DD package is with minimal PCB heat spreading metal. Using expanded metal area on all layers of a board reduces this value.

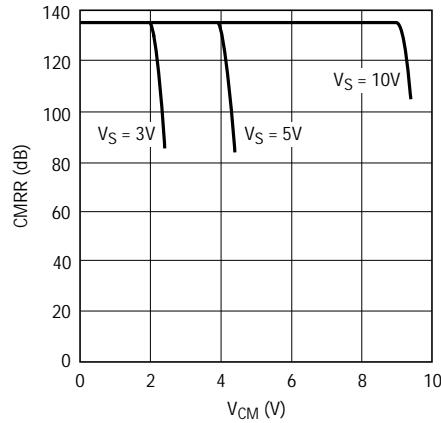
## TYPICAL PERFORMANCE CHARACTERISTICS

**Common Mode Rejection Ratio vs Frequency**



20512 G01

**DC CMRR vs Common Mode Input Range**



20512 G02

**PSRR vs Frequency**



20512 G03

**Output Voltage Swing vs Load Resistance**



20512 G04

**Output Swing vs Output Current**



20512 G05

**Output Swing vs Load Resistance ±5V**



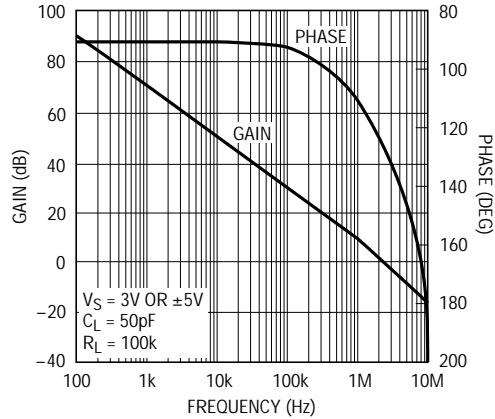
20512 G06

**Output Swing vs Output Current, ±5V Supply**



20512 G07

**Gain/Phase vs Frequency**



20512 G08

**Bias Current vs Temperature**



20512 G09

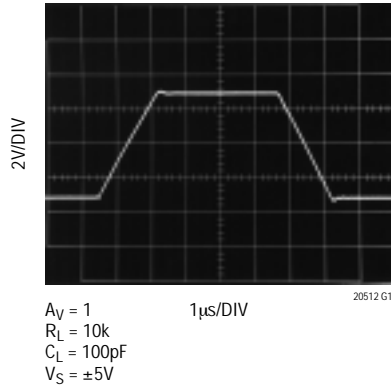
20512fd

# TYPICAL PERFORMANCE CHARACTERISTICS

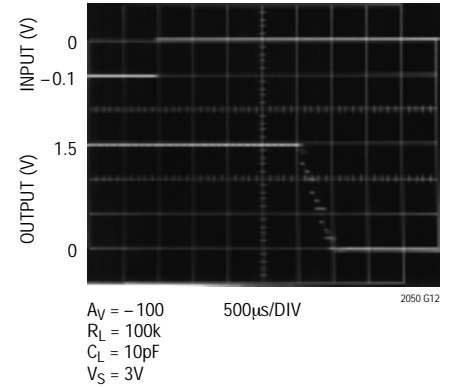
**Input Bias Current vs Input Common Mode Voltage**



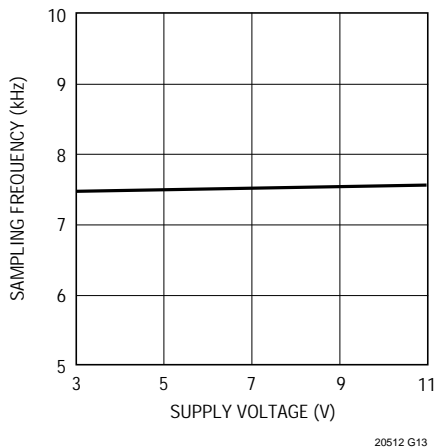
**Transient Response**



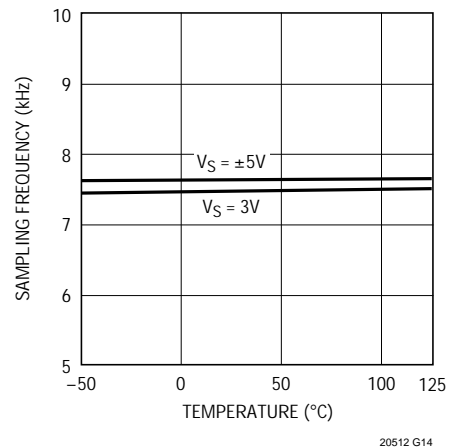
**Input Overload Recovery**



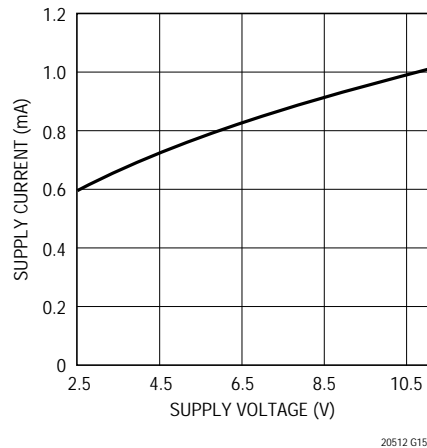
**Sampling Frequency vs Supply Voltage**



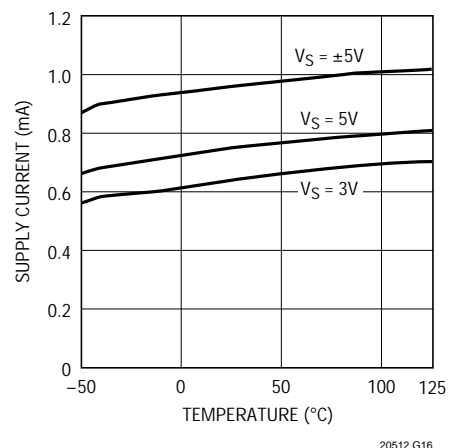
**Sampling Frequency vs Temperature**



**Supply Current (Per Amplifier) vs Supply Voltage**



**Supply Current (Per Amplifier) vs Temperature**



## APPLICATIONS INFORMATION

### Shutdown

The LTC2051 includes a shutdown pin in the 10-lead MSOP. When this active low pin is high or allowed to float, the device operates normally. When the shutdown pin is pulled low, the device enters shutdown mode; supply current drops to 3 $\mu$ A, all clocking stops and the output assumes a high impedance state.

### Clock Feedthrough, Input Bias Current

The LTC2051/LTC2052 use autozeroing circuitry to achieve an almost zero DC offset over temperature, common mode voltage and power supply voltage. The frequency of the clock used for autozeroing is typically 7.5kHz. The term clock feedthrough is broadly used to indicate visibility of this clock frequency in the op amp output spectrum. There are typically two types of clock feedthrough in autozeroed op amps like the LTC2051/LTC2052.

The first form of clock feedthrough is caused by the settling of the internal sampling capacitor and is input referred; that is, it is multiplied by the closed-loop gain of the op amp. This form of clock feedthrough is independent of the magnitude of the input source resistance or the magnitude of the gain setting resistors. The LTC2051/LTC2052 have a residue clock feedthrough of less than 1 $\mu$ V<sub>RMS</sub> input referred at 7.5kHz.

The second form of clock feedthrough is caused by the small amount of charge injection occurring during the sampling and holding of the op amps input offset voltage. The current spikes are multiplied by the impedance seen at the input terminals of the op amp, appearing at the output multiplied by the closed-loop gain of the op amp.

To reduce this form of clock feedthrough, use smaller valued gain setting resistors and minimize the source resistance at the input. If the resistance seen at the inputs is less than 10k, this form of clock feedthrough is less than 1 $\mu$ V<sub>RMS</sub> input referred at 7.5kHz, or less than the amount of residue clock feedthrough from the first form previously described.

Placing a capacitor across the feedback resistor reduces either form of clock feedthrough by limiting the bandwidth of the closed-loop gain.

Input bias current is defined as the DC current into the input pins of the op amp. The same current spikes that cause the second form of clock feedthrough previously described, when averaged, dominate the DC input bias current of the op amp below 70°C.

At temperatures above 70°C, the leakage of the ESD protection diodes on the inputs increase the input bias currents of both inputs in the positive direction, while the current caused by the charge injection stays relatively constant. At elevated temperatures (above 85°C) the leakage current begins to dominate and both the negative and positive pin's input bias currents are in the positive direction (into the pins).

### Input Pins, ESD Sensitivity

ESD voltages above 700V on the input pins of the op amp will cause the input bias currents to increase (more DC current into the pins). At these voltages, it is possible to damage the device to a point where the input bias current exceeds the maximums specified in this data sheet.

---

## TYPICAL APPLICATION

The dual chopper op amp buffers the inputs of A1 and corrects its offset voltage and offset voltage drift. With the RC values shown, the power-up warm-up time is typically 20 seconds. The step response of the composite amplifier does not present settling tails. The LT<sup>®</sup>1677 should be used when extremely low noise,  $V_{OS}$  and  $V_{OS}$  drift are

needed and the input source resistance is low. (For instance a 350 $\Omega$  strain gauge bridge.) The LT1012 or equivalent should be used when low bias current (100pA) is also required in conjunction with DC to 10Hz low noise, low  $V_{OS}$  and  $V_{OS}$  drift. The measured typical input offset voltages are less than 1 $\mu$ V.



# TYPICAL APPLICATION

## Obtaining Ultralow $V_{OS}$ Drift and Low Noise



| A1     | R1           | R2          | R3   | R4  | R5   | C1           | C2            | $\bar{e}_{IN}$ (DC - 1Hz)   | $\bar{e}_{IN}$ (DC - 10Hz) |
|--------|--------------|-------------|------|-----|------|--------------|---------------|-----------------------------|----------------------------|
| LT1677 | 2.49k        | 3.01k       | 340k | 10k | 100k | 0.01 $\mu$ F | 0.001 $\mu$ F | 0.15 $\mu$ V <sub>P-P</sub> | 0.2 $\mu$ V <sub>P-P</sub> |
| LT1012 | 750 $\Omega$ | 57 $\Omega$ | 250k | 10k | 100k | 0.01 $\mu$ F | 0.001 $\mu$ F | 0.3 $\mu$ V <sub>P-P</sub>  | 0.4 $\mu$ V <sub>P-P</sub> |

# PACKAGE DESCRIPTION

## DD Package 8-Lead Plastic DFN (3mm x 3mm) (Reference LTC DWG # 05-08-1698)

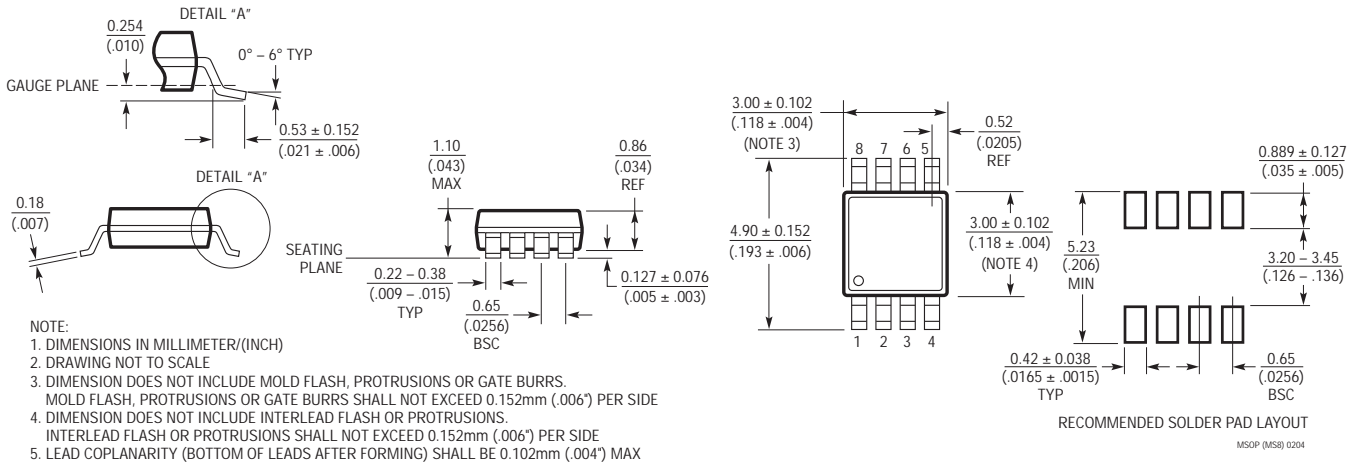


- NOTE:
- DRAWING TO BE MADE A JEDEC PACKAGE OUTLINE MO-229 VARIATION OF (WEED-1)
  - DRAWING NOT TO SCALE
  - ALL DIMENSIONS ARE IN MILLIMETERS
  - DIMENSIONS OF EXPOSED PAD ON BOTTOM OF PACKAGE DO NOT INCLUDE MOLD FLASH. MOLD FLASH, IF PRESENT, SHALL NOT EXCEED 0.15mm ON ANY SIDE
  - EXPOSED PAD SHALL BE SOLDER PLATED
  - SHADED AREA IS ONLY A REFERENCE FOR PIN 1 LOCATION ON TOP AND BOTTOM OF PACKAGE

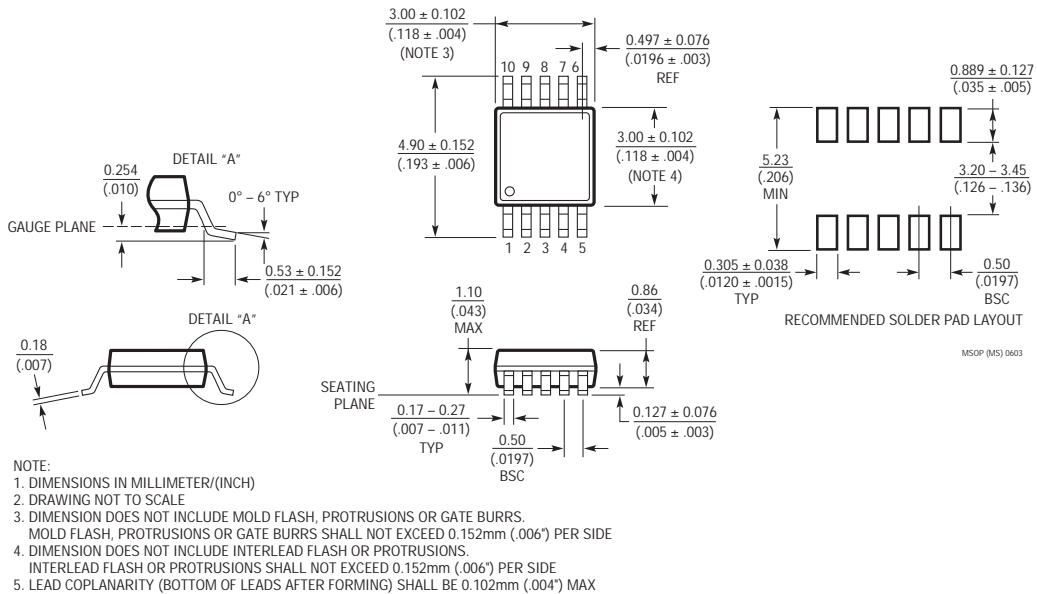
RECOMMENDED SOLDER PAD PITCH AND DIMENSIONS  
(05-08-1698)

PACKAGE DESCRIPTION

**MS8 Package**  
**8-Lead Plastic MSOP**  
 (Reference LTC DWG # 05-08-1660)



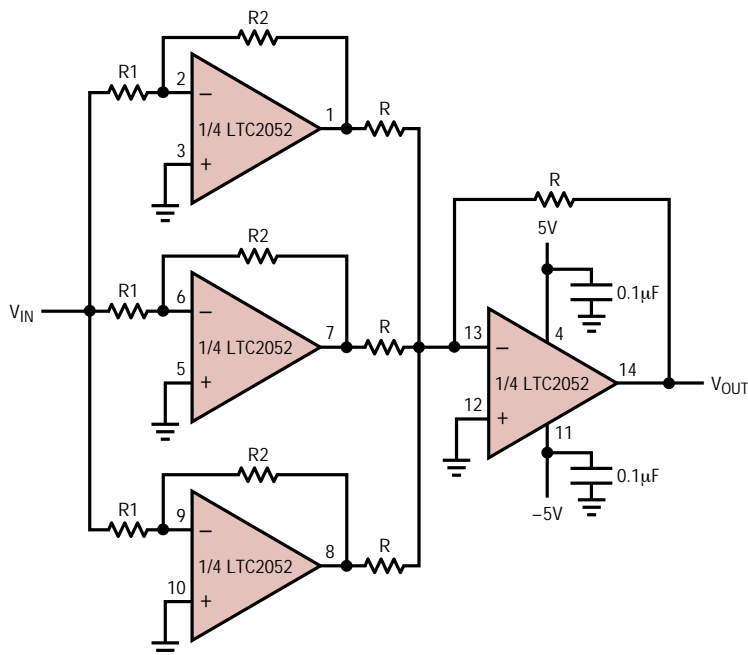
**MS Package**  
**10-Lead Plastic MSOP**  
 (Reference LTC DWG # 05-08-1661)





## TYPICAL APPLICATION

Paralleling Amplifiers to Improve Noise



$$\frac{V_{OUT}}{V_{IN}} = 3 \frac{R_2}{R_1}; \text{ INPUT DC - 10Hz NOISE} \approx 0.8\mu\text{V}_{p-p} = \frac{\text{NOISE OF EACH PARALLEL OP AMP}}{\sqrt{3}}$$

20512 F02

## RELATED PARTS

| PART NUMBER     | DESCRIPTION                                       | COMMENTS   |
|-----------------|---|--|
| LTC1051/LTC1053 | Precision Zero-Drift Op Amp                       | Dual/Quad  |
| LTC1151         | ±15V Zero-Drift Op Amp                            | Dual High Voltage Operation ±18V   |
| LTC1152         | Rail-to-Rail Input and Output Zero-Drift Op Amp   | Single Zero-Drift Op Amp with Rail-to-Rail Input and Output and Shutdown |
| LTC2050         | Zero-Drift Op Amp in SOT-23                       | Single Supply Operation 2.7V to ±5V, Shutdown                            |
| LTC2053         | Zero-Drift Precision Instrumentation Amp          | MS8, 116dB CMRR, Two External Resistors Set Gain                         |
| LTC6800         | Rail-to-Rail Input and Output Instrumentation Amp | Low Cost, MS8, Two External Resistors Set Gain                           |



Компания «ЭлектроПласт» предлагает заключение долгосрочных отношений при поставках импортных электронных компонентов на взаимовыгодных условиях!

Наши преимущества:

- Оперативные поставки широкого спектра электронных компонентов отечественного и импортного производства напрямую от производителей и с крупнейших мировых складов;
- Поставка более 17-ти миллионов наименований электронных компонентов;
- Поставка сложных, дефицитных, либо снятых с производства позиций;
- Оперативные сроки поставки под заказ (от 5 рабочих дней);
- Экспресс доставка в любую точку России;
- Техническая поддержка проекта, помощь в подборе аналогов, поставка прототипов;
- Система менеджмента качества сертифицирована по Международному стандарту ISO 9001;
- Лицензия ФСБ на осуществление работ с использованием сведений, составляющих государственную тайну;
- Поставка специализированных компонентов (Xilinx, Altera, Analog Devices, Intersil, Interpoint, Microsemi, Aeroflex, Peregrine, Syfer, Eurofarad, Texas Instrument, Miteq, Cobham, E2V, MA-COM, Hittite, Mini-Circuits, General Dynamics и др.);

Помимо этого, одним из направлений компании «ЭлектроПласт» является направление «Источники питания». Мы предлагаем Вам помощь Конструкторского отдела:

- Подбор оптимального решения, техническое обоснование при выборе компонента;
- Подбор аналогов;
- Консультации по применению компонента;
- Поставка образцов и прототипов;
- Техническая поддержка проекта;
- Защита от снятия компонента с производства.



#### Как с нами связаться

**Телефон:** 8 (812) 309 58 32 (многоканальный)

**Факс:** 8 (812) 320-02-42

**Электронная почта:** [org@eplast1.ru](mailto:org@eplast1.ru)

**Адрес:** 198099, г. Санкт-Петербург, ул. Калинина, дом 2, корпус 4, литера А.