

MASS (g)	VOLUME (mm ³)
7.7	1320

ELECTRICAL:

EMI SHIELDING : SHIELDED FOR THE RANGE 55dB UP TO 100MHZ

INSULATION RESISTANCE : >500MΩ PER ANSI-EIA-364-D METHOD 21

MAX. CURRENT RATING : SEE INSULATOR DRAWING

CONNECTOR TESTING VOLTAGE : SEE INSULATOR DRAWING

CONNECTOR WORKING VOLTAGE : SEE INSULATOR DRAWING

ENVIRONMENTAL:

ENDURANCE: 1000 CYCLES AS PER MIL-STD 1344A, METHOD 2016.1

SHOCK: 50 g . DURATION 6 ms; AS PER MIL-STD 1344A, METHOD 2004.1

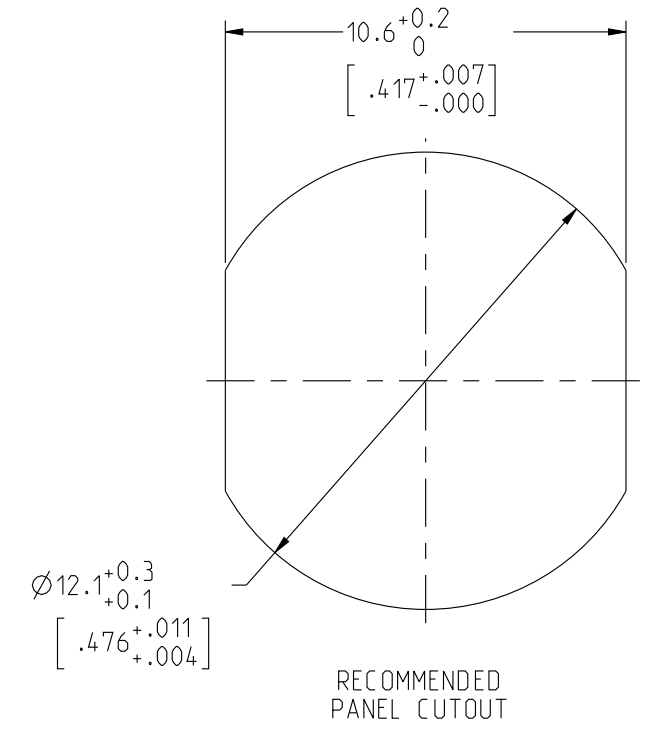
VIBRATIONS: 10 TO 2000Hz g = 15g, AS PER MIL-STD 1344A, METHOD 2005.1

PROTECTION INDEX: IP 40 AS PER CEI 529

ROHS COMPLIANT

SALT MIST : 48Hr PER SAE AS 1344 METHOD 1001.1 CEI 529

OPERATING TEMPERATURE: -55°C TO +125°C (-67°F TO +257°F)



RECOMMENDED PANEL CUTOUT

NOTES:

1 RED BAND

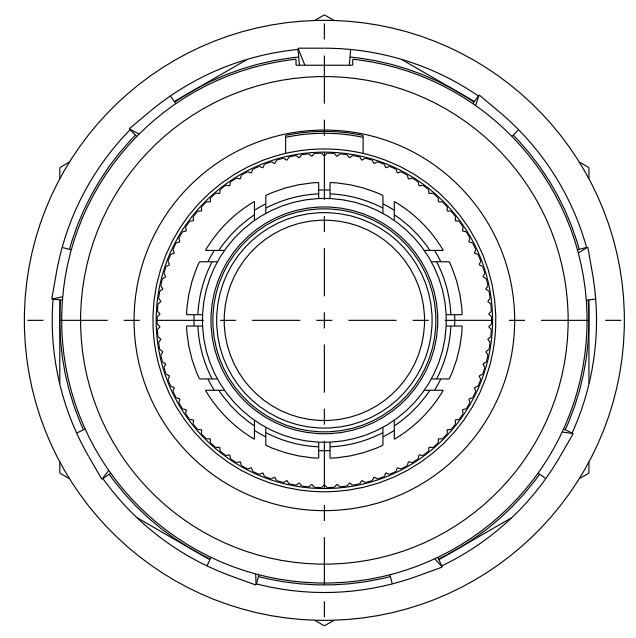
MATERIAL:

OUTER SHELL : } BRASS
SHIELD RING & NUT: }

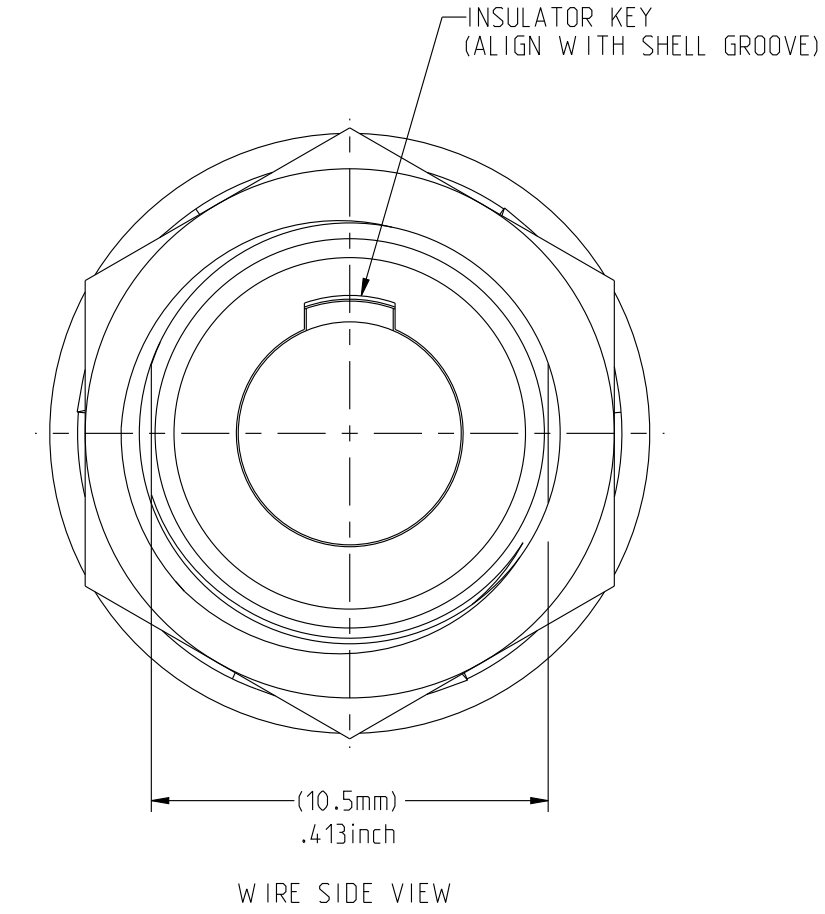
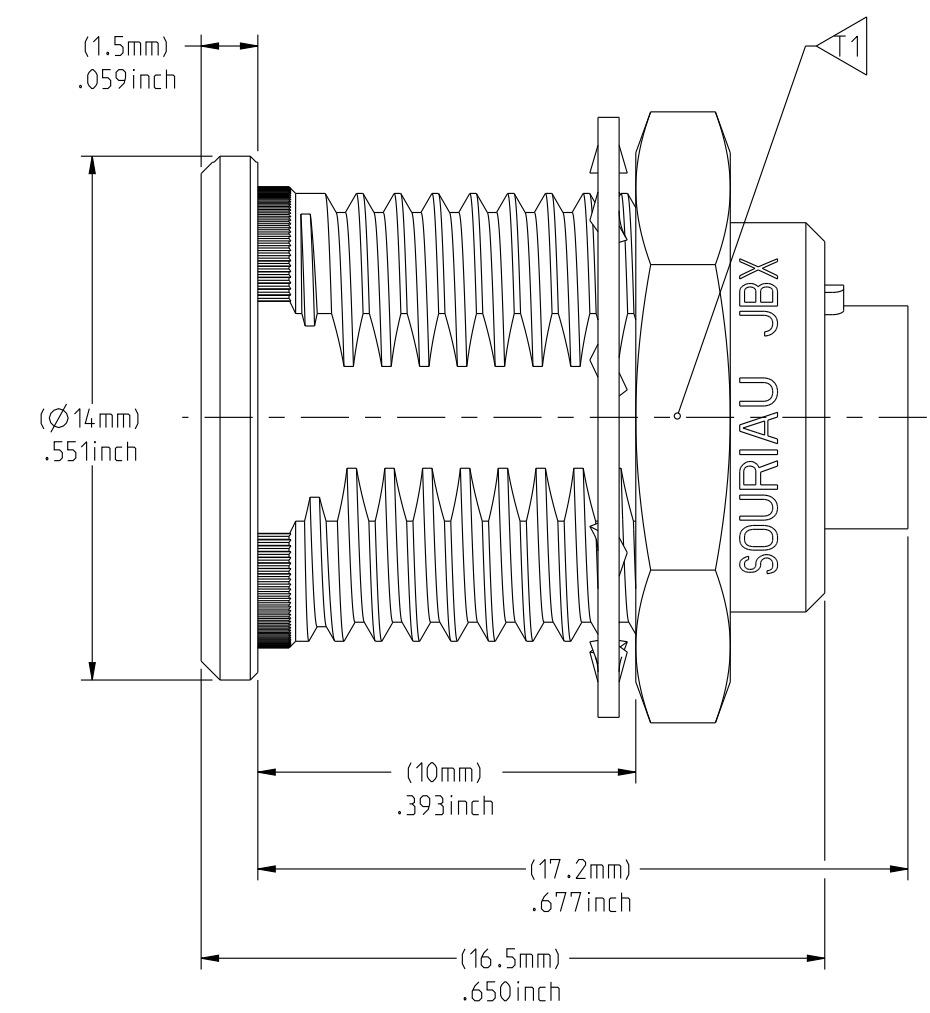
FINISH:

OUTER SHELL: CHROME
OTHER BRASS PARTS : NICKEL

T TOOLS



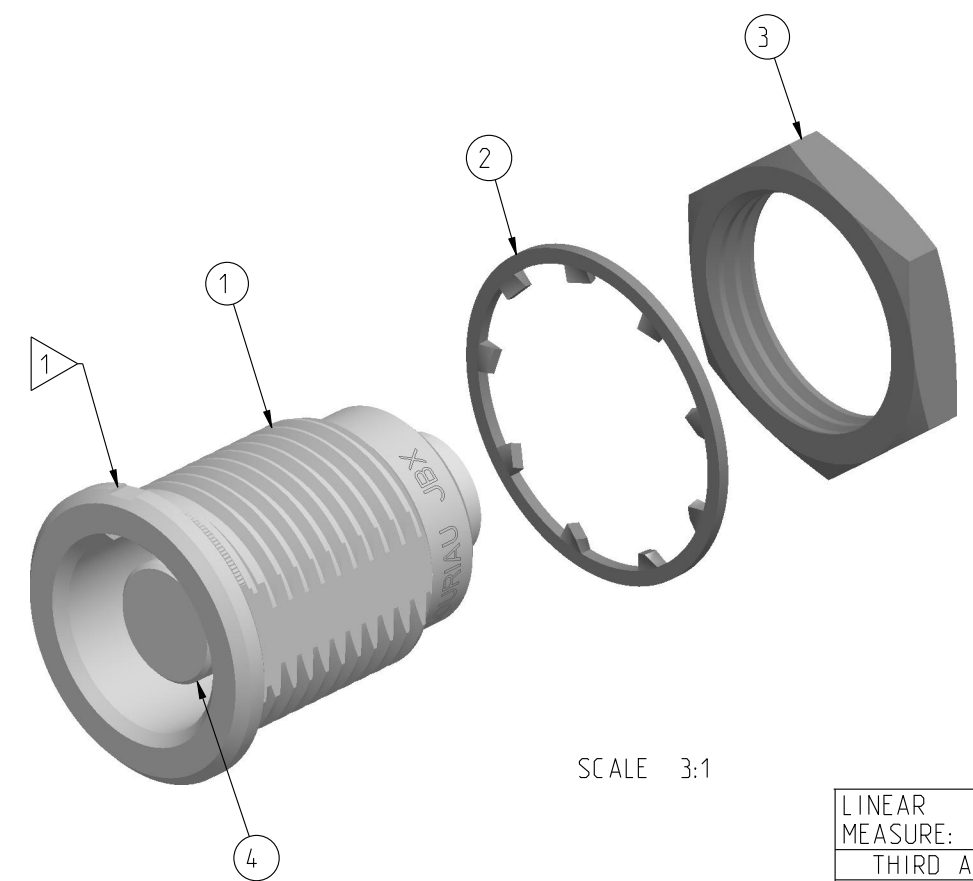
MATING SIDE VIEW



WIRE SIDE VIEW

PART LIST	
ITEM NO.	DESCRIPTION
1	SHELL
2	LOCK WASHER
3	HEX NUT
4	INSULATOR

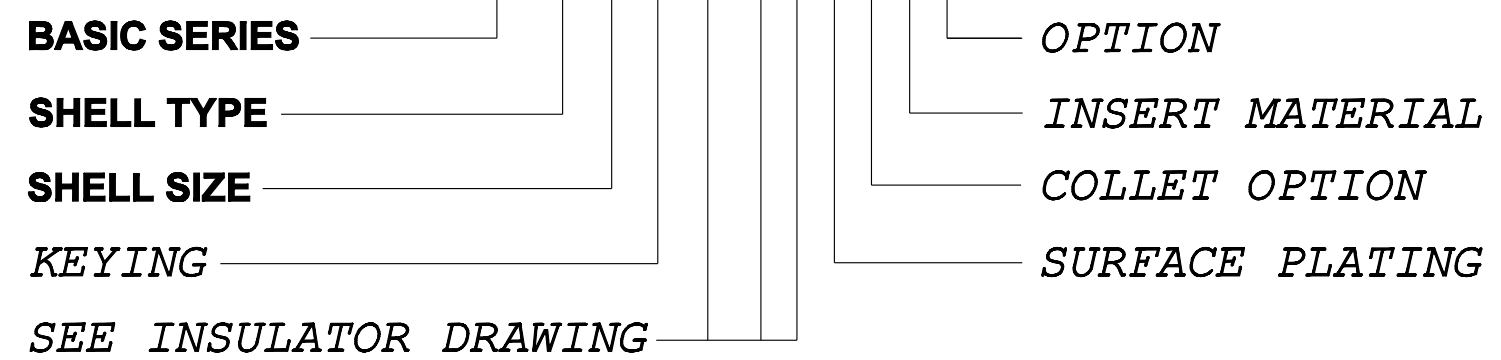
	TOOLS (JAW DIMENSION)	ADVISED TORQUE IN Nm
T1	14	1.3



SCALE 3:1

CATALOG NUMBER DESCRIPTION

JBX ER 1 XXXXXDXR



SEE INSULATOR DRAWING

ORIGIN	COUNTRY	JURISDICTION	CLASSIFICATION
X	FR	Not listed	N/A
	US	EAR	ECCN #EAR99

These commodities, technology or software are exported from the United States in accordance with the Export Administration Regulations. Diversion contrary to U.S. law is prohibited.

LINEAR MEASURE: $\frac{mm}{(INCH)}$ $\frac{mm}{(INCH)}$

THIRD ANGLE PROJECTION

TOLERANCES UNLESS OTHERWISE SPECIFIED

No. OF PLACES	mm [INCH]
WHOLE No.	±0.5 [±.02]
ONE PLACE	±0.2 [±.008]
TWO PLACES	±0.1 [±.004]

ANGLES ±1°

DRAWING TITLE: **JBX, SIZE 1, FRONT PANEL MOUNTING RECEPTACLE**

CAT NO. **JBXER1**

CAGE NO: 09922 SIZE: C

CUSTOMER

INTERPRET THIS DRAWING IN ACCORDANCE WITH ASME Y14.5M - 1994.

SOURIAU

www.souriau.com

APPROVAL	DRAWN: SKV	01-12-15
	CHKD : EV	01-12-15
	DSGN : EV	01-12-15
	MFG : DH	01-12-15
	QC : BB	01-12-15
	DRAWING SCALE: 5:1	
	DRAWING NO.	REV
	JBXERIC	A

1 OF 1

THIS DRAWING IS A CONTROLLED DOCUMENT FOR SOURIAU USA, INC. IT IS SUBJECT TO CHANGE WITHOUT NOTIFICATION. CONTACT THE DOCUMENT CONTROL CENTER FOR THE LATEST REVISION.

C

B

THE INFORMATION CONTAINED IN THIS DRAWING IS CONFIDENTIAL AND MAY NOT BE DISCLOSED WITHOUT WRITTEN CONSENT FROM SOURIAU USA, INC.

D

C

B

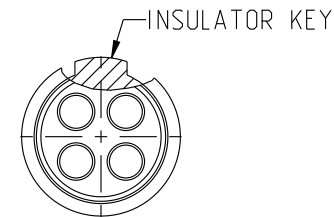
A

DWG. NO.
JBX1INSFCC

FEMALE INSULATOR, CRIMP CONTACT

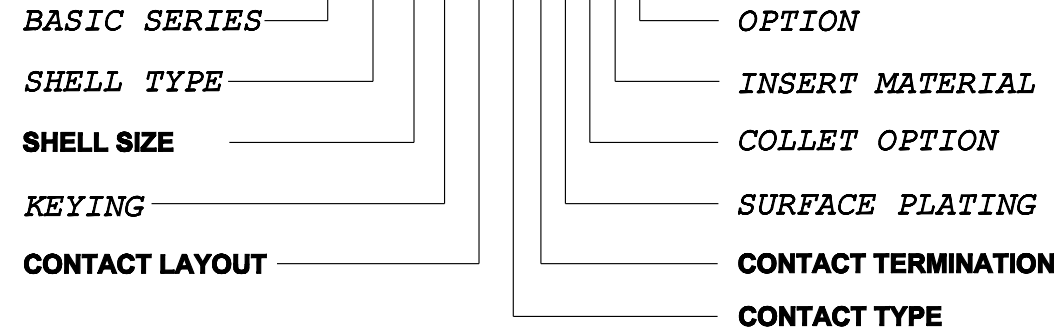
CONTACT LAYOUT	02	03	04	05
FRONT SIDE VIEW				
REAR SIDE VIEW				
CONTACT				
ISO VIEW				
CONTACT	ØC	1.3	1.3	0.9
	ØF	1.4	1.4	1.1
	MAX. AWG	18	18	20
	MAX. CURRENT RATING (A)	15	15	10
INSULATOR	CONTACT RESISTANCE (mΩ)	3	3	3.5
	NUMBER OF CAVITY	2	3	4
	MAX. CURRENT RATING	15	12	10
	TEST VOLTAGE (Vrms)	1600	1300	1900
WORKING VOLTAGE (Vdc/Vrms)	760/530	600/420	900/630	660/460

CONTACT TYPE : F (FEMALE)
CONTACT TERMINATION : C (CRIMP)
MATERIAL :
 CONTACT: CUPRO NICKEL
 CLIP: COPPER ALLOY
 INSULATOR: PEEK
FINISH:
 CONTACTS: GOLD



CATALOG NUMBER DESCRIPTION

JBXXX 1 X YY F C XXXX



B	REVISED PER ECN 12286	RSK 06-10-15	EV 06-10-15
A	RELEASED PER ECN 12264	SKV 03-10-15	EV 03-10-15
REV	DESCRIPTION	BY DATE	CHKD DATE

DRAWING TITLE
JBX, SIZE 1, FEMALE INSULATOR, CRIMP CONTACT

CAT NO. **JBX1INSFC**

CAGE NO: 09922 SIZE: B

CUSTOMER	SOURIAU	APPROVAL	DRAWN: SKV 02-02-15
		CHKD : EV 02-02-15	
INTERPRET THIS DRAWING IN ACCORDANCE WITH ASME Y14.5M - 1994.	WWW.SOURIAU.COM	DSGN : EV 02-02-15	
		MFG : DH 02-02-15	
		QC : BB 02-02-15	
		DRAWING SCALE: NA	
		DRAWING NO. REV	
		JBX1INSFCC B	
		1 OF 2	

THIS DRAWING IS A CONTROLLED DOCUMENT FOR SOURIAU USA, INC. IT IS SUBJECT TO CHANGE WITHOUT NOTIFICATION. CONTACT THE DOCUMENT CONTROL CENTER FOR THE LATEST REVISION.

THE INFORMATION CONTAINED IN THIS DRAWING IS CONFIDENTIAL AND MAY NOT BE DISCLOSED WITHOUT WRITTEN CONSENT FROM SOURIAU USA, INC.

ORIGIN	COUNTRY	JURISDICTION	CLASSIFICATION
X	FR	Not listed	N/A
	US	EAR	ECCN =EAR99

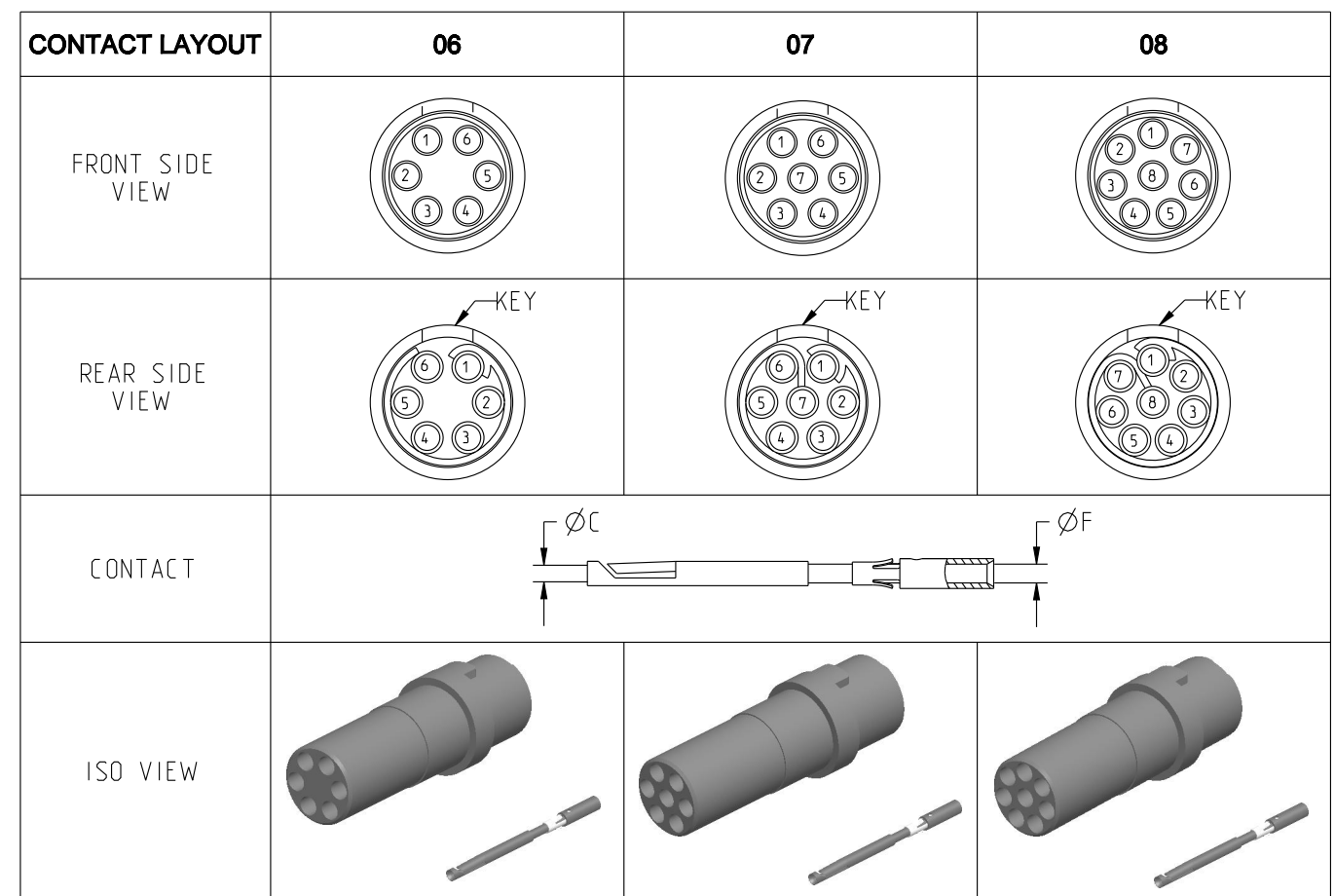
These commodities, technology or software are exported from the United States in accordance with the Export Administration Regulations. Diversion contrary to U.S. law is prohibited

LINEAR MEASURE: $\frac{mm}{INCH}$ mm (INCH)
 THIRD ANGLE PROJECTION

 TOLERANCES UNLESS OTHERWISE SPECIFIED
 No. OF PLACES mm [INCH]
 ONE PLACE ±3 [±.1]
 TWO PLACES ±0.5 [±.02]
 THREE PLACES ±0.25 [±.010]
 ANGLES ±1°

DWG. NO.
JBX1INSFCC

THIS DRAWING IS A CONTROLLED DOCUMENT FOR SOURIAU USA, INC. IT IS SUBJECT TO CHANGE WITHOUT NOTIFICATION. CONTACT THE DOCUMENT CONTROL CENTER FOR THE LATEST REVISION.



CONTACT	ØC	0.7	0.7	0.7
	ØF	0.85	0.85	0.85
	MAX. AWG	22	22	22
	MAX. CURRENT RATING (A)	7	7	7
CONTACT RESISTANCE (mΩ)		5	5	5
INSULATOR	NUMBER OF CAVITY	6	7	8
	MAX. CURRENT RATING	7	7	5
	TEST VOLTAGE (Vrms)	1400	1400	1200
	WORKING VOLTAGE (Vdc/Vrms)	660/460	660/460	600/420

THE INFORMATION CONTAINED IN THIS DRAWING IS CONFIDENTIAL AND MAY NOT BE DISCLOSED WITHOUT WRITTEN CONSENT FROM SOURIAU USA, INC.

B

A

DRAWING TITLE
JBX, SIZE 1, FEMALE INSULATOR, CRIMP CONTACT

CAT NO. **JBX1INSFC**

CAGE NO: 09922 SIZE: B

CUSTOMER	SOURIAU	APPROVAL	DRAWN: SKV 02-02-15
		CHKD : EV 02-02-15	DSGN : EV 02-02-15
INTERPRET THIS DRAWING IN ACCORDANCE WITH ASME Y14.5M - 1994.		MFG : DH 02-02-15	DRAWING SCALE: NA
		QC : BB 02-02-15	DRAWING NO. REV
WWW.SOURIAU.COM		JBX1INSFCC	B
		2 OF 2	

LINEAR MEASURE: $\frac{mm}{INCH}$ mm (INCH)

THIRD ANGLE PROJECTION

TOLERANCES UNLESS OTHERWISE SPECIFIED

No. OF PLACES	mm [INCH]
ONE PLACE	±3 [±.1]
TWO PLACES	±0.5 [±.02]
THREE PLACES	±0.25 [±.010]

ANGLES ±1°

ORIGIN	COUNTRY	JURISDICTION	CLASSIFICATION
X	FR	Not listed	N/A
	US	EAR	ECCN =EAR99

These commodities, technology or software are exported from the United States in accordance with the Export Administration Regulations. Diversion contrary to U.S. law is prohibited.

Mouser Electronics

Authorized Distributor

Click to View Pricing, Inventory, Delivery & Lifecycle Information:

[Souriau:](#)

[JBXER1G04FCSDSR](#) [JBXER1G06FCSDSR](#) [JBXER1G07FCSDSR](#) [JBXER1G03FCSDSR](#) [JBXER1G05FCSDSR](#)
[JBXER1G08FCSDSR](#) [JBXER1G02FCSDSR](#) [JBXER1G03FCNDSR](#) [JBXER1G06FCSDS](#)



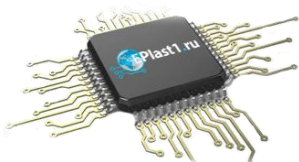
Компания «ЭлектроПласт» предлагает заключение долгосрочных отношений при поставках импортных электронных компонентов на взаимовыгодных условиях!

Наши преимущества:

- Оперативные поставки широкого спектра электронных компонентов отечественного и импортного производства напрямую от производителей и с крупнейших мировых складов;
- Поставка более 17-ти миллионов наименований электронных компонентов;
- Поставка сложных, дефицитных, либо снятых с производства позиций;
- Оперативные сроки поставки под заказ (от 5 рабочих дней);
- Экспресс доставка в любую точку России;
- Техническая поддержка проекта, помощь в подборе аналогов, поставка прототипов;
- Система менеджмента качества сертифицирована по Международному стандарту ISO 9001;
- Лицензия ФСБ на осуществление работ с использованием сведений, составляющих государственную тайну;
- Поставка специализированных компонентов (Xilinx, Altera, Analog Devices, Intersil, Interpoint, Microsemi, Aeroflex, Peregrine, Syfer, Eurofarad, Texas Instrument, Miteq, Cobham, E2V, MA-COM, Hittite, Mini-Circuits, General Dynamics и др.);

Помимо этого, одним из направлений компании «ЭлектроПласт» является направление «Источники питания». Мы предлагаем Вам помощь Конструкторского отдела:

- Подбор оптимального решения, техническое обоснование при выборе компонента;
- Подбор аналогов;
- Консультации по применению компонента;
- Поставка образцов и прототипов;
- Техническая поддержка проекта;
- Защита от снятия компонента с производства.



Как с нами связаться

Телефон: 8 (812) 309 58 32 (многоканальный)

Факс: 8 (812) 320-02-42

Электронная почта: org@eplast1.ru

Адрес: 198099, г. Санкт-Петербург, ул. Калинина, дом 2, корпус 4, литера А.