

SIDE ROTARY

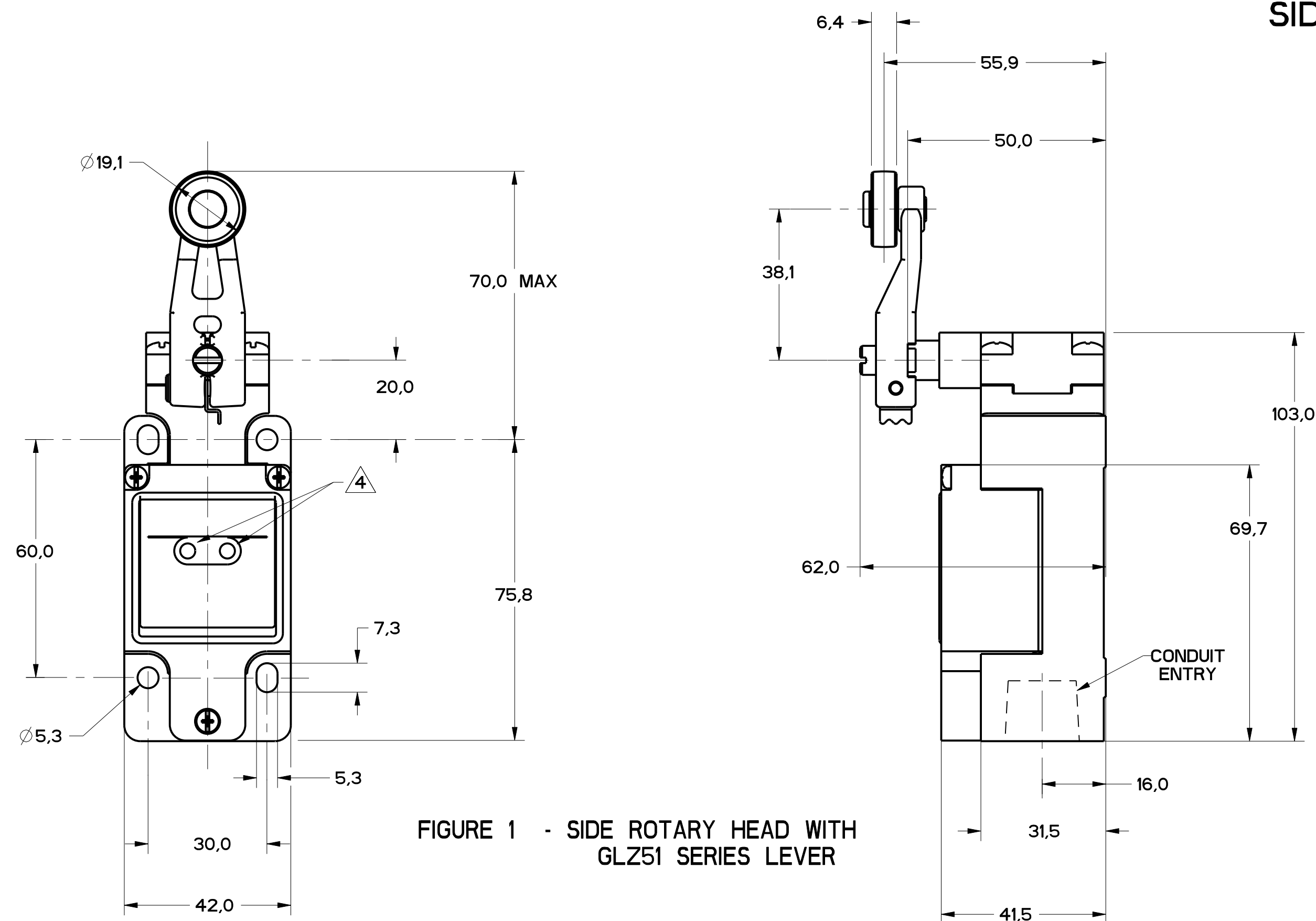


FIGURE 1 - SIDE ROTARY HEAD WITH GLZ51 SERIES LEVER

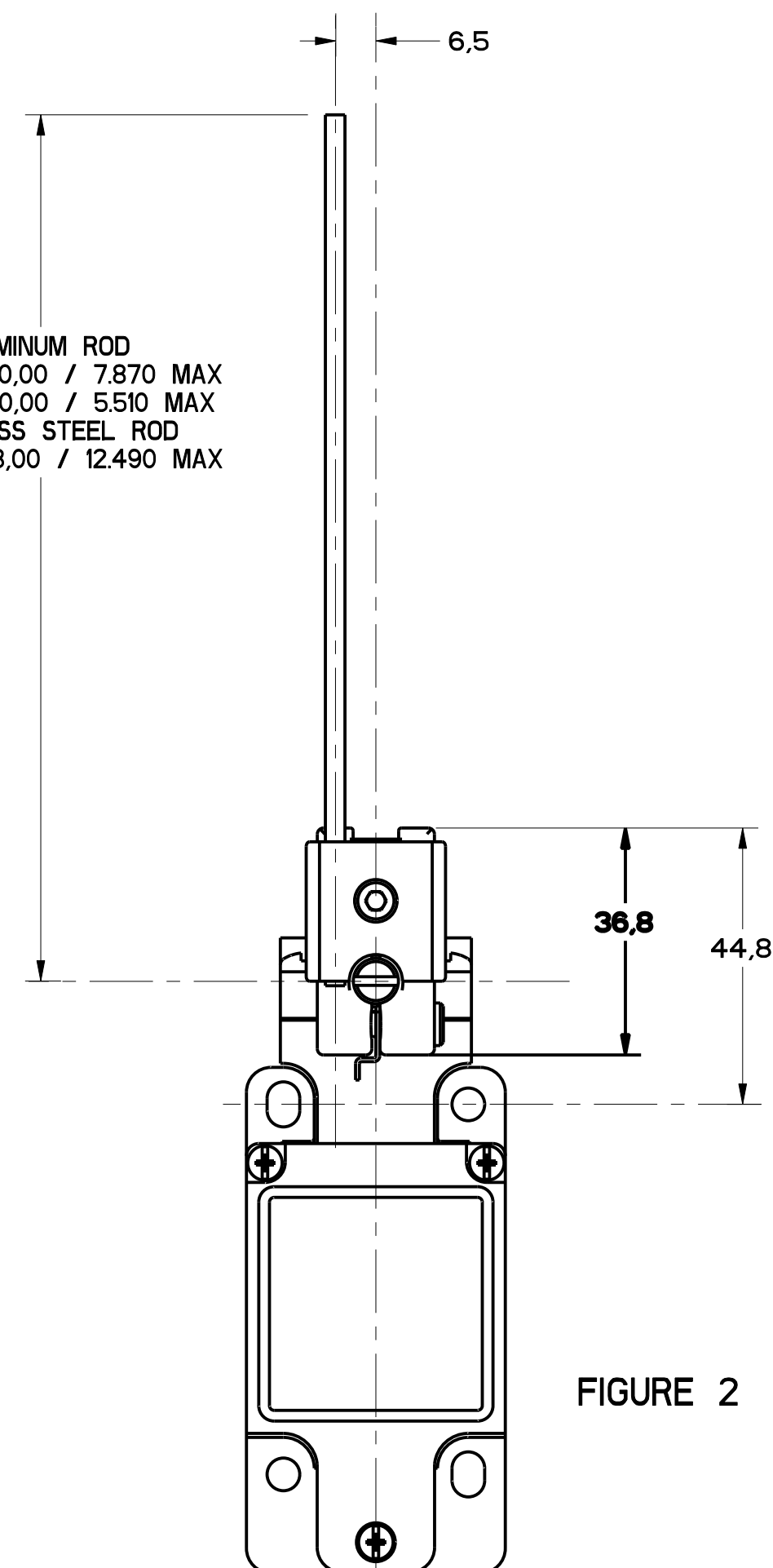


FIGURE 2 - SIDE ROTARY HEAD WITH GLZ54 SERIES LEVER OTHERWISE REFER TO FIGURE 1

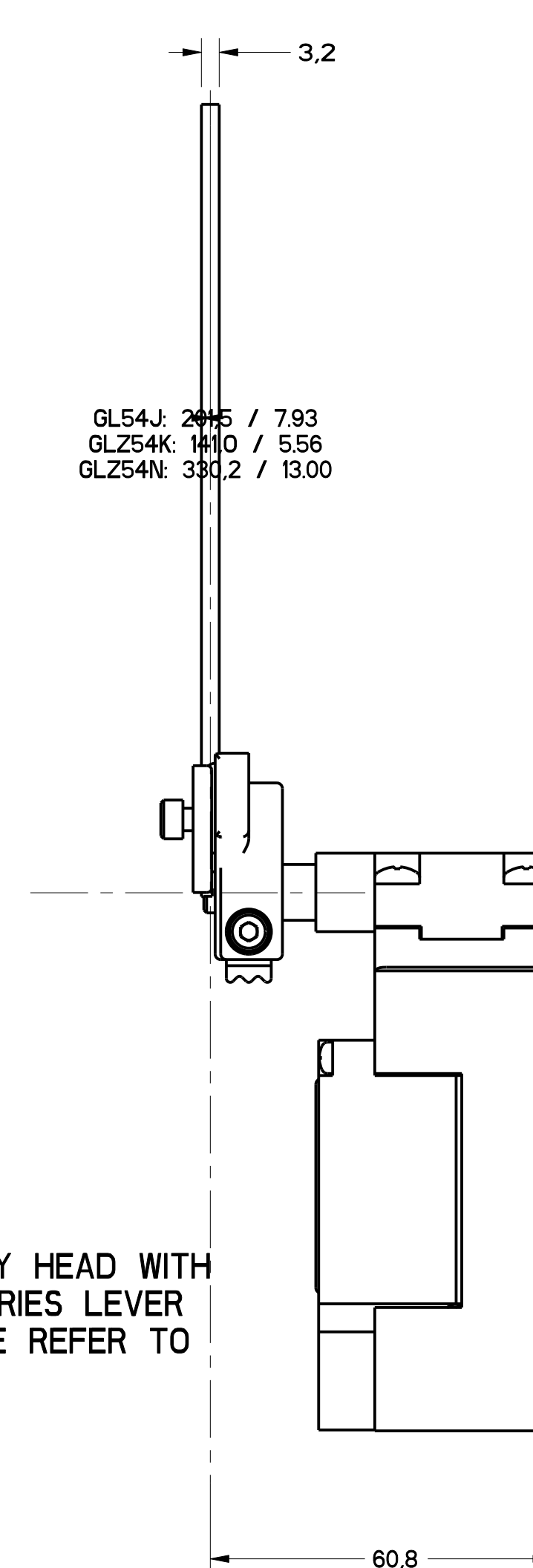


FIGURE 3 - SIDE ROTARY HEAD WITH GLZ52 SERIES LEVERS OTHERWISE REFER TO FIGURE 1

| FIGURE | CATALOG LISTING | CONDUIT ENTRY |
|--------|-----------------|---------------|
| 1A     | GL*A SERIES     | 1/2-14 NPT    |
| 1B     | GL*B SERIES     | PG13.5        |
| 1C     | GL*C SERIES     | 20mm          |
| 1D     | GL*D SERIES     | PF1/2         |

| ELECTRICAL RATING $\Delta 5$ |            |            |            |
|------------------------------|------------|------------|------------|
| AC                           |            | DC         |            |
| A600<br>Ue                   | AC15<br>Ie | O300<br>Ue | DC13<br>Ie |
| (VOLTS)                      | (AMPS)     | (VOLTS)    | (AMPS)     |
| 120                          | 6          | 24         | 2.8        |
| 240                          | 3          | 125        | .55        |
| 380                          | 1.9        | 250        | .27        |
| 480                          | 1.5        |            |            |
| 500                          | 1.4        |            |            |
| 600                          | 1.2        |            |            |

| ENVIRONMENTAL RATING       |  |
|----------------------------|--|
| IP67                       |  |
| NEMA/UL TYPES 1, 4, 12, 13 |  |

- NOTES
- HEADS MAY BE INDEXED IN 90° INCREMENTS
  - LEVERS MAY BE KEYED TO THE SHAFT AT 90° INCREMENTS. THEY MAY ALSO BE ATTACHED, BUT NOT KEYED ANYWHERE ON THE SHAFT.
  - FOR ADDITIONAL LEVERS SEE "M" DRAWING CHART GLZ5
  - THE RIGHT INDICATOR IS YELLOW AND INDICATES "OUTPUT STATUS" IT IS ON GLG SERIES PRODUCTS ONLY.
  - THE MAXIMUM VOLTAGE,  $V_e$  OF GLG SERIES PRODUCTS IS THE MAXIMUM RATED VOLTAGE OF INDICATION LIGHTS
  - FREE POSITION, OPERATE POINT, OVERTRAVEL AND PRETRAVEL ALL TO EN50041
  - CAM TRAVEL FOR FIG 9 ONLY APPLIES WHEN LEVER IS ADJUSTED TO 38.1 / 1.50
  - TEMPERATURE RANGE (ALL PRODUCTS EXCEPT W/SIDE ROTARY OPERATING HEAD) OPERATING: -25°C TO +85°C / -13°F TO +185°F STORAGE: -40°C TO +85°C / -40°F TO +185°F (PRODUCTS W/SIDE ROTARY OPERATING HEAD) OPERATING: -40°C TO +85°C / -40°F TO +185°F STORAGE: -40°C TO +85°C / -40°F TO +185°F

| CATALOG LISTING | BODY DIMENSIONS, FIGURE | HEAD DIMENSIONS, FIGURE | HEAD ACTUATION, FIGURE |
|-----------------|-------------------------|-------------------------|------------------------|
| GLB***          | I                       | N/A                     | N/A                    |
| GLG***          | I                       | N/A                     | N/A                    |
| GLJ***          | I                       | N/A                     | N/A                    |
| GLA***          | 1A                      | N/A                     | N/A                    |
| GLB***          | 1B                      | N/A                     | N/A                    |
| GLC***          | 1C                      | N/A                     | N/A                    |
| GLD***          | 1D                      | N/A                     | N/A                    |
| GL***A1*        | I                       | 1                       | 8                      |
| GL***A2*        | I                       | 3                       | 9                      |
| GL***A4*        | I                       | 2                       | 10                     |
| GL***A5*        | I                       |                         | 8                      |
| GL***B          | I                       | 4                       | 11                     |
| GL***C          | I                       | 5                       | 13A, 13B               |
| GL***D          | I                       | 6                       | 14A, 14B               |
| GL***E7A        | I                       | 7A                      | 12                     |
| GL***E7B        | I                       | 7                       | 12                     |
| GL***E7C        | I                       | 7E                      | 12                     |
| GL***E7D        | I                       | 7B                      | 12                     |
| GL***K8A        | I                       | 7C                      | 15                     |
| GL***K8B        | I                       | 7D                      | 15                     |
| GL***K8C        | I                       | 7                       | 15                     |

| LEVER  | ROLLER MATL | X DIM       | Y DIM          | Z DIM          |
|--------|-------------|-------------|----------------|----------------|
| GLZ52A | NYLON       | 19.1<br>.75 | 65.9<br>2.59   | 6.4<br>.25     |
| GLZ52B | STEEL       | 19.1<br>.75 | 65.9<br>2.59   | 6.4<br>.25     |
| GLZ52D | NYLON       | 38.1<br>1.5 | 65.9<br>2.59   | 6.4<br>.25     |
| GLZ52E | NYLON       | 19.1<br>.75 | 79.37<br>3.125 | 33.07<br>1.300 |
| GLZ52W | RUBBER      | 40.0<br>1.5 | 71.5<br>2.81   | 12.7<br>.5     |
| GLZ52Y | RUBBER      | 50.9<br>2.0 | 71.5<br>2.81   | 12.7<br>.5     |

THIS DRAWING COVERS A PROPRIETARY ITEM AND IS THE PROPERTY OF MICRO SWITCH, A DIVISION OF HONEYWELL. THIS DRAWING IS NOT TO BE COPIED OR USED WITHOUT THE APPROVAL OF MICRO SWITCH.

FED. MFG. CODE 91929

**MICRO SWITCH**  
a Honeywell Division

SWITCH, ENCLOSED

CATALOG LISTING  
**GL SERIES CHART 2**

SI METRIC  US CUSTOMARY

THIRD ANGLE PROJECTION

SCALE: FULL

DO NOT SCALE PRINT

TOLERANCES

APPLY TO DESIGN UNITS. CONVERSIONS ARE ONLY FOR REFERENCE. UNLESS NOTED, TOLERANCES ARE:

| NO. PLACES   | SI    | US      | NO. PLACES   | SI    | US      |
|--------------|-------|---------|--------------|-------|---------|
| TWO PLACES   | 0.01  | 0.0005  | TWO PLACES   | 0.01  | 0.0005  |
| THREE PLACES | 0.001 | 0.0001  | THREE PLACES | 0.001 | 0.0001  |
| ANGLES       | ±0.1° | ±0.005° | ANGLES       | ±0.1° | ±0.005° |

DESIGN UNITS:  SI METRIC  US CUSTOMARY

WEIGHT

MGL SERIES CHART 2  
 DRAWING NUMBER: 11  
 CHECKED: MDM  
 RELEASE NO. PR-20782  
 DATE: 28 MARCH 98  
 PTC/CAD  
 S. A. V. 28MARCH98

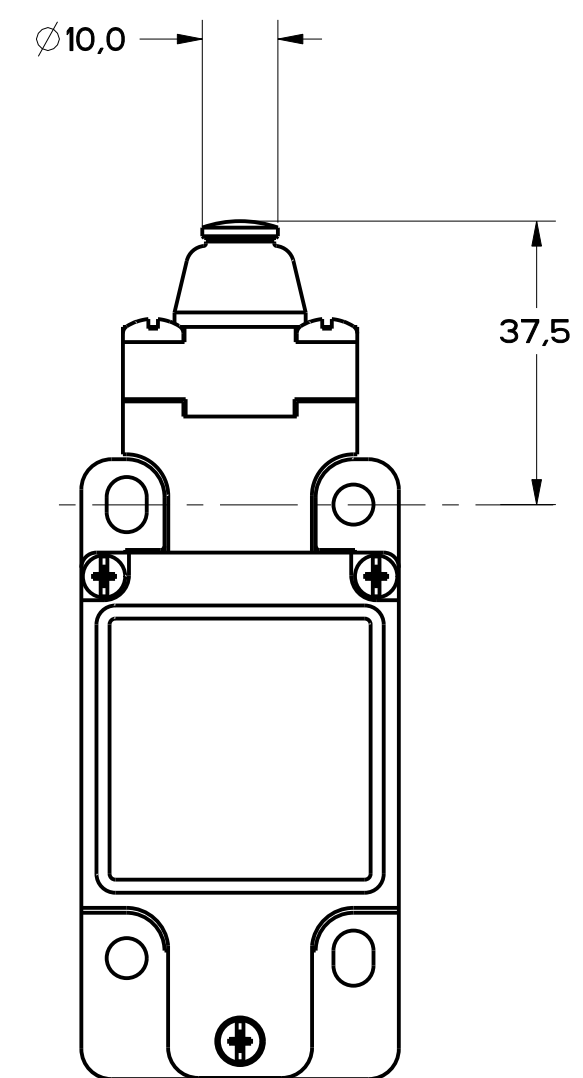


FIGURE 4 - TOP PIN PLUNGER HEAD  
OTHERWISE REFER TO  
FIGURE 1

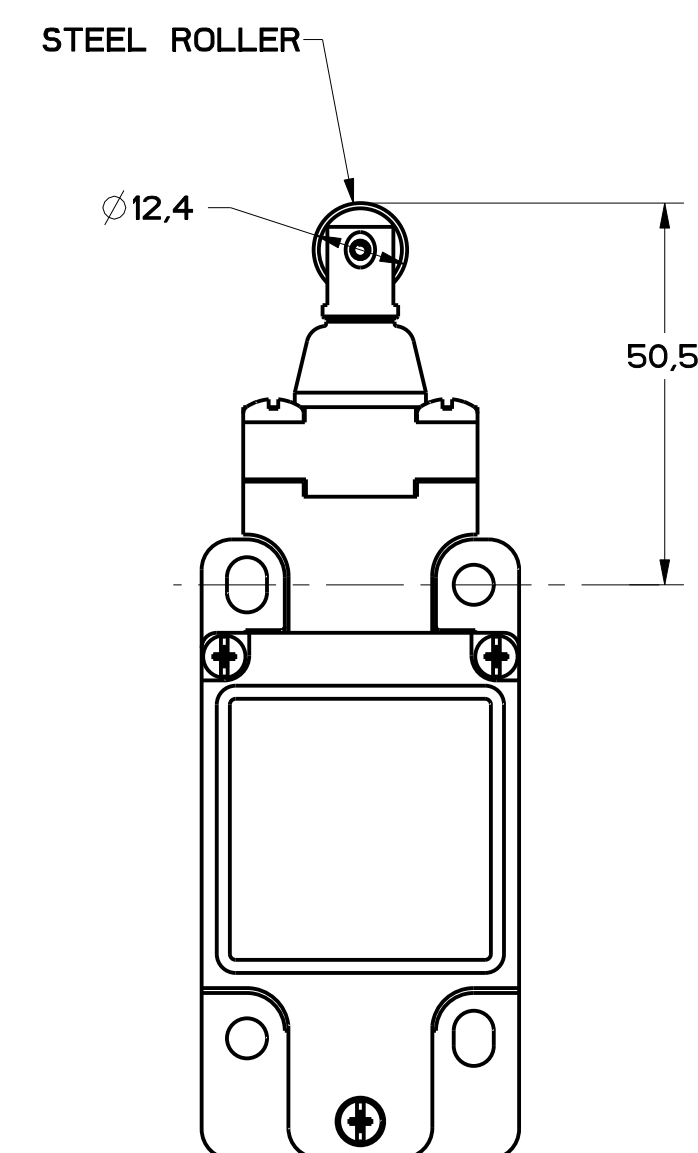
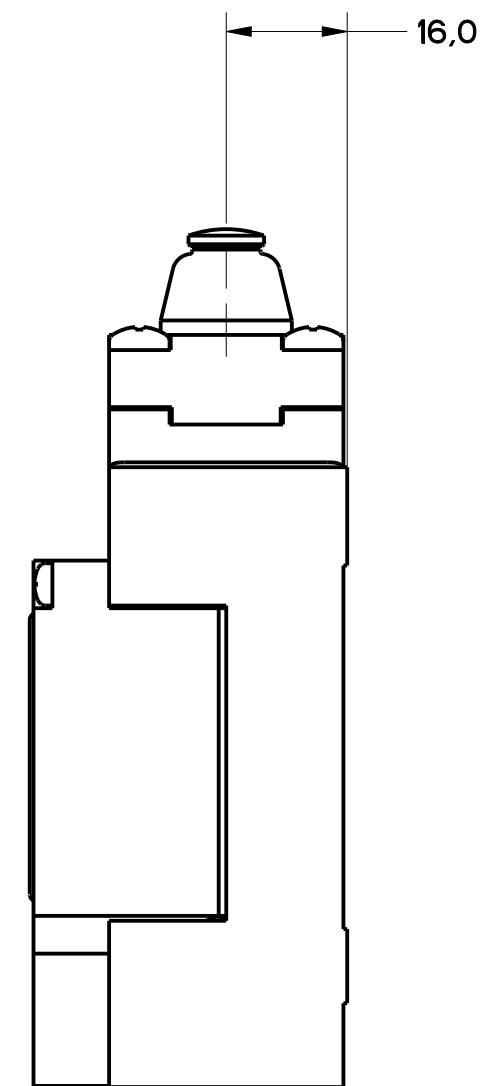


FIGURE 5 - TOP ROLLER PLUNGER HEAD  
OTHERWISE REFER TO  
FIGURE 1

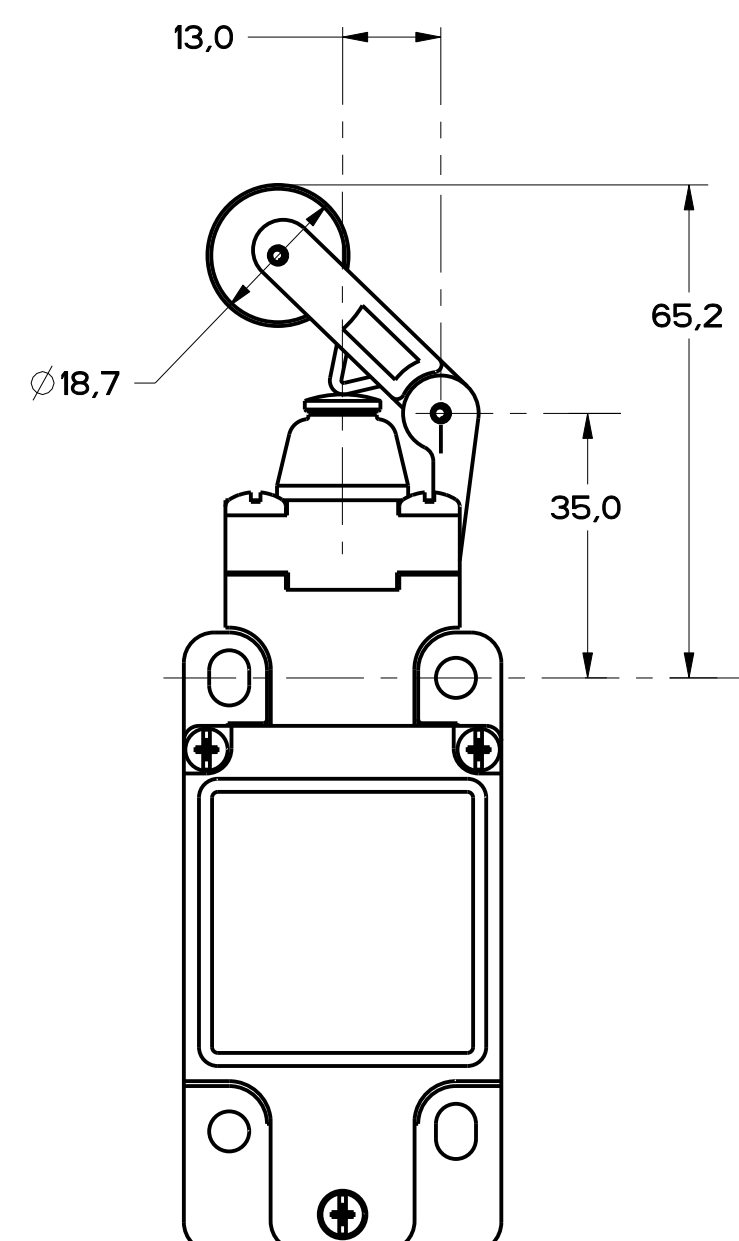
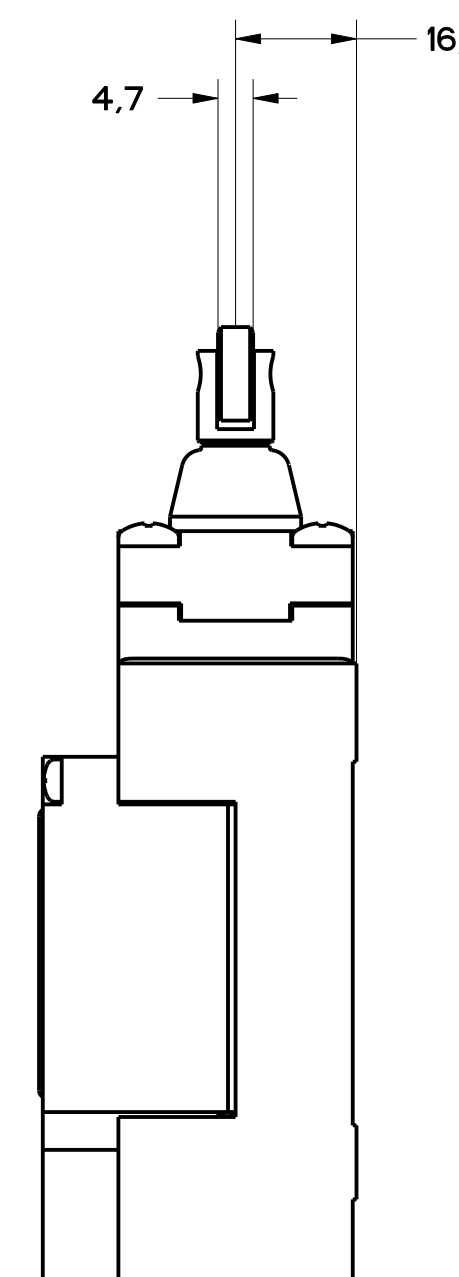
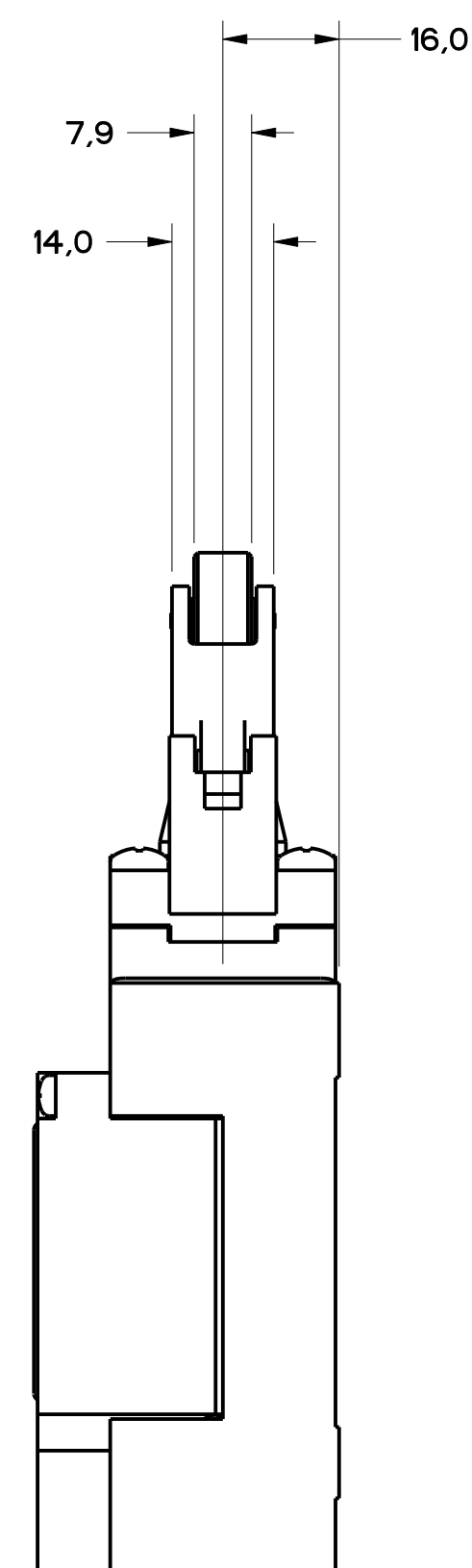


FIGURE 6 - TOP LEVER HEAD,  
OTHERWISE REFER TO  
FIGURE 1



MBL SERIES CHART 2

11 OF 8  
RELEASE NO. PR-20782  
CHECKED: MDM  
DATE: 12/20/82  
DRAWN: P.T.C./CAD  
WLS

|   |  |                   |  |
|---|--|-------------------|--|
| THIS DRAWING COVERS A PROPRIETARY ITEM AND IS THE PROPERTY OF MICRO SWITCH, A DIVISION OF HONEYWELL. THIS DRAWING IS NOT TO BE COPIED OR USED WITHOUT THE APPROVAL OF MICRO SWITCH. |  | CATALOG LISTING   |  |
| FED. MFG. CODE 91929  |  | SWITCH, ENCLOSED  |  |
| MICRO SWITCH<br>a Honeywell Division  |  | GL SERIES CHART 2 |  |
| DESIGN UNITS <input checked="" type="checkbox"/> SI METRIC <input type="checkbox"/> US CUSTOMARY <input type="checkbox"/>   |  | WEIGHT            |  |

|  |         |         |          |
|--|---------|---------|----------|
| THIRD ANGLE PROJECTION   |         |         |          |
| SCALE FULL   |         |         |          |
| DO NOT SCALE PRINT   |         |         |          |
| TOLERANCES   |         |         |          |
| APPLY TO DESIGN UNITS. CONCESSIONS ARE ONLY FOR REFERENCE, UNLESS NOTED. TOLERANCES ARE: |         |         |          |
| NO PLACES  | ±0.04   | ±0.0015 | ±0.0005  |
| ONE PLACE  | ±0.05   | ±0.002  | ±0.0006  |
| TWO PLACES   | ±0.005  | ±0.0005 | ±0.0002  |
| THREE PLACES   | ±0.0005 | ±0.0001 | ±0.00005 |
| ANGLES   | ±2'     |         |          |



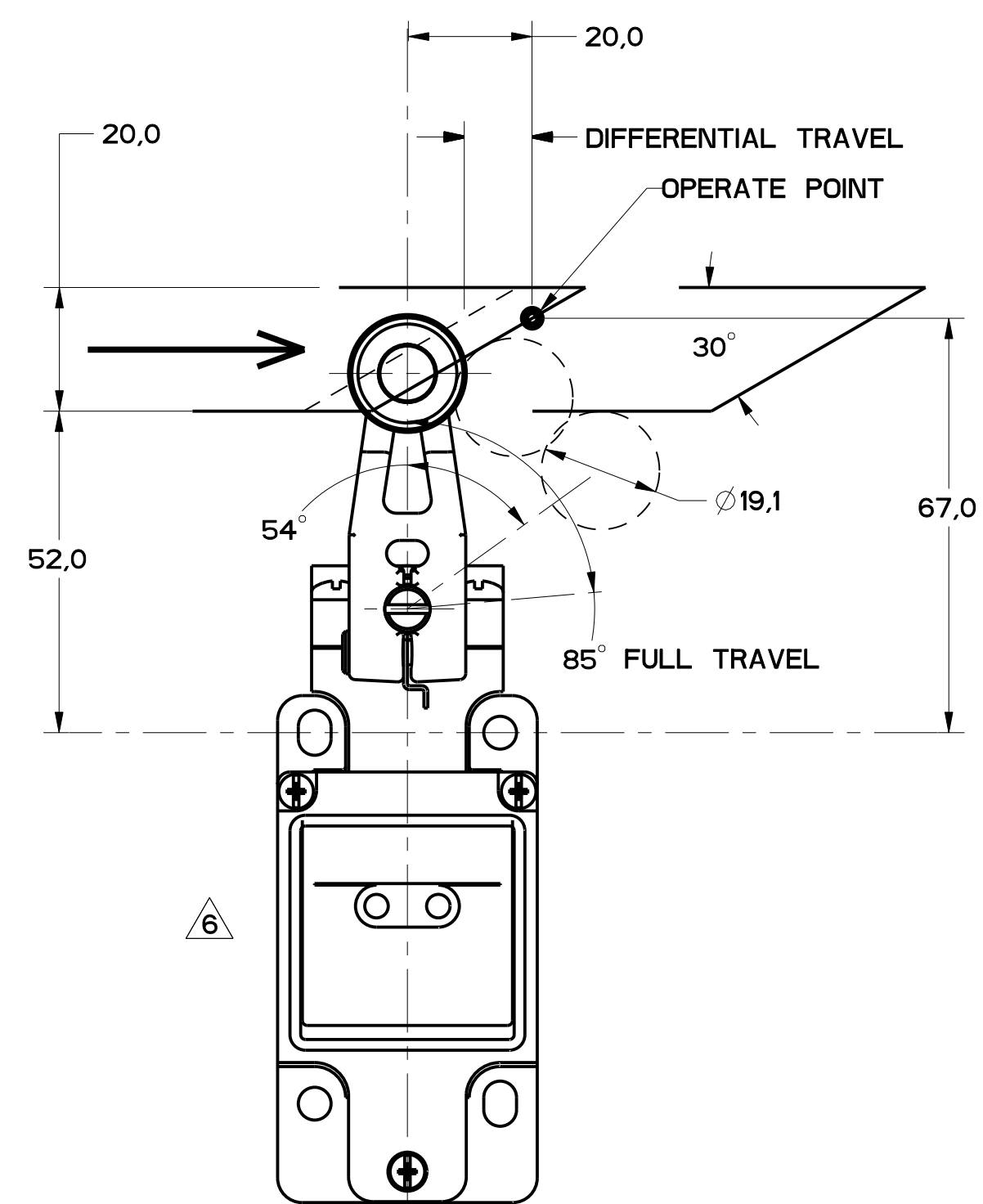


FIGURE 8

GLZ54J: 200.00 / 7.870 MAX  
GLZ54K: 140.00 / 5.510 MAX  
ALUMINUM ROD

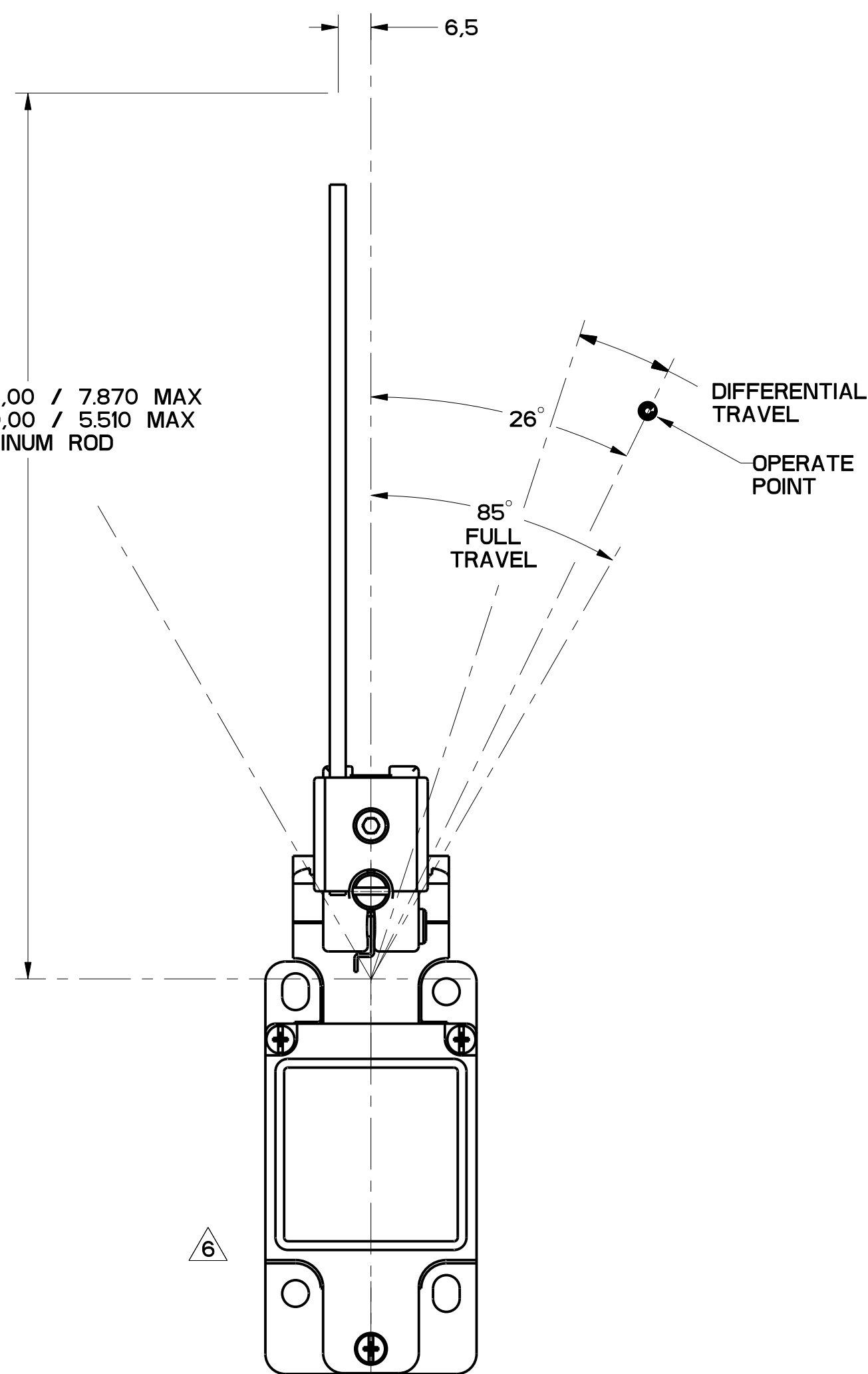


FIGURE 10

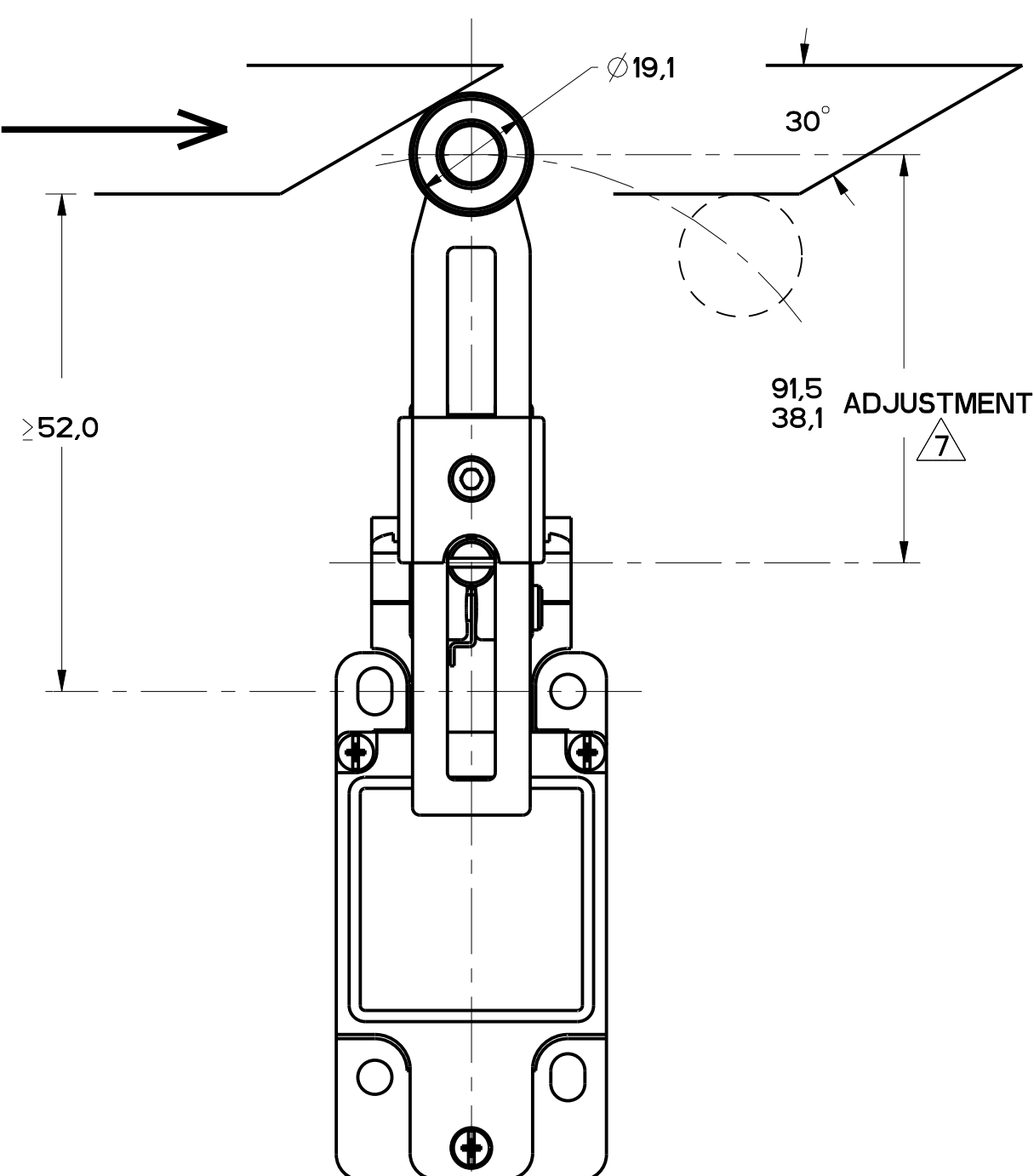


FIGURE 9

FIGURES 8, 9, 10 ANGULAR ACTUATION

| CATALOG LISTING | CONTACT BLOCK DIAGRAM                  | NOMINAL TRAVELS AND RELATED TERMINALS<br>CONTACT CLOSED, CONTACT OPEN, CONTACT CLOSED<br>DIFFERENTIAL TRAVEL, ** POSITIVE OPENING TO IEC 947-5 | MAXIMUM OPERATING TORQUE<br>LB-IN | MAXIMUM DISCONNECT TORQUE<br>LB-IN | MAX OPERATE DEGREE/S | MIN OPERATE DEGREE/S | MAX OPERATE FREQUENCY OPS/MIN |
|-----------------|--|--|-----------------------------------|------------------------------------|----------------------|----------------------|-------------------------------|
| GL**02A*        | SNAP - ACTION CONTACTS SINGLE POLE<br> | 21-22 26° 55**° 85°<br>13-14 12° DIFFERENTIAL TRAVEL   | .330<br>2.9                       | .385<br>3.4                        | 1290                 | 13                   | 250                           |

CAM ACTUATION PER EN50041, FIGURES 8 AND 9

| CATALOG LISTING | CONTACT BLOCK DIAGRAM                  | NOMINAL TRAVELS AND RELATED TERMINALS<br>CONTACT CLOSED, CONTACT OPEN, CONTACT CLOSED<br>DIFFERENTIAL TRAVEL, ** POSITIVE OPENING TO IEC 947-5<br>DIMENSIONS IN mm | MAXIMUM OPERATING FORCE<br>LB | MAXIMUM DISCONNECT FORCE<br>LB | MAX OPERATE VEL<br>IN/S | MIN OPERATE VEL<br>IN/S | MAX OPERATE FREQUENCY OPS/MIN |
|-----------------|--|--|-------------------------------|--------------------------------|-------------------------|-------------------------|-------------------------------|
| GL**02A*        | SNAP - ACTION CONTACTS SINGLE POLE<br> | 21-22 0 20 56**<br>13-14 12 DIFFERENTIAL TRAVEL  | 9.7<br>2.2                    | 11.4<br>2.6                    | .85<br>33.5             | 8.5<br>.33              | 250                           |

|    |       |     |
|----|-------|-----|
| 11 | ISSUE | MDM |
| 10 | ISSUE | MDM |
| 9  | ISSUE | MDM |
| 8  | ISSUE | MDM |
| 7  | ISSUE | MDM |
| 6  | ISSUE | MDM |
| 5  | ISSUE | MDM |
| 4  | ISSUE | MDM |
| 3  | ISSUE | MDM |
| 2  | ISSUE | MDM |
| 1  | ISSUE | MDM |

THIS DRAWING COVERS A PROPRIETARY ITEM AND IS THE PROPERTY OF MICRO SWITCH, A DIVISION OF HONEYWELL. THIS DRAWING IS NOT TO BE COPIED OR USED WITHOUT THE APPROVAL OF MICRO SWITCH.

FED. MFG. CODE 91929

**MICRO SWITCH**  
a Honeywell Division

SWITCH, ENCLOSED

CATALOG LISTING  
**GL SERIES CHART 2**

|              |         |        |       |        |
|--------------|---------|--------|-------|--------|
| NO PLACES    | X       | 1/16   | 1/32  | 0.001  |
| TWO PLACES   | X, Y    | 0.0015 | 0.002 | 0.0015 |
| THREE PLACES | X, Y, Z | 0.002  | 0.003 | 0.002  |

DESIGN UNITS:  SI METRIC  US CUSTOMARY

WEIGHT



FIGURE 13A, ROLLER PLUNGER HEAD, PIN ACTUATION

| CATALOG LISTING | CONTACT BLOCK DIAGRAM                     | NOMINAL TRAVELS AND RELATED TERMINALS<br>CONTACT CLOSED, CONTACT OPEN, CONTACT CLOSED<br>DIFFERENTIAL TRAVEL, ** POSITIVE OPENING TO IEC 947-5 | MAXIMUM OPERATING FORCE<br>LB | MAXIMUM DISCONNECT FORCE<br>LB | MAX OPERATE VEL<br>in/S | MIN OPERATE VEL<br>in/S | MAX OPERATE FREQUENCY<br>OPS/MIN |
|-----------------|---|--|-------------------------------|--------------------------------|-------------------------|-------------------------|----------------------------------|
| GL**02C         | SNAP - ACTION CONTACTS<br>SINGLE POLE<br> | <br>0.9 DIFFERENTIAL TRAVEL  | $\frac{16}{3.6}$              | $\frac{27}{6.0}$               | $\frac{0.1}{3.9}$       | $\frac{1.0}{.04}$       | 250                              |

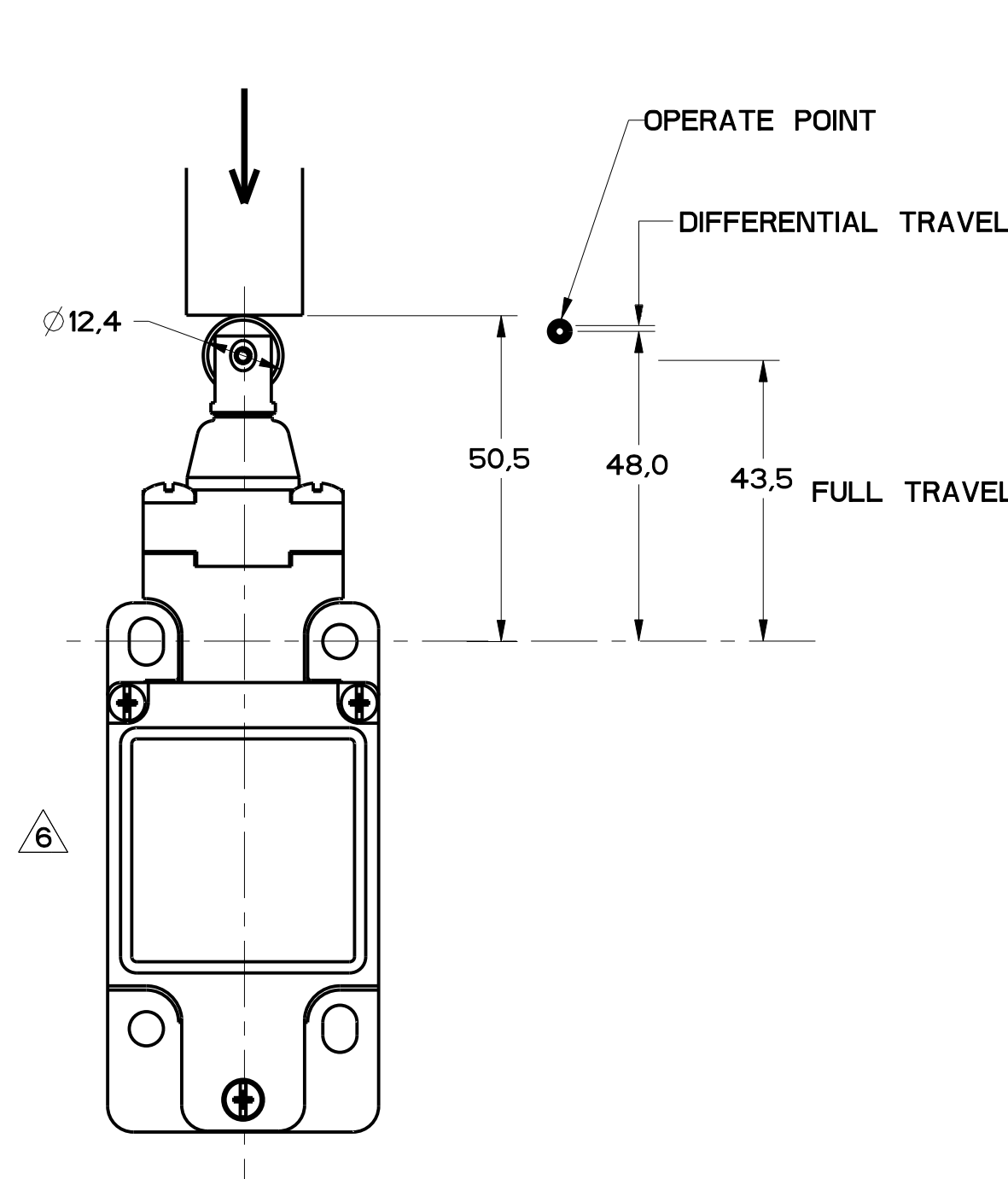


FIGURE 13A

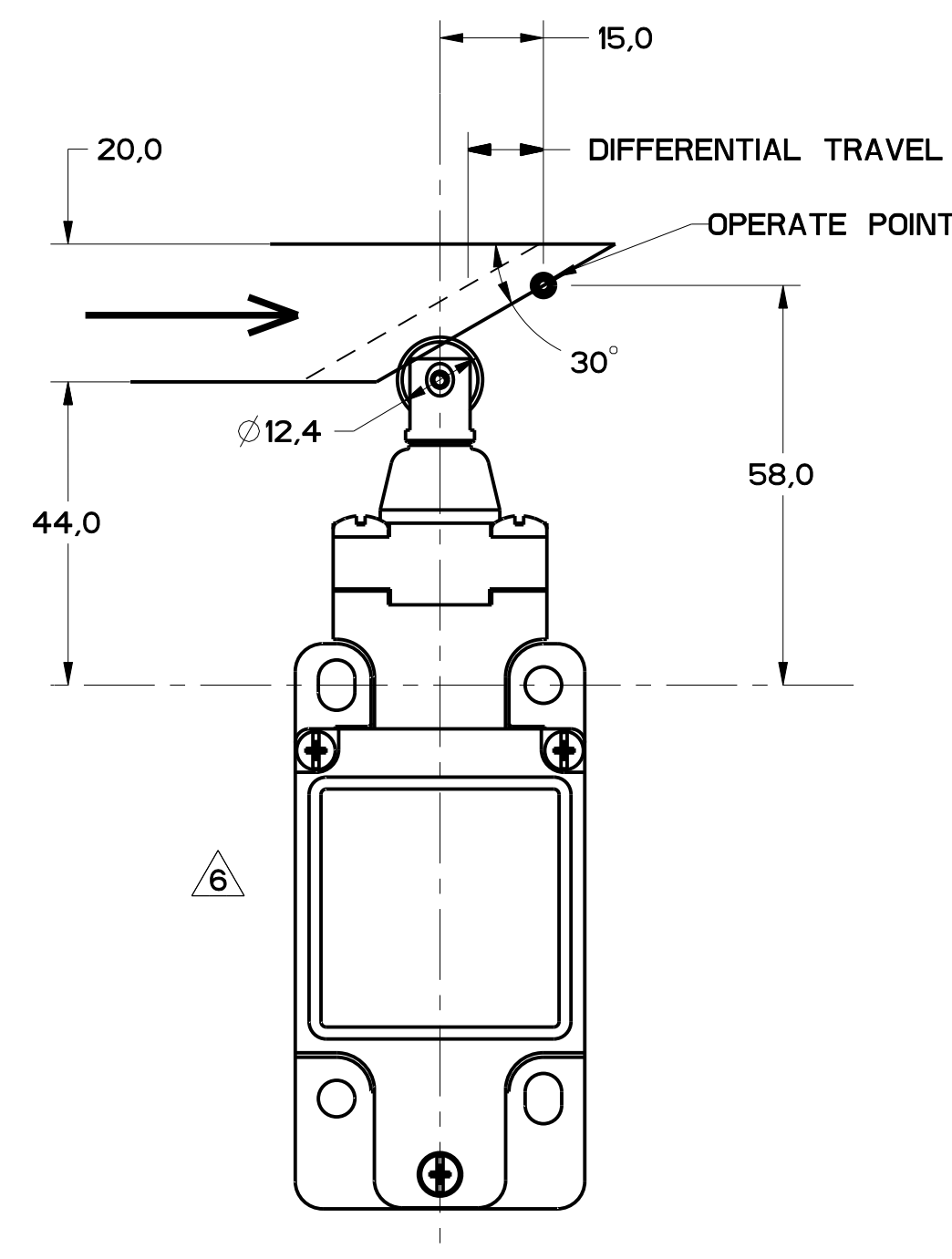


FIGURE 13B

FIGURE 13B, TOP ROLLER PLUNGER HEAD, CAM ACTUATION PER EN50041

| CATALOG LISTING | CONTACT BLOCK DIAGRAM                     | NOMINAL TRAVELS AND RELATED TERMINALS<br>CONTACT CLOSED, CONTACT OPEN, CONTACT CLOSED<br>DIFFERENTIAL TRAVEL, ** POSITIVE OPENING TO IEC 947-5 | MAXIMUM OPERATING FORCE<br>LB | MAXIMUM DISCONNECT FORCE<br>LB | MAX OPERATE VEL<br>in/S | MIN OPERATE VEL<br>in/S | MAX OPERATE FREQUENCY<br>OPS/MIN |
|-----------------|---|--|-------------------------------|--------------------------------|-------------------------|-------------------------|----------------------------------|
| GL**02C         | SNAP - ACTION CONTACTS<br>SINGLE POLE<br> | <br>1.8 DIFFERENTIAL TRAVEL  | $\frac{9.3}{2.1}$             | $\frac{15.6}{3.5}$             | $\frac{0.17}{6.7}$      | $\frac{1.7}{.067}$      | 250                              |

MBL SERIES CHART 2  
 DRAWING NUMBER: 6 OF 8  
 RELEASE NO. PR-20782  
 REVISIONS: 11  
 CHECK: MDM  
 DATE: 11/18/94  
 BY: MAM

PTC/CAD  
 WLS/LODEC3  
 MAM  
 5-JAN-94  
 CHECK: MAM  
 DATE: 11/18/94  
 BY: MAM

|   |  |   |  |
|---|--|---|--|
| THIS DRAWING COVERS A PROPRIETARY ITEM AND IS THE PROPERTY OF MICRO SWITCH, A DIVISION OF HONEYWELL. THIS DRAWING IS NOT TO BE COPIED OR USED WITHOUT THE APPROVAL OF MICRO SWITCH.<br>FED. MFG. CODE 91929 |  | CATALOG LISTING<br><b>SWITCH, ENCLOSED</b><br><b>GL SERIES CHART 2</b>  |  |
| MICRO SWITCH<br>a Honeywell Division  |  | SI METRIC<br>DESIGN UNITS: <input checked="" type="checkbox"/> SI METRIC <input type="checkbox"/> US CUSTOMARY<br>WEIGHT: |  |

|  |       |         |       |
|--|-------|---------|-------|
| THIRD ANGLE PROJECTION   |       |         |       |
| SCALE: FULL  |       |         |       |
| DO NOT SCALE PRINT   |       |         |       |
| TOLERANCES   |       |         |       |
| APPLY TO DESIGN UNITS. CONCESSIONS ARE ONLY FOR REFERENCE, UNLESS NOTED. TOLERANCES ARE: |       |         |       |
| NO PLACES  | X     | 12.04   | X.1   |
| ONE PLACE  | X.1   | 0.40714 | X.1X  |
| TWO PLACES   | X.1X  | 0.15208 | X.1XX |
| THREE PLACES   | X.1XX | 0.15208 | X.1XX |
| ANGLES: ±Z   |       |         |       |

FIGURE 14A, TOP ROLLER LEVER HEAD WITH PIN ACTUATION

| CATALOG LISTING | CONTACT BLOCK DIAGRAM                     | NOMINAL TRAVELS AND RELATED TERMINALS<br>CONTACT CLOSED, CONTACT OPEN, CONTACT CLOSED<br>DIFFERENTIAL TRAVEL, ** POSITIVE OPENING TO IEC 947-5 | MAXIMUM OPERATING FORCE<br>LB | MAXIMUM DISCONNECT FORCE<br>LB | MAX OPERATE VEL<br>in/S | MIN OPERATE VEL<br>in/S | MAX OPERATE FREQUENCY<br>OPS/MIN |
|-----------------|---|--|-------------------------------|--------------------------------|-------------------------|-------------------------|----------------------------------|
| GL**02D         | SNAP - ACTION CONTACTS<br>SINGLE POLE<br> | <br>21-22<br>13-14<br>65.2<br>61<br>56.9**<br>52<br>1.7 DIFFERENTIAL TRAVEL  | 9.5<br>2.1                    | 12<br>2.7                      | 0.17<br>6.7             | 1.7<br>.067             | 250                              |

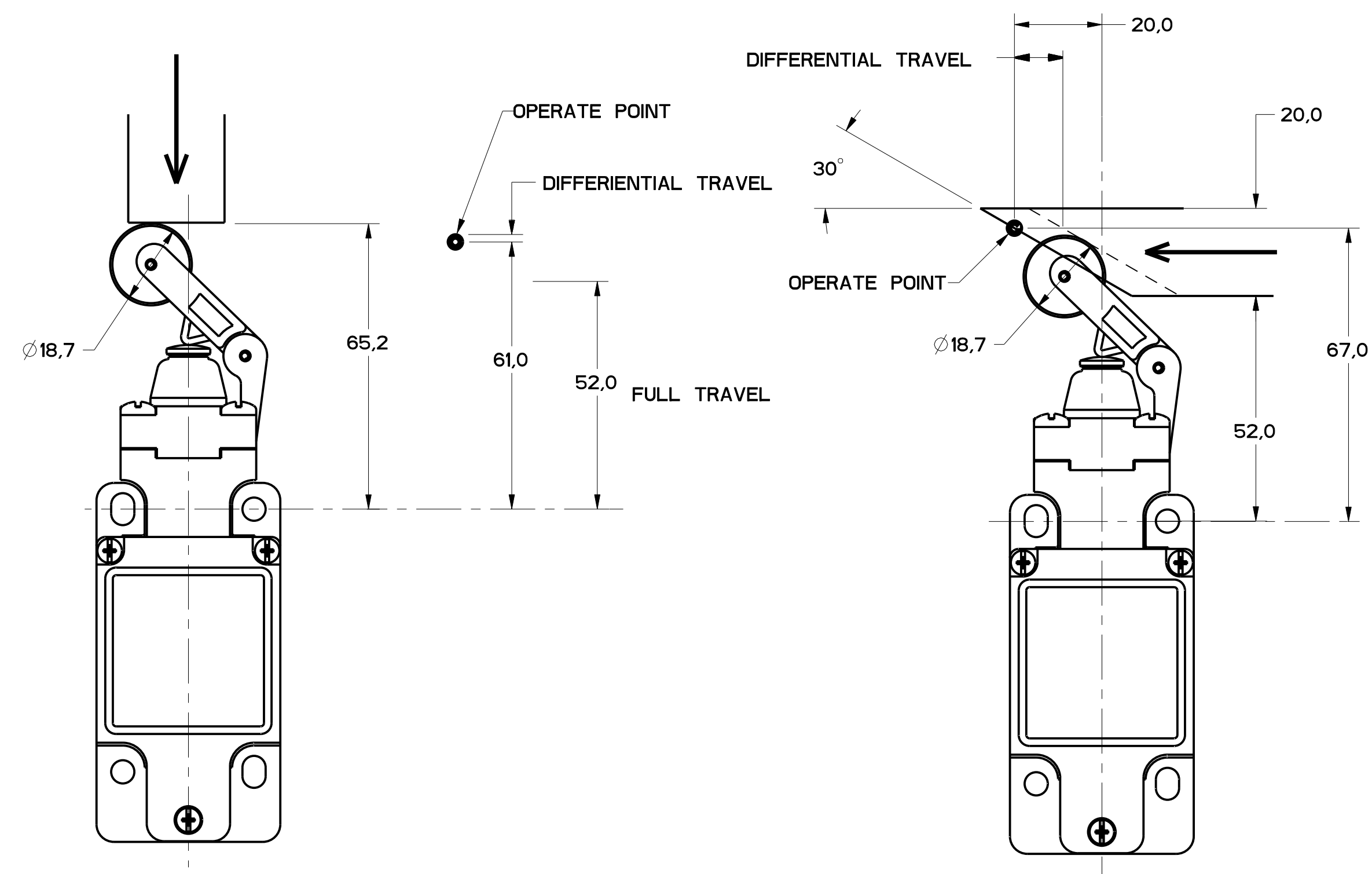


FIGURE 14A

FIGURE 14B

FIGURE 14B, TOP ROLLER LEVER HEAD WITH CAM ACTUATION

| CATALOG LISTING | CONTACT BLOCK DIAGRAM                     | NOMINAL TRAVELS AND RELATED TERMINALS<br>CONTACT CLOSED, CONTACT OPEN, CONTACT CLOSED<br>DIFFERENTIAL TRAVEL, ** POSITIVE OPENING TO IEC 947-5 | MAXIMUM OPERATING FORCE<br>LB | MAXIMUM DISCONNECT FORCE<br>LB | MAX OPERATE VEL<br>in/S | MIN OPERATE VEL<br>in/S | MAX OPERATE FREQUENCY<br>OPS/MIN |
|-----------------|---|--|-------------------------------|--------------------------------|-------------------------|-------------------------|----------------------------------|
| GL**02D         | SNAP - ACTION CONTACTS<br>SINGLE POLE<br> | <br>21-22<br>13-14<br>0<br>20<br>29.1**<br>4.1 DIFFERENTIAL TRAVEL   | 5.5<br>1.2                    | 7.0<br>1.6                     | 0.29<br>11.4            | 2.9<br>.11              | 250                              |

|    |     |
|----|-----|
| 11 | MDM |
| 12 | MDM |
| 13 | MDM |
| 14 | MDM |
| 15 | MDM |
| 16 | MDM |
| 17 | MDM |
| 18 | MDM |
| 19 | MDM |
| 20 | MDM |
| 21 | MDM |
| 22 | MDM |
| 23 | MDM |
| 24 | MDM |
| 25 | MDM |
| 26 | MDM |
| 27 | MDM |
| 28 | MDM |
| 29 | MDM |
| 30 | MDM |
| 31 | MDM |
| 32 | MDM |
| 33 | MDM |
| 34 | MDM |
| 35 | MDM |
| 36 | MDM |
| 37 | MDM |
| 38 | MDM |
| 39 | MDM |
| 40 | MDM |
| 41 | MDM |
| 42 | MDM |
| 43 | MDM |
| 44 | MDM |
| 45 | MDM |
| 46 | MDM |
| 47 | MDM |
| 48 | MDM |
| 49 | MDM |
| 50 | MDM |

THIS DRAWING COVERS A PROPRIETARY ITEM AND IS THE PROPERTY OF MICRO SWITCH, A DIVISION OF HONEYWELL. THIS DRAWING IS NOT TO BE COPIED OR USED WITHOUT THE APPROVAL OF MICRO SWITCH.

FED. MFG. CODE 91929

MICRO SWITCH  
a Honeywell Division

SWITCH, ENCLOSED

CATALOG LISTING  
GL SERIES CHART 2

|              |      |      |      |       |       |       |        |
|--------------|------|------|------|-------|-------|-------|--------|
| NO PLACES    | 1/16 | 1/32 | 1/64 | 1/128 | 1/256 | 1/512 | 1/1024 |
| ONE PLACE    | X.1  | X.2  | X.4  | X.8   | X.16  | X.32  | X.64   |
| TWO PLACES   | X.1  | X.2  | X.4  | X.8   | X.16  | X.32  | X.64   |
| THREE PLACES | X.1  | X.2  | X.4  | X.8   | X.16  | X.32  | X.64   |

DESIGN UNITS: SI METRIC [X] US CUSTOMARY [ ]

WEIGHT

FIGURE 15, CAT WISKER HEAD, ANGULAR ACTUATION

| CATALOG LISTING | CONTACT BLOCK DIAGRAM                  | NOMINAL TRAVELS AND RELATED TERMINALS<br>CONTACT CLOSED, CONTACT OPEN, DIFFERENTIAL TRAVEL | MAXIMUM OPERATING TORQUE<br>m<br>LB-IN | MAXIMUM DISCONNECT TORQUE<br>m<br>LB-IN | MAX OPERATE DEGREE/S | MIN OPERATE VELOCITY<br>DEGREE/S | MAX OPERATE RATE<br>CYCLES/MIN |
|-----------------|--|--|--|---|----------------------|----------------------------------|--------------------------------|
| GL**02K         | SNAP - ACTION CONTACTS SINGLE POLE<br> |  | $\frac{0.1}{.9}$                       | N/A                                     | 360                  | 8                                | 100                            |

FIGURE 15, CAT WISKER HEAD, SIDE ACTUATION AT 100mm

| CATALOG LISTING | CONTACT BLOCK DIAGRAM                  | NOMINAL TRAVELS AND RELATED TERMINALS<br>CONTACT CLOSED, CONTACT OPEN, DIFFERENTIAL TRAVEL | MAXIMUM OPERATING FORCE<br>LB | MAXIMUM DISCONNECT FORCE<br>LB | MAX OPERATE VEL<br>IN/S | MIN OPERATE VEL<br>IN/S | MAX OPERATE FREQUENCY<br>OPS/MIN |
|-----------------|--|--|-------------------------------|--------------------------------|-------------------------|-------------------------|----------------------------------|
| GL**02K         | SNAP - ACTION CONTACTS SINGLE POLE<br> |  | $\frac{1.3}{.3}$              | N/A                            | $\frac{.5}{19.7}$       | $\frac{11}{.43}$        | 100                              |

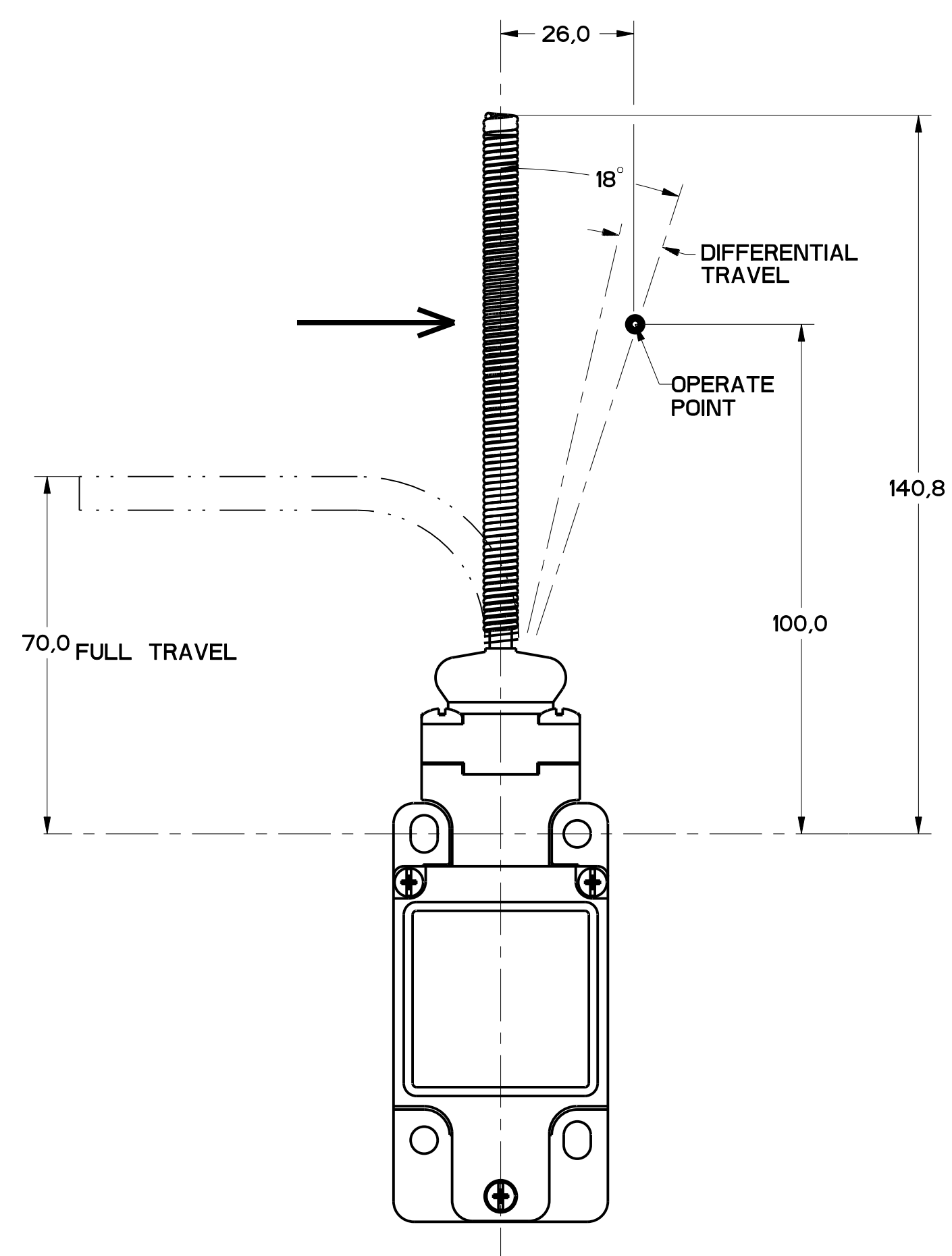


FIGURE 15

|    |                |     |       |
|----|----------------|-----|-------|
| 11 | ISSUE          | MDM | CHECK |
| 1  | DESIGNING      | MDM | CHECK |
| 2  | DRAWING NUMBER | MDM | CHECK |
| 3  | DATE           | MDM | CHECK |
| 4  | BY             | MDM | CHECK |
| 5  | DATE           | MDM | CHECK |
| 6  | BY             | MDM | CHECK |
| 7  | DATE           | MDM | CHECK |
| 8  | BY             | MDM | CHECK |
| 9  | DATE           | MDM | CHECK |
| 10 | BY             | MDM | CHECK |
| 11 | DATE           | MDM | CHECK |
| 12 | BY             | MDM | CHECK |
| 13 | DATE           | MDM | CHECK |
| 14 | BY             | MDM | CHECK |
| 15 | DATE           | MDM | CHECK |
| 16 | BY             | MDM | CHECK |
| 17 | DATE           | MDM | CHECK |
| 18 | BY             | MDM | CHECK |
| 19 | DATE           | MDM | CHECK |
| 20 | BY             | MDM | CHECK |
| 21 | DATE           | MDM | CHECK |
| 22 | BY             | MDM | CHECK |
| 23 | DATE           | MDM | CHECK |
| 24 | BY             | MDM | CHECK |
| 25 | DATE           | MDM | CHECK |
| 26 | BY             | MDM | CHECK |
| 27 | DATE           | MDM | CHECK |
| 28 | BY             | MDM | CHECK |
| 29 | DATE           | MDM | CHECK |
| 30 | BY             | MDM | CHECK |
| 31 | DATE           | MDM | CHECK |
| 32 | BY             | MDM | CHECK |
| 33 | DATE           | MDM | CHECK |
| 34 | BY             | MDM | CHECK |
| 35 | DATE           | MDM | CHECK |
| 36 | BY             | MDM | CHECK |
| 37 | DATE           | MDM | CHECK |
| 38 | BY             | MDM | CHECK |
| 39 | DATE           | MDM | CHECK |
| 40 | BY             | MDM | CHECK |
| 41 | DATE           | MDM | CHECK |
| 42 | BY             | MDM | CHECK |
| 43 | DATE           | MDM | CHECK |
| 44 | BY             | MDM | CHECK |
| 45 | DATE           | MDM | CHECK |
| 46 | BY             | MDM | CHECK |
| 47 | DATE           | MDM | CHECK |
| 48 | BY             | MDM | CHECK |
| 49 | DATE           | MDM | CHECK |
| 50 | BY             | MDM | CHECK |

THIS DRAWING COVERS A PROPRIETARY ITEM AND IS THE PROPERTY OF MICRO SWITCH, A DIVISION OF HONEYWELL. THIS DRAWING IS NOT TO BE COPIED OR USED WITHOUT THE APPROVAL OF MICRO SWITCH.

FED. MFG. CODE 91929

**MICRO SWITCH**  
a Honeywell Division

SWITCH, ENCLOSED

CATALOG LISTING  
**GL SERIES CHART 2**

|              |      |      |      |      |
|--------------|------|------|------|------|
| NO PLACES    | ±.04 | ±.04 | ±.04 | ±.04 |
| TWO PLACES   | ±.04 | ±.04 | ±.04 | ±.04 |
| THREE PLACES | ±.04 | ±.04 | ±.04 | ±.04 |
| ANGLES       | ±.04 | ±.04 | ±.04 | ±.04 |

DESIGN UNITS:  SI METRIC  US CUSTOMARY

WEIGHT





Компания «ЭлектроПласт» предлагает заключение долгосрочных отношений при поставках импортных электронных компонентов на взаимовыгодных условиях!

Наши преимущества:

- Оперативные поставки широкого спектра электронных компонентов отечественного и импортного производства напрямую от производителей и с крупнейших мировых складов;
- Поставка более 17-ти миллионов наименований электронных компонентов;
- Поставка сложных, дефицитных, либо снятых с производства позиций;
- Оперативные сроки поставки под заказ (от 5 рабочих дней);
- Экспресс доставка в любую точку России;
- Техническая поддержка проекта, помощь в подборе аналогов, поставка прототипов;
- Система менеджмента качества сертифицирована по Международному стандарту ISO 9001;
- Лицензия ФСБ на осуществление работ с использованием сведений, составляющих государственную тайну;
- Поставка специализированных компонентов (Xilinx, Altera, Analog Devices, Intersil, Interpoint, Microsemi, Aeroflex, Peregrine, Syfer, Eurofarad, Texas Instrument, Miteq, Cobham, E2V, MA-COM, Hittite, Mini-Circuits, General Dynamics и др.);

Помимо этого, одним из направлений компании «ЭлектроПласт» является направление «Источники питания». Мы предлагаем Вам помощь Конструкторского отдела:

- Подбор оптимального решения, техническое обоснование при выборе компонента;
- Подбор аналогов;
- Консультации по применению компонента;
- Поставка образцов и прототипов;
- Техническая поддержка проекта;
- Защита от снятия компонента с производства.



#### Как с нами связаться

**Телефон:** 8 (812) 309 58 32 (многоканальный)

**Факс:** 8 (812) 320-02-42

**Электронная почта:** [org@eplast1.ru](mailto:org@eplast1.ru)

**Адрес:** 198099, г. Санкт-Петербург, ул. Калинина, дом 2, корпус 4, литера А.