

SIDE ROTARY

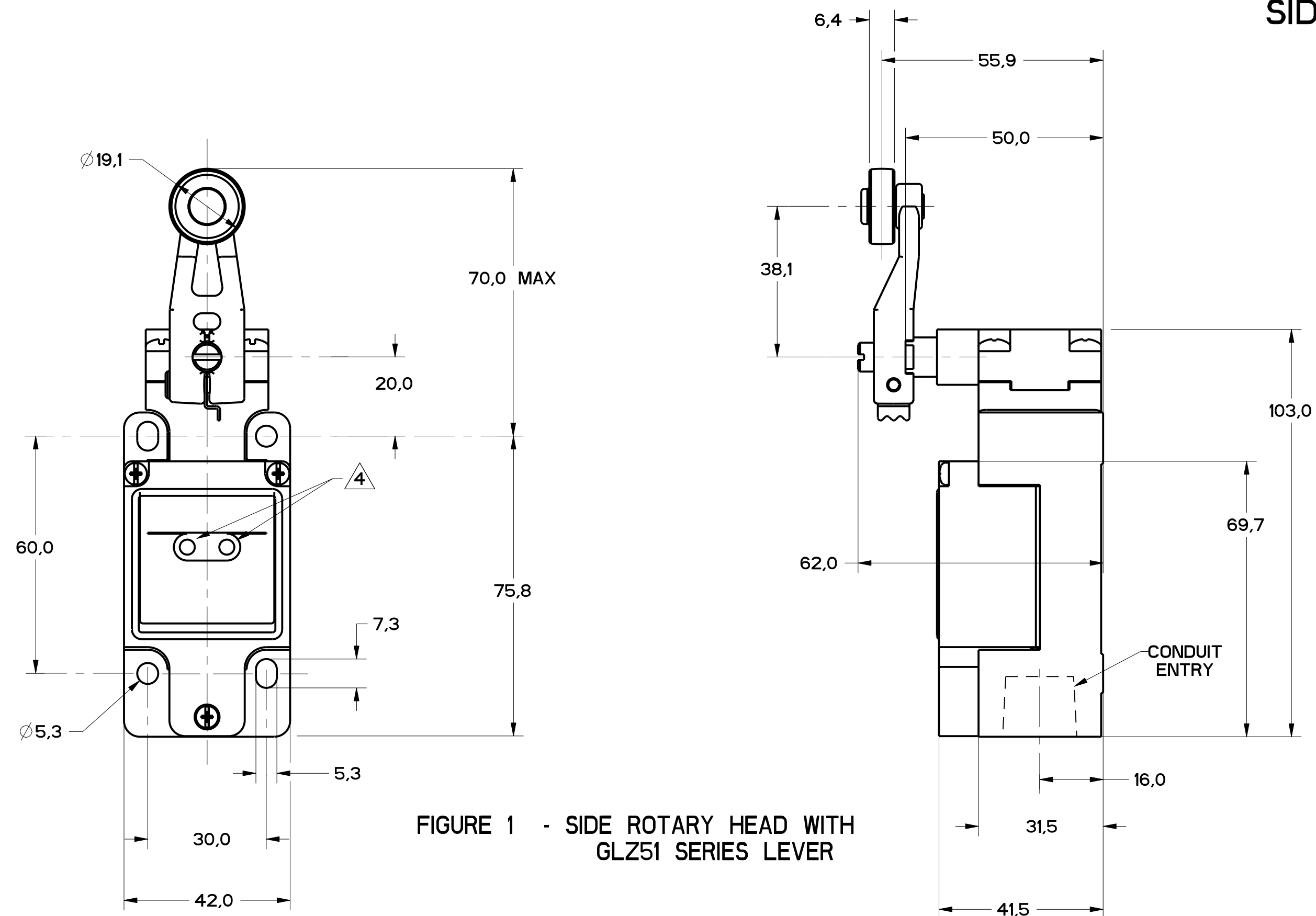


FIGURE 1 - SIDE ROTARY HEAD WITH GLZ51 SERIES LEVER

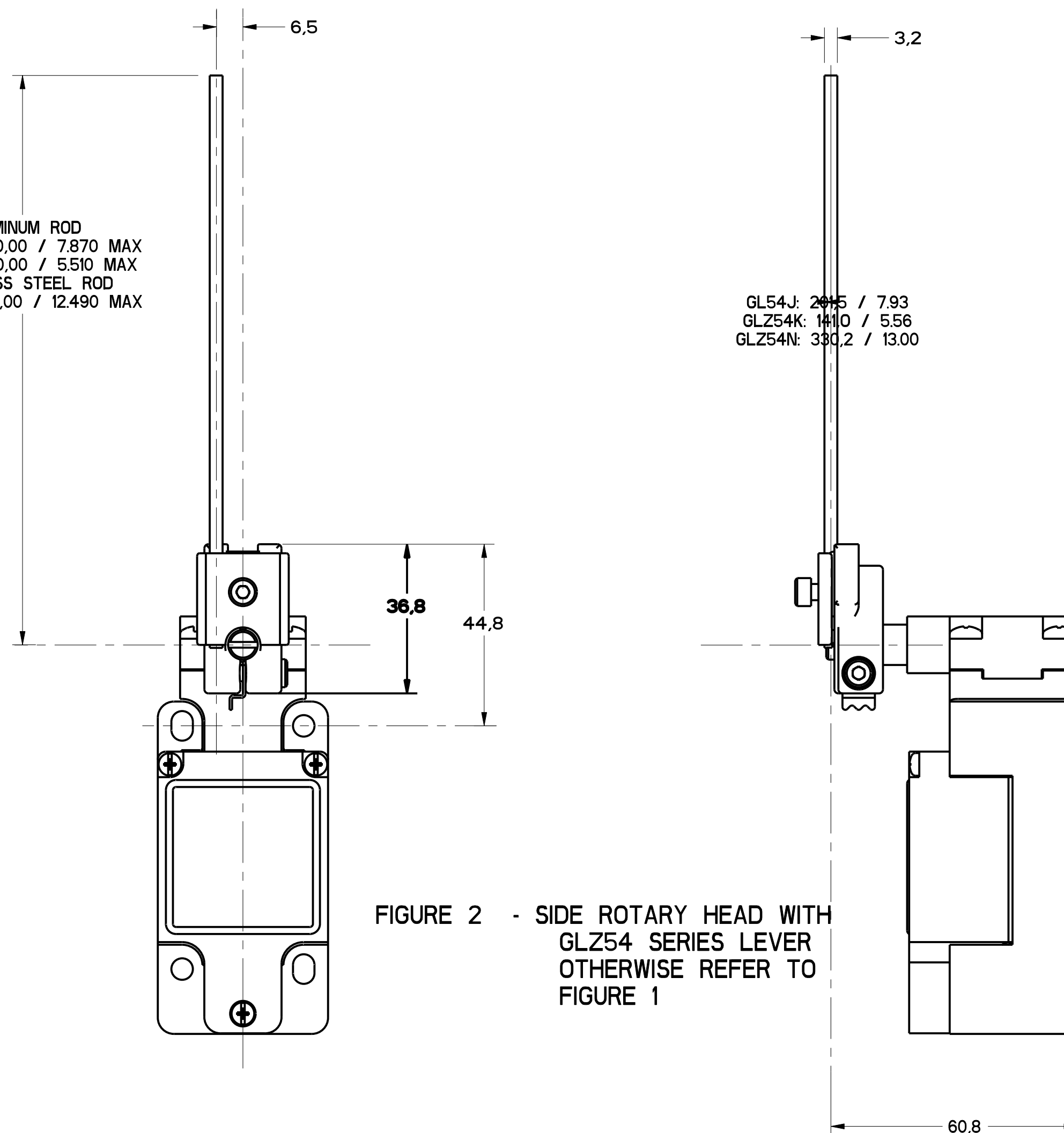


FIGURE 2 - SIDE ROTARY HEAD WITH GLZ54 SERIES LEVER OTHERWISE REFER TO FIGURE 1

| FIGURE | CATALOG LISTING | CONDUIT ENTRY |
|--------|-----------------|---------------|
| 1A | GL*A SERIES | 1/2-14 NPT |
| 1B | GL*B SERIES | PG13.5 |
| 1C | GL*C SERIES | 20mm |
| 1D | GL*D SERIES | PF1/2 |

| ELECTRICAL RATING $\Delta 5$ | | | |
|------------------------------|------------|------------|------------|
| AC | | DC | |
| A600 Ue | AC15 Ie | O300 Ue | DC13 Ie |
| (VOLTS) | (AMPS) | (VOLTS) | (AMPS) |
| 120 | 6 | 24 | 2.8 |
| 240 | 3 | 125 | .55 |
| 380 | 1.9 | 250 | .27 |
| 480 | 1.5 | | |
| 500 | 1.4 | | |
| 600 | 1.2 | | |

| ENVIRONMENTAL RATING | |
|----------------------------|--|
| IP67 | |
| NEMA/UL TYPES 1, 4, 12, 13 | |

- NOTES
- HEADS MAY BE INDEXED IN 90° INCREMENTS
 - LEVERS MAY BE KEYED TO THE SHAFT AT 90° INCREMENTS. THEY MAY ALSO BE ATTACHED, BUT NOT KEYED ANYWHERE ON THE SHAFT.
 - FOR ADDITIONAL LEVERS SEE "M" DRAWING CHART GLZ5
 - THE RIGHT INDICATOR IS YELLOW AND INDICATES "OUTPUT STATUS" IT IS ON GLG SERIES PRODUCTS ONLY.
 - THE MAXIMUM VOLTAGE, V_e OF GLG SERIES PRODUCTS IS THE MAXIMUM RATED VOLTAGE OF INDICATION LIGHTS
 - FREE POSITION, OPERATE POINT, OVERTRAVEL AND PRETRAVEL ALL TO EN50041
 - CAM TRAVEL FOR FIG 9 ONLY APPLIES WHEN LEVER IS ADJUSTED TO 38.1 / 1.50
 - TEMPERATURE RANGE
 (ALL PRODUCTS EXCEPT W/SIDE ROTARY OPERATING HEAD)
 OPERATING: -25°C TO +85°C / -13°F TO +185°F
 STORAGE: -40°C TO +85°C / -40°F TO +185°F
 (PRODUCTS W/SIDE ROTARY OPERATING HEAD)
 OPERATING: -40°C TO +85°C / -40°F TO +185°F
 STORAGE: -40°C TO +85°C / -40°F TO +185°F

| CATALOG LISTING | BODY DIMENSIONS, FIGURE | HEAD DIMENSIONS, FIGURE | HEAD ACTUATION, FIGURE |
|-----------------|-------------------------|-------------------------|------------------------|
| GLB*** | I | N/A | N/A |
| GLG*** | I | N/A | N/A |
| GLJ*** | I | N/A | N/A |
| GLA*** | 1A | N/A | N/A |
| GLB*** | 1B | N/A | N/A |
| GLC*** | 1C | N/A | N/A |
| GLD*** | 1D | N/A | N/A |
| GL***A1* | I | 1 | 8 |
| GL***A2* | I | 3 | 9 |
| GL***A4* | I | 2 | 10 |
| GL***A5* | I | | 8 |
| GL***B | I | 4 | 11 |
| GL***C | I | 5 | 13A, 13B |
| GL***D | I | 6 | 14A, 14B |
| GL***E7A | I | 7A | 12 |
| GL***E7B | I | 7 | 12 |
| GL***E7C | I | 7E | 12 |
| GL***E7D | I | 7B | 12 |
| GL***K8A | I | 7C | 15 |
| GL***K8B | I | 7D | 15 |
| GL***K8C | I | 7 | 15 |

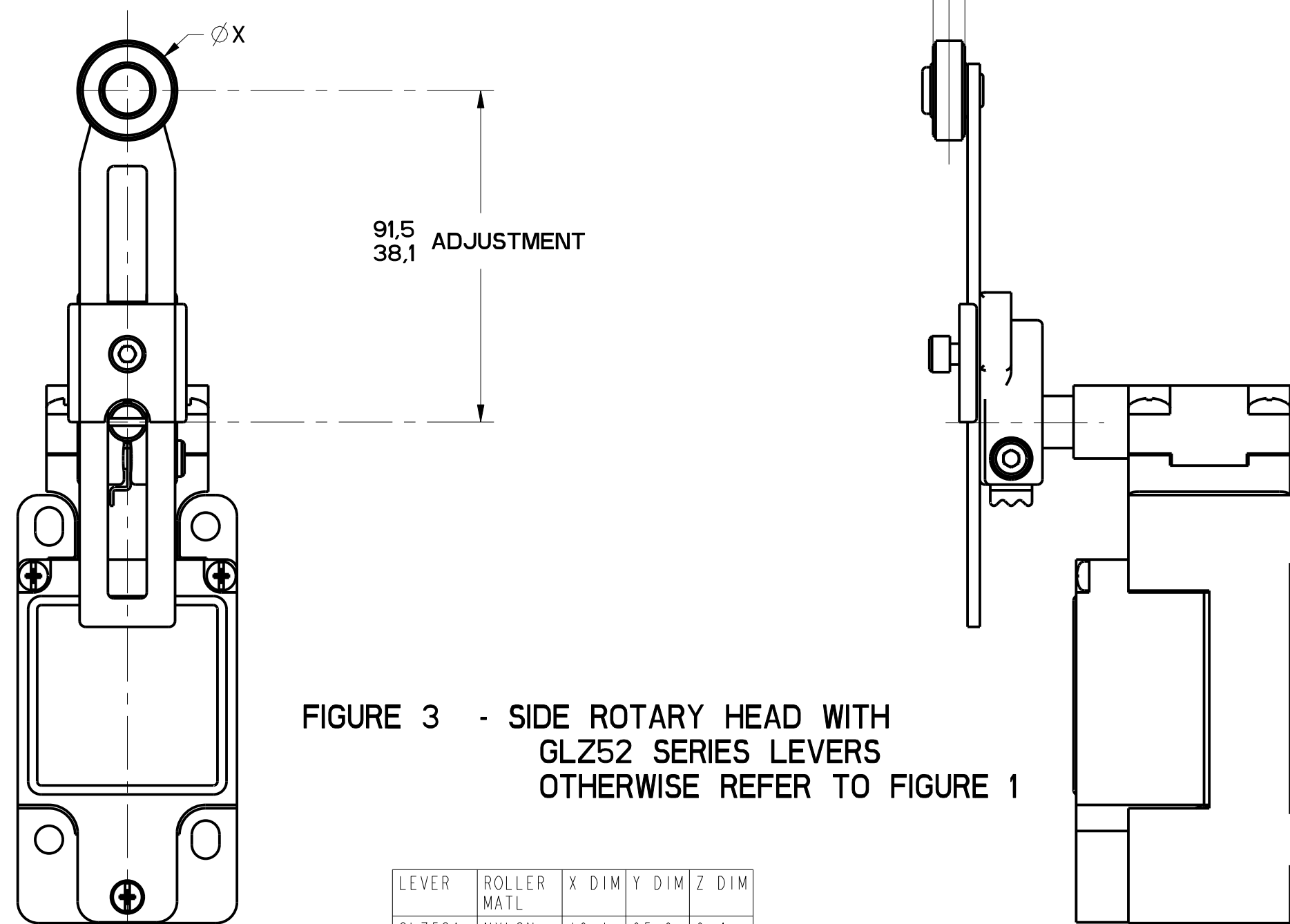


FIGURE 3 - SIDE ROTARY HEAD WITH GLZ52 SERIES LEVERS OTHERWISE REFER TO FIGURE 1

| LEVER | ROLLER MATL | X DIM | Y DIM | Z DIM |
|--------|-------------|-------------|----------------|----------------|
| GLZ52A | NYLON | 19.1 .75 | 65.9 2.59 | 6.4 .25 |
| GLZ52B | STEEL | 19.1 .75 | 65.9 2.59 | 6.4 .25 |
| GLZ52D | NYLON | 38.1 1.5 | 65.9 2.59 | 6.4 .25 |
| GLZ52E | NYLON | 19.1 .75 | 79.37 3.125 | 33.07 1.300 |
| GLZ52W | RUBBER | 40.0 1.5 | 71.5 2.81 | 12.7 .5 |
| GLZ52Y | RUBBER | 50.9 2.0 | 71.5 2.81 | 12.7 .5 |

MGL SERIES CHART 2
 DRAWING NUMBER: 11
 CHECKED: MDM
 RELEASE NO. PR-20782
 DATE: 28 MARCH 98
 PTC/CAD
 S. A. V. 28MARCH98

THIS DRAWING COVERS A PROPRIETARY ITEM AND IS THE PROPERTY OF MICRO SWITCH, A DIVISION OF HONEYWELL. THIS DRAWING IS NOT TO BE COPIED OR USED WITHOUT THE APPROVAL OF MICRO SWITCH.

FED. MFG. CODE 91929

MICRO SWITCH
a Honeywell Division

SWITCH, ENCLOSED

CATALOG LISTING
GL SERIES CHART 2

THIRD ANGLE PROJECTION

SCALE: FULL

DO NOT SCALE PRINT

TOLERANCES

APPLY TO DESIGN UNITS. CONVERSIONS ARE ONLY FOR REFERENCE. UNLESS NOTED, TOLERANCES ARE:

| NO. PLACES | SI METRIC | US CUSTOMARY |
|--------------|-----------|--------------|
| TWO PLACES | ±0.02 | ±0.0005 |
| THREE PLACES | ±0.015 | ±0.0005 |
| ANGLES | ±0.1° | ±0.0015" |

DESIGN UNITS: SI METRIC US CUSTOMARY

WEIGHT

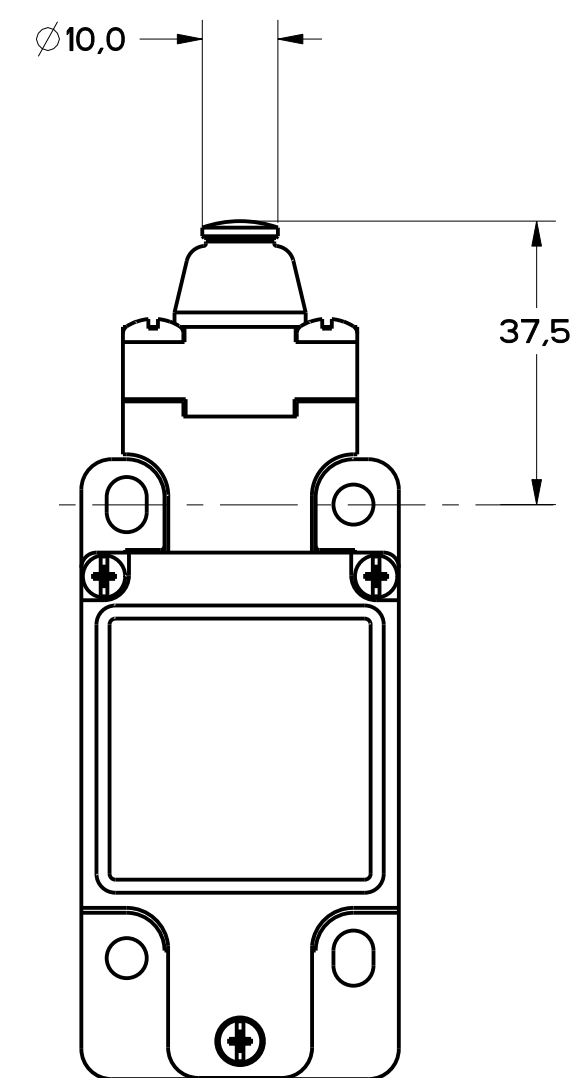


FIGURE 4 - TOP PIN PLUNGER HEAD
OTHERWISE REFER TO
FIGURE 1

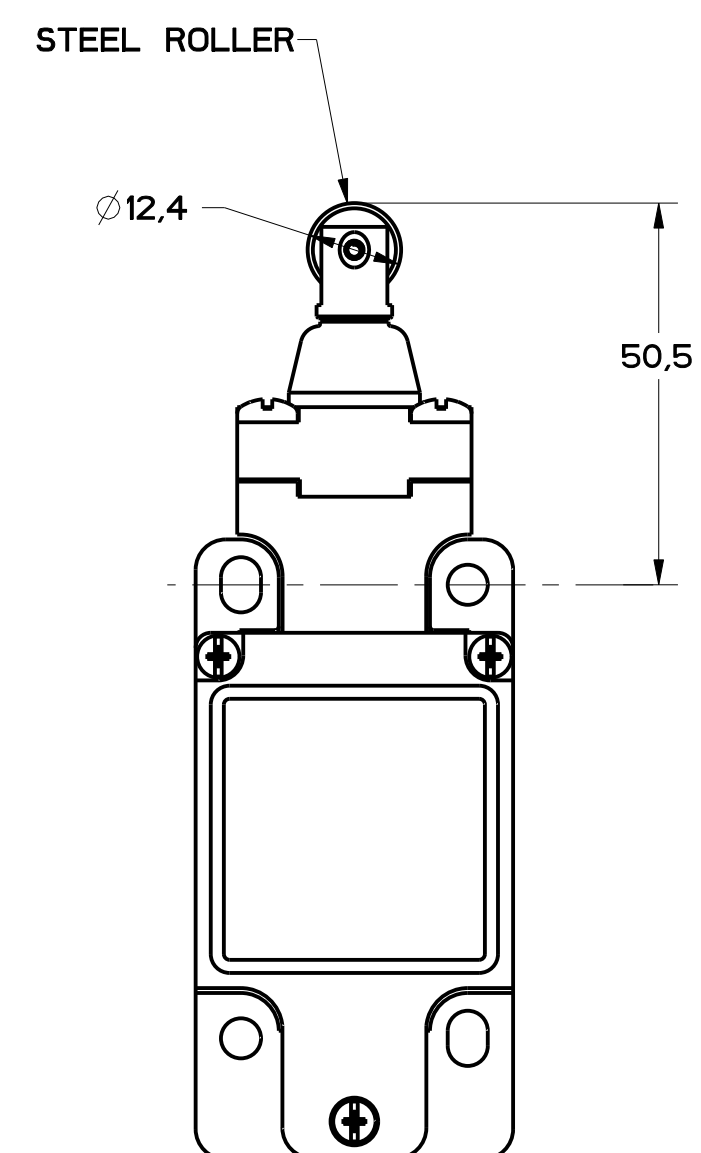
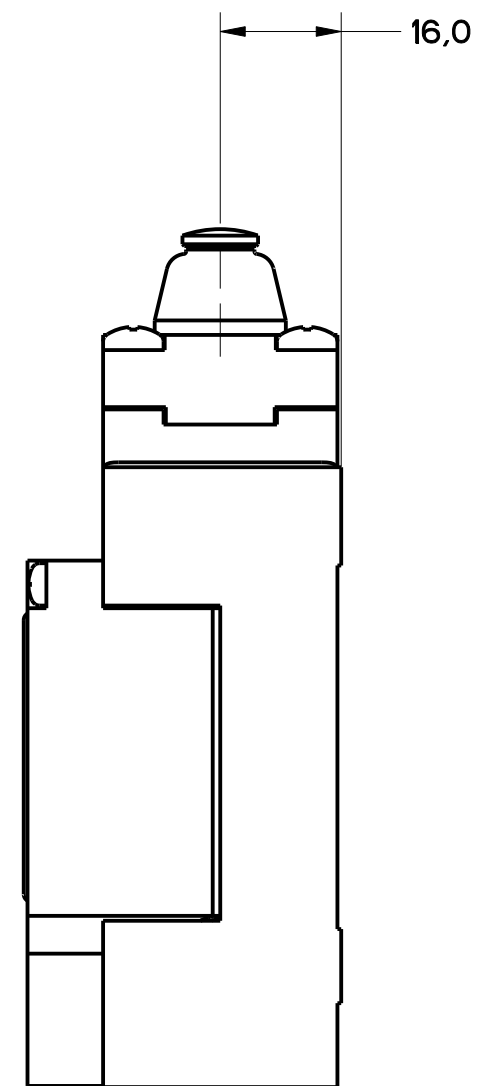


FIGURE 5 - TOP ROLLER PLUNGER HEAD
OTHERWISE REFER TO
FIGURE 1

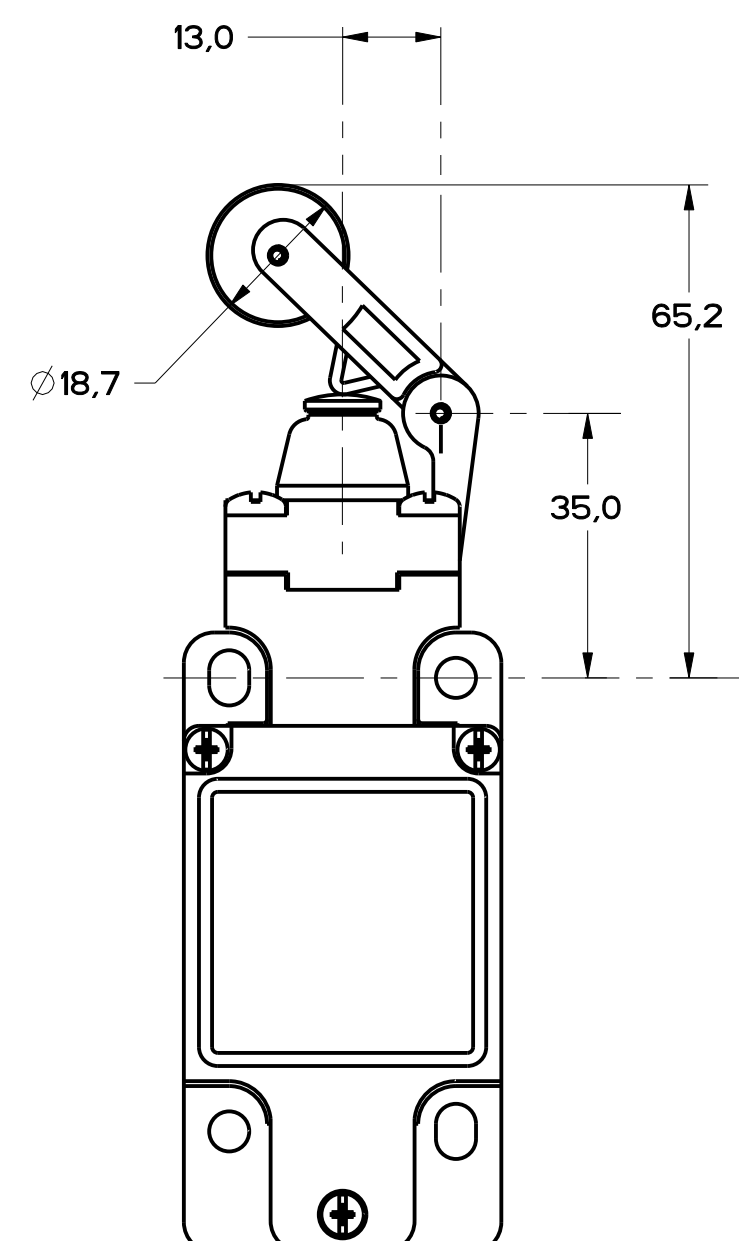
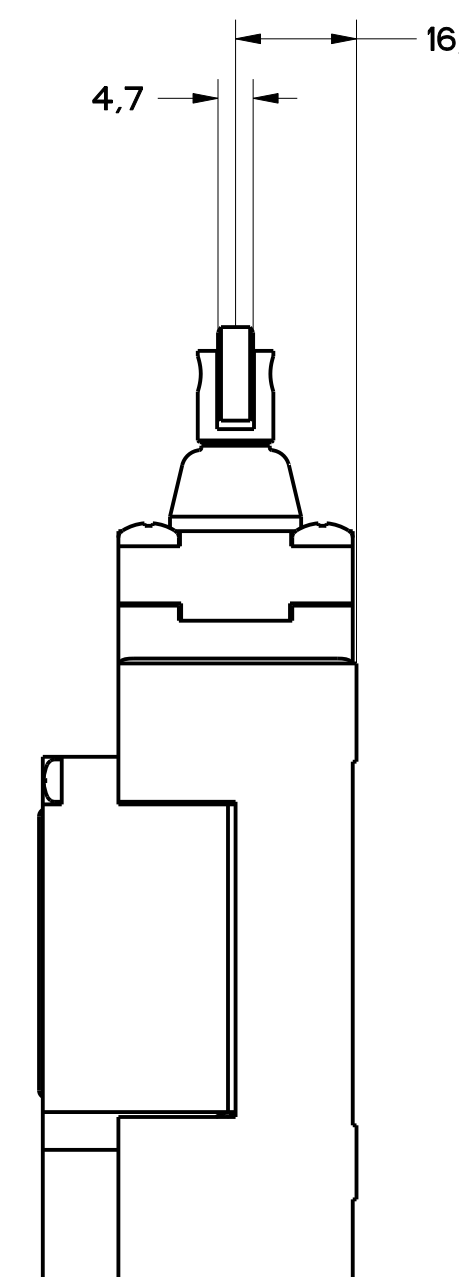
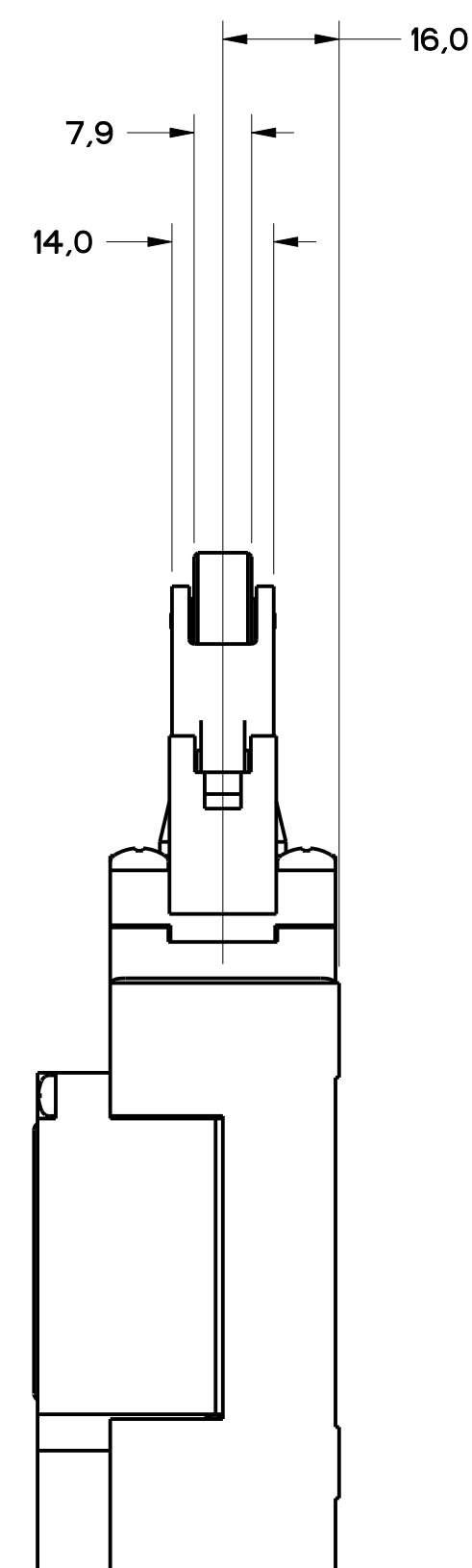


FIGURE 6 - TOP LEVER HEAD,
OTHERWISE REFER TO
FIGURE 1



MBL SERIES CHART 2
 DRAWING NUMBER: 11
 PAGE 1 OF 8
 RELEASE NO. PR-20782
 REVISIONS: 11
 CHECK: MDM
 DATE: 12/20/82
 CHECK: R...
 DATE: 01/15/83
 CHECK: WLS
 DATE: 02/26/85

P.T.C./CAD
 WLS
 DATE: 02/26/85

THIS DRAWING COVERS A PROPRIETARY ITEM AND IS THE PROPERTY OF MICRO SWITCH, A DIVISION OF HONEYWELL. THIS DRAWING IS NOT TO BE COPIED OR USED WITHOUT THE APPROVAL OF MICRO SWITCH.

FED. MFG. CODE 91929 CATALOG LISTING

MICRO SWITCH
a Honeywell Division

SWITCH, ENCLOSED

GL SERIES CHART 2

| | | | |
|--|---|---------------------------------------|---------|
| THIRD ANGLE PROJECTION | | | |
| SCALE FULL | | | |
| DO NOT SCALE PRINT | | | |
| TOLERANCES | | | |
| APPLY TO DESIGN UNITS. CONVERSIONS ARE ONLY FOR REFERENCE, UNLESS NOTED. TOLERANCES ARE: | | | |
| | SI | US | US |
| NO PLACES | ±0.04 | ±0.0015 | ±0.0015 |
| ONE PLACE | ±0.05 | ±0.002 | ±0.002 |
| TWO PLACES | ±0.005 | ±0.0005 | ±0.0005 |
| THREE PLACES | ±0.0005 | ±0.0001 | ±0.0001 |
| ANGLES | ±2' | | |
| DESIGN UNITS | <input checked="" type="checkbox"/> SI METRIC | <input type="checkbox"/> US CUSTOMARY | |
| WEIGHT | | | |

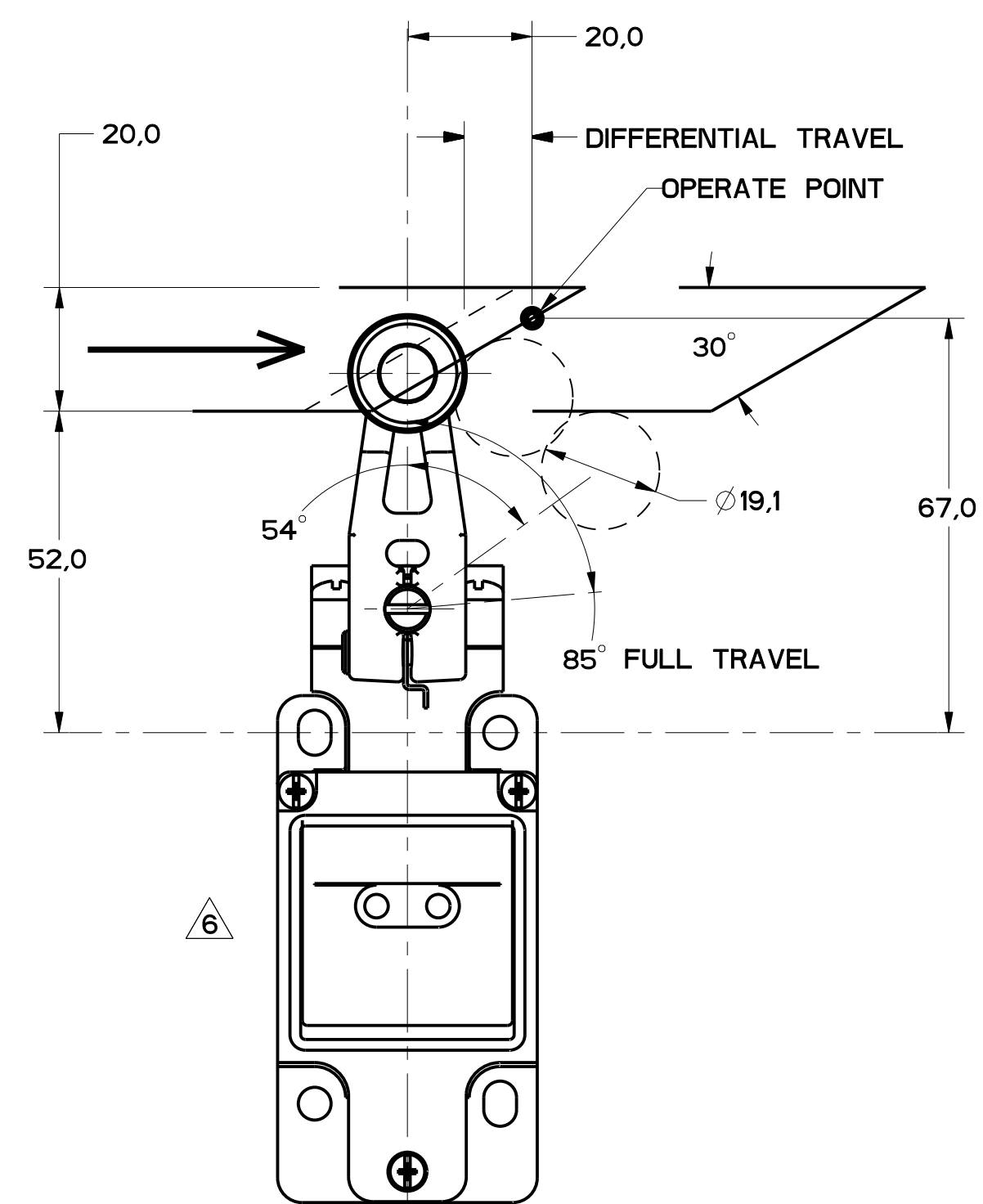


FIGURE 8

GLZ54J: 200.00 / 7.870 MAX
GLZ54K: 140.00 / 5.510 MAX
ALUMINUM ROD

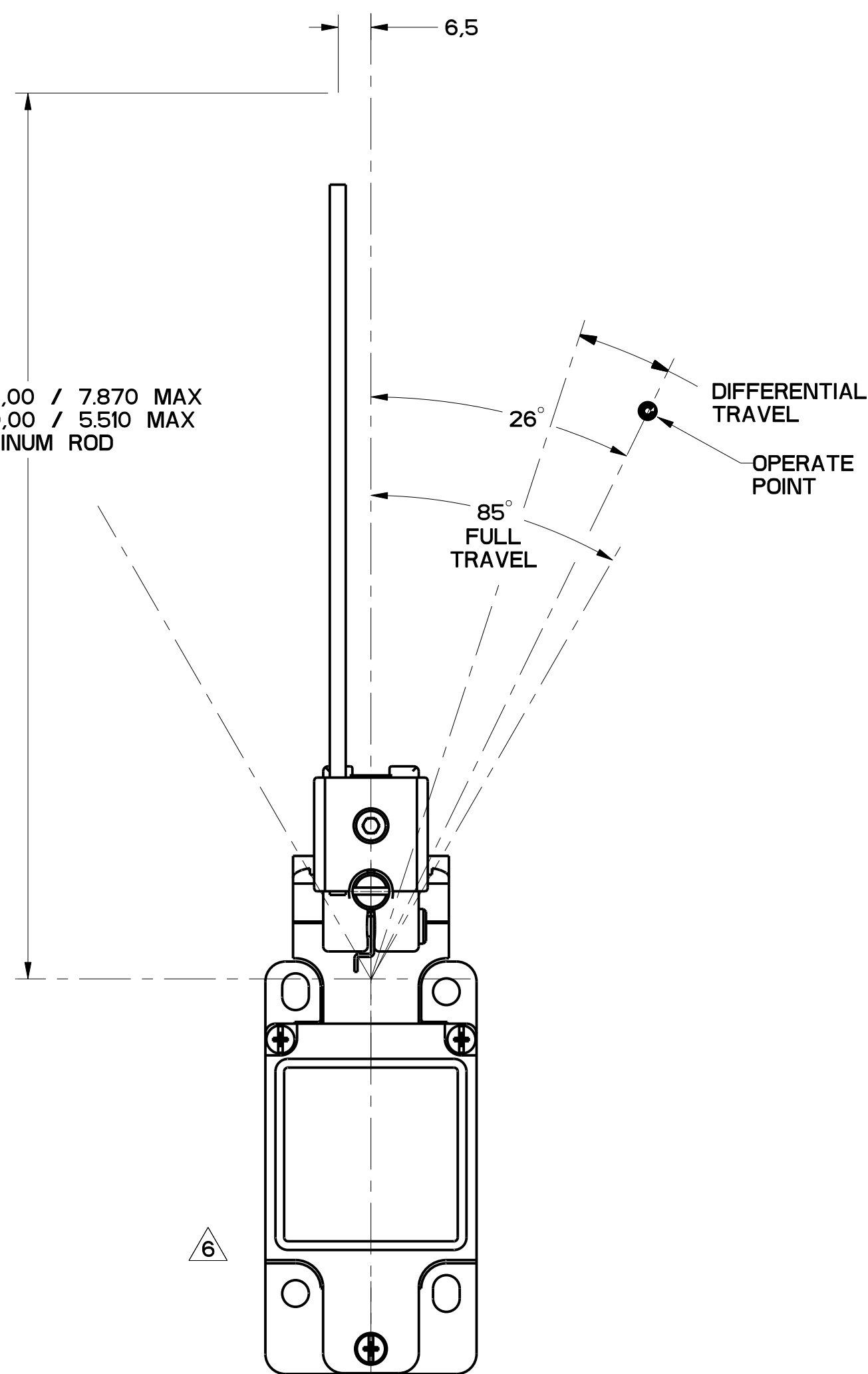


FIGURE 10

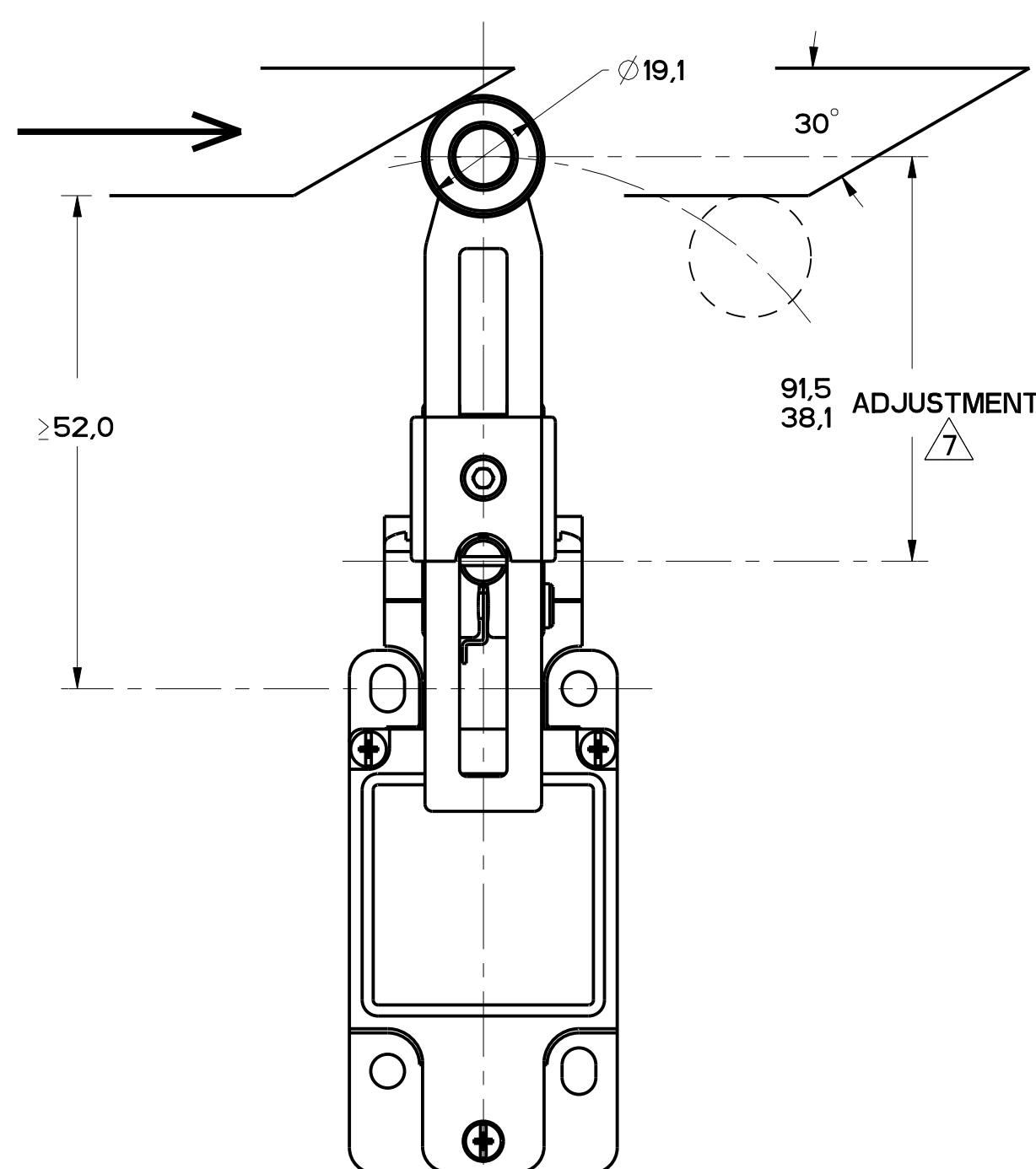


FIGURE 9

FIGURES 8, 9, 10 ANGULAR ACTUATION

| CATALOG LISTING | CONTACT BLOCK DIAGRAM | NOMINAL TRAVELS AND RELATED TERMINALS CONTACT CLOSED, CONTACT OPEN, CONTACT CLOSED DIFFERENTIAL TRAVEL, ** POSITIVE OPENING TO IEC 947-5 | MAXIMUM OPERATING TORQUE LB-IN | MAXIMUM DISCONNECT TORQUE LB-IN | MAX OPERATE DEGREE/S | MIN OPERATE DEGREE/S | MAX OPERATE FREQUENCY OPS/MIN |
|-----------------|--|--|-----------------------------------|------------------------------------|----------------------|----------------------|-------------------------------|
| GL**02A* | SNAP - ACTION CONTACTS SINGLE POLE | 21-22 26° 55**° 85° 13-14 12° DIFFERENTIAL TRAVEL | .330 2.9 | .385 3.4 | 1290 | 13 | 250 |

CAM ACTUATION PER EN50041, FIGURES 8 AND 9

| CATALOG LISTING | CONTACT BLOCK DIAGRAM | NOMINAL TRAVELS AND RELATED TERMINALS CONTACT CLOSED, CONTACT OPEN, CONTACT CLOSED DIFFERENTIAL TRAVEL, ** POSITIVE OPENING TO IEC 947-5 DIMENSIONS IN mm | MAXIMUM OPERATING FORCE LB | MAXIMUM DISCONNECT FORCE LB | MAX OPERATE VEL IN/S | MIN OPERATE VEL IN/S | MAX OPERATE FREQUENCY OPS/MIN |
|-----------------|--|--|-------------------------------|--------------------------------|-------------------------|-------------------------|-------------------------------|
| GL**02A* | SNAP - ACTION CONTACTS SINGLE POLE | 21-22 0 20 56** 13-14 12 DIFFERENTIAL TRAVEL | 9.7 2.2 | 11.4 2.6 | .85 33.5 | 8.5 .33 | 250 |

| | | |
|----|----------|-----|
| 11 | ISSUE | MDM |
| A | PR 21663 | |
| B | ZOMAD96 | |
| C | CO-93189 | |
| D | 280138 | |
| E | 000040 | |
| F | 21003 | |
| G | 0002886 | |
| H | 281404 | |
| I | 0017532 | |
| J | 0006005 | |

THIS DRAWING COVERS A PROPRIETARY ITEM AND IS THE PROPERTY OF MICRO SWITCH, A DIVISION OF HONEYWELL. THIS DRAWING IS NOT TO BE COPIED OR USED WITHOUT THE APPROVAL OF MICRO SWITCH.

FED. MFG. CODE 91929

CATALOG LISTING

MICRO SWITCH
a Honeywell Division

SWITCH, ENCLOSED

GL SERIES CHART 2

THIRD ANGLE PROJECTION

SCALE FULL

DO NOT SCALE PRINT

TOLERANCES
APPLY TO DESIGN UNITS. CONCESSIONS ARE ONLY FOR REFERENCE, UNLESS NOTED. TOLERANCES ARE:

| | | | | |
|--------------|-------|------------|-------|------------|
| NO PLACES | X | 12.04 | X.1 | 0.01, 0.05 |
| ONE PLACE | X.1 | 0.40, 0.16 | X.1X | 0.30, 0.15 |
| TWO PLACES | X.1X | 0.15, 0.06 | X.1XX | 0.13, 0.05 |
| THREE PLACES | X.1XX | | | |

DESIGN UNITS: SI METRIC US CUSTOMARY

WEIGHT

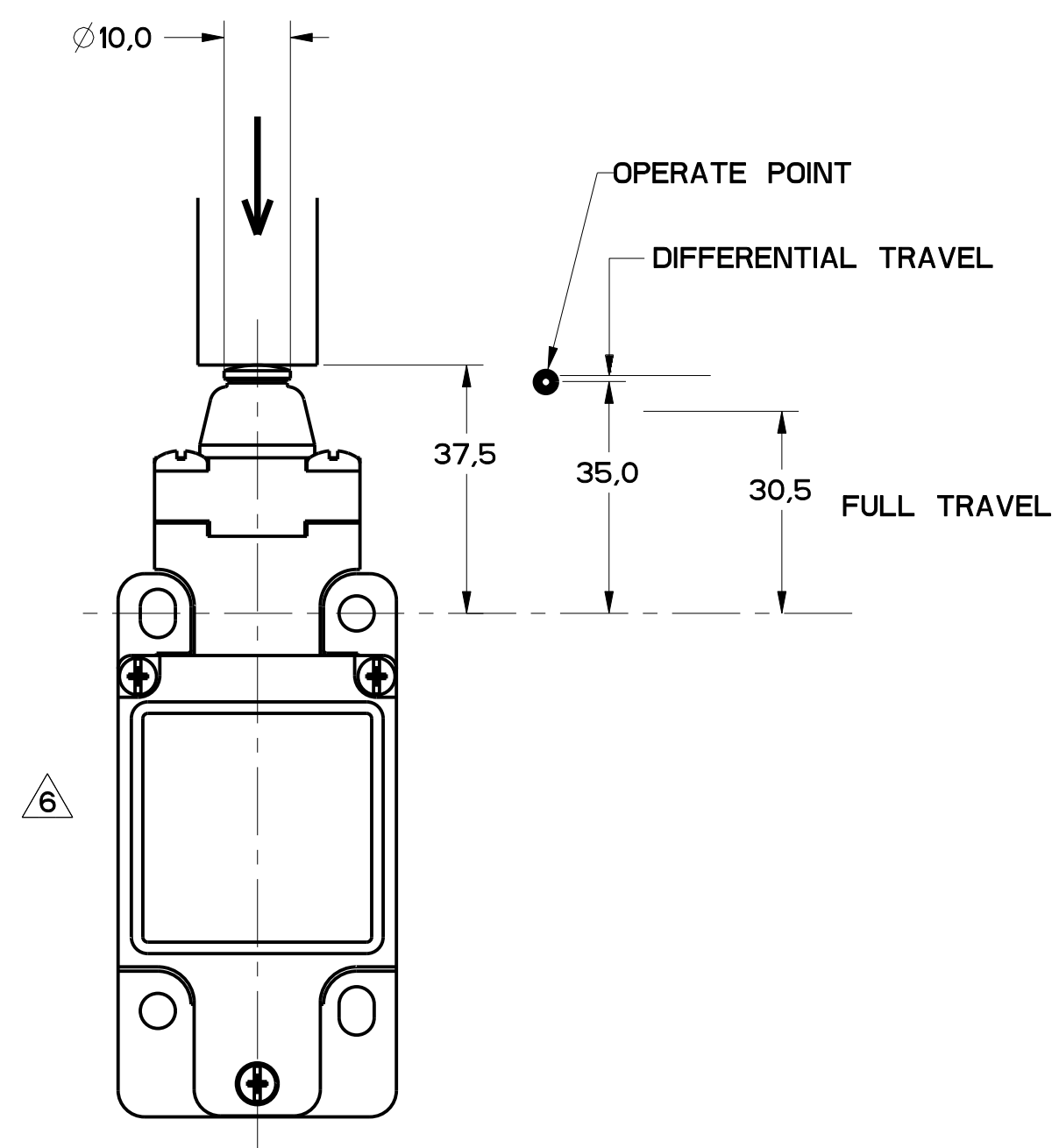


FIGURE 11

| FIGURES 11, PIN PLUNGER HEAD, LINEAR ACTUATION | | | | | | | |
|--|---|--|------------------------------------|-------------------------------------|--------------------------------|--------------------------------|----------------------------------|
| CATALOG LISTING | CONTACT BLOCK DIAGRAM | NOMINAL TRAVELS AND RELATED TERMINALS CONTACT CLOSED, CONTACT OPEN, CONTACT CLOSED DIFFERENTIAL TRAVEL, ** POSITIVE OPENING TO IEC 947-5-1 | MAXIMUM OPERATING FORCE N LB | MAXIMUM DISCONNECT FORCE N LB | MAX OPERATE VEL m/s in/s | MIN OPERATE VEL m/s in/s | MAX OPERATE FREQUENCY OPS/MIN |
| GL**02B | SNAP - ACTION CONTACTS SINGLE POLE | | 16 3.6 | 27 6.0 | 0.1 3.9 | 1.0 .04 | 250 |

FIGURE 12, WOBBLE HEAD, ANGULAR ACTUATION

| FIGURE 12, WOBBLE HEAD, ANGULAR ACTUATION | | | | | | | |
|---|---|--|--|---|----------------------|----------------------------------|--------------------------------|
| CATALOG LISTING | CONTACT BLOCK DIAGRAM | NOMINAL TRAVELS AND RELATED TERMINALS CONTACT CLOSED, CONTACT OPEN, CONTACT CLOSED DIFFERENTIAL TRAVEL, ** POSITIVE OPENING TO IEC 947-5-1 | MAXIMUM OPERATING TORQUE N·m LB/in | MAXIMUM DISCONNECT TORQUE N·m LB/in | MAX OPERATE DEGREE/S | MIN OPERATE VELOCITY DEGREE/S | MAX OPERATE RATE CYCLES/MIN |
| GL**02E | SNAP - ACTION CONTACTS SINGLE POLE | | 0.2 1.8 | N/A | 360 | 8 | 100 |

FIGURE 12, WOBBLE HEAD, SIDE ACTUATION AT 100mm

| FIGURE 12, WOBBLE HEAD, SIDE ACTUATION AT 100mm | | | | | | | |
|---|---|--|------------------------------------|-------------------------------------|--------------------------------|--------------------------------|----------------------------------|
| CATALOG LISTING | CONTACT BLOCK DIAGRAM | NOMINAL TRAVELS AND RELATED TERMINALS CONTACT CLOSED, CONTACT OPEN, CONTACT CLOSED DIFFERENTIAL TRAVEL, ** POSITIVE OPENING TO IEC 947-5-1 | MAXIMUM OPERATING FORCE N LB | MAXIMUM DISCONNECT FORCE N LB | MAX OPERATE VEL m/s in/s | MIN OPERATE VEL m/s in/s | MAX OPERATE FREQUENCY OPS/MIN |
| GL**02E | SNAP - ACTION CONTACTS SINGLE POLE | | 2.5 0.6 | N/A | .5 19.7 | 11 .43 | 100 |

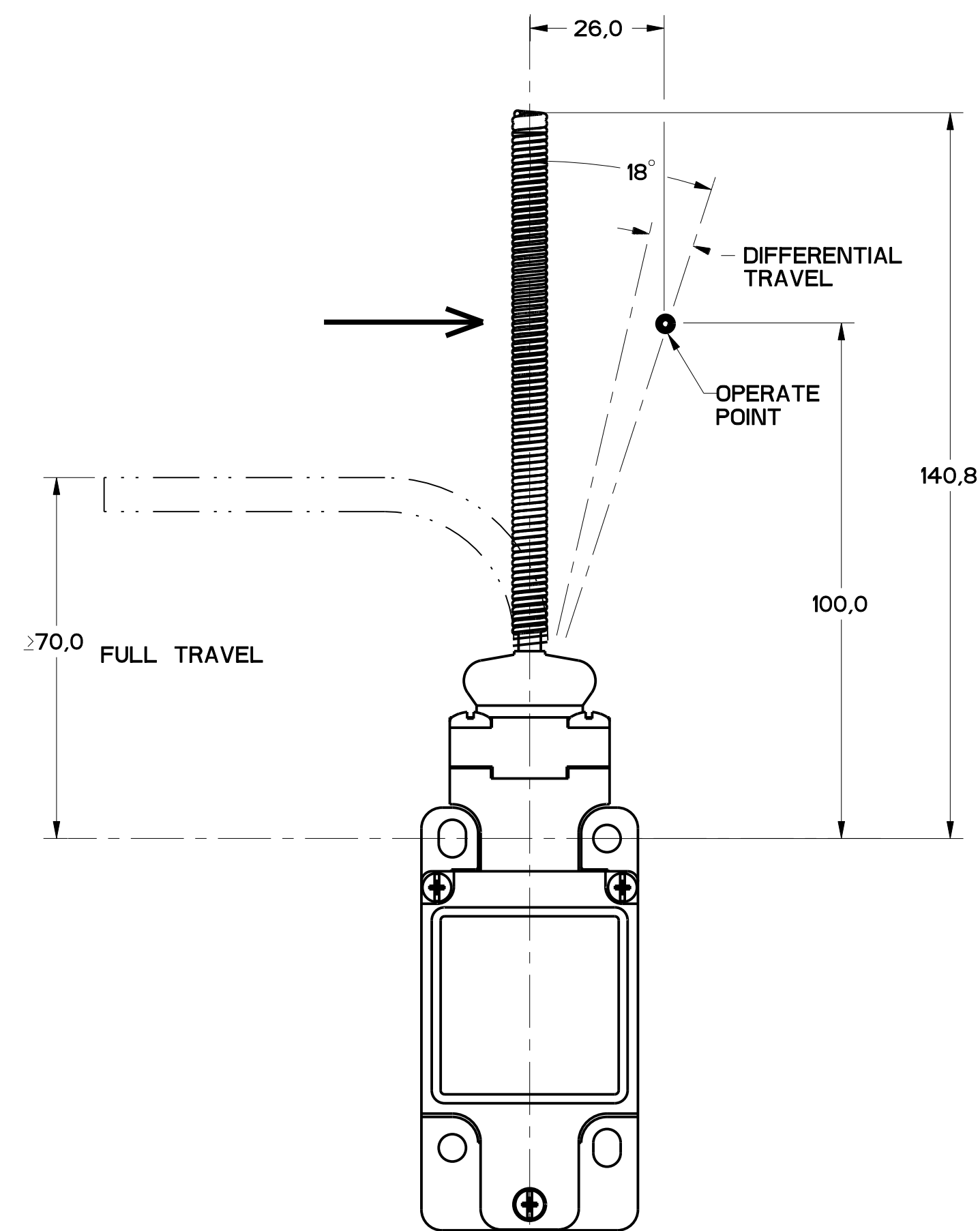


FIGURE 12

THIS DRAWING COVERS A PROPRIETARY ITEM AND IS THE PROPERTY OF MICRO SWITCH, A DIVISION OF HONEYWELL. THIS DRAWING IS NOT TO BE COPIED OR USED WITHOUT THE APPROVAL OF MICRO SWITCH.

FED. MFG. CODE 91929

CATALOG LISTING

SWITCH, ENCLOSED

GL SERIES CHART 2

SI METRIC

DESIGN UNITS

WEIGHT

THIRD ANGLE PROJECTION

SCALE FULL

DO NOT SCALE PRINT

TOLERANCES

APPLY TO DESIGN UNITS. CONVERSIONS ARE ONLY FOR REFERENCE. UNLESS NOTED, TOLERANCES ARE:

| | | | |
|--------------|-------|--------|---------|
| NO PLACES | ±.04 | ±.0015 | ±.0005 |
| TWO PLACES | ±.02 | ±.001 | ±.0003 |
| THREE PLACES | ±.015 | ±.0008 | ±.00025 |

US CUSTOMARY

FIGURE 13A, ROLLER PLUNGER HEAD, PIN ACTUATION

| CATALOG LISTING | CONTACT BLOCK DIAGRAM | NOMINAL TRAVELS AND RELATED TERMINALS CONTACT CLOSED, CONTACT OPEN, CONTACT CLOSED DIFFERENTIAL TRAVEL, ** POSITIVE OPENING TO IEC 947-5 | MAXIMUM OPERATING FORCE LB | MAXIMUM DISCONNECT FORCE LB | MAX OPERATE VEL in/S | MIN OPERATE VEL in/S | MAX OPERATE FREQUENCY OPS/MIN |
|-----------------|---|--|-------------------------------|--------------------------------|-------------------------|-------------------------|----------------------------------|
| GL**02C | SNAP - ACTION CONTACTS SINGLE POLE | 0.9 DIFFERENTIAL TRAVEL | $\frac{16}{3.6}$ | $\frac{27}{6.0}$ | $\frac{0.1}{3.9}$ | $\frac{1.0}{.04}$ | 250 |

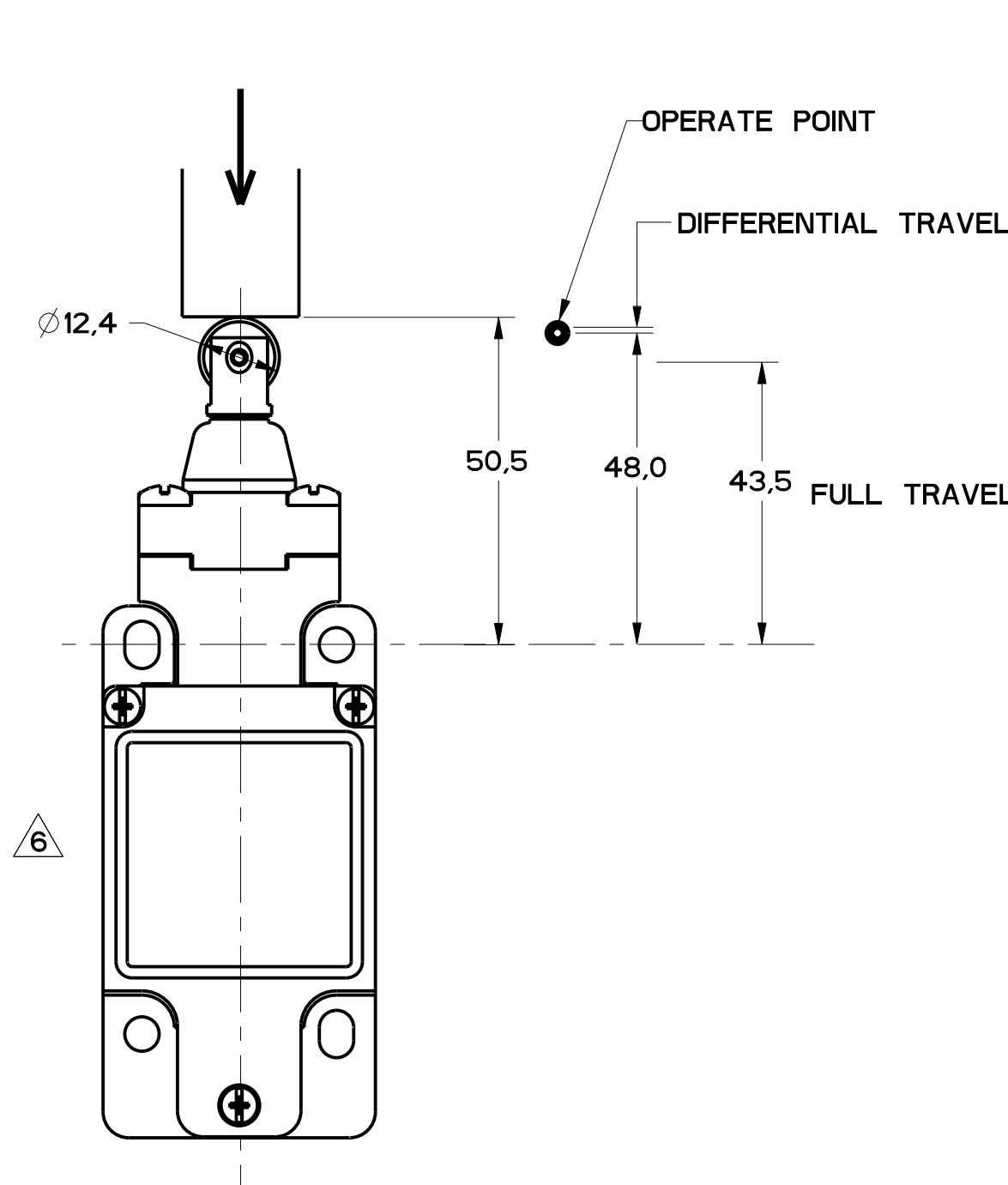


FIGURE 13A

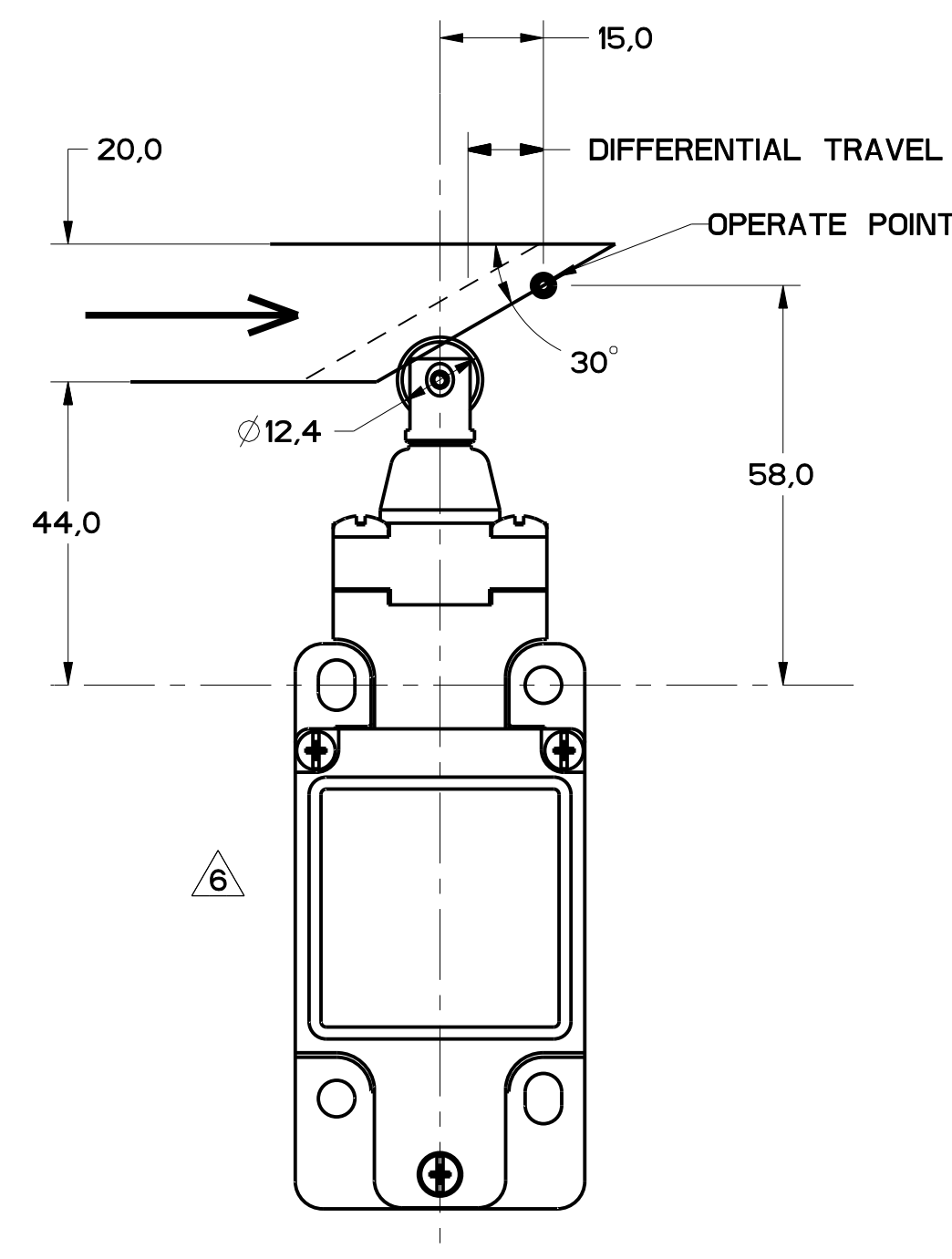


FIGURE 13B

FIGURE 13B, TOP ROLLER PLUNGER HEAD, CAM ACTUATION PER EN50041

| CATALOG LISTING | CONTACT BLOCK DIAGRAM | NOMINAL TRAVELS AND RELATED TERMINALS CONTACT CLOSED, CONTACT OPEN, CONTACT CLOSED DIFFERENTIAL TRAVEL, ** POSITIVE OPENING TO IEC 947-5 | MAXIMUM OPERATING FORCE LB | MAXIMUM DISCONNECT FORCE LB | MAX OPERATE VEL in/S | MIN OPERATE VEL in/S | MAX OPERATE FREQUENCY OPS/MIN |
|-----------------|---|--|-------------------------------|--------------------------------|-------------------------|-------------------------|----------------------------------|
| GL**02C | SNAP - ACTION CONTACTS SINGLE POLE | 1.8 DIFFERENTIAL TRAVEL | $\frac{9.3}{2.1}$ | $\frac{15.6}{3.5}$ | $\frac{0.17}{6.7}$ | $\frac{1.7}{.067}$ | 250 |

MBL SERIES CHART 2
 DRAWING NUMBER: 6 OF 8
 RELEASE NO. PR-20782
 REVISIONS: 11
 CHECK: MDM
 DATE: 11/18/94
 BY: MAM

PTC/CAD
 WLS/LODEC3
 MAM
 5-JAN-94
 CHECK: MAM
 DATE: 11/18/94
 BY: MAM

REVISIONS:
 A: 11/18/94
 B: 11/18/94
 C: 000401
 D: 000286
 E: 0017532
 F: 000285

| | | | |
|---|--|--|--|
| THIS DRAWING COVERS A PROPRIETARY ITEM AND IS THE PROPERTY OF MICRO SWITCH, A DIVISION OF HONEYWELL. THIS DRAWING IS NOT TO BE COPIED OR USED WITHOUT THE APPROVAL OF MICRO SWITCH. FED. MFG. CODE 91929 | | CATALOG LISTING SWITCH, ENCLOSED GL SERIES CHART 2 | |
| MICRO SWITCH a Honeywell Division | | SI METRIC DESIGN UNITS: <input checked="" type="checkbox"/> SI METRIC <input type="checkbox"/> US CUSTOMARY TOLERANCES: APPLY TO DESIGN UNITS. CONCESSIONS ARE ONLY FOR REFERENCE, UNLESS NOTED. TOLERANCES ARE: DIM TOL DIM TOL DIM TOL NO PLACES X .12 .12 X .12 .12 X .12 .12 ONE PLACE X .12 .12 X .12 .12 X .12 .12 TWO PLACES X .12 .12 X .12 .12 X .12 .12 THREE PLACES X .12 .12 X .12 .12 X .12 .12 ANGLES ± .2 ± .2 | |
| WEIGHT | | DO NOT SCALE PRINT TOLERANCES APPLY TO DESIGN UNITS. CONCESSIONS ARE ONLY FOR REFERENCE, UNLESS NOTED. TOLERANCES ARE: | |

FIGURE 14A, TOP ROLLER LEVER HEAD WITH PIN ACTUATION

| CATALOG LISTING | CONTACT BLOCK DIAGRAM | NOMINAL TRAVELS AND RELATED TERMINALS CONTACT CLOSED, CONTACT OPEN, CONTACT CLOSED DIFFERENTIAL TRAVEL, ** POSITIVE OPENING TO IEC 947-5 | MAXIMUM OPERATING FORCE LB | MAXIMUM DISCONNECT FORCE LB | MAX OPERATE VEL in/S | MIN OPERATE VEL in/S | MAX OPERATE FREQUENCY OPS/MIN |
|-----------------|--|--|-------------------------------|--------------------------------|-------------------------|-------------------------|----------------------------------|
| GL**02D | SNAP - ACTION CONTACTS SINGLE POLE | 1.7 DIFFERENTIAL TRAVEL | 9.5 2.1 | 12 2.7 | 0.17 6.7 | 1.7 .067 | 250 |

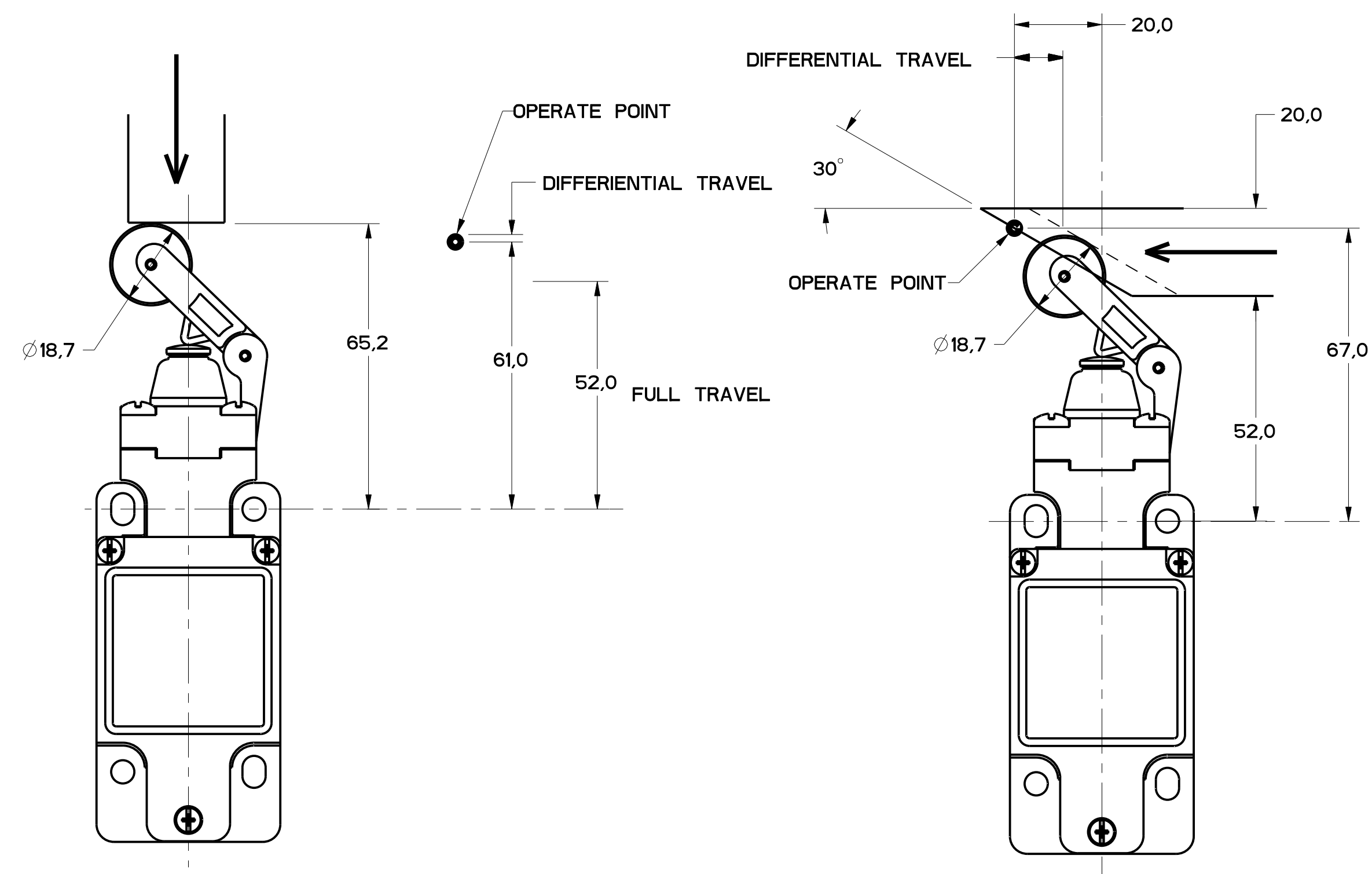


FIGURE 14A

FIGURE 14B

FIGURE 14B, TOP ROLLER LEVER HEAD WITH CAM ACTUATION

| CATALOG LISTING | CONTACT BLOCK DIAGRAM | NOMINAL TRAVELS AND RELATED TERMINALS CONTACT CLOSED, CONTACT OPEN, CONTACT CLOSED DIFFERENTIAL TRAVEL, ** POSITIVE OPENING TO IEC 947-5 | MAXIMUM OPERATING FORCE LB | MAXIMUM DISCONNECT FORCE LB | MAX OPERATE VEL in/S | MIN OPERATE VEL in/S | MAX OPERATE FREQUENCY OPS/MIN |
|-----------------|--|--|-------------------------------|--------------------------------|-------------------------|-------------------------|----------------------------------|
| GL**02D | SNAP - ACTION CONTACTS SINGLE POLE | 4.1 DIFFERENTIAL TRAVEL | 5.5 1.2 | 7.0 1.6 | 0.29 11.4 | 2.9 .11 | 250 |

| | |
|----|-----|
| 11 | MDM |
| 12 | MDM |
| 13 | MDM |
| 14 | MDM |
| 15 | MDM |
| 16 | MDM |
| 17 | MDM |
| 18 | MDM |
| 19 | MDM |
| 20 | MDM |
| 21 | MDM |
| 22 | MDM |
| 23 | MDM |
| 24 | MDM |
| 25 | MDM |
| 26 | MDM |
| 27 | MDM |
| 28 | MDM |
| 29 | MDM |
| 30 | MDM |
| 31 | MDM |
| 32 | MDM |
| 33 | MDM |
| 34 | MDM |
| 35 | MDM |
| 36 | MDM |
| 37 | MDM |
| 38 | MDM |
| 39 | MDM |
| 40 | MDM |
| 41 | MDM |
| 42 | MDM |
| 43 | MDM |
| 44 | MDM |
| 45 | MDM |
| 46 | MDM |
| 47 | MDM |
| 48 | MDM |
| 49 | MDM |
| 50 | MDM |

THIS DRAWING COVERS A PROPRIETARY ITEM AND IS THE PROPERTY OF MICRO SWITCH, A DIVISION OF HONEYWELL. THIS DRAWING IS NOT TO BE COPIED OR USED WITHOUT THE APPROVAL OF MICRO SWITCH.

FED. MFG. CODE 91929

MICRO SWITCH a Honeywell Division

SWITCH, ENCLOSED

CATALOG LISTING

GL SERIES CHART 2

DESIGN UNITS: SI METRIC [X] US CUSTOMARY []

WEIGHT

| | | | | | |
|--------------|----|-----|-----|------|------|
| NO PLACES | 1X | 1/2 | 1/4 | 0.01 | 0.01 |
| ONE PLACE | 1X | 1/2 | 1/4 | 0.01 | 0.01 |
| TWO PLACES | 1X | 1/2 | 1/4 | 0.01 | 0.01 |
| THREE PLACES | 1X | 1/2 | 1/4 | 0.01 | 0.01 |

THIRD ANGLE PROJECTION

SCALE: FULL

DO NOT SCALE PRINT

TOLERANCES

APPLY TO DESIGN UNITS. CONCESSIONS ARE ONLY FOR REFERENCE, UNLESS NOTED. TOLERANCES ARE:

FIGURE 15, CAT WISKER HEAD, ANGULAR ACTUATION

| CATALOG LISTING | CONTACT BLOCK DIAGRAM | NOMINAL TRAVELS AND RELATED TERMINALS CONTACT CLOSED, CONTACT OPEN, DIFFERENTIAL TRAVEL | MAXIMUM OPERATING TORQUE m LB-IN | MAXIMUM DISCONNECT TORQUE m LB-IN | MAX OPERATE DEGREE/S | MIN OPERATE VELOCITY DEGREE/S | MAX OPERATE RATE CYCLES/MIN |
|-----------------|--|--|--|---|----------------------|----------------------------------|--------------------------------|
| GL**02K | SNAP - ACTION CONTACTS SINGLE POLE | | $\frac{0.1}{.9}$ | N/A | 360 | 8 | 100 |

FIGURE 15, CAT WISKER HEAD, SIDE ACTUATION AT 100mm

| CATALOG LISTING | CONTACT BLOCK DIAGRAM | NOMINAL TRAVELS AND RELATED TERMINALS CONTACT CLOSED, CONTACT OPEN, DIFFERENTIAL TRAVEL | MAXIMUM OPERATING FORCE LB | MAXIMUM DISCONNECT FORCE LB | MAX OPERATE VEL IN/S | MIN OPERATE VEL IN/S | MAX OPERATE FREQUENCY OPS/MIN |
|-----------------|--|--|-------------------------------|--------------------------------|-------------------------|-------------------------|----------------------------------|
| GL**02K | SNAP - ACTION CONTACTS SINGLE POLE | | $\frac{1.3}{.3}$ | N/A | $\frac{.5}{19.7}$ | $\frac{11}{.43}$ | 100 |

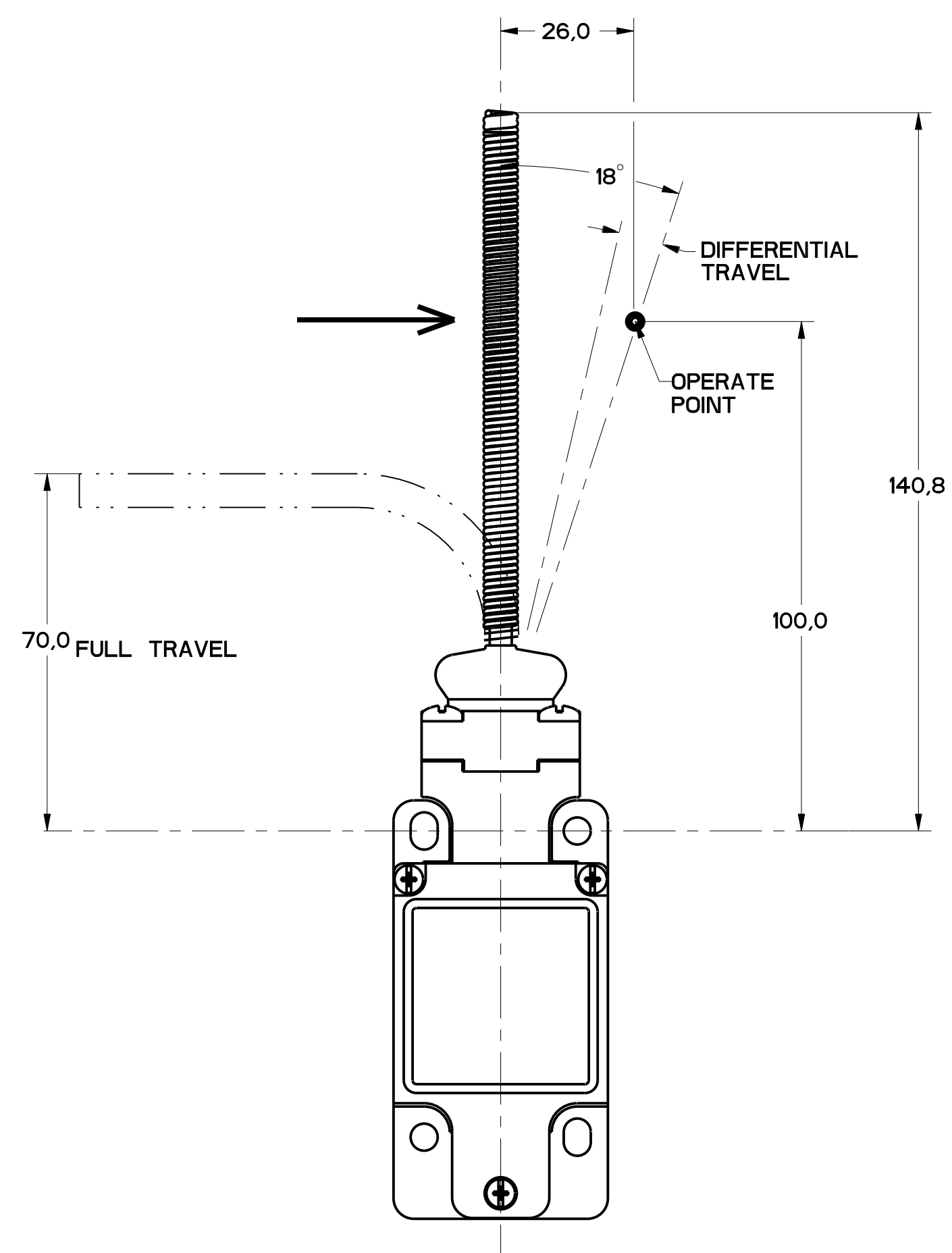


FIGURE 15

| | | | |
|----|----------------|-----|-------|
| 11 | ISSUE | MDM | CHECK |
| 1 | DESIGNING | MDM | CHECK |
| 2 | DRAWING NUMBER | MDM | CHECK |
| 3 | DATE | MDM | CHECK |
| 4 | BY | MDM | CHECK |
| 5 | CHKD | MDM | CHECK |
| 6 | APP'D | MDM | CHECK |
| 7 | DATE | MDM | CHECK |
| 8 | BY | MDM | CHECK |
| 9 | CHKD | MDM | CHECK |
| 10 | APP'D | MDM | CHECK |
| 11 | DATE | MDM | CHECK |
| 12 | BY | MDM | CHECK |
| 13 | CHKD | MDM | CHECK |
| 14 | APP'D | MDM | CHECK |
| 15 | DATE | MDM | CHECK |
| 16 | BY | MDM | CHECK |
| 17 | CHKD | MDM | CHECK |
| 18 | APP'D | MDM | CHECK |
| 19 | DATE | MDM | CHECK |
| 20 | BY | MDM | CHECK |
| 21 | CHKD | MDM | CHECK |
| 22 | APP'D | MDM | CHECK |
| 23 | DATE | MDM | CHECK |
| 24 | BY | MDM | CHECK |
| 25 | CHKD | MDM | CHECK |
| 26 | APP'D | MDM | CHECK |
| 27 | DATE | MDM | CHECK |
| 28 | BY | MDM | CHECK |
| 29 | CHKD | MDM | CHECK |
| 30 | APP'D | MDM | CHECK |
| 31 | DATE | MDM | CHECK |
| 32 | BY | MDM | CHECK |
| 33 | CHKD | MDM | CHECK |
| 34 | APP'D | MDM | CHECK |
| 35 | DATE | MDM | CHECK |
| 36 | BY | MDM | CHECK |
| 37 | CHKD | MDM | CHECK |
| 38 | APP'D | MDM | CHECK |
| 39 | DATE | MDM | CHECK |
| 40 | BY | MDM | CHECK |
| 41 | CHKD | MDM | CHECK |
| 42 | APP'D | MDM | CHECK |
| 43 | DATE | MDM | CHECK |
| 44 | BY | MDM | CHECK |
| 45 | CHKD | MDM | CHECK |
| 46 | APP'D | MDM | CHECK |
| 47 | DATE | MDM | CHECK |
| 48 | BY | MDM | CHECK |
| 49 | CHKD | MDM | CHECK |
| 50 | APP'D | MDM | CHECK |

THIS DRAWING COVERS A PROPRIETARY ITEM AND IS THE PROPERTY OF MICRO SWITCH, A DIVISION OF HONEYWELL. THIS DRAWING IS NOT TO BE COPIED OR USED WITHOUT THE APPROVAL OF MICRO SWITCH.

FED. MFG. CODE 91929

MICRO SWITCH
a Honeywell Division

SWITCH, ENCLOSED

CATALOG LISTING
GL SERIES CHART 2

| | | | | |
|--------------|------|------|------|------|
| NO PLACES | ±.04 | ±.04 | ±.04 | ±.04 |
| ONE PLACE | ±.04 | ±.04 | ±.04 | ±.04 |
| TWO PLACES | ±.04 | ±.04 | ±.04 | ±.04 |
| THREE PLACES | ±.04 | ±.04 | ±.04 | ±.04 |
| ANGLES | ±.04 | ±.04 | ±.04 | ±.04 |

DESIGN UNITS: SI METRIC US CUSTOMARY

WEIGHT



Компания «ЭлектроПласт» предлагает заключение долгосрочных отношений при поставках импортных электронных компонентов на взаимовыгодных условиях!

Наши преимущества:

- Оперативные поставки широкого спектра электронных компонентов отечественного и импортного производства напрямую от производителей и с крупнейших мировых складов;
- Поставка более 17-ти миллионов наименований электронных компонентов;
- Поставка сложных, дефицитных, либо снятых с производства позиций;
- Оперативные сроки поставки под заказ (от 5 рабочих дней);
- Экспресс доставка в любую точку России;
- Техническая поддержка проекта, помощь в подборе аналогов, поставка прототипов;
- Система менеджмента качества сертифицирована по Международному стандарту ISO 9001;
- Лицензия ФСБ на осуществление работ с использованием сведений, составляющих государственную тайну;
- Поставка специализированных компонентов (Xilinx, Altera, Analog Devices, Intersil, Interpoint, Microsemi, Aeroflex, Peregrine, Syfer, Eurofarad, Texas Instrument, Miteq, Cobham, E2V, MA-COM, Hittite, Mini-Circuits, General Dynamics и др.);

Помимо этого, одним из направлений компании «ЭлектроПласт» является направление «Источники питания». Мы предлагаем Вам помощь Конструкторского отдела:

- Подбор оптимального решения, техническое обоснование при выборе компонента;
- Подбор аналогов;
- Консультации по применению компонента;
- Поставка образцов и прототипов;
- Техническая поддержка проекта;
- Защита от снятия компонента с производства.



Как с нами связаться

Телефон: 8 (812) 309 58 32 (многоканальный)

Факс: 8 (812) 320-02-42

Электронная почта: org@eplast1.ru

Адрес: 198099, г. Санкт-Петербург, ул. Калинина, дом 2, корпус 4, литера А.