

SIDE ROTARY

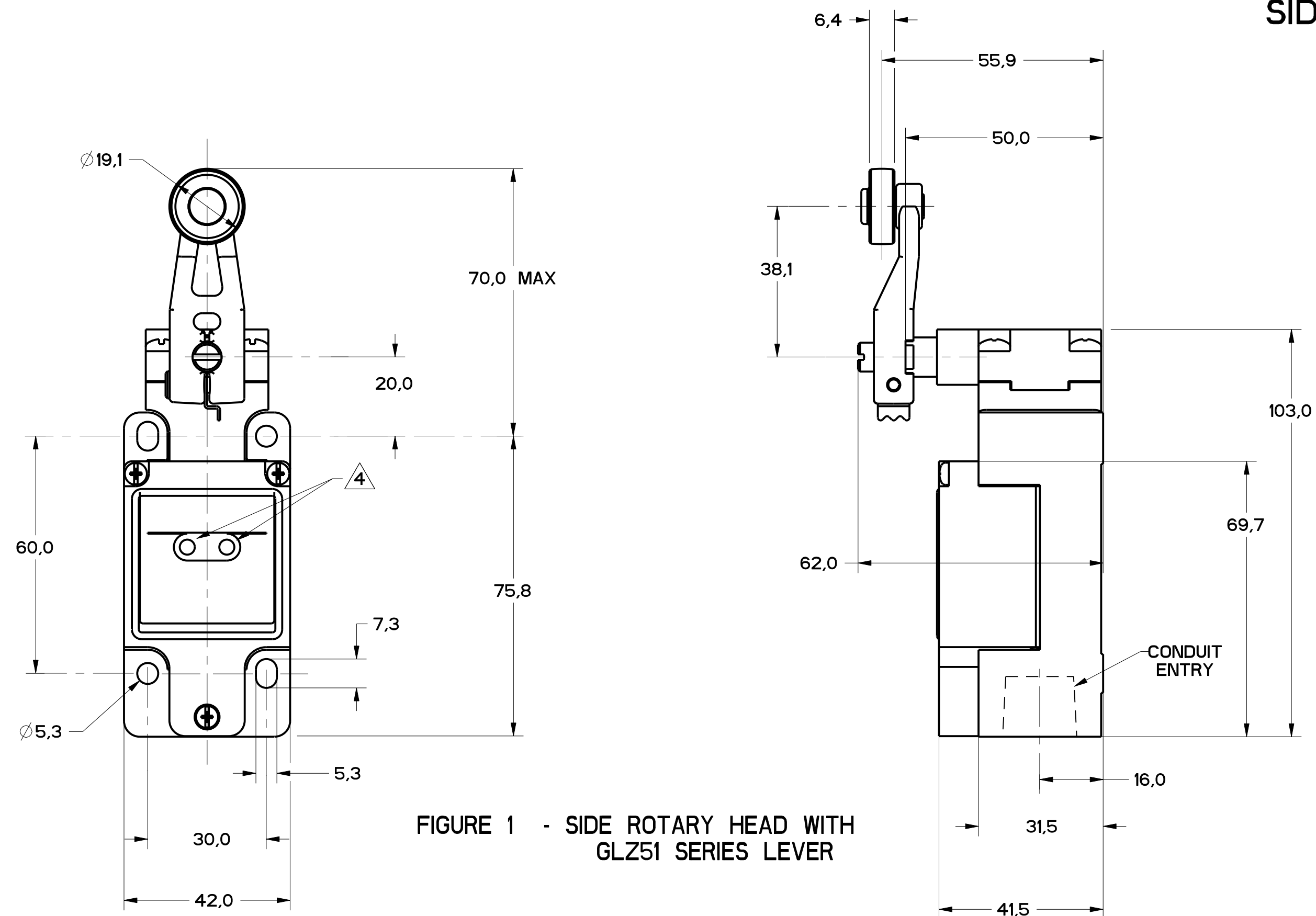


FIGURE 1 - SIDE ROTARY HEAD WITH GLZ51 SERIES LEVER

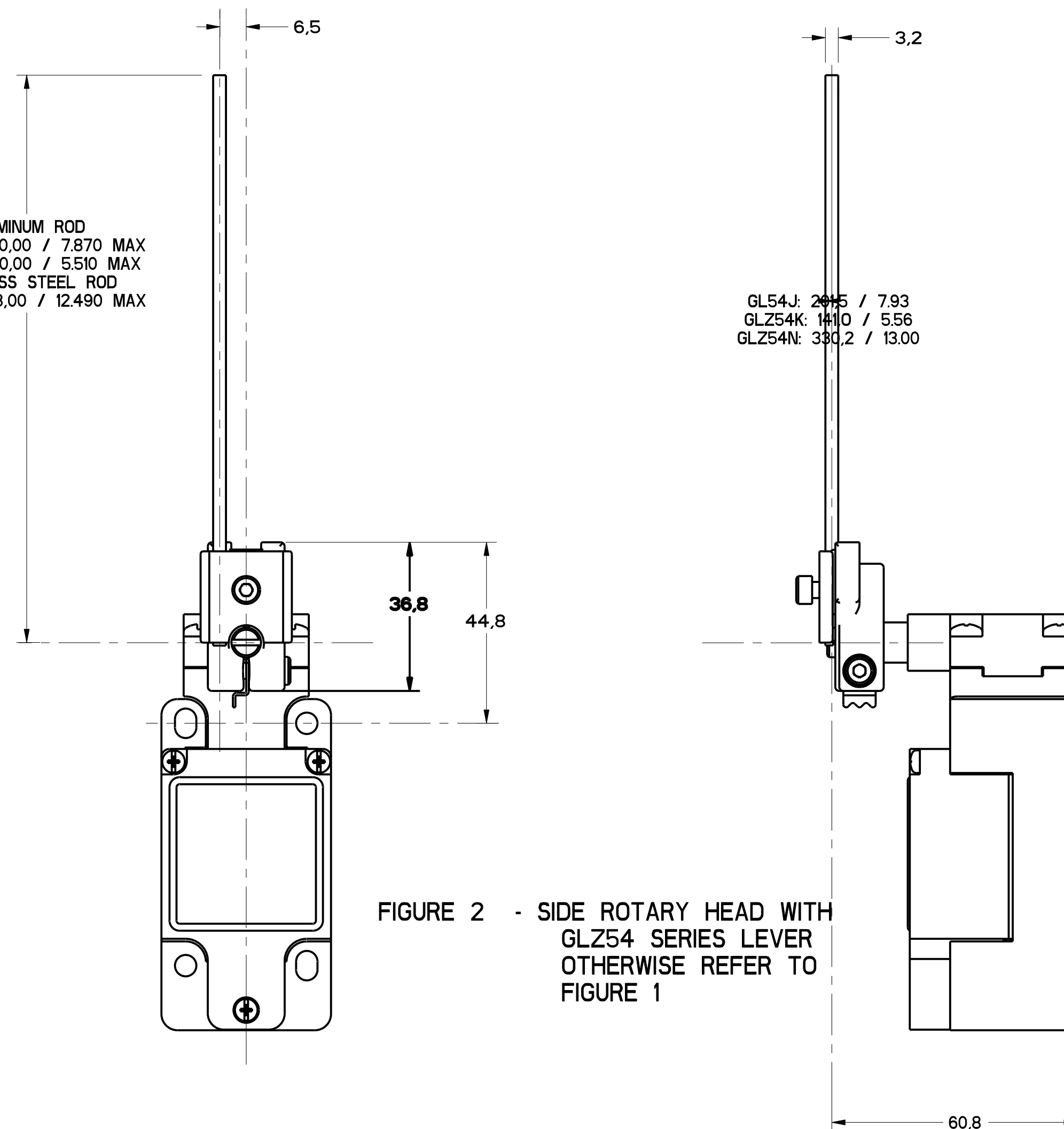


FIGURE 2 - SIDE ROTARY HEAD WITH GLZ54 SERIES LEVER OTHERWISE REFER TO FIGURE 1

FIGURE	CATALOG LISTING	CONDUIT ENTRY
1A	GL*A SERIES	1/2-14 NPT
1B	GL*B SERIES	PG13.5
1C	GL*C SERIES	20mm
1D	GL*D SERIES	PF1/2

ELECTRICAL RATING $\Delta 5$			
AC		DC	
A600 Ue	AC15 Ie	0300 Ue	DC13 Ie
(VOLTS)	(AMPS)	(VOLTS)	(AMPS)
120	6	24	2.8
240	3	125	.55
380	1.9	250	.27
480	1.5		
500	1.4		
600	1.2		

ENVIRONMENTAL RATING	
IP67	
NEMA/UL TYPES 1, 4, 12, 13	

- NOTES
- HEADS MAY BE INDEXED IN 90° INCREMENTS
 - LEVERS MAY BE KEYED TO THE SHAFT AT 90° INCREMENTS. THEY MAY ALSO BE ATTACHED, BUT NOT KEYED ANYWHERE ON THE SHAFT.
 - FOR ADDITIONAL LEVERS SEE "M" DRAWING CHART GLZ5
 - THE RIGHT INDICATOR IS YELLOW AND INDICATES "OUTPUT STATUS" IT IS ON GLG SERIES PRODUCTS ONLY.
 - THE MAXIMUM VOLTAGE, V_e OF GLG SERIES PRODUCTS IS THE MAXIMUM RATED VOLTAGE OF INDICATION LIGHTS
 - FREE POSITION, OPERATE POINT, OVERTRAVEL AND PRETRAVEL ALL TO EN50041
 - CAM TRAVEL FOR FIG 9 ONLY APPLIES WHEN LEVER IS ADJUSTED TO 38.1 / 1.50
 - TEMPERATURE RANGE (ALL PRODUCTS EXCEPT W/SIDE ROTARY OPERATING HEAD) OPERATING: -25°C TO +85°C / -13°F TO +185°F STORAGE: -40°C TO +85°C / -40°F TO +185°F (PRODUCTS W/SIDE ROTARY OPERATING HEAD) OPERATING: -40°C TO +85°C / -40°F TO +185°F STORAGE: -40°C TO +85°C / -40°F TO +185°F

CATALOG LISTING	BODY DIMENSIONS, FIGURE	HEAD DIMENSIONS, FIGURE	HEAD ACTUATION, FIGURE
GLB***	I	N/A	N/A
GLG***	I	N/A	N/A
GLJ***	I	N/A	N/A
GLA***	1A	N/A	N/A
GLB***	1B	N/A	N/A
GLC***	1C	N/A	N/A
GLD***	1D	N/A	N/A
GL***A1*	I	1	8
GL***A2*	I	3	9
GL***A4*	I	2	10
GL***A5*	I		8
GL***B	I	4	11
GL***C	I	5	13A, 13B
GL***D	I	6	14A, 14B
GL***E7A	I	7A	12
GL***E7B	I	7	12
GL***E7C	I	7E	12
GL***E7D	I	7B	12
GL***K8A	I	7C	15
GL***K8B	I	7D	15
GL***K8C	I	7	15

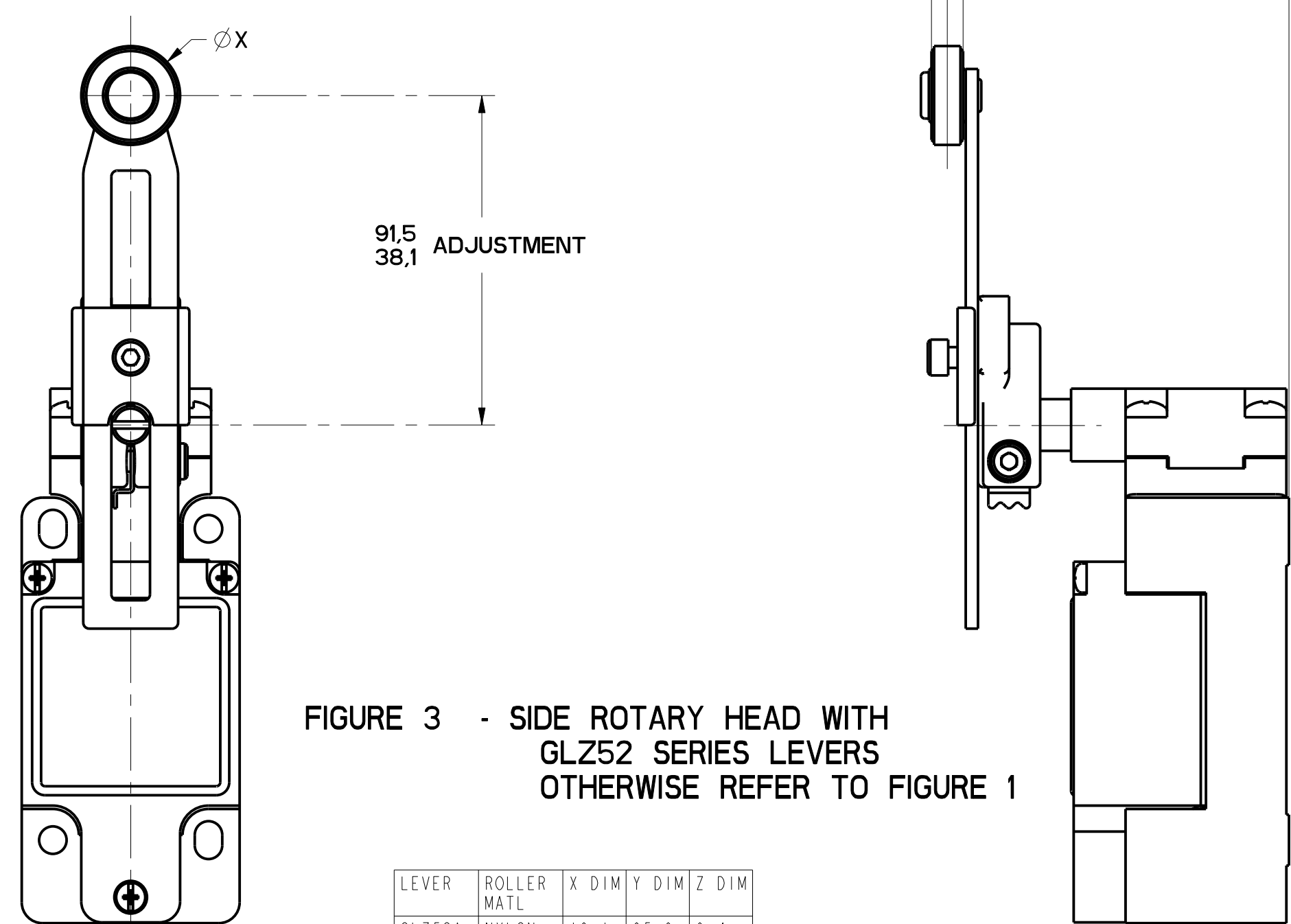


FIGURE 3 - SIDE ROTARY HEAD WITH GLZ52 SERIES LEVERS OTHERWISE REFER TO FIGURE 1

LEVER	ROLLER MATL	X DIM	Y DIM	Z DIM
GLZ52A	NYLON	19.1 .75	65.9 2.59	6.4 .25
GLZ52B	STEEL	19.1 .75	65.9 2.59	6.4 .25
GLZ52D	NYLON	38.1 1.5	65.9 2.59	6.4 .25
GLZ52E	NYLON	19.1 .75	79.37 3.125	33.07 1.300
GLZ52W	RUBBER	40.0 1.5	71.5 2.81	12.7 .5
GLZ52Y	RUBBER	50.9 2.0	71.5 2.81	12.7 .5

MGL SERIES CHART 2
 DRAWING NUMBER: 11
 CHECKED: MDM
 RELEASE NO. PR-20782
 DATE: 28 MARCH 98
 P.T.C./CAD
 S.A.V. 28MARCH98

THIS DRAWING COVERS A PROPRIETARY ITEM AND IS THE PROPERTY OF MICRO SWITCH, A DIVISION OF HONEYWELL. THIS DRAWING IS NOT TO BE COPIED OR USED WITHOUT THE APPROVAL OF MICRO SWITCH.

FED. MFG. CODE 91929

MICRO SWITCH
a Honeywell Division

SWITCH, ENCLOSED

CATALOG LISTING
GL SERIES CHART 2

SI METRIC US CUSTOMARY

DESIGN UNITS: WEIGHT

THIRD ANGLE PROJECTION

SCALE: FULL

DO NOT SCALE PRINT

TOLERANCES

APPLY TO DESIGN UNITS. CONVERSIONS ARE ONLY FOR REFERENCE. UNLESS NOTED, TOLERANCES ARE:

NO. PLACES	SI	US	NO. PLACES	SI	US
TWO PLACES	±.02	±.0005	TWO PLACES	±.02	±.0005
THREE PLACES	±.015	±.0003	THREE PLACES	±.015	±.0003
ANGLES	±.2°		ANGLES	±.2°	

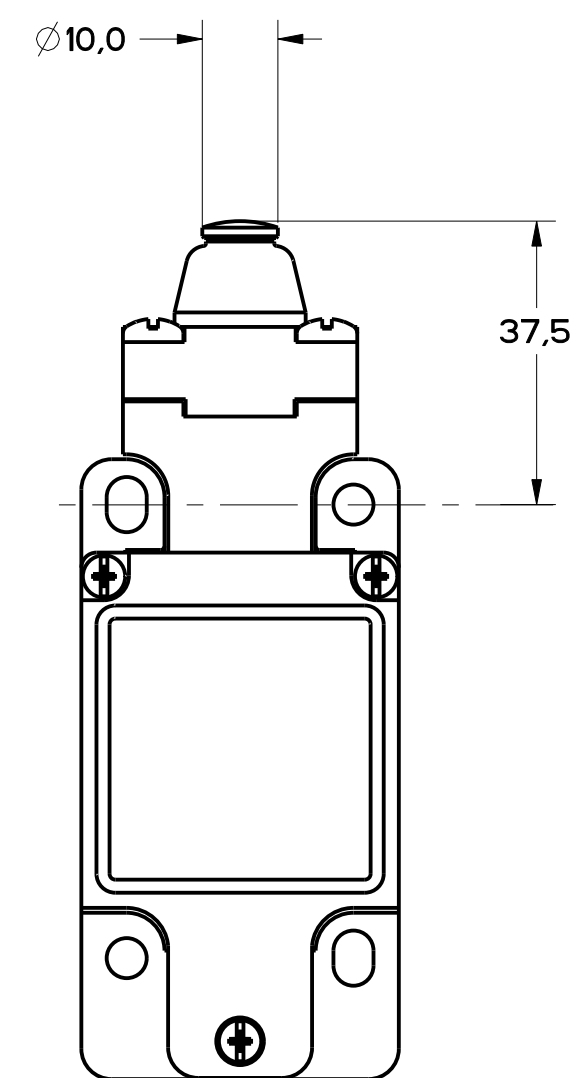


FIGURE 4 - TOP PIN PLUNGER HEAD
OTHERWISE REFER TO
FIGURE 1

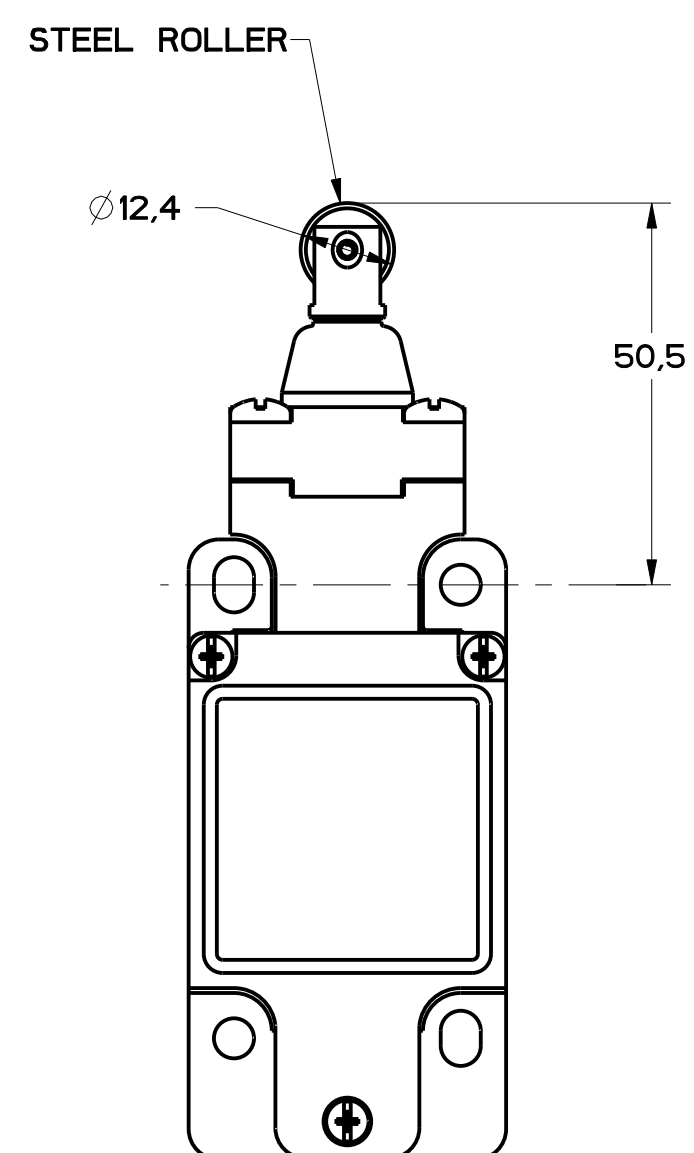
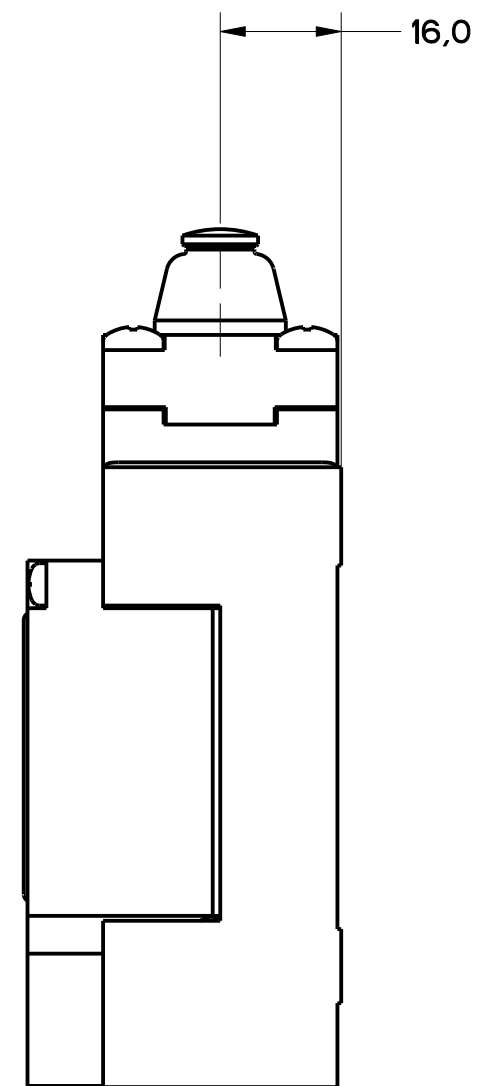


FIGURE 5 - TOP ROLLER PLUNGER HEAD
OTHERWISE REFER TO
FIGURE 1

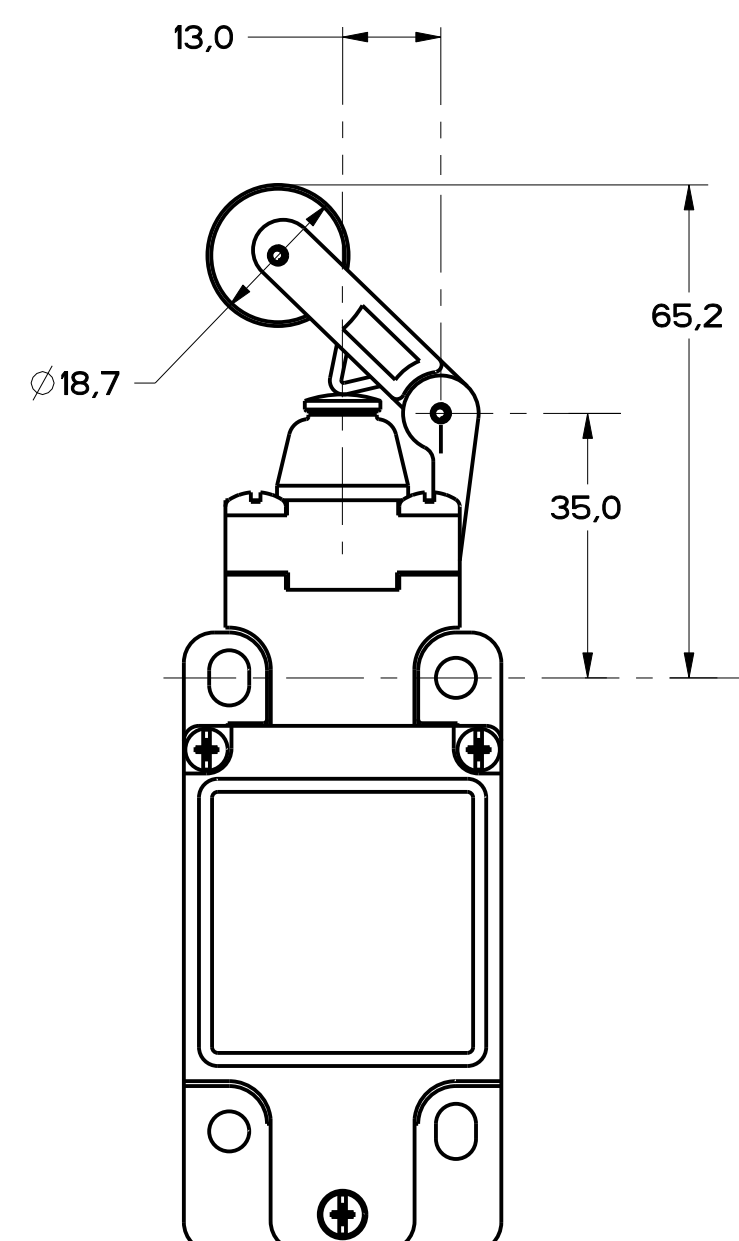
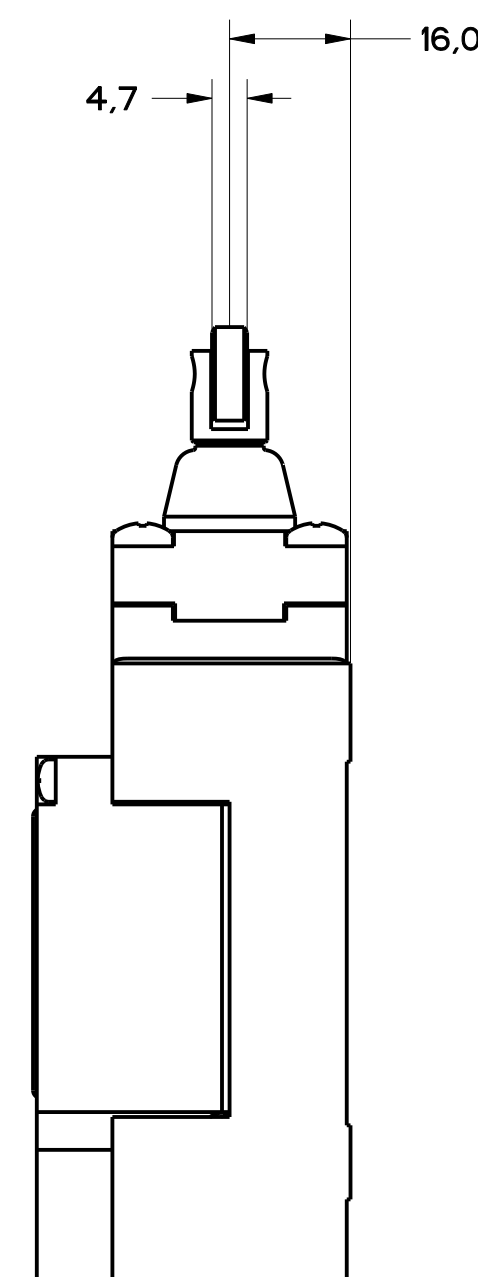
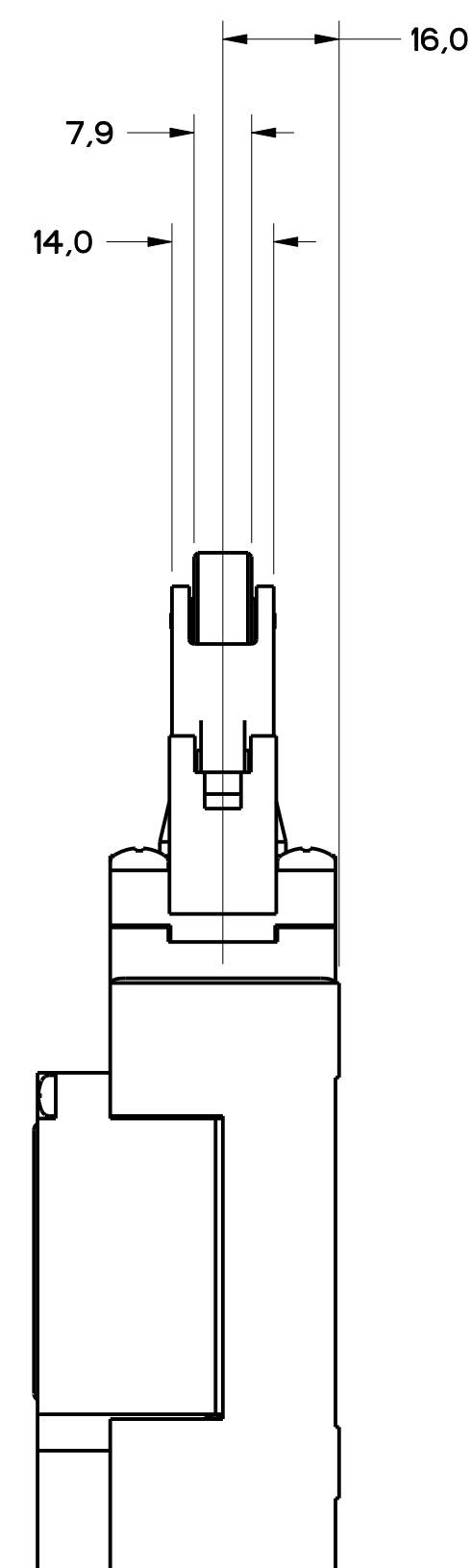


FIGURE 6 - TOP LEVER HEAD,
OTHERWISE REFER TO
FIGURE 1



MBL SERIES CHART 2
 DRAWING NUMBER: 11
 PAGE 1 OF 8
 RELEASE NO. PR-20782
 REPLACES: MDM

REV	DATE	BY	CHKD
A	03-20-88	WLS	MDM
B	08-03-88	WLS	MDM
C	00-07-88	WLS	MDM
D	01-15-82	WLS	MDM

P.T.C./CAD
 WLS
 G.L.H.

THIS DRAWING COVERS A PROPRIETARY ITEM AND IS THE PROPERTY OF MICRO SWITCH, A DIVISION OF HONEYWELL. THIS DRAWING IS NOT TO BE COPIED OR USED WITHOUT THE APPROVAL OF MICRO SWITCH.

FED. MFG. CODE 91929

MICRO SWITCH
a Honeywell Division

SWITCH, ENCLOSED

CATALOG LISTING
GL SERIES CHART 2

THIRD ANGLE PROJECTION			
SCALE FULL			
DO NOT SCALE PRINT			
TOLERANCES			
APPLY TO DESIGN UNITS. CONCESSIONS ARE ONLY FOR REFERENCE, UNLESS NOTED. TOLERANCES ARE:			
	SI	US	US
NO PLACES	±0.04	±0.0015	±0.0015
ONE PLACE	±0.05	±0.002	±0.002
TWO PLACES	±0.005	±0.0005	±0.0005
THREE PLACES	±0.0005	±0.0001	±0.0001
ANGLES	±2'		
DESIGN UNITS	<input checked="" type="checkbox"/> SI METRIC	<input type="checkbox"/> US CUSTOMARY	
WEIGHT			

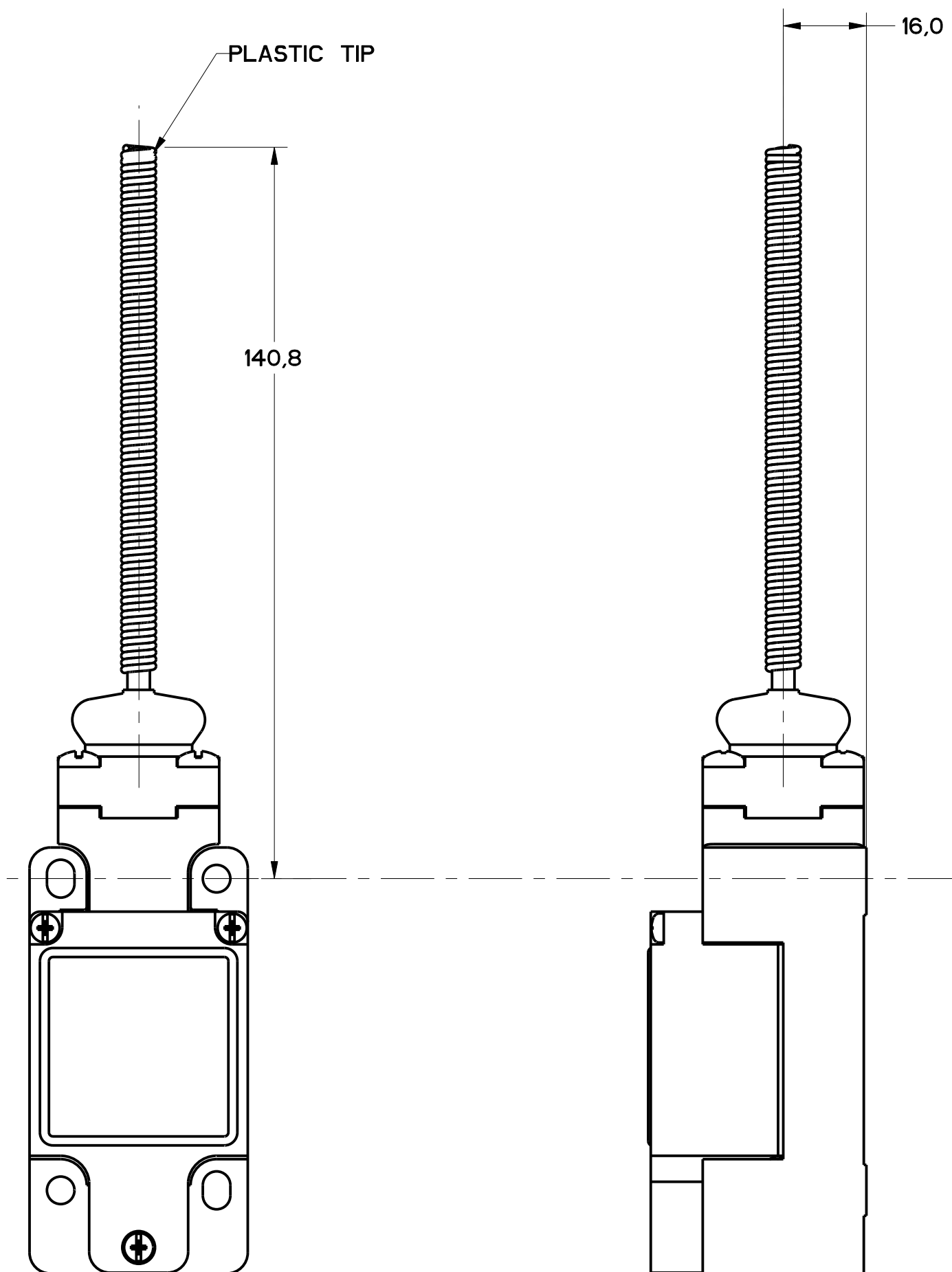


FIGURE 7 - WOBBLE HEAD, AND CAT WHISKER HEAD COIL ACTUATOR, OTHERWISE REFER TO FIGURE 1

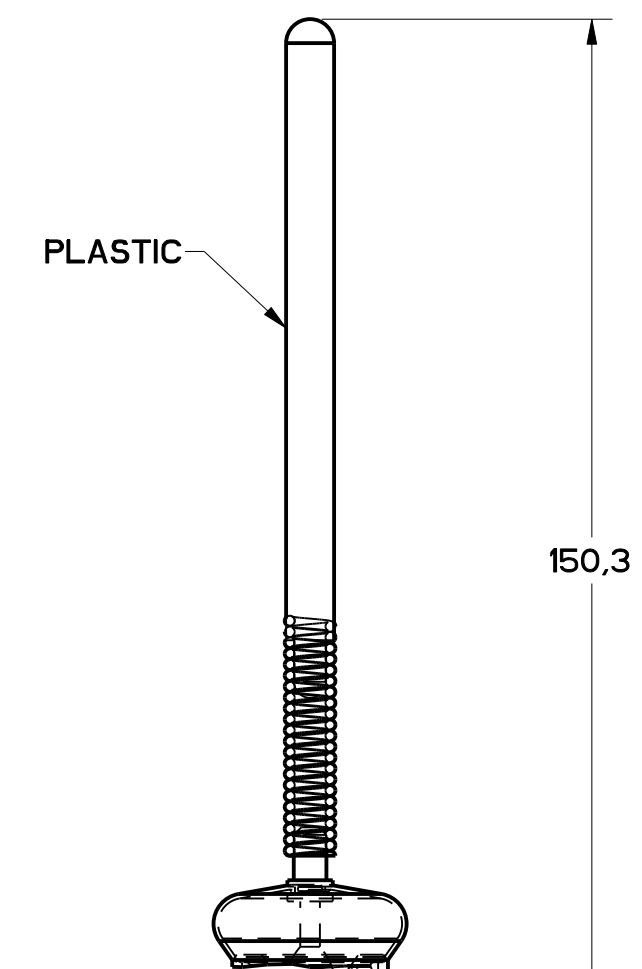


FIGURE 7A - WOBBLE HEAD, PLASTIC ACTUATOR, OTHERWISE SAME AS FIGURE 7

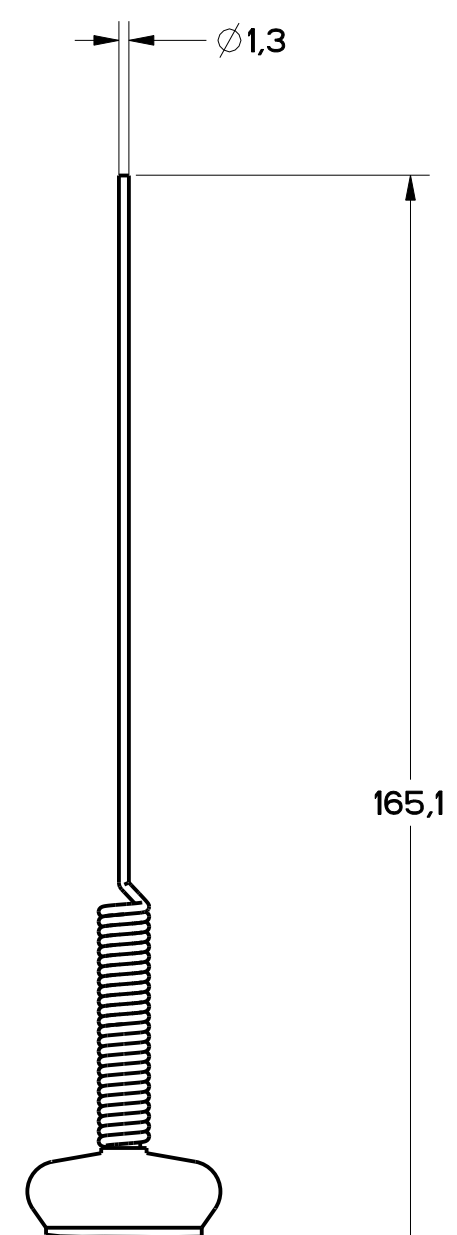


FIGURE 7B - WOBBLE HEAD STAINLESS STEEL SPRING ACTUATOR, OTHERWISE SAME AS FIGURE 7

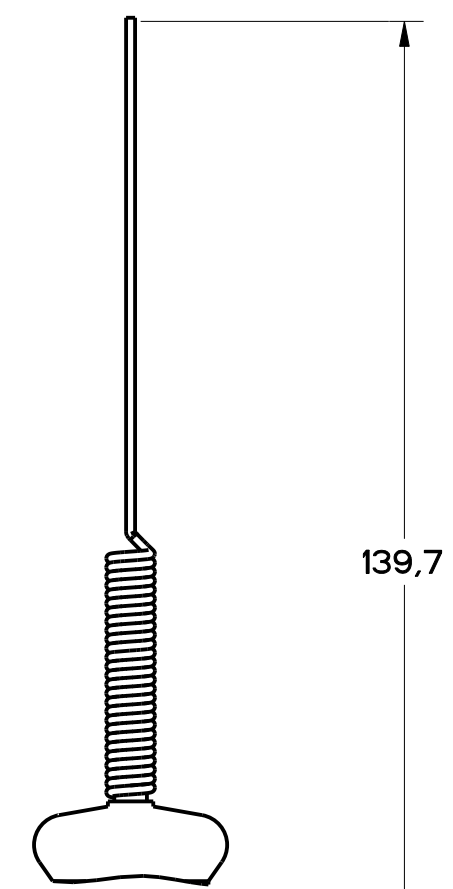


FIGURE 7C - CAT WHISKER ACTUATOR STAINLESS STEEL SPRING OTHERWISE SAME AS FIGURE 7

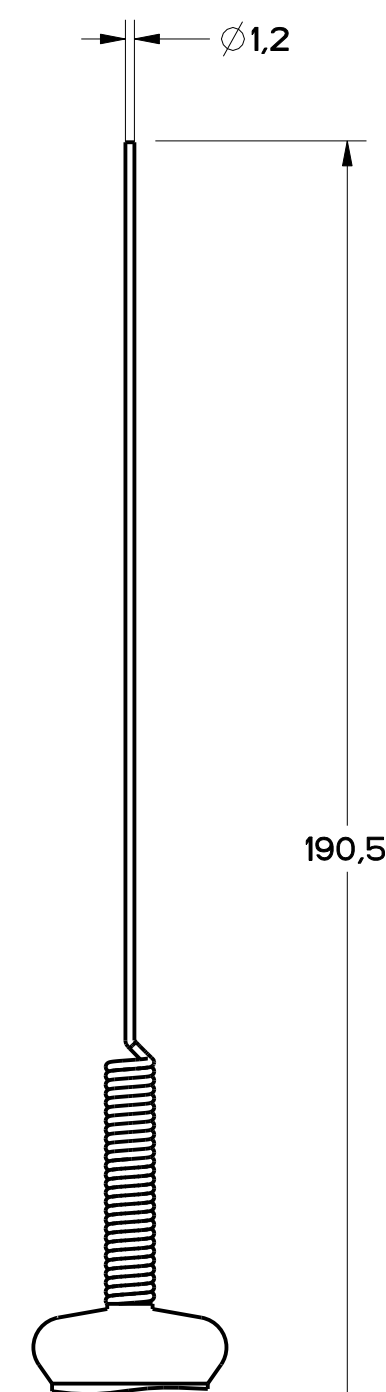


FIGURE 7D - CAT WHISKER ACTUATOR, STAINLESS STEEL SPRING, OTHERWISE SAME AS FIGURE 7

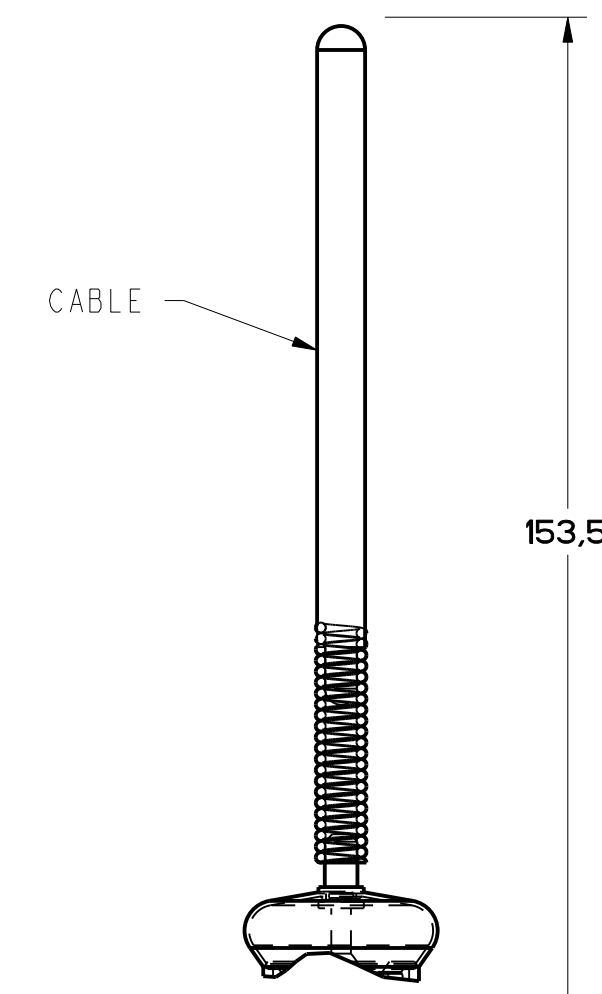


FIGURE 7E - CABLE WOBBLE ACTUATOR OTHERWISE SAME AS FIGURE 7

MICROSWITCH
 a Honeywell Division
 P.T.C./CAD
 DRAWN
 S. A. V.
 MAY 86
 CHECKED
 S. A. V.
 MAY 86
 CHECKED
 S. A. V.
 MAY 86
 APPROVED
 S. A. V.
 MAY 86

THIS DRAWING COVERS A PROPRIETARY ITEM AND IS THE PROPERTY OF MICRO SWITCH, A DIVISION OF HONEYWELL. THIS DRAWING IS NOT TO BE COPIED OR USED WITHOUT THE APPROVAL OF MICRO SWITCH.		FEDERAL MANUFACTURING CODE 91929		CATALOG LISTING	
MICROSWITCH a Honeywell Division		SWITCH, ENCLOSED		GL SERIES CHART 2	

THIRD ANGLE PROJECTION

SCALE FULL

DO NOT SCALE PRINT

TOLERANCES

APPLY TO DESIGN UNITS. CONVERSIONS ARE ONLY FOR REFERENCE. UNLESS NOTED, TOLERANCES ARE:

NO. PLACES	SI	TOL.	UNITS	US	TOL.	UNITS
ONE PLACE	X.1	±0.04	X.1	0.01	±0.05	
TWO PLACES	X.1X	±0.01	X.1X	0.01	±0.015	
THREE PLACES	X.1XX	±0.005	X.1XX	0.005	±0.005	
ANGLES		±2°				

DESIGN UNITS: SI METRIC US CUSTOMARY

WEIGHT:

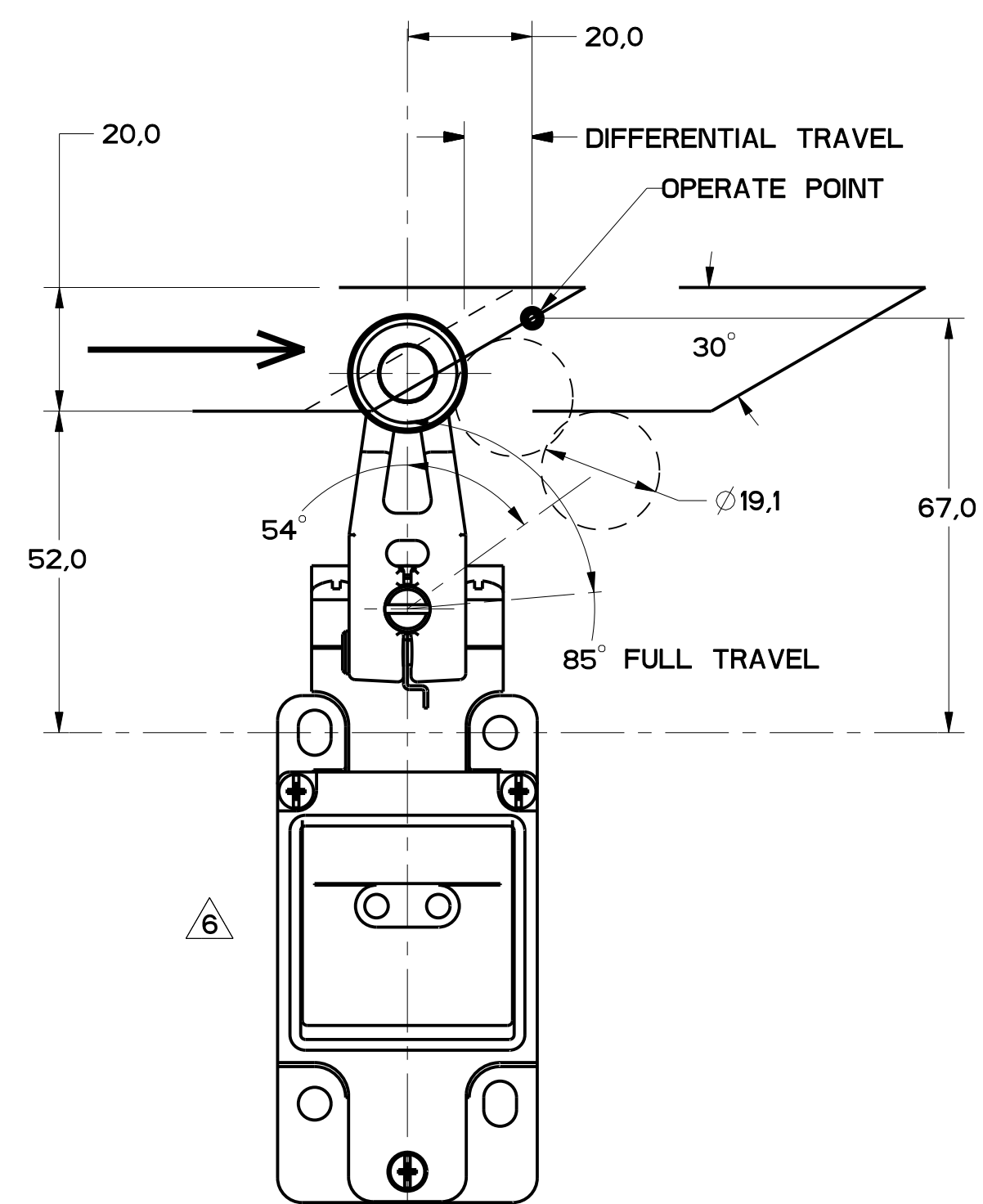


FIGURE 8

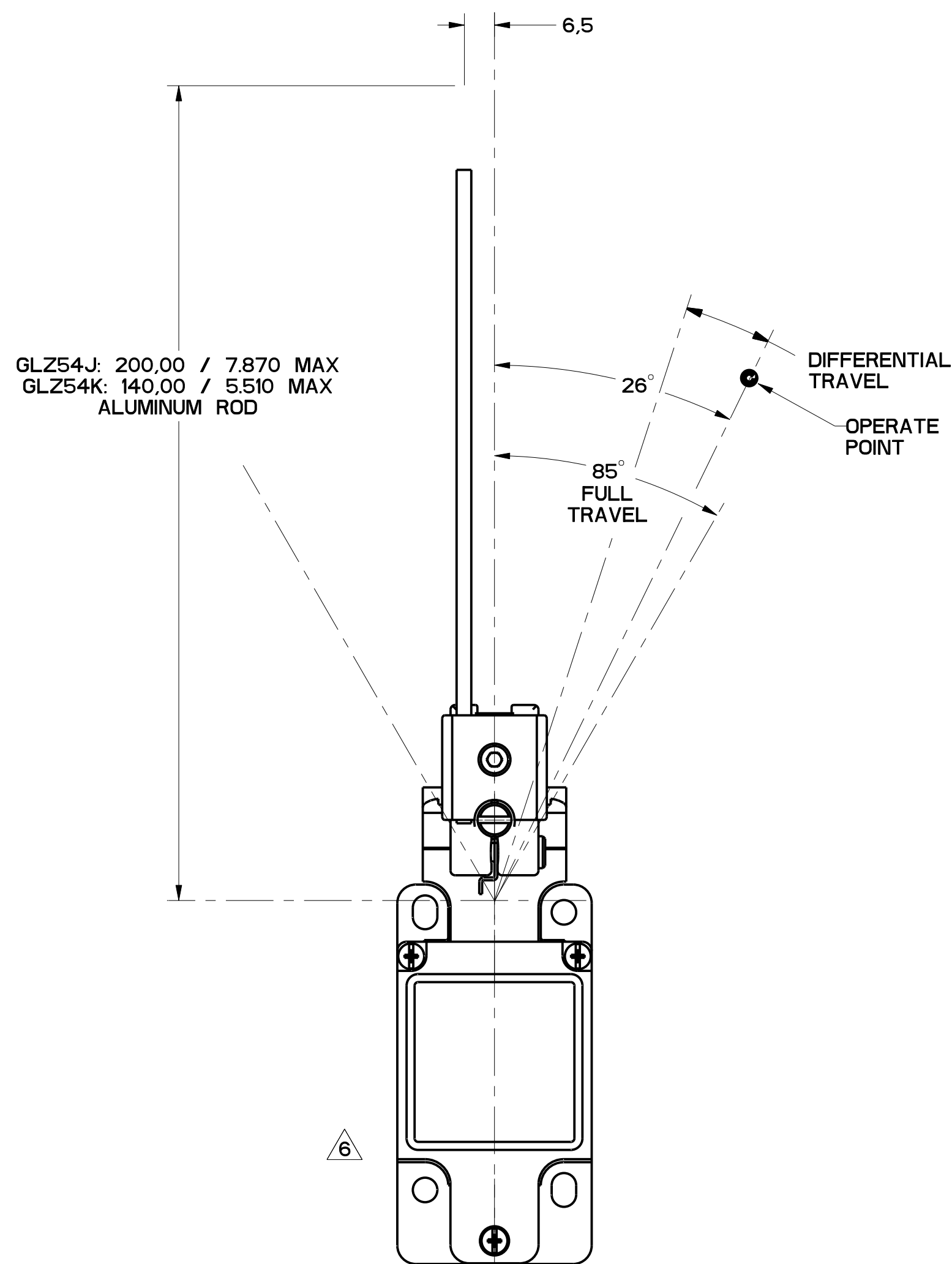


FIGURE 10

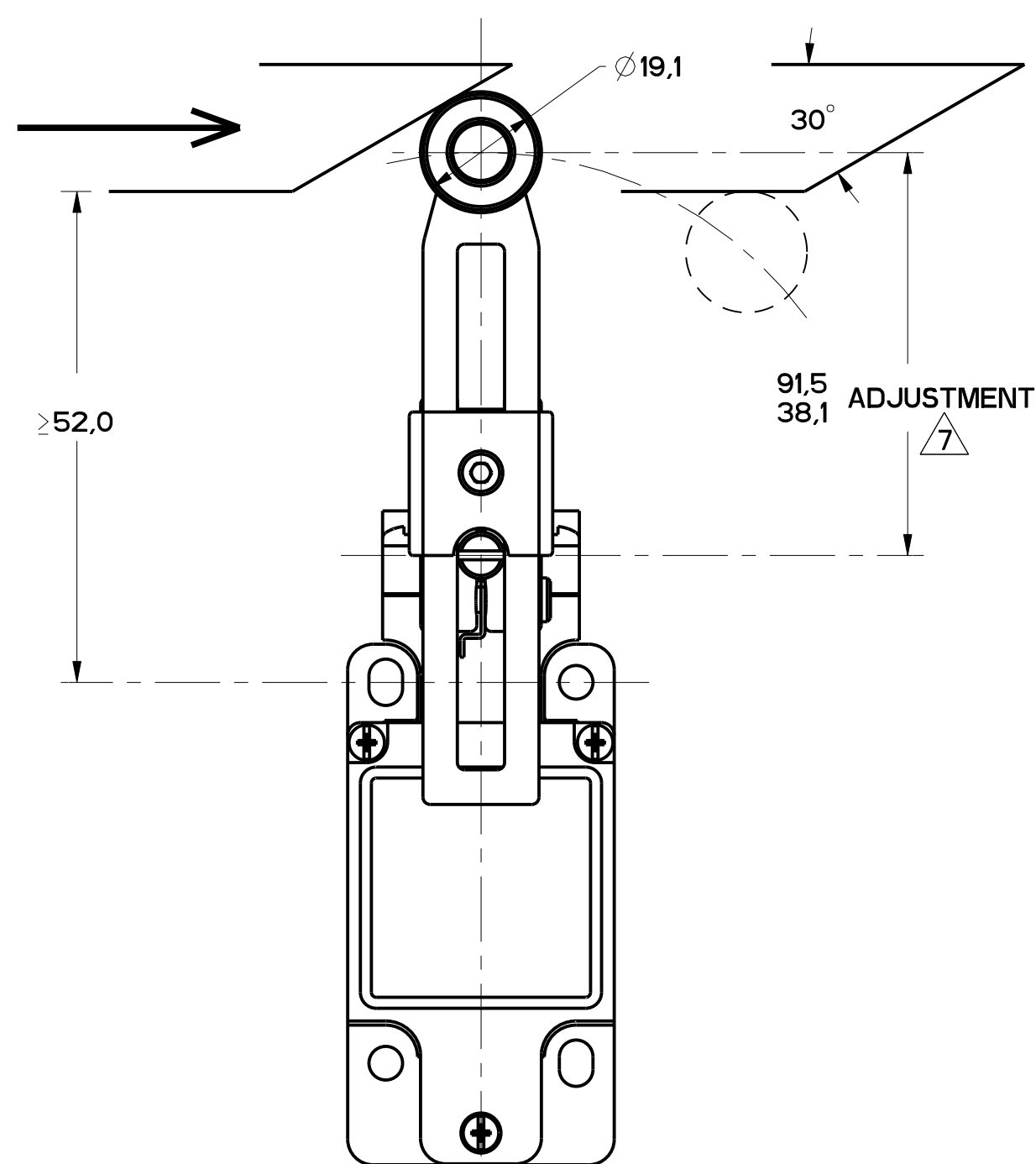


FIGURE 9

FIGURES 8, 9, 10 ANGULAR ACTUATION

CATALOG LISTING	CONTACT BLOCK DIAGRAM	NOMINAL TRAVELS AND RELATED TERMINALS CONTACT CLOSED, CONTACT OPEN, CONTACT CLOSED DIFFERENTIAL TRAVEL, ** POSITIVE OPENING TO IEC 947-5	MAXIMUM OPERATING TORQUE LB-IN	MAXIMUM DISCONNECT TORQUE LB-IN	MAX OPERATE DEGREE/S	MIN OPERATE DEGREE/S	MAX OPERATE FREQUENCY OPS/MIN
GL**02A*	SNAP - ACTION CONTACTS SINGLE POLE 	21-22 13-14 26° 55**° 85° 12° DIFFERENTIAL TRAVEL	.330 2.9	.385 3.4	1290	13	250

CAM ACTUATION PER EN50041, FIGURES 8 AND 9

CATALOG LISTING	CONTACT BLOCK DIAGRAM	NOMINAL TRAVELS AND RELATED TERMINALS CONTACT CLOSED, CONTACT OPEN, CONTACT CLOSED DIFFERENTIAL TRAVEL, ** POSITIVE OPENING TO IEC 947-5 DIMENSIONS IN mm	MAXIMUM OPERATING FORCE LB	MAXIMUM DISCONNECT FORCE LB	MAX OPERATE VEL IN/S	MIN OPERATE VEL IN/S	MAX OPERATE FREQUENCY OPS/MIN
GL**02A*	SNAP - ACTION CONTACTS SINGLE POLE 	21-22 13-14 0 20 56** 12 DIFFERENTIAL TRAVEL	9.7 2.2	11.4 2.6	.85 33.5	8.5 .33	250

11	ISSUE	MDM
1	DRIVING NUMBER	MDM
2	DESIGN	MDM
3	CHECK	MDM
4	APPROVE	MDM
5	DATE	MDM
6	BY	MDM
7	FOR	MDM
8	DATE	MDM
9	BY	MDM
10	FOR	MDM
11	DATE	MDM
12	BY	MDM
13	FOR	MDM
14	DATE	MDM
15	BY	MDM
16	FOR	MDM
17	DATE	MDM
18	BY	MDM
19	FOR	MDM
20	DATE	MDM

THIS DRAWING COVERS A PROPRIETARY ITEM AND IS THE PROPERTY OF MICRO SWITCH, A DIVISION OF HONEYWELL. THIS DRAWING IS NOT TO BE COPIED OR USED WITHOUT THE APPROVAL OF MICRO SWITCH.

FED. MFG. CODE 91929

MICRO SWITCH
a Honeywell Division

SWITCH, ENCLOSED

CATALOG LISTING
GL SERIES CHART 2

NO PLACES	1/16	±.005	1/8	±.010
TWO PLACES	1/16	±.004	1/8	±.008
THREE PLACES	1/16	±.003	1/8	±.006

DESIGN UNITS: SI METRIC US CUSTOMARY

WEIGHT

THIRD ANGLE PROJECTION

SCALE: FULL

DO NOT SCALE PRINT

TOLERANCES
APPLY TO DESIGN UNITS. CONCESSIONS ARE ONLY FOR REFERENCE, UNLESS NOTED. TOLERANCES ARE:

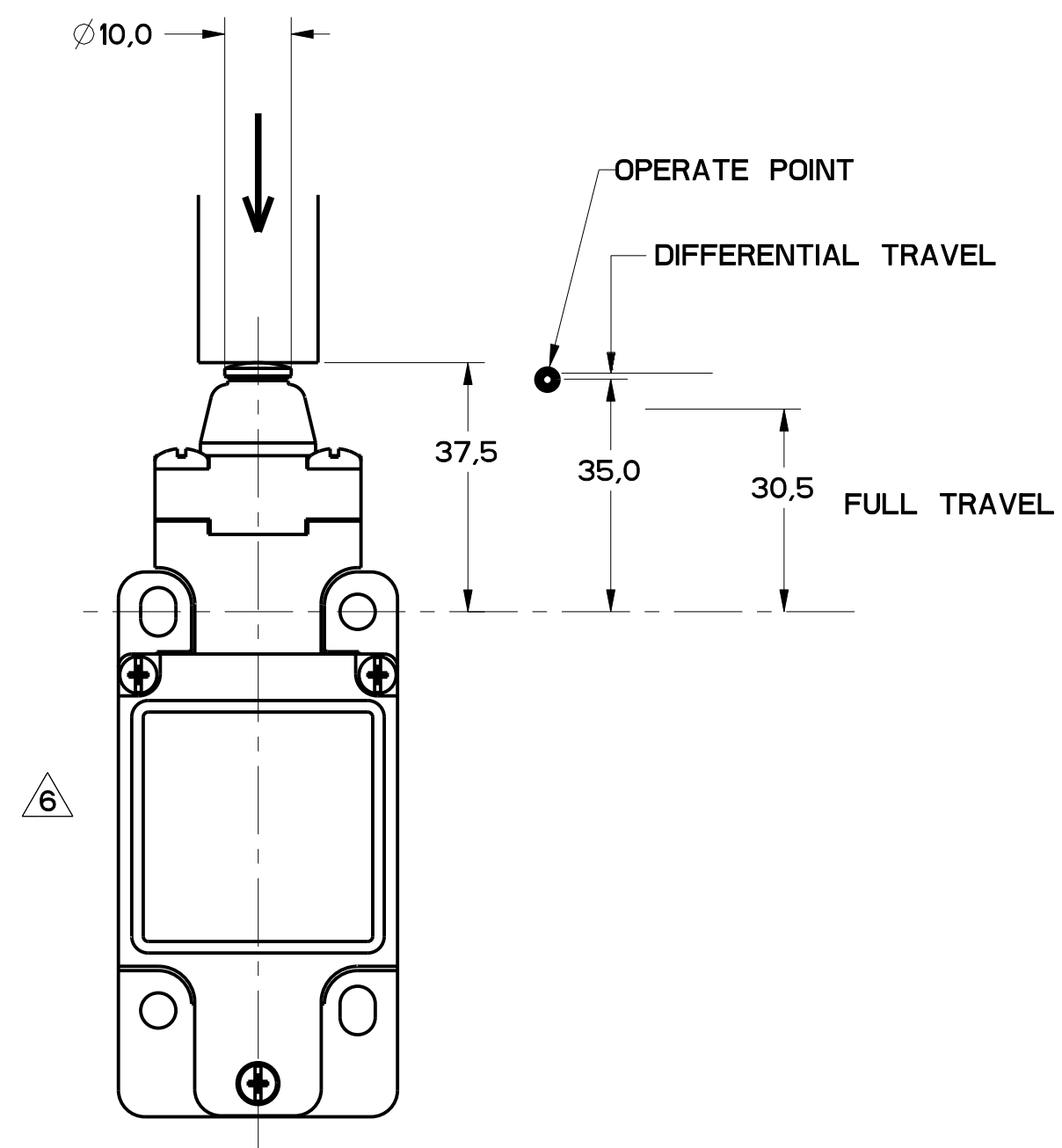


FIGURE 11

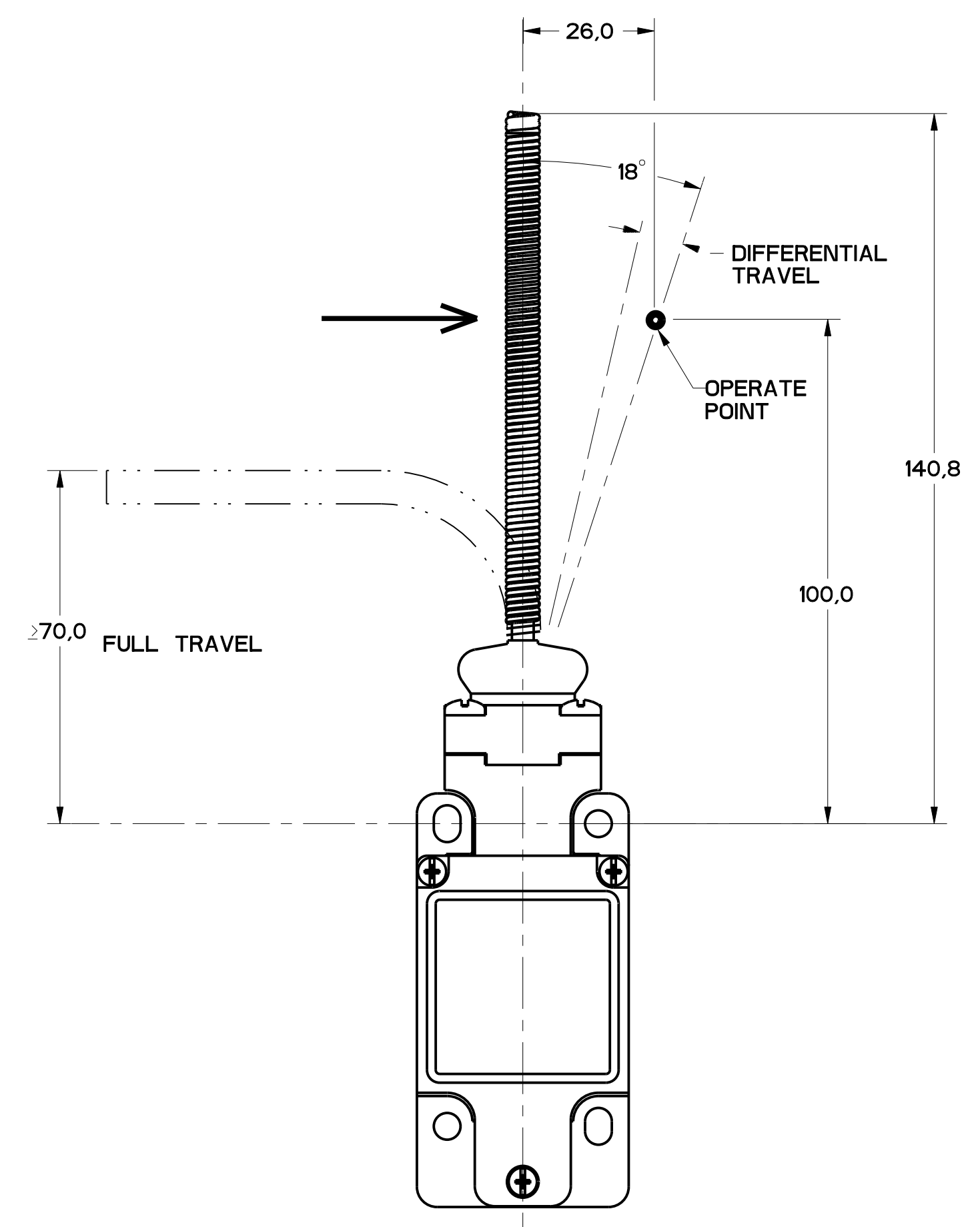


FIGURE 12

FIGURES 11, PIN PLUNGER HEAD, LINEAR ACTUATION

CATALOG LISTING	CONTACT BLOCK DIAGRAM	NOMINAL TRAVELS AND RELATED TERMINALS CONTACT CLOSED, CONTACT OPEN, CONTACT CLOSED DIFFERENTIAL TRAVEL, ** POSITIVE OPENING TO IEC 947-5-1	MAXIMUM OPERATING FORCE N LB	MAXIMUM DISCONNECT FORCE N LB	MAX OPERATE VEL m/s in/s	MIN OPERATE VEL m/s in/s	MAX OPERATE FREQUENCY OPS/MIN
GL**02B	SNAP - ACTION CONTACTS SINGLE POLE 	 21-22 37.5 35 33** 30.5 13-14 >< 0.9 DIFFERENTIAL TRAVEL	16 3.6	27 6.0	0.1 3.9	1.0 .04	250

FIGURE 12, WOBBLE HEAD, ANGULAR ACTUATION

CATALOG LISTING	CONTACT BLOCK DIAGRAM	NOMINAL TRAVELS AND RELATED TERMINALS CONTACT CLOSED, CONTACT OPEN, CONTACT CLOSED DIFFERENTIAL TRAVEL, ** POSITIVE OPENING TO IEC 947-5-1	MAXIMUM OPERATING TORQUE N·m LB/in	MAXIMUM DISCONNECT TORQUE N·m LB/in	MAX OPERATE DEGREE/S	MIN OPERATE VELOCITY DEGREE/S	MAX OPERATE RATE CYCLES/MIN
GL**02E	SNAP - ACTION CONTACTS SINGLE POLE 	 21-22 18° >< 13-14 8° DIFFERENTIAL TRAVEL	0.2 1.8	N/A	360	8	100

FIGURE 12, WOBBLE HEAD, SIDE ACTUATION AT 100mm

CATALOG LISTING	CONTACT BLOCK DIAGRAM	NOMINAL TRAVELS AND RELATED TERMINALS CONTACT CLOSED, CONTACT OPEN, CONTACT CLOSED DIFFERENTIAL TRAVEL, ** POSITIVE OPENING TO IEC 947-5-1	MAXIMUM OPERATING FORCE N LB	MAXIMUM DISCONNECT FORCE N LB	MAX OPERATE VEL m/s in/s	MIN OPERATE VEL m/s in/s	MAX OPERATE FREQUENCY OPS/MIN
GL**02E	SNAP - ACTION CONTACTS SINGLE POLE 	 21-22 26 >< 13-14 12 DIFFERENTIAL TRAVEL	2.5 0.6	N/A	.5 19.7	11 .43	100

ISSUE	11
DATE	5/1/82
BY	MDM
CHECKED	MDM
APPROVED	MDM
RELEASE NO.	PR-20782
PAGE	5 OF 8
REPLACES	

THIS DRAWING COVERS A PROPRIETARY ITEM AND IS THE PROPERTY OF MICRO SWITCH, A DIVISION OF HONEYWELL. THIS DRAWING IS NOT TO BE COPIED OR USED WITHOUT THE APPROVAL OF MICRO SWITCH.
 FED. MFG. CODE 91929 CATALOG LISTING
MICRO SWITCH
 a Honeywell Division
SWITCH, ENCLOSED
GL SERIES CHART 2

THIRD ANGLE PROJECTION
 SCALE FULL
 DO NOT SCALE PRINT
 TOLERANCES
 APPLY TO DESIGN UNITS. CONVERSIONS ARE ONLY FOR REFERENCE, UNLESS NOTED. TOLERANCES ARE:

NO PLACES	±.04	±.001	±.01	±.0005
TWO PLACES	±.02	±.0005	±.005	±.00025
THREE PLACES	±.015	±.00025	±.002	±.000125

 DESIGN UNITS: SI METRIC [X] US CUSTOMARY []
 WEIGHT

FIGURE 13A, ROLLER PLUNGER HEAD, PIN ACTUATION

CATALOG LISTING	CONTACT BLOCK DIAGRAM	NOMINAL TRAVELS AND RELATED TERMINALS CONTACT CLOSED, CONTACT OPEN, CONTACT CLOSED DIFFERENTIAL TRAVEL, ** POSITIVE OPENING TO IEC 947-5	MAXIMUM OPERATING FORCE LB	MAXIMUM DISCONNECT FORCE LB	MAX OPERATE VEL in/S	MIN OPERATE VEL in/S	MAX OPERATE FREQUENCY OPS/MIN
GL**02C	SNAP - ACTION CONTACTS SINGLE POLE 	 0.9 DIFFERENTIAL TRAVEL	16 3.6	27 6.0	0.1 3.9	1.0 .04	250

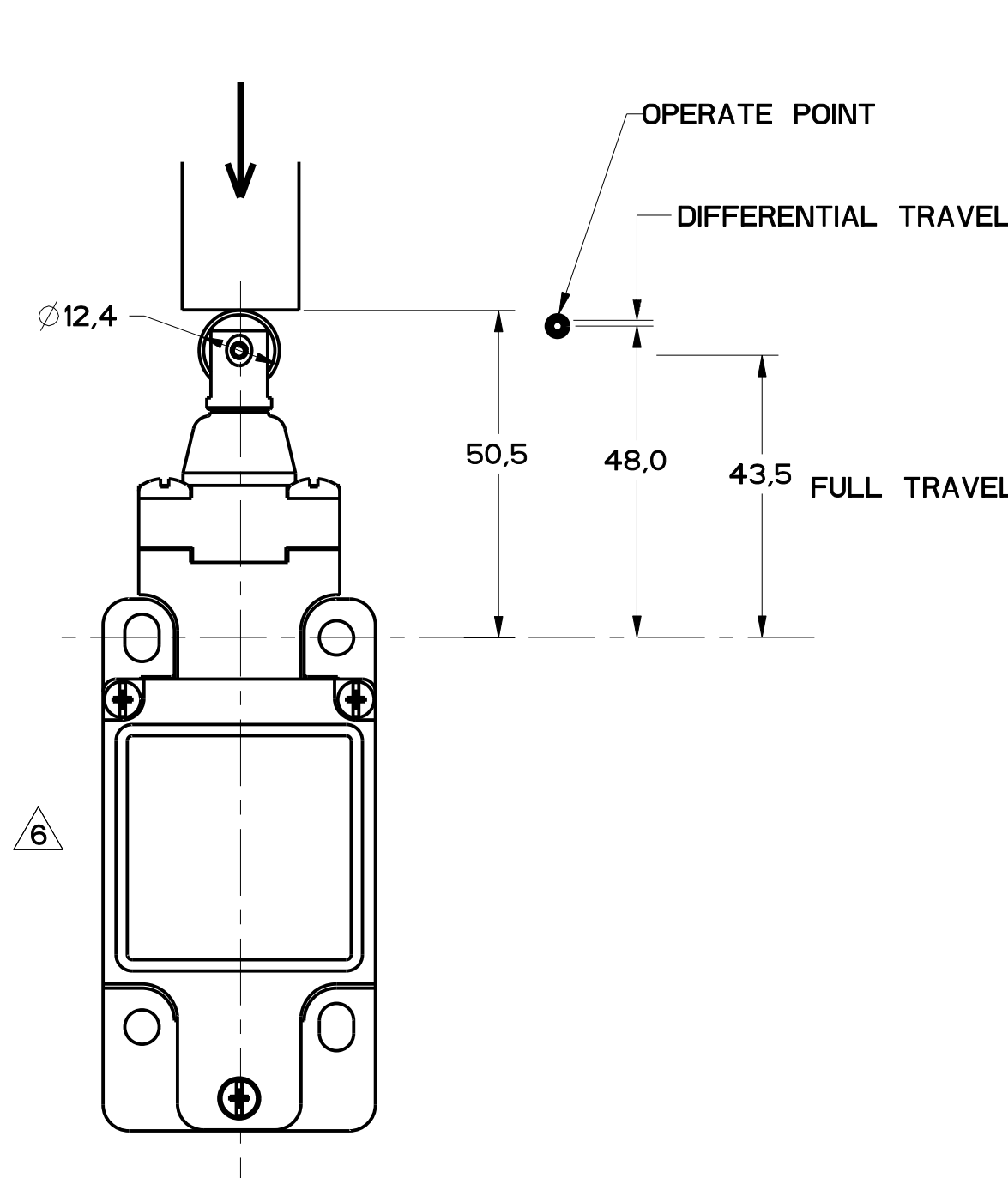


FIGURE 13A

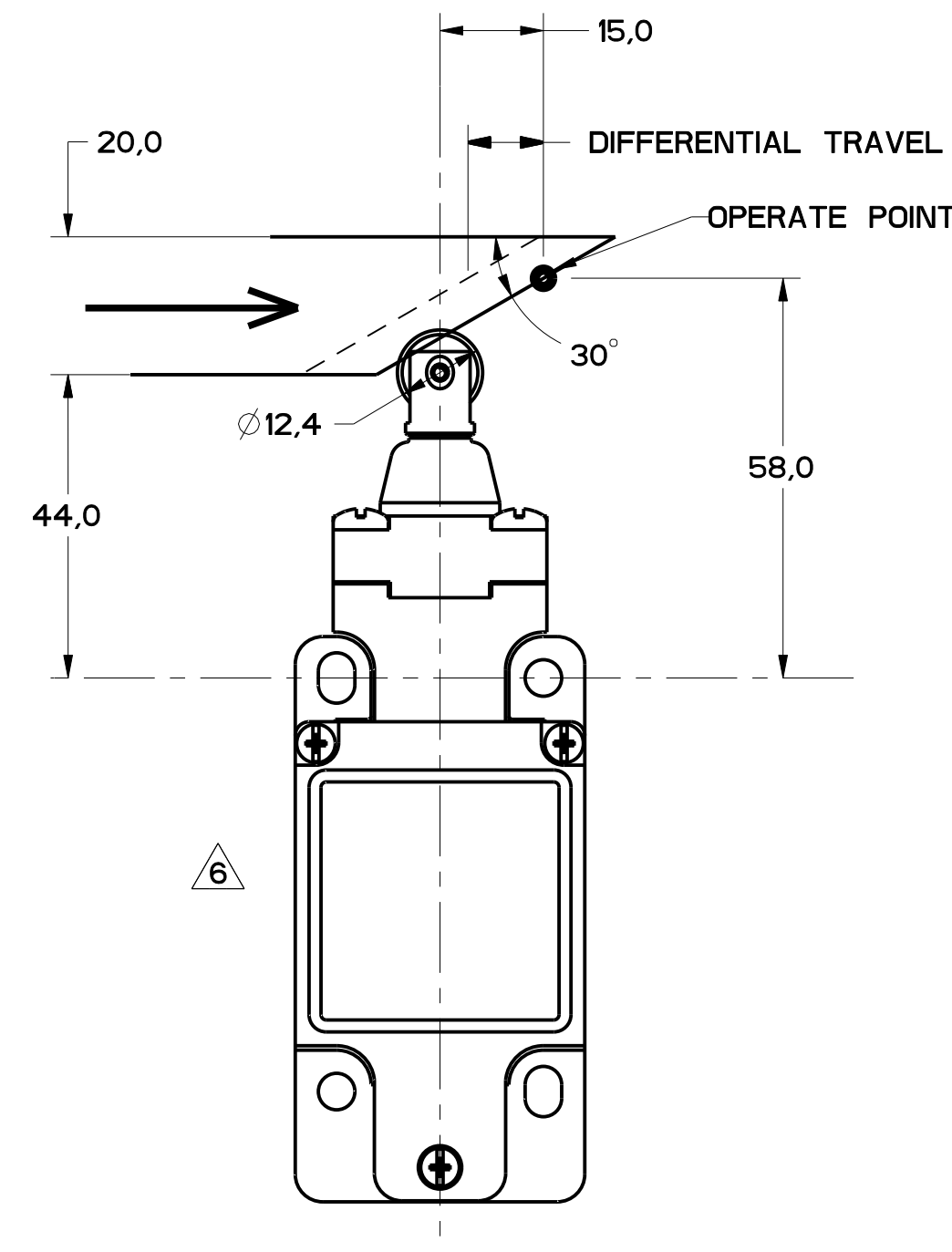


FIGURE 13B

FIGURE 13B, TOP ROLLER PLUNGER HEAD, CAM ACTUATION PER EN50041

CATALOG LISTING	CONTACT BLOCK DIAGRAM	NOMINAL TRAVELS AND RELATED TERMINALS CONTACT CLOSED, CONTACT OPEN, CONTACT CLOSED DIFFERENTIAL TRAVEL, ** POSITIVE OPENING TO IEC 947-5	MAXIMUM OPERATING FORCE LB	MAXIMUM DISCONNECT FORCE LB	MAX OPERATE VEL in/S	MIN OPERATE VEL in/S	MAX OPERATE FREQUENCY OPS/MIN
GL**02C	SNAP - ACTION CONTACTS SINGLE POLE 	 1.8 DIFFERENTIAL TRAVEL	9.3 2.1	15.6 3.5	0.17 6.7	1.7 .067	250

MBL SERIES CHART 2
 DRAWING NUMBER: 11
 PAGE: 6 OF 8
 RELEASE NO. PR-20782
 REPLACES: MDM

REV	DESCRIPTION	DATE	BY	CHKD
A	REVISED	11/85	MDM	MDM
B	REVISED	11/85	MDM	MDM
C	REVISED	11/85	MDM	MDM
D	REVISED	11/85	MDM	MDM
E	REVISED	11/85	MDM	MDM
F	REVISED	11/85	MDM	MDM
G	REVISED	11/85	MDM	MDM
H	REVISED	11/85	MDM	MDM
I	REVISED	11/85	MDM	MDM
J	REVISED	11/85	MDM	MDM
K	REVISED	11/85	MDM	MDM
L	REVISED	11/85	MDM	MDM
M	REVISED	11/85	MDM	MDM
N	REVISED	11/85	MDM	MDM
O	REVISED	11/85	MDM	MDM
P	REVISED	11/85	MDM	MDM
Q	REVISED	11/85	MDM	MDM
R	REVISED	11/85	MDM	MDM
S	REVISED	11/85	MDM	MDM
T	REVISED	11/85	MDM	MDM
U	REVISED	11/85	MDM	MDM
V	REVISED	11/85	MDM	MDM
W	REVISED	11/85	MDM	MDM
X	REVISED	11/85	MDM	MDM
Y	REVISED	11/85	MDM	MDM
Z	REVISED	11/85	MDM	MDM

THIS DRAWING COVERS A PROPRIETARY ITEM AND IS THE PROPERTY OF MICRO SWITCH, A DIVISION OF HONEYWELL. THIS DRAWING IS NOT TO BE COPIED OR USED WITHOUT THE APPROVAL OF MICRO SWITCH. FED. MFG. CODE 91929		CATALOG LISTING SWITCH, ENCLOSED GL SERIES CHART 2	
MICRO SWITCH a Honeywell Division		SI METRIC DESIGN UNITS: <input checked="" type="checkbox"/> SI METRIC <input type="checkbox"/> US CUSTOMARY WEIGHT:	

FIGURE 14A, TOP ROLLER LEVER HEAD WITH PIN ACTUATION

CATALOG LISTING	CONTACT BLOCK DIAGRAM	NOMINAL TRAVELS AND RELATED TERMINALS CONTACT CLOSED, CONTACT OPEN, CONTACT CLOSED DIFFERENTIAL TRAVEL, ** POSITIVE OPENING TO IEC 947-5	MAXIMUM OPERATING FORCE LB	MAXIMUM DISCONNECT FORCE LB	MAX OPERATE VEL in/S	MIN OPERATE VEL in/S	MAX OPERATE FREQUENCY OPS/MIN
GL**02D	SNAP - ACTION CONTACTS SINGLE POLE 	 1.7 DIFFERENTIAL TRAVEL	9.5 2.1	12 2.7	0.17 6.7	1.7 .067	250

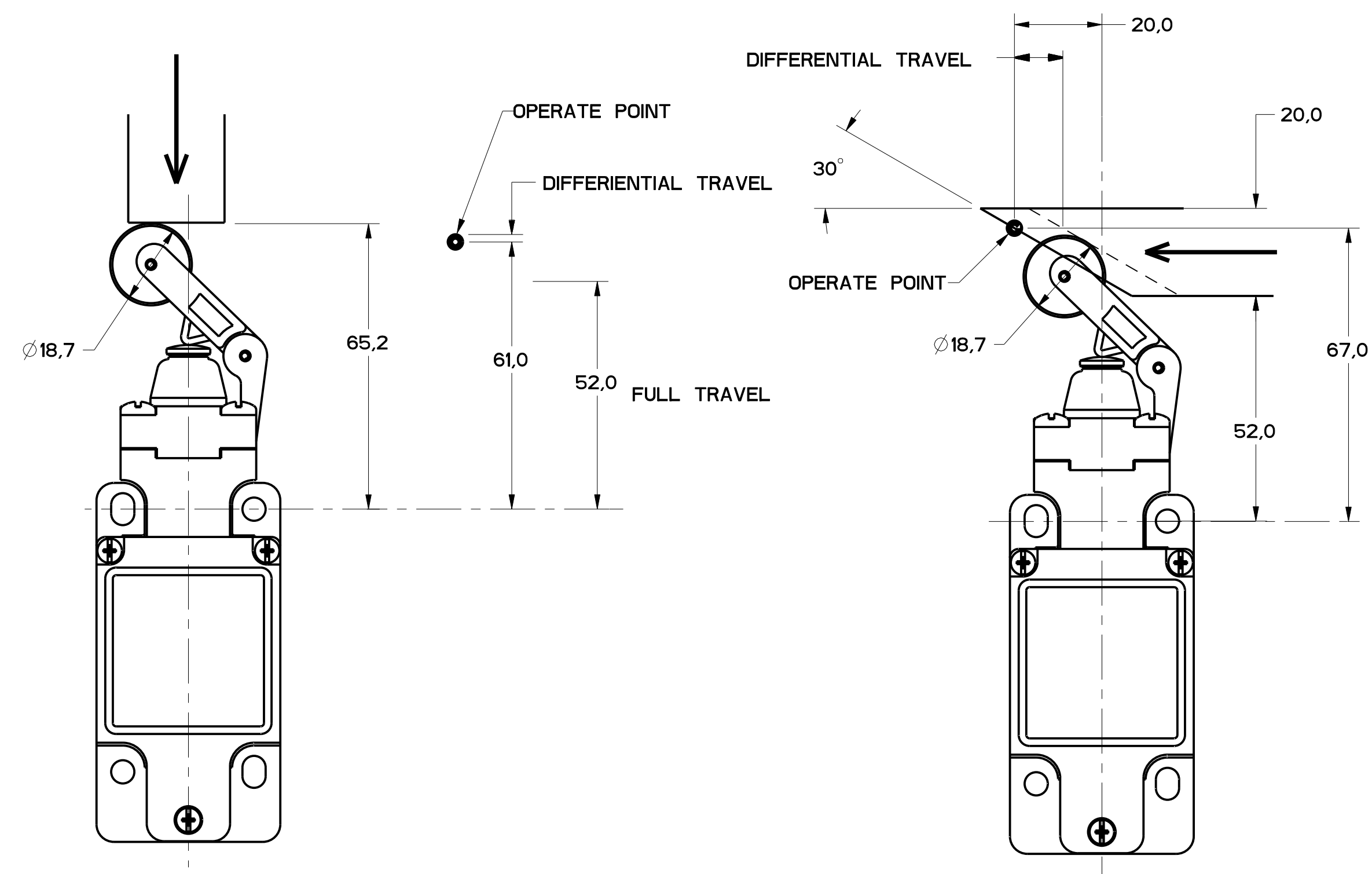


FIGURE 14A

FIGURE 14B

FIGURE 14B, TOP ROLLER LEVER HEAD WITH CAM ACTUATION

CATALOG LISTING	CONTACT BLOCK DIAGRAM	NOMINAL TRAVELS AND RELATED TERMINALS CONTACT CLOSED, CONTACT OPEN, CONTACT CLOSED DIFFERENTIAL TRAVEL, ** POSITIVE OPENING TO IEC 947-5	MAXIMUM OPERATING FORCE LB	MAXIMUM DISCONNECT FORCE LB	MAX OPERATE VEL in/S	MIN OPERATE VEL in/S	MAX OPERATE FREQUENCY OPS/MIN
GL**02D	SNAP - ACTION CONTACTS SINGLE POLE 	 4.1 DIFFERENTIAL TRAVEL	5.5 1.2	7.0 1.6	0.29 11.4	2.9 .11	250

11	MDM
12	MDM
13	MDM
14	MDM
15	MDM
16	MDM
17	MDM
18	MDM
19	MDM
20	MDM
21	MDM
22	MDM
23	MDM
24	MDM
25	MDM
26	MDM
27	MDM
28	MDM
29	MDM
30	MDM
31	MDM
32	MDM
33	MDM
34	MDM
35	MDM
36	MDM
37	MDM
38	MDM
39	MDM
40	MDM
41	MDM
42	MDM
43	MDM
44	MDM
45	MDM
46	MDM
47	MDM
48	MDM
49	MDM
50	MDM

THIS DRAWING COVERS A PROPRIETARY ITEM AND IS THE PROPERTY OF MICRO SWITCH, A DIVISION OF HONEYWELL. THIS DRAWING IS NOT TO BE COPIED OR USED WITHOUT THE APPROVAL OF MICRO SWITCH.

FED. MFG. CODE 91929

MICRO SWITCH a Honeywell Division

SWITCH, ENCLOSED

CATALOG LISTING

GL SERIES CHART 2

DESIGN UNITS: SI METRIC [X] US CUSTOMARY []

WEIGHT

NO PLACES	1X	1/16	1/16	0.015
TWO PLACES	1X, 1X	0.0015	0.0015	0.0015
THREE PLACES	1X, 1X, 1X	0.0015	0.0015	0.0015

THIRD ANGLE PROJECTION

SCALE: FULL

DO NOT SCALE PRINT

TOLERANCES

APPLY TO DESIGN UNITS. CONCESSIONS ARE ONLY FOR REFERENCE, UNLESS NOTED. TOLERANCES ARE:

FIGURE 15, CAT WISKER HEAD, ANGULAR ACTUATION

CATALOG LISTING	CONTACT BLOCK DIAGRAM	NOMINAL TRAVELS AND RELATED TERMINALS CONTACT CLOSED, CONTACT OPEN, DIFFERENTIAL TRAVEL	MAXIMUM OPERATING TORQUE LB-IN	MAXIMUM DISCONNECT TORQUE LB-IN	MAX OPERATE DEGREE/S	MIN OPERATE VELOCITY DEGREE/S	MAX OPERATE RATE CYCLES/MIN
GL**02K	SNAP - ACTION CONTACTS SINGLE POLE 		$\frac{0.1}{.9}$	N/A	360	8	100

FIGURE 15, CAT WISKER HEAD, SIDE ACTUATION AT 100mm

CATALOG LISTING	CONTACT BLOCK DIAGRAM	NOMINAL TRAVELS AND RELATED TERMINALS CONTACT CLOSED, CONTACT OPEN, DIFFERENTIAL TRAVEL	MAXIMUM OPERATING FORCE LB	MAXIMUM DISCONNECT FORCE LB	MAX OPERATE VEL IN/S	MIN OPERATE VEL IN/S	MAX OPERATE FREQUENCY OPS/MIN
GL**02K	SNAP - ACTION CONTACTS SINGLE POLE 		$\frac{1.3}{.3}$	N/A	$\frac{.5}{19.7}$	$\frac{11}{.43}$	100

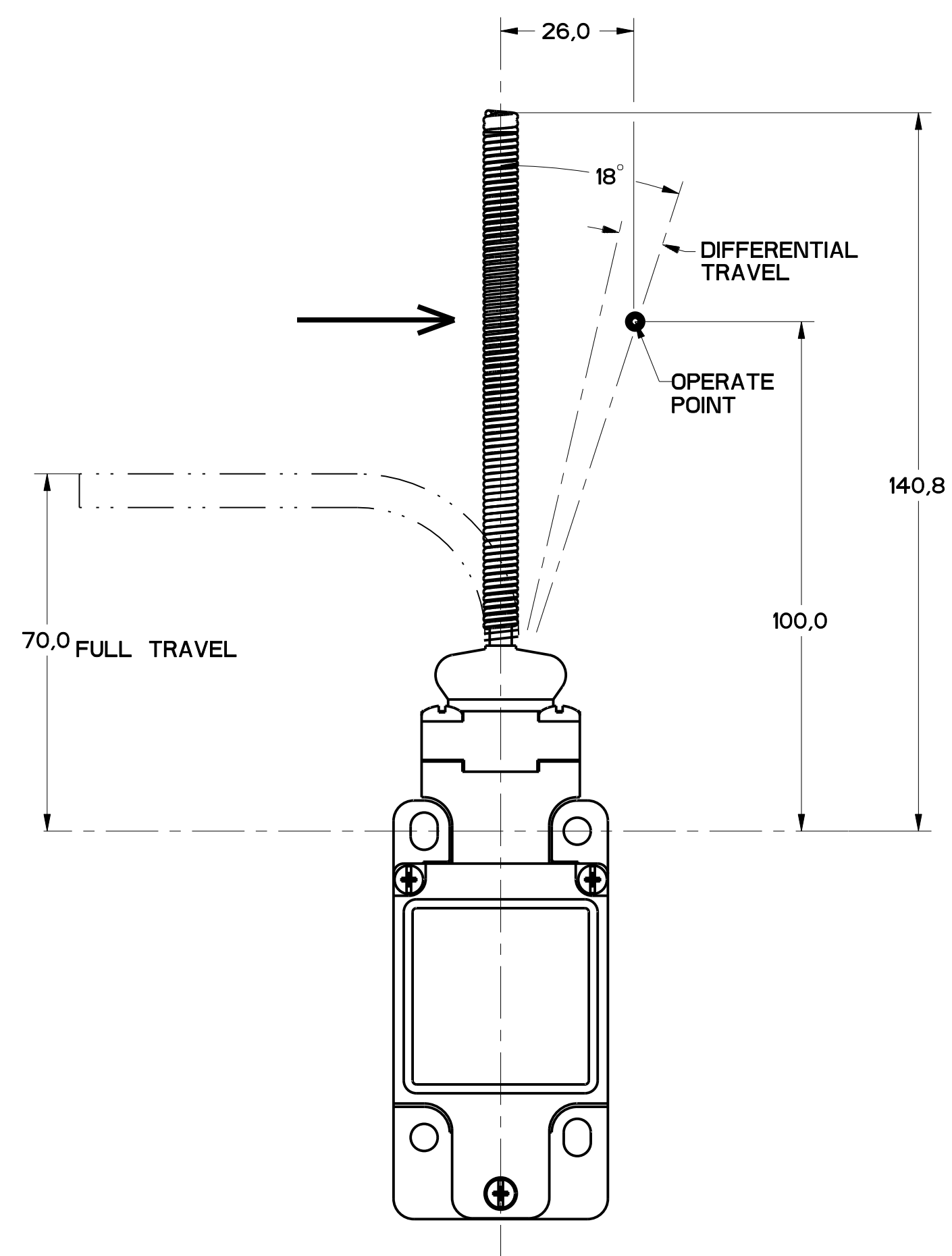


FIGURE 15

11	ISSUE	MDM
1	DESIGNING	MDM
2	CHECK	MDM
3	APPROVE	MDM
4	RELEASE	MDM

REV	DATE	BY	CHKD	APP'D
A	11/10/92	MDM	MDM	MDM
B	01/13/93	MDM	MDM	MDM
C	00/04/01	MDM	MDM	MDM
D	00/28/86	MDM	MDM	MDM
E	01/17/82	MDM	MDM	MDM

THIS DRAWING COVERS A PROPRIETARY ITEM AND IS THE PROPERTY OF MICRO SWITCH, A DIVISION OF HONEYWELL. THIS DRAWING IS NOT TO BE COPIED OR USED WITHOUT THE APPROVAL OF MICRO SWITCH.

FED. MFG. CODE 91929

MICRO SWITCH
a Honeywell Division

SWITCH, ENCLOSED

CATALOG LISTING
GL SERIES CHART 2

NO PLACES	±.04	±.04	±.04	±.04
TWO PLACES	±.04	±.04	±.04	±.04
THREE PLACES	±.04	±.04	±.04	±.04

DESIGN UNITS: SI METRIC US CUSTOMARY

WEIGHT



Компания «ЭлектроПласт» предлагает заключение долгосрочных отношений при поставках импортных электронных компонентов на взаимовыгодных условиях!

Наши преимущества:

- Оперативные поставки широкого спектра электронных компонентов отечественного и импортного производства напрямую от производителей и с крупнейших мировых складов;
- Поставка более 17-ти миллионов наименований электронных компонентов;
- Поставка сложных, дефицитных, либо снятых с производства позиций;
- Оперативные сроки поставки под заказ (от 5 рабочих дней);
- Экспресс доставка в любую точку России;
- Техническая поддержка проекта, помощь в подборе аналогов, поставка прототипов;
- Система менеджмента качества сертифицирована по Международному стандарту ISO 9001;
- Лицензия ФСБ на осуществление работ с использованием сведений, составляющих государственную тайну;
- Поставка специализированных компонентов (Xilinx, Altera, Analog Devices, Intersil, Interpoint, Microsemi, Aeroflex, Peregrine, Syfer, Eurofarad, Texas Instrument, Miteq, Cobham, E2V, MA-COM, Hittite, Mini-Circuits, General Dynamics и др.);

Помимо этого, одним из направлений компании «ЭлектроПласт» является направление «Источники питания». Мы предлагаем Вам помощь Конструкторского отдела:

- Подбор оптимального решения, техническое обоснование при выборе компонента;
- Подбор аналогов;
- Консультации по применению компонента;
- Поставка образцов и прототипов;
- Техническая поддержка проекта;
- Защита от снятия компонента с производства.



Как с нами связаться

Телефон: 8 (812) 309 58 32 (многоканальный)

Факс: 8 (812) 320-02-42

Электронная почта: org@eplast1.ru

Адрес: 198099, г. Санкт-Петербург, ул. Калинина, дом 2, корпус 4, литера А.