

SIDE ROTARY

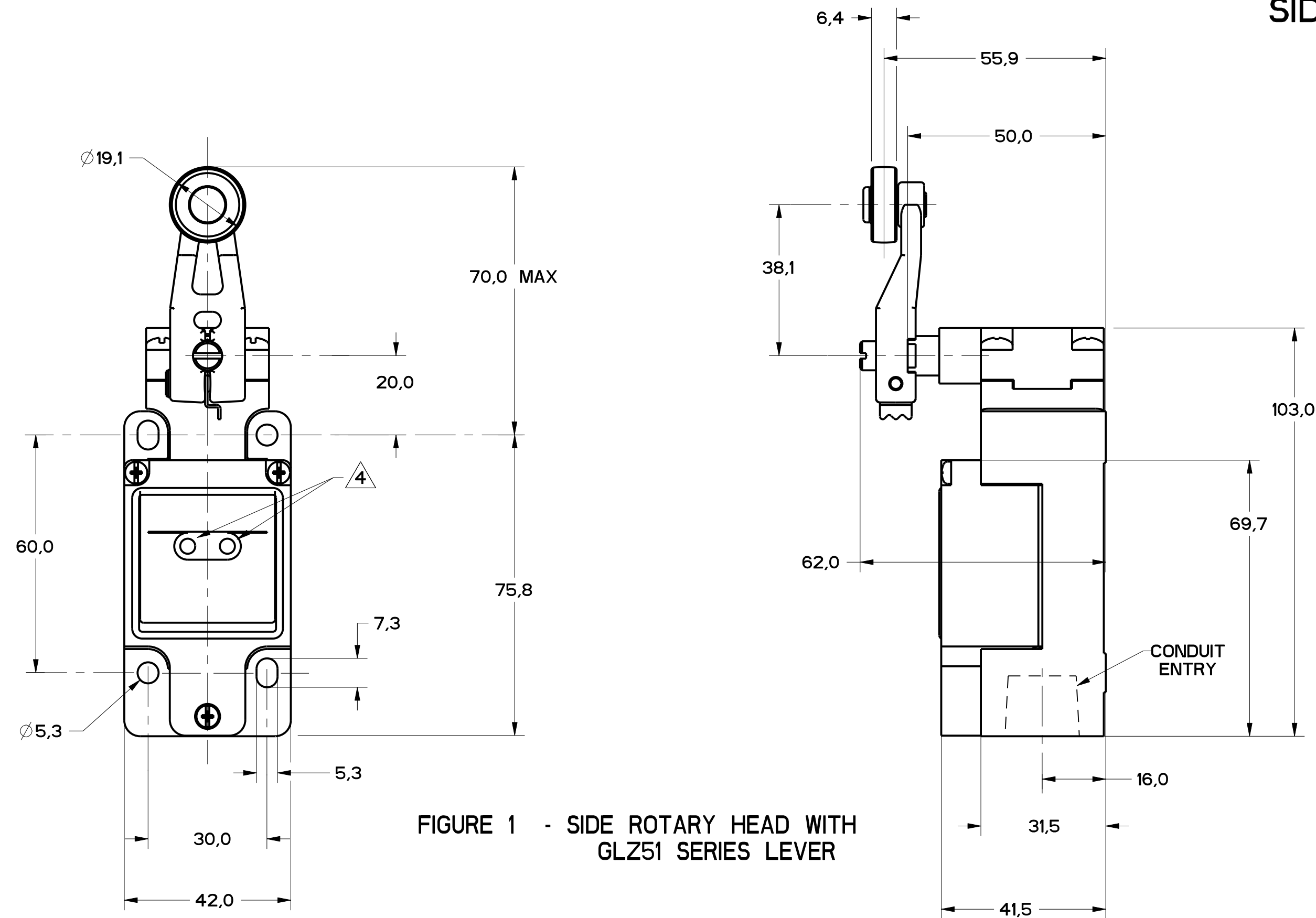


FIGURE 1 - SIDE ROTARY HEAD WITH GLZ51 SERIES LEVER

ALUMINUM ROD  
 GLZ54J: 200,00 / 7.870 MAX  
 GLZ54K: 140,00 / 5.510 MAX  
 STAINLESS STEEL ROD  
 GLZ54N: 318,00 / 12.490 MAX

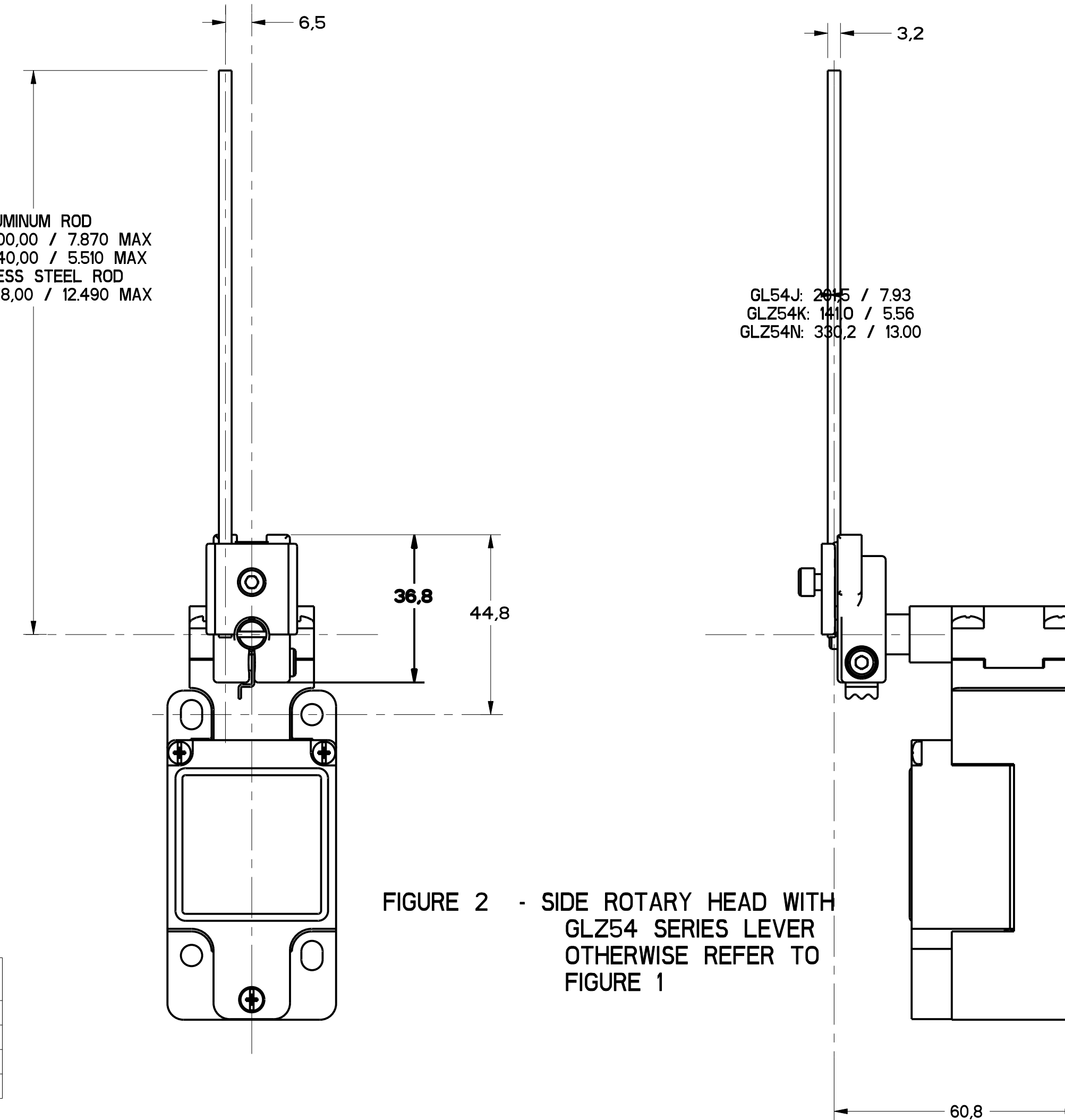


FIGURE 2 - SIDE ROTARY HEAD WITH GLZ54 SERIES LEVER OTHERWISE REFER TO FIGURE 1

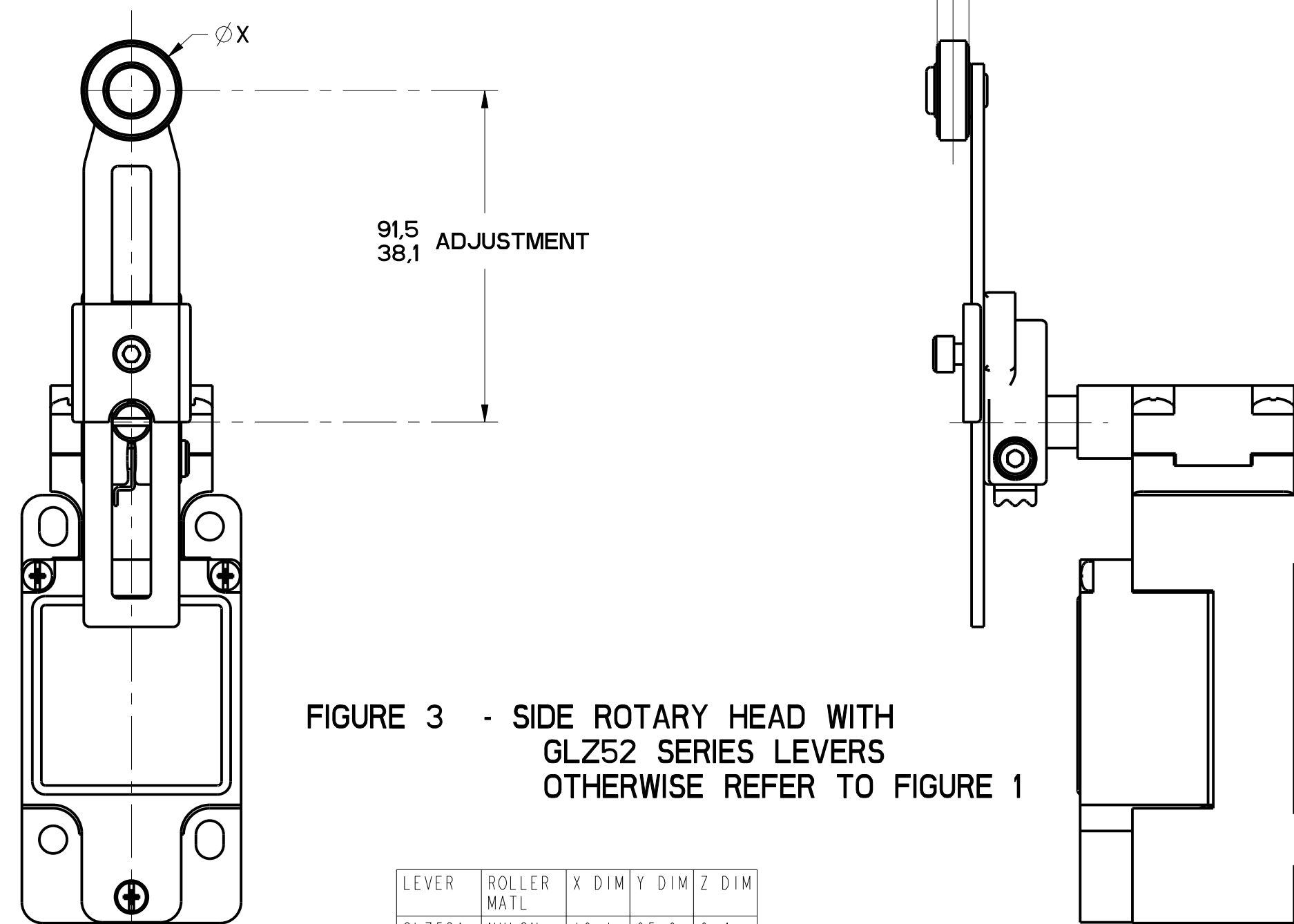


FIGURE 3 - SIDE ROTARY HEAD WITH GLZ52 SERIES LEVERS OTHERWISE REFER TO FIGURE 1

FIGURE	CATALOG LISTING	CONDUIT ENTRY
1A	GL*A SERIES	1/2-14 NPT
1B	GL*B SERIES	PG13.5
1C	GL*C SERIES	20mm
1D	GL*D SERIES	PF1/2

ELECTRICAL RATING $\Delta 5$			
AC		DC	
A600 Ue	AC15 Ie	O300 Ue	DC13 Ie
(VOLTS)	(AMPS)	(VOLTS)	(AMPS)
120	6	24	2.8
240	3	125	.55
380	1.9	250	.27
480	1.5		
500	1.4		
600	1.2		

ENVIRONMENTAL RATING	
IP67	
NEMA/UL TYPES 1, 4, 12, 13	

- NOTES
- HEADS MAY BE INDEXED IN 90° INCREMENTS
  - LEVERS MAY BE KEYED TO THE SHAFT AT 90° INCREMENTS. THEY MAY ALSO BE ATTACHED, BUT NOT KEYED ANYWHERE ON THE SHAFT.
  - FOR ADDITIONAL LEVERS SEE "M" DRAWING CHART GLZ5
  - THE RIGHT INDICATOR IS YELLOW AND INDICATES "OUTPUT STATUS" IT IS ON GLG SERIES PRODUCTS ONLY.
  - THE MAXIMUM VOLTAGE,  $V_e$  OF GLG SERIES PRODUCTS IS THE MAXIMUM RATED VOLTAGE OF INDICATION LIGHTS
  - FREE POSITION, OPERATE POINT, OVERTRAVEL AND PRETRAVEL ALL TO EN50041
  - CAM TRAVEL FOR FIG 9 ONLY APPLIES WHEN LEVER IS ADJUSTED TO 38,1 / 1.50
  - TEMPERATURE RANGE  
 (ALL PRODUCTS EXCEPT W/SIDE ROTARY OPERATING HEAD)  
 OPERATING: -25°C TO +85°C / -13°F TO +185°F  
 STORAGE: -40°C TO +85°C / -40°F TO +185°F  
 (PRODUCTS W/SIDE ROTARY OPERATING HEAD)  
 OPERATING: -40°C TO +85°C / -40°F TO +185°F  
 STORAGE: -40°C TO +85°C / -40°F TO +185°F

CATALOG LISTING	BODY DIMENSIONS, FIGURE	HEAD DIMENSIONS, FIGURE	HEAD ACTUATION, FIGURE
GLB****	I	N/A	N/A
GLG****	I	N/A	N/A
GLJ****	I	N/A	N/A
GLA****	1A	N/A	N/A
GLB****	1B	N/A	N/A
GLC****	1C	N/A	N/A
GLD****	1D	N/A	N/A
GL****A1*	I	1	8
GL****A2*	I	3	9
GL****A4*	I	2	10
GL****A5*	I		8
GL****B	I	4	11
GL****C	I	5	13A, 13B
GL****D	I	6	14A, 14B
GL****E7A	I	7A	12
GL****E7B	I	7	12
GL****E7C	I	7E	12
GL****E7D	I	7B	12
GL****K8A	I	7C	15
GL****K8B	I	7D	15
GL****K8C	I	7	15

LEVER	ROLLER MATL	X DIM	Y DIM	Z DIM
GLZ52A	NYLON	19,1 .75	65,9 2.59	6,4 .25
GLZ52B	STEEL	19,1 .75	65,9 2.59	6,4 .25
GLZ52D	NYLON	38,1 1.5	65,9 2.59	6,4 .25
GLZ52E	NYLON	19,1 .75	79,37 3.125	33,07 1.300
GLZ52W	RUBBER	40,0 1.5	71,5 2.81	12,7 .5
GLZ52Y	RUBBER	50,9 2.0	71,5 2.81	12,7 .5

THIS DRAWING COVERS A PROPRIETARY ITEM AND IS THE PROPERTY OF MICRO SWITCH, A DIVISION OF HONEYWELL. THIS DRAWING IS NOT TO BE COPIED OR USED WITHOUT THE APPROVAL OF MICRO SWITCH.

FED. MFG. CODE 91929

**MICRO SWITCH**  
a Honeywell Division

SWITCH, ENCLOSED

CATALOG LISTING  
**GL SERIES CHART 2**

SI METRIC  US CUSTOMARY

THIRD ANGLE PROJECTION

SCALE FULL

DO NOT SCALE PRINT

TOLERANCES

APPLY TO DESIGN UNITS. CONVERSIONS ARE ONLY FOR REFERENCE. UNLESS NOTED, TOLERANCES ARE:

	FR	IN	FR	IN
NO PLACES	X	12,00	F	0.01, 0.05
TWO PLACES	X,1X	0.01, 0.05	F,1X	0.001, 0.005
THREE PLACES	X,1X,1X	0.001, 0.005	F,1X,1X	0.0001, 0.0005
ANGLES		±0.2°		±0.005

DESIGN UNITS  SI METRIC  US CUSTOMARY

WEIGHT

MGL SERIES CHART 2  
 DRAWING NUMBER 1 OF 8  
 RELEASE NO. PR-20782  
 CHECKED MDM  
 DATE 11  
 PTC/CAD  
 S.A.V. 28MAR06  
 P.T.C./CAD  
 S.A.V. 28MAR06

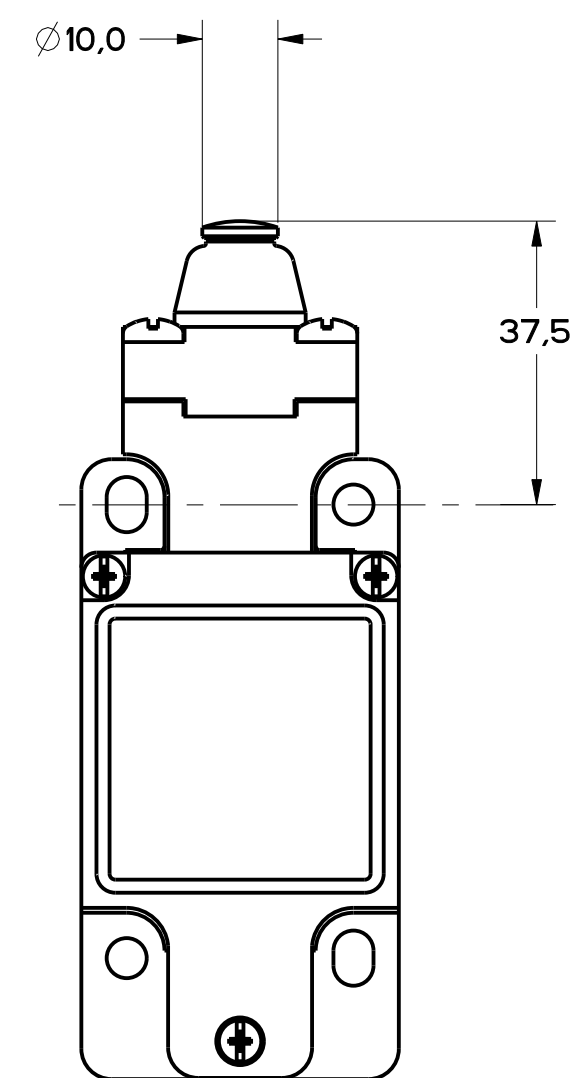


FIGURE 4 - TOP PIN PLUNGER HEAD  
OTHERWISE REFER TO  
FIGURE 1

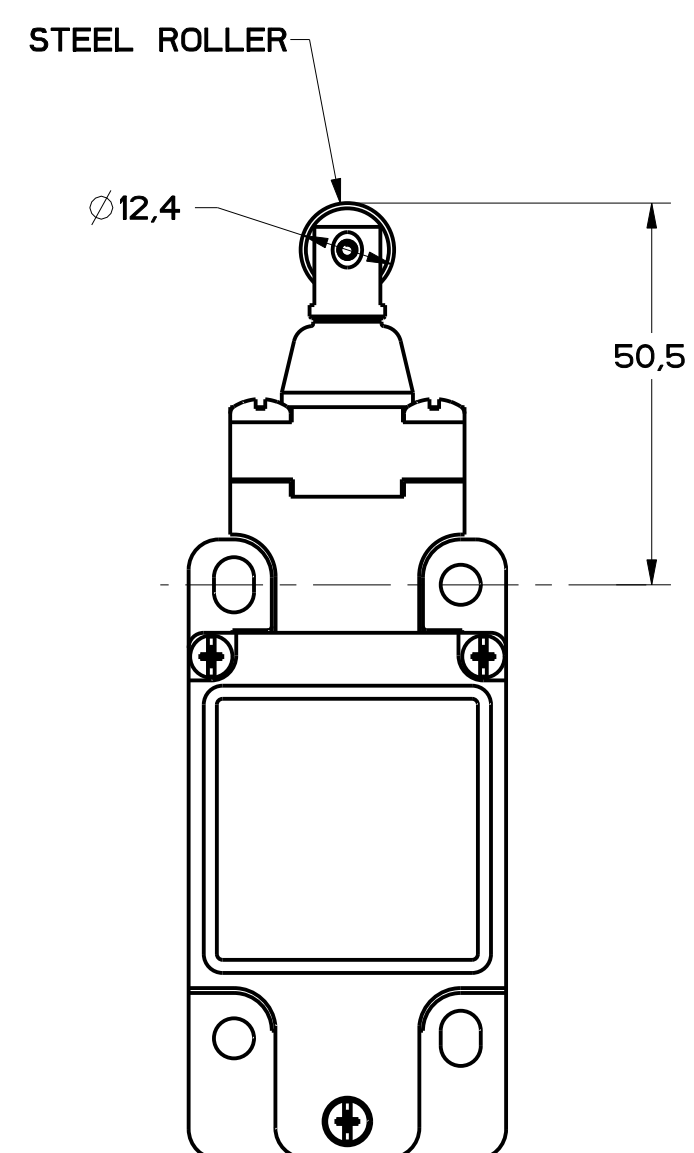
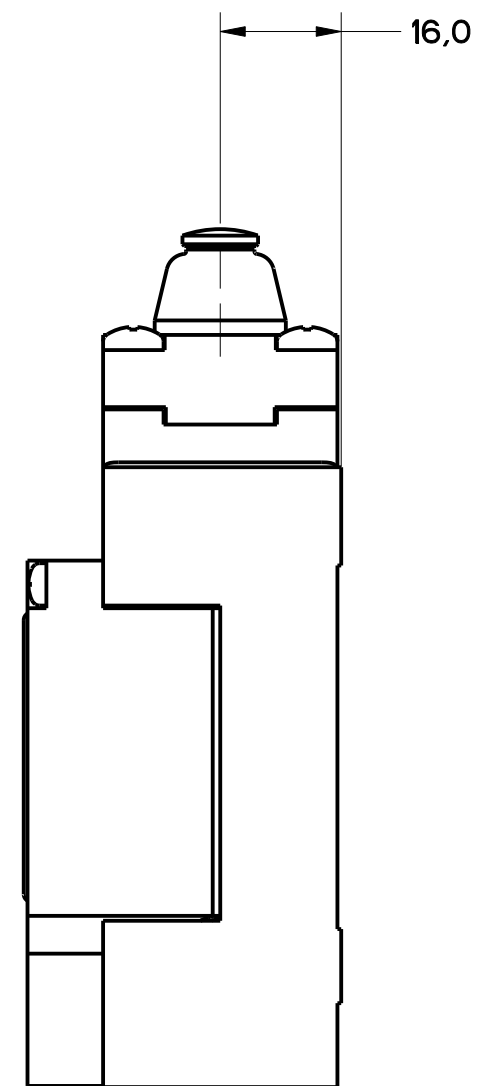


FIGURE 5 - TOP ROLLER PLUNGER HEAD  
OTHERWISE REFER TO  
FIGURE 1

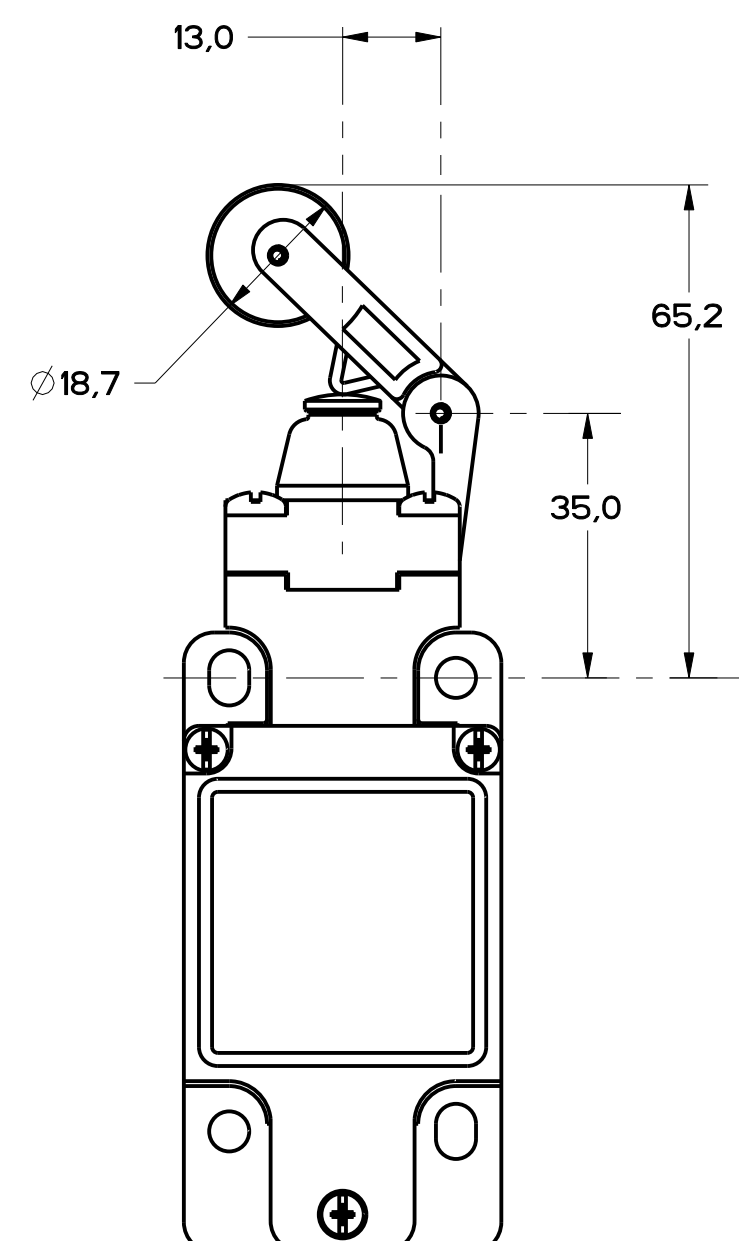
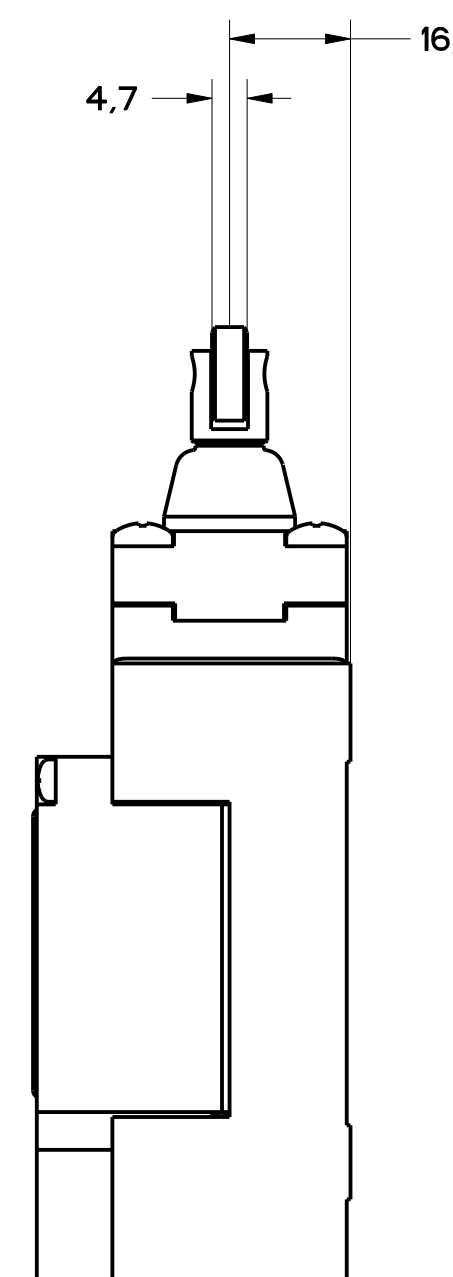
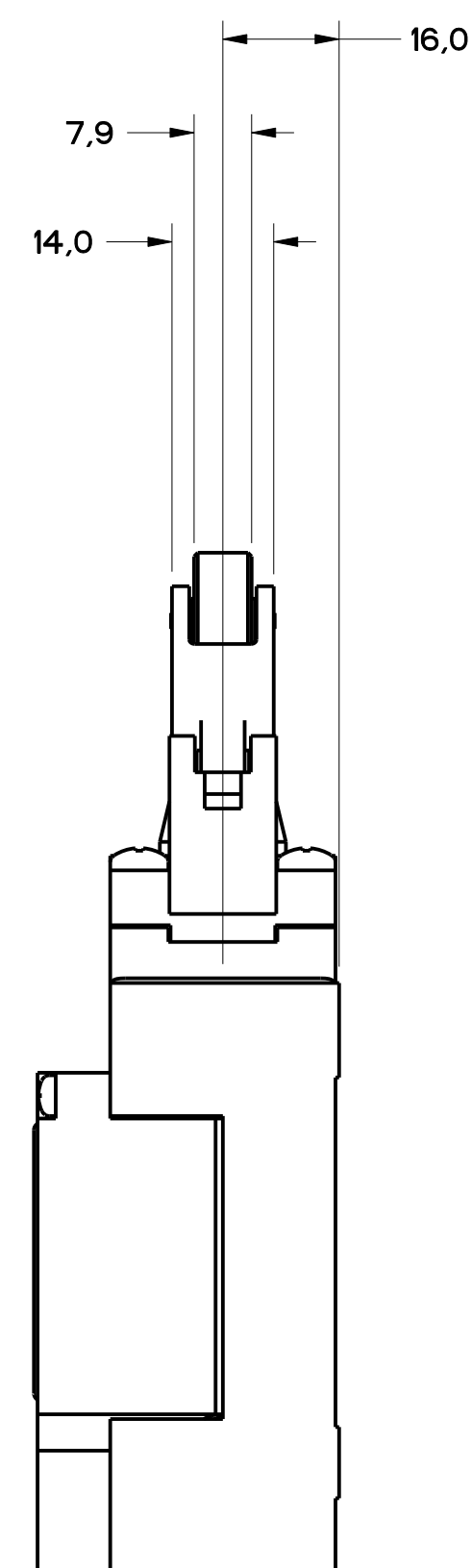


FIGURE 6 - TOP LEVER HEAD,  
OTHERWISE REFER TO  
FIGURE 1



MGL SERIES CHART 2

DRAWING NUMBER: 11 OF 8  
RELEASE NO. PR-20782  
CHECKED: MDM  
DATE: 12/20/82  
DESIGNED: P.T.C./CAD  
DRAWN: WLS

THIS DRAWING COVERS A PROPRIETARY ITEM AND IS THE PROPERTY OF MICRO SWITCH, A DIVISION OF HONEYWELL. THIS DRAWING IS NOT TO BE COPIED OR USED WITHOUT THE APPROVAL OF MICRO SWITCH.		FEDERAL MFG. CODE 91929		CATALOG LISTING	
<b>MICRO SWITCH</b> a Honeywell Division		SWITCH, ENCLOSED		GL SERIES CHART 2	
DESIGN UNITS: <input checked="" type="checkbox"/> SI METRIC <input type="checkbox"/> US CUSTOMARY		TOLERANCES: DO NOT SCALE PRINT		THIRD ANGLE PROJECTION	
SCALE: FULL		TOLERANCES: APPLY TO DESIGN UNITS. CONCESSIONS ARE ONLY FOR REFERENCE, UNLESS NOTED. TOLERANCES ARE:		TOLERANCES:	
NO PLACES	X	17.04	±	0.81/0.5	
TWO PLACES	X, XX	0.40/0.16	±	0.30/0.15	
THREE PLACES	X, XX, XXX	0.15/0.05	±	0.13/0.05	
ANGLES		± 2			
WEIGHT		SI METRIC: <input checked="" type="checkbox"/>		US CUSTOMARY: <input type="checkbox"/>	

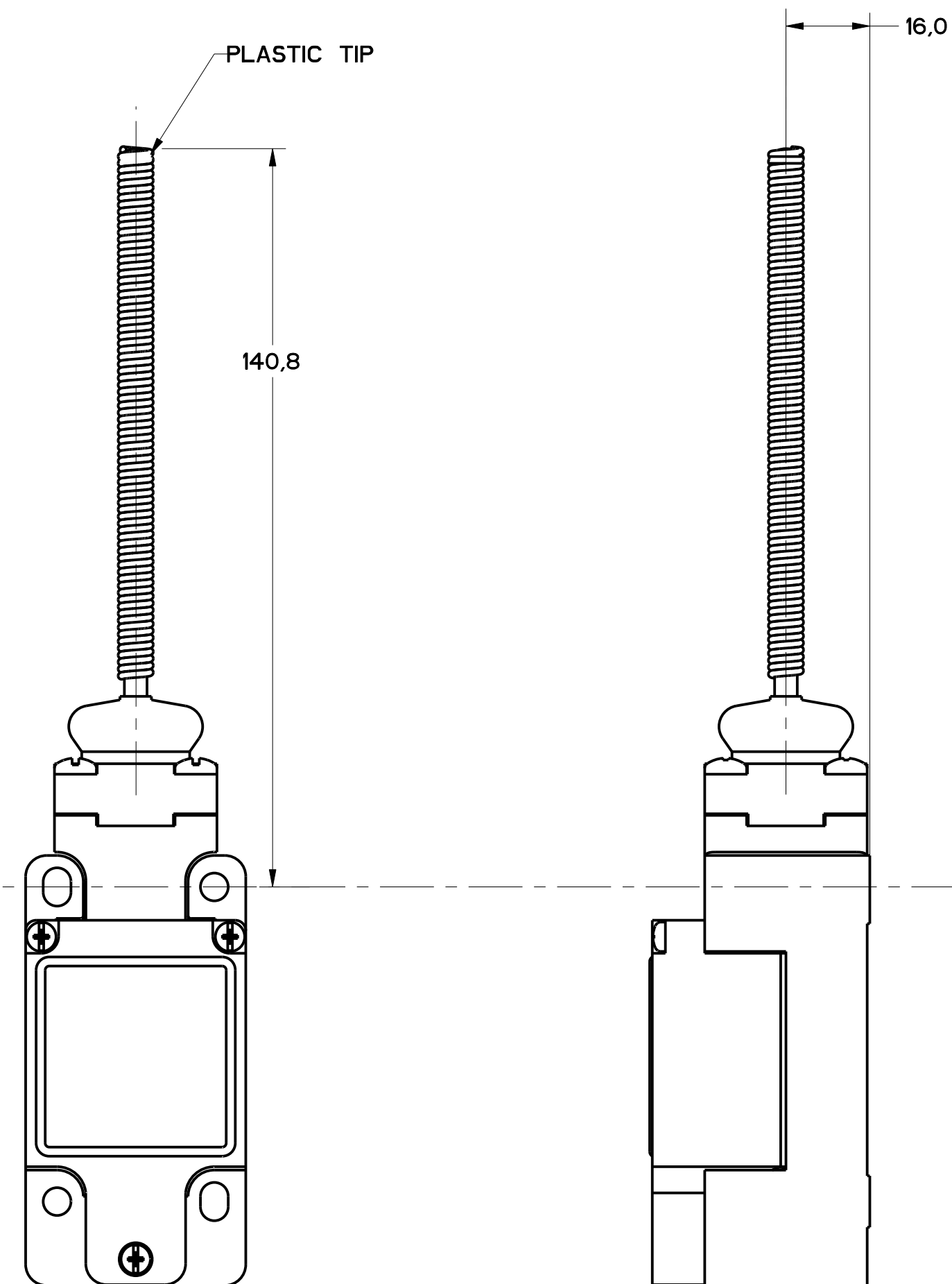


FIGURE 7 - WOBBLE HEAD, AND CAT WHISKER HEAD COIL ACTUATOR, OTHERWISE REFER TO FIGURE 1

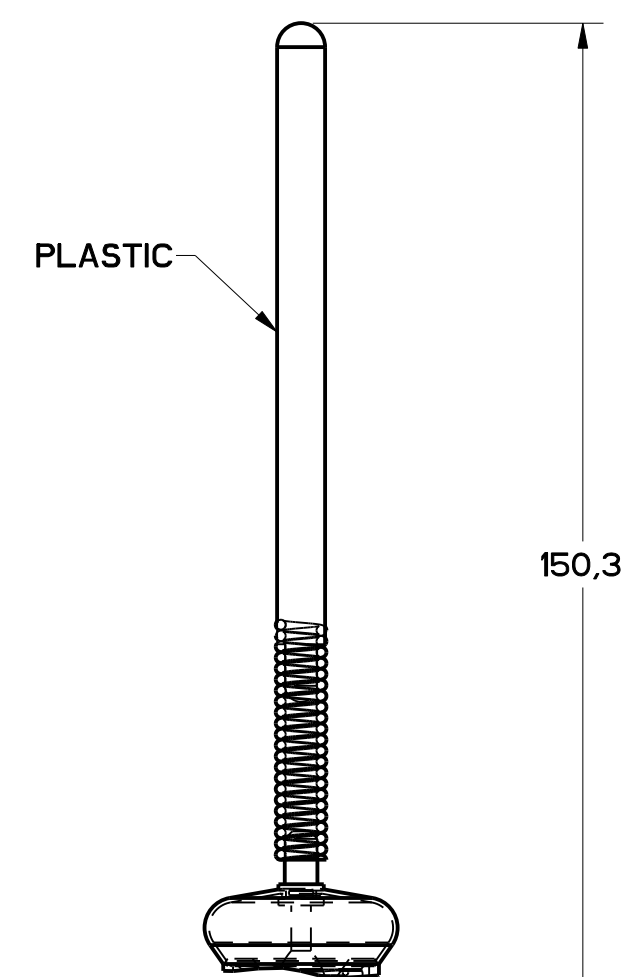


FIGURE 7A - WOBBLE HEAD, PLASTIC ACTUATOR, OTHERWISE SAME AS FIGURE 7

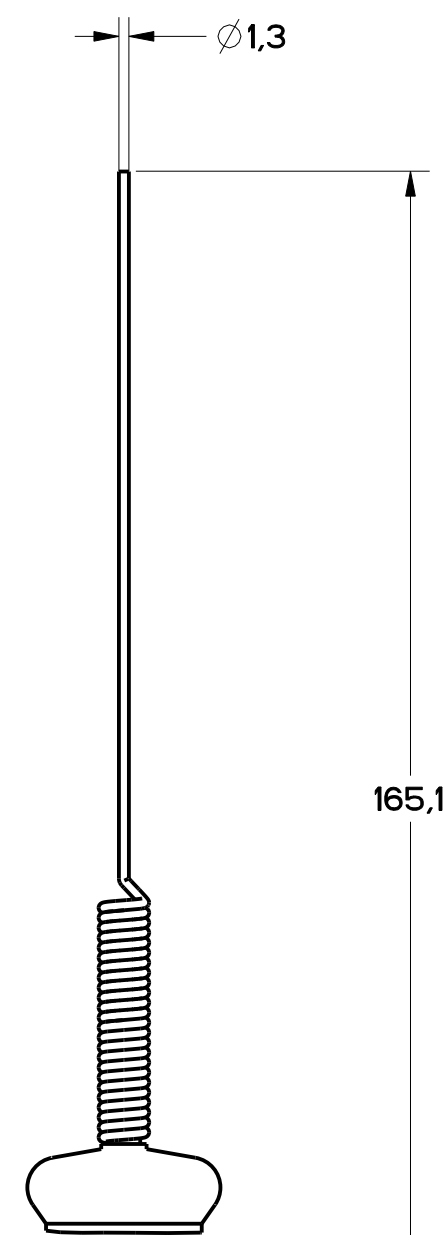


FIGURE 7B - WOBBLE HEAD STAINLESS STEEL SPRING ACTUATOR, OTHERWISE SAME AS FIGURE 7

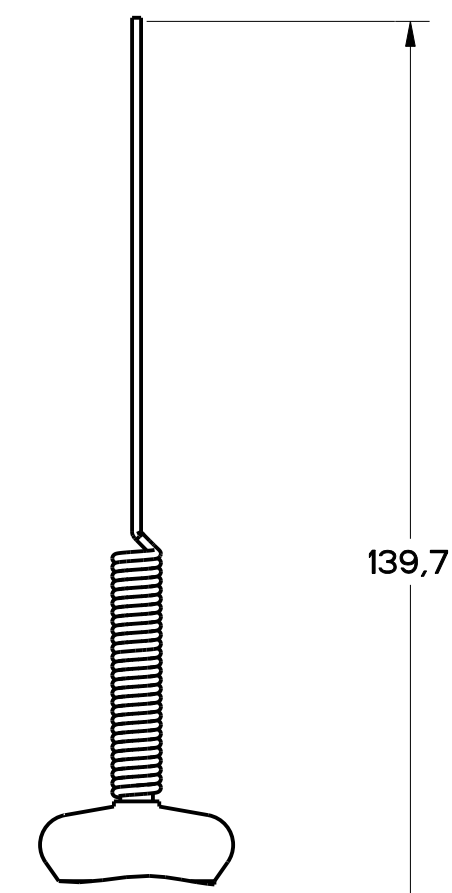


FIGURE 7C - CAT WHISKER ACTUATOR STAINLESS STEEL SPRING OTHERWISE SAME AS FIGURE 7

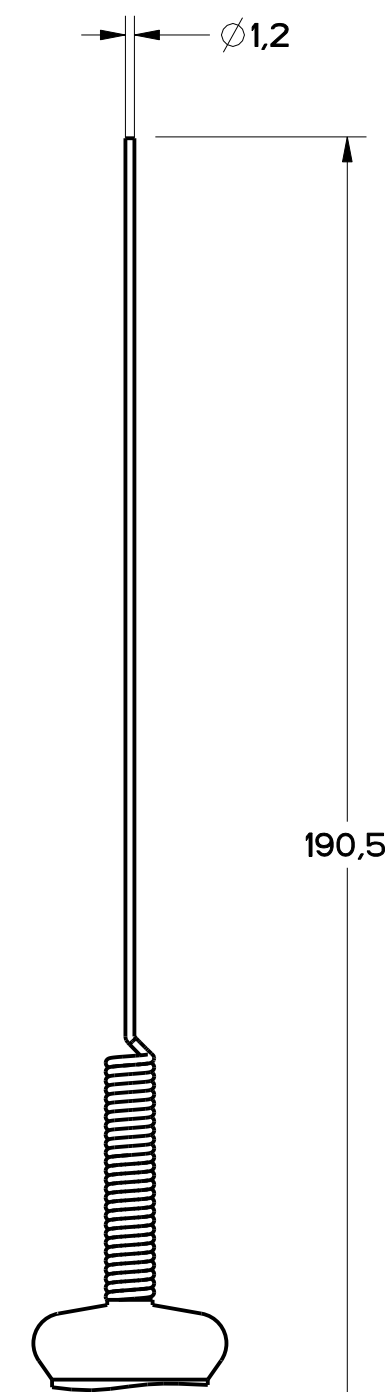


FIGURE 7D - CAT WHISKER ACTUATOR, STAINLESS STEEL SPRING, OTHERWISE SAME AS FIGURE 7

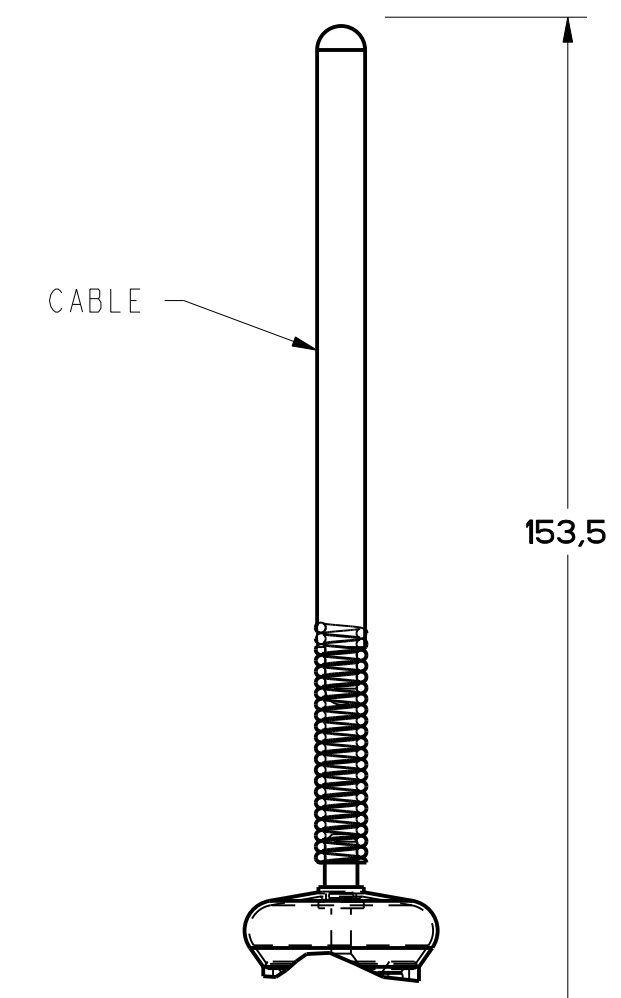


FIGURE 7E - CABLE WOBBLE ACTUATOR OTHERWISE SAME AS FIGURE 7

MGL SERIES CHART 2	
DRWING NUMBER	3 OF 8
DATE	RELEASE NO. PR-21587
ISSUE	MDM
REV	DATE
11	
1	21 DEC 05
2	14 MAY 96
3	14 MAY 96
4	14 MAY 96
5	14 MAY 96
6	14 MAY 96
7	14 MAY 96
8	14 MAY 96
9	14 MAY 96
10	14 MAY 96
11	14 MAY 96

THIS DRAWING COVERS A PROPRIETARY ITEM AND IS THE PROPERTY OF MICRO SWITCH, A DIVISION OF HONEYWELL. THIS DRAWING IS NOT TO BE COPIED OR USED WITHOUT THE APPROVAL OF MICRO SWITCH.

FED. MFG. CODE 91929

MICROSWITCH a Honeywell Division	SWITCH, ENCLOSED	CATALOG LISTING GL SERIES CHART 2
-------------------------------------	------------------	--------------------------------------

SI METRIC  US CUSTOMARY

DESIGN UNITS WEIGHT

THIRD ANGLE PROJECTION			
SCALE FULL			
DO NOT SCALE PRINT			
TOLERANCES			
APPLY TO DESIGN UNITS. CONVERSIONS ARE ONLY FOR REFERENCE. UNLESS NOTED, TOLERANCES ARE :			
NO PLACES	ONE PLACE	TWO PLACES	THREE PLACES
±.03	±.04	±.05	±.07
±.04	±.05	±.06	±.08
±.05	±.06	±.07	±.09
±.06	±.07	±.08	±.10
±.07	±.08	±.09	±.11
±.08	±.09	±.10	±.12
±.09	±.10	±.11	±.13
±.10	±.11	±.12	±.14
±.11	±.12	±.13	±.15
±.12	±.13	±.14	±.16
±.13	±.14	±.15	±.17
±.14	±.15	±.16	±.18
±.15	±.16	±.17	±.19
±.16	±.17	±.18	±.20
±.17	±.18	±.19	±.21
±.18	±.19	±.20	±.22
±.19	±.20	±.21	±.23
±.20	±.21	±.22	±.24
±.21	±.22	±.23	±.25
±.22	±.23	±.24	±.26
±.23	±.24	±.25	±.27
±.24	±.25	±.26	±.28
±.25	±.26	±.27	±.29
±.26	±.27	±.28	±.30
±.27	±.28	±.29	±.31
±.28	±.29	±.30	±.32
±.29	±.30	±.31	±.33
±.30	±.31	±.32	±.34
±.31	±.32	±.33	±.35
±.32	±.33	±.34	±.36
±.33	±.34	±.35	±.37
±.34	±.35	±.36	±.38
±.35	±.36	±.37	±.39
±.36	±.37	±.38	±.40
±.37	±.38	±.39	±.41
±.38	±.39	±.40	±.42
±.39	±.40	±.41	±.43
±.40	±.41	±.42	±.44
±.41	±.42	±.43	±.45
±.42	±.43	±.44	±.46
±.43	±.44	±.45	±.47
±.44	±.45	±.46	±.48
±.45	±.46	±.47	±.49
±.46	±.47	±.48	±.50
±.47	±.48	±.49	±.51
±.48	±.49	±.50	±.52
±.49	±.50	±.51	±.53
±.50	±.51	±.52	±.54
±.51	±.52	±.53	±.55
±.52	±.53	±.54	±.56
±.53	±.54	±.55	±.57
±.54	±.55	±.56	±.58
±.55	±.56	±.57	±.59
±.56	±.57	±.58	±.60
±.57	±.58	±.59	±.61
±.58	±.59	±.60	±.62
±.59	±.60	±.61	±.63
±.60	±.61	±.62	±.64
±.61	±.62	±.63	±.65
±.62	±.63	±.64	±.66
±.63	±.64	±.65	±.67
±.64	±.65	±.66	±.68
±.65	±.66	±.67	±.69
±.66	±.67	±.68	±.70
±.67	±.68	±.69	±.71
±.68	±.69	±.70	±.72
±.69	±.70	±.71	±.73
±.70	±.71	±.72	±.74
±.71	±.72	±.73	±.75
±.72	±.73	±.74	±.76
±.73	±.74	±.75	±.77
±.74	±.75	±.76	±.78
±.75	±.76	±.77	±.79
±.76	±.77	±.78	±.80
±.77	±.78	±.79	±.81
±.78	±.79	±.80	±.82
±.79	±.80	±.81	±.83
±.80	±.81	±.82	±.84
±.81	±.82	±.83	±.85
±.82	±.83	±.84	±.86
±.83	±.84	±.85	±.87
±.84	±.85	±.86	±.88
±.85	±.86	±.87	±.89
±.86	±.87	±.88	±.90
±.87	±.88	±.89	±.91
±.88	±.89	±.90	±.92
±.89	±.90	±.91	±.93
±.90	±.91	±.92	±.94
±.91	±.92	±.93	±.95
±.92	±.93	±.94	±.96
±.93	±.94	±.95	±.97
±.94	±.95	±.96	±.98
±.95	±.96	±.97	±.99
±.96	±.97	±.98	±.100



FIGURE 8



FIGURE 10

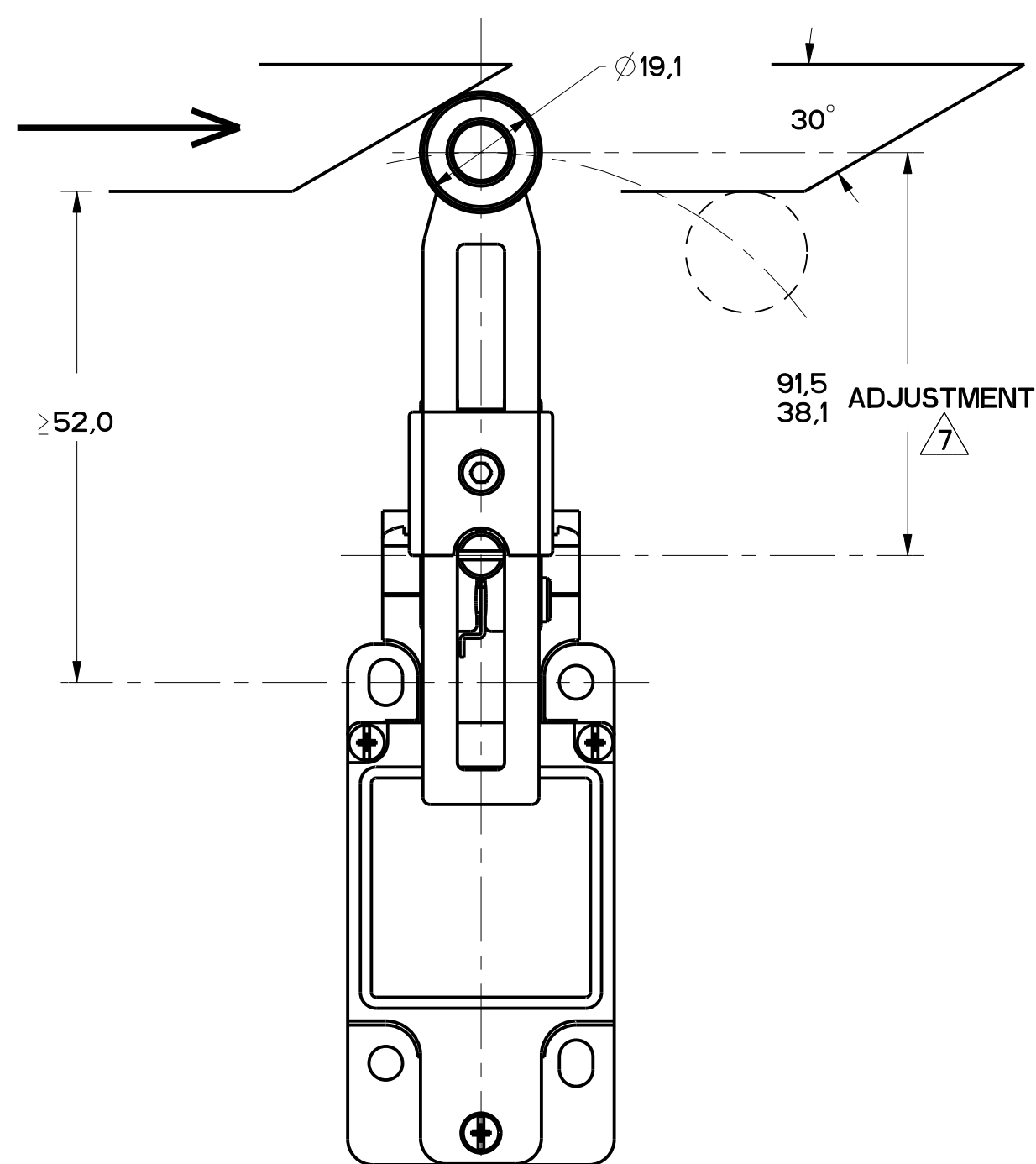


FIGURE 9

FIGURES 8, 9, 10 ANGULAR ACTUATION

CATALOG LISTING	CONTACT BLOCK DIAGRAM	NOMINAL TRAVELS AND RELATED TERMINALS CONTACT CLOSED, CONTACT OPEN, CONTACT CLOSED DIFFERENTIAL TRAVEL, ** POSITIVE OPENING TO IEC 947-5	MAXIMUM OPERATING TORQUE LB-IN	MAXIMUM DISCONNECT TORQUE LB-IN	MAX OPERATE DEGREE/S	MIN OPERATE DEGREE/S	MAX OPERATE FREQUENCY OPS/MIN
GL**02A*	SNAP - ACTION CONTACTS SINGLE POLE 	21-22 26° 55**° 85° 13-14 12° DIFFERENTIAL TRAVEL	.330 2.9	.385 3.4	1290	13	250

CAM ACTUATION PER EN50041, FIGURES 8 AND 9

CATALOG LISTING	CONTACT BLOCK DIAGRAM	NOMINAL TRAVELS AND RELATED TERMINALS CONTACT CLOSED, CONTACT OPEN, CONTACT CLOSED DIFFERENTIAL TRAVEL, ** POSITIVE OPENING TO IEC 947-5 DIMENSIONS IN mm	MAXIMUM OPERATING FORCE LB	MAXIMUM DISCONNECT FORCE LB	MAX OPERATE VEL IN/S	MIN OPERATE VEL IN/S	MAX OPERATE FREQUENCY OPS/MIN
GL**02A*	SNAP - ACTION CONTACTS SINGLE POLE 	21-22 0 20 56** 13-14 12 DIFFERENTIAL TRAVEL	9.7 2.2	11.4 2.6	.85 33.5	8.5 .33	250

11	ISSUE
10	REVISION
9	REVISION
8	REVISION
7	REVISION
6	REVISION
5	REVISION
4	REVISION
3	REVISION
2	REVISION
1	REVISION

THIS DRAWING COVERS A PROPRIETARY ITEM AND IS THE PROPERTY OF MICRO SWITCH, A DIVISION OF HONEYWELL. THIS DRAWING IS NOT TO BE COPIED OR USED WITHOUT THE APPROVAL OF MICRO SWITCH.

FED. MFG. CODE 91929

CATALOG LISTING

**MICRO SWITCH**  
a Honeywell Division

**SWITCH, ENCLOSED**

**GL SERIES CHART 2**

THIRD ANGLE PROJECTION

SCALE FULL

DO NOT SCALE PRINT

TOLERANCES  
APPLY TO DESIGN UNITS. CONCESSIONS ARE ONLY FOR REFERENCE, UNLESS NOTED. TOLERANCES ARE:

NO PLACES	X	1/100	1/100	1/100	1/100
ONE PLACE	X, .1	0.0100	0.0100	0.0100	0.0100
TWO PLACES	X, .1X	0.0010	0.0010	0.0010	0.0010
THREE PLACES	X, .1X, .01	0.0001	0.0001	0.0001	0.0001

DESIGN UNITS: SI METRIC  US CUSTOMARY

WEIGHT

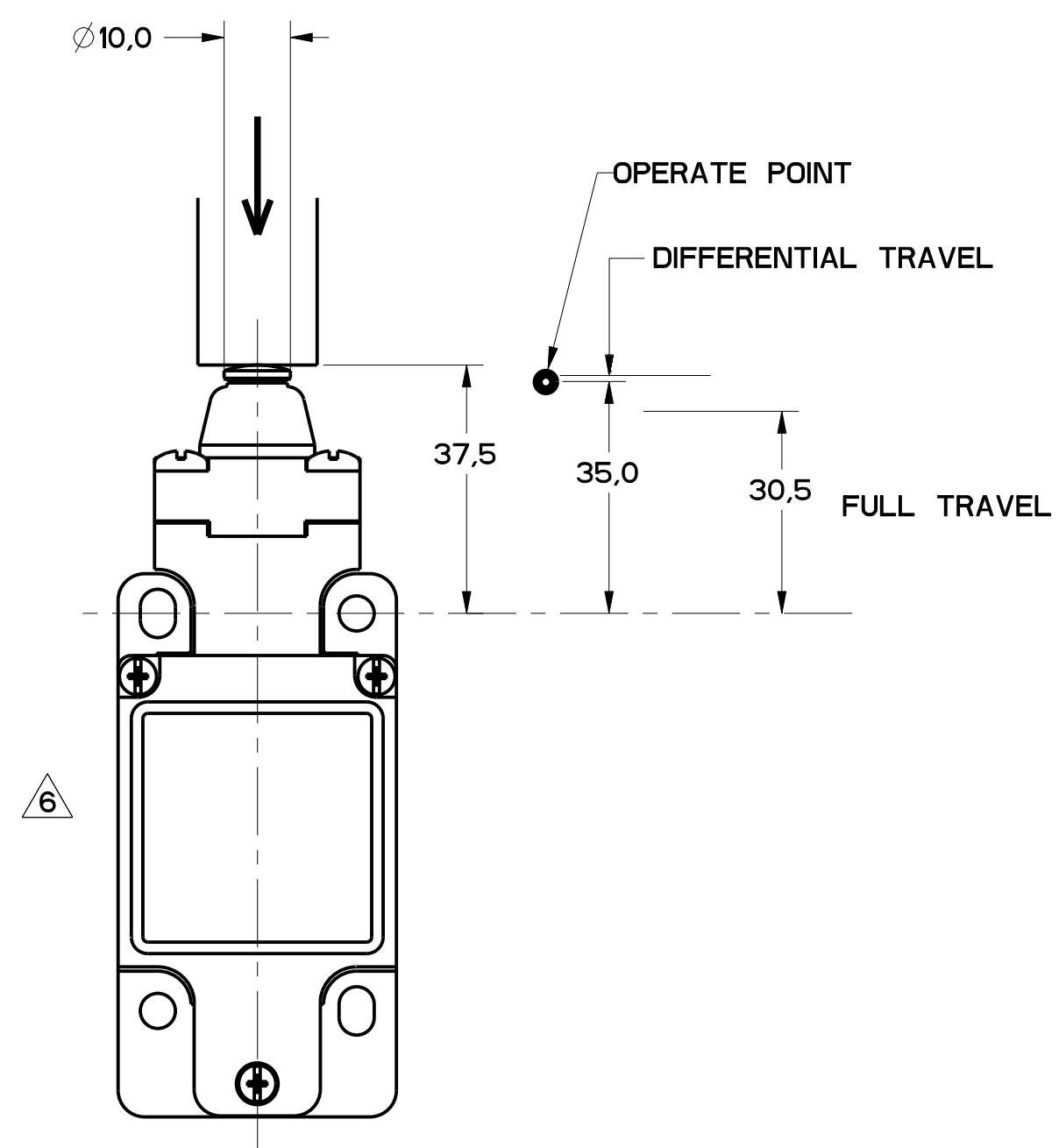


FIGURE 11

FIGURES 11, PIN PLUNGER HEAD, LINEAR ACTUATION							
CATALOG LISTING	CONTACT BLOCK DIAGRAM	NOMINAL TRAVELS AND RELATED TERMINALS ■ - CONTACT CLOSED, □ - CONTACT OPEN, ▨ - CONTACT CLOSED DIFFERENTIAL TRAVEL, ** POSITIVE OPENING TO IEC 947-5-1	MAXIMUM OPERATING FORCE $\frac{N}{LB}$	MAXIMUM DISCONNECT FORCE $\frac{N}{LB}$	MAX OPERATE VEL $\frac{m}{s}$ $\frac{in}{s}$	MIN OPERATE VEL $\frac{m}{s}$ $\frac{in}{s}$	MAX OPERATE FREQUENCY OPS/MIN
GL**02B	SNAP - ACTION CONTACTS SINGLE POLE 	 0.9 DIFFERENTIAL TRAVEL	$\frac{1.6}{3.6}$	$\frac{2.7}{6.0}$	$\frac{0.1}{3.9}$	$\frac{1.0}{.04}$	250

FIGURE 12, WOBBLE HEAD, ANGULAR ACTUATION

CATALOG LISTING	CONTACT BLOCK DIAGRAM	NOMINAL TRAVELS AND RELATED TERMINALS ■ - CONTACT CLOSED, □ - CONTACT OPEN, ▨ - CONTACT CLOSED DIFFERENTIAL TRAVEL, ** POSITIVE OPENING TO IEC 947-5-1	MAXIMUM OPERATING TORQUE $\frac{m}{LB/in}$	MAXIMUM DISCONNECT TORQUE $\frac{m}{LB/in}$	MAX OPERATE DEGREE/S	MIN OPERATE VELOCITY DEGREE/S	MAX OPERATE RATE CYCLES/MIN
GL**02E	SNAP - ACTION CONTACTS SINGLE POLE 	 8° DIFFERENTIAL TRAVEL	$\frac{0.2}{1.8}$	N/A	360	8	100

FIGURE 12, WOBBLE HEAD, SIDE ACTUATION AT 100mm

CATALOG LISTING	CONTACT BLOCK DIAGRAM	NOMINAL TRAVELS AND RELATED TERMINALS ■ - CONTACT CLOSED, □ - CONTACT OPEN, ▨ - CONTACT CLOSED DIFFERENTIAL TRAVEL, ** POSITIVE OPENING TO IEC 947-5-1	MAXIMUM OPERATING FORCE $\frac{N}{LB}$	MAXIMUM DISCONNECT FORCE $\frac{N}{LB}$	MAX OPERATE VEL $\frac{m}{s}$ $\frac{in}{s}$	MIN OPERATE VEL $\frac{m}{s}$ $\frac{in}{s}$	MAX OPERATE FREQUENCY OPS/MIN
GL**02E	SNAP - ACTION CONTACTS SINGLE POLE 	 12 DIFFERENTIAL TRAVEL	$\frac{2.5}{0.6}$	N/A	$\frac{.5}{19.7}$	$\frac{.1}{.43}$	100

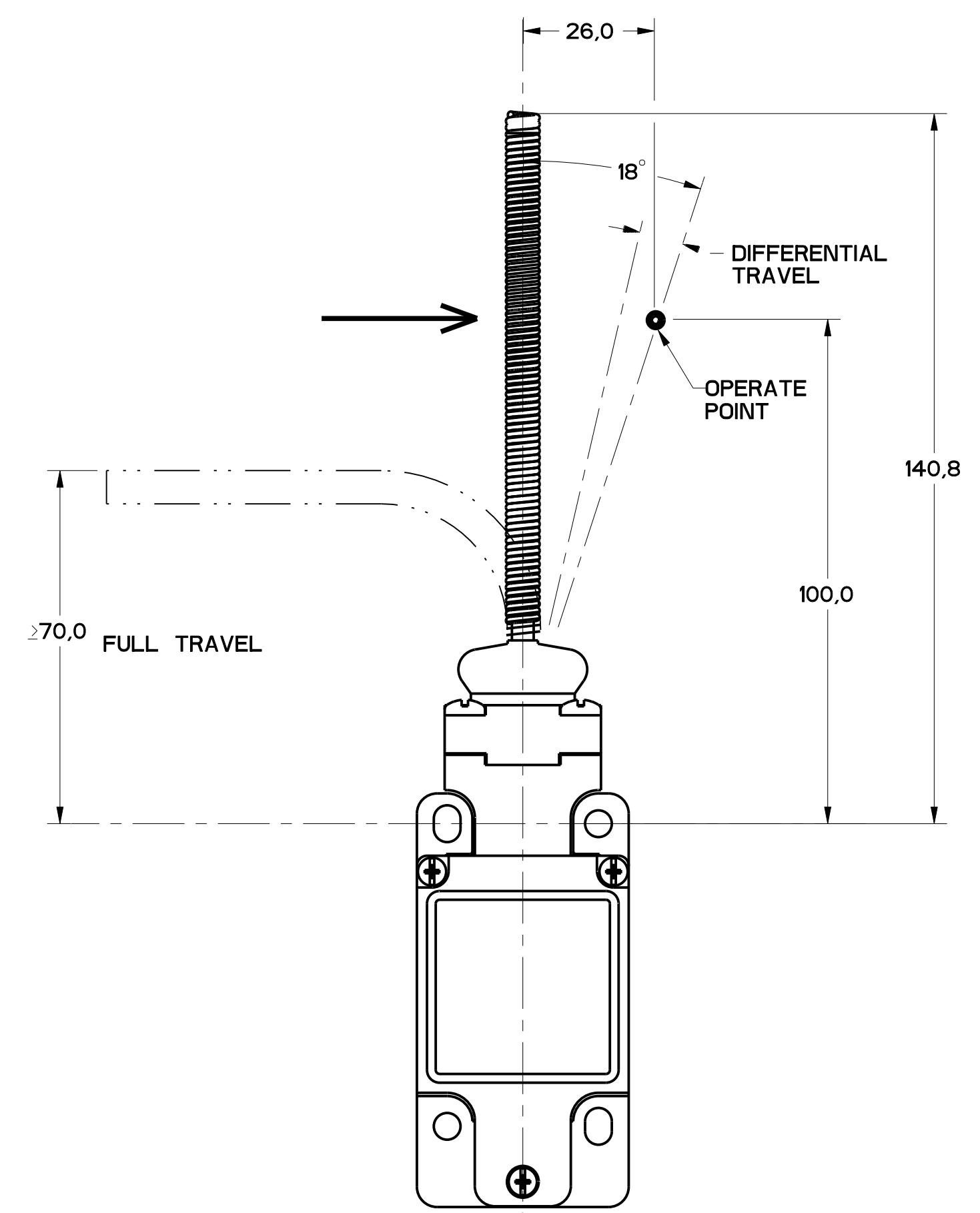


FIGURE 12

MBL SERIES CHART 2  
 DRAWING NUMBER 5 OF 8  
 RELEASE NO. PR-20782  
 CHECKED MDM  
 DATE 02/05/05  
 APPROVED R.B.  
 DATE 05/03/05  
 PTC/CAD  
 WLS/LODEC3  
 DATE 5/JAN/04  
 MAM

THIS DRAWING COVERS A PROPRIETARY ITEM AND IS THE PROPERTY OF MICRO SWITCH, A DIVISION OF HONEYWELL. THIS DRAWING IS NOT TO BE COPIED OR USED WITHOUT THE APPROVAL OF MICRO SWITCH.		CATALOG LISTING	
<b>MICRO SWITCH</b> a Honeywell Division		SWITCH, ENCLOSED GL SERIES CHART 2	
FED. MFG. CODE 91929 SI METRIC <input checked="" type="checkbox"/> US CUSTOMARY <input type="checkbox"/>		DESIGN UNITS <input checked="" type="checkbox"/> WEIGHT	

THIRD ANGLE PROJECTION

SCALE FULL

DO NOT SCALE PRINT

TOLERANCES

APPLY TO DESIGN UNITS. CONVERSIONS ARE ONLY FOR REFERENCE, UNLESS NOTED. TOLERANCES ARE:

NO PLACES	±.04	±.01	±.005
TWO PLACES	±.02	±.005	±.0025
THREE PLACES	±.015	±.0025	±.00125

DESIGN UNITS  US CUSTOMARY

FIGURE 13A, ROLLER PLUNGER HEAD, PIN ACTUATION

CATALOG LISTING	CONTACT BLOCK DIAGRAM	NOMINAL TRAVELS AND RELATED TERMINALS CONTACT CLOSED, CONTACT OPEN, CONTACT CLOSED DIFFERENTIAL TRAVEL, ** POSITIVE OPENING TO IEC 947-5	MAXIMUM OPERATING FORCE LB	MAXIMUM DISCONNECT FORCE LB	MAX OPERATE VEL in/S	MIN OPERATE VEL in/S	MAX OPERATE FREQUENCY OPS/MIN
GL**02C	SNAP - ACTION CONTACTS SINGLE POLE 	 0.9 DIFFERENTIAL TRAVEL	$\frac{16}{3.6}$	$\frac{27}{6.0}$	$\frac{0.1}{3.9}$	$\frac{1.0}{.04}$	250

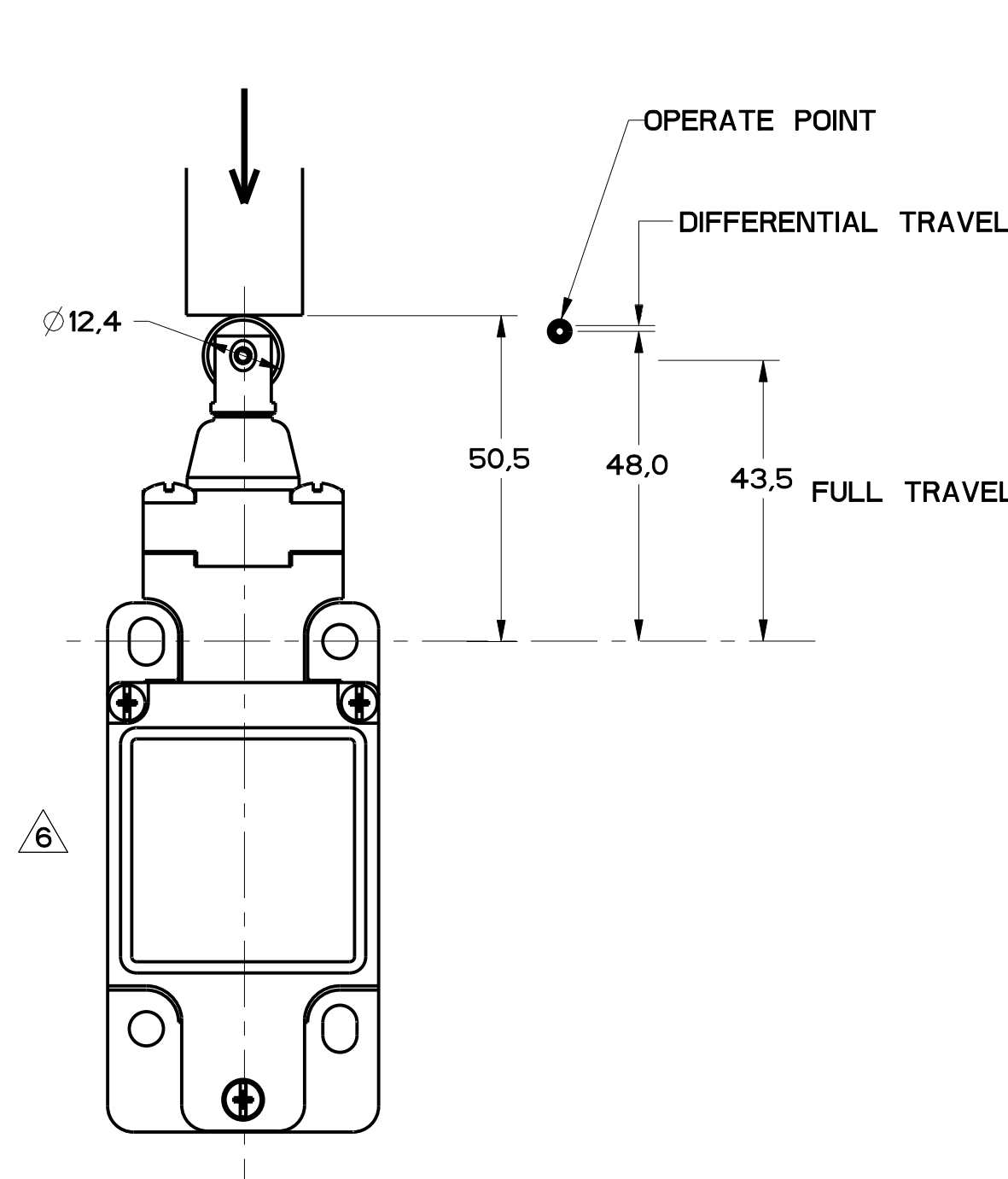


FIGURE 13A



FIGURE 13B

FIGURE 13B, TOP ROLLER PLUNGER HEAD, CAM ACTUATION PER EN50041

CATALOG LISTING	CONTACT BLOCK DIAGRAM	NOMINAL TRAVELS AND RELATED TERMINALS CONTACT CLOSED, CONTACT OPEN, CONTACT CLOSED DIFFERENTIAL TRAVEL, ** POSITIVE OPENING TO IEC 947-5	MAXIMUM OPERATING FORCE LB	MAXIMUM DISCONNECT FORCE LB	MAX OPERATE VEL in/S	MIN OPERATE VEL in/S	MAX OPERATE FREQUENCY OPS/MIN
GL**02C	SNAP - ACTION CONTACTS SINGLE POLE 	 1.8 DIFFERENTIAL TRAVEL	$\frac{9.3}{2.1}$	$\frac{15.6}{3.5}$	$\frac{0.17}{6.7}$	$\frac{1.7}{.067}$	250

11	ISSUE	MDM
10	ISSUE	MDM
9	ISSUE	MDM
8	ISSUE	MDM
7	ISSUE	MDM
6	ISSUE	MDM
5	ISSUE	MDM
4	ISSUE	MDM
3	ISSUE	MDM
2	ISSUE	MDM
1	ISSUE	MDM

THIS DRAWING COVERS A PROPRIETARY ITEM AND IS THE PROPERTY OF MICRO SWITCH, A DIVISION OF HONEYWELL. THIS DRAWING IS NOT TO BE COPIED OR USED WITHOUT THE APPROVAL OF MICRO SWITCH.

FED. MFG. CODE 91929

**MICRO SWITCH**  
a Honeywell Division

SWITCH, ENCLOSED

CATALOG LISTING  
**GL SERIES CHART 2**

NO PLACES	X	1/2	1/4	1/8	0.01	0.01
TWO PLACES	X, X	1/2	1/4	1/8	0.01	0.01
THREE PLACES	X, X, X	1/2	1/4	1/8	0.01	0.01

DESIGN UNITS: SI METRIC [X] US CUSTOMARY [ ]

THIRD ANGLE PROJECTION

SCALE: FULL

DO NOT SCALE PRINT

TOLERANCES  
APPLY TO DESIGN UNITS. CONCESSIONS ARE ONLY FOR REFERENCE, UNLESS NOTED. TOLERANCES ARE:

FIGURE 14A, TOP ROLLER LEVER HEAD WITH PIN ACTUATION

CATALOG LISTING	CONTACT BLOCK DIAGRAM	NOMINAL TRAVELS AND RELATED TERMINALS CONTACT CLOSED, CONTACT OPEN, CONTACT CLOSED DIFFERENTIAL TRAVEL, ** POSITIVE OPENING TO IEC 947-5	MAXIMUM OPERATING FORCE LB	MAXIMUM DISCONNECT FORCE LB	MAX OPERATE VEL in/S	MIN OPERATE VEL in/S	MAX OPERATE FREQUENCY OPS/MIN
GL**02D	SNAP - ACTION CONTACTS SINGLE POLE 	 1.7 DIFFERENTIAL TRAVEL	9.5 2.1	12 2.7	0.17 6.7	1.7 .067	250

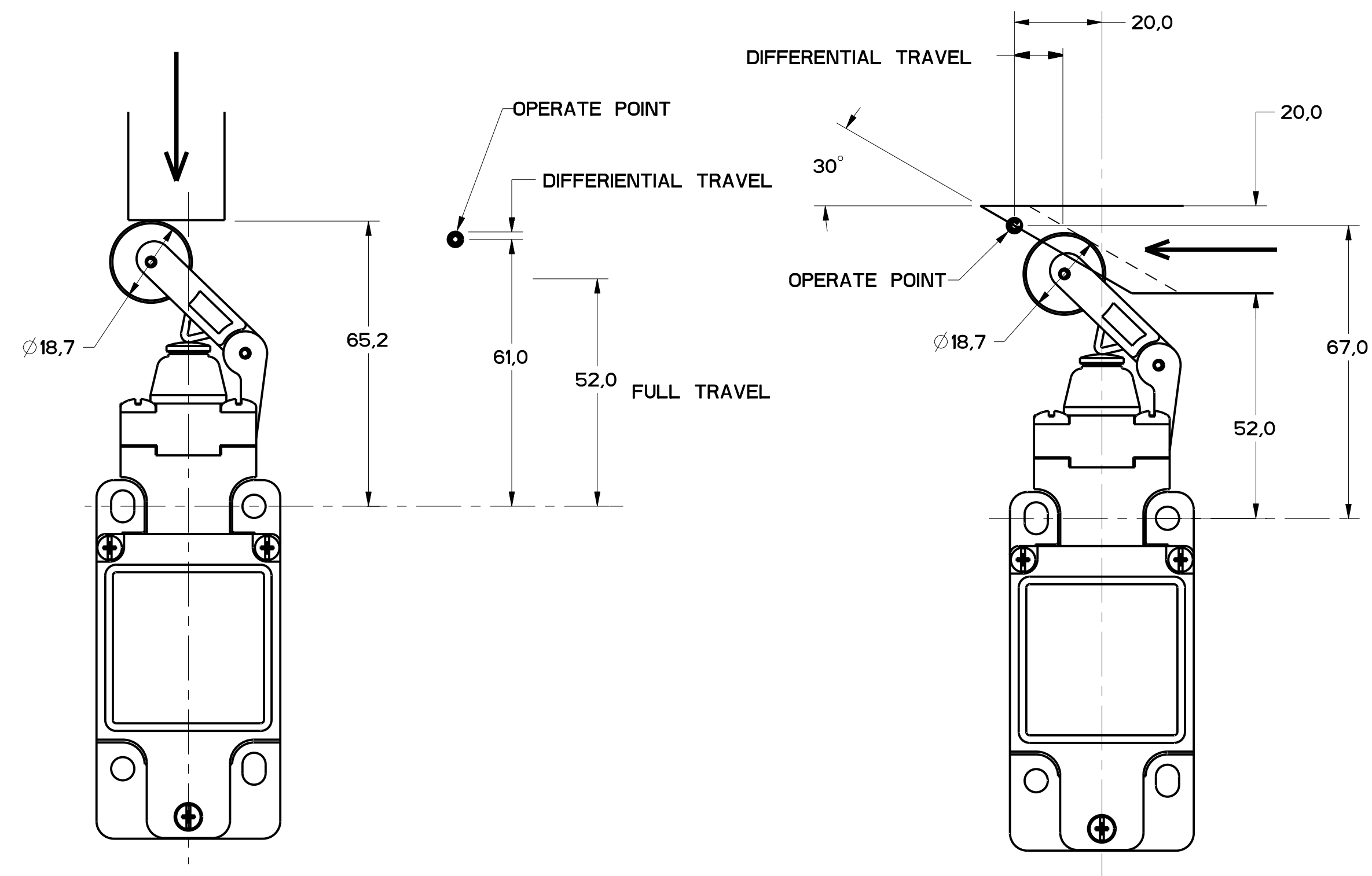


FIGURE 14A

FIGURE 14B

FIGURE 14B, TOP ROLLER LEVER HEAD WITH CAM ACTUATION

CATALOG LISTING	CONTACT BLOCK DIAGRAM	NOMINAL TRAVELS AND RELATED TERMINALS CONTACT CLOSED, CONTACT OPEN, CONTACT CLOSED DIFFERENTIAL TRAVEL, ** POSITIVE OPENING TO IEC 947-5	MAXIMUM OPERATING FORCE LB	MAXIMUM DISCONNECT FORCE LB	MAX OPERATE VEL in/S	MIN OPERATE VEL in/S	MAX OPERATE FREQUENCY OPS/MIN
GL**02D	SNAP - ACTION CONTACTS SINGLE POLE 	 4.1 DIFFERENTIAL TRAVEL	5.5 1.2	7.0 1.6	0.29 11.4	2.9 .11	250

11	MDM
12	MDM
13	MDM
14	MDM
15	MDM
16	MDM
17	MDM
18	MDM
19	MDM
20	MDM
21	MDM
22	MDM
23	MDM
24	MDM
25	MDM
26	MDM
27	MDM
28	MDM
29	MDM
30	MDM
31	MDM
32	MDM
33	MDM
34	MDM
35	MDM
36	MDM
37	MDM
38	MDM
39	MDM
40	MDM
41	MDM
42	MDM
43	MDM
44	MDM
45	MDM
46	MDM
47	MDM
48	MDM
49	MDM
50	MDM

THIS DRAWING COVERS A PROPRIETARY ITEM AND IS THE PROPERTY OF MICRO SWITCH, A DIVISION OF HONEYWELL. THIS DRAWING IS NOT TO BE COPIED OR USED WITHOUT THE APPROVAL OF MICRO SWITCH.

FED. MFG. CODE 91929

**MICRO SWITCH**  
a Honeywell Division

SWITCH, ENCLOSED

CATALOG LISTING  
**GL SERIES CHART 2**

NO PLACES	1/4	TOL.	1/4	TOL.
ONE PLACE	X.14	0.0014	X.14	0.0014
TWO PLACES	X.14	0.0014	X.14	0.0014
THREE PLACES	X.14	0.0014	X.14	0.0014

DESIGN UNITS:  SI METRIC  US CUSTOMARY

WEIGHT

FIGURE 15, CAT WISKER HEAD, ANGULAR ACTUATION

CATALOG LISTING	CONTACT BLOCK DIAGRAM	NOMINAL TRAVELS AND RELATED TERMINALS CONTACT CLOSED, CONTACT OPEN, DIFFERENTIAL TRAVEL	MAXIMUM OPERATING TORQUE LB-IN	MAXIMUM DISCONNECT TORQUE LB-IN	MAX OPERATE DEGREE/S	MIN OPERATE VELOCITY DEGREE/S	MAX OPERATE RATE CYCLES/MIN
GL**02K	SNAP - ACTION CONTACTS SINGLE POLE 		$\frac{0.1}{.9}$	N/A	360	8	100

FIGURE 15, CAT WISKER HEAD, SIDE ACTUATION AT 100mm

CATALOG LISTING	CONTACT BLOCK DIAGRAM	NOMINAL TRAVELS AND RELATED TERMINALS CONTACT CLOSED, CONTACT OPEN, DIFFERENTIAL TRAVEL	MAXIMUM OPERATING FORCE LB	MAXIMUM DISCONNECT FORCE LB	MAX OPERATE VEL IN/S	MIN OPERATE VEL IN/S	MAX OPERATE FREQUENCY OPS/MIN
GL**02K	SNAP - ACTION CONTACTS SINGLE POLE 		$\frac{1.3}{.3}$	N/A	$\frac{.5}{19.7}$	$\frac{11}{.43}$	100

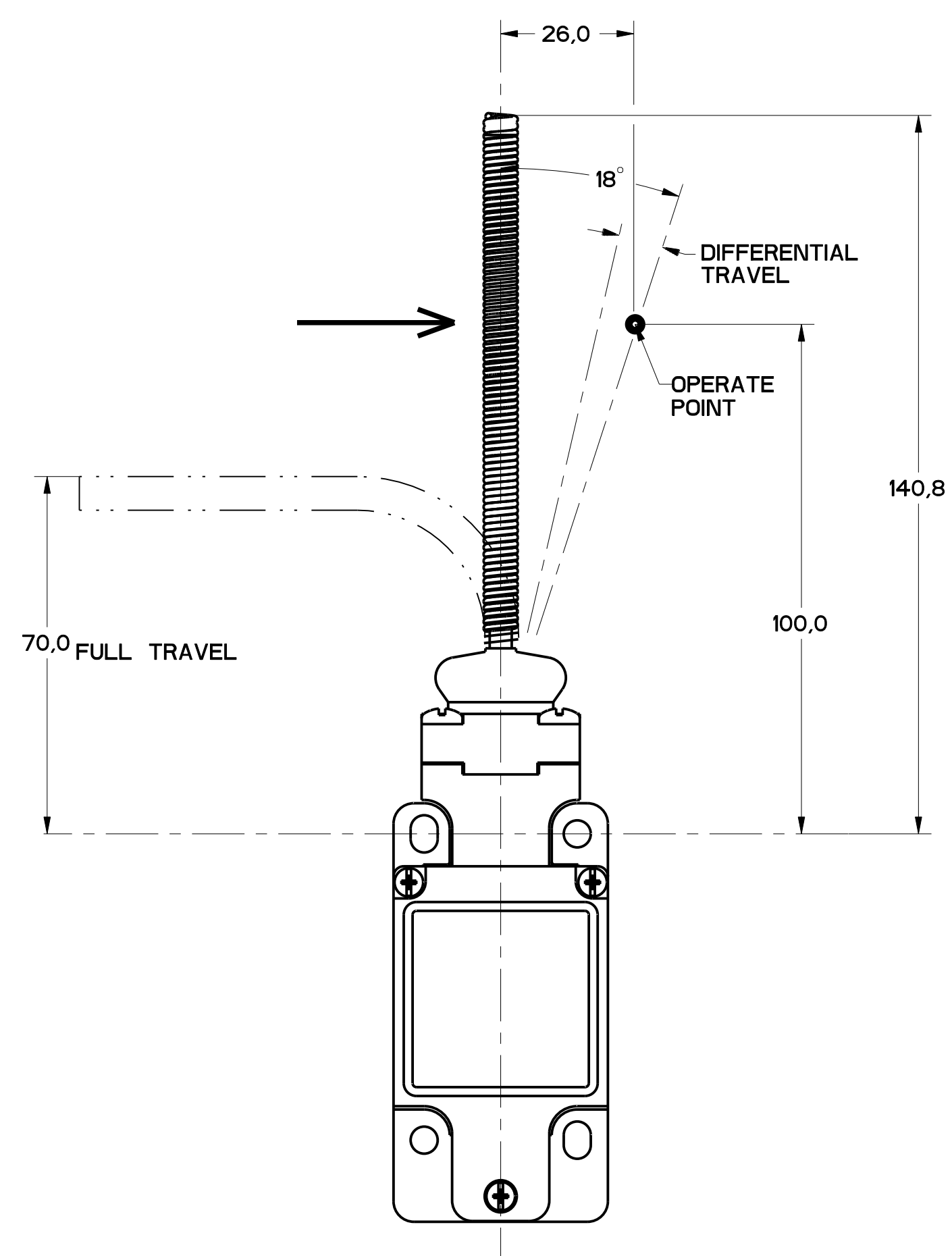


FIGURE 15

11	ISSUE	MDM
1	DESIGNING	MDM
2	CHECK	MDM
3	APPROVE	MDM
4	RELEASE	MDM

REV	DATE	BY	CHKD	REASON
A	11/10/92	CO	CO	INITIALS
B	01/18/93	CO	CO	INITIALS
C	00/04/01	CO	CO	INITIALS
D	00/28/86	CO	CO	INITIALS
E	01/17/82	CO	CO	INITIALS

PTC/CAD	DRWN	WLS	DEC 9 8	check	MAM	5-JAN-94	check	MAM
---------	------	-----	---------	-------	-----	----------	-------	-----

THIS DRAWING COVERS A PROPRIETARY ITEM AND IS THE PROPERTY OF MICRO SWITCH, A DIVISION OF HONEYWELL. THIS DRAWING IS NOT TO BE COPIED OR USED WITHOUT THE APPROVAL OF MICRO SWITCH.

FED. MFG. CODE 91929

**MICRO SWITCH**  
a Honeywell Division

SWITCH, ENCLOSED

CATALOG LISTING  
**GL SERIES CHART 2**

NO PLACES	±.04	±.04	±.04	±.04
TWO PLACES	±.04	±.04	±.04	±.04
THREE PLACES	±.04	±.04	±.04	±.04

DESIGN UNITS:  SI METRIC  US CUSTOMARY

WEIGHT





Компания «ЭлектроПласт» предлагает заключение долгосрочных отношений при поставках импортных электронных компонентов на взаимовыгодных условиях!

Наши преимущества:

- Оперативные поставки широкого спектра электронных компонентов отечественного и импортного производства напрямую от производителей и с крупнейших мировых складов;
- Поставка более 17-ти миллионов наименований электронных компонентов;
- Поставка сложных, дефицитных, либо снятых с производства позиций;
- Оперативные сроки поставки под заказ (от 5 рабочих дней);
- Экспресс доставка в любую точку России;
- Техническая поддержка проекта, помощь в подборе аналогов, поставка прототипов;
- Система менеджмента качества сертифицирована по Международному стандарту ISO 9001;
- Лицензия ФСБ на осуществление работ с использованием сведений, составляющих государственную тайну;
- Поставка специализированных компонентов (Xilinx, Altera, Analog Devices, Intersil, Interpoint, Microsemi, Aeroflex, Peregrine, Syfer, Eurofarad, Texas Instrument, Miteq, Cobham, E2V, MA-COM, Hittite, Mini-Circuits, General Dynamics и др.);

Помимо этого, одним из направлений компании «ЭлектроПласт» является направление «Источники питания». Мы предлагаем Вам помощь Конструкторского отдела:

- Подбор оптимального решения, техническое обоснование при выборе компонента;
- Подбор аналогов;
- Консультации по применению компонента;
- Поставка образцов и прототипов;
- Техническая поддержка проекта;
- Защита от снятия компонента с производства.



#### Как с нами связаться

**Телефон:** 8 (812) 309 58 32 (многоканальный)

**Факс:** 8 (812) 320-02-42

**Электронная почта:** [org@eplast1.ru](mailto:org@eplast1.ru)

**Адрес:** 198099, г. Санкт-Петербург, ул. Калинина, дом 2, корпус 4, литера А.