

SIDE ROTARY

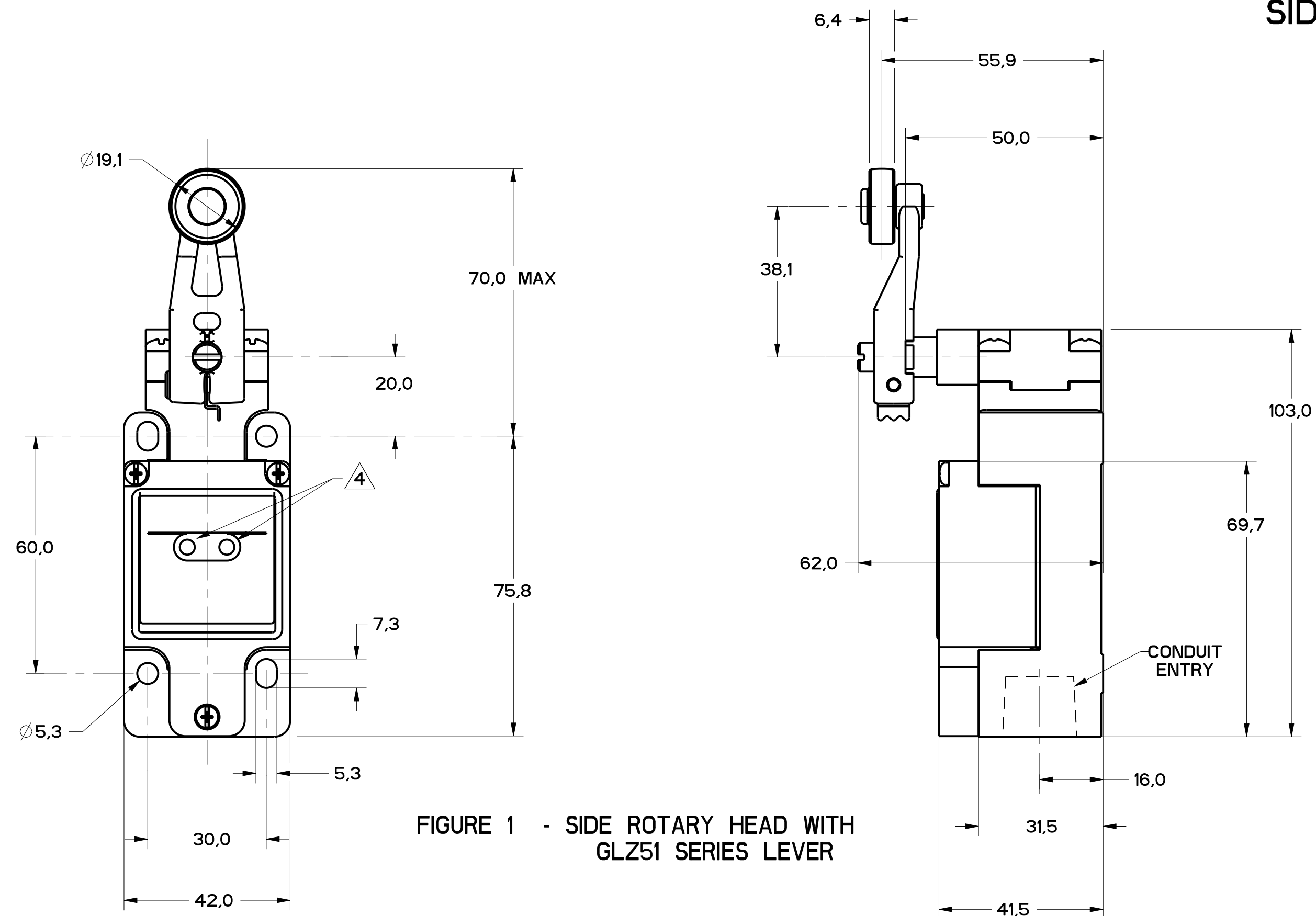


FIGURE 1 - SIDE ROTARY HEAD WITH GLZ51 SERIES LEVER

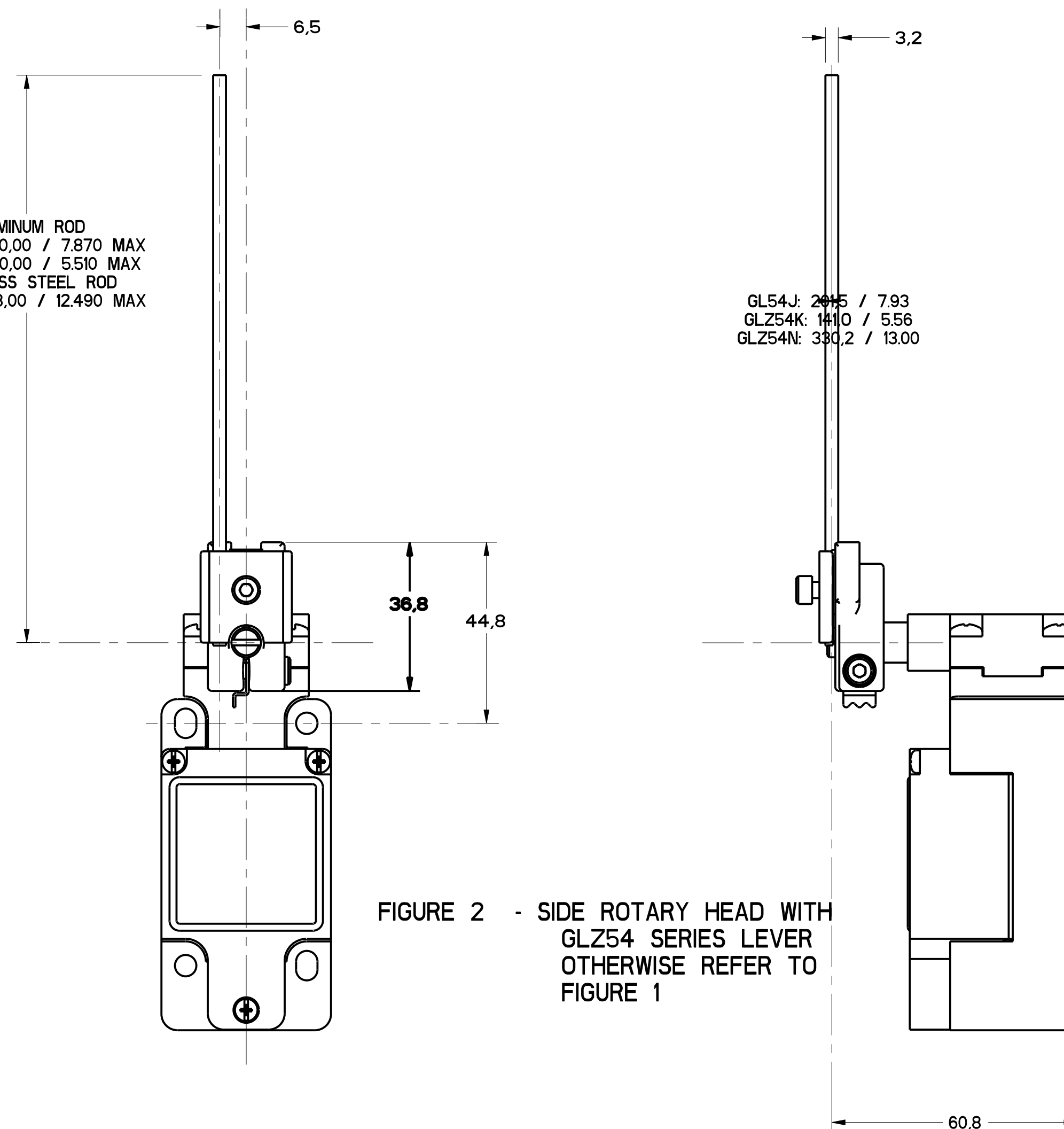


FIGURE 2 - SIDE ROTARY HEAD WITH GLZ54 SERIES LEVER OTHERWISE REFER TO FIGURE 1

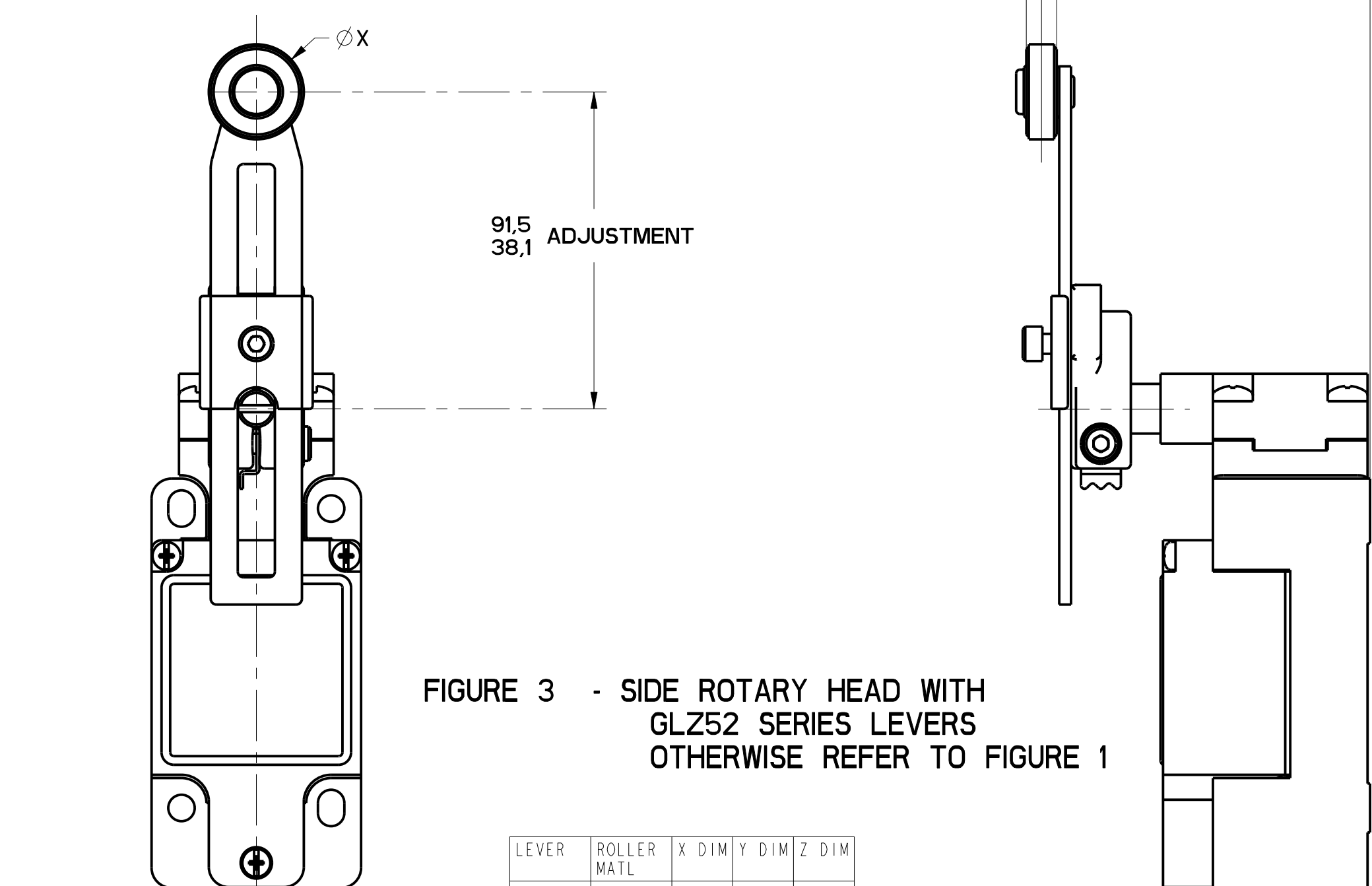


FIGURE 3 - SIDE ROTARY HEAD WITH GLZ52 SERIES LEVERS OTHERWISE REFER TO FIGURE 1

FIGURE	CATALOG LISTING	CONDUIT ENTRY
1A	GL*A SERIES	1/2-14 NPT
1B	GL*B SERIES	PG13.5
1C	GL*C SERIES	20mm
1D	GL*D SERIES	PF1/2

ELECTRICAL RATING $\Delta 5$			
AC		DC	
A600 Ue	AC15 Ie	0300 Ue	DC13 Ie
(VOLTS)	(AMPS)	(VOLTS)	(AMPS)
120	6	24	2.8
240	3	125	.55
380	1.9	250	.27
480	1.5		
500	1.4		
600	1.2		

ENVIRONMENTAL RATING	
IP67	
NEMA/UL TYPES 1, 4, 12, 13	

- NOTES
- HEADS MAY BE INDEXED IN 90° INCREMENTS
 - LEVERS MAY BE KEYED TO THE SHAFT AT 90° INCREMENTS. THEY MAY ALSO BE ATTACHED, BUT NOT KEYED ANYWHERE ON THE SHAFT.
 - FOR ADDITIONAL LEVERS SEE "M" DRAWING CHART GLZ5
 - THE RIGHT INDICATOR IS YELLOW AND INDICATES "OUTPUT STATUS" IT IS ON GLG SERIES PRODUCTS ONLY.
 - THE MAXIMUM VOLTAGE, V_e OF GLG SERIES PRODUCTS IS THE MAXIMUM RATED VOLTAGE OF INDICATION LIGHTS
 - FREE POSITION, OPERATE POINT, OVERTRAVEL AND PRETRAVEL ALL TO EN50041
 - CAM TRAVEL FOR FIG 9 ONLY APPLIES WHEN LEVER IS ADJUSTED TO 38.1 / 1.50
 - TEMPERATURE RANGE
(ALL PRODUCTS EXCEPT W/SIDE ROTARY OPERATING HEAD)
OPERATING: -25°C TO +85°C / -13°F TO +185°F
STORAGE: -40°C TO +85°C / -40°F TO +185°F
(PRODUCTS W/SIDE ROTARY OPERATING HEAD)
OPERATING: -40°C TO +85°C / -40°F TO +185°F
STORAGE: -40°C TO +85°C / -40°F TO +185°F

CATALOG LISTING	BODY DIMENSIONS, FIGURE	HEAD DIMENSIONS, FIGURE	HEAD ACTUATION, FIGURE
GLB***	I	N/A	N/A
GLG***	I	N/A	N/A
GLJ***	I	N/A	N/A
GLA***	1A	N/A	N/A
GLB***	1B	N/A	N/A
GLC***	1C	N/A	N/A
GLD***	1D	N/A	N/A
GL***A1*	I	1	8
GL***A2*	I	3	9
GL***A4*	I	2	10
GL***A5*	I		8
GL***B	I	4	11
GL***C	I	5	13A, 13B
GL***D	I	6	14A, 14B
GL***E7A	I	7A	12
GL***E7B	I	7	12
GL***E7C	I	7E	12
GL***E7D	I	7B	12
GL***K8A	I	7C	15
GL***K8B	I	7D	15
GL***K8C	I	7	15

LEVER	ROLLER MATL	X DIM	Y DIM	Z DIM
GLZ52A	NYLON	19.1 .75	65.9 2.59	6.4 .25
GLZ52B	STEEL	19.1 .75	65.9 2.59	6.4 .25
GLZ52D	NYLON	38.1 1.5	65.9 2.59	6.4 .25
GLZ52E	NYLON	19.1 .75	79.37 3.125	33.07 1.300
GLZ52W	RUBBER	40.0 1.5	71.5 2.81	12.7 .5
GLZ52Y	RUBBER	50.9 2.0	71.5 2.81	12.7 .5

THIS DRAWING COVERS A PROPRIETARY ITEM AND IS THE PROPERTY OF MICRO SWITCH, A DIVISION OF HONEYWELL. THIS DRAWING IS NOT TO BE COPIED OR USED WITHOUT THE APPROVAL OF MICRO SWITCH.

FED. MFG. CODE 91929

MICRO SWITCH
a Honeywell Division

SWITCH, ENCLOSED

CATALOG LISTING
GL SERIES CHART 2

SI METRIC US CUSTOMARY

THIRD ANGLE PROJECTION

SCALE FULL

DO NOT SCALE PRINT

TOLERANCES

APPLY TO DESIGN UNITS. CONVERSIONS ARE ONLY FOR REFERENCE. UNLESS NOTED, TOLERANCES ARE:

NO. PLACES	SI	US	NO. PLACES	SI	US
TWO PLACES	±.02	±.0005	TWO PLACES	±.02	±.0005
THREE PLACES	±.005	±.0002	THREE PLACES	±.005	±.0002
ANGLES	±.2°		ANGLES	±.2°	

DESIGN UNITS SI METRIC US CUSTOMARY

WEIGHT

MGL SERIES CHART 2
 DRAWING NUMBER 1 OF 8
 RELEASE NO. PR-20782
 CHECKED MDM
 DATE 11
 PTC/CAD
 S.A.V. 28MAR06
 P.T.C./CAD
 S.A.V. 28MAR06

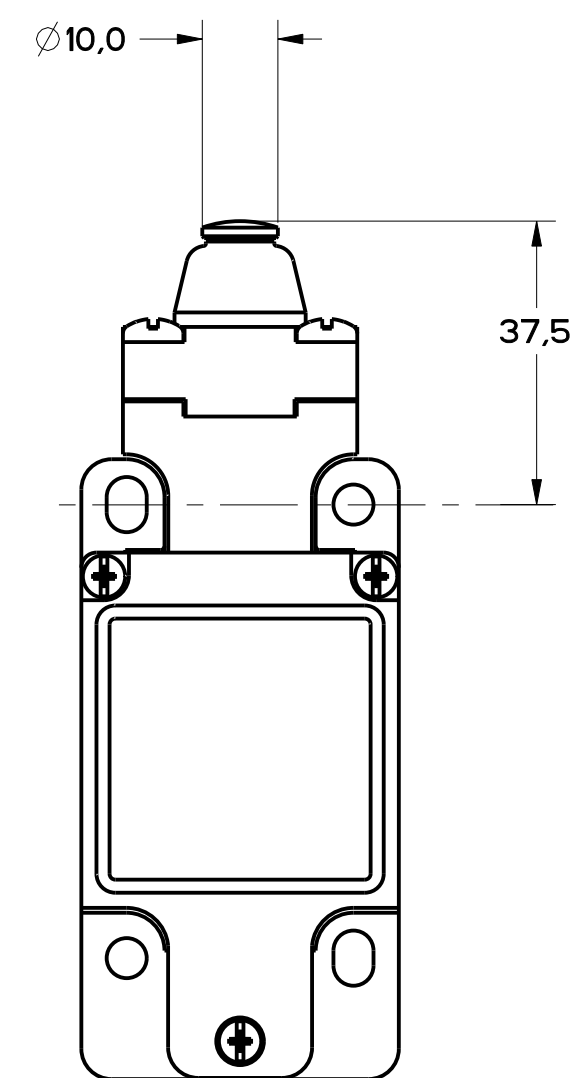


FIGURE 4 - TOP PIN PLUNGER HEAD
OTHERWISE REFER TO
FIGURE 1

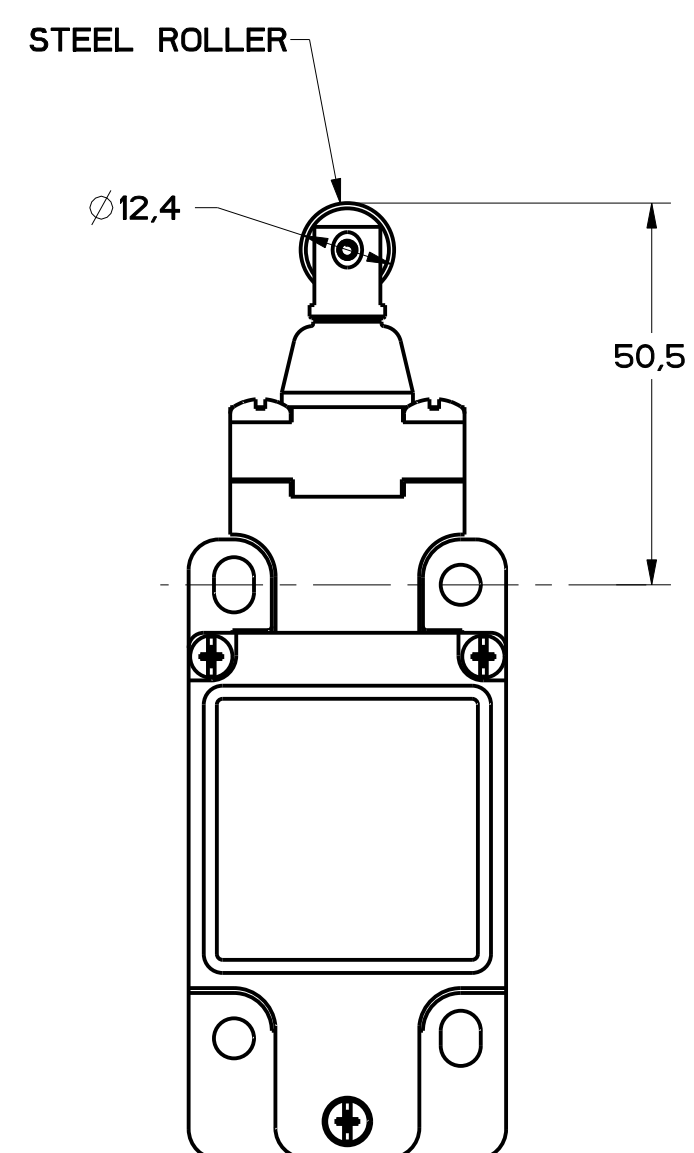
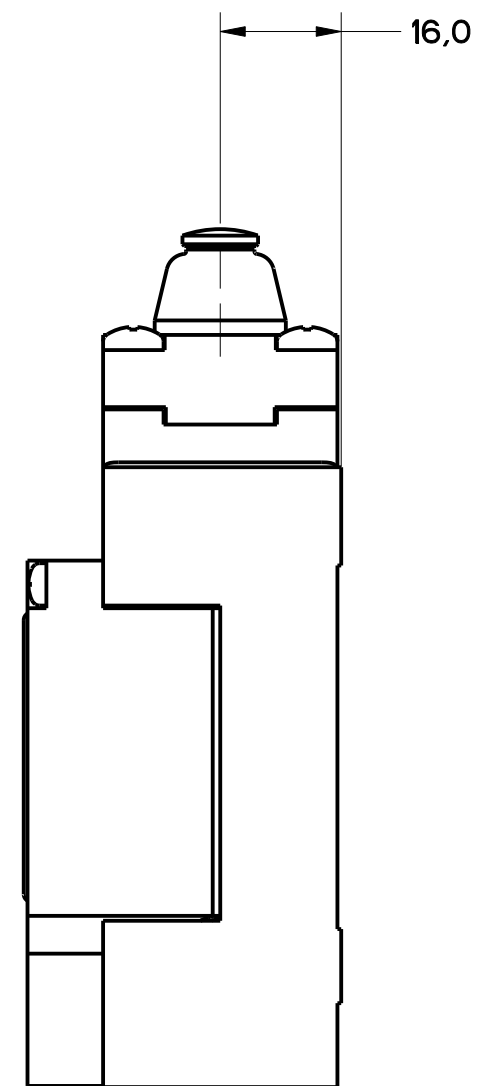


FIGURE 5 - TOP ROLLER PLUNGER HEAD
OTHERWISE REFER TO
FIGURE 1

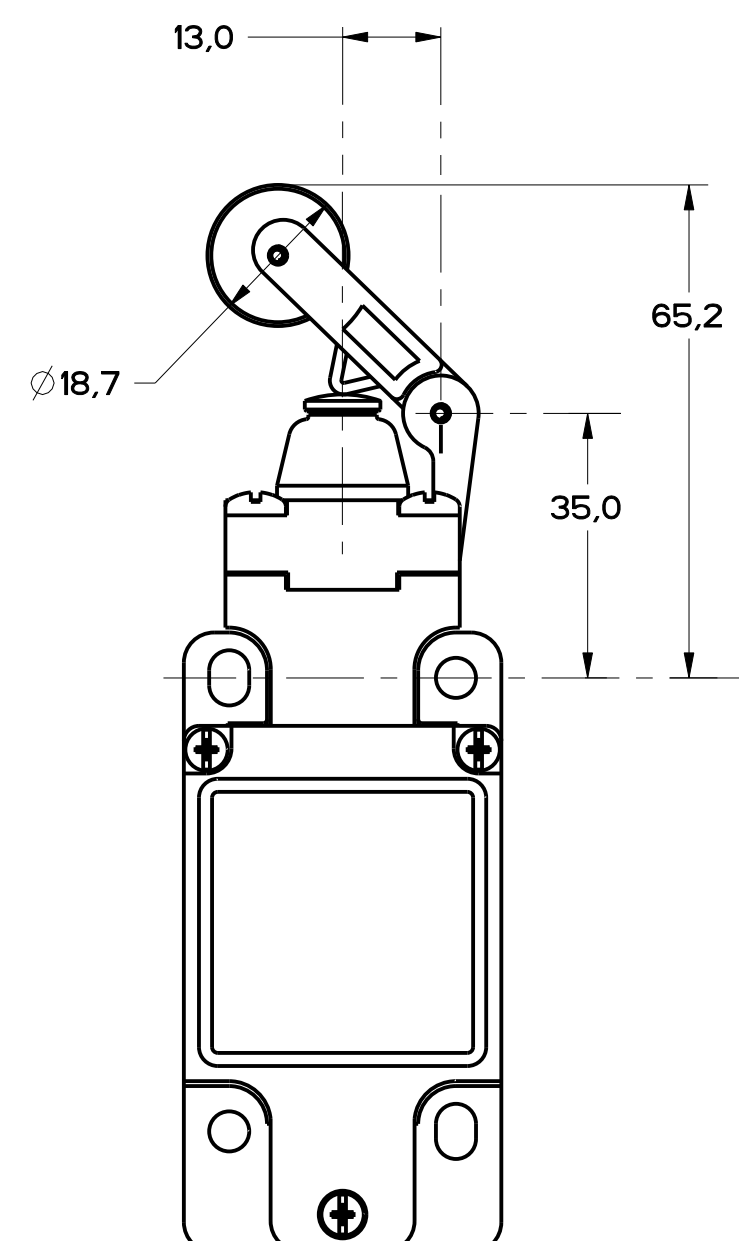
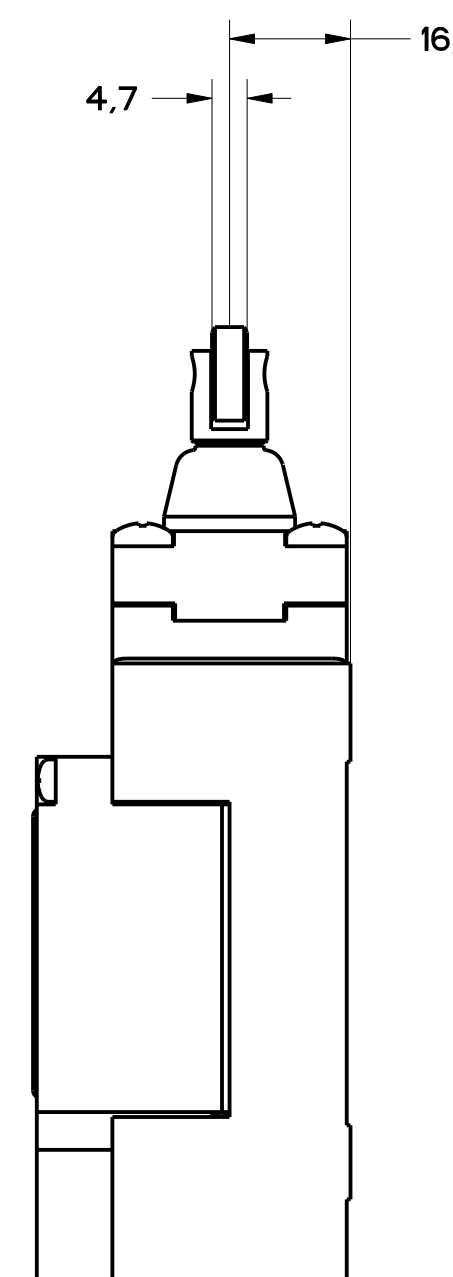
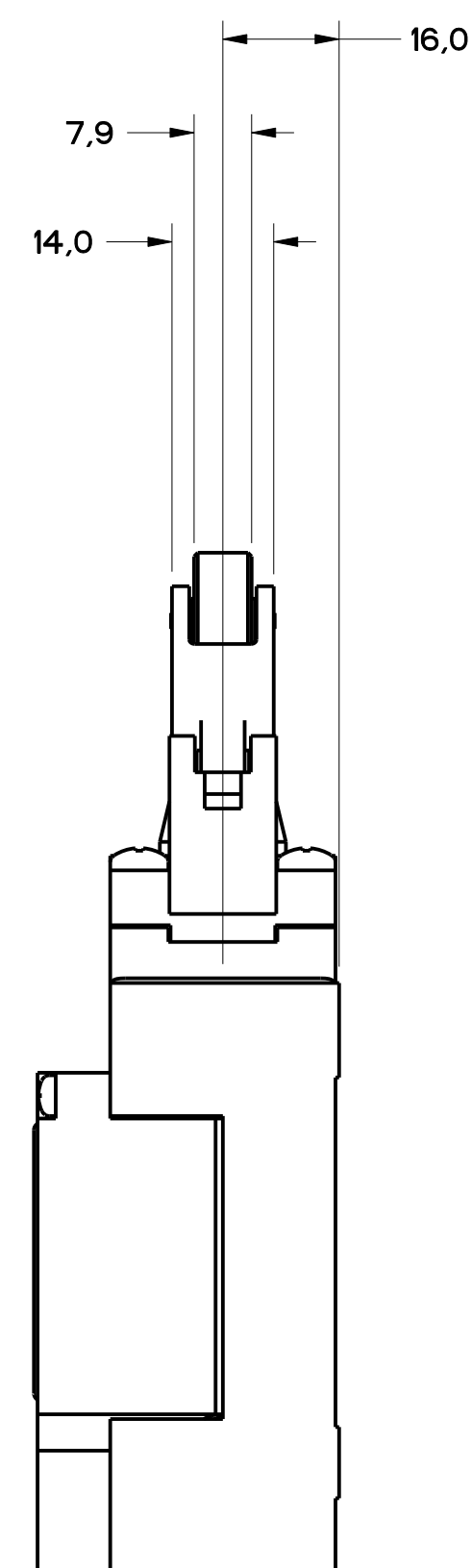


FIGURE 6 - TOP LEVER HEAD,
OTHERWISE REFER TO
FIGURE 1



MBL SERIES CHART 2
 DRAWING NUMBER: 11
 PAGE 1 OF 8
 RELEASE NO. PR-20782
 REVISIONS: 11
 CHECK: MDM
 DATE: 12/01/83
 BY: R. J.

P.T.C./CAD
 WLS
 LODEC3
 G.L.H.
 LODEC3
 check

THIS DRAWING COVERS A PROPRIETARY ITEM AND IS THE PROPERTY OF MICRO SWITCH, A DIVISION OF HONEYWELL. THIS DRAWING IS NOT TO BE COPIED OR USED WITHOUT THE APPROVAL OF MICRO SWITCH.

FED. MFG. CODE 91929 CATALOG LISTING

MICRO SWITCH
a Honeywell Division

SWITCH, ENCLOSED

GL SERIES CHART 2

THIRD ANGLE PROJECTION			
SCALE FULL			
DO NOT SCALE PRINT			
TOLERANCES			
APPLY TO DESIGN UNITS. CONVERSIONS ARE ONLY FOR REFERENCE, UNLESS NOTED. TOLERANCES ARE:			
	SI	US	US
NO PLACES	±0.04	±0.0015	±0.0015
ONE PLACE	±0.05	±0.002	±0.002
TWO PLACES	±0.001	±0.0005	±0.0005
THREE PLACES	±0.0005	±0.0002	±0.0002
ANGLES	±2'		
DESIGN UNITS	<input checked="" type="checkbox"/> SI METRIC	<input type="checkbox"/> US CUSTOMARY	
WEIGHT			

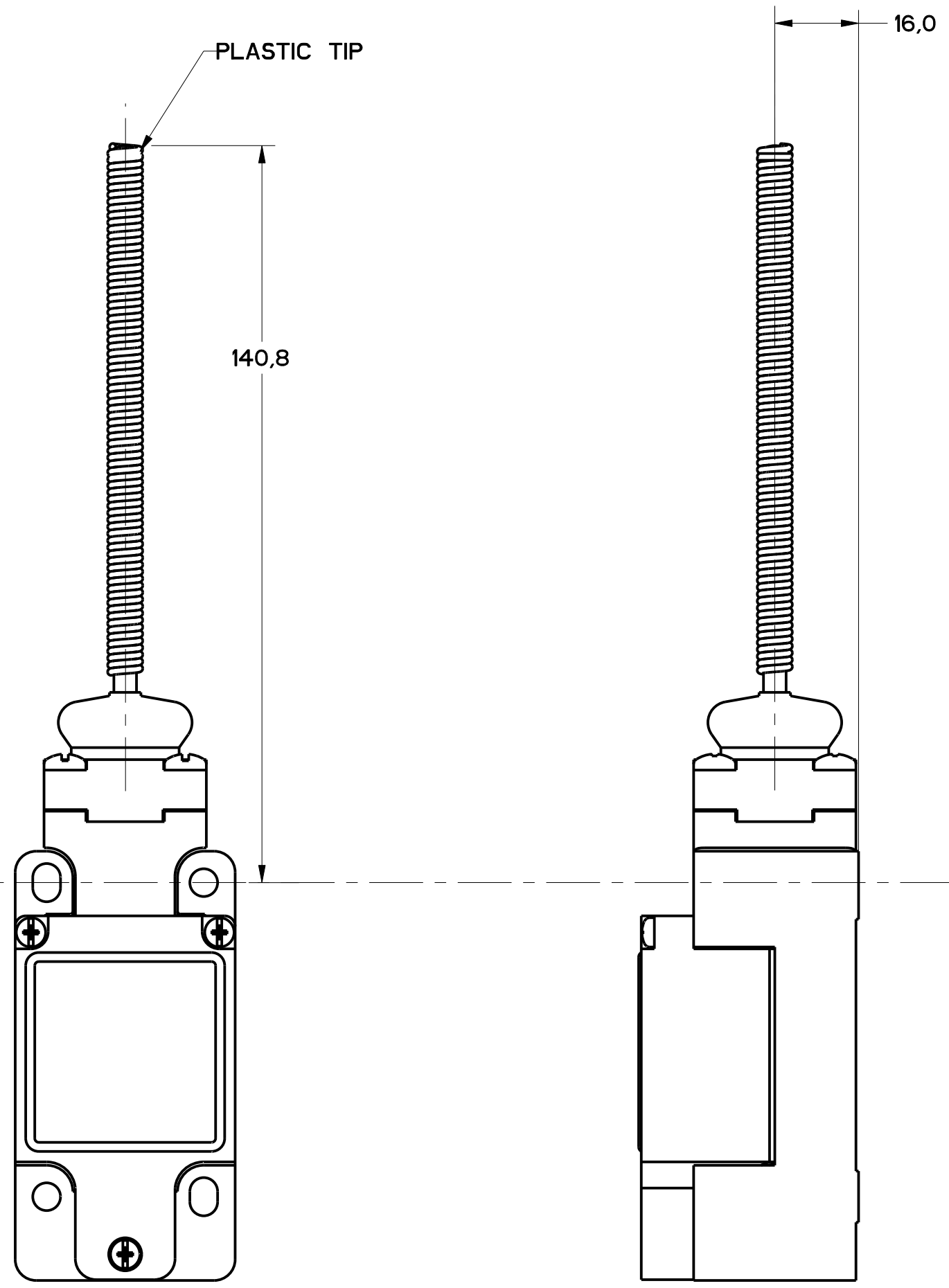


FIGURE 7 - WOBBLE HEAD, AND CAT WHISKER HEAD COIL ACTUATOR, OTHERWISE REFER TO FIGURE 1

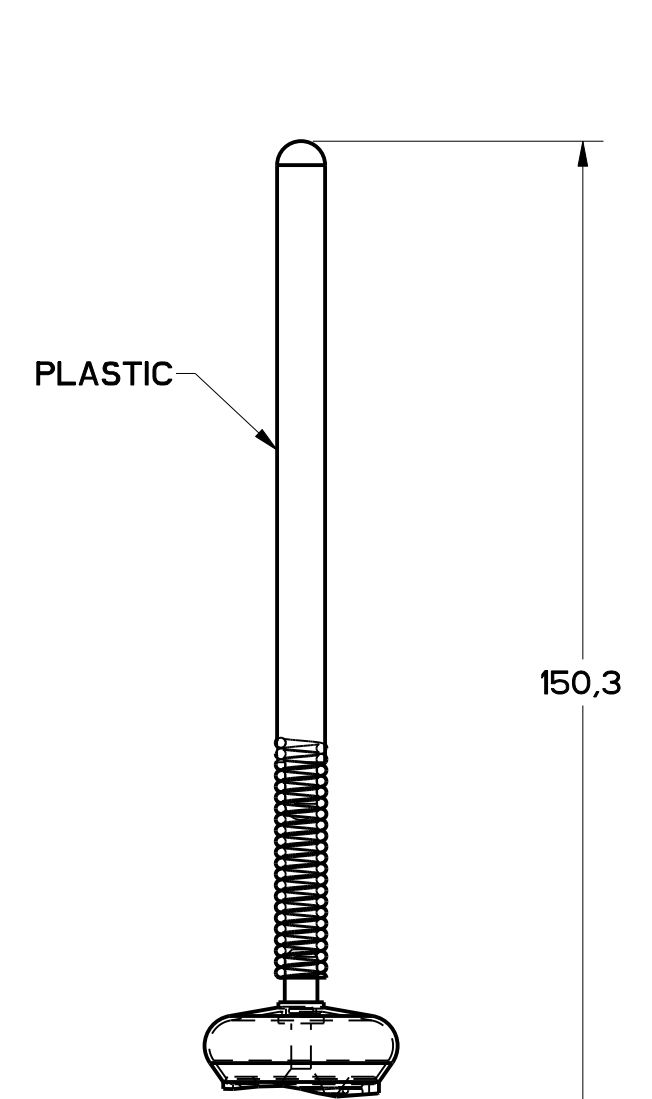


FIGURE 7A - WOBBLE HEAD, PLASTIC ACTUATOR, OTHERWISE SAME AS FIGURE 7

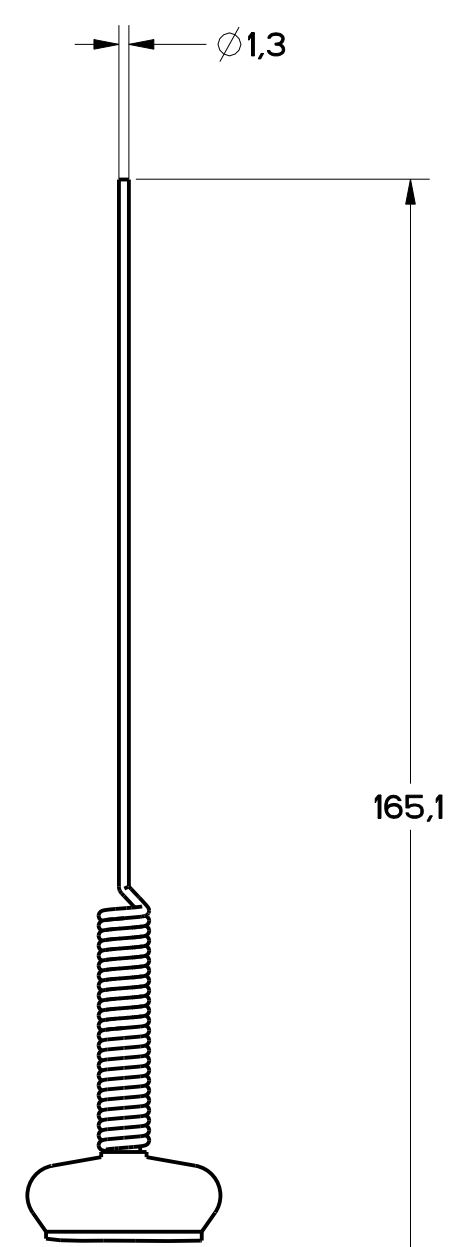


FIGURE 7B - WOBBLE HEAD STAINLESS STEEL SPRING ACTUATOR, OTHERWISE SAME AS FIGURE 7

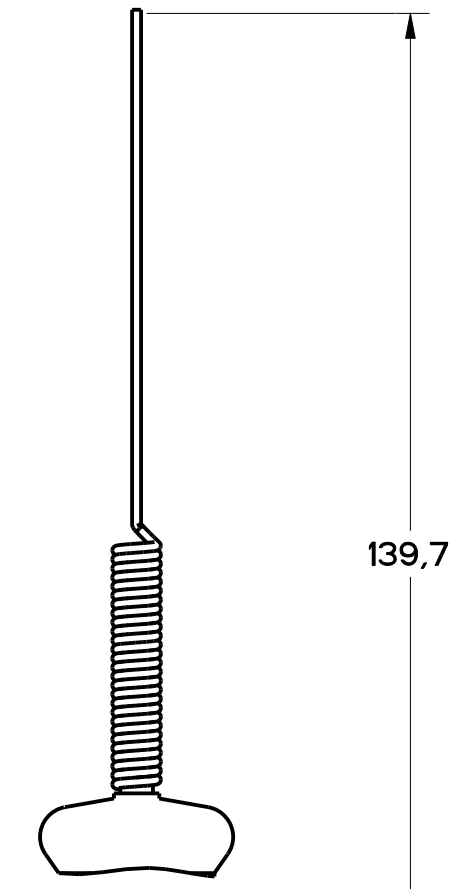


FIGURE 7C - CAT WHISKER ACTUATOR STAINLESS STEEL SPRING OTHERWISE SAME AS FIGURE 7

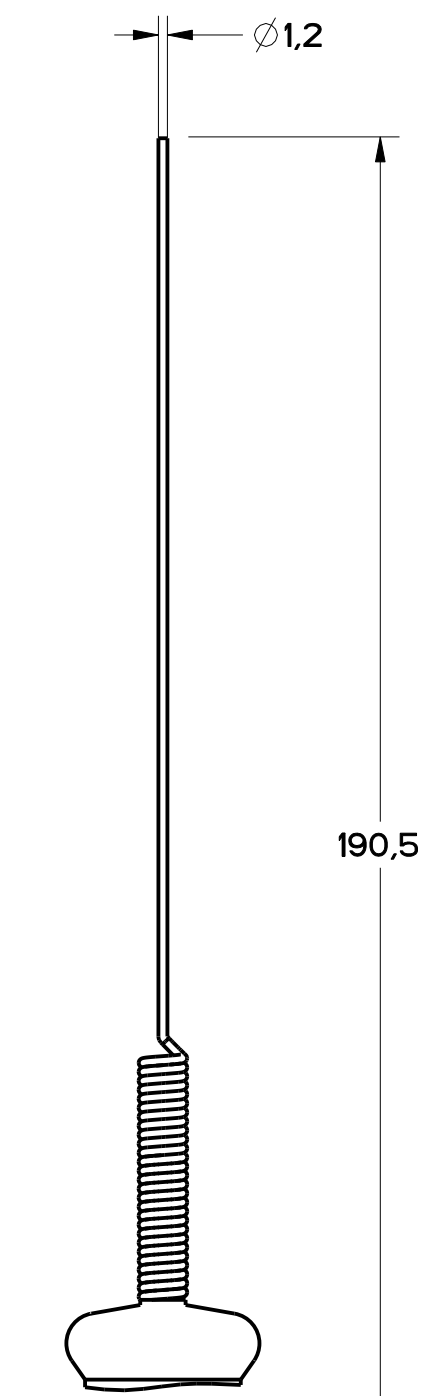


FIGURE 7D - CAT WHISKER ACTUATOR, STAINLESS STEEL SPRING, OTHERWISE SAME AS FIGURE 7

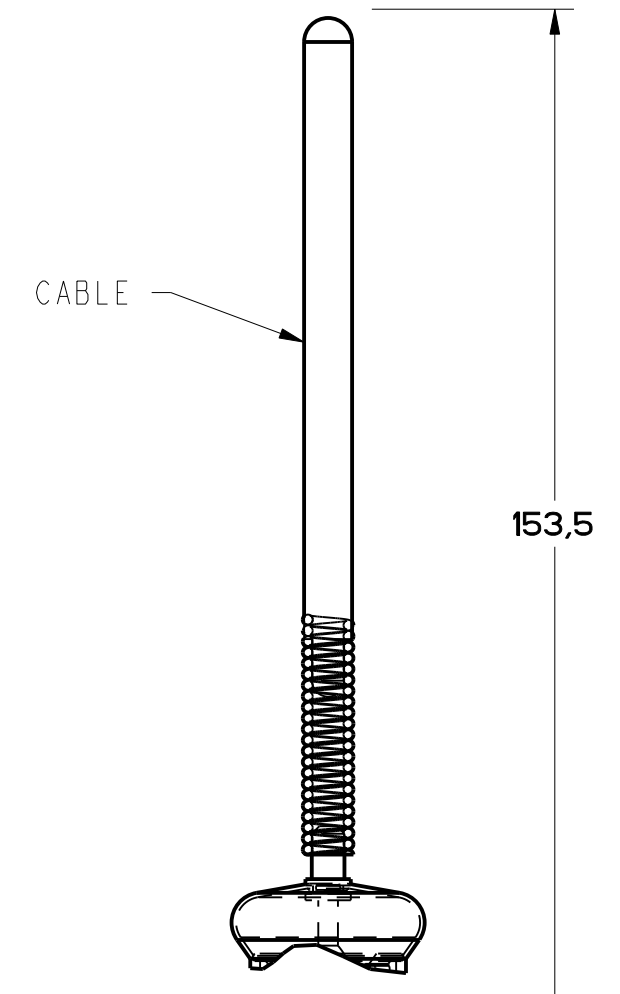


FIGURE 7E - CABLE WOBBLE ACTUATOR OTHERWISE SAME AS FIGURE 7

P.T.C./CAD DRAWN S.A.V. MAY 86 CHECKED S.A.V. MAY 95
 S.A.V. MAY 96
 0009401
 20 JUN 83
 0002986
 20 JUN 84
 0017532
 0002085
 20 JUN 85
 S.A.V. MAY 96
 S.A.V. MAY 95
 11
 MGL SERIES CHART 2
 3 OF 8
 RELEASE NO. PR-21597 REV. 05/95
 HONEYWELL

THIS DRAWING COVERS A PROPRIETARY ITEM AND IS THE PROPERTY OF MICRO SWITCH, A DIVISION OF HONEYWELL. THIS DRAWING IS NOT TO BE COPIED OR USED WITHOUT THE APPROVAL OF MICRO SWITCH.

FED. MFG. CODE 91929 CATALOG LISTING
MICRO SWITCH
 a Honeywell Division

SWITCH, ENCLOSED

GL SERIES CHART 2

THIRD ANGLE PROJECTION			
SCALE		FULL	
DO NOT SCALE PRINT			
TOLERANCES			
APPLY TO DESIGN UNITS. CONVERSIONS ARE ONLY FOR REFERENCE, UNLESS NOTED. TOLERANCES ARE :			
	SI METRIC	US CUSTOMARY	
NO PLACES	±0.05	±0.0015	±0.0015
ONE PLACE	±0.10	±0.0030	±0.0030
TWO PLACES	±0.15	±0.0045	±0.0045
THREE PLACES	±0.20	±0.0060	±0.0060
ANGLES	±2'		



FIGURE 8



FIGURE 10

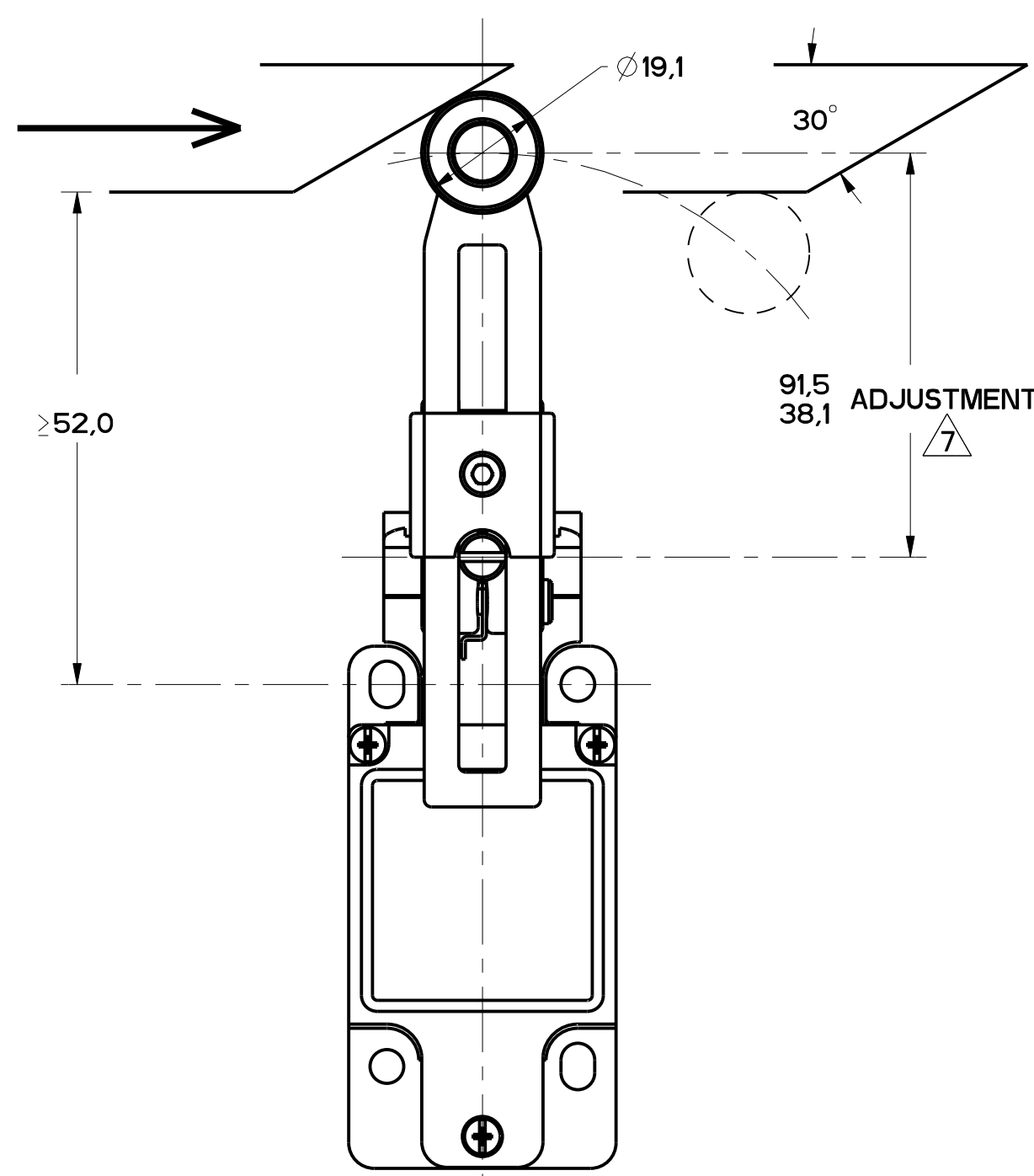


FIGURE 9

FIGURES 8, 9, 10 ANGULAR ACTUATION

CATALOG LISTING	CONTACT BLOCK DIAGRAM	NOMINAL TRAVELS AND RELATED TERMINALS CONTACT CLOSED, CONTACT OPEN, CONTACT CLOSED DIFFERENTIAL TRAVEL, ** POSITIVE OPENING TO IEC 947-5	MAXIMUM OPERATING TORQUE LB-IN	MAXIMUM DISCONNECT TORQUE LB-IN	MAX OPERATE DEGREE/S	MIN OPERATE DEGREE/S	MAX OPERATE FREQUENCY OPS/MIN
GL**02A*	SNAP - ACTION CONTACTS SINGLE POLE 	 12° DIFFERENTIAL TRAVEL	.330 2.9	.385 3.4	1290	13	250

CAM ACTUATION PER EN50041, FIGURES 8 AND 9

CATALOG LISTING	CONTACT BLOCK DIAGRAM	NOMINAL TRAVELS AND RELATED TERMINALS CONTACT CLOSED, CONTACT OPEN, CONTACT CLOSED DIFFERENTIAL TRAVEL, ** POSITIVE OPENING TO IEC 947-5 DIMENSIONS IN mm	MAXIMUM OPERATING FORCE LB	MAXIMUM DISCONNECT FORCE LB	MAX OPERATE VEL IN/S	MIN OPERATE VEL IN/S	MAX OPERATE FREQUENCY OPS/MIN
GL**02A*	SNAP - ACTION CONTACTS SINGLE POLE 	 12 DIFFERENTIAL TRAVEL	9.7 2.2	11.4 2.6	.85 33.5	8.5 .33	250

MGL SERIES CHART 2

DRAWING NUMBER: 11

ISSUE: 11

DRAWN: P.T.C./CAD

THIS DRAWING COVERS A PROPRIETARY ITEM AND IS THE PROPERTY OF MICRO SWITCH, A DIVISION OF HONEYWELL. THIS DRAWING IS NOT TO BE COPIED OR USED WITHOUT THE APPROVAL OF MICRO SWITCH.

FED. MFG. CODE 91929

MICRO SWITCH
a Honeywell Division

SWITCH, ENCLOSED

CATALOG LISTING
GL SERIES CHART 2

NO PLACES	X	1/16	1/32	0.015	0.015
TWO PLACES	X, XX	0.0015	0.0015	0.0015	0.0015
THREE PLACES	X, XX, XXX	0.0015	0.0015	0.0015	0.0015

DESIGN UNITS: SI METRIC US CUSTOMARY

WEIGHT

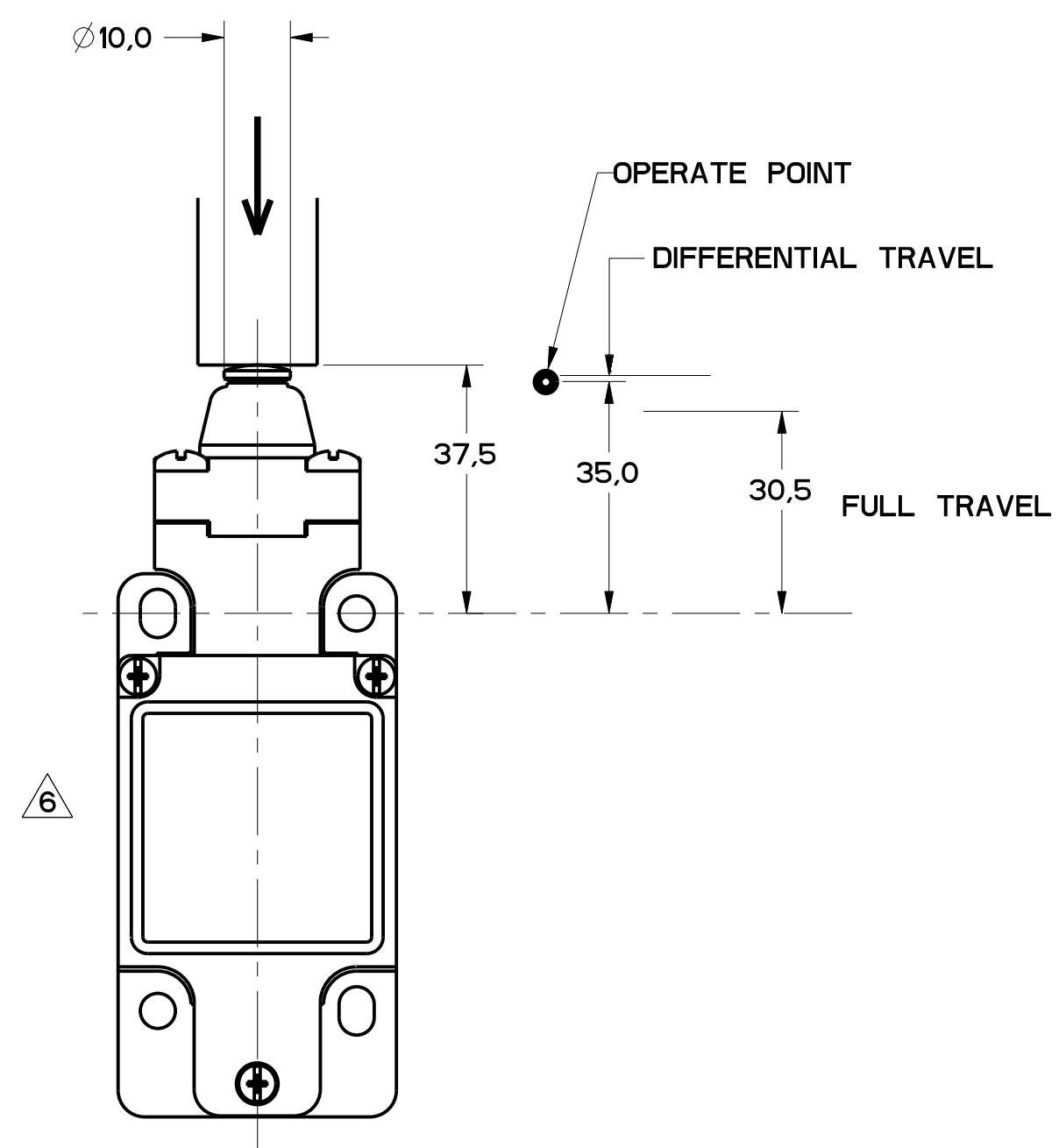


FIGURE 11

FIGURES 11, PIN PLUNGER HEAD, LINEAR ACTUATION							
CATALOG LISTING	CONTACT BLOCK DIAGRAM	NOMINAL TRAVELS AND RELATED TERMINALS CONTACT CLOSED, CONTACT OPEN, CONTACT CLOSED DIFFERENTIAL TRAVEL, ** POSITIVE OPENING TO IEC 947-5-1	MAXIMUM OPERATING FORCE N LB	MAXIMUM DISCONNECT FORCE N LB	MAX OPERATE VEL m/s in/s	MIN OPERATE VEL m/s in/s	MAX OPERATE FREQUENCY OPS/MIN
GL**02B	SNAP - ACTION CONTACTS SINGLE POLE 		16 3.6	27 6.0	0.1 3.9	1.0 .04	250

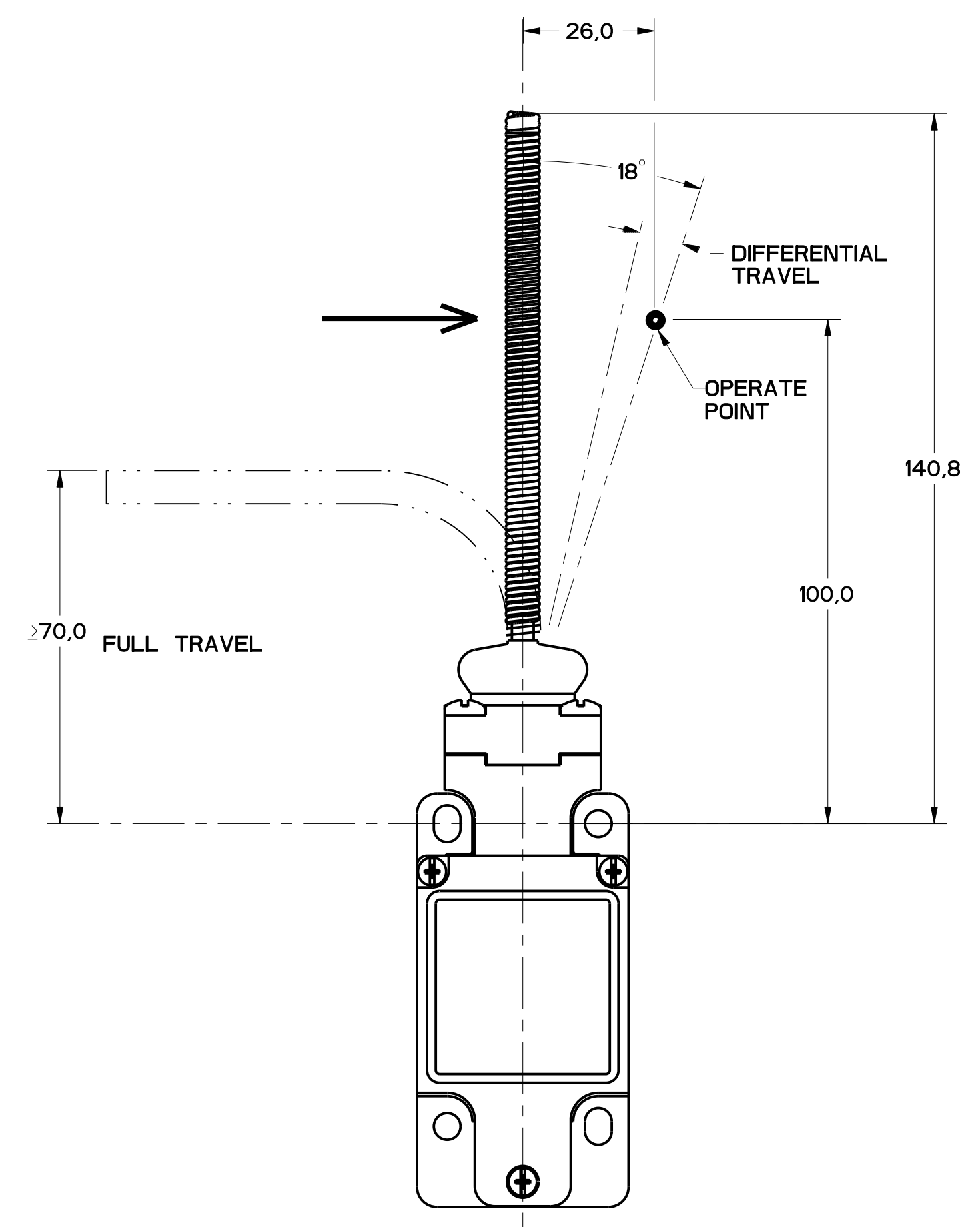


FIGURE 12

FIGURE 12, WOBBLE HEAD, ANGULAR ACTUATION							
CATALOG LISTING	CONTACT BLOCK DIAGRAM	NOMINAL TRAVELS AND RELATED TERMINALS CONTACT CLOSED, CONTACT OPEN, CONTACT CLOSED DIFFERENTIAL TRAVEL, ** POSITIVE OPENING TO IEC 947-5-1	MAXIMUM OPERATING TORQUE N·m LB/in	MAXIMUM DISCONNECT TORQUE N·m LB/in	MAX OPERATE DEGREE/S	MIN OPERATE VELOCITY DEGREE/S	MAX OPERATE RATE CYCLES/MIN
GL**02E	SNAP - ACTION CONTACTS SINGLE POLE 		0.2 1.8	N/A	360	8	100

FIGURE 12, WOBBLE HEAD, SIDE ACTUATION AT 100mm							
CATALOG LISTING	CONTACT BLOCK DIAGRAM	NOMINAL TRAVELS AND RELATED TERMINALS CONTACT CLOSED, CONTACT OPEN, CONTACT CLOSED DIFFERENTIAL TRAVEL, ** POSITIVE OPENING TO IEC 947-5-1	MAXIMUM OPERATING FORCE N LB	MAXIMUM DISCONNECT FORCE N LB	MAX OPERATE VEL m/s in/s	MIN OPERATE VEL m/s in/s	MAX OPERATE FREQUENCY OPS/MIN
GL**02E	SNAP - ACTION CONTACTS SINGLE POLE 		2.5 0.6	N/A	.5 19.7	11 .43	100

MBL SERIES CHART 2
 DRAWING NUMBER: 5 OF 8
 RELEASE NO. PR-20782
 CHECK: MDM
 DATE: 5-JAN-94
 MAM
 PTC/CAD
 WLS
 11
 10
 9
 8
 7
 6
 5
 4
 3
 2
 1

THIS DRAWING COVERS A PROPRIETARY ITEM AND IS THE PROPERTY OF MICRO SWITCH, A DIVISION OF HONEYWELL. THIS DRAWING IS NOT TO BE COPIED OR USED WITHOUT THE APPROVAL OF MICRO SWITCH.

FED. MFG. CODE 91929

MICRO SWITCH
a Honeywell Division

SWITCH, ENCLOSED

CATALOG LISTING
GL SERIES CHART 2

THIRD ANGLE PROJECTION

SCALE: FULL

DO NOT SCALE PRINT

TOLERANCES
APPLY TO DESIGN UNITS. CONVERSIONS ARE ONLY FOR REFERENCE. UNLESS NOTED, TOLERANCES ARE:

NO. PLACES	SI METRIC	US CUSTOMARY
TWO PLACES	±0.04	±0.0015
THREE PLACES	±0.015	±0.0005

DESIGN UNITS: SI METRIC US CUSTOMARY

WEIGHT

FIGURE 13A, ROLLER PLUNGER HEAD, PIN ACTUATION

CATALOG LISTING	CONTACT BLOCK DIAGRAM	NOMINAL TRAVELS AND RELATED TERMINALS CONTACT CLOSED, CONTACT OPEN, CONTACT CLOSED DIFFERENTIAL TRAVEL, ** POSITIVE OPENING TO IEC 947-5	MAXIMUM OPERATING FORCE LB	MAXIMUM DISCONNECT FORCE LB	MAX OPERATE VEL in/S	MIN OPERATE VEL in/S	MAX OPERATE FREQUENCY OPS/MIN
GL**02C	SNAP - ACTION CONTACTS SINGLE POLE 	 0.9 DIFFERENTIAL TRAVEL	$\frac{16}{3.6}$	$\frac{27}{6.0}$	$\frac{0.1}{3.9}$	$\frac{1.0}{.04}$	250

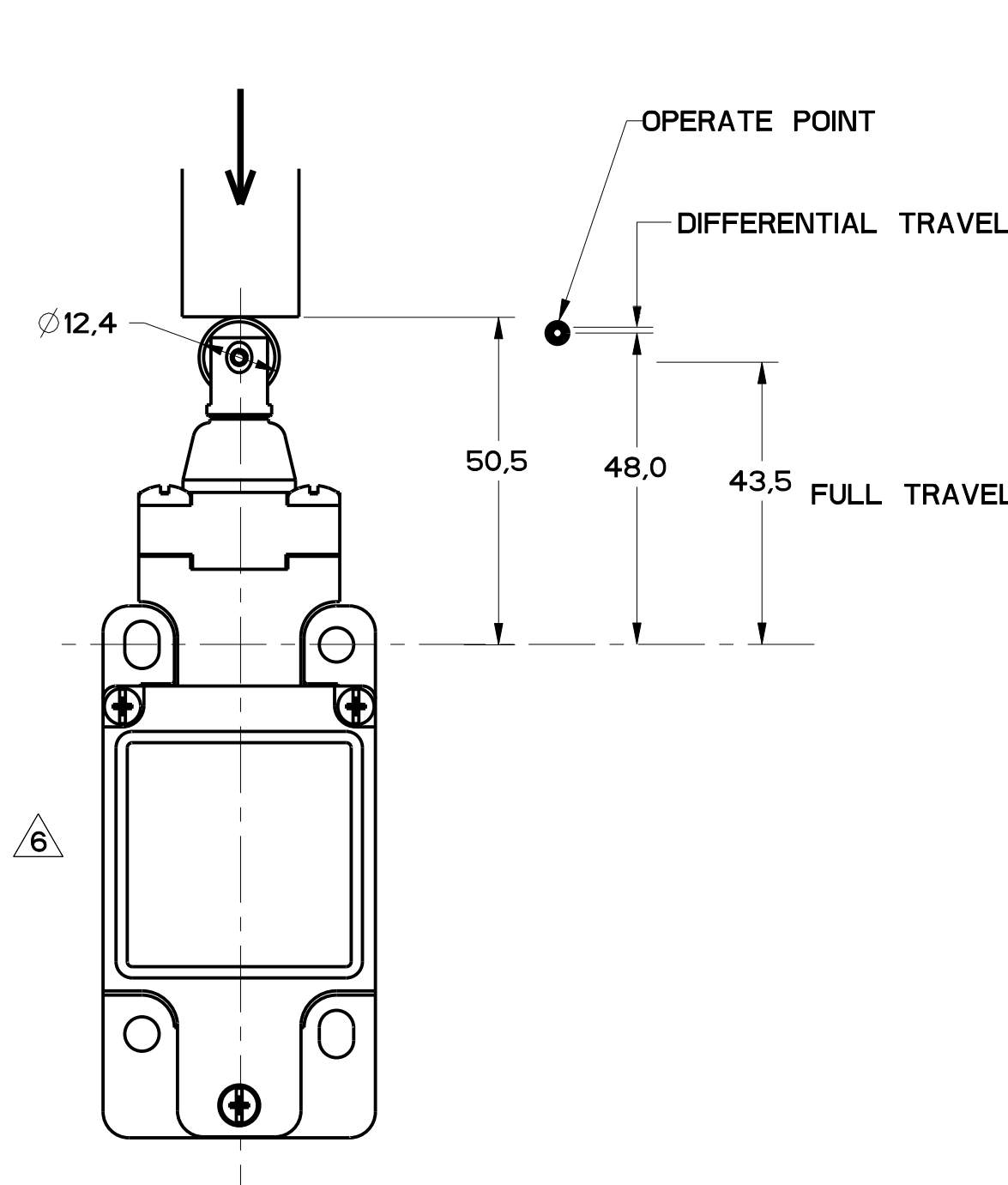


FIGURE 13A



FIGURE 13B

FIGURE 13B, TOP ROLLER PLUNGER HEAD, CAM ACTUATION PER EN50041

CATALOG LISTING	CONTACT BLOCK DIAGRAM	NOMINAL TRAVELS AND RELATED TERMINALS CONTACT CLOSED, CONTACT OPEN, CONTACT CLOSED DIFFERENTIAL TRAVEL, ** POSITIVE OPENING TO IEC 947-5	MAXIMUM OPERATING FORCE LB	MAXIMUM DISCONNECT FORCE LB	MAX OPERATE VEL in/S	MIN OPERATE VEL in/S	MAX OPERATE FREQUENCY OPS/MIN
GL**02C	SNAP - ACTION CONTACTS SINGLE POLE 	 1.8 DIFFERENTIAL TRAVEL	$\frac{9.3}{2.1}$	$\frac{15.6}{3.5}$	$\frac{0.17}{6.7}$	$\frac{1.7}{.067}$	250

MBL SERIES CHART 2
 DRAWING NUMBER: 6 OF 8
 RELEASE NO. PR-20782
 REVISIONS: 11
 CHECK: MDM
 DATE: 12/01/82
 BY: 000401
 DATE: 2/10/83
 BY: 000286
 DATE: 2/21/84
 BY: 0017532
 DATE: 02/02/85

PTC/CAD
 DRAWN: WLS
 CHECK: MAM
 DATE: 5-JAN-84

THIS DRAWING COVERS A PROPRIETARY ITEM AND IS THE PROPERTY OF MICRO SWITCH, A DIVISION OF HONEYWELL. THIS DRAWING IS NOT TO BE COPIED OR USED WITHOUT THE APPROVAL OF MICRO SWITCH. FED. MFG. CODE 91929		CATALOG LISTING SWITCH, ENCLOSED GL SERIES CHART 2	
MICRO SWITCH a Honeywell Division		SI METRIC DESIGN UNITS: <input checked="" type="checkbox"/> SI METRIC <input type="checkbox"/> US CUSTOMARY TOLERANCES: APPLY TO DESIGN UNITS. CONCESSIONS ARE ONLY FOR REFERENCE, UNLESS NOTED. TOLERANCES ARE: DIM TOL DIM TOL NO PLACES X .12 .12 X .1 0.01 ONE PLACE X .12 0.01 X .12 0.01 TWO PLACES X .12 0.01 X .12 0.01 THREE PLACES X .12 0.01 X .12 0.01 ANGLES ± .2 ± .2 WEIGHT: <input checked="" type="checkbox"/> SI METRIC <input type="checkbox"/> US CUSTOMARY	

FIGURE 14A, TOP ROLLER LEVER HEAD WITH PIN ACTUATION

CATALOG LISTING	CONTACT BLOCK DIAGRAM	NOMINAL TRAVELS AND RELATED TERMINALS CONTACT CLOSED, CONTACT OPEN, CONTACT CLOSED DIFFERENTIAL TRAVEL, ** POSITIVE OPENING TO IEC 947-5	MAXIMUM OPERATING FORCE LB	MAXIMUM DISCONNECT FORCE LB	MAX OPERATE VEL in/S	MIN OPERATE VEL in/S	MAX OPERATE FREQUENCY OPS/MIN
GL**02D	SNAP - ACTION CONTACTS SINGLE POLE 	 1.7 DIFFERENTIAL TRAVEL	9.5 2.1	12 2.7	0.17 6.7	1.7 .067	250

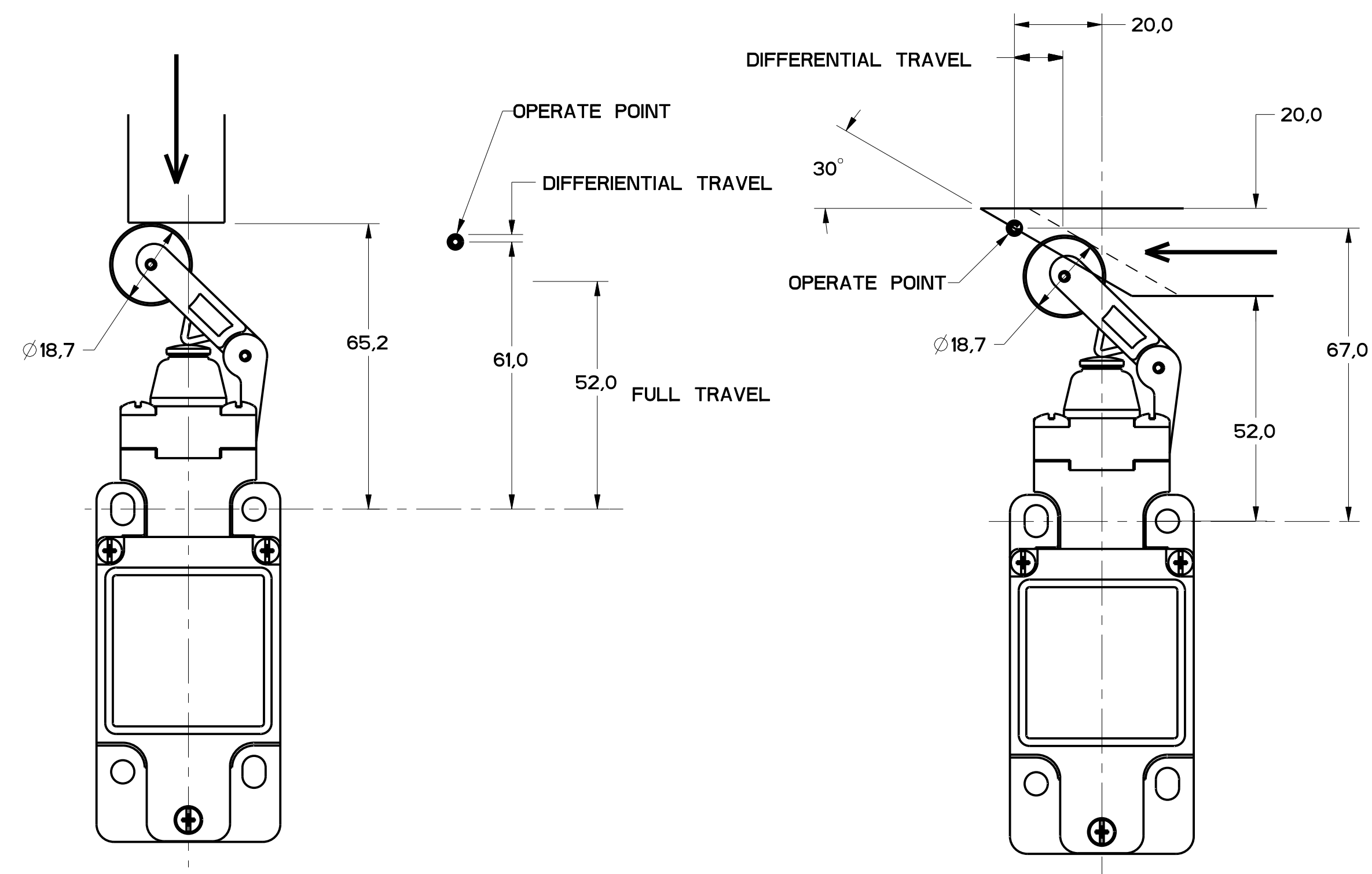


FIGURE 14A

FIGURE 14B

FIGURE 14B, TOP ROLLER LEVER HEAD WITH CAM ACTUATION

CATALOG LISTING	CONTACT BLOCK DIAGRAM	NOMINAL TRAVELS AND RELATED TERMINALS CONTACT CLOSED, CONTACT OPEN, CONTACT CLOSED DIFFERENTIAL TRAVEL, ** POSITIVE OPENING TO IEC 947-5	MAXIMUM OPERATING FORCE LB	MAXIMUM DISCONNECT FORCE LB	MAX OPERATE VEL in/S	MIN OPERATE VEL in/S	MAX OPERATE FREQUENCY OPS/MIN
GL**02D	SNAP - ACTION CONTACTS SINGLE POLE 	 4.1 DIFFERENTIAL TRAVEL	5.5 1.2	7.0 1.6	0.29 11.4	2.9 .11	250

11	MDM
12	MDM
13	MDM
14	MDM
15	MDM
16	MDM
17	MDM
18	MDM
19	MDM
20	MDM
21	MDM
22	MDM
23	MDM
24	MDM
25	MDM
26	MDM
27	MDM
28	MDM
29	MDM
30	MDM
31	MDM
32	MDM
33	MDM
34	MDM
35	MDM
36	MDM
37	MDM
38	MDM
39	MDM
40	MDM
41	MDM
42	MDM
43	MDM
44	MDM
45	MDM
46	MDM
47	MDM
48	MDM
49	MDM
50	MDM

THIS DRAWING COVERS A PROPRIETARY ITEM AND IS THE PROPERTY OF MICRO SWITCH, A DIVISION OF HONEYWELL. THIS DRAWING IS NOT TO BE COPIED OR USED WITHOUT THE APPROVAL OF MICRO SWITCH.

FED. MFG. CODE 91929

MICRO SWITCH
a Honeywell Division

SWITCH, ENCLOSED

CATALOG LISTING
GL SERIES CHART 2

NO PLACES	X	1/2	1/4	1/8	0.01
ONE PLACE	X, X	0.001	0.002	0.005	0.001
TWO PLACES	X, X	0.001	0.002	0.005	0.001
THREE PLACES	X, X, X	0.001	0.002	0.005	0.001

DESIGN UNITS: SI METRIC US CUSTOMARY

WEIGHT

FIGURE 15, CAT WISKER HEAD, ANGULAR ACTUATION

CATALOG LISTING	CONTACT BLOCK DIAGRAM	NOMINAL TRAVELS AND RELATED TERMINALS CONTACT CLOSED, CONTACT OPEN, DIFFERENTIAL TRAVEL	MAXIMUM OPERATING TORQUE LB-IN	MAXIMUM DISCONNECT TORQUE LB-IN	MAX OPERATE DEGREE/S	MIN OPERATE VELOCITY DEGREE/S	MAX OPERATE RATE CYCLES/MIN
GL**02K	SNAP - ACTION CONTACTS SINGLE POLE 		$\frac{0.1}{.9}$	N/A	360	8	100

FIGURE 15, CAT WISKER HEAD, SIDE ACTUATION AT 100mm

CATALOG LISTING	CONTACT BLOCK DIAGRAM	NOMINAL TRAVELS AND RELATED TERMINALS CONTACT CLOSED, CONTACT OPEN, DIFFERENTIAL TRAVEL	MAXIMUM OPERATING FORCE LB	MAXIMUM DISCONNECT FORCE LB	MAX OPERATE VEL IN/S	MIN OPERATE VEL IN/S	MAX OPERATE FREQUENCY OPS/MIN
GL**02K	SNAP - ACTION CONTACTS SINGLE POLE 		$\frac{1.3}{.3}$	N/A	$\frac{.5}{19.7}$	$\frac{11}{.43}$	100

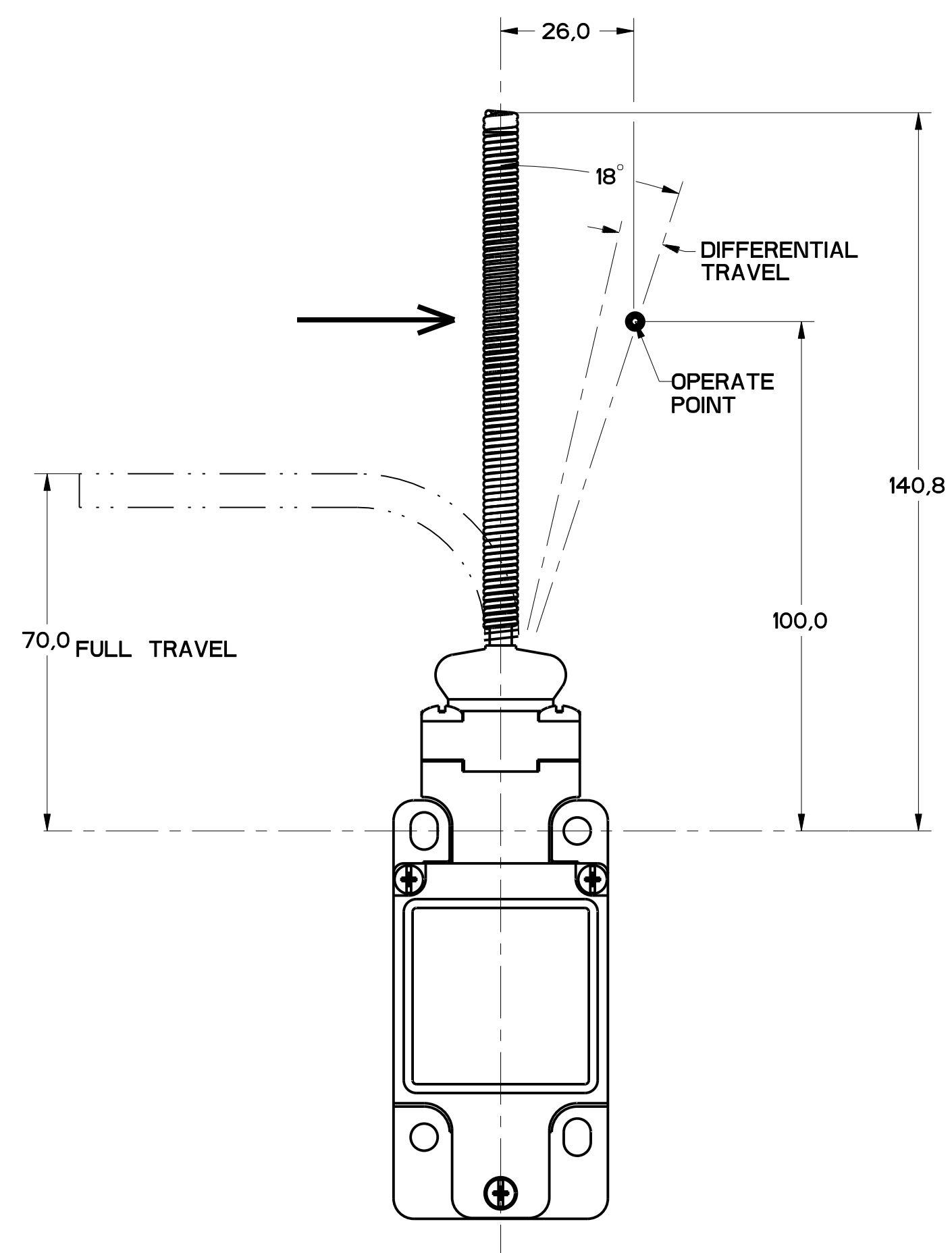


FIGURE 15

11	ISSUE	MDM	CHECK
1	DESIGNING	MDM	CHECK
2	DRAWING NUMBER	MDM	CHECK
3	DATE	MDM	CHECK
4	BY	MDM	CHECK
5	APP'D	MDM	CHECK
6	DATE	MDM	CHECK
7	BY	MDM	CHECK
8	APP'D	MDM	CHECK
9	DATE	MDM	CHECK
10	BY	MDM	CHECK
11	APP'D	MDM	CHECK
12	DATE	MDM	CHECK
13	BY	MDM	CHECK
14	APP'D	MDM	CHECK
15	DATE	MDM	CHECK
16	BY	MDM	CHECK
17	APP'D	MDM	CHECK
18	DATE	MDM	CHECK
19	BY	MDM	CHECK
20	APP'D	MDM	CHECK
21	DATE	MDM	CHECK
22	BY	MDM	CHECK
23	APP'D	MDM	CHECK
24	DATE	MDM	CHECK
25	BY	MDM	CHECK
26	APP'D	MDM	CHECK
27	DATE	MDM	CHECK
28	BY	MDM	CHECK
29	APP'D	MDM	CHECK
30	DATE	MDM	CHECK

THIS DRAWING COVERS A PROPRIETARY ITEM AND IS THE PROPERTY OF MICRO SWITCH, A DIVISION OF HONEYWELL. THIS DRAWING IS NOT TO BE COPIED OR USED WITHOUT THE APPROVAL OF MICRO SWITCH.

FED. MFG. CODE 91929

MICRO SWITCH
a Honeywell Division

SWITCH, ENCLOSED

CATALOG LISTING
GL SERIES CHART 2

NO PLACES	±.04	±.04	±.04	±.04
TWO PLACES	±.04	±.04	±.04	±.04
THREE PLACES	±.04	±.04	±.04	±.04
ANGLES	±.04	±.04	±.04	±.04

DESIGN UNITS: SI METRIC US CUSTOMARY

WEIGHT



Компания «ЭлектроПласт» предлагает заключение долгосрочных отношений при поставках импортных электронных компонентов на взаимовыгодных условиях!

Наши преимущества:

- Оперативные поставки широкого спектра электронных компонентов отечественного и импортного производства напрямую от производителей и с крупнейших мировых складов;
- Поставка более 17-ти миллионов наименований электронных компонентов;
- Поставка сложных, дефицитных, либо снятых с производства позиций;
- Оперативные сроки поставки под заказ (от 5 рабочих дней);
- Экспресс доставка в любую точку России;
- Техническая поддержка проекта, помощь в подборе аналогов, поставка прототипов;
- Система менеджмента качества сертифицирована по Международному стандарту ISO 9001;
- Лицензия ФСБ на осуществление работ с использованием сведений, составляющих государственную тайну;
- Поставка специализированных компонентов (Xilinx, Altera, Analog Devices, Intersil, Interpoint, Microsemi, Aeroflex, Peregrine, Syfer, Eurofarad, Texas Instrument, Miteq, Cobham, E2V, MA-COM, Hittite, Mini-Circuits, General Dynamics и др.);

Помимо этого, одним из направлений компании «ЭлектроПласт» является направление «Источники питания». Мы предлагаем Вам помощь Конструкторского отдела:

- Подбор оптимального решения, техническое обоснование при выборе компонента;
- Подбор аналогов;
- Консультации по применению компонента;
- Поставка образцов и прототипов;
- Техническая поддержка проекта;
- Защита от снятия компонента с производства.



Как с нами связаться

Телефон: 8 (812) 309 58 32 (многоканальный)

Факс: 8 (812) 320-02-42

Электронная почта: org@eplast1.ru

Адрес: 198099, г. Санкт-Петербург, ул. Калинина, дом 2, корпус 4, литера А.