

SIDE ROTARY

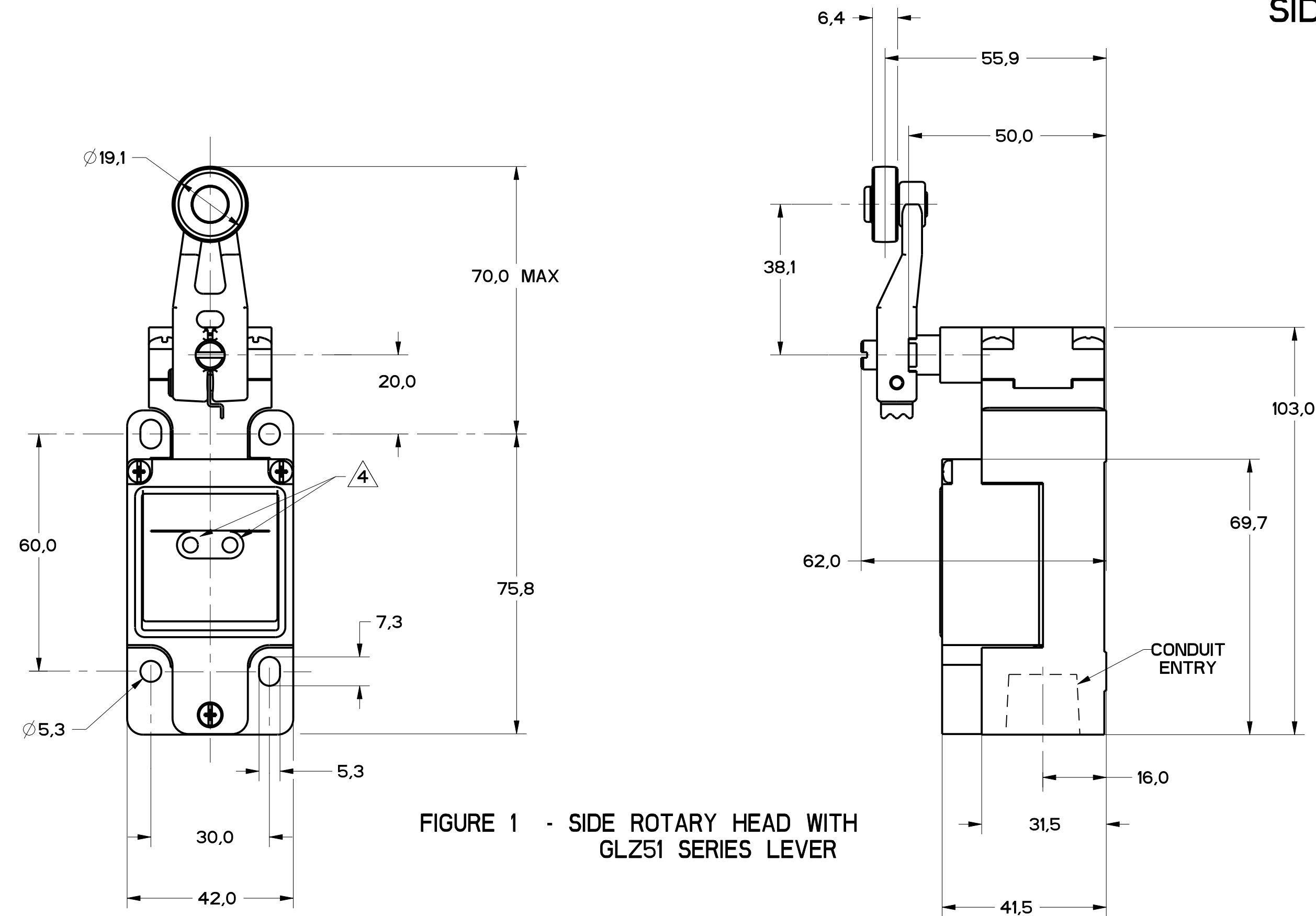


FIGURE 1 - SIDE ROTARY HEAD WITH GLZ51 SERIES LEVER

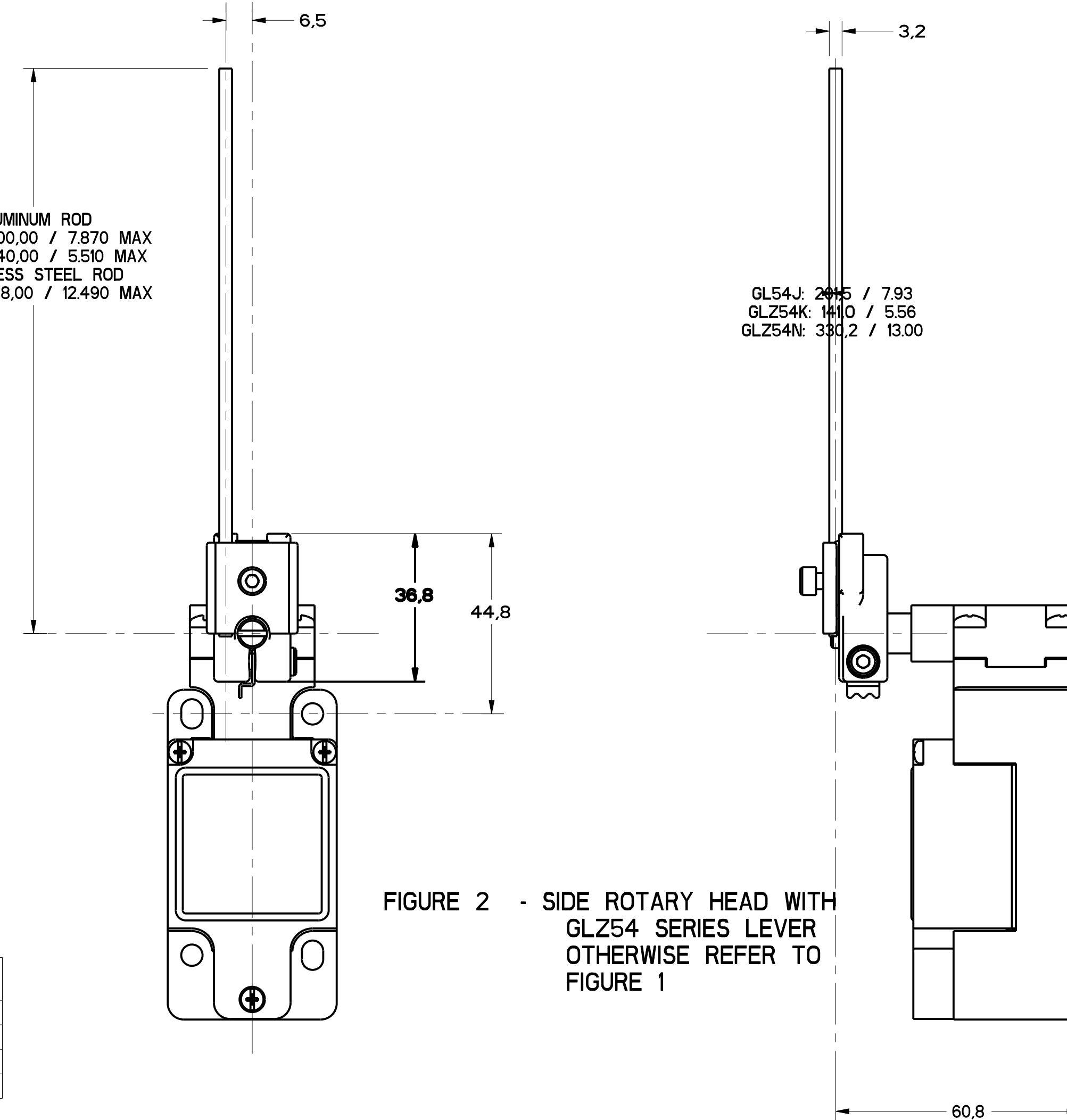


FIGURE 2 - SIDE ROTARY HEAD WITH GLZ54 SERIES LEVER OTHERWISE REFER TO FIGURE 1

FIGURE	CATALOG LISTING	CONDUIT ENTRY
1A	GL*A SERIES	1/2-14 NPT
1B	GL*B SERIES	PG13.5
1C	GL*C SERIES	20mm
1D	GL*D SERIES	PF1/2

ELECTRICAL RATING $\Delta 5$			
AC		DC	
A600 Ue	AC15 Ie	0300 Ue	DC13 Ie
(VOLTS)	(AMPS)	(VOLTS)	(AMPS)
120	6	24	2.8
240	3	125	.55
380	1.9	250	.27
480	1.5		
500	1.4		
600	1.2		

ENVIRONMENTAL RATING	
IP67	
NEMA/UL TYPES 1, 4, 12, 13	

- NOTES
- HEADS MAY BE INDEXED IN 90° INCREMENTS
  - LEVERS MAY BE KEYED TO THE SHAFT AT 90° INCREMENTS. THEY MAY ALSO BE ATTACHED, BUT NOT KEYED ANYWHERE ON THE SHAFT.
  - FOR ADDITIONAL LEVERS SEE "M" DRAWING CHART GLZ5
  - THE RIGHT INDICATOR IS YELLOW AND INDICATES "OUTPUT STATUS" IT IS ON GLG SERIES PRODUCTS ONLY.
  - THE MAXIMUM VOLTAGE,  $V_e$  OF GLG SERIES PRODUCTS IS THE MAXIMUM RATED VOLTAGE OF INDICATION LIGHTS
  - FREE POSITION, OPERATE POINT, OVERTRAVEL AND PRETRAVEL ALL TO EN50041
  - CAM TRAVEL FOR FIG 9 ONLY APPLIES WHEN LEVER IS ADJUSTED TO 38.1 / 1.50
  - TEMPERATURE RANGE (ALL PRODUCTS EXCEPT W/SIDE ROTARY OPERATING HEAD) OPERATING: -25°C TO +85°C / -13°F TO +185°F STORAGE: -40°C TO +85°C / -40°F TO +185°F (PRODUCTS W/SIDE ROTARY OPERATING HEAD) OPERATING: -40°C TO +85°C / -40°F TO +185°F STORAGE: -40°C TO +85°C / -40°F TO +185°F

CATALOG LISTING	BODY DIMENSIONS, FIGURE	HEAD DIMENSIONS, FIGURE	HEAD ACTUATION, FIGURE
GLB***	I	N/A	N/A
GLG***	I	N/A	N/A
GLJ***	I	N/A	N/A
GLA***	1A	N/A	N/A
GLB***	1B	N/A	N/A
GLC***	1C	N/A	N/A
GLD***	1D	N/A	N/A
GL***A1*	I	1	8
GL***A2*	I	3	9
GL***A4*	I	2	10
GL***A5*	I		8
GL***B	I	4	11
GL***C	I	5	13A, 13B
GL***D	I	6	14A, 14B
GL***E7A	I	7A	12
GL***E7B	I	7	12
GL***E7C	I	7E	12
GL***E7D	I	7B	12
GL***K8A	I	7C	15
GL***K8B	I	7D	15
GL***K8C	I	7	15

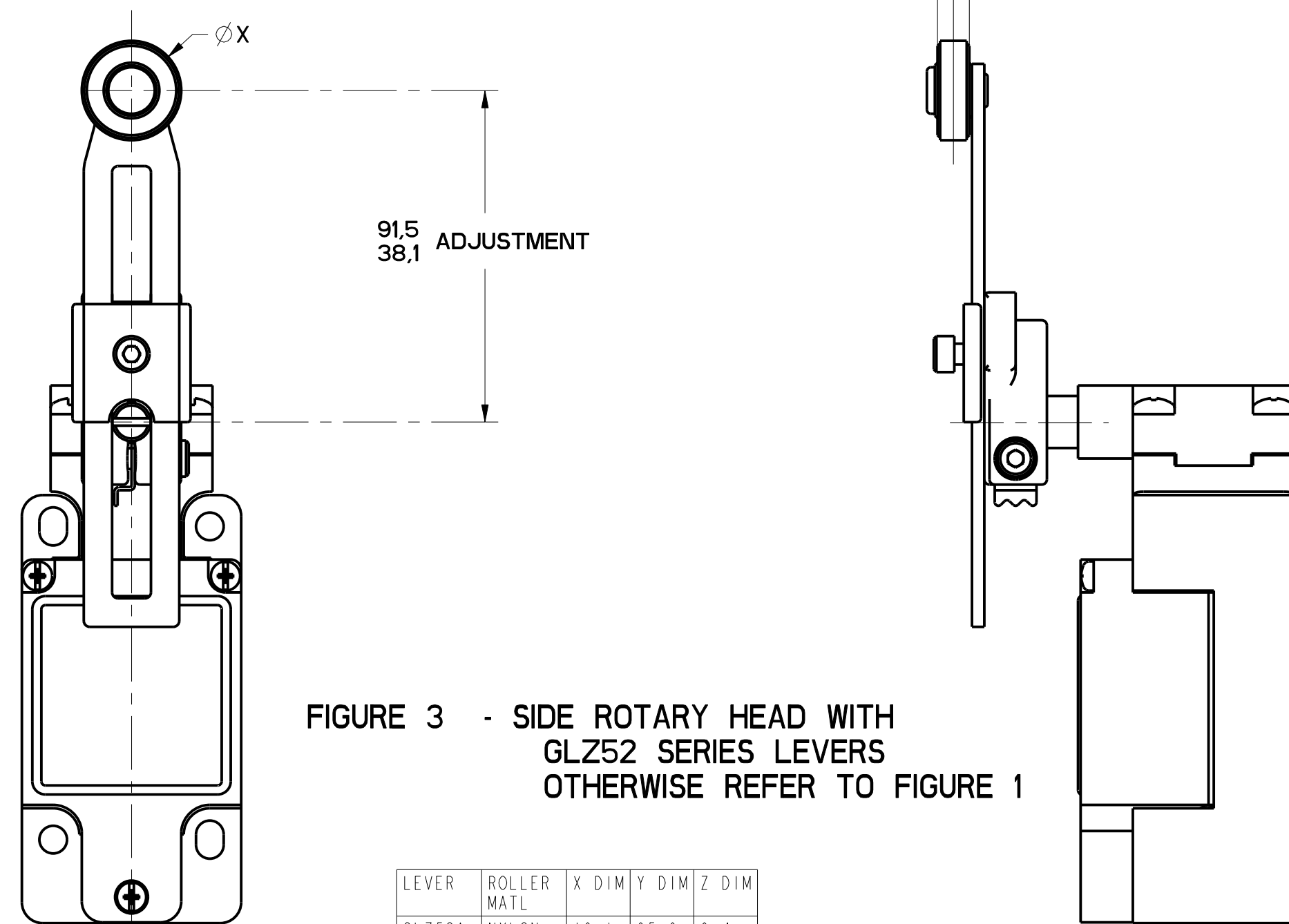


FIGURE 3 - SIDE ROTARY HEAD WITH GLZ52 SERIES LEVERS OTHERWISE REFER TO FIGURE 1

LEVER	ROLLER MATL	X DIM	Y DIM	Z DIM
GLZ52A	NYLON	19.1 .75	65.9 2.59	6.4 .25
GLZ52B	STEEL	19.1 .75	65.9 2.59	6.4 .25
GLZ52D	NYLON	38.1 1.5	65.9 2.59	6.4 .25
GLZ52E	NYLON	19.1 .75	79.37 3.125	33.07 1.300
GLZ52W	RUBBER	40.0 1.5	71.5 2.81	12.7 .5
GLZ52Y	RUBBER	50.9 2.0	71.5 2.81	12.7 .5

MGL SERIES CHART 2  
 DRAWING NUMBER: 11  
 CHECKED: MDM  
 RELEASE NO. PR-201782  
 DATE: 28 MARCH 98  
 PTC/CAD  
 S. A. V. 28MARCH98

THIS DRAWING COVERS A PROPRIETARY ITEM AND IS THE PROPERTY OF MICRO SWITCH, A DIVISION OF HONEYWELL. THIS DRAWING IS NOT TO BE COPIED OR USED WITHOUT THE APPROVAL OF MICRO SWITCH.

FED. MFG. CODE 91929

**MICRO SWITCH**  
a Honeywell Division

**SWITCH, ENCLOSED**

CATALOG LISTING  
**GL SERIES CHART 2**

SI METRIC  US CUSTOMARY

DESIGN UNITS: WEIGHT

THIRD ANGLE PROJECTION

SCALE: FULL

DO NOT SCALE PRINT

TOLERANCES

APPLY TO DESIGN UNITS. CONVERSIONS ARE ONLY FOR REFERENCE. UNLESS NOTED, TOLERANCES ARE:

NO. PLACES	SI	US	NO. PLACES	SI	US
TWO PLACES	0.01	0.0005	TWO PLACES	0.01	0.0005
THREE PLACES	0.001	0.0001	THREE PLACES	0.001	0.0001
ANGLES	±0.1°	±0.1°	ANGLES	±0.1°	±0.1°

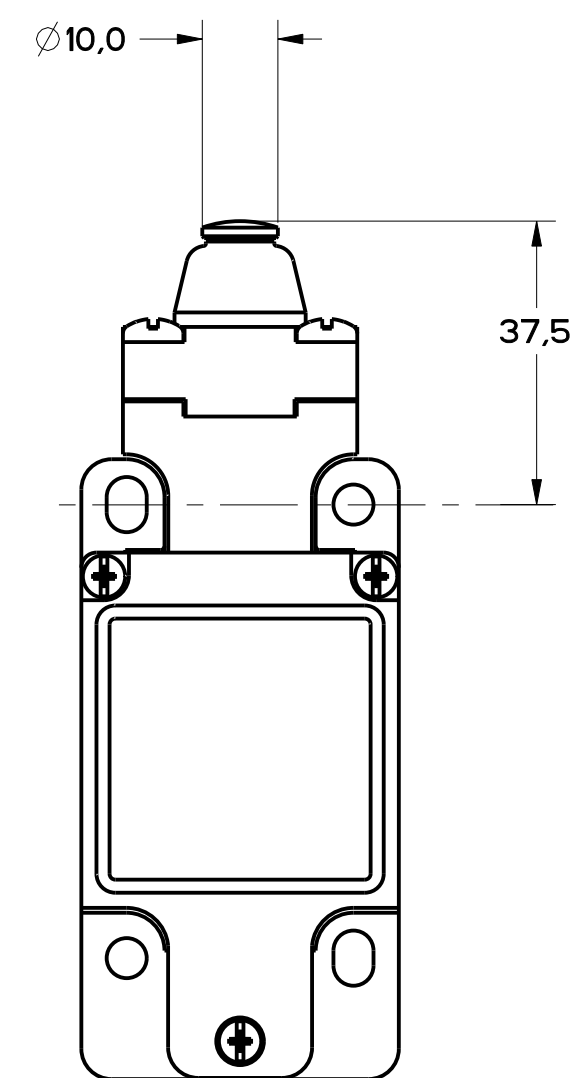


FIGURE 4 - TOP PIN PLUNGER HEAD  
OTHERWISE REFER TO  
FIGURE 1

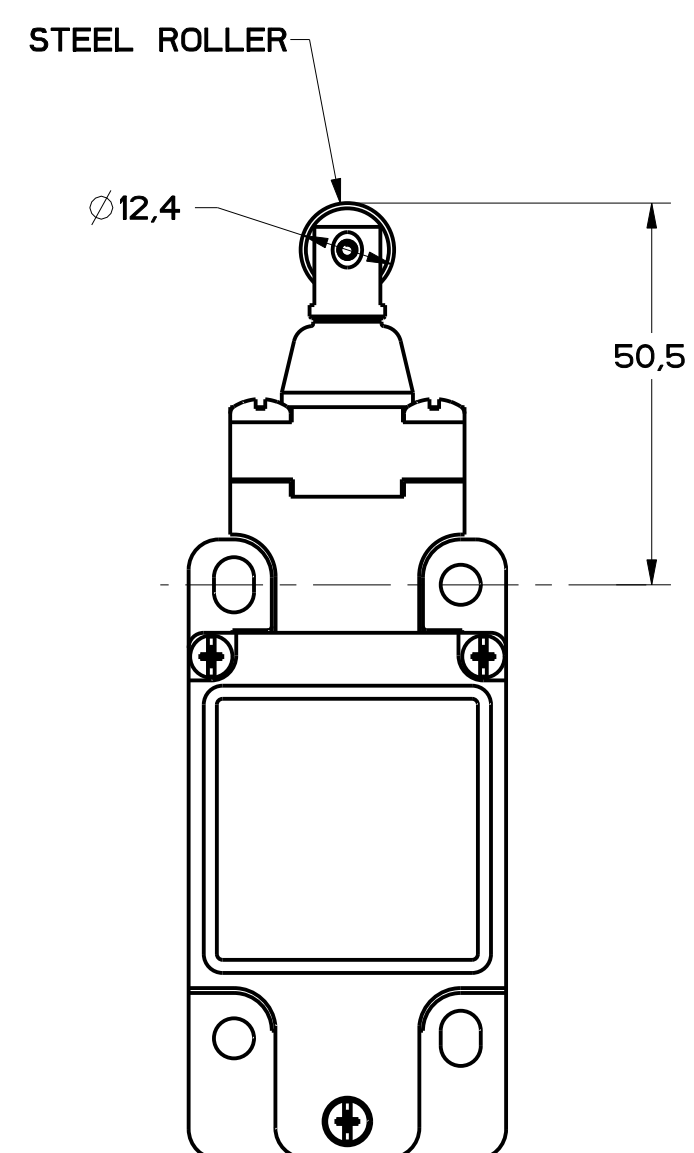
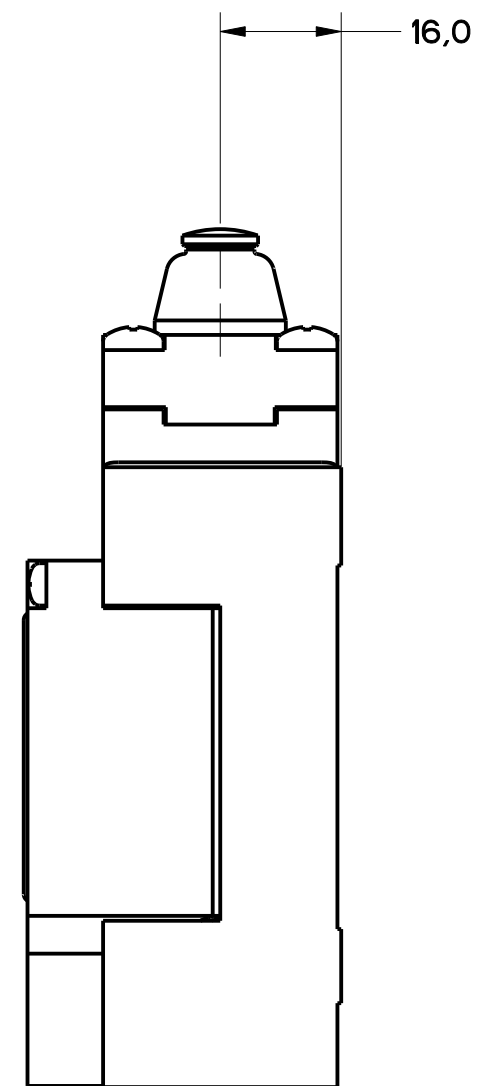


FIGURE 5 - TOP ROLLER PLUNGER HEAD  
OTHERWISE REFER TO  
FIGURE 1

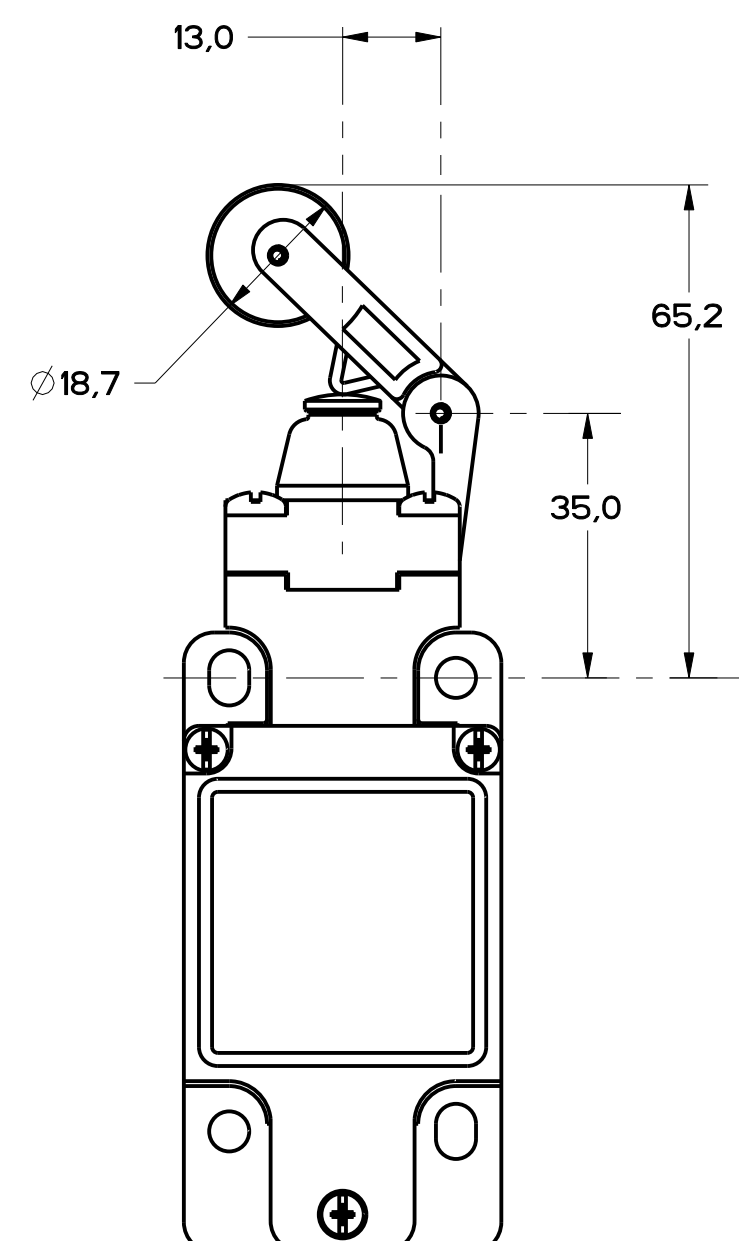
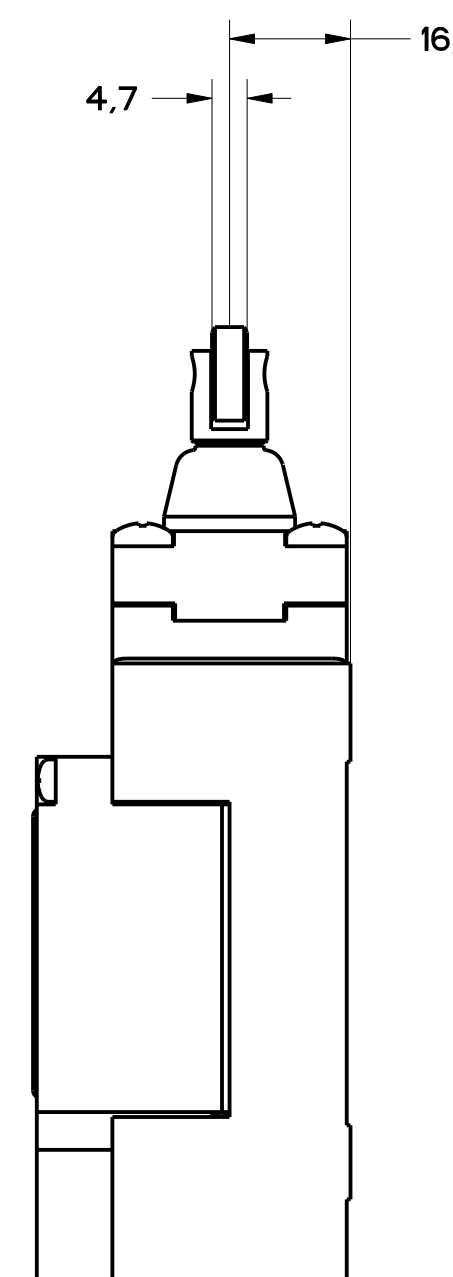
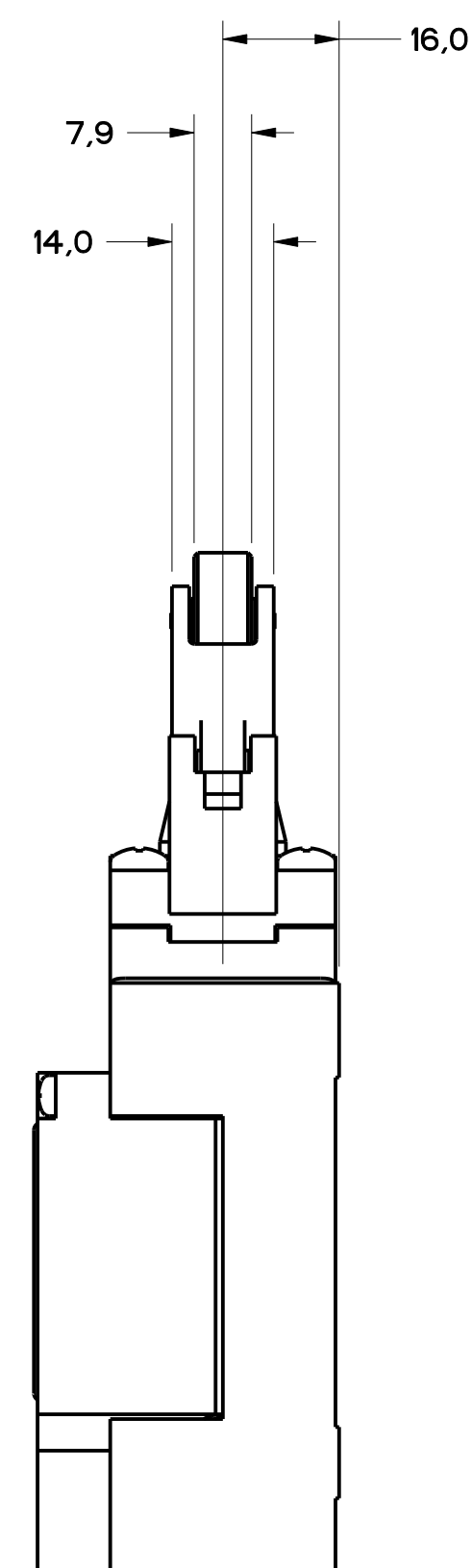


FIGURE 6 - TOP LEVER HEAD,  
OTHERWISE REFER TO  
FIGURE 1



MBL SERIES CHART 2  
 DRAWING NUMBER: 11  
 PAGE 1 OF 8  
 RELEASE NO. PR-20782  
 REVISIONS: 11  
 CHECK: MDM  
 DATE: 12/01/83  
 BY: R. J.

PTC/CAD

DRAWN

WLS

CHECK

GLH

LODEC3

CHECK

LODEC3

CHECK

LODEC3

CHECK

LODEC3

CHECK

LODEC3

CHECK

LODEC3

CHECK

LODEC3

CHECK

LODEC3

CHECK

LODEC3

CHECK

LODEC3

CHECK

LODEC3

CHECK

LODEC3

CHECK

LODEC3

CHECK

LODEC3

CHECK

LODEC3

CHECK

LODEC3

CHECK

LODEC3

CHECK

LODEC3

CHECK

LODEC3

CHECK

LODEC3

CHECK

LODEC3

CHECK

LODEC3

CHECK

LODEC3

CHECK

LODEC3

CHECK

LODEC3

CHECK

LODEC3

CHECK

LODEC3

CHECK

LODEC3

CHECK

LODEC3

CHECK

LODEC3

CHECK

LODEC3

CHECK

LODEC3

CHECK

LODEC3

CHECK

LODEC3

CHECK

LODEC3

CHECK

LODEC3

CHECK

LODEC3

CHECK

LODEC3

CHECK

LODEC3

CHECK

LODEC3

CHECK

LODEC3

CHECK

LODEC3

CHECK

LODEC3

CHECK

LODEC3

CHECK

LODEC3

CHECK

LODEC3

CHECK

LODEC3

CHECK

LODEC3

CHECK

LODEC3

CHECK

LODEC3

CHECK

LODEC3

CHECK

LODEC3

CHECK

LODEC3

CHECK

LODEC3

CHECK

LODEC3

CHECK

LODEC3

CHECK

LODEC3

CHECK

LODEC3

CHECK

LODEC3

CHECK

LODEC3

CHECK

LODEC3

CHECK

LODEC3

CHECK

LODEC3

CHECK

LODEC3

CHECK

LODEC3

CHECK

LODEC3

CHECK

LODEC3

CHECK

LODEC3

CHECK

THIS DRAWING COVERS A PROPRIETARY ITEM AND IS THE PROPERTY OF MICRO SWITCH, A DIVISION OF HONEYWELL. THIS DRAWING IS NOT TO BE COPIED OR USED WITHOUT THE APPROVAL OF MICRO SWITCH.		CATALOG LISTING	
FED. MFG. CODE 91929		SWITCH, ENCLOSED	
MICRO SWITCH a Honeywell Division		GL SERIES CHART 2	
DESIGN UNITS <input checked="" type="checkbox"/> SI METRIC <input type="checkbox"/>		US CUSTOMARY <input type="checkbox"/>	
WEIGHT			

THIRD ANGLE PROJECTION			
SCALE FULL			
DO NOT SCALE PRINT			
TOLERANCES			
APPLY TO DESIGN UNITS. CONVERSIONS ARE ONLY FOR REFERENCE, UNLESS NOTED. TOLERANCES ARE:			
	SI	US	US
NO PLACES	±0.04	±0.0015	±0.0015
ONE PLACE	±0.05	±0.002	±0.002
TWO PLACES	±0.005	±0.0005	±0.0005
THREE PLACES	±0.0005	±0.0001	±0.0001
ANGLES	±2'		

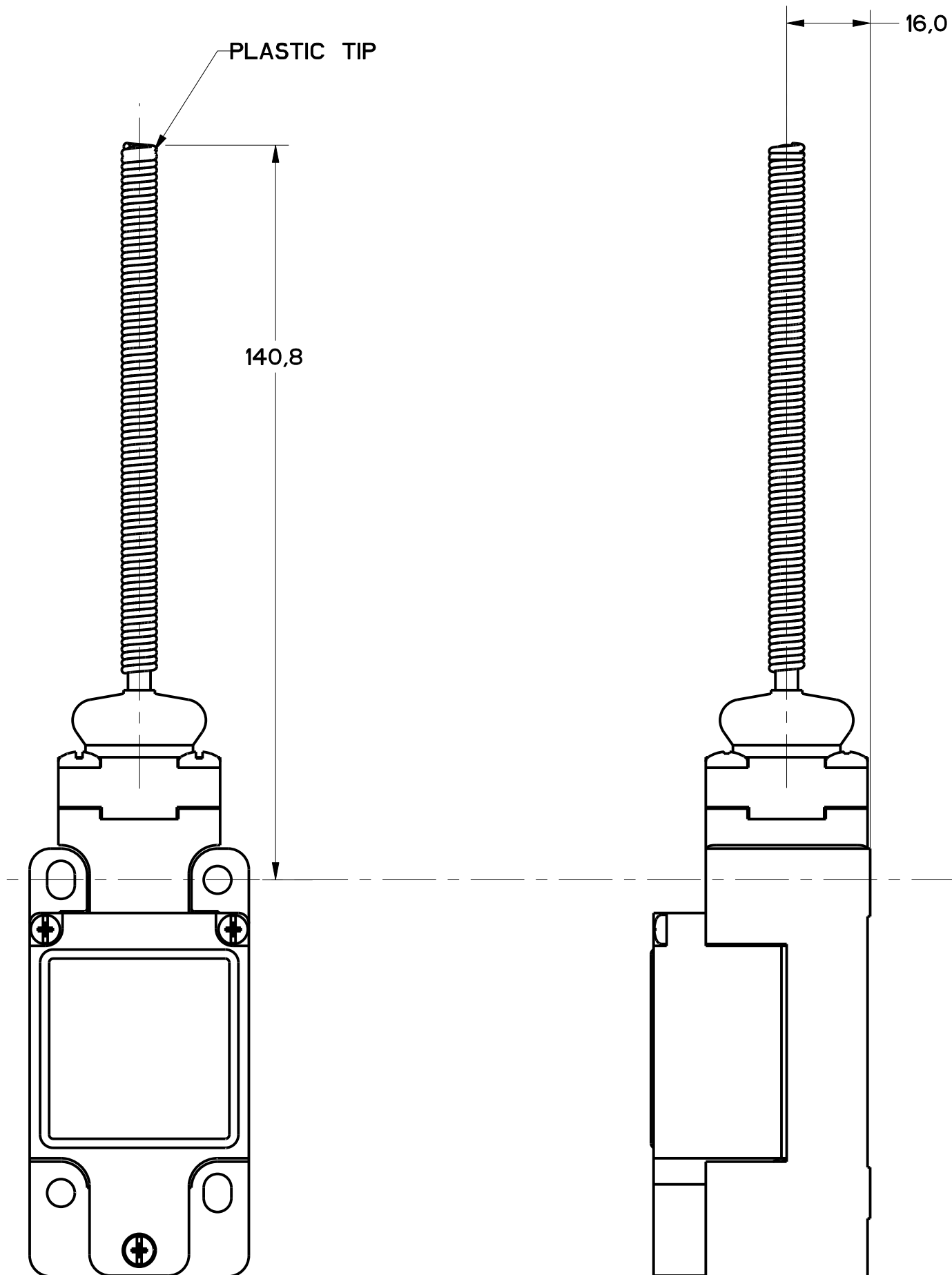


FIGURE 7 - WOBBLE HEAD, AND CAT WHISKER HEAD COIL ACTUATOR, OTHERWISE REFER TO FIGURE 1

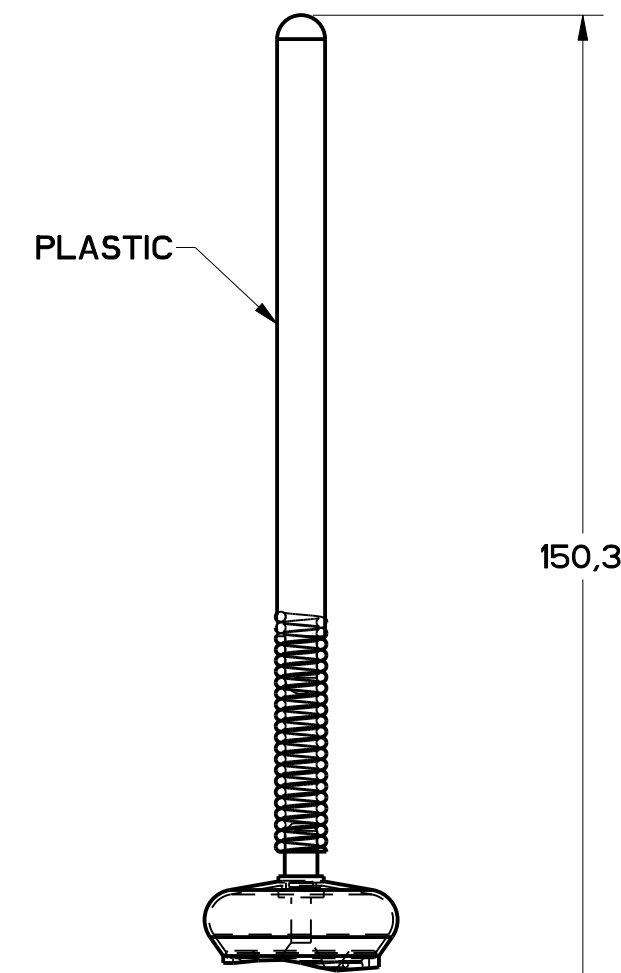


FIGURE 7A - WOBBLE HEAD, PLASTIC ACTUATOR, OTHERWISE SAME AS FIGURE 7

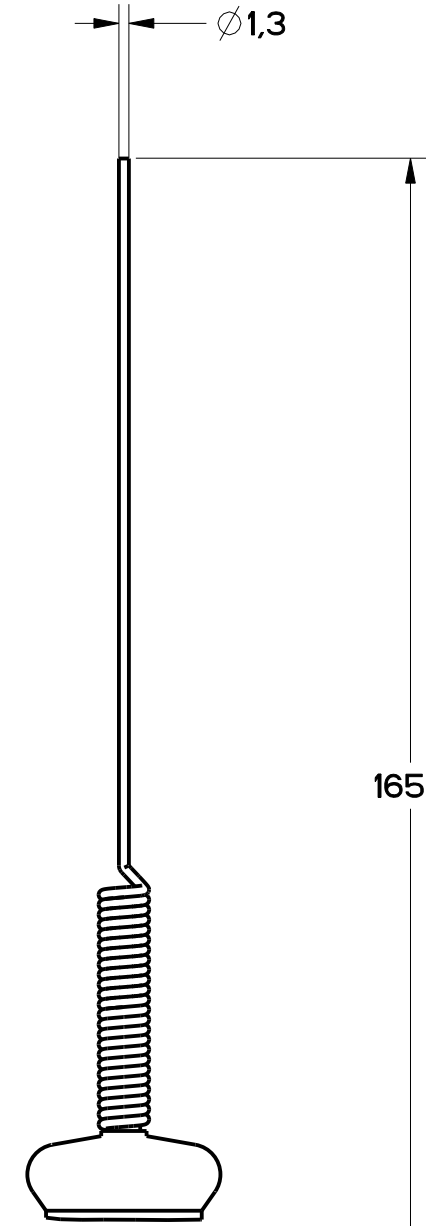


FIGURE 7B - WOBBLE HEAD, STAINLESS STEEL SPRING ACTUATOR, OTHERWISE SAME AS FIGURE 7

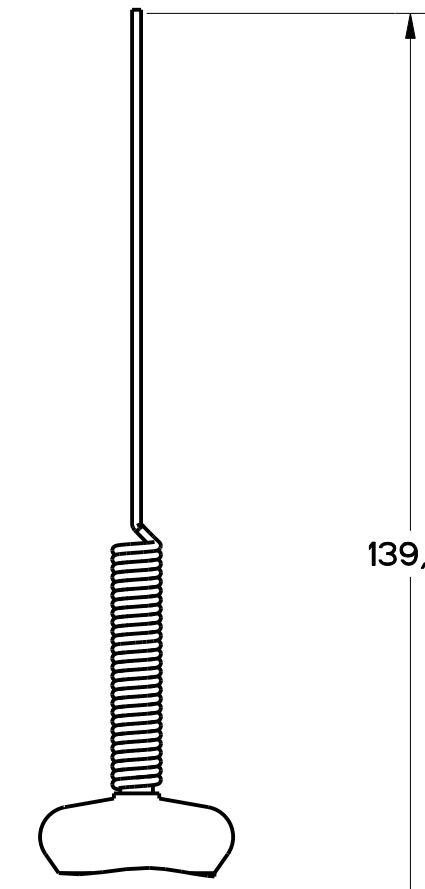


FIGURE 7C - CAT WHISKER ACTUATOR, STAINLESS STEEL SPRING, OTHERWISE SAME AS FIGURE 7

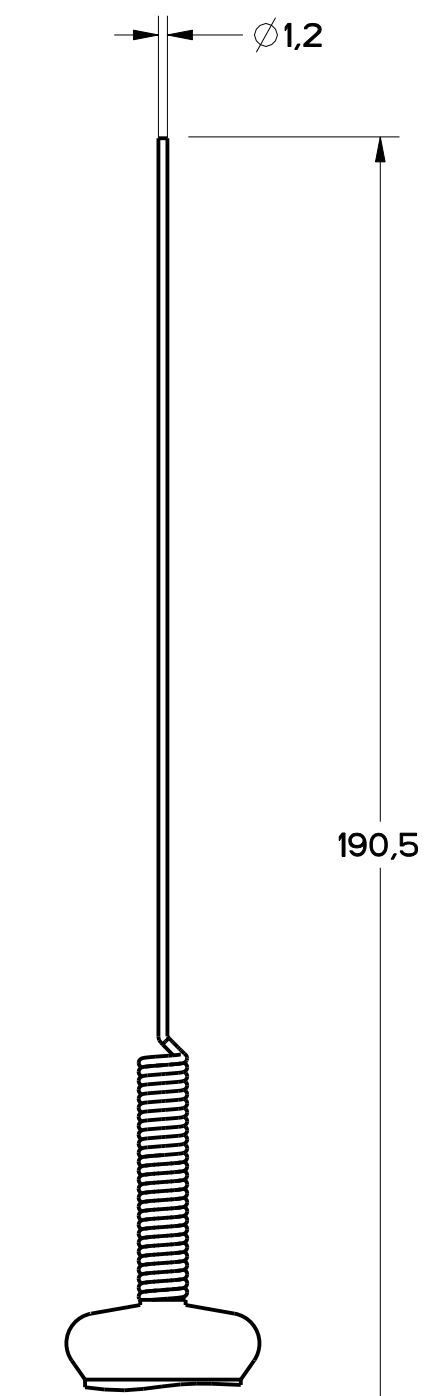


FIGURE 7D - CAT WHISKER ACTUATOR, STAINLESS STEEL SPRING, OTHERWISE SAME AS FIGURE 7

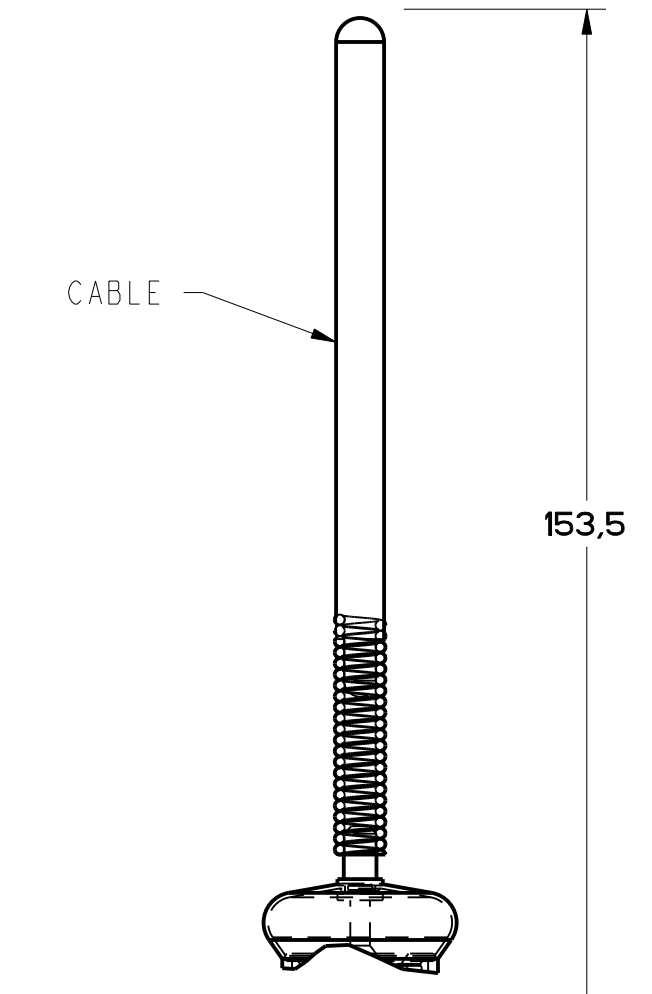


FIGURE 7E - CABLE WOBBLE ACTUATOR, OTHERWISE SAME AS FIGURE 7

DRAWING NUMBER: 11  
 ISSUE: 11  
 P.T.C./CAD: S.A.V.  
 DATE: MAY 95  
 CHECKED: S.A.V.  
 APPROVED: S.A.V.  
 RELEASE NO. PR-21537  
 REVISIONS: A (2.5.57), B (MAY 96), C (9.7.98), D (20.4.03), E (0002986), F (20.4.04), G (0017532), H (0002985)

THIS DRAWING COVERS A PROPRIETARY ITEM AND IS THE PROPERTY OF MICRO SWITCH, A DIVISION OF HONEYWELL. THIS DRAWING IS NOT TO BE COPIED OR USED WITHOUT THE APPROVAL OF MICRO SWITCH. FED. MFG. CODE 91929 <b>MICRO SWITCH</b> a Honeywell Division		SWITCH, ENCLOSED CATALOG LISTING <b>GL SERIES CHART 2</b>	THIRD ANGLE PROJECTION SCALE: FULL DO NOT SCALE PRINT TOLERANCES APPLY TO DESIGN UNITS. CONVERSIONS ARE ONLY FOR REFERENCE, UNLESS NOTED. TOLERANCES ARE: NO PLACES X .04 ONE PLACE X .1 TWO PLACES X .04 THREE PLACES X .01 ANGLES $\pm 2^{\circ}$ DESIGN UNITS: SI METRIC <input checked="" type="checkbox"/> US CUSTOMARY <input type="checkbox"/> WEIGHT
--	--	---	---



FIGURE 8

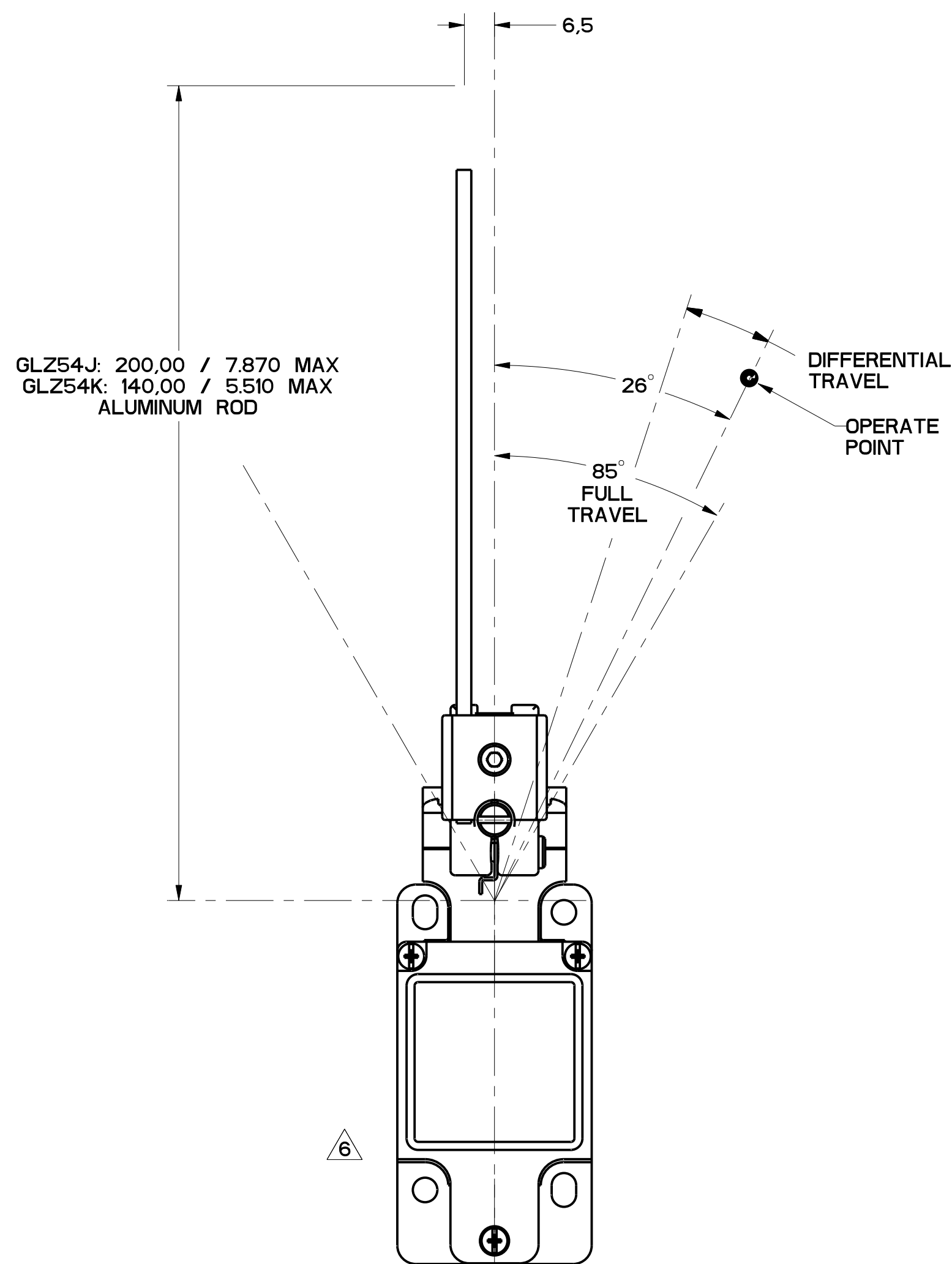


FIGURE 10

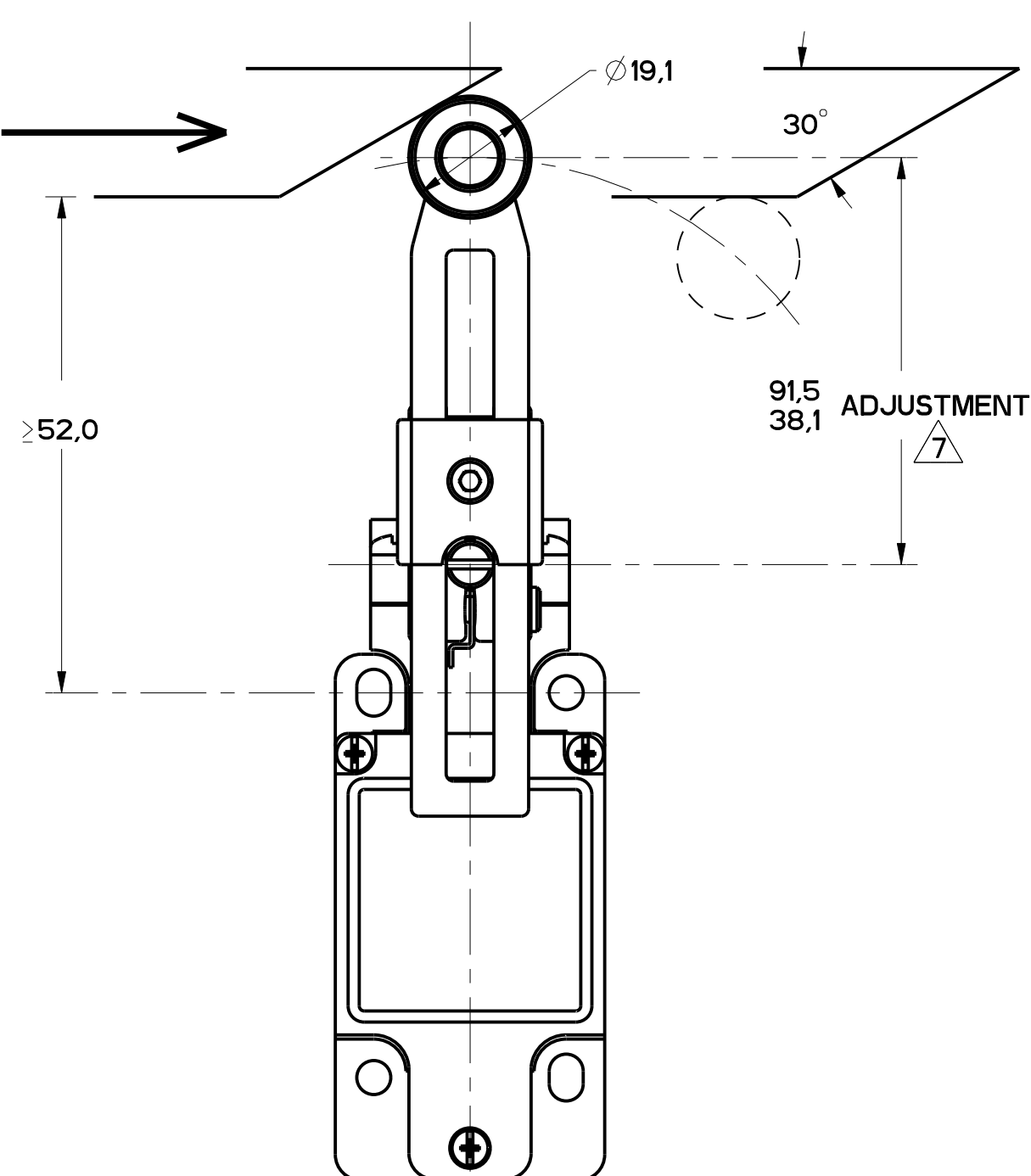


FIGURE 9

FIGURES 8, 9, 10 ANGULAR ACTUATION

CATALOG LISTING	CONTACT BLOCK DIAGRAM	NOMINAL TRAVELS AND RELATED TERMINALS CONTACT CLOSED, CONTACT OPEN, CONTACT CLOSED DIFFERENTIAL TRAVEL, ** POSITIVE OPENING TO IEC 947-5	MAXIMUM OPERATING TORQUE LB-IN	MAXIMUM DISCONNECT TORQUE LB-IN	MAX OPERATE DEGREE/S	MIN OPERATE DEGREE/S	MAX OPERATE FREQUENCY OPS/MIN
GL**02A*	SNAP - ACTION CONTACTS SINGLE POLE 	21-22 26° 55**° 85° 13-14 > < 12° DIFFERENTIAL TRAVEL	.330 2.9	.385 3.4	1290	13	250

CAM ACTUATION PER EN50041, FIGURES 8 AND 9

CATALOG LISTING	CONTACT BLOCK DIAGRAM	NOMINAL TRAVELS AND RELATED TERMINALS CONTACT CLOSED, CONTACT OPEN, CONTACT CLOSED DIFFERENTIAL TRAVEL, ** POSITIVE OPENING TO IEC 947-5 DIMENSIONS IN mm	MAXIMUM OPERATING FORCE LB	MAXIMUM DISCONNECT FORCE LB	MAX OPERATE VEL IN/S	MIN OPERATE VEL IN/S	MAX OPERATE FREQUENCY OPS/MIN
GL**02A*	SNAP - ACTION CONTACTS SINGLE POLE 	21-22 0 20 56** 13-14 > < 12 DIFFERENTIAL TRAVEL	9.7 2.2	11.4 2.6	.85 33.5	8.5 .33	250

11	ISSUE	MDM
10	ISSUE	MDM
9	ISSUE	MDM
8	ISSUE	MDM
7	ISSUE	MDM
6	ISSUE	MDM
5	ISSUE	MDM
4	ISSUE	MDM
3	ISSUE	MDM
2	ISSUE	MDM
1	ISSUE	MDM

THIS DRAWING COVERS A PROPRIETARY ITEM AND IS THE PROPERTY OF MICRO SWITCH, A DIVISION OF HONEYWELL. THIS DRAWING IS NOT TO BE COPIED OR USED WITHOUT THE APPROVAL OF MICRO SWITCH.

FED. MFG. CODE 91929

**MICRO SWITCH**  
a Honeywell Division

SWITCH, ENCLOSED

CATALOG LISTING  
**GL SERIES CHART 2**

NO PLACES	X	1/16	1/32	1/64	0.0015
TWO PLACES	X, XX	0.0015	0.0010	0.0005	0.0005
THREE PLACES	X, XX, XXX	0.0010	0.0005	0.0002	0.0001

DESIGN UNITS:  SI METRIC  US CUSTOMARY

WEIGHT

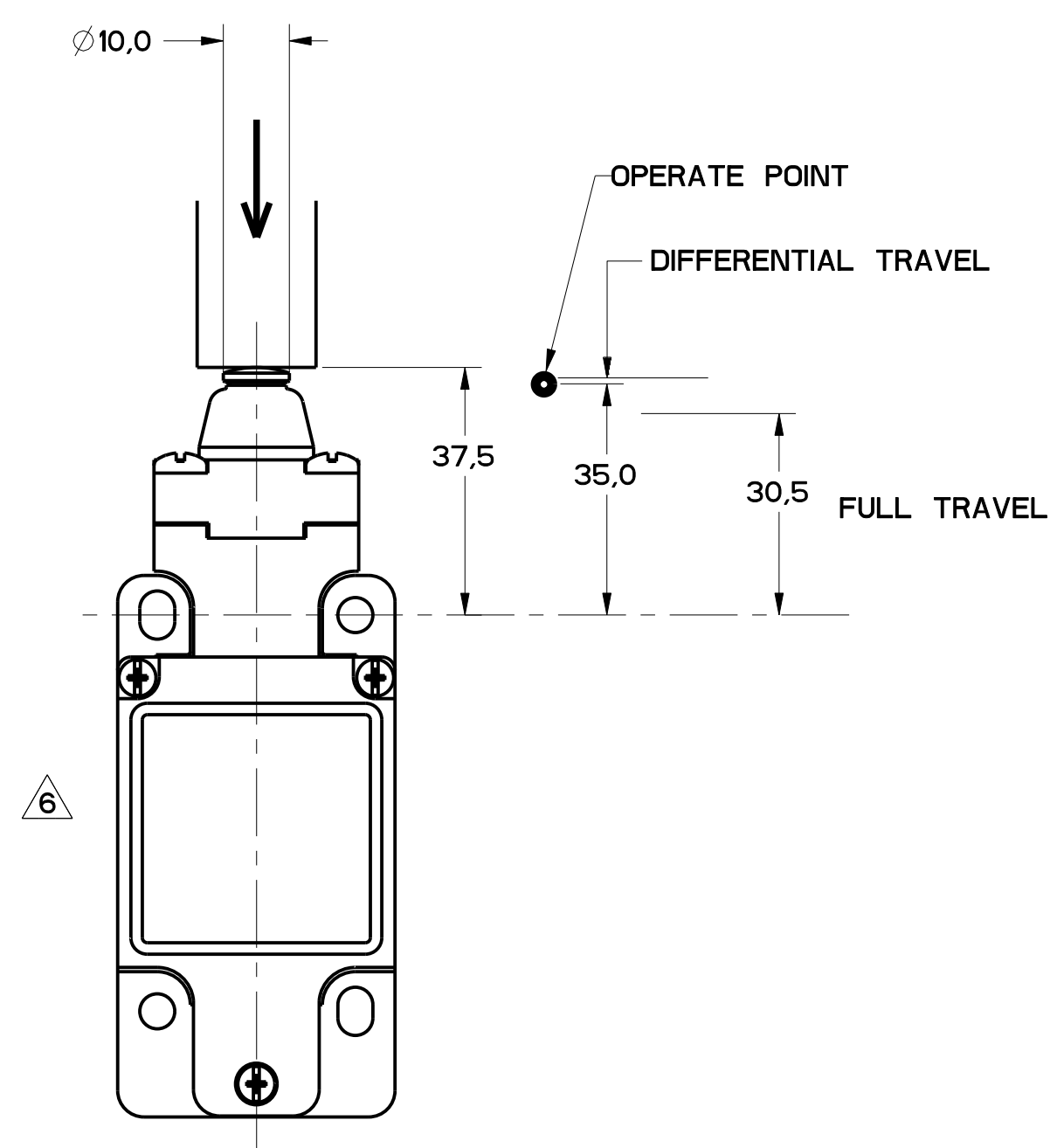


FIGURE 11

FIGURES 11, PIN PLUNGER HEAD, LINEAR ACTUATION							
CATALOG LISTING	CONTACT BLOCK DIAGRAM	NOMINAL TRAVELS AND RELATED TERMINALS CONTACT CLOSED, CONTACT OPEN, CONTACT CLOSED DIFFERENTIAL TRAVEL, ** POSITIVE OPENING TO IEC 947-5-1	MAXIMUM OPERATING FORCE N LB	MAXIMUM DISCONNECT FORCE N LB	MAX OPERATE VEL m/s in/s	MIN OPERATE VEL m/s in/s	MAX OPERATE FREQUENCY OPS/MIN
GL**02B	SNAP - ACTION CONTACTS SINGLE POLE 		16 3.6	27 6.0	0.1 3.9	1.0 .04	250

FIGURE 12, WOBBLE HEAD, ANGULAR ACTUATION

FIGURE 12, WOBBLE HEAD, ANGULAR ACTUATION							
CATALOG LISTING	CONTACT BLOCK DIAGRAM	NOMINAL TRAVELS AND RELATED TERMINALS CONTACT CLOSED, CONTACT OPEN, CONTACT CLOSED DIFFERENTIAL TRAVEL, ** POSITIVE OPENING TO IEC 947-5-1	MAXIMUM OPERATING TORQUE N·m LB/in	MAXIMUM DISCONNECT TORQUE N·m LB/in	MAX OPERATE DEGREE/S	MIN OPERATE VELOCITY DEGREE/S	MAX OPERATE RATE CYCLES/MIN
GL**02E	SNAP - ACTION CONTACTS SINGLE POLE 		0.2 1.8	N/A	360	8	100

FIGURE 12, WOBBLE HEAD, SIDE ACTUATION AT 100mm

FIGURE 12, WOBBLE HEAD, SIDE ACTUATION AT 100mm							
CATALOG LISTING	CONTACT BLOCK DIAGRAM	NOMINAL TRAVELS AND RELATED TERMINALS CONTACT CLOSED, CONTACT OPEN, CONTACT CLOSED DIFFERENTIAL TRAVEL, ** POSITIVE OPENING TO IEC 947-5-1	MAXIMUM OPERATING FORCE N LB	MAXIMUM DISCONNECT FORCE N LB	MAX OPERATE VEL m/s in/s	MIN OPERATE VEL m/s in/s	MAX OPERATE FREQUENCY OPS/MIN
GL**02E	SNAP - ACTION CONTACTS SINGLE POLE 		2.5 0.6	N/A	.5 19.7	11 .43	100

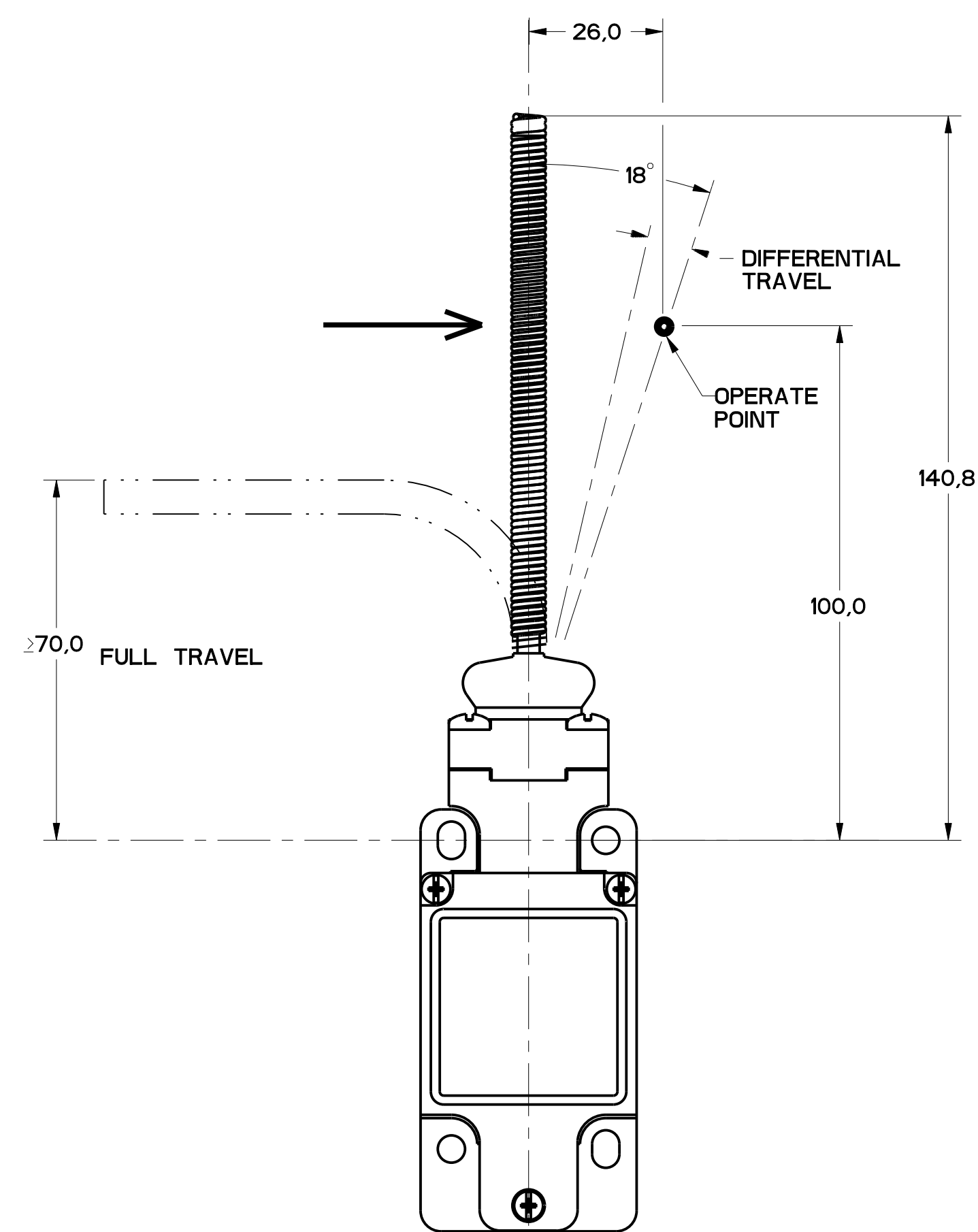


FIGURE 12

THIS DRAWING COVERS A PROPRIETARY ITEM AND IS THE PROPERTY OF MICRO SWITCH, A DIVISION OF HONEYWELL. THIS DRAWING IS NOT TO BE COPIED OR USED WITHOUT THE APPROVAL OF MICRO SWITCH.  
 FED. MFG. CODE 91929  
**MICRO SWITCH**  
 a Honeywell Division  
 SWITCH, ENCLOSED  
 CATALOG LISTING  
**GL SERIES CHART 2**  
 SI METRIC [X]  
 US CUSTOMARY [ ]  
 TOLERANCES  
 APPLY TO DESIGN UNITS. CONVERSIONS ARE ONLY FOR REFERENCE. UNLESS NOTED, TOLERANCES ARE:  
 DIM. TOL. DIM. TOL.  
 NO. PLACES X .04 X .1  
 ONE PLACE X .1 X .15  
 TWO PLACES X .02 X .03  
 THREE PLACES X .01 X .015  
 ANGLES ± 2  
 DESIGN UNITS [X] [ ]  
 WEIGHT

FIGURE 13A, ROLLER PLUNGER HEAD, PIN ACTUATION

CATALOG LISTING	CONTACT BLOCK DIAGRAM	NOMINAL TRAVELS AND RELATED TERMINALS CONTACT CLOSED, CONTACT OPEN, CONTACT CLOSED DIFFERENTIAL TRAVEL, ** POSITIVE OPENING TO IEC 947-5	MAXIMUM OPERATING FORCE LB	MAXIMUM DISCONNECT FORCE LB	MAX OPERATE VEL in/S	MIN OPERATE VEL in/S	MAX OPERATE FREQUENCY OPS/MIN
GL**02C	SNAP - ACTION CONTACTS SINGLE POLE 	 0.9 DIFFERENTIAL TRAVEL	$\frac{16}{3.6}$	$\frac{27}{6.0}$	$\frac{0.1}{3.9}$	$\frac{1.0}{.04}$	250

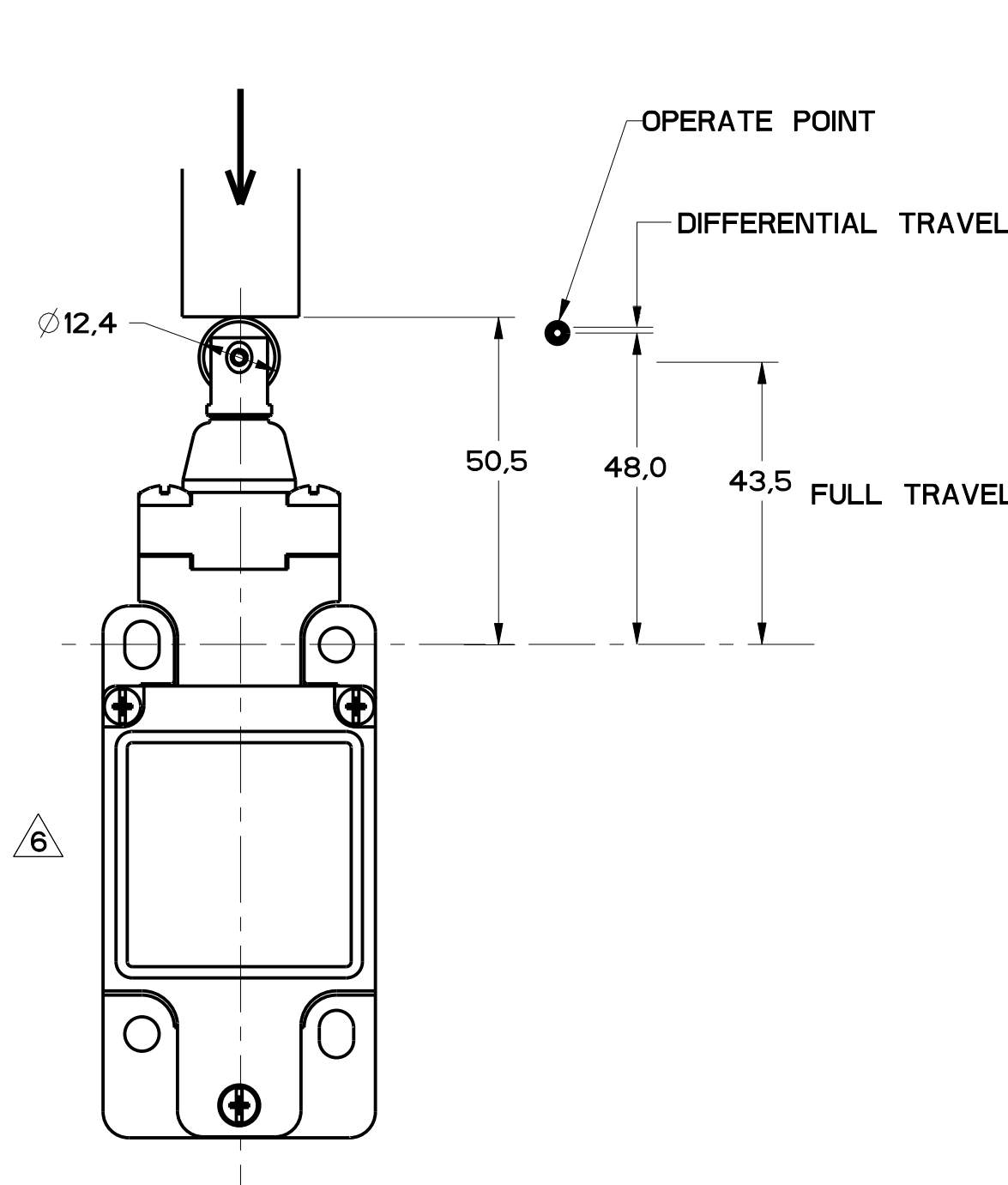


FIGURE 13A



FIGURE 13B

FIGURE 13B, TOP ROLLER PLUNGER HEAD, CAM ACTUATION PER EN50041

CATALOG LISTING	CONTACT BLOCK DIAGRAM	NOMINAL TRAVELS AND RELATED TERMINALS CONTACT CLOSED, CONTACT OPEN, CONTACT CLOSED DIFFERENTIAL TRAVEL, ** POSITIVE OPENING TO IEC 947-5	MAXIMUM OPERATING FORCE LB	MAXIMUM DISCONNECT FORCE LB	MAX OPERATE VEL in/S	MIN OPERATE VEL in/S	MAX OPERATE FREQUENCY OPS/MIN
GL**02C	SNAP - ACTION CONTACTS SINGLE POLE 	 1.8 DIFFERENTIAL TRAVEL	$\frac{9.3}{2.1}$	$\frac{15.6}{3.5}$	$\frac{0.17}{6.7}$	$\frac{1.7}{.067}$	250

MBL SERIES CHART 2  
 DRAWING NUMBER: 6 OF 8  
 RELEASE NO. PR-20782  
 REVISIONS: 11  
 CHECK: MDM  
 DATE: 12/01/82  
 BY: 000401  
 DATE: 2/10/83  
 BY: 000286  
 DATE: 2/21/84  
 BY: 0017532  
 DATE: 02/02/85

PTC/CAD  
 DRAWN: WLS  
 CHECK: MAM  
 DATE: 5-JAN-84

THIS DRAWING COVERS A PROPRIETARY ITEM AND IS THE PROPERTY OF MICRO SWITCH, A DIVISION OF HONEYWELL. THIS DRAWING IS NOT TO BE COPIED OR USED WITHOUT THE APPROVAL OF MICRO SWITCH. FED. MFG. CODE 91929		CATALOG LISTING <b>SWITCH, ENCLOSED</b> <b>GL SERIES CHART 2</b>	
MICRO SWITCH a Honeywell Division	SI METRIC DESIGN UNITS: <input checked="" type="checkbox"/> SI METRIC <input type="checkbox"/> US CUSTOMARY	TOLERANCES APPLY TO DESIGN UNITS. CONCESSIONS ARE ONLY FOR REFERENCE, UNLESS NOTED. TOLERANCES ARE:	THIRD ANGLE PROJECTION SCALE: FULL DO NOT SCALE PRINT

FIGURE 14A, TOP ROLLER LEVER HEAD WITH PIN ACTUATION

CATALOG LISTING	CONTACT BLOCK DIAGRAM	NOMINAL TRAVELS AND RELATED TERMINALS CONTACT CLOSED, CONTACT OPEN, CONTACT CLOSED DIFFERENTIAL TRAVEL, ** POSITIVE OPENING TO IEC 947-5	MAXIMUM OPERATING FORCE LB	MAXIMUM DISCONNECT FORCE LB	MAX OPERATE VEL in/S	MIN OPERATE VEL in/S	MAX OPERATE FREQUENCY OPS/MIN
GL**02D	SNAP - ACTION CONTACTS SINGLE POLE 	 1.7 DIFFERENTIAL TRAVEL	$\frac{9.5}{2.1}$	$\frac{12}{2.7}$	$\frac{0.17}{6.7}$	$\frac{1.7}{.067}$	250

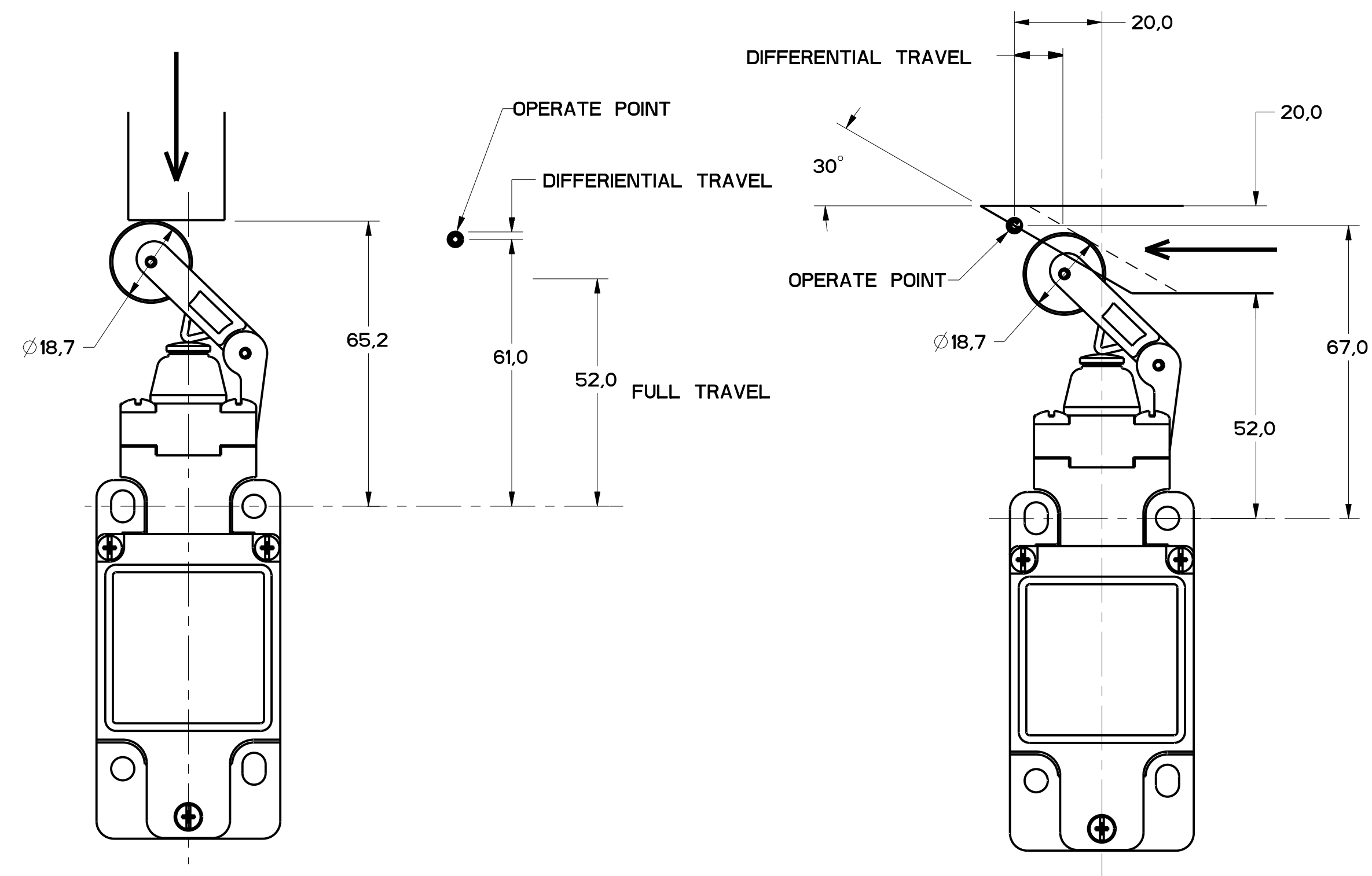


FIGURE 14A

FIGURE 14B

FIGURE 14B, TOP ROLLER LEVER HEAD WITH CAM ACTUATION

CATALOG LISTING	CONTACT BLOCK DIAGRAM	NOMINAL TRAVELS AND RELATED TERMINALS CONTACT CLOSED, CONTACT OPEN, CONTACT CLOSED DIFFERENTIAL TRAVEL, ** POSITIVE OPENING TO IEC 947-5	MAXIMUM OPERATING FORCE LB	MAXIMUM DISCONNECT FORCE LB	MAX OPERATE VEL in/S	MIN OPERATE VEL in/S	MAX OPERATE FREQUENCY OPS/MIN
GL**02D	SNAP - ACTION CONTACTS SINGLE POLE 	 4.1 DIFFERENTIAL TRAVEL	$\frac{5.5}{1.2}$	$\frac{7.0}{1.6}$	$\frac{0.29}{11.4}$	$\frac{2.9}{.11}$	250

REVISED	DATE	BY	REASON
11			
10			
9			
8			
7			
6			
5			
4			
3			
2			
1			

THIRD ANGLE PROJECTION			
SCALE: FULL			
DO NOT SCALE PRINT			
TOLERANCES			
APPLY TO DESIGN UNITS. CONFESSIONS ARE ONLY FOR REFERENCE, UNLESS NOTED. TOLERANCES ARE:			
NO PLACES	X	12.04	0.01
ONE PLACE	X.1	0.40714	0.001
TWO PLACES	X.11	0.15708	0.0001
THREE PLACES	X.111		
DESIGN UNITS: SI METRIC [X] US CUSTOMARY [ ]			
WEIGHT			

THIS DRAWING COVERS A PROPRIETARY ITEM AND IS THE PROPERTY OF MICRO SWITCH, A DIVISION OF HONEYWELL. THIS DRAWING IS NOT TO BE COPIED OR USED WITHOUT THE APPROVAL OF MICRO SWITCH.

FED. MFG. CODE 91929

**MICRO SWITCH**  
a Honeywell Division

SWITCH, ENCLOSED

CATALOG LISTING  
**GL SERIES CHART 2**

FIGURE 15, CAT WISKER HEAD, ANGULAR ACTUATION

CATALOG LISTING	CONTACT BLOCK DIAGRAM	NOMINAL TRAVELS AND RELATED TERMINALS ■ CONTACT CLOSED, □ CONTACT OPEN, ▨ DIFFERENTIAL TRAVEL - CONTACT CLOSED	MAXIMUM OPERATING TORQUE $\frac{m}{LB-IN}$	MAXIMUM DISCONNECT TORQUE $\frac{m}{LB-IN}$	MAX OPERATE DEGREE/S	MIN OPERATE VELOCITY DEGREE/S	MAX OPERATE RATE CYCLES/MIN
GL**02K	SNAP - ACTION CONTACTS SINGLE POLE 		$\frac{0.1}{.9}$	N/A	360	8	100

FIGURE 15, CAT WISKER HEAD, SIDE ACTUATION AT 100mm

CATALOG LISTING	CONTACT BLOCK DIAGRAM	NOMINAL TRAVELS AND RELATED TERMINALS ■ CONTACT CLOSED, □ CONTACT OPEN, ▨ DIFFERENTIAL TRAVEL	MAXIMUM OPERATING FORCE $\frac{m}{LB}$	MAXIMUM DISCONNECT FORCE $\frac{m}{LB}$	MAX OPERATE VEL $\frac{m}{IN/S}$	MIN OPERATE VEL $\frac{m}{IN/S}$	MAX OPERATE FREQUENCY OPS/MIN
GL**02K	SNAP - ACTION CONTACTS SINGLE POLE 		$\frac{1.3}{.3}$	N/A	$\frac{.5}{19.7}$	$\frac{11}{.43}$	100

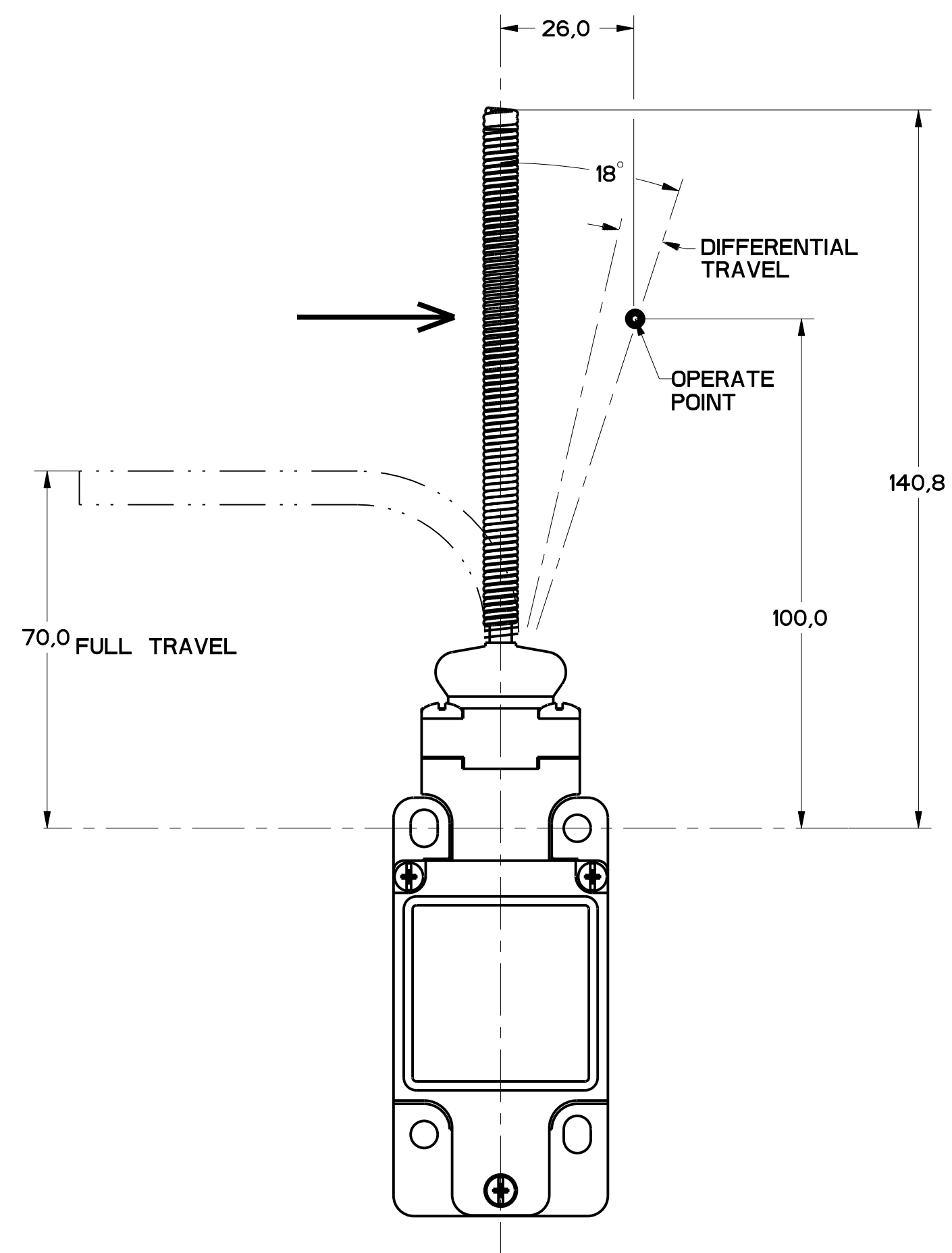


FIGURE 15

11	ISSUE	MDM
1	DESIGNING	MDM
2	CHECK	MDM
3	RELEASE	MDM
4	REVISED	MDM
5	REVISED	MDM
6	REVISED	MDM
7	REVISED	MDM
8	REVISED	MDM
9	REVISED	MDM
10	REVISED	MDM

THIS DRAWING COVERS A PROPRIETARY ITEM AND IS THE PROPERTY OF MICRO SWITCH, A DIVISION OF HONEYWELL. THIS DRAWING IS NOT TO BE COPIED OR USED WITHOUT THE APPROVAL OF MICRO SWITCH.		CATALOG LISTING	
MICRO SWITCH a Honeywell Division		SWITCH, ENCLOSED	
DESIGN UNITS <input checked="" type="checkbox"/> SI METRIC <input type="checkbox"/> US CUSTOMARY		GL SERIES CHART 2	
WEIGHT		TOLERANCES APPLY TO DESIGN UNITS. CONCESSIONS ARE ONLY FOR REFERENCE, UNLESS NOTED. TOLERANCES ARE:	
NO PLACES	±.04	NO PLACES	±.04
ONE PLACE	±.04	ONE PLACE	±.04
TWO PLACES	±.04	TWO PLACES	±.04
THREE PLACES	±.04	THREE PLACES	±.04
ANGLES	±.04	ANGLES	±.04





Компания «ЭлектроПласт» предлагает заключение долгосрочных отношений при поставках импортных электронных компонентов на взаимовыгодных условиях!

Наши преимущества:

- Оперативные поставки широкого спектра электронных компонентов отечественного и импортного производства напрямую от производителей и с крупнейших мировых складов;
- Поставка более 17-ти миллионов наименований электронных компонентов;
- Поставка сложных, дефицитных, либо снятых с производства позиций;
- Оперативные сроки поставки под заказ (от 5 рабочих дней);
- Экспресс доставка в любую точку России;
- Техническая поддержка проекта, помощь в подборе аналогов, поставка прототипов;
- Система менеджмента качества сертифицирована по Международному стандарту ISO 9001;
- Лицензия ФСБ на осуществление работ с использованием сведений, составляющих государственную тайну;
- Поставка специализированных компонентов (Xilinx, Altera, Analog Devices, Intersil, Interpoint, Microsemi, Aeroflex, Peregrine, Syfer, Eurofarad, Texas Instrument, Miteq, Cobham, E2V, MA-COM, Hittite, Mini-Circuits, General Dynamics и др.);

Помимо этого, одним из направлений компании «ЭлектроПласт» является направление «Источники питания». Мы предлагаем Вам помощь Конструкторского отдела:

- Подбор оптимального решения, техническое обоснование при выборе компонента;
- Подбор аналогов;
- Консультации по применению компонента;
- Поставка образцов и прототипов;
- Техническая поддержка проекта;
- Защита от снятия компонента с производства.



#### Как с нами связаться

**Телефон:** 8 (812) 309 58 32 (многоканальный)

**Факс:** 8 (812) 320-02-42

**Электронная почта:** [org@eplast1.ru](mailto:org@eplast1.ru)

**Адрес:** 198099, г. Санкт-Петербург, ул. Калинина, дом 2, корпус 4, литера А.