

SIDE ROTARY

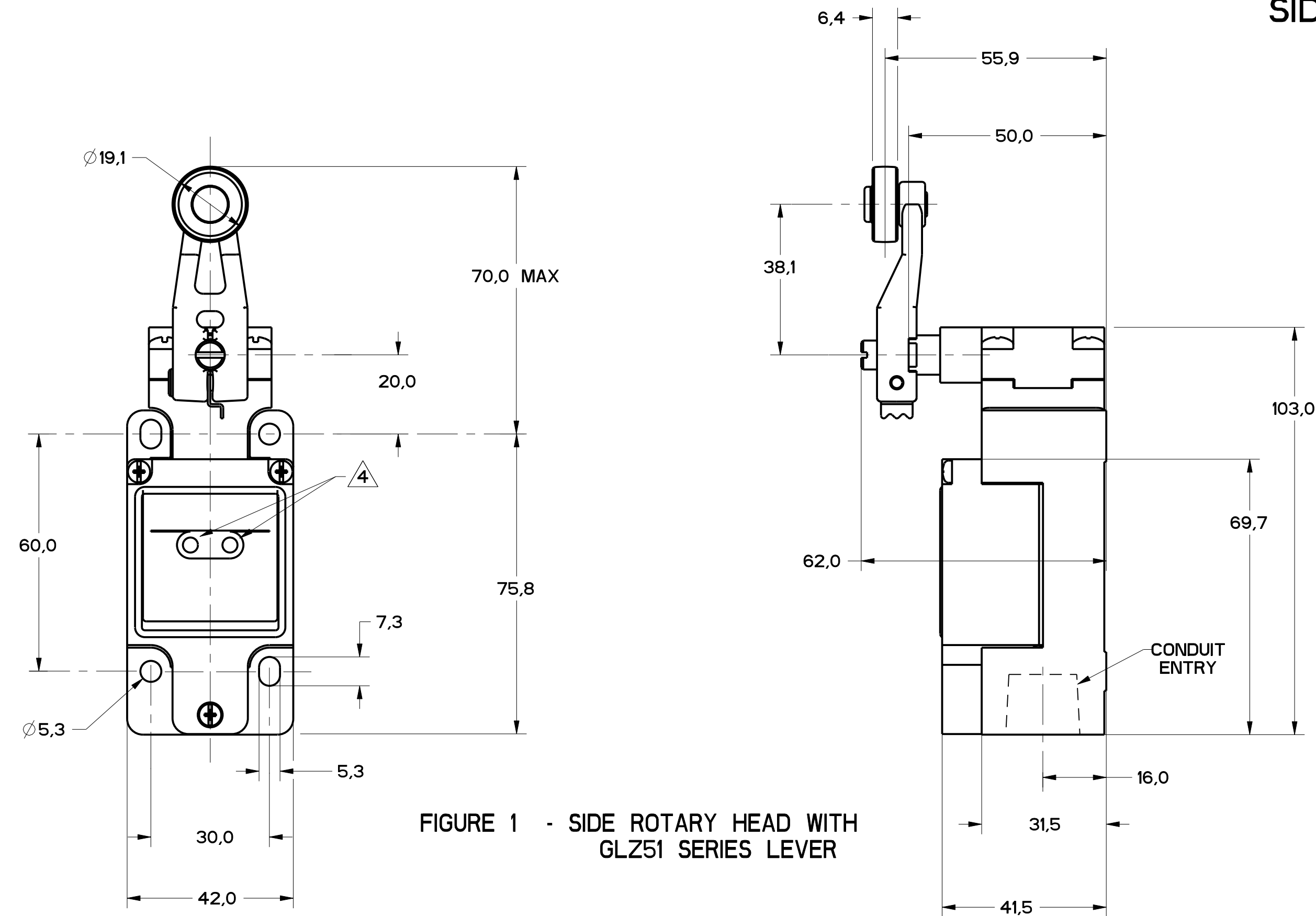


FIGURE 1 - SIDE ROTARY HEAD WITH GLZ51 SERIES LEVER

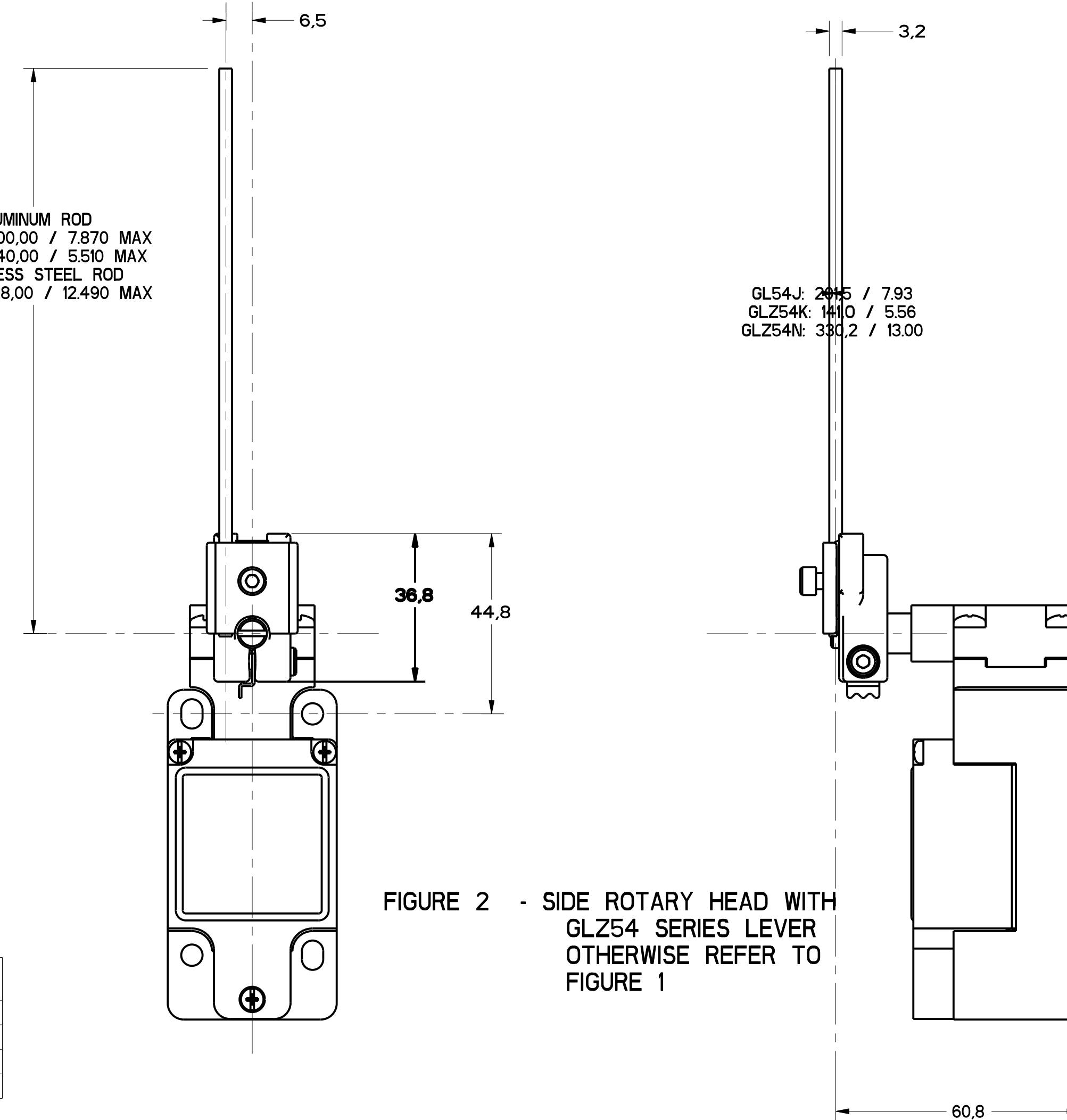


FIGURE 2 - SIDE ROTARY HEAD WITH GLZ54 SERIES LEVER OTHERWISE REFER TO FIGURE 1

FIGURE	CATALOG LISTING	CONDUIT ENTRY
1A	GL*A SERIES	1/2-14 NPT
1B	GL*B SERIES	PG13.5
1C	GL*C SERIES	20mm
1D	GL*D SERIES	PF1/2

ELECTRICAL RATING $\Delta 5$			
AC		DC	
A600 Ue	AC15 Ie	O300 Ue	DC13 Ie
(VOLTS)	(AMPS)	(VOLTS)	(AMPS)
120	6	24	2.8
240	3	125	.55
380	1.9	250	.27
480	1.5		
500	1.4		
600	1.2		

ENVIRONMENTAL RATING	
IP67	
NEMA/UL TYPES 1, 4, 12, 13	

- NOTES
- HEADS MAY BE INDEXED IN 90° INCREMENTS
 - LEVERS MAY BE KEYED TO THE SHAFT AT 90° INCREMENTS. THEY MAY ALSO BE ATTACHED, BUT NOT KEYED ANYWHERE ON THE SHAFT.
 - FOR ADDITIONAL LEVERS SEE "M" DRAWING CHART GLZ5
 - THE RIGHT INDICATOR IS YELLOW AND INDICATES "OUTPUT STATUS" IT IS ON GLG SERIES PRODUCTS ONLY.
 - THE MAXIMUM VOLTAGE, V_e OF GLG SERIES PRODUCTS IS THE MAXIMUM RATED VOLTAGE OF INDICATION LIGHTS
 - FREE POSITION, OPERATE POINT, OVERTRAVEL AND PRETRAVEL ALL TO EN50041
 - CAM TRAVEL FOR FIG 9 ONLY APPLIES WHEN LEVER IS ADJUSTED TO 38.1 / 1.50
 - TEMPERATURE RANGE (ALL PRODUCTS EXCEPT W/SIDE ROTARY OPERATING HEAD) OPERATING: -25°C TO +85°C / -13°F TO +185°F STORAGE: -40°C TO +85°C / -40°F TO +185°F (PRODUCTS W/SIDE ROTARY OPERATING HEAD) OPERATING: -40°C TO +85°C / -40°F TO +185°F STORAGE: -40°C TO +85°C / -40°F TO +185°F

CATALOG LISTING	BODY DIMENSIONS, FIGURE	HEAD DIMENSIONS, FIGURE	HEAD ACTUATION, FIGURE
GLB***	I	N/A	N/A
GLG***	I	N/A	N/A
GLJ***	I	N/A	N/A
GLA***	1A	N/A	N/A
GLB***	1B	N/A	N/A
GLC***	1C	N/A	N/A
GLD***	1D	N/A	N/A
GL***A1*	I	1	8
GL***A2*	I	3	9
GL***A4*	I	2	10
GL***A5*	I		8
GL***B	I	4	11
GL***C	I	5	13A, 13B
GL***D	I	6	14A, 14B
GL***E7A	I	7A	12
GL***E7B	I	7	12
GL***E7C	I	7E	12
GL***E7D	I	7B	12
GL***K8A	I	7C	15
GL***K8B	I	7D	15
GL***K8C	I	7	15

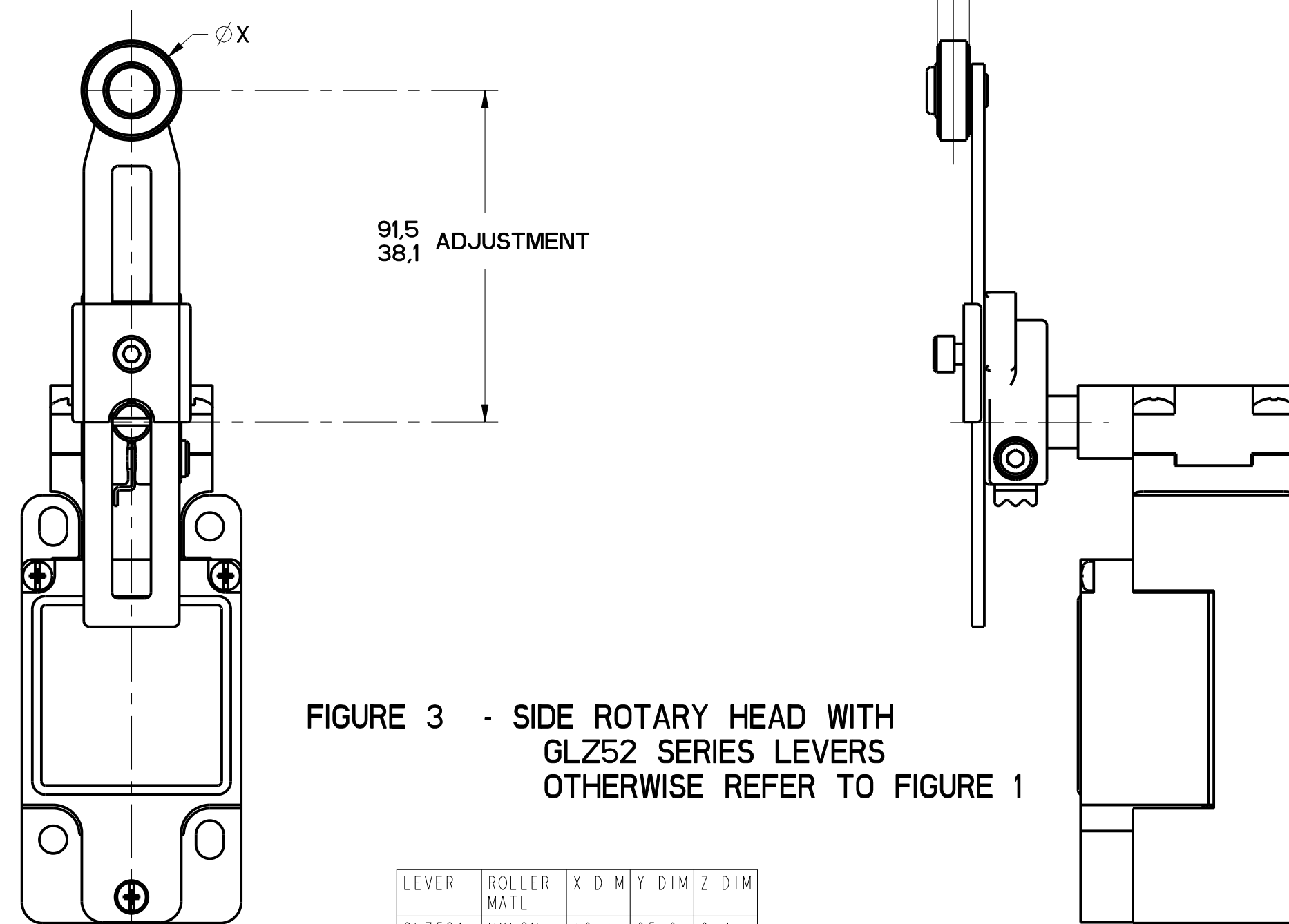


FIGURE 3 - SIDE ROTARY HEAD WITH GLZ52 SERIES LEVERS OTHERWISE REFER TO FIGURE 1

LEVER	ROLLER MATL	X DIM	Y DIM	Z DIM
GLZ52A	NYLON	19.1 .75	65.9 2.59	6.4 .25
GLZ52B	STEEL	19.1 .75	65.9 2.59	6.4 .25
GLZ52D	NYLON	38.1 1.5	65.9 2.59	6.4 .25
GLZ52E	NYLON	19.1 .75	79.37 3.125	33.07 1.300
GLZ52W	RUBBER	40.0 1.5	71.5 2.81	12.7 .5
GLZ52Y	RUBBER	50.9 2.0	71.5 2.81	12.7 .5

THIS DRAWING COVERS A PROPRIETARY ITEM AND IS THE PROPERTY OF MICRO SWITCH, A DIVISION OF HONEYWELL. THIS DRAWING IS NOT TO BE COPIED OR USED WITHOUT THE APPROVAL OF MICRO SWITCH.

FED. MFG. CODE 91929

MICRO SWITCH
a Honeywell Division

SWITCH, ENCLOSED

CATALOG LISTING
GL SERIES CHART 2

SI METRIC US CUSTOMARY

THIRD ANGLE PROJECTION

SCALE FULL

DO NOT SCALE PRINT

TOLERANCES

APPLY TO DESIGN UNITS. CONVERSIONS ARE ONLY FOR REFERENCE. UNLESS NOTED, TOLERANCES ARE:

NO. PLACES	SI	US	NO. PLACES	SI	US
TWO PLACES	0.01	0.0005	TWO PLACES	0.01	0.0005
THREE PLACES	0.001	0.0001	THREE PLACES	0.001	0.0001
ANGLES	±0.05	±0.0025	ANGLES	±0.05	±0.0025

DESIGN UNITS SI METRIC US CUSTOMARY

WEIGHT

MGL SERIES CHART 2
 DRAWING NUMBER 1 OF 8
 RELEASE NO. PR-20782
 CHECKED MDM
 DATE 11
 PTC/CAD
 S.A.V. 28MAR06
 P.T.C. CAD
 S.A.V. 28MAR06

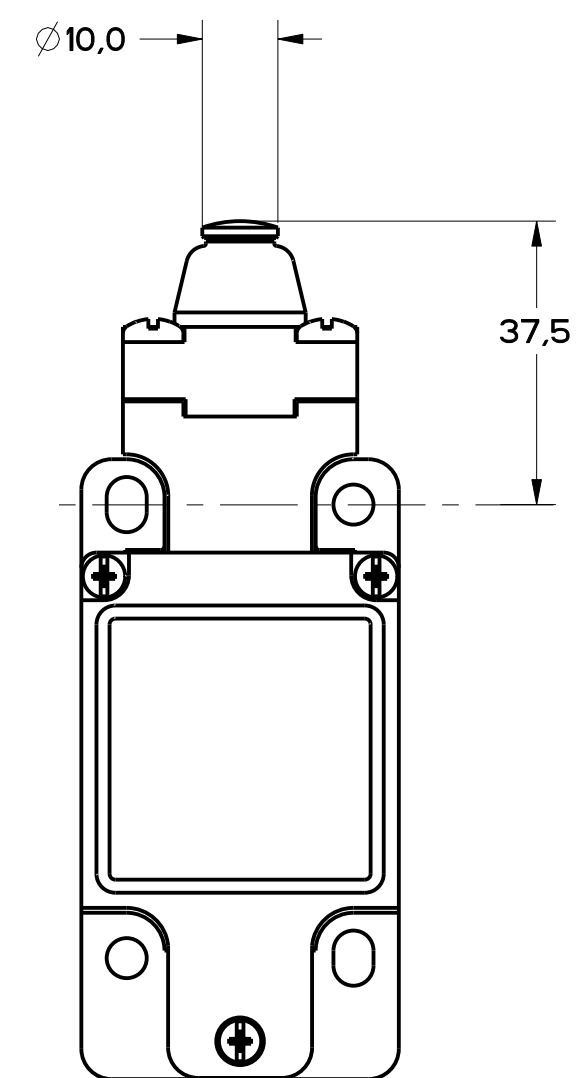


FIGURE 4 - TOP PIN PLUNGER HEAD
OTHERWISE REFER TO
FIGURE 1

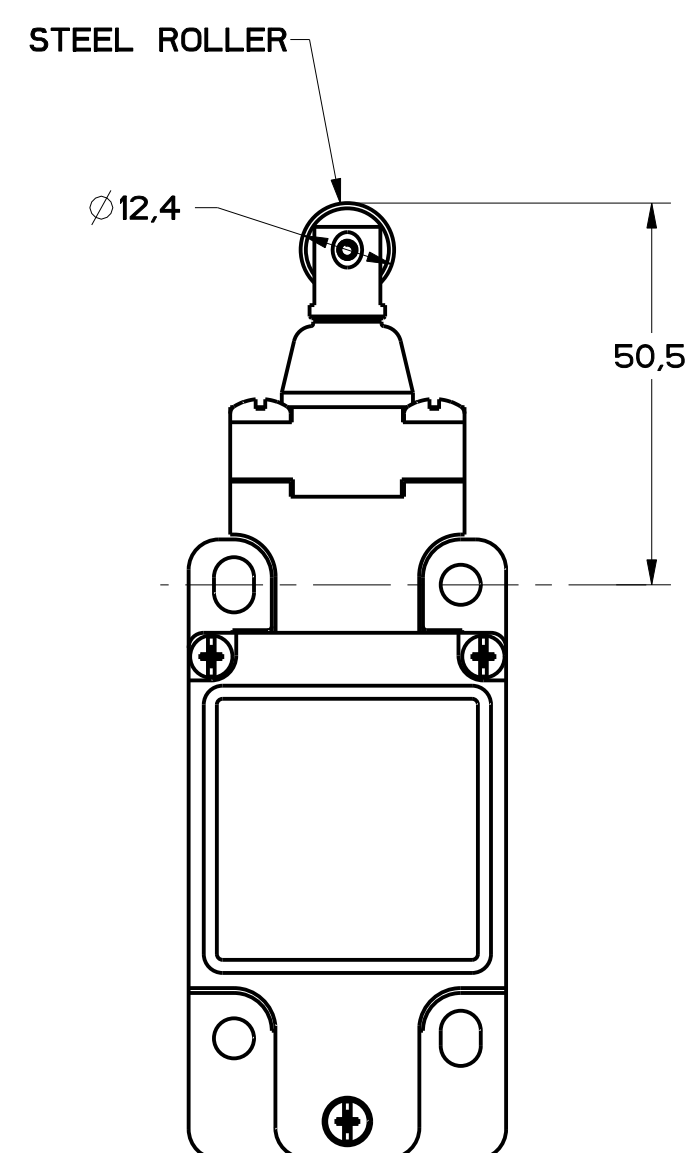
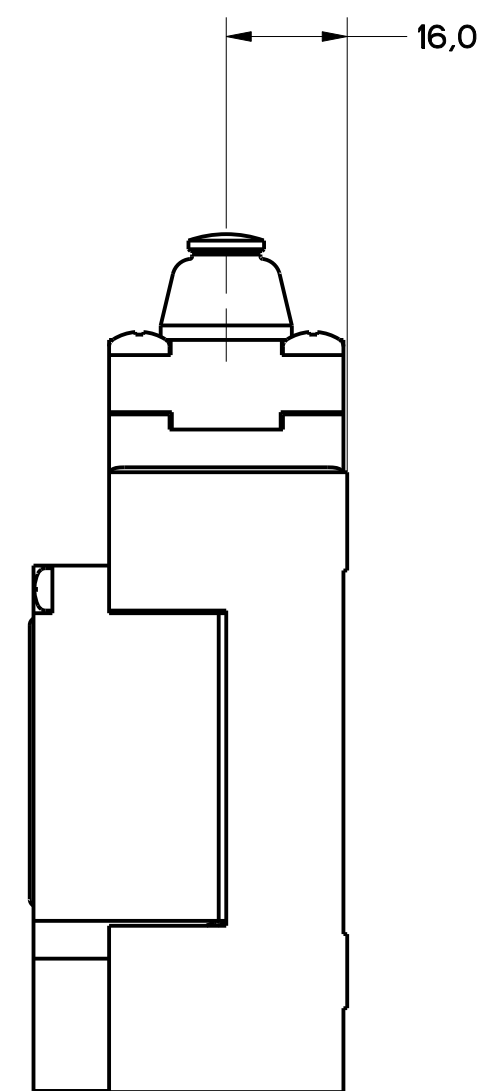


FIGURE 5 - TOP ROLLER PLUNGER HEAD
OTHERWISE REFER TO
FIGURE 1

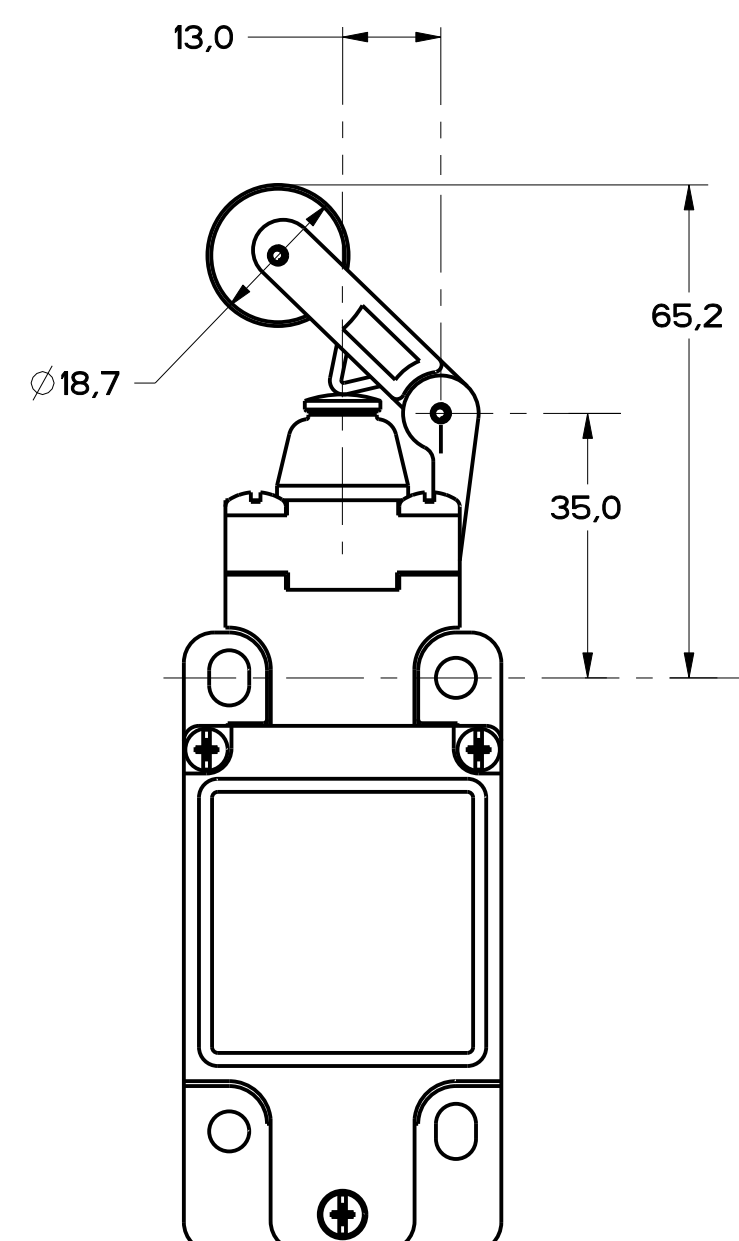
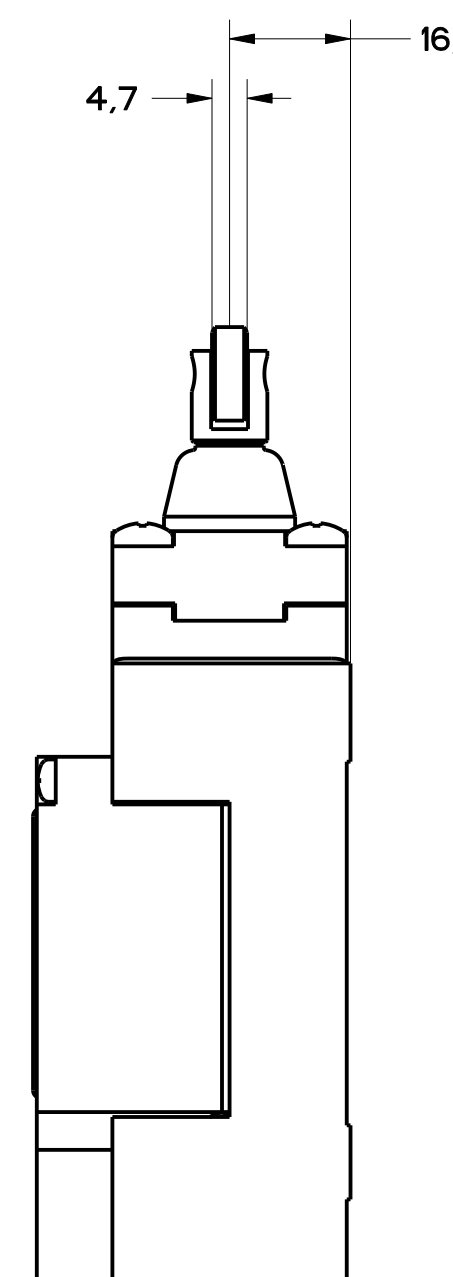
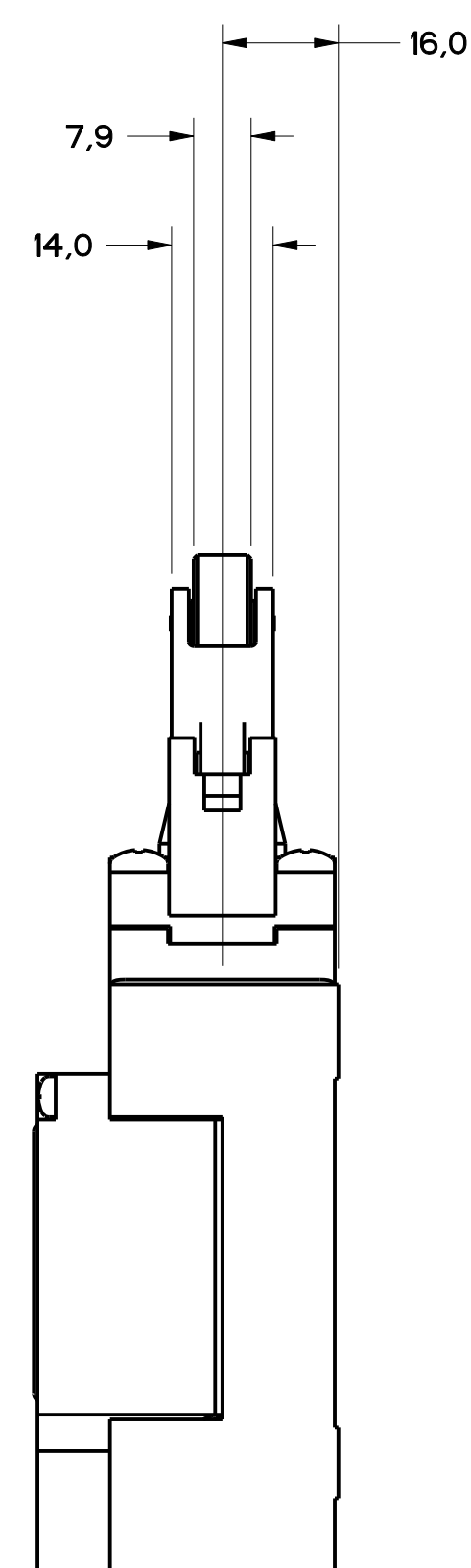


FIGURE 6 - TOP LEVER HEAD,
OTHERWISE REFER TO
FIGURE 1



MBL SERIES CHART 2
 DRAWING NUMBER: 11 OF 8
 RELEASE NO. PR-20782
 CHECK: MDM

REV.	DATE	BY	CHKD.
A	10-23-78	KR	MDM
B	11-21-78	MDM	MDM
C	02-29-79	MDM	MDM
D	01-15-82	MDM	MDM

P.T.C./CAD
 WLS

THIS DRAWING COVERS A PROPRIETARY ITEM AND IS THE PROPERTY OF MICRO SWITCH, A DIVISION OF HONEYWELL. THIS DRAWING IS NOT TO BE COPIED OR USED WITHOUT THE APPROVAL OF MICRO SWITCH. FED. MFG. CODE 91929		CATALOG LISTING	
MICRO SWITCH a Honeywell Division		SWITCH, ENCLOSED	
DESIGN UNITS: <input checked="" type="checkbox"/> SI METRIC <input type="checkbox"/> US CUSTOMARY		GL SERIES CHART 2	
TOLERANCES: APPLY TO DESIGN UNITS. CONVERSIONS ARE ONLY FOR REFERENCE, UNLESS NOTED. TOLERANCES ARE:			
NO PLACES	FRACTIONS	DECIMALS	ANGLES
ONE PLACE	1/16	0.01/0.05	1/2
TWO PLACES	1/32	0.001/0.05	1/4
THREE PLACES	1/64	0.0005/0.05	1/8

ANSI Y14.5M-1982 APPLIES

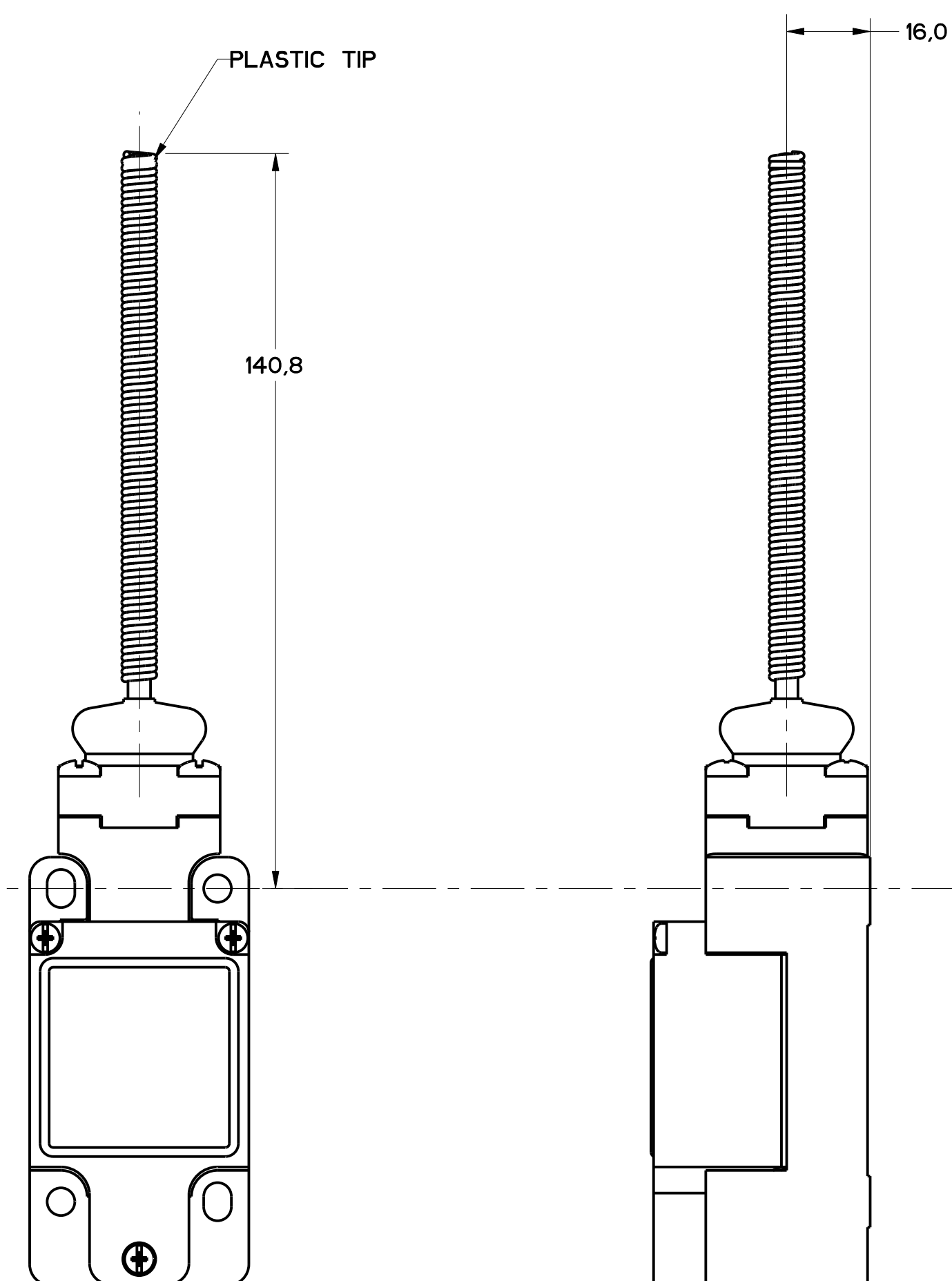


FIGURE 7 - WOBBLE HEAD, AND CAT WHISKER HEAD COIL ACTUATOR, OTHERWISE REFER TO FIGURE 1

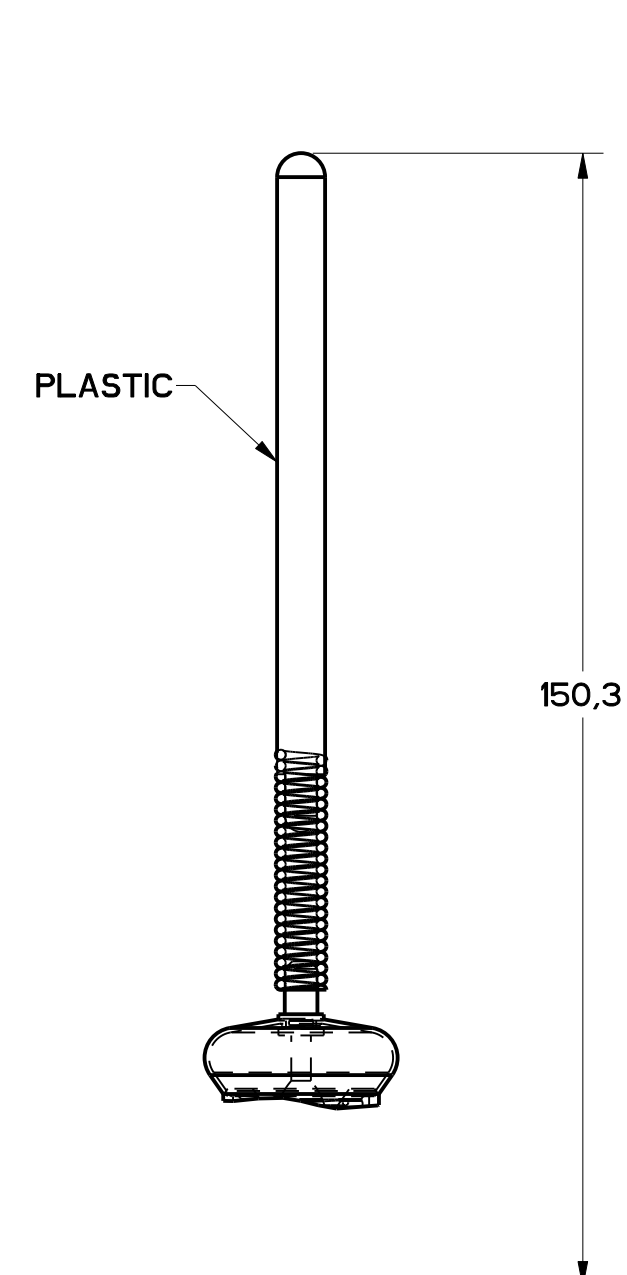


FIGURE 7A - WOBBLE HEAD, PLASTIC ACTUATOR, OTHERWISE SAME AS FIGURE 7

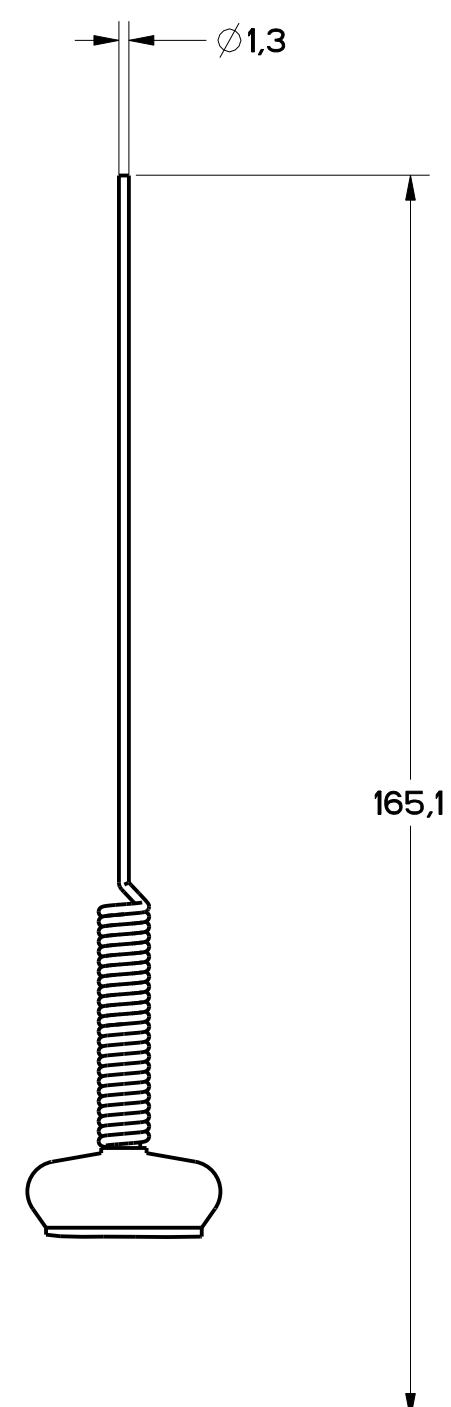


FIGURE 7B - WOBBLE HEAD STAINLESS STEEL SPRING ACTUATOR, OTHERWISE SAME AS FIGURE 7

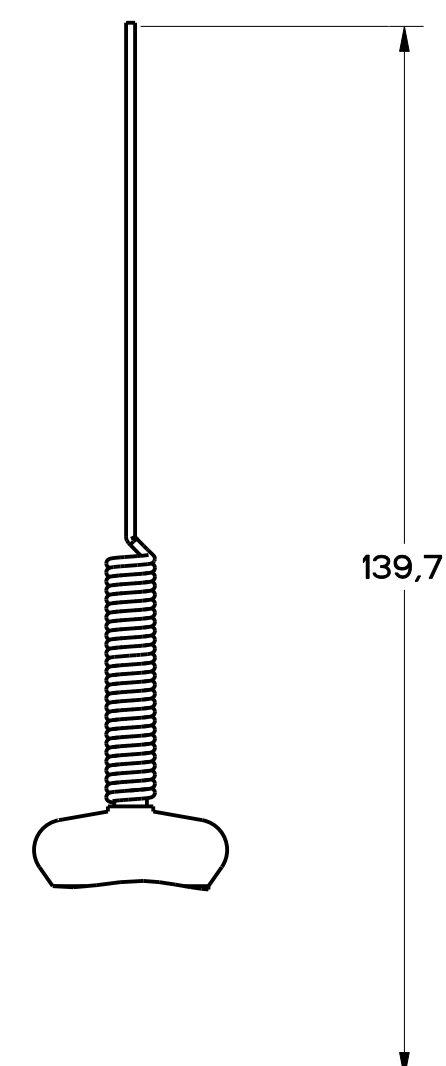


FIGURE 7C - CAT WHISKER ACTUATOR STAINLESS STEEL SPRING OTHERWISE SAME AS FIGURE 7

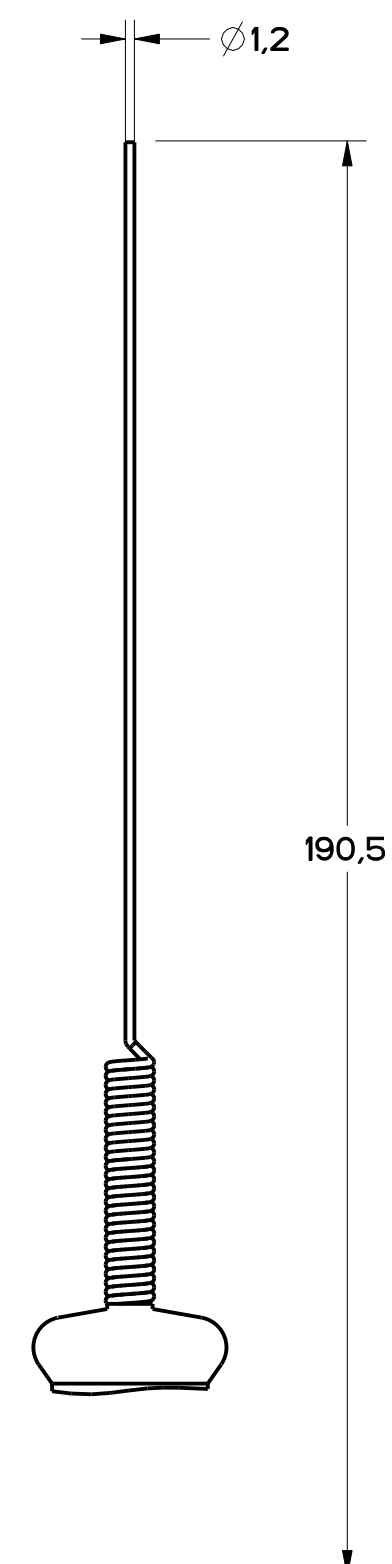


FIGURE 7D - CAT WHISKER ACTUATOR, STAINLESS STEEL SPRING, OTHERWISE SAME AS FIGURE 7

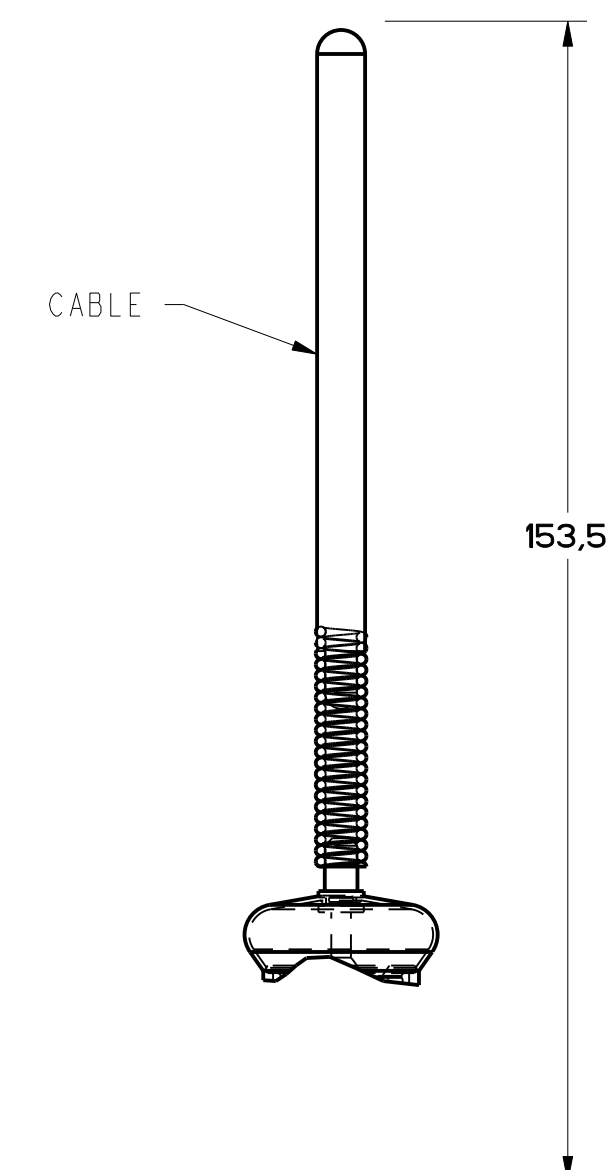


FIGURE 7E - CABLE WOBBLE ACTUATOR OTHERWISE SAME AS FIGURE 7

M GL SERIES CHART 2
DRAWING NUMBER 3 OF 8
RELEASE NO. PR-21597
REVISEMENTS
DATE BY
A 21.53
B MAY 96
C 9/2/88
D 8/20/88
E 8/20/88
F 8/20/88
G 8/20/88
H 8/20/88
I 8/20/88
J 8/20/88
K 8/20/88
L 8/20/88
M 8/20/88
N 8/20/88
O 8/20/88
P 8/20/88
Q 8/20/88
R 8/20/88
S 8/20/88
T 8/20/88
U 8/20/88
V 8/20/88
W 8/20/88
X 8/20/88
Y 8/20/88
Z 8/20/88

PTC/CAD
DRAWN
S. A. V. MAY 96
CHECKED
S. A. V. MAY 96
APPROVED
S. A. V. MAY 96

THIS DRAWING COVERS A PROPRIETARY ITEM AND IS THE PROPERTY OF MICRO SWITCH, A DIVISION OF HONEYWELL. THIS DRAWING IS NOT TO BE COPIED OR USED WITHOUT THE APPROVAL OF MICRO SWITCH.

FED. MFG. CODE 91929
MICRO SWITCH
a Honeywell Division

CATALOG LISTING
SWITCH, ENCLOSED
GL SERIES CHART 2

THIRD ANGLE PROJECTION	
SCALE	FULL
DO NOT SCALE PRINT	
TOLERANCES	
APPLY TO DESIGN UNITS. CONVERSIONS ARE ONLY FOR REFERENCE, UNLESS NOTED. TOLERANCES ARE:	
NO PLACES	±0.13
ONE PLACE	±0.25
TWO PLACES	±0.50
THREE PLACES	±0.75
ANGLES	±2°
DESIGN UNITS	SI METRIC <input checked="" type="checkbox"/> US CUSTOMARY <input type="checkbox"/>
WEIGHT	

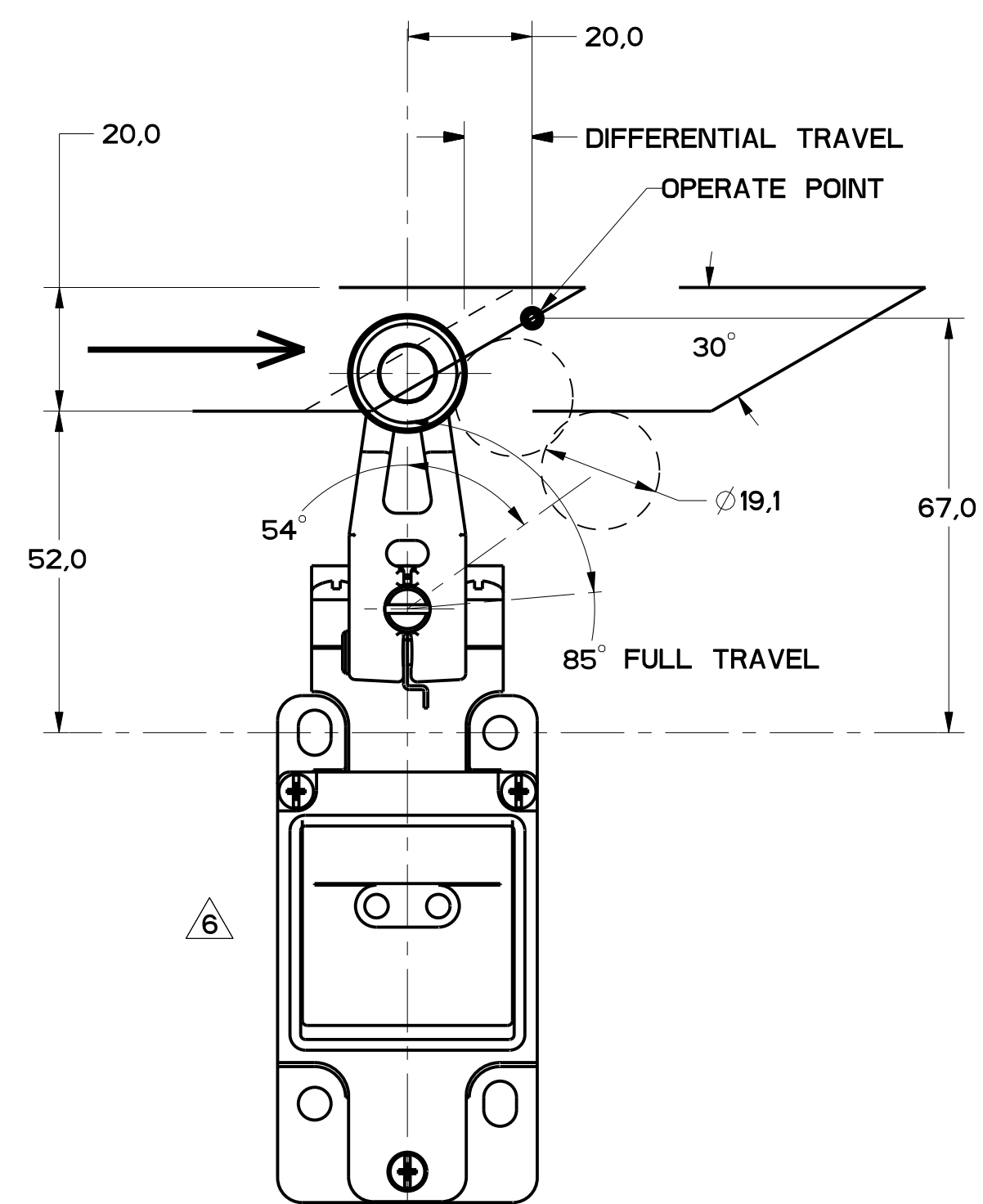


FIGURE 8

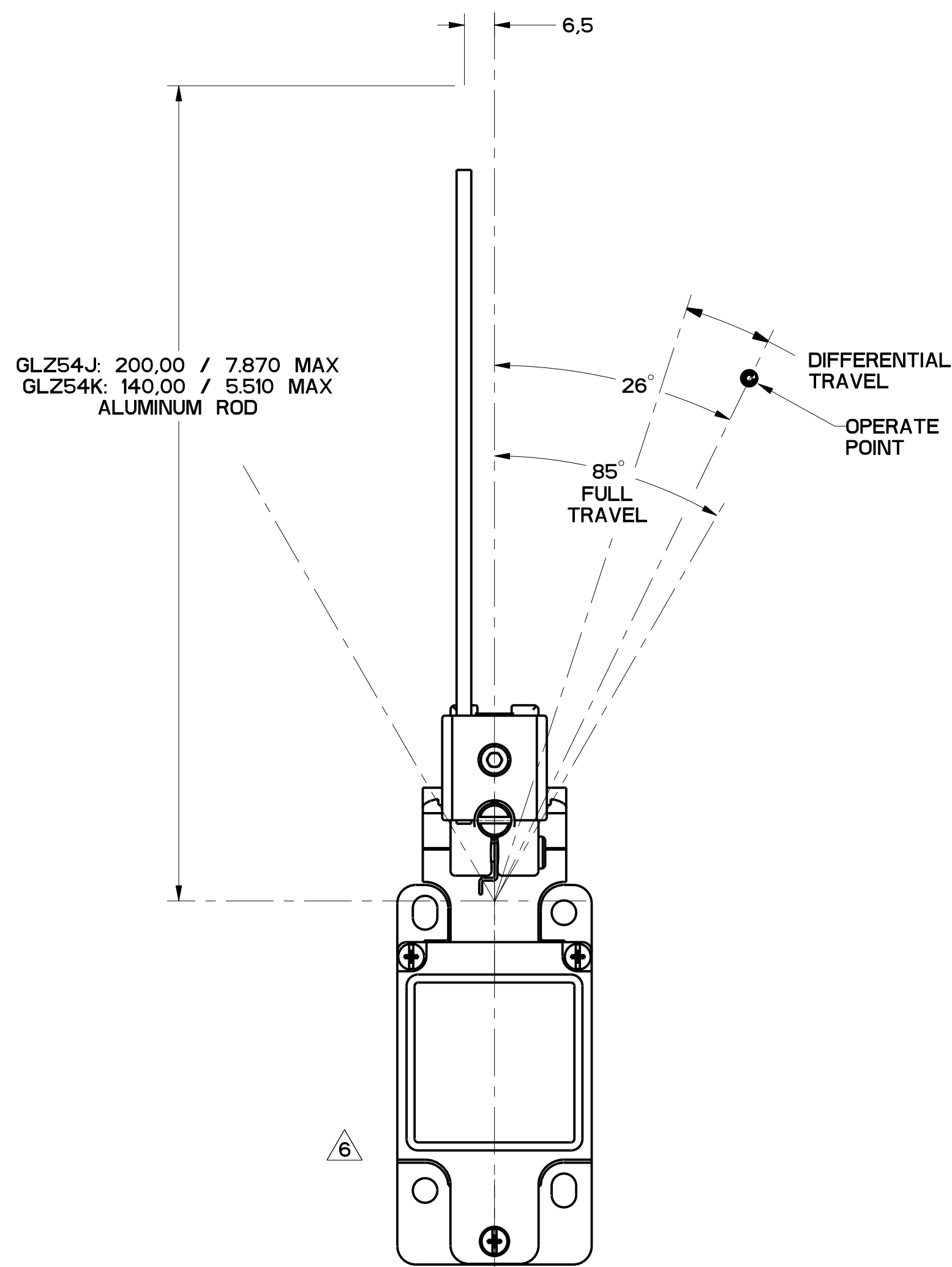


FIGURE 10

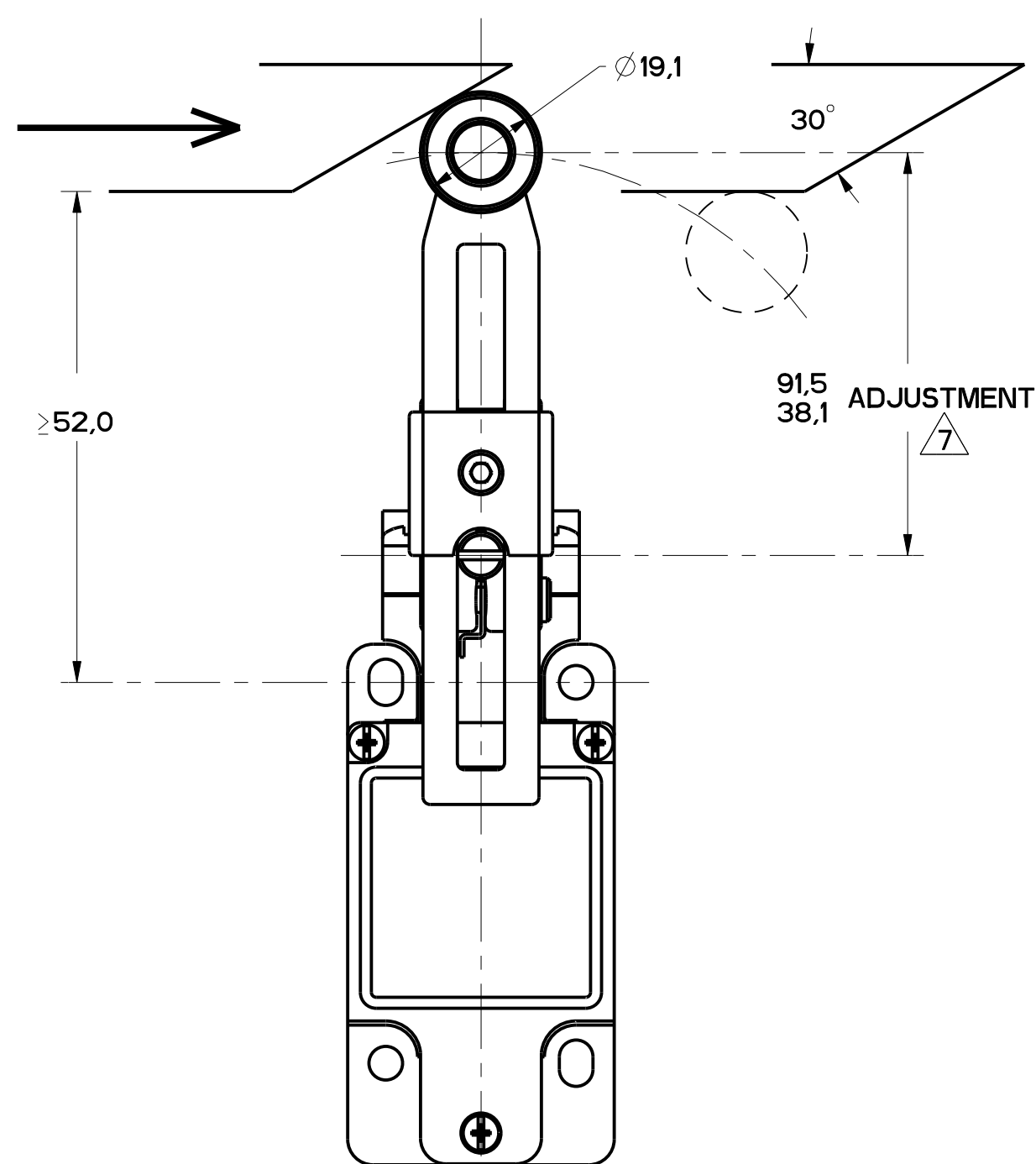


FIGURE 9

FIGURES 8, 9, 10 ANGULAR ACTUATION

CATALOG LISTING	CONTACT BLOCK DIAGRAM	NOMINAL TRAVELS AND RELATED TERMINALS CONTACT CLOSED, CONTACT OPEN, CONTACT CLOSED DIFFERENTIAL TRAVEL, ** POSITIVE OPENING TO IEC 947-5	MAXIMUM OPERATING TORQUE LB-IN	MAXIMUM DISCONNECT TORQUE LB-IN	MAX OPERATE DEGREE/S	MIN OPERATE DEGREE/S	MAX OPERATE FREQUENCY OPS/MIN
GL**02A*	SNAP - ACTION CONTACTS SINGLE POLE 	21-22 26° 55**° 85° 13-14 > < 12° DIFFERENTIAL TRAVEL	.330 2.9	.385 3.4	1290	13	250

CAM ACTUATION PER EN50041, FIGURES 8 AND 9

CATALOG LISTING	CONTACT BLOCK DIAGRAM	NOMINAL TRAVELS AND RELATED TERMINALS CONTACT CLOSED, CONTACT OPEN, CONTACT CLOSED DIFFERENTIAL TRAVEL, ** POSITIVE OPENING TO IEC 947-5 DIMENSIONS IN mm	MAXIMUM OPERATING FORCE LB	MAXIMUM DISCONNECT FORCE LB	MAX OPERATE VEL IN/S	MIN OPERATE VEL IN/S	MAX OPERATE FREQUENCY OPS/MIN
GL**02A*	SNAP - ACTION CONTACTS SINGLE POLE 	21-22 0 20 56** 13-14 > < 12 DIFFERENTIAL TRAVEL	9.7 2.2	11.4 2.6	.85 33.5	8.5 .33	250

MGL SERIES CHART 2

DRAWING NUMBER: 11

ISSUE: 11

DRAWN: P.T.C./CAD

THIS DRAWING COVERS A PROPRIETARY ITEM AND IS THE PROPERTY OF MICRO SWITCH, A DIVISION OF HONEYWELL. THIS DRAWING IS NOT TO BE COPIED OR USED WITHOUT THE APPROVAL OF MICRO SWITCH.

FED. MFG. CODE 91929

CATALOG LISTING: SWITCH, ENCLOSED GL SERIES CHART 2

NO PLACES	1/16	±.005	1/8	±.010	1/4	±.015
TWO PLACES	1/16	±.004	1/8	±.008	1/4	±.010
THREE PLACES	1/16	±.003	1/8	±.006	1/4	±.008

DESIGN UNITS: SI METRIC US CUSTOMARY

WEIGHT

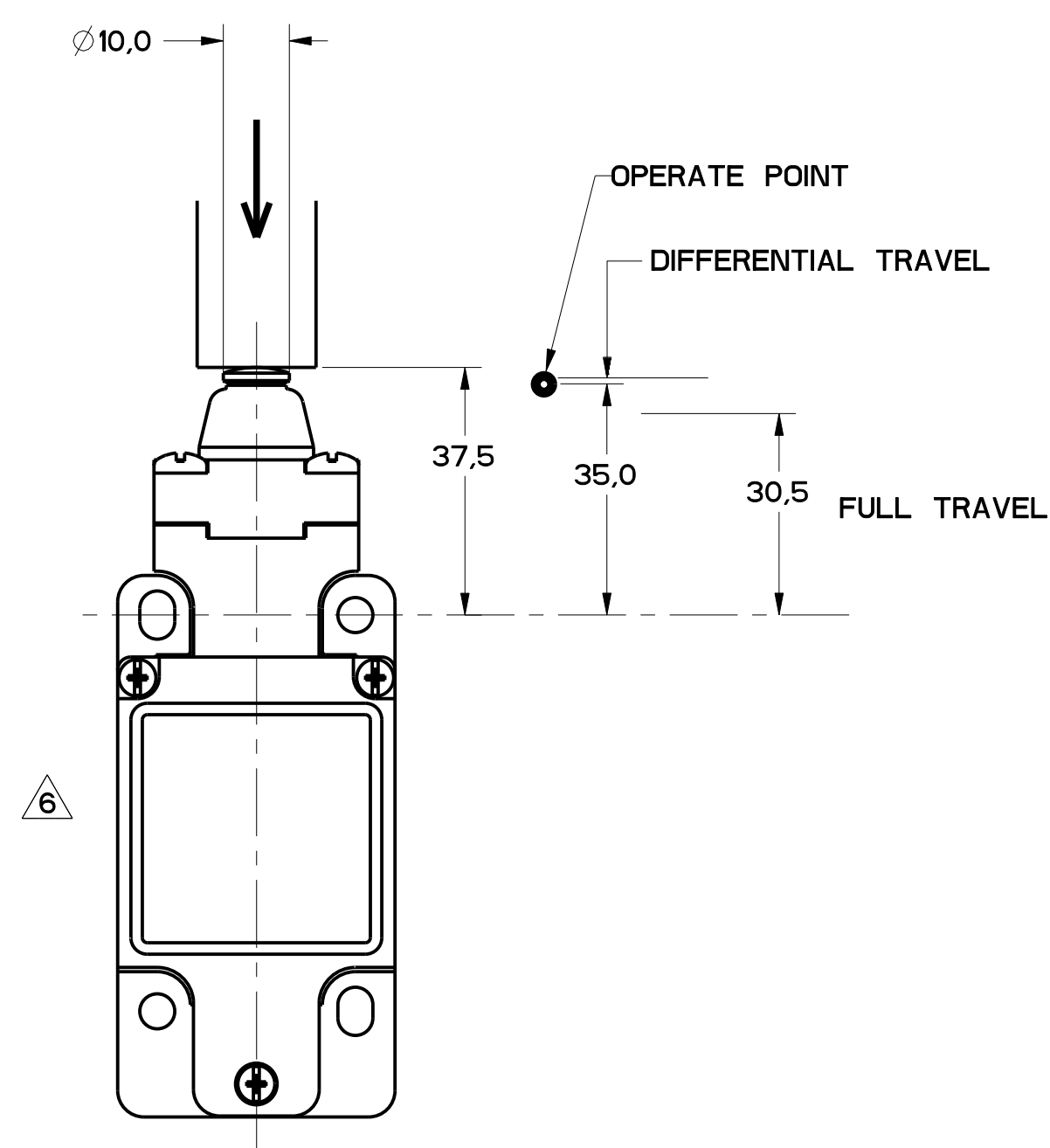


FIGURE 11

FIGURES 11, PIN PLUNGER HEAD, LINEAR ACTUATION							
CATALOG LISTING	CONTACT BLOCK DIAGRAM	NOMINAL TRAVELS AND RELATED TERMINALS ■ - CONTACT CLOSED, □ - CONTACT OPEN, ▨ - CONTACT CLOSED DIFFERENTIAL TRAVEL, ** POSITIVE OPENING TO IEC 947-5-1	MAXIMUM OPERATING FORCE $\frac{N}{LB}$	MAXIMUM DISCONNECT FORCE $\frac{N}{LB}$	MAX OPERATE VEL $\frac{m}{s}$ $\frac{in}{s}$	MIN OPERATE VEL $\frac{m}{s}$ $\frac{in}{s}$	MAX OPERATE FREQUENCY OPS/MIN
GL**02B	SNAP - ACTION CONTACTS SINGLE POLE 		$\frac{1.6}{3.6}$	$\frac{2.7}{6.0}$	$\frac{0.1}{3.9}$	$\frac{1.0}{.04}$	250

FIGURE 12, WOBBLE HEAD, ANGULAR ACTUATION

FIGURE 12, WOBBLE HEAD, ANGULAR ACTUATION							
CATALOG LISTING	CONTACT BLOCK DIAGRAM	NOMINAL TRAVELS AND RELATED TERMINALS ■ - CONTACT CLOSED, □ - CONTACT OPEN, ▨ - CONTACT CLOSED DIFFERENTIAL TRAVEL, ** POSITIVE OPENING TO IEC 947-5-1	MAXIMUM OPERATING TORQUE $\frac{N\cdot m}{LB\cdot in}$	MAXIMUM DISCONNECT TORQUE $\frac{N\cdot m}{LB\cdot in}$	MAX OPERATE DEGREE/S	MIN OPERATE VELOCITY DEGREE/S	MAX OPERATE RATE CYCLES/MIN
GL**02E	SNAP - ACTION CONTACTS SINGLE POLE 		$\frac{0.2}{1.8}$	N/A	360	8	100

FIGURE 12, WOBBLE HEAD, SIDE ACTUATION AT 100mm

FIGURE 12, WOBBLE HEAD, SIDE ACTUATION AT 100mm							
CATALOG LISTING	CONTACT BLOCK DIAGRAM	NOMINAL TRAVELS AND RELATED TERMINALS ■ - CONTACT CLOSED, □ - CONTACT OPEN, ▨ - CONTACT CLOSED DIFFERENTIAL TRAVEL, ** POSITIVE OPENING TO IEC 947-5-1	MAXIMUM OPERATING FORCE $\frac{N}{LB}$	MAXIMUM DISCONNECT FORCE $\frac{N}{LB}$	MAX OPERATE VEL $\frac{m}{s}$ $\frac{in}{s}$	MIN OPERATE VEL $\frac{m}{s}$ $\frac{in}{s}$	MAX OPERATE FREQUENCY OPS/MIN
GL**02E	SNAP - ACTION CONTACTS SINGLE POLE 		$\frac{2.5}{0.6}$	N/A	$\frac{.5}{19.7}$	$\frac{.1}{.43}$	100

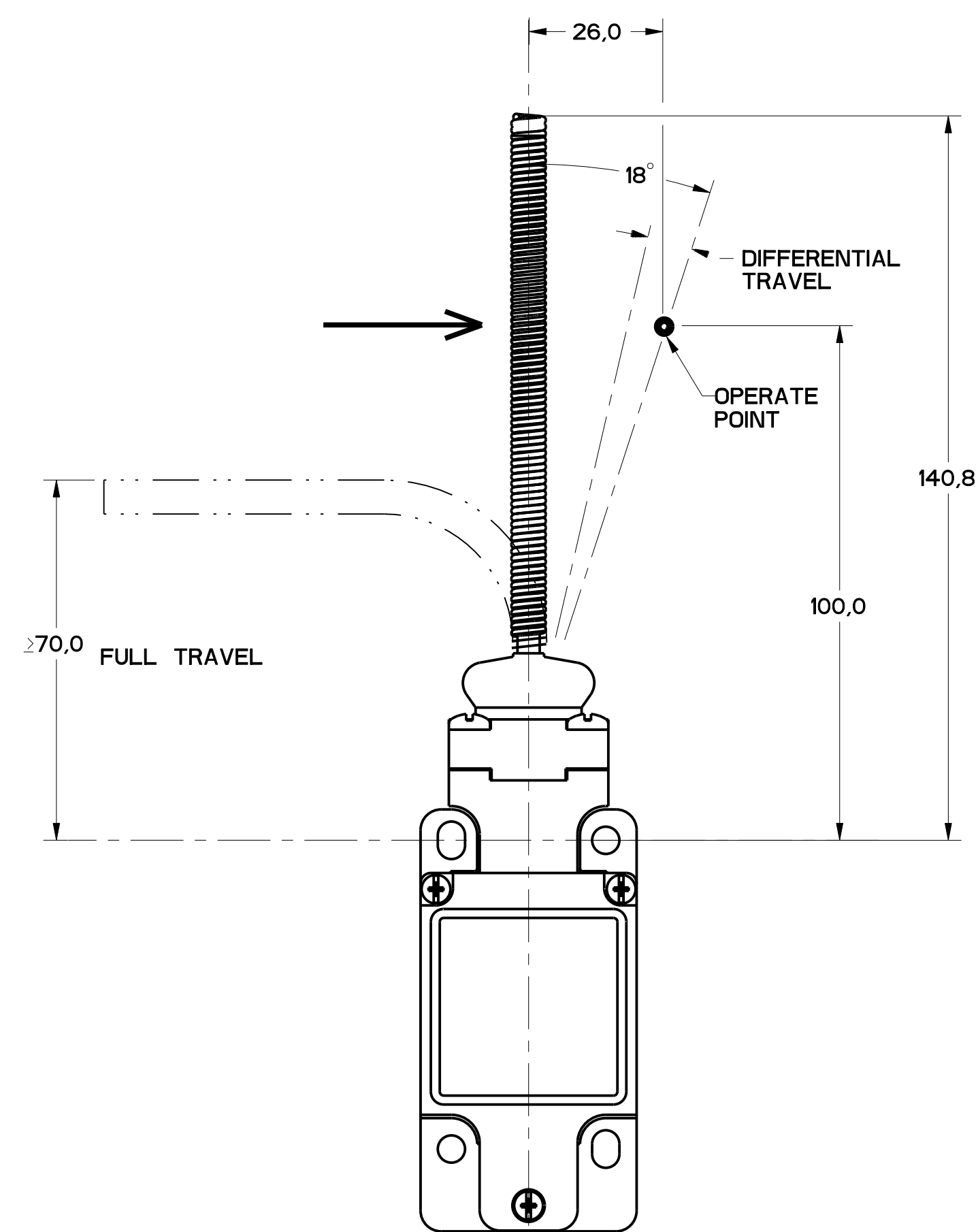


FIGURE 12

THIS DRAWING COVERS A PROPRIETARY ITEM AND IS THE PROPERTY OF MICRO SWITCH, A DIVISION OF HONEYWELL. THIS DRAWING IS NOT TO BE COPIED OR USED WITHOUT THE APPROVAL OF MICRO SWITCH.

FED. MFG. CODE 91929

CATALOG LISTING

MICRO SWITCH
a Honeywell Division

SWITCH, ENCLOSED

GL SERIES CHART 2

THIRD ANGLE PROJECTION

SCALE FULL

DO NOT SCALE PRINT

TOLERANCES

APPLY TO DESIGN UNITS. CONVERSIONS ARE ONLY FOR REFERENCE, UNLESS NOTED. TOLERANCES ARE:

NO PLACES	±.04	±.0015	±.0005	±.0002
ONE PLACE	±.04	±.0015	±.0005	±.0002
TWO PLACES	±.04	±.0015	±.0005	±.0002
THREE PLACES	±.04	±.0015	±.0005	±.0002

DESIGN UNITS SI METRIC US CUSTOMARY

WEIGHT

FIGURE 13A, ROLLER PLUNGER HEAD, PIN ACTUATION

CATALOG LISTING	CONTACT BLOCK DIAGRAM	NOMINAL TRAVELS AND RELATED TERMINALS CONTACT CLOSED, CONTACT OPEN, CONTACT CLOSED DIFFERENTIAL TRAVEL, ** POSITIVE OPENING TO IEC 947-5	MAXIMUM OPERATING FORCE LB	MAXIMUM DISCONNECT FORCE LB	MAX OPERATE VEL in/S	MIN OPERATE VEL in/S	MAX OPERATE FREQUENCY OPS/MIN
GL**02C	SNAP - ACTION CONTACTS SINGLE POLE 	 0.9 DIFFERENTIAL TRAVEL	$\frac{16}{3.6}$	$\frac{27}{6.0}$	$\frac{0.1}{3.9}$	$\frac{1.0}{.04}$	250

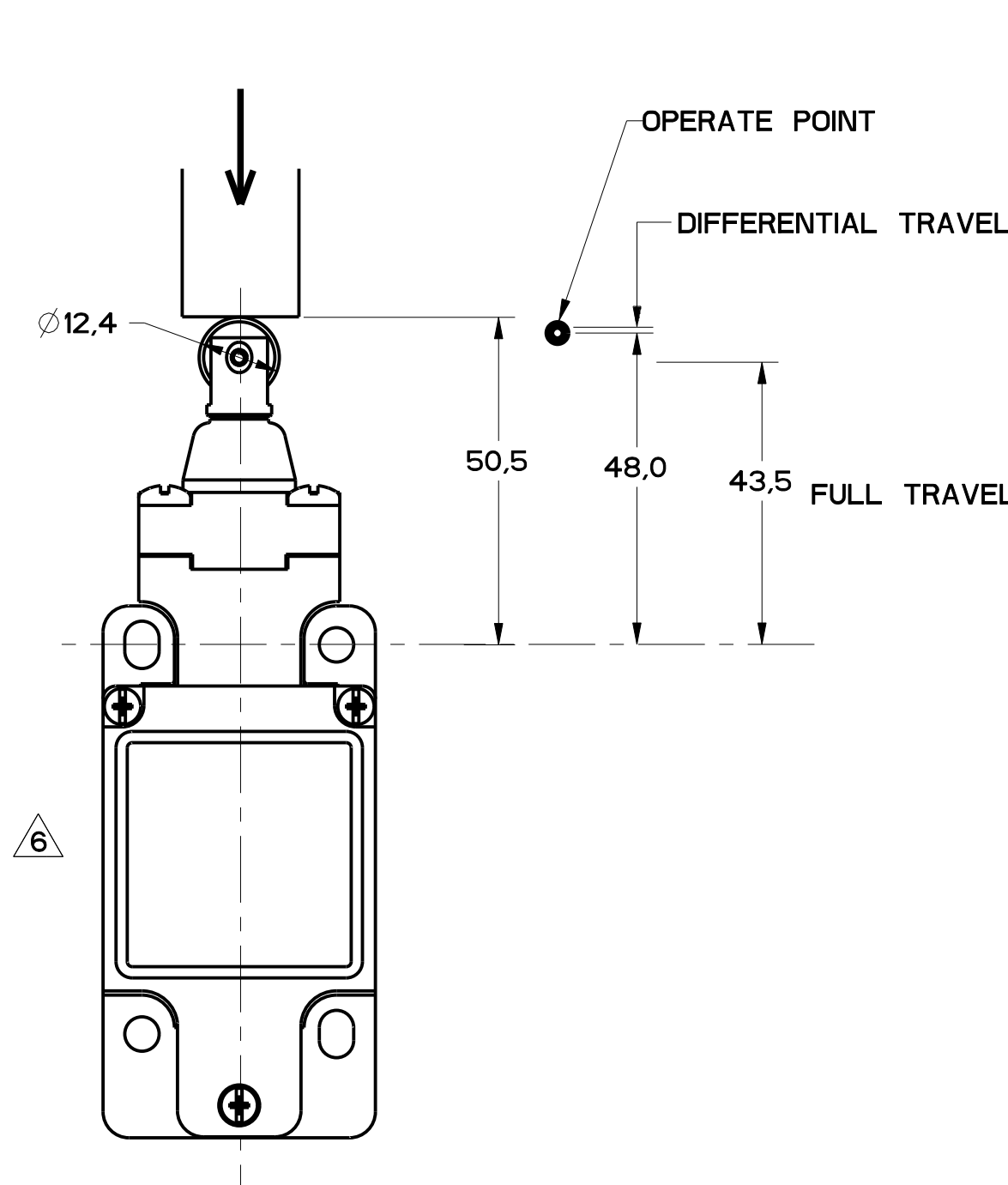


FIGURE 13A

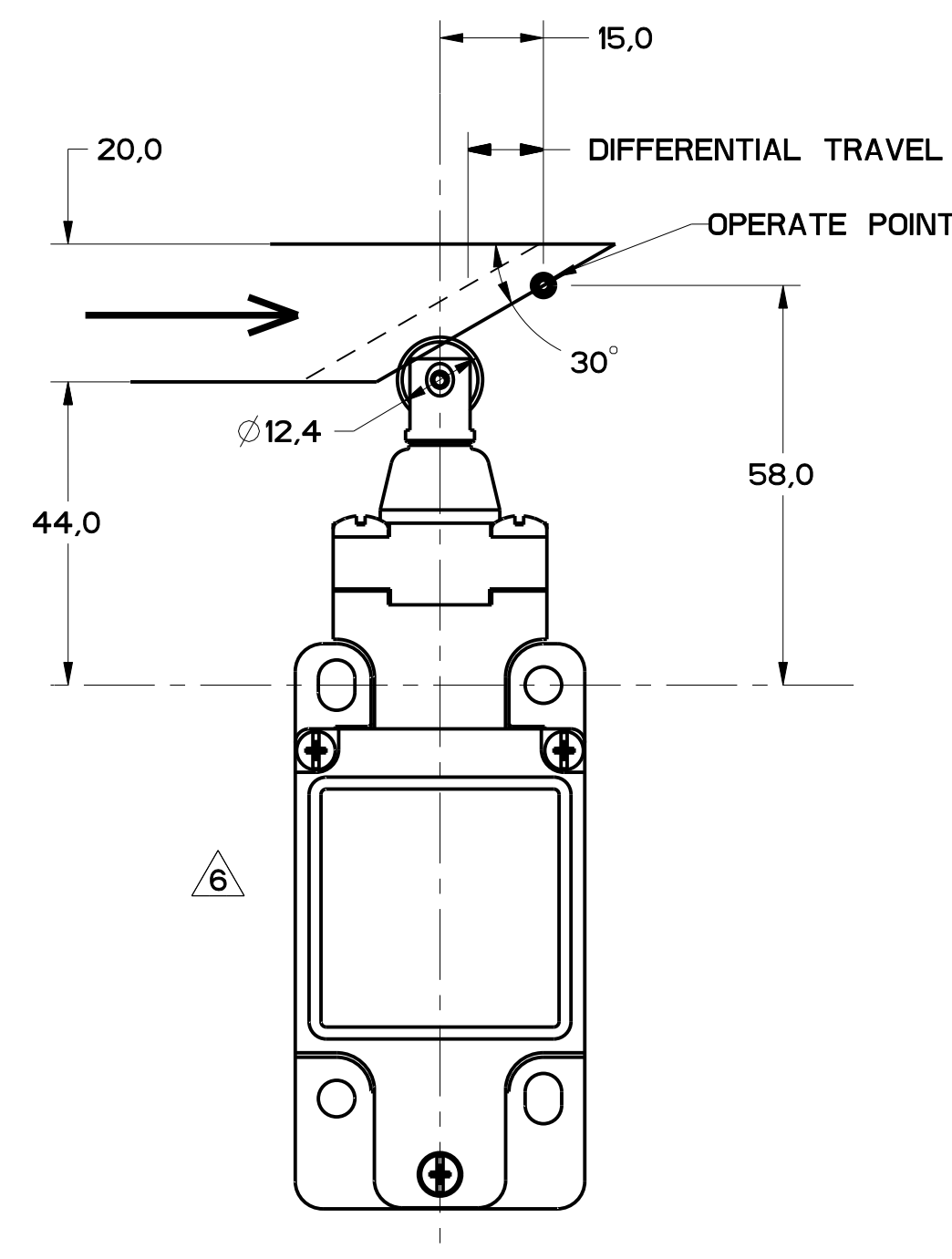


FIGURE 13B

FIGURE 13B, TOP ROLLER PLUNGER HEAD, CAM ACTUATION PER EN50041

CATALOG LISTING	CONTACT BLOCK DIAGRAM	NOMINAL TRAVELS AND RELATED TERMINALS CONTACT CLOSED, CONTACT OPEN, CONTACT CLOSED DIFFERENTIAL TRAVEL, ** POSITIVE OPENING TO IEC 947-5	MAXIMUM OPERATING FORCE LB	MAXIMUM DISCONNECT FORCE LB	MAX OPERATE VEL in/S	MIN OPERATE VEL in/S	MAX OPERATE FREQUENCY OPS/MIN
GL**02C	SNAP - ACTION CONTACTS SINGLE POLE 	 1.8 DIFFERENTIAL TRAVEL	$\frac{9.3}{2.1}$	$\frac{15.6}{3.5}$	$\frac{0.17}{6.7}$	$\frac{1.7}{.067}$	250

MBL SERIES CHART 2
 DRAWING NUMBER: 6 OF 8
 RELEASE NO. PR-20782
 REVISIONS: 11
 CHECKED: MAM
 DATE: 5-JAN-94

PTC/CAD
 WLS/LODEC3
 MAM
 5-JAN-94
 CHECKED: MAM
 DATE: 5-JAN-94
 APPROVED: MAM
 DATE: 5-JAN-94
 REVISIONS: 11
 CHECKED: MAM
 DATE: 5-JAN-94
 APPROVED: MAM
 DATE: 5-JAN-94

THIS DRAWING COVERS A PROPRIETARY ITEM AND IS THE PROPERTY OF MICRO SWITCH, A DIVISION OF HONEYWELL. THIS DRAWING IS NOT TO BE COPIED OR USED WITHOUT THE APPROVAL OF MICRO SWITCH. FED. MFG. CODE 91929		CATALOG LISTING SWITCH, ENCLOSED GL SERIES CHART 2	
MICRO SWITCH a Honeywell Division	SI METRIC DESIGN UNITS: <input checked="" type="checkbox"/> SI METRIC <input type="checkbox"/> US CUSTOMARY	TOLERANCES APPLY TO DESIGN UNITS. CONCESSIONS ARE ONLY FOR REFERENCE, UNLESS NOTED. TOLERANCES ARE:	DIM TOL. DIM TOL. NO PLACES X .12 .12 X .12 .12 ONE PLACE X .12 .12 X .12 .12 TWO PLACES X .12 .12 X .12 .12 THREE PLACES X .12 .12 X .12 .12 ANGLES ± .2 ± .2

FIGURE 14A, TOP ROLLER LEVER HEAD WITH PIN ACTUATION

CATALOG LISTING	CONTACT BLOCK DIAGRAM	NOMINAL TRAVELS AND RELATED TERMINALS CONTACT CLOSED, CONTACT OPEN, CONTACT CLOSED DIFFERENTIAL TRAVEL, ** POSITIVE OPENING TO IEC 947-5	MAXIMUM OPERATING FORCE LB	MAXIMUM DISCONNECT FORCE LB	MAX OPERATE VEL in/S	MIN OPERATE VEL in/S	MAX OPERATE FREQUENCY OPS/MIN
GL**02D	SNAP - ACTION CONTACTS SINGLE POLE 	 1.7 DIFFERENTIAL TRAVEL	9.5 2.1	12 2.7	0.17 6.7	1.7 .067	250

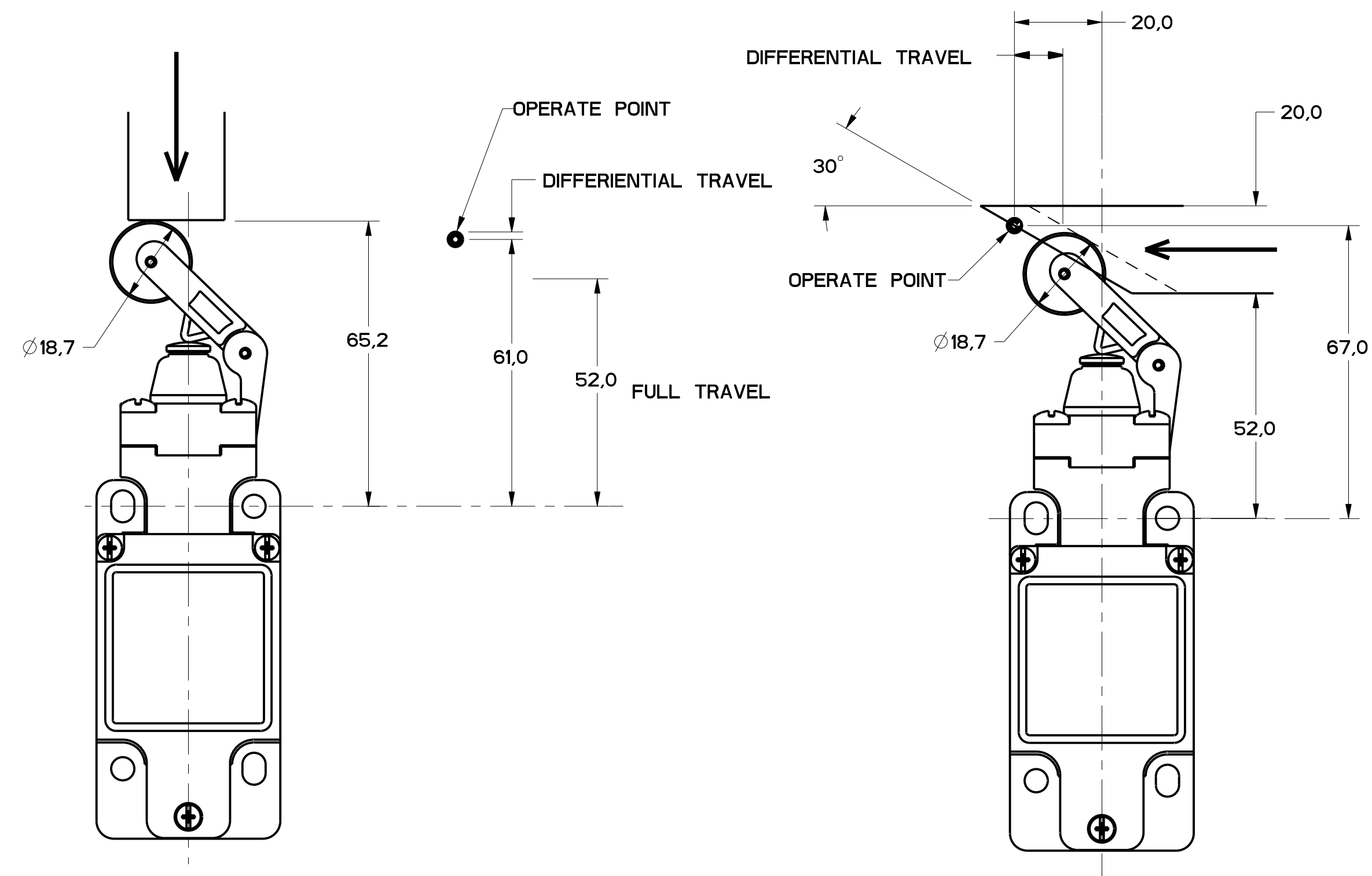


FIGURE 14A

FIGURE 14B

FIGURE 14B, TOP ROLLER LEVER HEAD WITH CAM ACTUATION

CATALOG LISTING	CONTACT BLOCK DIAGRAM	NOMINAL TRAVELS AND RELATED TERMINALS CONTACT CLOSED, CONTACT OPEN, CONTACT CLOSED DIFFERENTIAL TRAVEL, ** POSITIVE OPENING TO IEC 947-5	MAXIMUM OPERATING FORCE LB	MAXIMUM DISCONNECT FORCE LB	MAX OPERATE VEL in/S	MIN OPERATE VEL in/S	MAX OPERATE FREQUENCY OPS/MIN
GL**02D	SNAP - ACTION CONTACTS SINGLE POLE 	 4.1 DIFFERENTIAL TRAVEL	5.5 1.2	7.0 1.6	0.29 11.4	2.9 .11	250

11	MDM
12	MDM
13	MDM
14	MDM
15	MDM
16	MDM
17	MDM
18	MDM
19	MDM
20	MDM
21	MDM
22	MDM
23	MDM
24	MDM
25	MDM
26	MDM
27	MDM
28	MDM
29	MDM
30	MDM
31	MDM
32	MDM
33	MDM
34	MDM
35	MDM
36	MDM
37	MDM
38	MDM
39	MDM
40	MDM
41	MDM
42	MDM
43	MDM
44	MDM
45	MDM
46	MDM
47	MDM
48	MDM
49	MDM
50	MDM
51	MDM
52	MDM
53	MDM
54	MDM
55	MDM
56	MDM
57	MDM
58	MDM
59	MDM
60	MDM
61	MDM
62	MDM
63	MDM
64	MDM
65	MDM
66	MDM
67	MDM
68	MDM
69	MDM
70	MDM
71	MDM
72	MDM
73	MDM
74	MDM
75	MDM
76	MDM
77	MDM
78	MDM
79	MDM
80	MDM
81	MDM
82	MDM
83	MDM
84	MDM
85	MDM
86	MDM
87	MDM
88	MDM
89	MDM
90	MDM
91	MDM
92	MDM
93	MDM
94	MDM
95	MDM
96	MDM
97	MDM
98	MDM
99	MDM
100	MDM

THIS DRAWING COVERS A PROPRIETARY ITEM AND IS THE PROPERTY OF MICRO SWITCH, A DIVISION OF HONEYWELL. THIS DRAWING IS NOT TO BE COPIED OR USED WITHOUT THE APPROVAL OF MICRO SWITCH.

FED. MFG. CODE 91929

MICRO SWITCH
a Honeywell Division

SWITCH, ENCLOSED

CATALOG LISTING
GL SERIES CHART 2

NO PLACES	1/4	TOL.	1/4	TOL.
ONE PLACE	X.14	0.0014	X.14	0.0014
TWO PLACES	X.14	0.0014	X.14	0.0014
THREE PLACES	X.14	0.0014	X.14	0.0014

DESIGN UNITS: SI METRIC US CUSTOMARY

WEIGHT

FIGURE 15, CAT WISKER HEAD, ANGULAR ACTUATION

CATALOG LISTING	CONTACT BLOCK DIAGRAM	NOMINAL TRAVELS AND RELATED TERMINALS CONTACT CLOSED, CONTACT OPEN, DIFFERENTIAL TRAVEL	MAXIMUM OPERATING TORQUE m LB-IN	MAXIMUM DISCONNECT TORQUE m LB-IN	MAX OPERATE DEGREE/S	MIN OPERATE VELOCITY DEGREE/S	MAX OPERATE RATE CYCLES/MIN
GL**02K	SNAP - ACTION CONTACTS SINGLE POLE 		$\frac{0.1}{.9}$	N/A	360	8	100

FIGURE 15, CAT WISKER HEAD, SIDE ACTUATION AT 100mm

CATALOG LISTING	CONTACT BLOCK DIAGRAM	NOMINAL TRAVELS AND RELATED TERMINALS CONTACT CLOSED, CONTACT OPEN, DIFFERENTIAL TRAVEL	MAXIMUM OPERATING FORCE LB	MAXIMUM DISCONNECT FORCE LB	MAX OPERATE VEL IN/S	MIN OPERATE VEL IN/S	MAX OPERATE FREQUENCY OPS/MIN
GL**02K	SNAP - ACTION CONTACTS SINGLE POLE 		$\frac{1.3}{.3}$	N/A	$\frac{.5}{19.7}$	$\frac{11}{.43}$	100

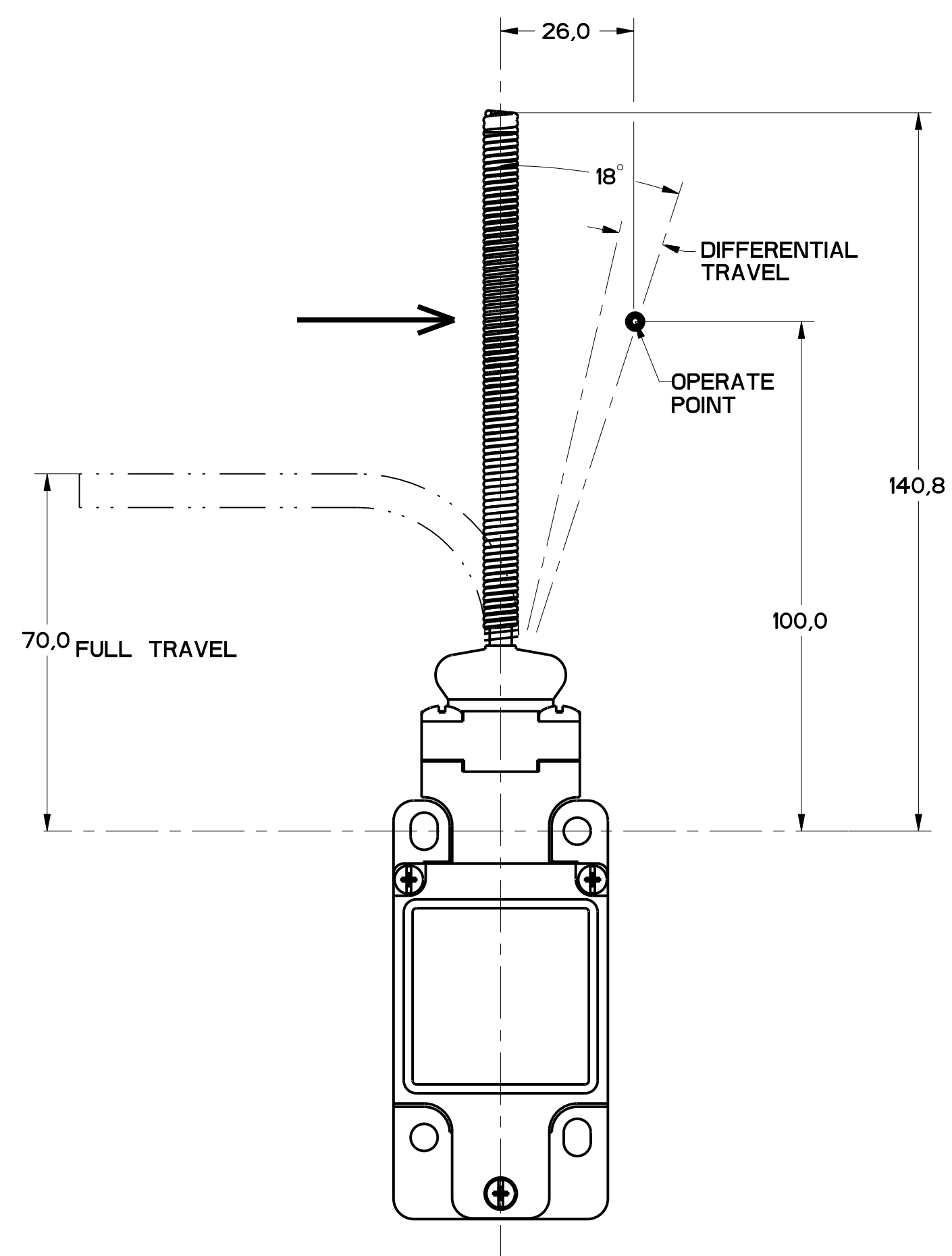


FIGURE 15

11	ISSUE	MDM	CHECK
1	DESIGNING	MDM	CHECK
2	DRAWING NUMBER	MDM	CHECK
3	DATE	MDM	CHECK
4	BY	MDM	CHECK
5	DATE	MDM	CHECK
6	BY	MDM	CHECK
7	DATE	MDM	CHECK
8	BY	MDM	CHECK
9	DATE	MDM	CHECK
10	BY	MDM	CHECK
11	DATE	MDM	CHECK
12	BY	MDM	CHECK
13	DATE	MDM	CHECK
14	BY	MDM	CHECK
15	DATE	MDM	CHECK
16	BY	MDM	CHECK
17	DATE	MDM	CHECK
18	BY	MDM	CHECK
19	DATE	MDM	CHECK
20	BY	MDM	CHECK

THIS DRAWING COVERS A PROPRIETARY ITEM AND IS THE PROPERTY OF MICRO SWITCH, A DIVISION OF HONEYWELL. THIS DRAWING IS NOT TO BE COPIED OR USED WITHOUT THE APPROVAL OF MICRO SWITCH.

FED. MFG. CODE 91929

MICRO SWITCH
a Honeywell Division

SWITCH, ENCLOSED

CATALOG LISTING
GL SERIES CHART 2

NO PLACES	±.04	±.04	±.04	±.04
TWO PLACES	±.04	±.04	±.04	±.04
THREE PLACES	±.04	±.04	±.04	±.04
ANGLES	±.04	±.04	±.04	±.04

DESIGN UNITS: SI METRIC US CUSTOMARY

WEIGHT



Компания «ЭлектроПласт» предлагает заключение долгосрочных отношений при поставках импортных электронных компонентов на взаимовыгодных условиях!

Наши преимущества:

- Оперативные поставки широкого спектра электронных компонентов отечественного и импортного производства напрямую от производителей и с крупнейших мировых складов;
- Поставка более 17-ти миллионов наименований электронных компонентов;
- Поставка сложных, дефицитных, либо снятых с производства позиций;
- Оперативные сроки поставки под заказ (от 5 рабочих дней);
- Экспресс доставка в любую точку России;
- Техническая поддержка проекта, помощь в подборе аналогов, поставка прототипов;
- Система менеджмента качества сертифицирована по Международному стандарту ISO 9001;
- Лицензия ФСБ на осуществление работ с использованием сведений, составляющих государственную тайну;
- Поставка специализированных компонентов (Xilinx, Altera, Analog Devices, Intersil, Interpoint, Microsemi, Aeroflex, Peregrine, Syfer, Eurofarad, Texas Instrument, Miteq, Cobham, E2V, MA-COM, Hittite, Mini-Circuits, General Dynamics и др.);

Помимо этого, одним из направлений компании «ЭлектроПласт» является направление «Источники питания». Мы предлагаем Вам помощь Конструкторского отдела:

- Подбор оптимального решения, техническое обоснование при выборе компонента;
- Подбор аналогов;
- Консультации по применению компонента;
- Поставка образцов и прототипов;
- Техническая поддержка проекта;
- Защита от снятия компонента с производства.



Как с нами связаться

Телефон: 8 (812) 309 58 32 (многоканальный)

Факс: 8 (812) 320-02-42

Электронная почта: org@eplast1.ru

Адрес: 198099, г. Санкт-Петербург, ул. Калинина, дом 2, корпус 4, литера А.