



Product Brief

800 V CoolSET™

AC-DC integrated power stage

Quasi resonant CoolSET™

The quasi resonant CoolSET™ series continues to deliver design agility and miniaturization. Upon the successful F3 CoolSET™, it offers the possibility of higher efficiency and better EMI performance. The digital frequency reduction feature scores a very stable operation with decreasing load change.

Fixed frequency CoolSET™

Infineon's AC-DC integrated power stage 800 V CoolSET™ fixed frequency offers lowest standby power consumption < 300 mW at no load condition and lowest on-resistance for record efficiency levels. 650 V or 800 V avalanche rugged CoolMOS™ Power MOSFET is integrated optionally.

Quasi-resonant CoolSET™ 800 V

$P_{out}^{1)}$ 85 V _{AC} ... 265 V _{AC}	18 W	24 W	37 W	47 W
$R_{DS(on)}$	4.7 Ω	2.2 Ω	1.0 Ω	0.6 Ω
Package	800 V depletion CoolMOS™			
DIP-7	ICE2QR4780Z	ICE2QR2280Z ICE2QR2280Z-1		ICE2QR0680Z
DSO-12	ICE2QR4780G	ICE2QR2280G ICE2QR2280G-1	ICE2QR1080G	ICE2QR0680Z

¹⁾ Output power assume 78-83% efficiency. $T_a = 50^\circ\text{C}$, $T_j = 125^\circ\text{C}$ and no copper area for 650 V device and 232 mm² copper area for 800 V device.

Fixed frequency PWM IC and CoolSET™ 800 V

$P_{out}^{2)}$ 85 V _{AC} ... 265 V _{AC}	11 W	16 W	22 W	30 W	37 W	43 W
$R_{DS(on)}$	10.0 Ω	4.7 Ω	2.2 Ω	1.5 Ω	1.0 Ω	0.6 Ω
Package	800 V depletion CoolMOS™					
DIP-7	ICE3AR10080JZ ICE3AR10080CJZ	ICE3AR4780JZ ICE3AR4780VJZ ICE3AR4780CJZ	ICE3AR2280JZ ICE3AR2280JZ-T ICE3AR2280CJZ ICE3AR2280VJZ ICE3BR2280JZ	ICE3AR1580VJZ	ICE3AR1080VJZ	ICE3AR0680JZ ICE3AR0680VJZ ICE3BR0680JZ
DSO-12		ICE3AR4780JG	ICE3AR2280JG		ICE3AR1080JG	

²⁾ Output power assume 76-83% efficiency. $T_a = 50^\circ\text{C}$, $T_j = 125^\circ\text{C}$ and no copper area

Product highlights

800 V quasi-resonant CoolSET™

- > Digital frequency reduction with decreasing load
- > Cycle-by-cycle current limitation with fold-back correction
- > Built-in digital soft-start
- > Active burst mode for lowest standby power < 50 mW
- > Latch-off mode for short-winding and output voltage
- > Enhanced integrated protection functions

800 V fixed frequency CoolSET™

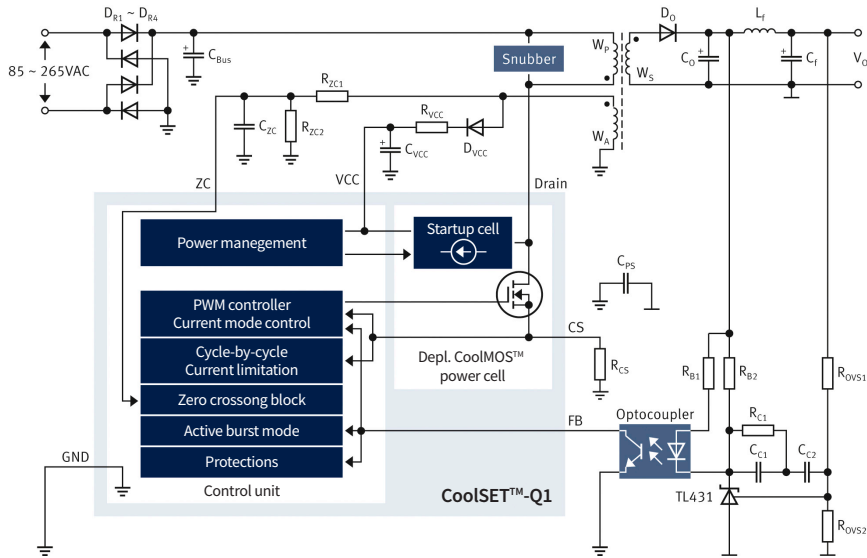
- > 800 V avalanche rugged CoolMOS™ with startup cell
- > Active burst mode to reach the lowest standby power < 100 mW
- > Selectable enter and exit burst mode level
- > Adjustable blanking window for high load jumps
- > Frequency jitter and soft driving for low EMI



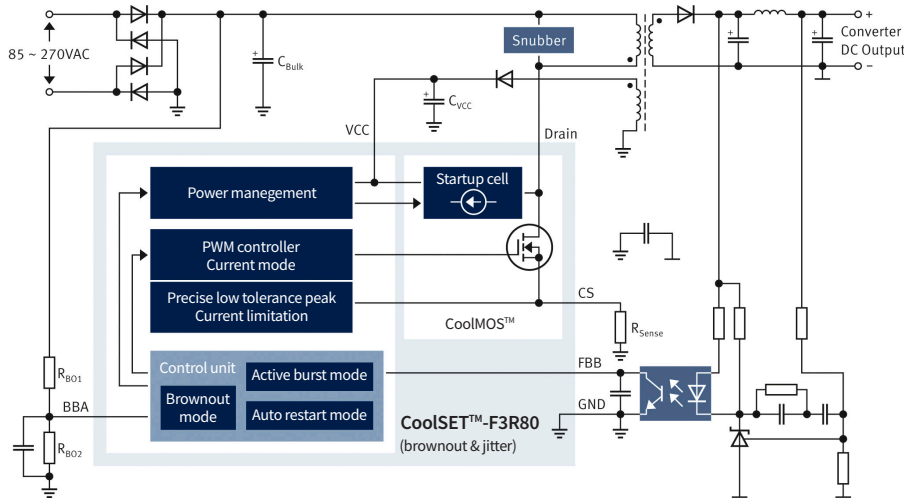
800 V CoolSET™

AC-DC integrated power stage

Application diagram – 800 V quasi-resonant CoolSET™



Application diagram – 800 V fixed frequency CoolSET™



Published by
Infineon Technologies AG
85579 Neubiberg, Germany

© 2016 Infineon Technologies AG.
All Rights Reserved.

Visit us:
www.infineon.com

Order Number: B121-H9546-V1-7600-EU-EC-P
Date: 05/2016

Please note!

THIS DOCUMENT IS FOR INFORMATION PURPOSES ONLY AND ANY INFORMATION GIVEN HEREIN SHALL IN NO EVENT BE REGARDED AS A WARRANTY, GUARANTEE OR DESCRIPTION OF ANY FUNCTIONALITY, CONDITIONS AND/OR QUALITY OF OUR PRODUCTS OR ANY SUITABILITY FOR A PARTICULAR PURPOSE. WITH REGARD TO THE TECHNICAL SPECIFICATIONS OF OUR PRODUCTS, WE KINDLY ASK YOU TO REFER TO THE RELEVANT PRODUCT DATA SHEETS PROVIDED BY US. OUR CUSTOMERS AND THEIR TECHNICAL DEPARTMENTS ARE REQUIRED TO EVALUATE THE SUITABILITY OF OUR PRODUCTS FOR THE INTENDED APPLICATION.

WE RESERVE THE RIGHT TO CHANGE THIS DOCUMENT AND/OR THE INFORMATION GIVEN HEREIN AT ANY TIME.

Additional information

For further information on technologies, our products, the application of our products, delivery terms and conditions and/or prices, please contact your nearest Infineon Technologies office (www.infineon.com).

Warnings

Due to technical requirements, our products may contain dangerous substances. For information on the types in question, please contact your nearest Infineon Technologies office.

Except as otherwise explicitly approved by us in a written document signed by authorized representatives of Infineon Technologies, our products may not be used in any life-endangering applications, including but not limited to medical, nuclear, military, life-critical or any other applications where a failure of the product or any consequences of the use thereof can result in personal injury.



Компания «ЭлектроПласт» предлагает заключение долгосрочных отношений при поставках импортных электронных компонентов на взаимовыгодных условиях!

Наши преимущества:

- Оперативные поставки широкого спектра электронных компонентов отечественного и импортного производства напрямую от производителей и с крупнейших мировых складов;
- Поставка более 17-ти миллионов наименований электронных компонентов;
- Поставка сложных, дефицитных, либо снятых с производства позиций;
- Оперативные сроки поставки под заказ (от 5 рабочих дней);
- Экспресс доставка в любую точку России;
- Техническая поддержка проекта, помощь в подборе аналогов, поставка прототипов;
- Система менеджмента качества сертифицирована по Международному стандарту ISO 9001;
- Лицензия ФСБ на осуществление работ с использованием сведений, составляющих государственную тайну;
- Поставка специализированных компонентов (Xilinx, Altera, Analog Devices, Intersil, Interpoint, Microsemi, Aeroflex, Peregrine, Syfer, Eurofarad, Texas Instrument, Miteq, Cobham, E2V, MA-COM, Hittite, Mini-Circuits, General Dynamics и др.);

Помимо этого, одним из направлений компании «ЭлектроПласт» является направление «Источники питания». Мы предлагаем Вам помощь Конструкторского отдела:

- Подбор оптимального решения, техническое обоснование при выборе компонента;
- Подбор аналогов;
- Консультации по применению компонента;
- Поставка образцов и прототипов;
- Техническая поддержка проекта;
- Защита от снятия компонента с производства.



Как с нами связаться

Телефон: 8 (812) 309 58 32 (многоканальный)

Факс: 8 (812) 320-02-42

Электронная почта: org@eplast1.ru

Адрес: 198099, г. Санкт-Петербург, ул. Калинина, дом 2, корпус 4, литера А.