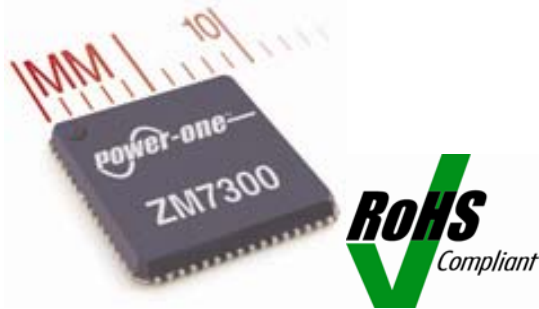




Member of the **maxVZ** Family



Applications

- Low voltage, high density systems utilizing Z-One™ Digital Intermediate Bus Architectures
- Broadband, networking, optical, and wireless communications systems
- Industrial computing, servers, and storage applications

Benefits

- Eliminates the need for external power management components
- Communicates with the host system via the industry standard I²C communication bus
- Reduces board space, system cost, complexity, and time to market

Description

Power-One's point-of-load converters are recommended for use with regulated bus converters in an Intermediate Bus Architecture (IBA). The ZM7300 is a fully programmable digital power manager that utilizes the industry-standard I²C communication bus interface to control, manage, program and monitor up to 32 Z-series POL converters and 4 independent power devices. The ZM7300 completely eliminates the need for external components for power management and programming and monitoring of the Z-One™ POL converters and other industry standard power and peripheral devices. Parameters of the ZM7300 are programmable via the I²C bus and can be changed by a user at any time during product development and deployment.

Features

- RoHS compliant for all six substances
- Compatible with both lead-free and standard reflow processes
- Programs, controls, and manages up to 32 independent Z-series POL converters via an industry standard I²C interface (both 100kHz and 400kHz)
- JTAG IEEE 1149.1 compliant programming interface
- Controls and monitors industry standard power supplies and other peripheral devices (fans, etc)
- Programs output voltage, protections, optimal voltage positioning, turn-on and turn-off delays and slew rates, switching frequency, interleave (phase shift), and feedback loop compensation of the Z-One™ POL converters
- User friendly GUI interface for programming, monitoring, and performance simulation
- Four independent OK lines for flexible fault management and fast fault propagation
- Four interrupt inputs with programmable hot swap support capabilities
- Intermediate bus voltage monitoring and protection
- AC Fail input
- Non-volatile memory to store system configuration information and status data
- 1 kByte of user accessible non-volatile memory
- Control of industry standard DC-DC front ends
- Crowbar output to trigger the optional crowbar protection
- Run-time counter
- Hardware and software locks for data protection
- Small footprint semiconductor industry standard QFN64 package: 9x9mm
- Wide industrial operating temperature range





1 Selection Chart

| DPM Type | Number of Z-One™ POLs and Auxiliary devices that can be controlled | Active Addresses | Number of Groups | Number of Interrupts | Number of Parallel Buses | Number of Auxiliary Devices |
|----------|--|------------------|------------------|----------------------|--------------------------|-----------------------------|
| ZM7304G | 4 | 00...03 | 2 | 2 | 2 | 4 |
| ZM7308G | 8 | 00...07 | 2 | 2 | 4 | 4 |
| ZM7316G | 16 | 00...15 | 3 | 3 | 4 | 4 |
| ZM7332G | 32 | 00...31 | 4 | 4 | 8 | 4 |

2 Ordering Information

| ZM | 73 | xx | G | - | yyyyy | - | zz |
|--|---|---|--|---|---|---|---|
| Product family: Z-One Power Management Devices | Series: Digital Power Manager | Number of Z-One™ POLs and Auxiliary devices: 04 – 4 devices 08 – 8 devices 16 – 16 devices 32 – 32 devices | RoHS compliance: G - RoHS compliant for all six substances | | 5-digit identifier assigned by Power-One for each unique configuration file | | Packaging Option ¹⁾: B1 – 50pcs Tube B2 – 10pcs Tube T1 – 500pcs T&R T2 – 100pcs T&R Q1 – 1pc sample for evaluation only |

¹ Packaging option is used only for ordering and not included in the part number printed on the DPM label.

² The evaluation board is available in only one configuration: ZM7300-KIT-HKS

Example: **ZM7316G-12345-T1**: A 500-piece reel of 16-node DPMs with preloaded configuration file code 12345. Each DPM is labeled ZM7316G-12345. Refer to Figure 1 for label marking information.

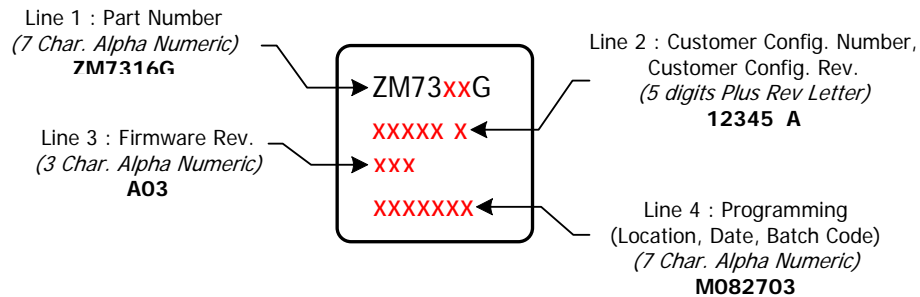


Figure 1. Label Drawing

3 Standard 5-Digit Identifiers

| DPM Type | DPM preloaded with default configuration file | DPM configured for JTAG programming | Packaging Options |
|----------|---|-------------------------------------|--------------------|
| ZM7304G | 65501 | 65505 | B1, B2, T1, T2, Q1 |
| ZM7308G | 65502 | 65506 | B1, B2, T1, T2, Q1 |
| ZM7316G | 65503 | 65507 | B1, B2, T1, T2, Q1 |
| ZM7332G | 65504 | 65508 | B1, B2, T1, T2, Q1 |





4 Reference Documents

- ZY7XXX Point of Load Regulator. Data Sheet
- ZM7300 Digital Power Manager. Programming Manual, Revision A09 or later
- Graphical User Interface, Revision 6.3.5 or later
- Programming ZM7300 DPMs via JTAG Interface. Application Note
- ZM00056-KIT USB to I²C Adapter Kit. User Manual

5 Absolute Maximum Ratings

Stresses beyond those listed may cause permanent damage to the DPM. Exposure to absolute maximum rating conditions for extended periods may affect device reliability. Functional operation of the DPM at absolute maximum ratings or conditions beyond those indicated in the operational sections of this specification is not implied.

| Parameter | Conditions/Description | Min | Max | Units |
|--|------------------------|------|---------|-------|
| Ambient Temperature Range | | -40 | 85 | °C |
| Storage Temperature (T _s) | | -55 | 150 | °C |
| Junction Temperature (T _j) | | | 125 | °C |
| Input Voltage | VDD pin | -0.3 | 3.6 | VDC |
| Input Voltage | Any pin other than VDD | -0.5 | VDD+0.5 | VDC |
| Pin Current | DC | | 40 | mA |

6 Mechanical Specifications

| Parameter | Conditions/Description | Min | Nom | Max | Units |
|----------------------------|-------------------------|----------------|-----|-----|-------|
| Peak Reflow Temperature | 40 sec maximum duration | | | 260 | °C |
| Lead Plating | | 100% matte tin | | | |
| Moisture Sensitivity Level | JEDEC J-STD-020C | 3 | | | |

7 Reliability Specifications

| Parameter | Conditions/Description | Min | Nom | Max | Units |
|-------------------------------|---|--------|-----|-----|-------------------|
| Failure Rate | Demonstrated at 55°C, 60% Confidence Level | 2.26 | | | FIT |
| Non-Volatile Memory Endurance | -40°C to 85°C ambient | 10,000 | | | Read-Write cycles |



8 Electrical Specifications

Specifications apply at VDD from 3V to 3.6V, ambient temperature from -40°C to 85°C, and utilizing proper decoupling as shown in Figure 3 unless otherwise noted.

8.1 Power Specifications

| Parameter | Conditions/Description | Min | Nom | Max | Units |
|--------------------------|--|-----|------|------|-------|
| Input Supply Voltage | VDD pin | 3.0 | | 3.6 | VDC |
| Undervoltage Lockout | Hardware reset is triggered below this threshold | 2.3 | 2.5 | 2.7 | VDC |
| Input Supply Current | VDD pin=3.3V | | 12 | 20 | mA |
| VREF voltage | AREF pin | 2.3 | 2.56 | 2.7 | VDC |
| IBVS input voltage range | | GND | | VREF | VDC |
| IBVS input resistance | | | 100 | | MΩ |

8.2 Feature Specifications

| Parameter | Conditions/Description | Min | Nom | Max | Units |
|---|--|-----|------|------|------------------|
| Intermediate Voltage Bus Protections | | | | | |
| Oversvoltage Protection Threshold | With external 5.7:1 ratio divider | IBV | | 14.6 | V |
| Undervoltage Protection Threshold | With external 5.7:1 ratio divider | 0 | | IBV | V |
| Threshold Hysteresis | With external 5.7; 1ratio divider. Symmetrical relative to average threshold value | | ±114 | | mV |
| Accuracy of Protection Thresholds | Internal voltage reference, 1% resistive divider | -10 | | 10 | %V _{TH} |
| Internal ADC Conversion Error | With external 5.7:1 ratio divider | -43 | | 43 | mV |
| Front End Enable (FE_EN) | | | | | |
| V _{FE_EN} | Front End logic level enabled | | High | | |
| V _{FE_EN} | Front End logic level disabled | | Low | | |
| I _{src} | Source Current, V _{FE_EN} =V _{DD} -0.5V | 5 | | | mA |
| I _{sink} | Sink Current, V _{FE_EN} =0.5V | 5 | | | mA |
| Crowbar (CB) | | | | | |
| V _{CB} | Crowbar Enable | | High | | |
| V _{CB} | Crowbar Disable | | Low | | |
| I _{src} | Source Current, V _{CB} =V _{DD} -0.5V | 5 | | | mA |
| I _{sink} | Sink Current, V _{CB} =0.5V | 5 | | | mA |
| T _{CB} | Duration of Enabling Pulse | | 1 | | ms |

8.3 Signal Specifications

| Parameter | Conditions/Description | Min | Nom | Max | Units |
|--|---|----------|------|----------|------------------|
| SYNC/DATA Line | | | | | |
| SDpu | SD pull up resistor | | 5 | | kΩ |
| SDthrL | SD input low voltage threshold | 0.31·VDD | | 0.52·VDD | V |
| SDthrH | SD input high voltage threshold | 0.45·VDD | | 0.81·VDD | V |
| SDhys | SD input hysteresis | 0.37 | | 1.1 | V |
| SDsink | SD sink capability (V _{SD} =0.5V) | | | 30 | mA |
| Freq_sd | Clock frequency | 450 | | 550 | kHz |
| Tsynq | Sync pulse duration | 22 | | 28 | % of clock cycle |
| T0 | Data=0 pulse duration | 72 | | 78 | % of clock cycle |
| Interrupt Inputs (INT_N[3:0]) | | | | | |
| Rpu3 | Pull up resistor | | 30 | | kΩ |
| VthrL3 | Input low voltage threshold | 0.31·VDD | | 0.52·VDD | V |
| VthrH3 | Input high voltage threshold | 0.45·VDD | | 0.81·VDD | V |
| Vhys3 | Input hysteresis | 0.37 | | 1.1 | V |
| ADDR[3:0], ACFAIL_N, RES_N, LCK_N, PG[3:0] Inputs | | | | | |
| Rpu1 | Pull up resistor | 20 | | 50 | kΩ |
| VthrL1 | Input low voltage | -0.5 | | 0.2·VDD | V |
| VthrH1 | Input high voltage | 0.7·VDD | | VDD+0.5 | V |
| HRES_N Input | | | | | |
| Rpu2 | HRES_N pull up resistor (with series diode, see note 1) | 30 | | 60 | kΩ |
| VthrL2 | HRES_N input low voltage | -0.5 | | 0.2·VDD | V |
| VthrH2 | HRES_N input high voltage | 0.9·VDD | | VDD+0.5 | V |
| Inputs/Outputs (OK_A, OK_B, OK_C, OK_D) | | | | | |
| OKpu | OK pull up resistor | | 5 | | kΩ |
| OKthrL | OK input low voltage threshold | 0.31·VDD | | 0.52·VDD | V |
| OKthrH | OK input high voltage threshold | 0.45·VDD | | 0.81·VDD | V |
| OKhys | OK input hysteresis | 0.37 | | 1.1 | V |
| OKsink | OK sink capability (V _{OK} =0.5V) | | | 30 | mA |
| Enable Outputs (EN[3:0]) | | | | | |
| V _{EN} | EN logic level enabled | | High | | |
| V _{EN} | EN logic level disabled | | Low | | |
| V _{ENH} | EN output high voltage I _{OH} = -10 mA | VDD-0.6 | | | V |
| V _{ENL} | EN output low voltage I _{OL} = 5 mA | | | 0.5 | V |

¹ HRES_N Input - Because the input does not have an internal ESD protection diode connected to VDD, the user needs to add an external diode between the HRES_N and VDD pins as shown in Figure 3.

8.4 I²C Interface

| Parameter | Conditions/Description | Min | Nom | Max | Units |
|--|--|-----------------------------------|-----|----------------------------------|-------|
| V _{IL} | Input low voltage | -0.5 | | 0.3·V _{DD} | V |
| V _{IH} | Input high voltage | 0.7·V _{DD} | | V _{DD} +0.5 | V |
| V _{hys} | Input hysteresis | 0.05·V _{DD} | | | V |
| V _{OL} | Output low voltage, I _{SINK} =3mA | 0 | | 0.4 | V |
| t _r | Rise time for SDA and SCL | 20+0.1C _b ¹ | | 300 | ns |
| t _{of} | Output fall time from V _{IHmin} to V _{ILmax} | 20+0.1C _b ¹ | | 250 | ns |
| I _I | Input current each I/O pin, 0.1V _{DD} <V _I <0.9V _{DD} | -10 | | 10 | μA |
| C _i | Capacitance for each I/O pin | | | 10 | pF |
| f _{SCL} | SCL clock frequency | 0 | | 400 | kHz |
| Standard-Mode I²C (f_{SCL} ≤ 100kHz) | | | | | |
| R _{PU} | External pull-up resistor | 1 | | 1000/C _b ¹ | kΩ |
| t _{HDSTA} | Hold time (repeated) START condition | 4.0 | | | μs |
| t _{LOW} | Low period of the SCL clock | 4.7 | | | μs |
| t _{HIGH} | High period of the SCL clock | 4.0 | | | μs |
| t _{SUSTA} | Setup time for a repeated START condition | 4.7 | | | μs |
| t _{HDDAT} | Data hold time | 0 | | 3.45 | μs |
| t _{SUDAT} | Data setup time | 250 | | | ns |
| t _{SUSTD} | Setup time for STOP condition | 4.0 | | | μs |
| t _{SUF} | Bus free time between a STOP and START condition | 4.7 | | | μs |
| Fast-Mode I²C (100kHz < f_{SCL} ≤ 400kHz) | | | | | |
| R _{PU} | External pull-up resistor | 1 | | 300/C _b ¹ | kΩ |
| t _{HDSTA} | Hold time (repeated) START condition | 0.6 | | | μs |
| t _{LOW} | Low period of the SCL clock | 1.3 | | | μs |
| t _{HIGH} | High period of the SCL clock | 0.6 | | | μs |
| t _{SUSTA} | Setup time for a repeated START condition | 0.6 | | | μs |
| t _{HDDAT} | Data hold time | 0 | | 0.9 | μs |
| t _{SUDAT} | Data setup time | 100 | | | ns |
| t _{SUSTD} | Setup time for STOP condition | 0.6 | | | μs |
| t _{SUF} | Bus free time between a STOP and START condition | 1.3 | | | μs |

¹ C_b – bus capacitance in pF, typically from 10pF to 400pF

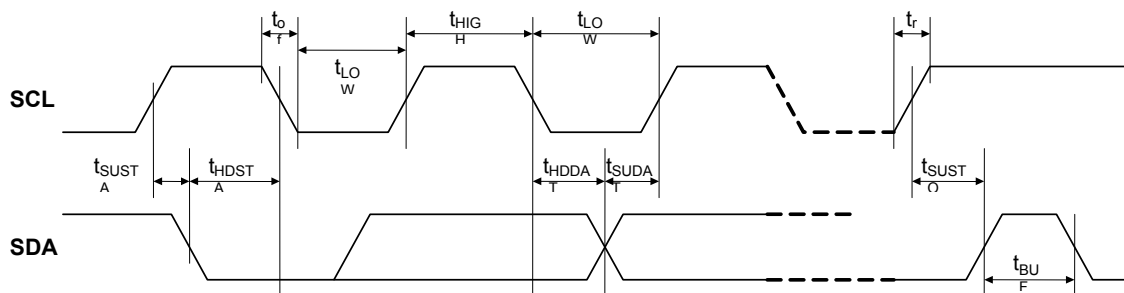


Figure 2. I²C Timing Parameters



9 Typical Application

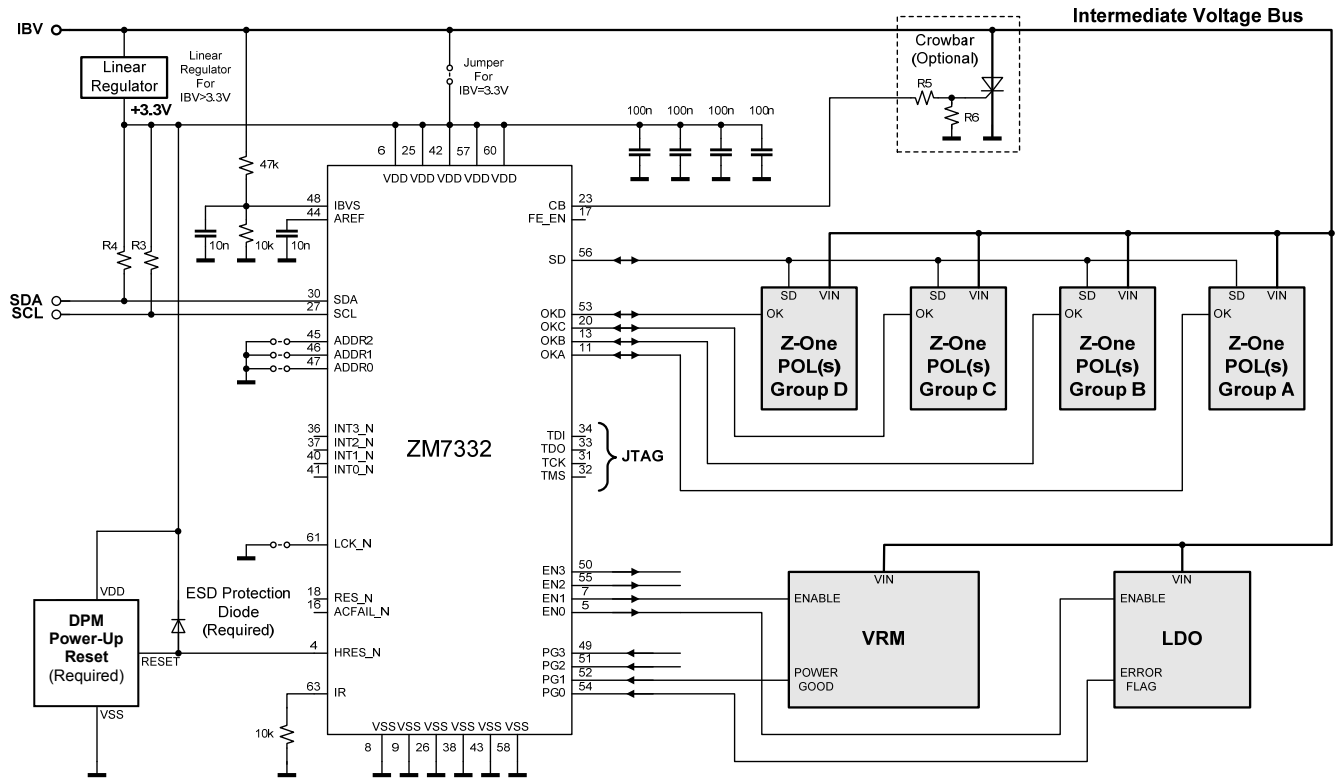


Figure 3. Typical Application Schematic of Multiple Output System with Digital Power Manager and I²C Interface

The schematic of a typical application of a ZM7300 digital power manager (DPM) is shown in Figure 3. The system includes four groups of Z-One Point Of Load converters (POLs). A group is defined as one or more POL converters interconnected via OK pins. Grouping of the POLs enables users to program advanced fault management schemes and define margining functions, monitoring, startup behavior, and reporting conventions.

All Z-One POL converters are connected to the DPM and to each other via a single-wire synchronization/data (SD) line. The line provides synchronization of all POL converters to the master clock generated by the DPM and simultaneously carries bidirectional data transfer between POL converters and the DPM. The DPM communicates via the I²C bus with the host system and/or the Graphical User Interface.

In this application, besides Z-One POL converters, the DPM also controls and monitors two auxiliary devices – a Voltage Regulation Module (VRM) and a Low Dropout Regulator (LDO). While these devices are not Z-One compliant and may not even be manufactured by Power-One, they are integrated into the system by communicating with the DPM via their Enable pins connected to ENX outputs of the DPM. In addition, the DPM monitors status of the auxiliary devices via its PGX inputs connected to Power Good and Error Flag outputs of the auxiliary devices. The DPM can control and monitor four or more independent auxiliary devices.



The DPM can also trigger an optional crowbar circuit and provide undervoltage and overvoltage protections of the intermediate bus voltage. In addition, the DPM can be controlled by a host system via the interrupt inputs, RES_N and the ACFAIL_N inputs.

10 Description

The ZM7300 series DPMs perform translation between the I²C interface connected to a host system or the Graphical User Interface and the SD communication bus connected to Z-series POL converters. In addition, DPMs carry out programming, monitoring, data storage, POL group management, hot-swap control, protection, and control and monitoring of auxiliary devices.

The DPMs can be controlled via the GUI or directly via the I²C bus by using specific commands described in the “DPM Programming Manual”.

10.1 DPM Memory

The DPM memory consists of RAM and non-volatile memory (Flash). The RAM is used for programming operations and manipulation of the various blocks of configuration, setup, status, and monitoring registers. The non-volatile memory is used to store programming and configuration data. The DPM memory includes DPM registers, POL setup registers, monitoring data, and user memory as shown in Figure 4. Setup registers for the DPM and the POL converters are protected by CRCs that are checked during programming of POL converters and at the power-up of the DPM.

The LCK_N pin and the write protection register WP limit the write access to the memory blocks in the DPM and POL converters. The WP register content is defaulted to write protect upon powering up the DPM.

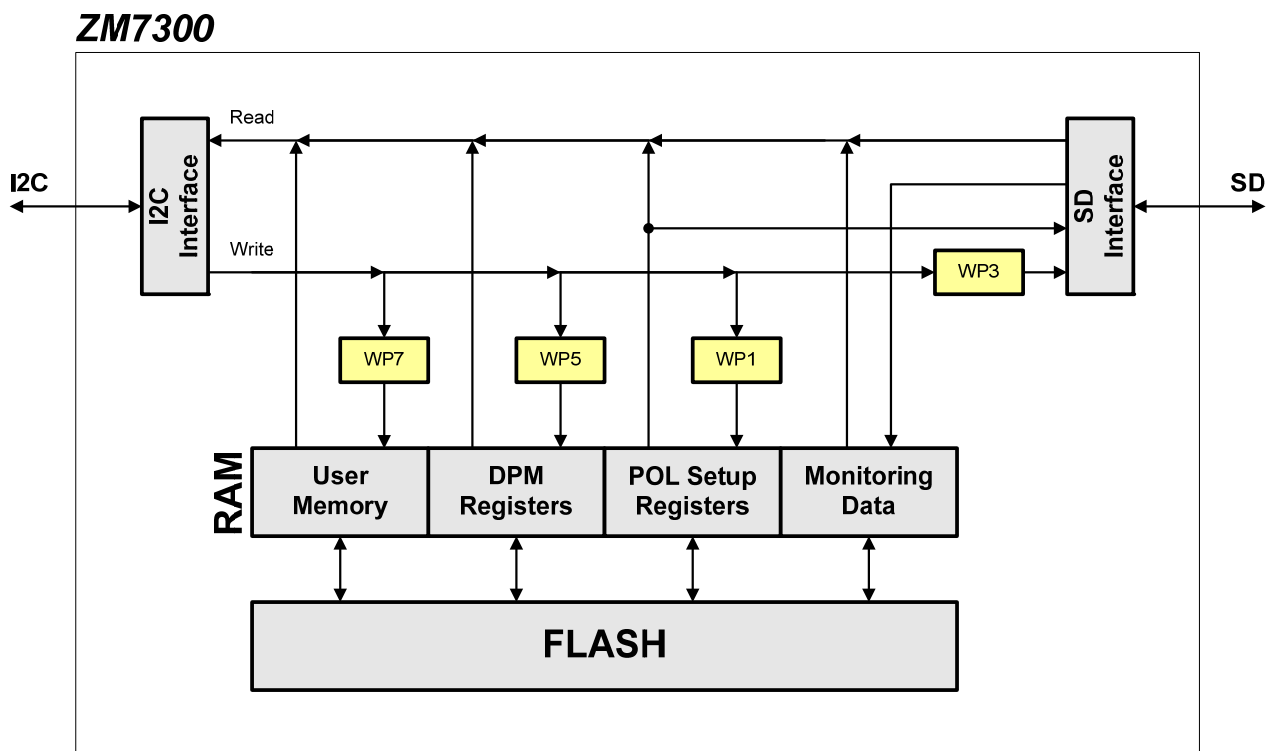


Figure 4. DPM Memory and Write Protection

10.1.1 Write Protection

There are hardware-based and software-based memory write protections. The hardware protection takes precedence over the software protection.

10.1.1.1 Hardware Protection

The LCK_N pin enables the hardware memory write protection. If the pin is pulled low, the hardware lock is active and the memory blocks are then read-only. I²C write commands to the DPM return an error code (0x00). The write commands to the POL converters bypassing the DPM are also disabled. If the pin is left floating, the hardware lock is disabled and the software write protection is active.

10.1.1.2 Software Protection

The software write protection allows users to protect the various memory blocks from being overwritten through the I²C bus. At the power-up the WP register is defaulted to write protect.

The software write protection can be disabled by checking appropriate boxes in the Write Protections window shown in Figure 5 or via the I²C bus by writing directly into the register. The write protections are automatically restored when the DPM's input power is recycled.

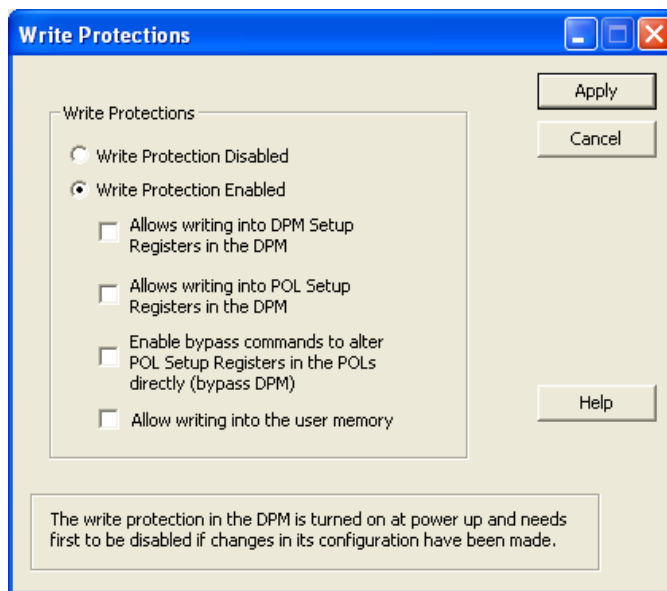


Figure 5. GUI Write Protections Window

10.1.2 DPM Registers

The DPM setup registers occupy 70 bytes and contain all necessary information to set up the DPM functionality, define POL converters and Auxiliary Devices, group membership and behavior, margining, interrupt configurations, etc.

The DPM registers are listed in Table 1. The table relates to the DPM model number ZM7332 capable of supporting up to 32 POL converters. For other DPM models some of the registers and/or bits in the registers are not activated depending on the number of supported POLs/Groups/Interrupts/Parallel Buses for the specific DPM. Writing into an unsupported register or bit will have no effect, reading from an unsupported register or bit will return an error code (0x00).

Table 1. DPM Setup Registers

| Address Offset ¹ | Register Name | Content | Register Type | User Access | Write Protect | Initial Value |
|-----------------------------|---------------|-----------------------------------|---------------|-------------|---------------|-------------------------|
| 0x00 | GD1[3:0] | Group Definition Register 1 | Static | R/W | yes | 0x00000000 |
| 0x04 | GD2[3:0] | Group Definition Register 2 | Static | R/W | yes | 0x00000000 |
| 0x08 | GAC | Group A Configuration | Static | R/W | yes | 0x00 |
| 0x09 | GBC | Group B Configuration | Static | R/W | yes | 0x00 |
| 0x0A | GCC | Group C Configuration | Static | R/W | yes | 0x00 |
| 0x0B | GDC | Group D Configuration | Static | R/W | yes | 0x00 |
| 0x0C | FPC1 | Fault Propagation Configuration 1 | Static | R/W | yes | 0x00 |
| 0x0D | FPC2 | Fault Propagation Configuration 2 | Static | R/W | yes | 0x00 |
| 0x0E | EPC | Error Propagation Configuration | Static | R/W | yes | 0x00 |
| 0x0F | IC1 | Interrupt Configuration 1 | Static | R/W | yes | 0x00 |
| 0x10 | IC2 | Interrupt Configuration 2 | Static | R/W | yes | 0x00 |
| 0x11 | IBL[1:0] | IBV Low threshold | Static | R/W | yes | 0x00 |
| 0x13 | IBH[1:0] | IBV high threshold | Static | R/W | yes | 0xFF |
| 0x15 | ID[1:0] | DPM Customer Identification | Static | OTP | N/A | 0xFFFF |
| 0x17 | PB1[3:0] | Parallel Bus Register 1 | Static | R/W | yes | 0x00000000 |
| 0x1B | PB2[3:0] | Parallel Bus Register 2 | Static | R/W | yes | 0x00000000 |
| 0x1F | PB3[3:0] | Parallel Bus Register 3 | Static | R/W | yes | 0x00000000 |
| 0x23 | PB4[3:0] | Parallel Bus Register 4 | Static | R/W | yes | 0x00000000 |
| 0x27 | PMC | Power Manager Configuration | Static | R/W | yes | 0x00 |
| 0x28 | PID[31:0] | POL Identification Register | Static | R/W | yes | 0x00 |
| 0x80 | RTC[3:0] | Run Time Counter | Run time | R | Read only | value at last shut-down |
| 0x84 | PPS[3:0] | POL Programming Status | Run time | R | | (4x) 0x00 |
| 0x88 | EST | Event Status | Run time | R | | 0x00 |
| 0x89 | IBV[1:0] | IB Voltage | Run time | R | | 0x00 |
| 0x8B | STA | Status of Group A | Run time | R | | 0x00 |
| 0x8C | STB | Status of Group B | Run time | R | | 0x00 |
| 0x8D | STC | Status of Group C | Run time | R | | 0x00 |
| 0x8E | STD | Status of Group D | Run time | R | | 0x00 |
| 0x8F | REL[1:0] | DPM Software Release | Static | R | | According to DPM type |
| 0x91 | PSS[3:0] | POL Status Summary | Run time | R | | 0x00 |
| 0x95 | DPMS | DPM Status | Run time | R | | 0x01 |
| 0x96 | WP | Write Protection | Volatile | R/W | | 0x00 |

¹ Writing into memory locations beyond address offset 0x96 must be avoided

The static registers are saved in the non-volatile memory and used to store the system configuration data. The run-time registers contain status information and are evaluated during run-time. The Write Protection register WP is a volatile register that defaults to write protect at power-up.

10.1.3 POL Setup Registers

Since the POL converters contain only RAM, the data defining performance parameters for each POL and Auxiliary Device, such as the output voltage, protection thresholds, feedback loop compensation, turn-on and turn-off delays, fault management settings, etc., is stored in the POL setup registers in the DPM. The POL setup registers consist of 23 data bytes and 2 CRC bytes. The Auxiliary Device setup registers occupy the same amount of bytes as a POL converter, but only 3 registers have meaningful data. The other registers should be filled with 0x00. The POL setup registers are listed in Table 2.

Table 2. POL Setup Registers

| Address Offset | Register | | Content |
|-------------------|-----------|------------|--|
| | Z-ONE POL | Aux Device | |
| 00h | PC1_x | EC_x | Protection Configuration 1 |
| 01h | PC2_x | reserved | Protection Configuration 2 |
| 02h | PC3_x | reserved | Protection Configuration 3 |
| 03h | TC_x | reserved | Tracking Configuration |
| 04h | INT_x | reserved | Interleave Configuration and Frequency Selection |
| 05h | DON_x | EON_x | Turn-On Delay |
| 06h | DOF_x | EOF_x | Turn-Off Delay |
| 07h | VOS_x | reserved | Output Voltage Set-point |
| 08h | CLS_x | reserved | Current Limit Set-point |
| 09h | DCL_x | reserved | Duty Cycle Limit |
| 0Ah | B1_x | reserved | Dig Controller Denominator z-1 Coefficient |
| 0Bh | B2_x | reserved | Dig Controller Denominator z-2 Coefficient |
| 0Ch | B3_x | reserved | Dig Controller Denominator z-3 Coefficient |
| 0Dh | C0L_x | reserved | Dig Controller Numerator z0 Coefficient Low Byte |
| 0Eh | C0H_x | reserved | Dig Controller Numerator z0 Coefficient High Byte |
| 0Fh | C1L_x | reserved | Dig Controller Numerator z-1 Coefficient Low Byte |
| 10h | C1H_x | reserved | Dig Controller Numerator z-1 Coefficient High Byte |
| 11h | C2L_x | reserved | Dig Controller Numerator z-2 Coefficient Low Byte |
| 12h | C2H_x | reserved | Dig Controller Numerator z-2 Coefficient High Byte |
| 13h | C3L_x | reserved | Dig Controller Numerator z-3 Coefficient Low Byte |
| 14h | C3H_x | reserved | Dig Controller Numerator z-3 Coefficient High Byte |
| 15h | reserved | reserved | |
| 16h | reserved | reserved | |
| 17h | reserved | reserved | |
| 18h | reserved | reserved | |
| 19h | reserved | reserved | |
| 1Ah | reserved | reserved | |
| 1Bh | reserved | reserved | |
| 1Ch | VOML_x #) | reserved | Output Voltage Margining Low Value |
| 1Dh | VOMH_x #) | reserved | Output Voltage Margining High Value |
| 1Eh | CRC0_x #) | CRC0_x #) | Cyclic Redundancy Check Register 0 |
| 1Fh | CRC1_x #) | CRC1_x #) | Cyclic Redundancy Check Register 1 |

x denotes the POL address [0..31]

#) not downloaded to the POL during programming

10.1.4 Monitoring Data

The DPMs can retrieve current, temperature, output voltage, and status information from each of the POL converters and status information only from Auxiliary Devices. Monitoring data is stored in RAM and can be accessed via the I²C bus. Monitoring registers are read only.

The monitoring data consists of 5 Bytes for each POL converter and Auxiliary Device as shown in Table 3. When the status monitoring is enabled, the ST registers get continuously updated. When the parametric monitoring is enabled, the VOH, VOL, IO, and TMP registers get continuously updated.

Table 3: Monitoring Data Registers

| POL Converter | | Auxiliary Device | |
|---------------|--------------------------|------------------|-----------------|
| Register | Content | Register | Content |
| ST | Status Register | ST | Status Register |
| VOH | Output Voltage High Byte | reserved | |
| VOL | Output Voltage Low Byte | reserved | |
| IO | Output Current | reserved | |
| TMP | Temperature | reserved | |

10.1.5 User Memory

This non-volatile memory block is reserved for users' notes and not related to other functions in the DPM. It can be used to save user-specific information such as manufacturing data and location, serial number, application code, configuration file version, warranty or repair information, etc. A total of 1024 Bytes organized in 4 pages is provided. The user memory can be accessed via the GUI System Configuration window shown in Figure 9 or directly via the I²C bus using specific commands. Content of the user memory can be saved into the configuration file by clicking OK in the User Memory window shown in Figure 6.

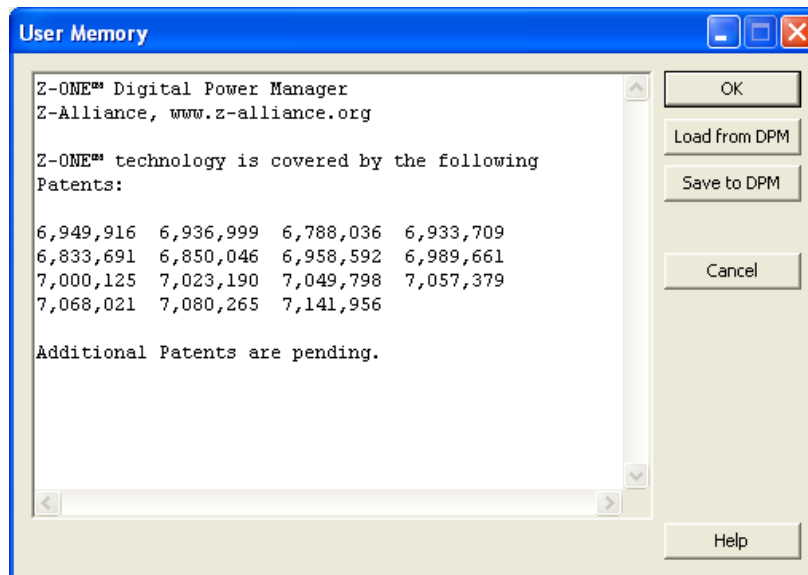


Figure 6. User Memory Window

10.2 Auxiliary Devices

The ZM7300 DPM includes all necessary circuitry to control and monitor four Auxiliary Devices. Virtually any device which has an on/off input and a monitoring output can be an Auxiliary Device. Typical examples of Auxiliary Devices include analog POL converters, linear regulators, and fans. Auxiliary Devices are controlled and monitored via the Graphical User Interface.

The DPM treats Auxiliary Devices as Z-One™ POL converters: each Auxiliary Device has an address and is assigned to one of the groups as shown in Figure 9 (device at addresses 03). Turn-on and off delays can be programmed, and faults can be propagated from POL converters to the devices. Auxiliary Devices are controlled through standard group turn-on and off commands and are fully synchronized with turn-on/off timing of POL converters.

Four enable outputs EN0...EN3 control the Auxiliary Devices. Four monitoring inputs PG0...PG3 read status of the Auxiliary Devices. The enable outputs and monitoring inputs are paired together and permanently assigned to specific pins of the DPM as shown in Figure 7.

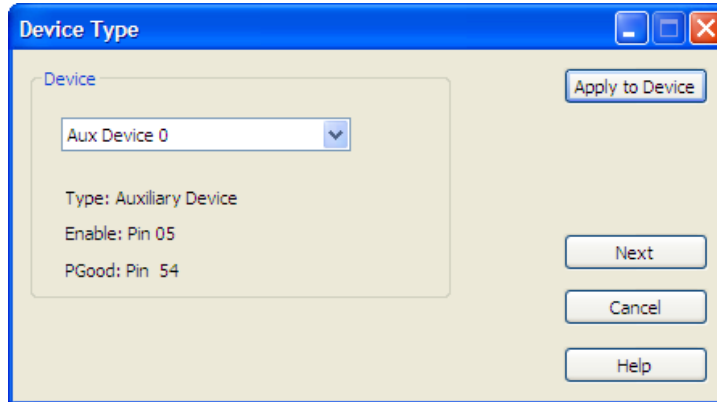


Figure 7. Auxiliary Device Type Window

Turn-on and turn-off delays can be programmed for each Auxiliary Device as shown in Figure 8. Timing of turn-on and turn-off events can be synchronized between Auxiliary Devices and POL converters by programming appropriate delays for specific types of devices.



Figure 8. Sequencing Tracking Window

10.3 DPM Functions

10.3.1 POL Programming

POL programming is the process of downloading the content of POL setup registers stored in DPM's non-volatile memory via the SD bus to the POL converters.

Programming of POL converters is performed upon power-up, or when the Program Config... button is pressed in the GUI System Configuration window shown in Figure 9, or when the specific command is sent directly via the I²C bus.

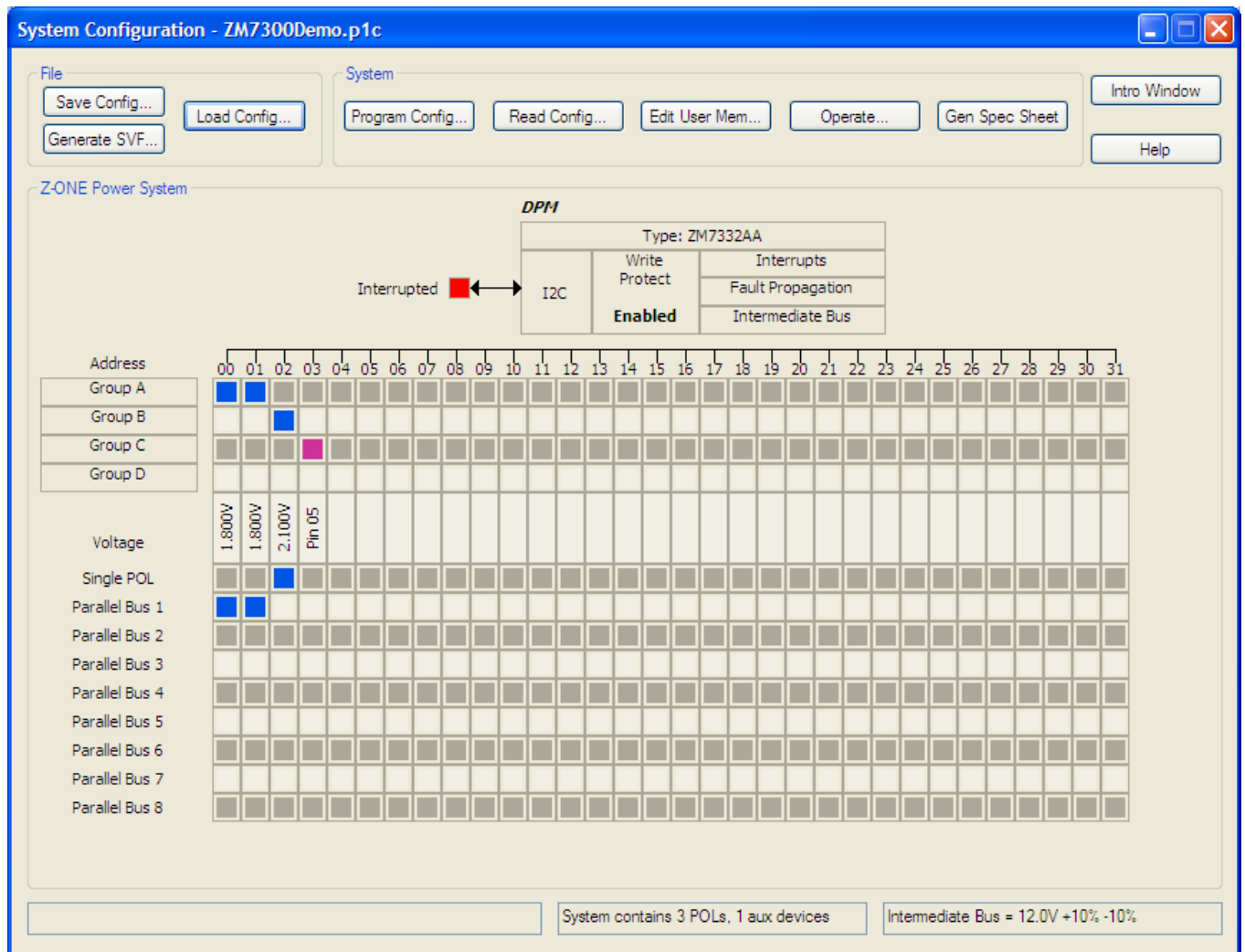


Figure 9. System Configuration Window

The programming is performed in several steps. Once the supply voltage on the VDD pins of the DPM exceeds the UVLO protection threshold, the DPM will start copying setup registers from its non-volatile memory into RAM and execute the cyclic redundancy check (CRC) to ensure integrity of the programming data. When the voltage on the IBVS pin exceeds the IBV undervoltage protection threshold, the DPM will download POL setup registers to the respective POL converter via the SD line. Every data transfer is protected by parity check and followed by the POL acknowledgement and read data back procedure. If both acknowledgement and readback operations are successful, the POL-

specific bit in the POL Programming Status registers will be set. The DPM considers the POL converter to be programmed, and continues programming the next POL converter.

Upon completion of the programming, the DPM will turn-on the POL converters, if the Auto Turn-On is enabled in the POL Group configuration window shown in Figure 10. Otherwise, the user will need to send the turn-on command via the I²C bus.

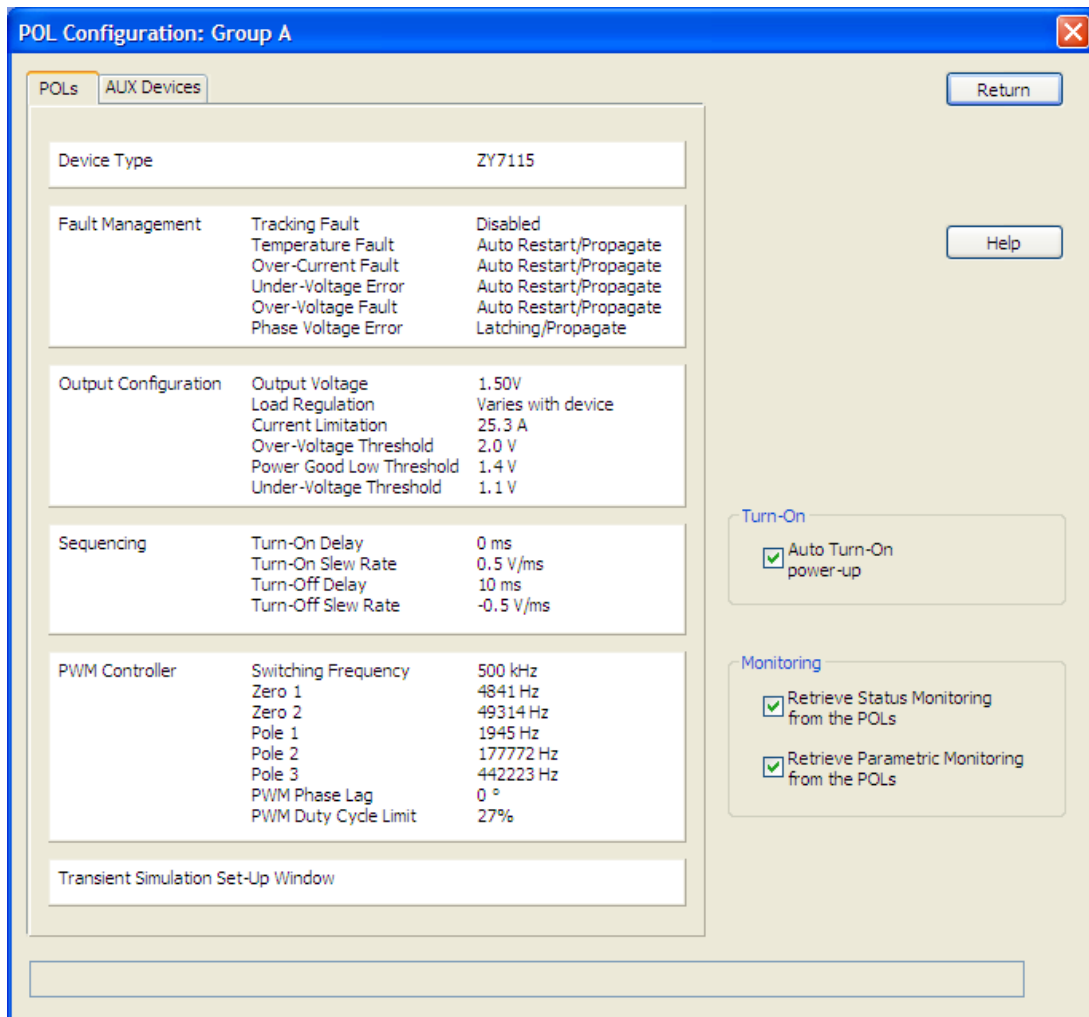


Figure 10. POL Group Configuration Window

10.3.2 Programming Time

Total system programming time can be determined from the following equation:

$$T_{PROGR} = T_{INIT} + n_{POL} \times T_{POL} + n_{AD} \times T_{AD}$$



Where:

- T_{PROGR} - time interval from the instant when the DPM supply voltage exceeds DPM's UVLO threshold until the DPM issues the turn-on command. If the Auto Power-Up is enabled, and the turn-on delay is set to zero, the output voltages start ramping up at the end of T_{PROGR} interval
- T_{INIT} - DPM initialization interval after the DPM supply voltage exceeds the UVLO threshold.
 $T_{\text{INIT}}=11.5\text{ms}$.
- T_{POL} - Time required for programming and verifying of one POL converter. $T_{\text{POL}}=26.5\text{ms}$.
- T_{AD} - Time required for programming and verifying of one Auxiliary Device. $T_{\text{AD}}=7.5\text{ms}$.
- n_{POL} - Number of POL converters in the system.
- n_{AD} - Number of Auxiliary Devices in the system.

The programming data (DPM and POL setup registers and the user memory) can be preloaded into DPMs by Power-One or the DPMs can be programmed by the user via the GUI, I²C bus, or JTAG programming interface. The DPMs can be programmed either before or after installation on a host board.

To modify POL converter settings, the user can directly access the registers of a POL converter via the I²C bus, bypassing DPM's POL setup registers. The I²C commands are translated by the DPM and converted into appropriate SD commands to read / write from / into the registers of a POL converter. Writing into these registers is limited by the hardware (LCK_N) and/or software write protections. Since POL converters do not have non-volatile memory, data written directly into POL converter registers will be lost when the input voltage is removed.

10.4 Monitoring

10.4.1 POL Monitoring

Z-One™ POL converters continuously monitor their own performance parameters such as output voltage, output current, and temperature. The monitored parameters are stored locally in the POL converters and updated every 1ms. If monitoring feature is enabled, the DPM will be continuously copying status and parametric data from POL converters into DPM's monitoring data registers.

The monitoring is enabled by checking the appropriate Retrieve Monitoring bits in the GUI Group Configuration window shown in Figure 10 or directly via the I²C bus by specific commands.

If the status monitoring is enabled, the status of each protection (overcurrent, overvoltage, etc.) is being reported. If the parametric monitoring is enabled, then real-time values of voltage, current, and temperature are being reported.

Status and parametric monitoring data of a single POL converter and groups of POL converters can be examined in the GUI IBS Monitoring Window shown in Figure 11 or directly via the I²C bus using specific commands. Status data for each group of POL converters is presented in the Group Status block in the left top corner of the window. Parametric data for individual POL converters is shown in Voltage [V], Current [A], and Temp [T] screens.

DPMs also monitor and report programming status of each POL converter and results of CRC operations.

10.4.2 Monitoring of Auxiliary Devices

The DPM can read status information of the Auxiliary Devices via the PG0...PG3 inputs. The PG0...PG3 are digital 3.3V compliant inputs with internal pull-up resistors. Logic high input on a PGX pin should correspond to normal operation of an Auxiliary Device.

Status monitoring data of Auxiliary Devices is stored in the DPM and displayed in the IBS Monitoring Window shown in Figure 11.

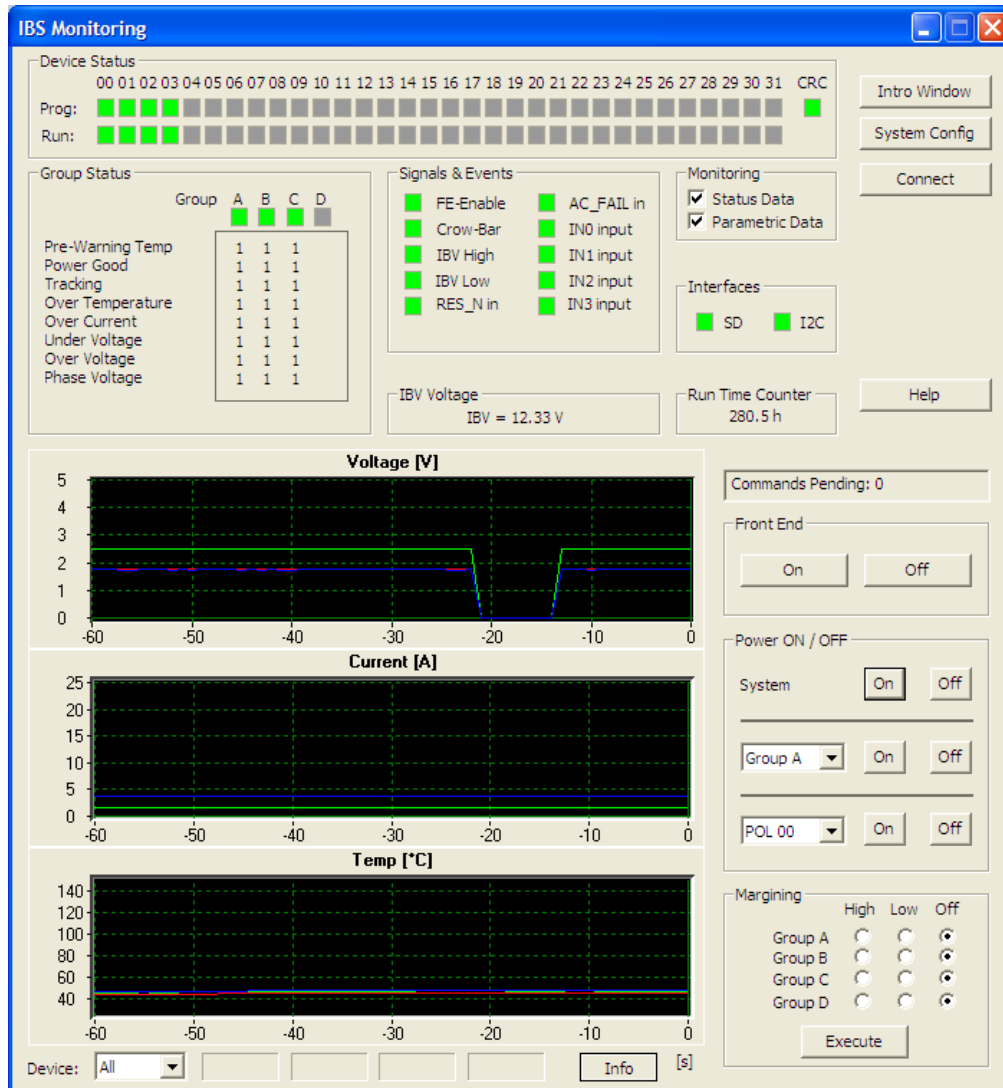


Figure 11. IBS Monitoring Window

10.4.3 Run Time Counter

The DPM also monitors the duration of time that it has been in operation. The 4 bytes Run Time Counter is active whenever the DPM is powered up. The count rate is 1 second. The counter is loaded into RAM upon power-up and the new count state is periodically saved to the non-volatile memory. Contents of the counter can be examined in the GUI IBS Monitoring Window shown in Figure 11 or directly via the I²C bus using specific commands.

10.4.4 IBV Monitoring

The DPM continuously monitors the intermediate bus voltage via the IBVS input and the built-in 10-bit ADC. The digital representation of the bus voltage is stored in RAM and reported in the IBS Monitoring window shown in Figure 11.

In addition, the DPM continuously compares the value of IBV to the Undervoltage and Overvoltage thresholds programmed in the GUI Intermediate Bus Configuration Window shown in Figure 12.

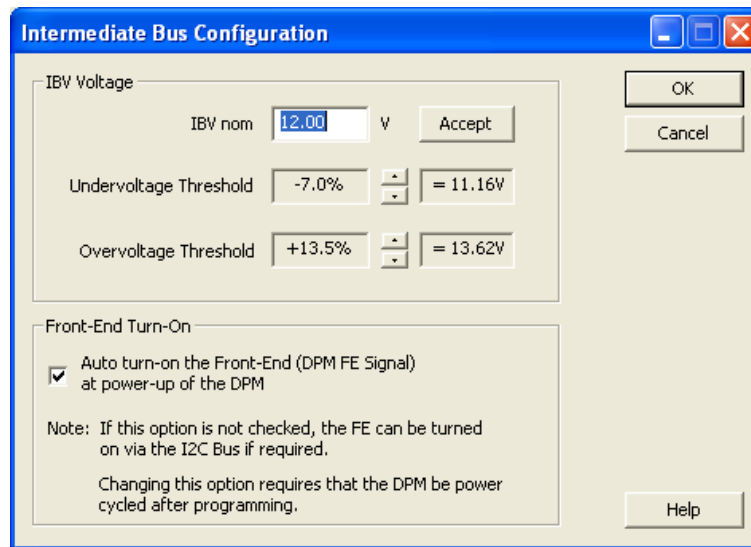


Figure 12. Intermediate Bus Configuration Window

The thresholds have a symmetric, fixed size hysteresis as shown in Figure 13

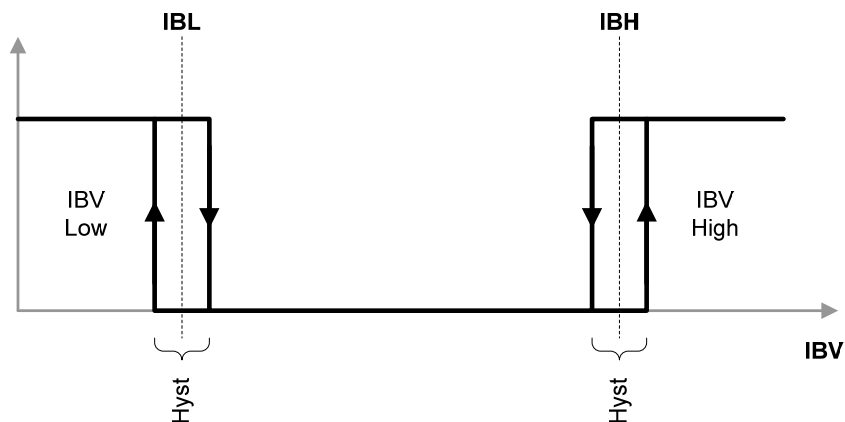


Figure 13: Undervoltage (IBL) and Overvoltage (IBH) Protections Hysteresis

When the IBV decreases below the IBL threshold minus the hysteresis, the DPM will pull OK lines low turning off all POL converters. The POL converters will execute regular turn-off ramping their output voltages down according to the turn-off delay and falling slew rate settings. In addition, the DPM will clear all bits in the POL Programming Status registers and save the content of the Run Time Counter into the non-volatile memory. The IBV Low bit in the IBS Monitoring Window will change to red. When the IBV recovers above the IBL threshold plus the hysteresis, the DPM will first program all POL

converters and then turn them on, if the Auto Turn-On is enabled in the POL Group configuration window shown in Figure 10. Otherwise, the user will need to send the turn-on command via the I²C bus.

When the IBV exceeds the IBH threshold plus the hysteresis, the DPM will pull OK lines low turning off all POL converters. The POL converters will execute regular turn-off ramping their output voltages down according to the turn-off delay and falling slew rate settings. In addition, the DPM will save the contents of the Run Time Counter into the non-volatile memory. If the IBV does not decrease below the IBH threshold minus the hysteresis within the next 50ms, the DPM will pull low the FE_EN output and clear all bits in the POL Programming Status registers. The IBV High bit in the IBS Monitoring Window will change to red. If the IBV still does not change, in 50ms the DPM will pull the CB pin high for 1ms to trigger an optional crowbar protection.

One second after the IBV decreases below the IBH threshold minus the hysteresis, the DPM will pull the FE_EN high and program all POL converters. Upon completion of the programming process, the DPM will turn on the POL converters, if the Auto Turn-On is enabled in the POL Group configuration window shown in Figure 10.

The propagation delay between the IBV increasing/decreasing above/below corresponding thresholds and the DPM pulling down OK lines and triggering the turn-off process is approximately 1ms.

10.4.4.1 Voltage Reference

For the purposes of IBV monitoring the user can select either the DPM's internal voltage reference or an external 2.5V voltage reference. The selection is made by clicking an appropriate radio button in the DPM Type Selection window shown in Figure 14.

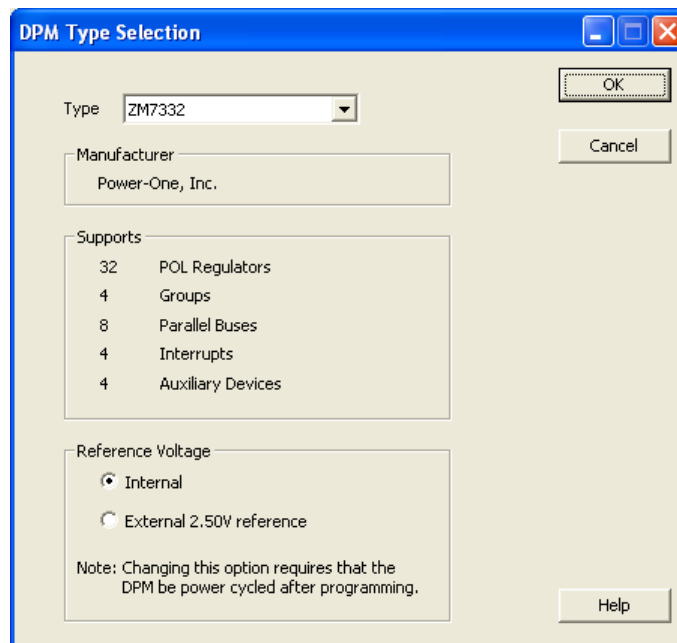


Figure 14. DPM Type Selection Window

The DPM's internal 2.56V voltage reference guarantees 10% overall accuracy of the IBV protection thresholds. If the accuracy is sufficient, the user does not need to make any changes to the schematic shown in Figure 3. If higher accuracy of the IBV monitoring is desired, then a 2.5V external reference

can be added as shown in Figure 15. The GUI automatically changes values of the IBL and IBH thresholds when the reference selection is changed.

Note: If the Reference Voltage setting is changed during operation of the DPM, then the power to the DPM needs to be cycled or the HRES_N pin needs to be pulled low and released

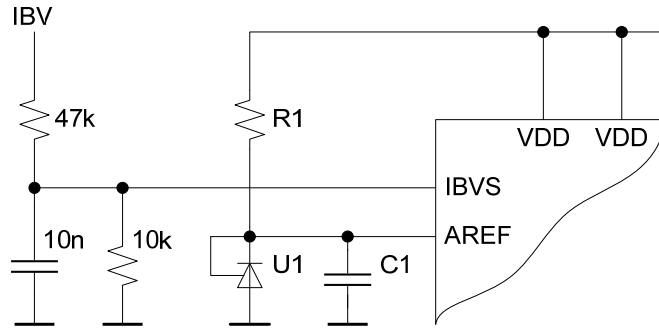


Figure 15. External Voltage Reference Connections

U1 and R1 are additional components. U1 is an industry standard 2.5V voltage reference such as TL431 or similar. C1 is an existing component but its value changes depending on the type of voltage reference. Common voltage reference part numbers and values of associated components are shown in Table 4.

Table 4. Component Values For External Reference

| U1 Part Number | TL431 | ZR431 |
|----------------|-----------|-------------|
| Manufacturer | TI | Zetex |
| Accuracy, % | 0.5, 1, 2 | 0.5, 1, 2 |
| R1, Ohms | 100-620 | 510-2000 |
| C1, μ F | ≥ 10 | ≥ 0.01 |

Accuracy of the protection thresholds in the case of external reference is determined by the sum of accuracy of the voltage reference, accuracy of the 10k/47k resistive divider shown in Figure 15, and conversion error of the internal ADC specified in 8.2.

10.5 POL Group Management

POL converters and Auxiliary Devices can be arranged in up to four groups. A group of POL converters is defined as a number of POL converters with interconnected OK pins. Auxiliary Devices are added to a group in the GUI, without any external connections. A group can include from 1 to 32 POL converters, but a POL converter can be a member of only one group. In addition, the OK lines can be connected to the DPM to facilitate propagation of faults and errors between groups. One DPM can manage up to four independent groups: A, B, C, and D, depending on model of the DPM.

Group management includes fault and error propagation, margining, turn-on and turn-off, monitoring setup, and interrupt configuration.

10.5.1 Fault and Error Propagation

Z-series POL converters protect outputs by triggering either a fault or an error depending on the severity of the problem (see POL converter datasheets). Fault propagation between POL converters belonging to the same group is a programmable function of POL converters. The DPM allows propagating faults and errors between groups of POL converters and, in case of an error, to a DC/DC front-end and an optional crowbar. The propagation delay for fault/error propagations is less than 10µs.

To enable fault and error propagation, the respective bits needs to be checked in the GUI Fault and Error Propagation window shown in Figure 16. Note that cross propagation of faults/errors (means fault in Group X propagates to Y and vice versa) should be avoided.

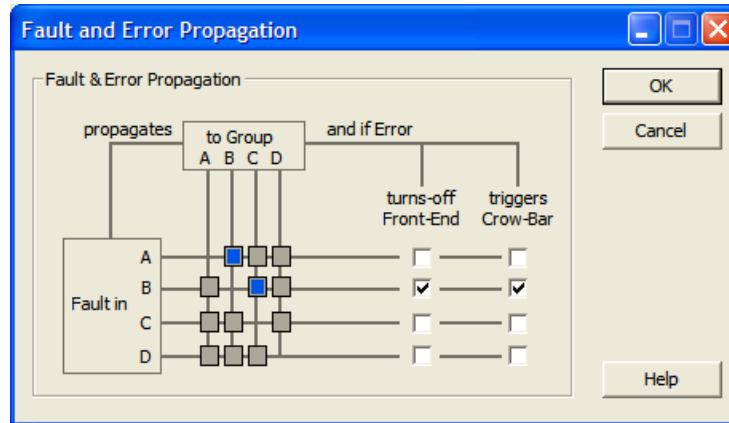


Figure 16. Fault and Error Propagation Window.

The fault propagation from POL converters to the auxiliary devices can be disabled by checking the bit in the Auxiliary Device Fault Management window as shown in Figure 17. It is not possible to propagate a fault from an Auxiliary Device to POL converters.

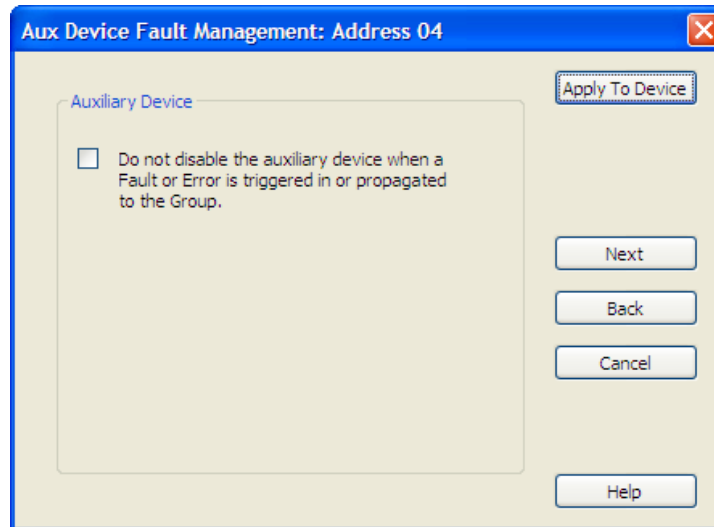


Figure 17. Auxiliary Device Fault Management Window



Table 5. Fault and Error Propagation Scenarios

| Protection Triggered | Propagation Between POLs | Propagation To Auxiliary Devices in the Same Group as the Faulty POL | Propagation To Auxiliary Devices in Other Groups | Propagation Between Groups of POLs | Faulty POL | POLs in the Same Group as the Faulty POL | Auxiliary Devices in the Same Group as the Faulty POL | POLs in Other Groups | Auxiliary Devices in Other Groups |
|----------------------|--------------------------|--|--|------------------------------------|-----------------------------------|--|---|----------------------|-----------------------------------|
| UVP or OTP | Enabled | Disabled | Any | Disabled | Regular turn-off | Regular turn-off | Continue operating | Continue operating | Continue operating |
| UVP or OTP | Enabled | Enabled | Any | Disabled | Regular turn-off | Regular turn-off | Turn-off with turn-off delay | Continue operating | Continue operating |
| UVP or OTP | Enabled | Enabled | Disabled | Enabled | Regular turn-off | Regular turn-off | Turn-off with turn-off delay | Regular turn-off | Continue operating |
| UVP or OTP | Enabled | Enabled | Enabled | Enabled | Regular turn-off | Regular turn-off | Turn-off with turn-off delay | Regular turn-off | Turn-off with turn-off delay |
| Tracking or OCP | Enabled | Disabled | Any | Disabled | Fast turn-off | Regular turn-off | Continue operating | Continue operating | Continue operating |
| Tracking or OCP | Enabled | Enabled | Any | Disabled | Fast turn-off | Regular turn-off | Turn-off with turn-off delay | Continue operating | Continue operating |
| Tracking or OCP | Enabled | Enabled | Disabled | Enabled | Fast turn-off | Regular turn-off | Turn-off with turn-off delay | Regular turn-off | Continue operating |
| Tracking or OCP | Enabled | Enabled | Enabled | Enabled | Fast turn-off | Regular turn-off | Turn-off with turn-off delay | Regular turn-off | Turn-off with turn-off delay |
| OVP or Phase Voltage | Enabled | Disabled | Any | Disabled | Fast turn-off, low side FET is ON | Fast turn-off | Continue operating | Continue operating | Continue operating |
| OVP or Phase Voltage | Enabled | Enabled | Any | Disabled | Fast turn-off, low side FET is ON | Fast turn-off | Turn-off without turn-off delay | Continue operating | Continue operating |
| OVP or Phase Voltage | Enabled | Enabled | Disabled | Enabled | Fast turn-off, low side FET is ON | Fast turn-off | Turn-off without turn-off delay | Regular turn-off | Continue operating |
| OVP or Phase Voltage | Enabled | Enabled | Enabled | Enabled | Fast turn-off, low side FET is ON | Fast turn-off | Turn-off without turn-off delay | Regular turn-off | Turn-off with turn-off delay |





When propagation is enabled, the faulty POL converter pulls its OK pin low. A low OK line initiates turn-off of other POL converters in the group and signals the DPM to pull other OK lines low to initiate turn-off of other POL converters as programmed.

The regular turn-off of a POL converter means that the output voltage is ramping down according to its turn-off delay and falling slew rate settings. If a POL converter triggers an undervoltage or overtemperature fault, it will initiate the regular turn-off. In the case of an overcurrent or tracking fault, the POL converter initiates the fast turn-off by opening both high and low side switches instantaneously. If either output overvoltage or phase voltage errors are triggered, the faulty POL converter initiates the fast turn-off and turns on its low side switch. In addition, when an error is propagated, the DPM can generate commands to turn off a front end (a DC-DC converter generating the intermediate bus voltage) and trigger an optional crowbar protection to accelerate removal of the intermediate bus voltage (IBV).

Once the fault has recovered in the faulty POL converter, the other POL converters will turn on in a controlled manner according to their turn-on delay and rising slew rate settings.

10.5.2 Margining

Margining can be executed separately for each group by clicking an appropriate radio button in the GUI IBS monitoring window shown in Figure 11 or directly via the I²C bus by the margining command. All POL converters in a group are margined in the same direction (up or down) by the percentage programmed individually for each POL converter.

10.5.3 Turn-ON and Turn-Off

Automatic turn-on upon application of the input voltage is enabled by checking the Auto Turn-On bit in the GUI Group Configuration window shown in Figure 10. Turn-on and turn-off of various groups during the operation is controlled from the GUI IBS Monitoring window or directly via the I²C bus by specific commands.

10.5.4 Interrupt Configurations

The DPM has four interrupt inputs that can be programmed to:

- Inhibit the operation of one or several Groups of POL converters when pulled low or
- Act as a Group Reprogramming Trigger.

The two functions are mutually exclusive – an interrupt can be either programmed as an Inhibit or as a Group Reprogramming Trigger.

The interrupts are programmed in the GUI Interrupt Configuration window shown in Figure 18 or directly via the I²C bus by specific commands. In Figure 18 the Interrupt 0 is programmed as the inhibit for group A and the Interrupt 2 is programmed as the group C reprogramming trigger.

10.5.4.1 Group Inhibit

An interrupt input can be programmed to act as an inhibit on a single or multiple groups of POL converters. When the interrupt input is pulled low, the DPM will pull the appropriate OK lines low. The affected POL converters will execute regular turn-off ramping their output voltages down according to the turn-off delay and falling slew rate settings. Once the interrupt is released, the POL converters will automatically turn-on according to their turn-on delay and rising slew rates settings.





The inhibit function can be used for a variety of applications, such as

- Hardware-based control of groups of POL converters and Auxiliary Devices
- Delayed turn-on at power-up (Automatic Turn-On is enabled but the interrupts are held low during power-up. Note that POL converters can be programmed even when an interrupt is held low.)

The interrupt inputs should be controlled with open collector devices. The propagation delay between the external device pulling the interrupt input low and the DPM pulling down OK lines and triggering the turn-off process is approximately 10 μ s.

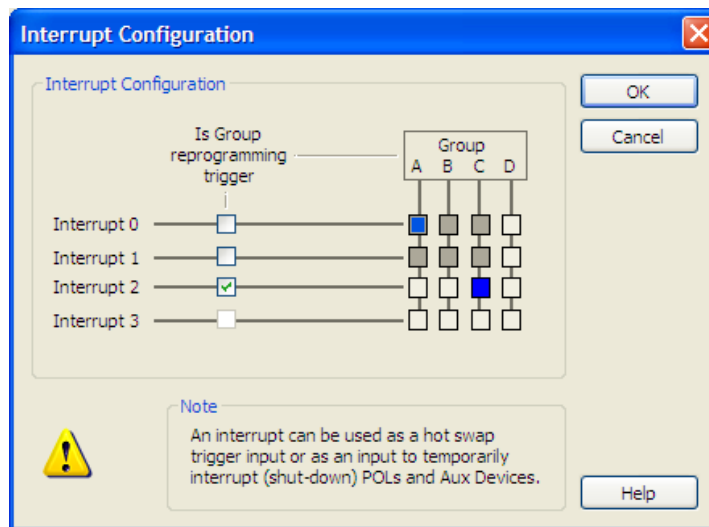


Figure 18. Interrupt Configuration Window

10.5.4.2 Group Reprogramming Trigger

An interrupt that is programmed as a group reprogramming trigger always acts only on one group of POL converters. Interrupt 0 acts on Group A, Interrupt 1 acts on Group B and so on. The assignment is fixed and cannot be changed by the user.

When the interrupt is pulled low, the DPM will program the group of POL converters. Upon completion of the programming, the DPM will turn-on the POL converters, if the Auto Turn-On is enabled. When the interrupt input is released, the DPM will pull the appropriate OK line low. The POL converters in the group will execute regular turn-off ramping their output voltages down according to the turn-off delay and falling slew rate settings. In addition, the DPM will clear all bits in the POL Programming Status registers.

The group reprogramming trigger is mostly used to support hot swap of boards and daughter cards that do not have a DPM installed on them as shown in Figure 19.

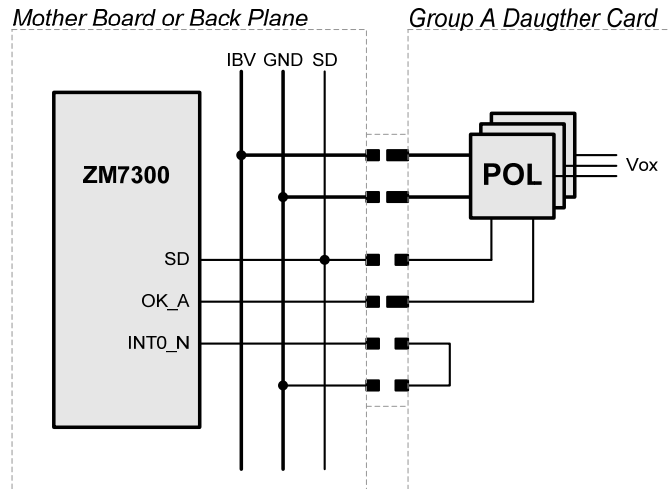


Figure 19: INT0 Configured as Group A Reprogramming Trigger

In this configuration the Interrupt 0 (INT0_N) is configured as the group A reprogramming trigger. The DPM is installed on a mother board or a backplane. A daughter card with a group of POL converters is being inserted in the system during normal operation. At first, the long pins carrying power and the OK_A line signal make contact. Then the short pins carrying the SD and interrupt signals make contact. Once the interrupt senses low input voltage, it will command the DPM to program all POL converters in the group A. Upon completion of the programming, the DPM will turn-on the POL converters, if the Auto Turn-On is enabled.

When the daughter card is being removed, the interrupt input is released as soon as the short pins break the contact. The DPM will immediately pull the OK_A line low turning off all POL converters in the group A according to the turn-off delay and falling slew rate settings.

10.6 Controls

10.6.1 ACFAIL_N and RES_N

The ACFAIL_N and RES_N are active low digital inputs. When one of the inputs is pulled low, the DPM will pull all OK lines low turning off all the POL converters and the Auxiliary Devices in all groups. The POL converters will execute regular turn-off ramping their output voltages down according to the turn-off delay and falling slew rate settings. In addition, the DPM will clear all bits in the POL Programming Status Registers and save the contents of the Run Time Counter into the non-volatile memory. The AC_FAIL in or RES_N in bit in the IBS Monitoring Window will change to red. When the input is released, the DPM will first program all POL converters and then turn them on, if the Auto Turn-On is enabled. Otherwise, the user will need to send the turn-on command via the I²C bus.

The ACFAIL_N is typically connected to an AC-DC front end. Whenever the AC voltage disappears, the ACFAIL_N signal will be set low. If there is no battery backup, it usually means the DC output will disappear after 20ms. If the turn-off delays and falling slew rates of each POL converter are set to the values such that all POL converters will have fully turned off within the hold time of the AC-DC front end, then output voltage tracking during turn-off is guaranteed.

The RES_N input has the same functionality as the ACFAIL_N input and can be connected to a simple turn on/off switch or to a sensor that shuts the entire system down when it is activated.



The ACFAIL_N and RES_N inputs should be controlled with open collector devices. The propagation delay between the external device pulling the input low and the DPM pulling down OK lines and triggering the turn-off process is approximately 1ms.

10.6.2 Front End Enable

The FE_EN pin is dedicated to the control of a DC-DC Front End. The Front End is typically used to convert the 48V into the intermediate bus voltage (IBV). If the DPM is powered from an auxiliary source, not from the IBV, it can control the DC-DC Front End.

When FE_EN is internally pulled up to 3.3V, the Front End is enabled. The FE_EN output can provide up to 5mA of current. When the FE_EN goes low, the Front End is disabled. The Front End can be enabled and disabled via the GUI IBS Monitoring Window or directly via the I²C bus using specific commands.

The FE_EN pin should not be directly connected to the Enable pin of the DC-DC Front End. Typically, the Enable pin is referenced to the primary side of the Front End that is isolated from the low voltage secondary side. In addition, the Enable pin can be pulled up internally to a voltage potentially damaging to the DPM FE_EN output. The best method is to interface the DPM with the Front End through an optocoupler as shown in Figure 20. This configuration provides interface for negative logic front ends.

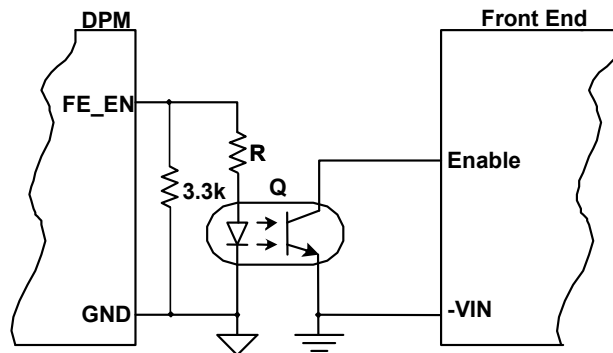


Figure 20. Interface Between DPM and DC-DC Front End

10.6.3 Crowbar

When the crowbar protection is enabled, the CB pin is internally pulled up to 3.3V for 1ms. It is capable of supplying 5mA to turn on a crowbar circuit.

10.6.4 HRES_N

The HRES_N is an active low digital input. When it is pulled low, the DPM will perform full hardware reset including processor, memory, and communication interface. The POL converters and auxiliary devices will be turned off although sequencing and tracking during the turn-off are not guaranteed. Communication with a host processor or GUI (if established) will be lost. When the input is released, the DPM will first program all POL converters and then turn them on, if the Auto Turn-On is enabled.

Unlike all other I/O pins on the ZM7300 DPM, the HRES_N does not have an internal ESD protection diode connected to VDD. Therefore, it is necessary to add the diode externally as shown in Figure 3.





The HRES_N function is intended as an emergency reset and except as indicated below, should not be used in normal system operation.

It is **necessary** to use an external reset circuit (see Fig. 3) to hold the HRES_N line low until the VDD supply reaches steady state conditions. Power-One Inc. successfully tested the On-Semi voltage detector p/n NCP303LSN27T1 although other similar devices can also be utilized. Alternatively, the HW_RES pin can be connected to the output of a CPLD (or similar device) and controlled via the system supervisory circuitry.

10.7 Communication Interfaces

10.7.1 I²C Interface

The ZM7300 series DPMs have the industry standard I²C interface fully meeting the requirements of the I2C -Bus Specification Version 2.1 from Philips Semiconductors. The I²C interface is working in the following configurations:

- standard (100kbs) and fast (400kbs) data transfer rates
- 7-bit addressing: 4 MSBs fixed, 3 LSBs programmable by ADDR[2:0]. The address prefix of the ZM7300 is 0x50. This allows encoding DPM addresses 0x50, 0x52, ..., 0x5E (Bit0 is the read/write bit)

The DPM always acts as the I²C slave while the host processor always acts as the I²C master. Refer to the “DPM Programming Manual” for the detailed description of the I²C communications.

Note: It is recommended to use Power-One’s ZM00056-KIT USB to I²C Adapter kit for the communication between a DPM and a computer with the Z-One Graphical User Interface

10.7.1.1 Watchdog Timer

In order to prevent occasional hanging of the I²C bus, a watchdog timer is started whenever an I²C command is initiated. If the command is not executed before the watchdog times out, the DPM will assume that the I²C bus is in an error condition (e.g. the SCL or SDA lines are pulled low continuously) and it will reset the I²C bus. The watchdog timeout is 1000ms. Since the watchdog function is not a part of the standard I²C specifications, it can be disabled by the user.

10.7.2 JTAG Interface

The ZM7300 series DPMs feature the JTAG interface that can be used for programming the DPM with user-specific configuration settings. JTAG boundary-scan capabilities are not currently supported.

JTAG-programmable DPMs have unique 5-digit identifiers listed in Table 6.

Table 6. JTAG Programmable DPM Part Numbers

| Base Part Number | 5- digit identifier |
|------------------|---------------------|
| ZM7304G | 65505 |
| ZM7308G | 65506 |
| ZM7316G | 65507 |
| ZM7332G | 65508 |



Only the DPM part numbers listed in the table can be programmed via the JTAG interface.

Note: The DPMs can be programmed via the JTAG only once. After initial programming via the JTAG, the DPMs may be reprogrammed via I²C as necessary

10.7.2.1 SVF File

In order to program a DPM via the JTAG interface, the Serial Vector Format (SVF) file needs to be generated. Click Generate SVF button in the System Configuration window shown in Figure 9. It will open the SVF Generator window shown in Figure 21.

The window allows specifying the location of the target DPM in the JTAG chain and setting delays to generate the appropriate Serial Vector Format file. The resulting file is used to program the DPMs through the JTAG interface.

Refer to “Programming ZM7300 DPMs via JTAG Interface” Application Note for more details.

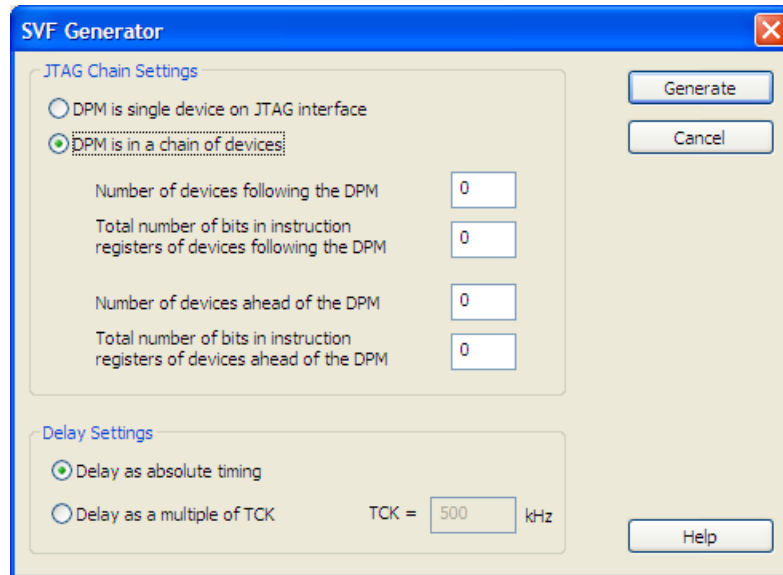


Figure 21. SVF File Generator Window

10.7.2.2 JTAG Instructions

ZM7300 series DPMs support only BYPASS and IDCODE instructions defined by IEEE 1149.1. SAMPLE/PRELOAD and EXTEST instructions are not currently supported. Summary of the supported instructions is shown in Table 7.

Table 7. JTAG Instructions

| Instruction | OPCODE | Register | Function |
|-------------|--------|----------|---|
| BYPASS | 1111 | Bypass | Places the 1-bit bypass register between the TDI and TDO pins, which allows the BST data to pass synchronously through the DPM to other devices in the JTAG chain |
| IDCODE | 0001 | JTAG ID | Selects the ID register and places it between the TDI and TDO |

Note: The Instruction Register is 4-bit wide



10.7.2.3 Identification Register

Format and contents of the JTAG Identification Register are shown in Table 8.

Table 8. JTAG ID Register

| | MSB | | | LSB | | | |
|-------------|---------|----|------------------|-----|-------------------------|---|---|
| Bit | 31 | 28 | 27 | 12 | 11 | 1 | 0 |
| Description | Version | | Part Number | | Manufacturer's Identity | | 1 |
| Contents | 0000 | | 1001010100000010 | | 00000011111 | | 1 |





11 Pinout Table

| Pin Name | Pin No. | Pin Type | Buffer Type | Pin Description | Notes |
|----------------------------------|--|----------|-------------|------------------------------------|--|
| VDD | 6, 25, 42, 57, 60 | Supply | --- | Positive Supply | |
| VSS | 8, 9, 26 38, 43, 58 | Supply | --- | Ground | |
| SD | 56 | I/O | ST/OCPU | Sync-Data Line | |
| OKA OKB OKC OKD | 11 13 20 53 | I/O | ST/OCPU | OK Lines | |
| FE_EN | 17 | O | CMOS | Front-End Enable | |
| CB | 23 | O | CMOS | Crowbar Trigger | |
| SDA | 30 | I/O | ST/OC | I ² C Interface | |
| SCL | 27 | I/O | ST/OC | I ² C Interface | |
| ADDR0 ADDR1 ADDR2 | 47 46 45 | I | STPU | I ² C Interface Address | |
| IN0_N IN1_N IN2_N IN3_N | 41 40 37 36 | I | STPU | Interrupts | |
| TCK TMS TDO TDI | 31 32 33 34 | | | JTAG Interface | Leave open, if JTAG interface is not utilized |
| EN0 EN1 EN2 EN3 | 5 7 55 50 | O | CMOS | Auxiliary Device Enables | |
| PG0 PG1 PG2 PG3 | 54 52 51 49 | I | STPU | Auxiliary Device Power Good | |
| RES_N | 18 | I | STPU | System Soft Reset | |
| ACFAIL_N | 16 | I | STPU | AC-Fail Trigger | |
| LCK_N | 61 | I | STPU | Write Protect Lock | |
| HRES_N | 4 | I | STPU | Cold Reset | See important usage instructions in paragraph 10.6.4 |
| IBVS | 48 | I | A | Intermediate Bus Voltage Sense | |
| AREF | 44 | - | A | Analog Reference | |
| IR | 63 | | | Internal Reset | Connect to VSS via 10k |
| nc | 1, 2, 3, 10, 12, 14, 15, 19, 21, 22, 24, 28, 29, 35, 39, 59, 62, 64 | - | - | No Connect | Leave floating |

Legend: I=input, O=output, I/O=input/output, P=power, ST=Schmitt-trigger, OCPU=open collector with pull-up, OC=open collector, CMOS=CMOS output stage, STPU=Schmitt-trigger with pull-up, A=analog





12 Pins Description

ACFAIL_N, AC Fail Input (Pin 16): Schmitt-Trigger input with internal pull-up resistor (active low). Pulling low the input indicates to the DPM that an AC-DC front-end has lost the mains and that a system shut down should immediately be initiated.

ADDR[0:2], I²C Address Inputs (Pins 47, 46, 45): Inputs with internal pull-up resistor. The 3 bit encoded address determines the DPM communication address for the I²C interface.

AREF, Analog Reference (Pin 44): An analog reference which is used internally. A 10nF capacitor should be connected as close as possible to the package between AREF and VSS. See 10.4.4.1.

CB, Crowbar Output (Pin 23): A CMOS output which is used to trigger a crowbar (SCR) in case of overvoltage on the Intermediate Voltage Bus.

EN[0:3], Enable Outputs for Auxiliary Devices (Pins 5, 7, 55, 50): CMOS outputs to control Auxiliary Devices like linear regulators, analog POLs, fans or other devices.

FE_EN, Front-End Enable (Pin 17): A CMOS output which is used to turn-on/off the DC/DC converter generating the IBV.

HRES_N, Hardware Reset (Pin 4): Input with internal pull-up resistor. When pulled low a cold start of the Digital Power Manager is initiated. Refer to paragraph 10.6.4 for important information regarding connections of this pin.

IBVS, Intermediate Voltage Bus Sense (Pin 48): Analog input to an internal ADC circuit to measure the Intermediate Bus Voltage. The full scale range of the input is 2.56V and the IBV should be scaled down by a factor of 5.7 for proper reporting of the IBV with the Z-ONE™ GUI.

INT[0:3], Interrupts (Pins 41, 40, 37, 36): Four active low inputs with internal pull-ups. Each of the inputs can be configured for two functions: first, the interrupt input acts on the OK line(s) to stop momentarily the operation of group of POLs and Auxiliary Devices, second the interrupt can be used as a hot swap trigger. In this function the interrupt input triggers the programming of a group. When

released, POLs are assumed to be disconnected from the DPM.

IR, Internal Reset (Pin 63): Connect to VSS via a 10kOhm resistor.

LCK_N, Memory Lock (Pin 61): Active low input with internal pull-up. When LCK_N is pulled low, all memory within the DPM is write-protected. The write protection cannot be disabled by software.

OKA, OKB, OKC, OKD, Group OK Signals (Pins 11, 13, 20, 53): An open drain input/output with internal pull-up resistor. Pulling low the OK input will indicate to the DPM a fault in a Group, the DPM can also pull an OK line low to disable a Group.

PG[0:3], Power Good (Pins 54, 52, 51, 49): Input with internal pull-up resistor. The pin is used to read the status of an Auxiliary Device.

RES_N, Active Low Reset In/Out (Pin 18): Input with internal pull-up resistor. When pulled low a soft reset of the system (sequenced turned off of all POLs and Auxiliary Devices) is initiated. When released the whole system is reprogrammed and started if necessary.

SD, Sync Data Line (Pin 56): An open drain input / output with internal pull-up resistor. Communication line to distribute a master clock to all converters and at the same time to communicate with all POLs.

JTAG Interface (Pins 34, 33, 32, 31): Connect to a JTAG IEEE-1149.1-compliant programmer supporting SVF files or leave open, if not used.

VDD, Positive Supply (Pins 6, 25, 42, 57, 60): Supply voltage. At least 4x100nF decoupling capacitors should be connected between VDD and VSS pins. All VDD pins must be connected.

VSS, Ground (Pins 8, 9, 26, 38, 43, 58): Ground. Decoupling capacitors need to be connected as close as possible to the pins. All VSS pins must be connected.

nc, No Connect (Pin 1, 2, 3, 10, 12, 14, 15, 19, 21, 22, 24, 28, 29, 35, 39, 59, 62, 64): All nc pins must remain floating.

13 Mechanical Drawings

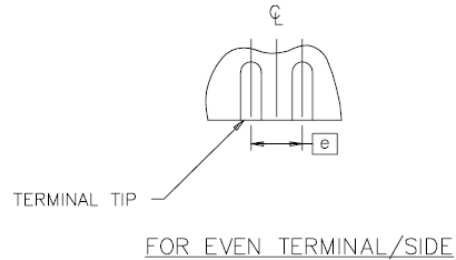
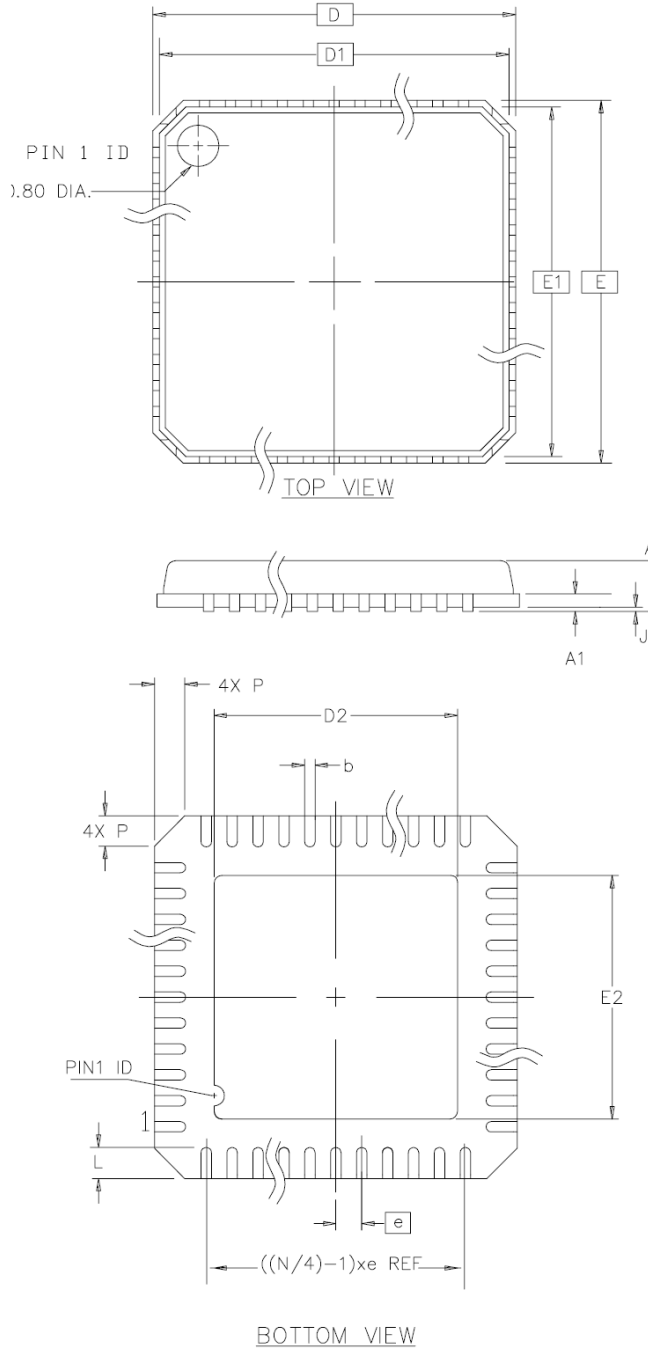


Figure 23. ZM7300 Terminals

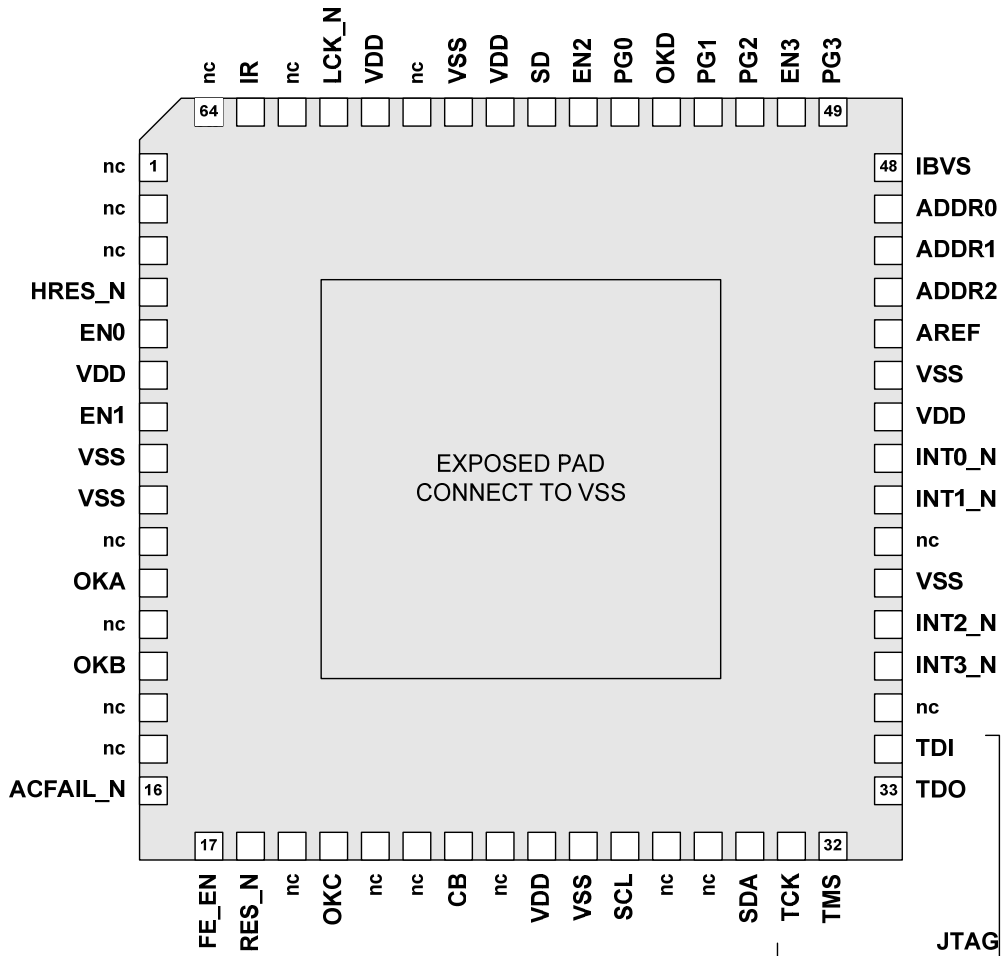
| | mm | | | inch | | |
|-------|----------|------|------|-----------|-------|-------|
| | MIN | NOM | MAX | MIN | NOM | MAX |
| A | 0.80 | - | 1.00 | 0.032 | - | 0.040 |
| J | 0.0 | 0.01 | 0.05 | 0.000 | | 0.002 |
| A1 | 0.20 ref | | | 0.008 ref | | |
| D/E | 9.00 BSC | | | 0.354 BSC | | |
| D1/E1 | 8.75 BSC | | | 0.344 BSC | | |
| D2/E2 | 4.50 | 4.70 | 4.90 | 0.177 | 0.185 | 0.193 |
| N | 64 | | | | | |
| P | 0.24 | 0.42 | 0.60 | 0.009 | 0.016 | 0.024 |
| e | 0.50 BSC | | | 0.020 BSC | | |
| L | 0.30 | 0.40 | 0.55 | 0.012 | 0.016 | 0.022 |
| b | 0.18 | 0.25 | 0.30 | 0.007 | 0.010 | 0.012 |

Notes

1. Compliant to JEDEC standard MO-220 variation VMMD-3

Compliant JEDEC MO-220

Figure 22. ZM7300 Mechanical Drawing



Note:
 - all "nc" - pins must remain floating
 - all "VSS" - pins need to be connected together
 - all "VDD" - pins need to be connected together

Figure 24. ZM7300 Mechanical Drawing – Top View

1. NUCLEAR AND MEDICAL APPLICATIONS - Power-One products are not designed, intended for use in, or authorized for use as critical components in life support systems, equipment used in hazardous environments, or nuclear control systems without the express written consent of the respective divisional president of Power-One, Inc.
2. TECHNICAL REVISIONS - The appearance of products, including safety agency certifications pictured on labels, may change depending on the date manufactured. Specifications are subject to change without notice.

I²C is a trademark of Philips Corporation.



Компания «ЭлектроПласт» предлагает заключение долгосрочных отношений при поставках импортных электронных компонентов на взаимовыгодных условиях!

Наши преимущества:

- Оперативные поставки широкого спектра электронных компонентов отечественного и импортного производства напрямую от производителей и с крупнейших мировых складов;
- Поставка более 17-ти миллионов наименований электронных компонентов;
- Поставка сложных, дефицитных, либо снятых с производства позиций;
- Оперативные сроки поставки под заказ (от 5 рабочих дней);
- Экспресс доставка в любую точку России;
- Техническая поддержка проекта, помощь в подборе аналогов, поставка прототипов;
- Система менеджмента качества сертифицирована по Международному стандарту ISO 9001;
- Лицензия ФСБ на осуществление работ с использованием сведений, составляющих государственную тайну;
- Поставка специализированных компонентов (Xilinx, Altera, Analog Devices, Intersil, Interpoint, Microsemi, Aeroflex, Peregrine, Syfer, Eurofarad, Texas Instrument, Miteq, Cobham, E2V, MA-COM, Hittite, Mini-Circuits, General Dynamics и др.);

Помимо этого, одним из направлений компании «ЭлектроПласт» является направление «Источники питания». Мы предлагаем Вам помощь Конструкторского отдела:

- Подбор оптимального решения, техническое обоснование при выборе компонента;
- Подбор аналогов;
- Консультации по применению компонента;
- Поставка образцов и прототипов;
- Техническая поддержка проекта;
- Защита от снятия компонента с производства.



Как с нами связаться

Телефон: 8 (812) 309 58 32 (многоканальный)

Факс: 8 (812) 320-02-42

Электронная почта: org@eplast1.ru

Адрес: 198099, г. Санкт-Петербург, ул. Калинина, дом 2, корпус 4, литера А.