

## N-channel 650 V, 0.335 $\Omega$ typ., 10 A MDmesh™ M5 Power MOSFET in a PowerFLAT™ 5x6 HV package

Datasheet - production data

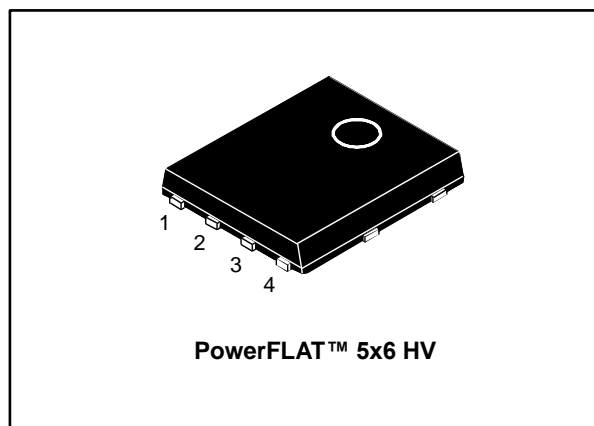
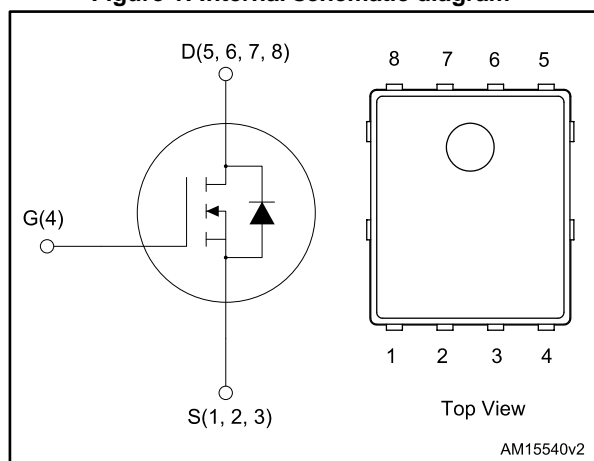


Figure 1: Internal schematic diagram



### Features

Order code	V <sub>DS</sub> @ T <sub>J</sub> max.	R <sub>DS(on)</sub> max	I <sub>D</sub>
STL15N65M5	710 V	0.375 $\Omega$	10 A

- Extremely low R<sub>DS(on)</sub>
- Low gate charge and input capacitance
- Excellent switching performance
- 100% avalanche tested

### Applications

- Switching applications

### Description

This device is an N-channel Power MOSFET based on the MDmesh™ M5 innovative vertical process technology combined with the well-known PowerMESH™ horizontal layout. The resulting product offers extremely low on-resistance, making it particularly suitable for applications requiring high power and superior efficiency.

Table 1: Device summary

Order code	Marking	Package	Packing
STL15N65M5	15N65M5	PowerFLAT™ 5x6 HV	Tape and reel

---

## Contents

<b>1</b>	<b>Electrical ratings .....</b>	<b>3</b>
<b>2</b>	<b>Electrical characteristics .....</b>	<b>4</b>
	2.1 Electrical characteristics (curves) .....	6
<b>3</b>	<b>Test circuits .....</b>	<b>9</b>
<b>4</b>	<b>Package information .....</b>	<b>10</b>
	4.1 Power Flat™ 5x6 HV package information .....	11
	4.2 Power Flat™ 5x6 HV packing information.....	13
<b>5</b>	<b>Revision history .....</b>	<b>15</b>

# 1 Electrical ratings

Table 2: Absolute maximum ratings

Symbol	Parameter	Value	Unit
V <sub>DS</sub>	Drain-source voltage	650	V
V <sub>GS</sub>	Gate-source voltage	± 25	V
I <sub>D</sub>	Drain current (continuous) at T <sub>C</sub> = 25 °C	10	A
I <sub>D</sub>	Drain current (continuous) at T <sub>C</sub> = 100 °C	5	A
I <sub>DM</sub> <sup>(1)</sup>	Drain current (pulsed)	40	A
P <sub>TOT</sub>	Total dissipation at T <sub>C</sub> = 25 °C	52	W
I <sub>AR</sub>	Avalanche current, repetitive or not-repetitive (pulse width limited by T <sub>j</sub> max)	2.5	A
E <sub>AS</sub>	Single pulse avalanche energy (starting T <sub>j</sub> = 25 °C, I <sub>D</sub> = I <sub>AR</sub> , V <sub>DD</sub> = 50 V)	160	mJ
dv/dt <sup>(2)</sup>	Peak diode recovery voltage slope	15	V/ns
T <sub>stg</sub>	Storage temperature range	- 55 to 150	°C
T <sub>j</sub>	Operating junction temperature range		°C

**Notes:**

<sup>(1)</sup>Pulse width limited by safe operating area.

<sup>(2)</sup>I<sub>SD</sub> ≤ 10 A, di/dt ≤ 400 A/μs, V<sub>DS(peak)</sub> ≤ V<sub>(BR)DSS</sub>, V<sub>DD</sub> = 400 V.

Table 3: Thermal data

Symbol	Parameter	Value	Unit
R <sub>thj-case</sub>	Thermal resistance junction-case	2.4	°C/W
R <sub>thj-pcb</sub> <sup>(1)</sup>	Thermal resistance junction-pcb	59	°C/W

**Notes:**

<sup>(1)</sup>When mounted on 1inch<sup>2</sup> FR-4 board, 2 oz Cu.

## 2 Electrical characteristics

( $T_C = 25\text{ °C}$  unless otherwise specified)

**Table 4: On /off states**

Symbol	Parameter	Test conditions	Min.	Typ.	Max.	Unit
$V_{(BR)DSS}$	Drain-source breakdown voltage	$I_D = 1\text{ mA}$ , $V_{GS} = 0\text{ V}$	650			V
$I_{DSS}$	Zero gate voltage drain current	$V_{DS} = 650\text{ V}$			1	$\mu\text{A}$
		$V_{DS} = 650\text{ V}$ , $T_C = 125\text{ °C}$ <sup>(1)</sup> , $V_{GS} = 0\text{ V}$			100	$\mu\text{A}$
$I_{GSS}$	Gate-body leakage current	$V_{GS} = \pm 25\text{ V}$ , $V_{DS} = 0$			$\pm 100$	nA
$V_{GS(th)}$	Gate threshold voltage	$V_{DS} = V_{GS}$ , $I_D = 250\text{ }\mu\text{A}$	3	4	5	V
$R_{DS(on)}$	Static drain-source on- resistance	$V_{GS} = 10\text{ V}$ , $I_D = 5\text{ A}$		0.335	0.375	$\Omega$

**Notes:**

<sup>(1)</sup>Defined by design, not subject to production test.

**Table 5: Dynamic**

Symbol	Parameter	Test conditions	Min.	Typ.	Max.	Unit
$C_{iss}$	Input capacitance	$V_{DS} = 100\text{ V}$ , $f = 1\text{ MHz}$ , $V_{GS} = 0\text{ V}$	-	816	-	pF
$C_{oss}$	Output capacitance		-	23	-	pF
$C_{rss}$	Reverse transfer capacitance		-	2.6	-	pF
$C_{o(tr)}$ <sup>(1)</sup>	Equivalent capacitance time related	$V_{DS} = 0\text{ to }520\text{ V}$ , $V_{GS} = 0\text{ V}$	-	70	-	pF
$C_{o(er)}$ <sup>(2)</sup>	Equivalent capacitance energy related		-	21	-	pF
$R_G$	Intrinsic gate resistance	$f = 1\text{ MHz}$ open drain	-	5	-	$\Omega$
$Q_g$	Total gate charge	$V_{DD} = 520\text{ V}$ , $I_D = 5.5\text{ A}$ , $V_{GS} = 10\text{ V}$ (see <a href="#">Figure 16: "Test circuit for gate charge behavior"</a> )	-	22	-	nC
$Q_{gs}$	Gate-source charge		-	5.5	-	nC
$Q_{gd}$	Gate-drain charge		-	11	-	nC

**Notes:**

<sup>(1)</sup> $C_{oss}$  eq. time related is defined as a constant equivalent capacitance giving the same charging time as  $C_{oss}$  when  $V_{DS}$  increases from 0 to 80 %  $V_{DSS}$ .

<sup>(2)</sup> $C_{oss}$  eq. energy related is defined as a constant equivalent capacitance giving the same stored energy as  $C_{oss}$  when  $V_{DS}$  increases from 0 to 80 %  $V_{DSS}$ .

Table 6: Switching times

Symbol	Parameter	Test conditions	Min.	Typ.	Max	Unit
$t_{d(V)}$	Voltage delay time	$V_{DD} = 400\text{ V}$ , $I_D = 7\text{ A}$ , $R_G = 4.7\ \Omega$ , $V_{GS} = 10\text{ V}$ (see <a href="#">Figure 17: "Test circuit for inductive load switching and diode recovery times"</a> and <a href="#">Figure 20: "Switching time waveform"</a> )	-	30	-	ns
$t_{r(V)}$	Voltage rise time		-	8	-	ns
$t_{f(I)}$	Current fall time		-	11	-	ns
$t_{c(off)}$	Crossing time		-	12.5	-	ns

Table 7: Source drain diode

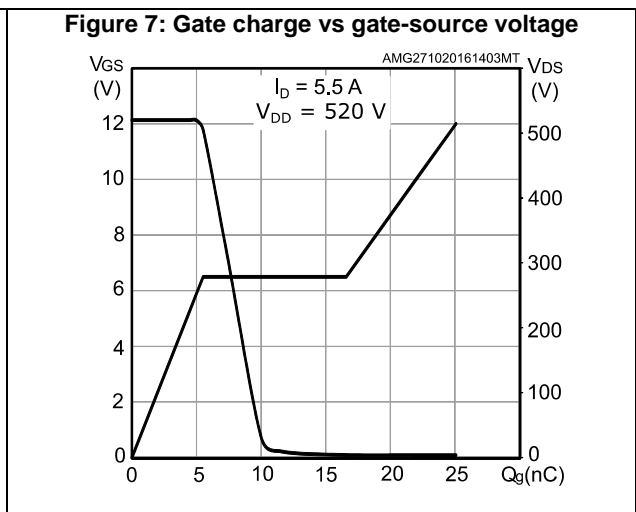
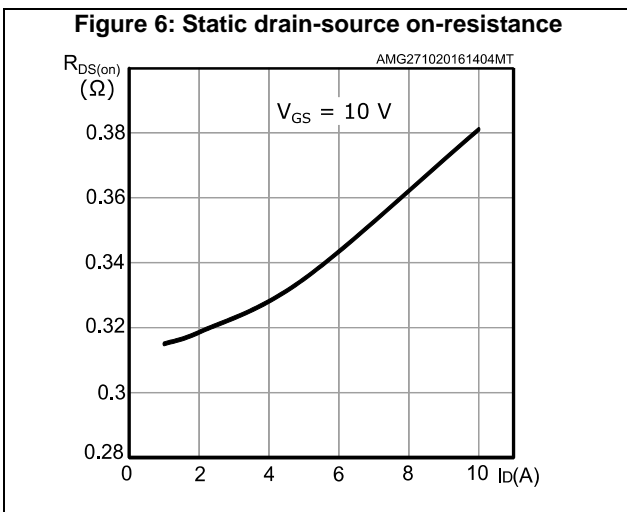
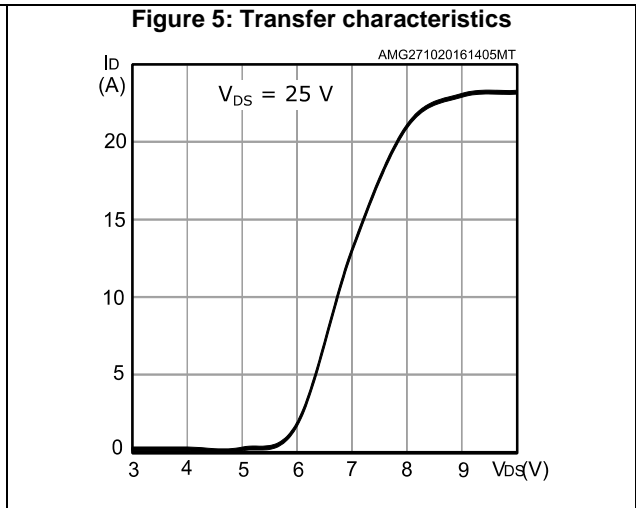
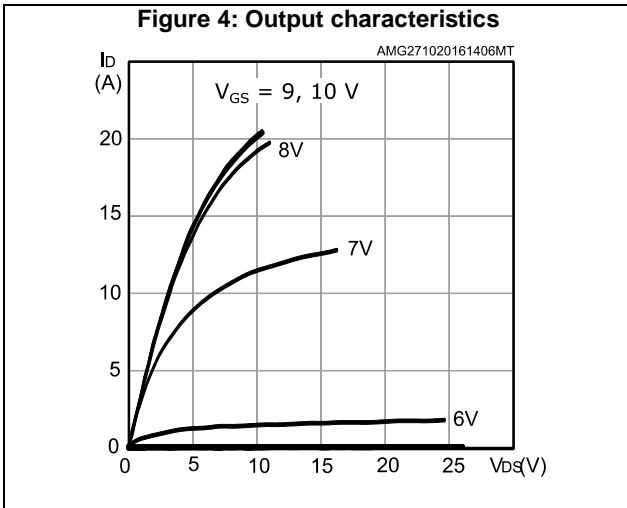
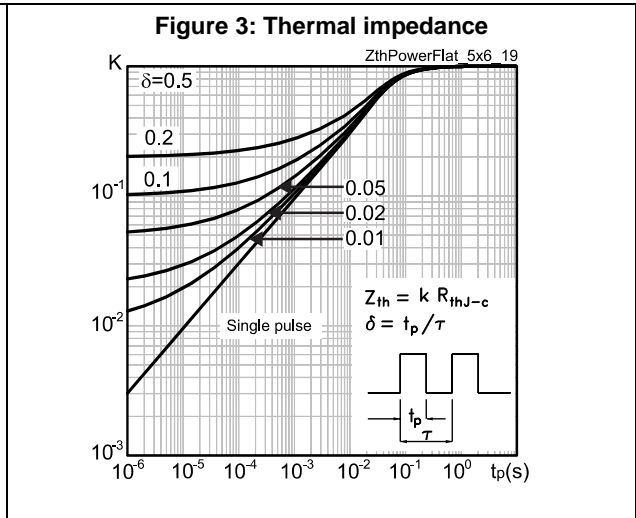
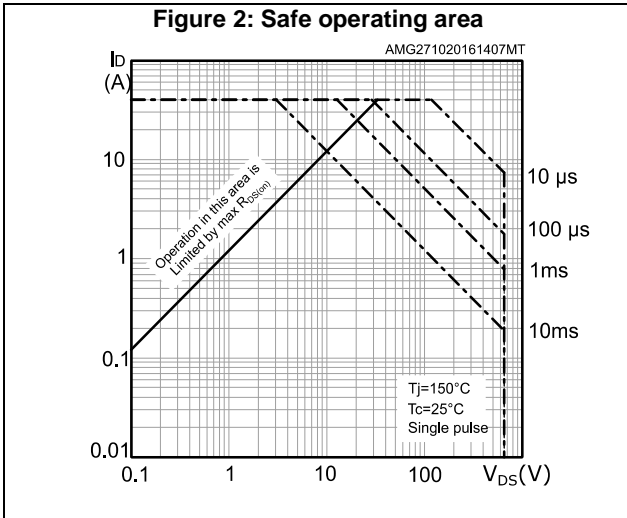
Symbol	Parameter	Test conditions	Min.	Typ.	Max.	Unit
$I_{SD}$	Source-drain current		-		10	A
$I_{SDM}^{(1)}$	Source-drain current (pulsed)		-		40	A
$V_{SD}^{(2)}$	Forward on voltage	$I_{SD} = 10\text{ A}$ , $V_{GS} = 0$	-		1.5	V
$t_{rr}$	Reverse recovery time	$I_{SD} = 10\text{ A}$ , $di/dt = 100\text{ A}/\mu\text{s}$ $V_{DD} = 100\text{ V}$ (see <a href="#">Figure 17: "Test circuit for inductive load switching and diode recovery times"</a> )	-	244		ns
$Q_{rr}$	Reverse recovery charge		-	2.35		$\mu\text{C}$
$I_{RRM}$	Reverse recovery current		-	19.2		A
$t_{rr}$	Reverse recovery time	$I_{SD} = 10\text{ A}$ , $di/dt = 100\text{ A}/\mu\text{s}$ $V_{DD} = 100\text{ V}$ , $T_j = 150\text{ }^\circ\text{C}$ (see <a href="#">Figure 17: "Test circuit for inductive load switching and diode recovery times"</a> )	-	308		ns
$Q_{rr}$	Reverse recovery charge		-	2.93		$\mu\text{C}$
$I_{RRM}$	Reverse recovery current		-	19		A

**Notes:**

(1)Pulse width limited by safe operating area.

(2)Pulsed: pulse duration = 300  $\mu\text{s}$ , duty cycle 1.5 %.

## 2.1 Electrical characteristics (curves)



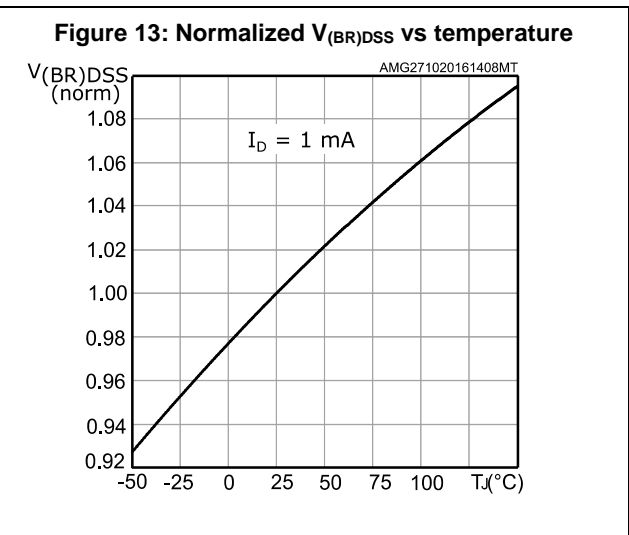
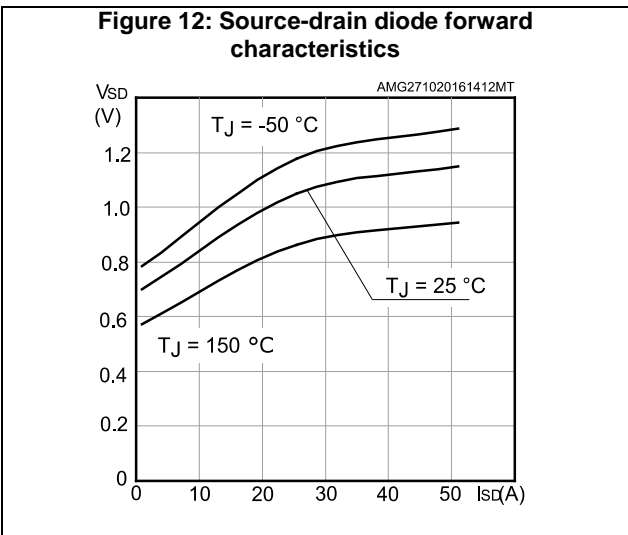
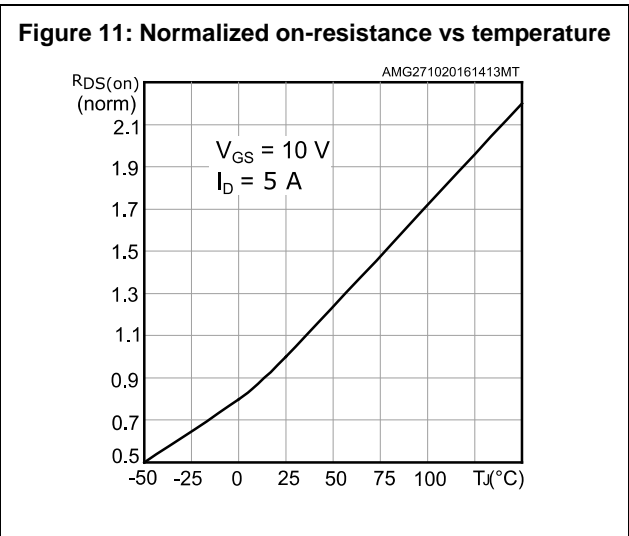
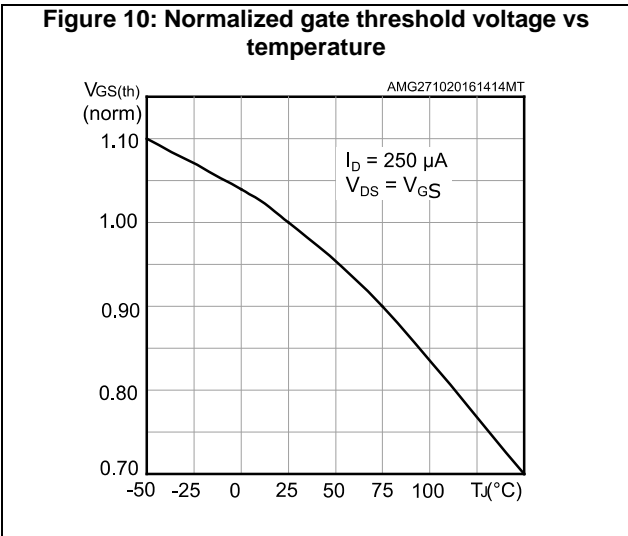
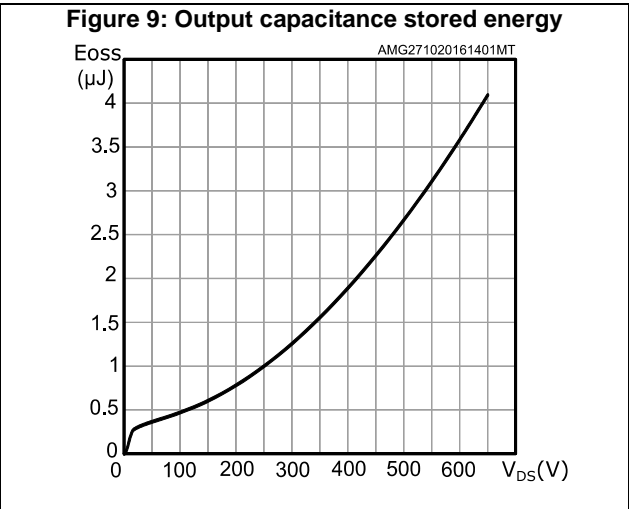
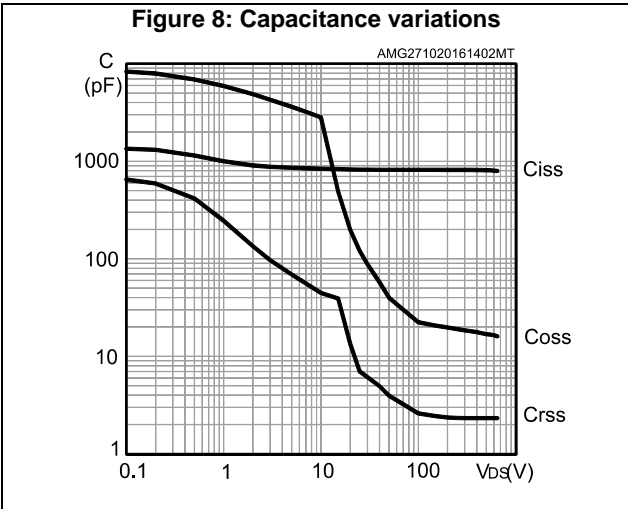
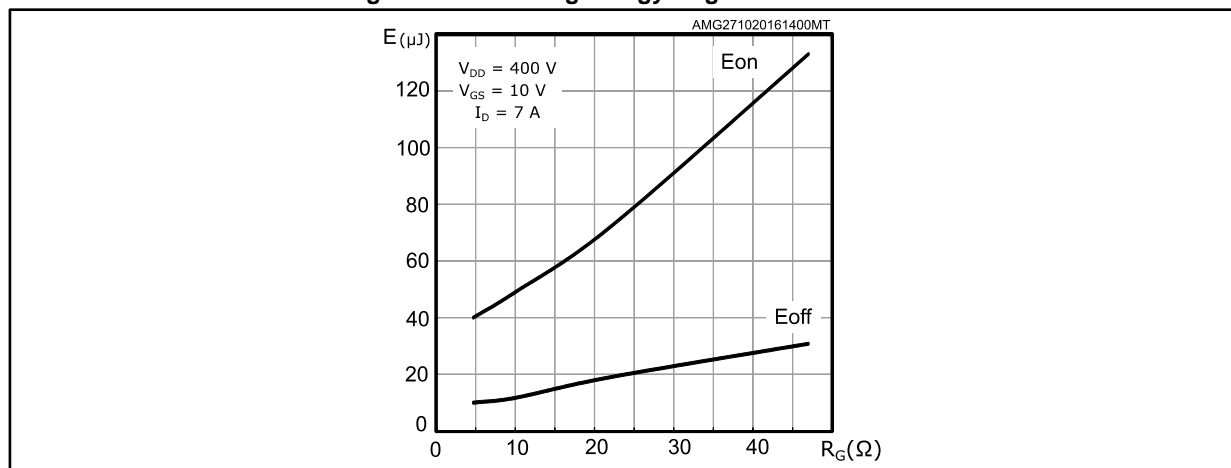


Figure 14: Switching energy vs gate resistance<sup>(1)</sup>



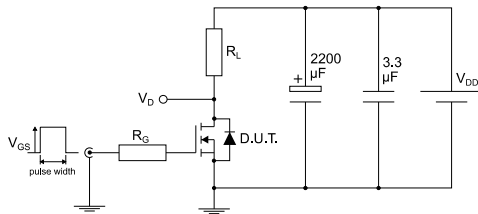
**Notes:**

<sup>(1)</sup> $E_{on}$  including reverse recovery of a SiC diode.



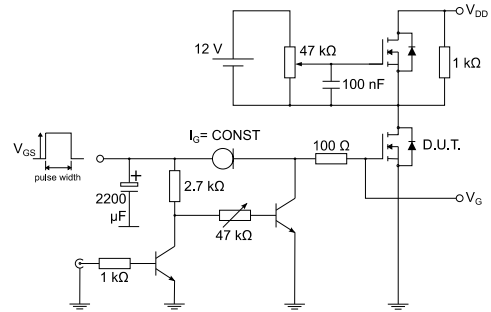
### 3 Test circuits

**Figure 15: Test circuit for resistive load switching times**



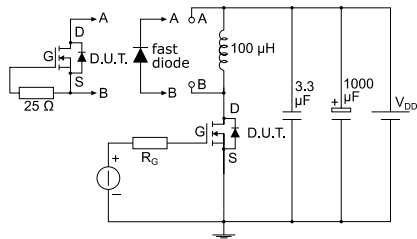
AM01468v1

**Figure 16: Test circuit for gate charge behavior**



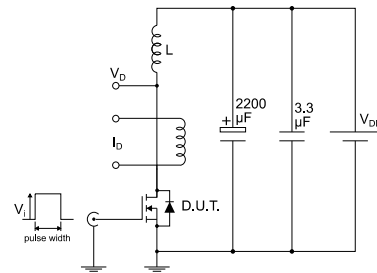
AM01469v1

**Figure 17: Test circuit for inductive load switching and diode recovery times**



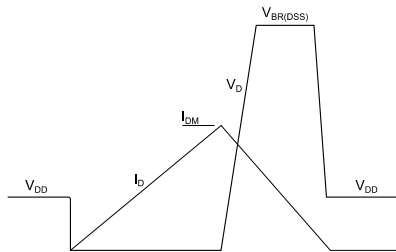
AM01470v1

**Figure 18: Unclamped inductive load test circuit**



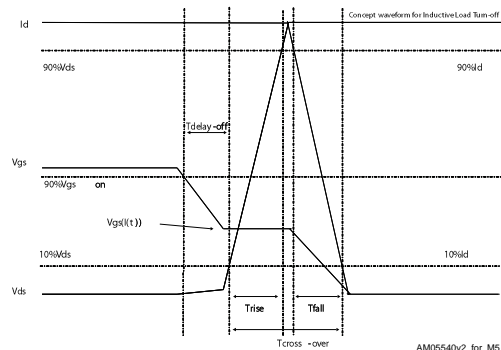
AM01471v1

**Figure 19: Unclamped inductive waveform**



AM01472v1

**Figure 20: Switching time waveform**



AM05540v2\_for\_M5

## 4 Package information

In order to meet environmental requirements, ST offers these devices in different grades of ECOPACK® packages, depending on their level of environmental compliance. ECOPACK® specifications, grade definitions and product status are available at: [www.st.com](http://www.st.com). ECOPACK® is an ST trademark.

### 4.1 Power Flat™ 5x6 HV package information

Figure 21: PowerFLAT™ 5x6 HV package outline

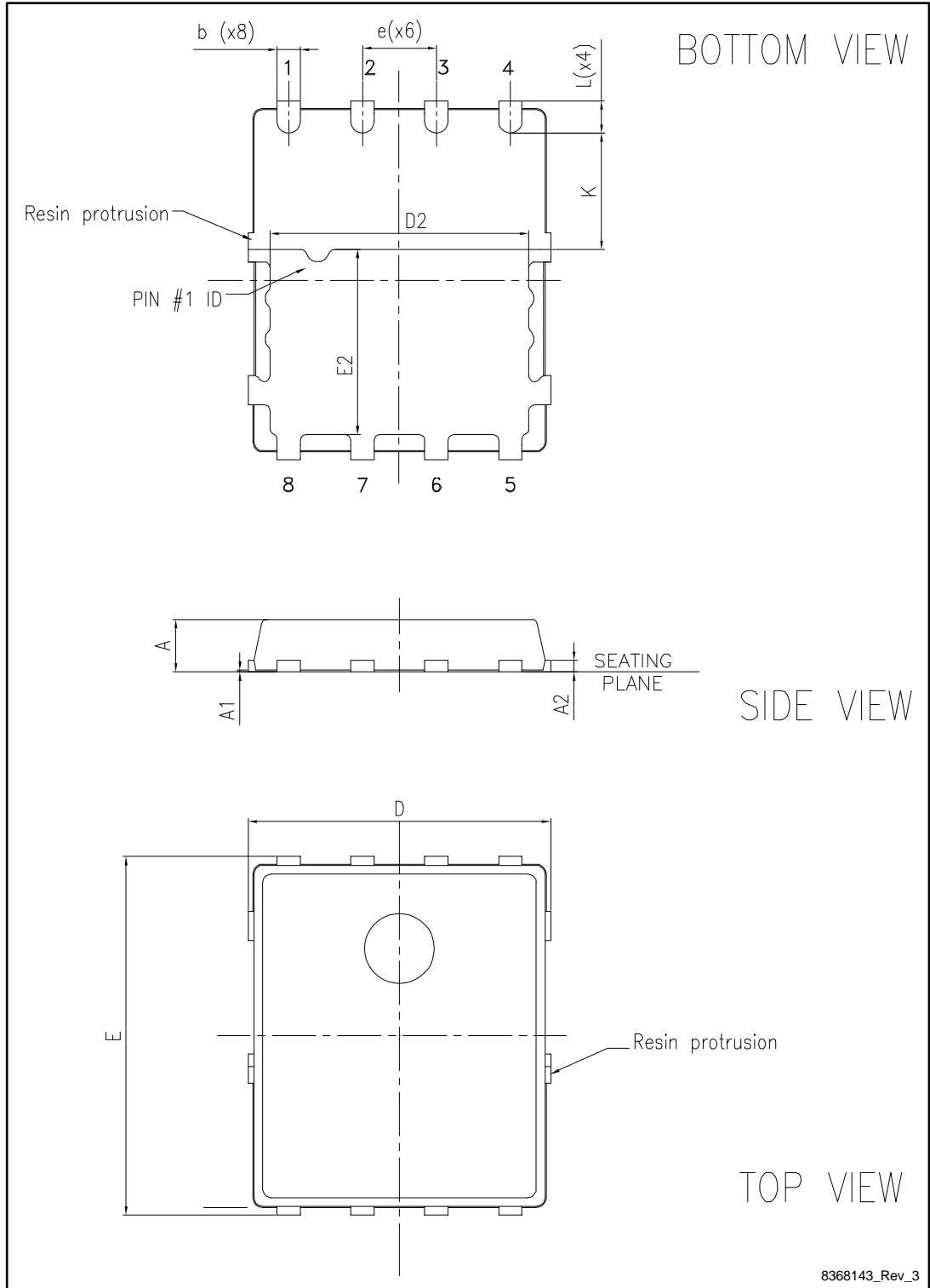
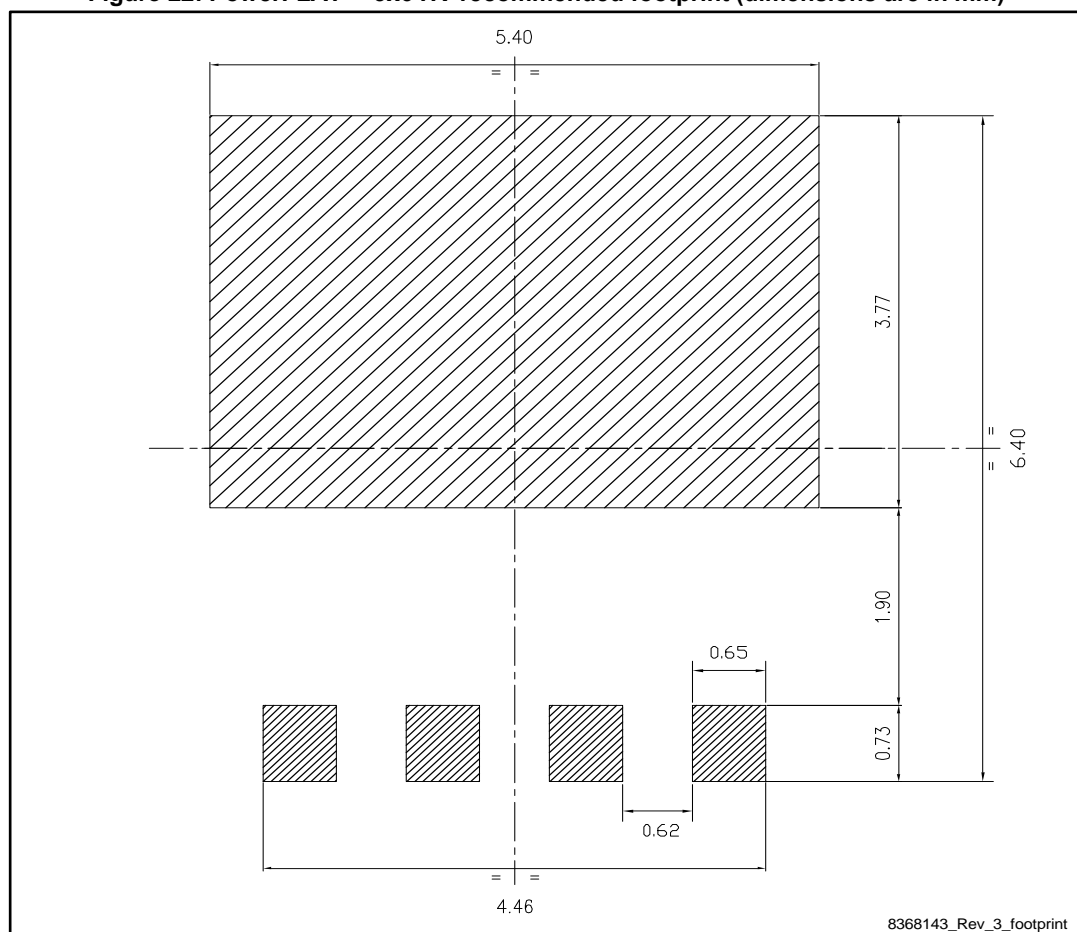


Table 8: PowerFLAT™ 5x6 HV mechanical data

Dim.	mm		
	Min.	Typ.	Max.
A	0.80		1.00
A1	0.02		0.05
A2		0.25	
b	0.30		0.50
D	5.10	5.20	5.30
E	6.05	6.15	6.25
E2	3.10	3.20	3.30
D2	4.30	4.40	4.50
e		1.27	
L	0.50	0.55	0.60
K	1.90	2.00	2.10

Figure 22: PowerFLAT™ 5x6 HV recommended footprint (dimensions are in mm)



### 4.2 Power Flat™ 5x6 HV packing information

Figure 23: PowerFLAT™ 5x6 tape (dimensions are in mm)

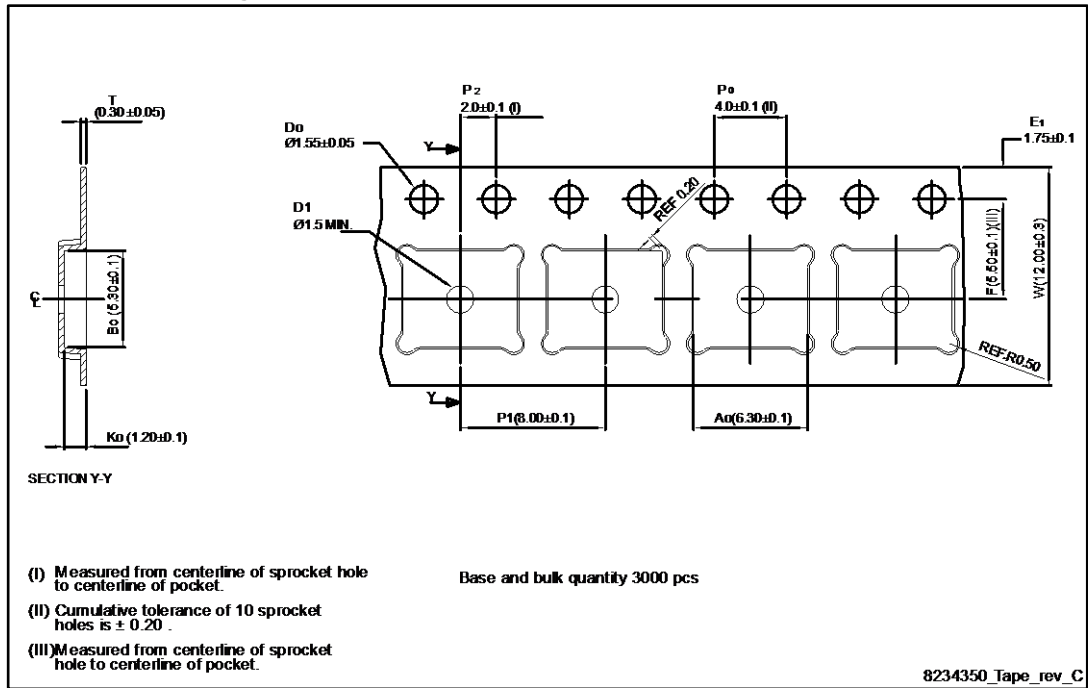


Figure 24: PowerFLAT™ 5x6 package orientation in carrier tape

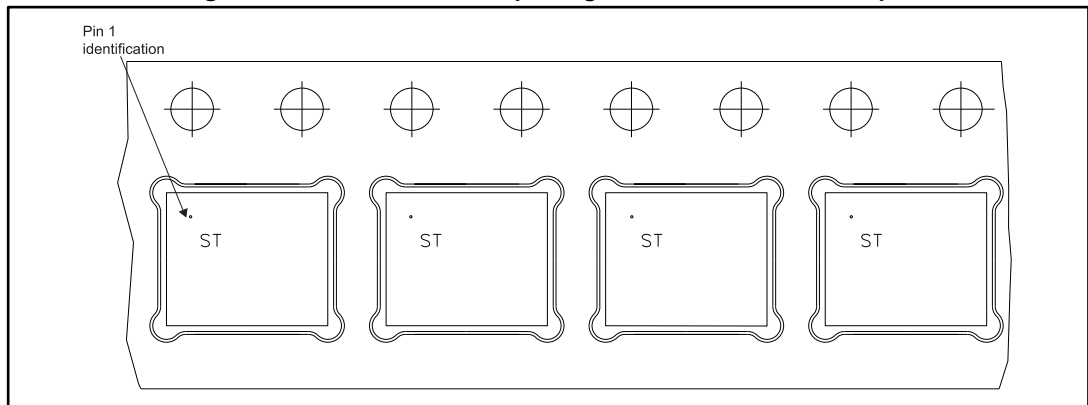
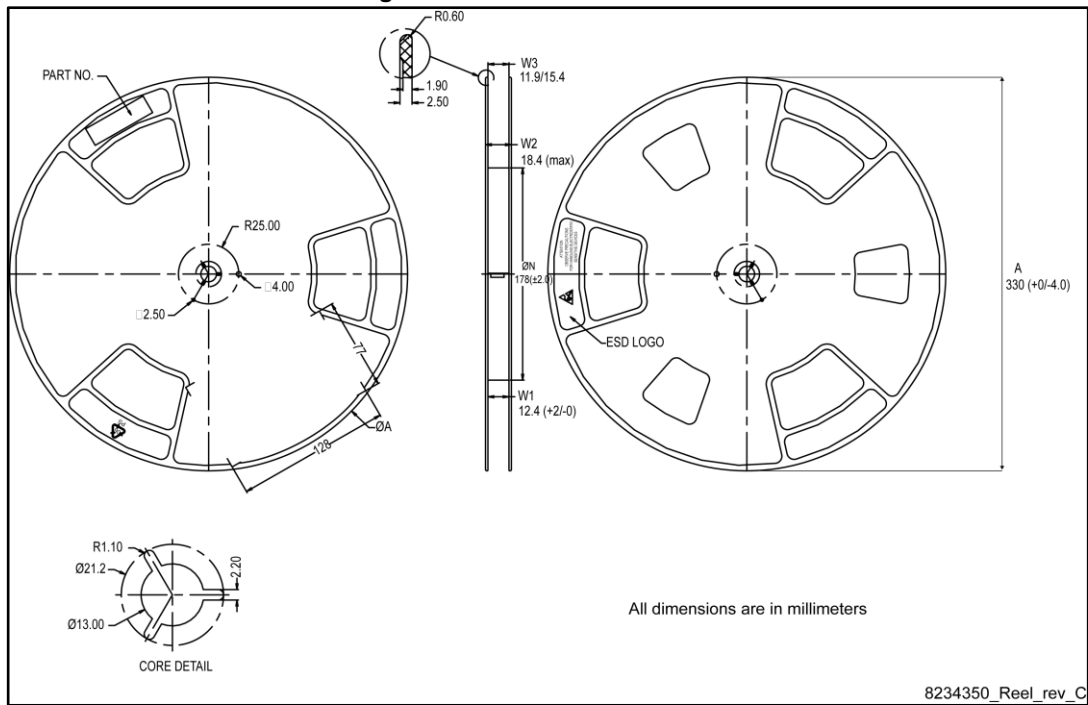


Figure 25: PowerFLAT™ 5x6 reel



## 5 Revision history

Table 9: Document revision history

Date	Revision	Changes
26-Jun-2013	1	First release
05-Dec-2016	2	Updated title, features and description in cover page. Updated <i>Figure 1: "Internal schematic diagram"</i> , <i>Table 2: "Absolute maximum ratings"</i> and <i>Section 4: "Package information"</i> . Minor text changes.

**IMPORTANT NOTICE – PLEASE READ CAREFULLY**

STMicroelectronics NV and its subsidiaries ("ST") reserve the right to make changes, corrections, enhancements, modifications, and improvements to ST products and/or to this document at any time without notice. Purchasers should obtain the latest relevant information on ST products before placing orders. ST products are sold pursuant to ST's terms and conditions of sale in place at the time of order acknowledgement.

Purchasers are solely responsible for the choice, selection, and use of ST products and ST assumes no liability for application assistance or the design of Purchasers' products.

No license, express or implied, to any intellectual property right is granted by ST herein.

Resale of ST products with provisions different from the information set forth herein shall void any warranty granted by ST for such product.

ST and the ST logo are trademarks of ST. All other product or service names are the property of their respective owners.

Information in this document supersedes and replaces information previously supplied in any prior versions of this document.

© 2016 STMicroelectronics – All rights reserved





Компания «ЭлектроПласт» предлагает заключение долгосрочных отношений при поставках импортных электронных компонентов на взаимовыгодных условиях!

Наши преимущества:

- Оперативные поставки широкого спектра электронных компонентов отечественного и импортного производства напрямую от производителей и с крупнейших мировых складов;
- Поставка более 17-ти миллионов наименований электронных компонентов;
- Поставка сложных, дефицитных, либо снятых с производства позиций;
- Оперативные сроки поставки под заказ (от 5 рабочих дней);
- Экспресс доставка в любую точку России;
- Техническая поддержка проекта, помощь в подборе аналогов, поставка прототипов;
- Система менеджмента качества сертифицирована по Международному стандарту ISO 9001;
- Лицензия ФСБ на осуществление работ с использованием сведений, составляющих государственную тайну;
- Поставка специализированных компонентов (Xilinx, Altera, Analog Devices, Intersil, Interpoint, Microsemi, Aeroflex, Peregrine, Syfer, Eurofarad, Texas Instrument, Miteq, Cobham, E2V, MA-COM, Hittite, Mini-Circuits, General Dynamics и др.);

Помимо этого, одним из направлений компании «ЭлектроПласт» является направление «Источники питания». Мы предлагаем Вам помощь Конструкторского отдела:

- Подбор оптимального решения, техническое обоснование при выборе компонента;
- Подбор аналогов;
- Консультации по применению компонента;
- Поставка образцов и прототипов;
- Техническая поддержка проекта;
- Защита от снятия компонента с производства.



#### Как с нами связаться

**Телефон:** 8 (812) 309 58 32 (многоканальный)

**Факс:** 8 (812) 320-02-42

**Электронная почта:** [org@eplast1.ru](mailto:org@eplast1.ru)

**Адрес:** 198099, г. Санкт-Петербург, ул. Калинина, дом 2, корпус 4, литера А.