

LNK64x4-64x8 LinkSwitch-3 Family

Energy-Efficient, Accurate Primary-Side Regulation
CV/CC Switcher for Adapters and Chargers

Product Highlights

Dramatically Simplifies CV/CC Converters

- Eliminates optocoupler and all secondary CV/CC control circuitry
- Eliminates all control loop compensation circuitry

Advanced Performance Features

- Compensates for transformer inductance tolerances
- Compensates for input line voltage variations
- Compensates for cable voltage drop
- Compensates for external component temperature variations
- Very accurate IC parameter tolerances using test trimming technology
- Frequency jittering greatly reduces EMI filter cost
- Programmable switching frequency up to 85 kHz to reduce transformer size
- Minimum operation frequency fixed to improve transient load response

Advanced Protection/Safety Features

- Auto-restart protection reduces power delivered by >90% for output short-circuit and control loop faults (open and shorted components)
- Hysteretic thermal shutdown – automatic recovery reduces power supply returns from the field
- Meets high-voltage creepage requirements between DRAIN and all other pins both on the PCB and at the package

EcoSmart™– Energy Efficient

- Easily meets all global energy efficiency regulations with no added components
- No-load consumption at 230 VAC input with bias winding <10 mW for LNK64x4-LNK64x6 and <30 mW for LNK64x7-LNK64x8
- ON/OFF control provides constant efficiency down to very light loads – ideal for CEC regulations
- No current sense resistors – maximizes efficiency

Green Package

- Halogen free and RoHS compliant package

Applications

- Chargers for cell/cordless phones, PDAs, MP3/portable audio devices, adapters, etc.

Description

The LinkSwitch™-3 family of ICs dramatically simplifies low power CV/CC charger designs by eliminating an optocoupler and secondary control circuitry. The device introduces a revolutionary control technique to provide very accurate output voltage and current regulation, compen-sating for transformer and internal parameter tolerances along with input voltage variations.

The device incorporates a 725 V power MOSFET, a novel ON/OFF control state machine, a high-voltage switched current source for self biasing, frequency jittering, cycle-by-cycle current limit and hysteretic thermal shutdown circuitry onto a monolithic IC.



Figure 1. Typical Application – Not a Simplified Circuit.

Output Power Table^{1,2,3,4}

| Product ⁵ | 90-264 VAC | |
|--|---------------------------------------|------------|
| | D (SO-8C) Package | |
| | Adapter | Open Frame |
| LNK6404D / LNK6424D | 3.5 W | 4.1 W |
| LNK6405D / LNK6415D / LNK6425D | 4.5 W | 5.1 W |
| LNK6406D / LNK6416D / LNK6426D / LNK6436D / LNK6446D | 5.5 W | 6.1 W |
| LNK6407D / LNK6417D / LNK6427D | 7.5 W | 7.5 W |
| Product ⁵ | E (eSIP-7C) and K (eSOP-12B) Packages | |
| | Adapter | Open Frame |
| | LNK6407K / LNK6417K / LNK6427K | 8.5 W |
| LNK6408K / LNK6418K / LNK6428K / LNK6448K | 10 W | 10 W |
| LNK6408E / LNK6418E / LNK6428E / LNK6448E | 10 W | 10 W |

Table 1. Output Power Table.

Notes:

1. Assumes minimum input DC voltage >90 VDC, $K_p \geq 1$ (Recommend $K_p \geq 1.15$ for accurate CC regulation), $\eta > 78\%$, $D_{MAX} < 55\%$.
2. Output power capability is reduced if a lower input voltage is used.
3. Minimum continuous power with adequate heat sink measured at 50 °C ambient with device junction below 110 °C.
4. Assumes bias winding is used to supply BYPASS pin.
5. Package: D: SO-8C, E: eSIP-7C, K: eSOP-12B.



PI-6660-020515

Figure 2 Functional Block Diagram.

Pin Functional Description

DRAIN (D) Pin:

This pin is the power MOSFET drain connection. It provides internal operating current for both start-up and steady-state operation.

BYPASS (BP) Pin:

This pin is the connection point for an external 1 μ F bypass capacitor for the internally generated 6 V supply.

FEEDBACK (FB) Pin:

During normal operation, switching of the power MOSFET is controlled by this pin. This pin senses the AC voltage on the bias winding. This control input regulates both the output voltage in CV mode and output current in CC mode based on the flyback voltage of the bias winding. The internal inductance correction circuit uses the forward voltage on the bias winding to sense the bulk capacitor voltage.

SOURCE (S) Pin:

This pin is internally connected to the output MOSFET source for high-voltage power and control circuit common returns.



PI-6906-020515

Figure 3. Pin Configuration.

LinkSwitch-3 Functional Description

The LinkSwitch-3 combines a high-voltage power MOSFET switch with a power supply controller in one device. It uses an ON/OFF control to regulate the output voltage. In addition, the switching frequency is modulated to regulate the output current to provide a constant current characteristic. The LinkSwitch-3 controller consists of an oscillator, feedback (sense and logic) circuit, 6 V regulator, over-temperature protection, frequency jittering, current limit circuit, leading-edge blanking, inductance correction circuitry, frequency control for constant current regulation and ON/OFF state machine for CV control.

Inductance Correction Circuitry

If the primary magnetizing inductance is either too high or low the converter will automatically compensate for this by adjusting the oscillator frequency. Since this controller is designed to operate in discontinuous-conduction mode the output power is directly proportional to the set primary inductance and its tolerance can be completely compensated with adjustments to the switching frequency.

Constant Current (CC) Operation

As the output voltage and therefore the flyback voltage across the bias winding ramps up, the FEEDBACK pin voltage increases. The switching frequency is adjusted as the FEEDBACK pin voltage increases to provide a constant output current regulation. The constant current circuit and the inductance correction circuit are designed to operate concurrently in the CC region.

Constant Voltage (CV) Operation

As the FEEDBACK pin approaches 2 V from the constant current regulation mode, the power supply transitions into CV operation. The switching frequency at this point is at its maximum value, corresponding to the peak power point of the CV/CC characteristic. The controller regulates the FEEDBACK pin voltage to remain at FEEDBACK pin threshold (V_{FBTH}) using an ON/OFF state-machine. The FEEDBACK pin voltage is sampled 2.5 μ s after the turn-off of the high-voltage switch.

At light loads the current limit is also reduced to decrease the transformer flux density and the FEEDBACK pin sampling is done earlier.

Output Cable Compensation

This compensation provides a constant output voltage at the end of the cable over the entire load range in CV mode. As the converter load increases from no-load to the peak power point (transition point between CV and CC) the voltage drop introduced across the output cable is compensated by increasing the FEEDBACK pin reference voltage. The controller determines the output load and therefore the correct degree of compensation based on the output of the state machine. The amount of cable drop compensation is determined by the third digit in the device part number.

Auto-Restart and Open-Loop Protection

In the event of a fault condition such as an output short or an open-loop condition the LinkSwitch-3 enters into an appropriate protection mode as described below.

In the event the FEEDBACK pin voltage during the flyback period falls below 0.7 V before the FEEDBACK pin sampling delay ($\sim 2.5 \mu$ s) for a duration in excess of ~ 300 ms (auto-restart on-time (t_{AR-ON})) the converter enters into auto-restart, wherein the power MOSFET is disabled for 1500 ms. The auto-restart alternately enables and disables the switching of the power MOSFET until the fault condition is removed.

In addition to the conditions for auto-restart described above, if the sensed FEEDBACK pin current during the forward period of the conduction cycle (switch "on" time) falls below 120 μ A, the converter announces this as an open-loop condition (top resistor in potential divider is open or missing) and reduces the auto-restart time from 300 ms to approximately 6 clock cycles (90 μ s), whilst keeping the disable period of 2 seconds.

Over-Temperature Protection

The thermal shutdown circuitry senses the die temperature. The threshold is set at 142 $^{\circ}$ C typical with a 60 $^{\circ}$ C hysteresis. When the die temperature rises above this threshold (142 $^{\circ}$ C) the power MOSFET is disabled and remains disabled until the die temperature falls by 60 $^{\circ}$ C, at which point the MOSFET is re-enabled.

Current Limit

The current limit circuit senses the current in the power MOSFET. When this current exceeds the internal threshold (I_{LIMIT}), the power MOSFET is turned off for the remainder of that cycle. The leading edge blanking circuit inhibits the current limit comparator for a short time (t_{LEB}) after the power MOSFET is turned on. This leading edge blanking time has been set so that current spikes caused by capacitance and rectifier reverse recovery time will not cause premature termination of the MOSFET conduction. The LinkSwitch-3 also contains a "di/dt" correction feature to minimize CC variation across the input line range.

6 V Regulator

The 6 V regulator charges the bypass capacitor connected to the BYPASS pin to 6 V by drawing a current from the voltage on the DRAIN, whenever the MOSFET is off. The BYPASS pin is the internal supply voltage node. When the MOSFET is on, the device runs off of the energy stored in the bypass capacitor. Extremely low power consumption of the internal circuitry allows the LinkSwitch-3 to operate continuously from the current drawn from the DRAIN pin however for the best no-load input power, the BYPASS pin should be supplied current of I_{S1} from the bias winding at no-load conditions. A bypass capacitor value of 1 μ F is sufficient for both high frequency decoupling and energy storage.

Applications Example

Circuit Description

This circuit shown in Figure 4 is configured as a primary-side regulated flyback power supply utilizing the LNK6448K. With an average efficiency of 78% and <30 mW no-load input power this design easily exceeds the most stringent current energy efficiency requirements.

Input Filter

AC input power is rectified by bridge BR1. The rectified DC is filtered by the bulk storage capacitors C1 and C2. Inductors L2 and L3, together with C1 and C2 form a pi (π) filter, which attenuates conducted differential-mode EMI noise. This configuration along with Power Integrations transformer E-Shield™ technology allows this design to meet EMI standard EN55022 class B with good margin without requiring a Y capacitor, even with the output connected to safety earth ground. A ferrite bead for L3 is sufficient especially when the output of the supply is floating. Fuse F1 provides protection against catastrophic failure. NTC (Negative Thermal Coefficient) thermistor RT1 is used to limit the rush current to below the peak specification of BR1 during start-up especially at high-line input voltage. High-line results in the highest current into C1 and C2. F1 and RT1 can be replaced by a single fusible resistor. If the reduction in efficiency is acceptable, a bridge with a higher I_{FSM} rating may also allow removal of RT1. If a fusible resistor is selected, use a flameproof type. It should be suitably rated (typically a wire wound type) to withstand the instantaneous dissipation while the input capacitors charge when first connected to the AC line.

LNK6448K Primary

The LNK6448K device (U1) incorporates the power switching device, oscillator, CC/CV control engine, start-up, and protection functions. The integrated 725 V MOSFET provides a large drain voltage margin in universal input AC applications, increasing reliability and also

reducing the output diode voltage stress by allowing a greater transformer turns ratio. The device is completely self-powered from the BYPASS pin and decoupling capacitor C7. For the LNK64xx devices, there are 4 options for different amount of cable drop compensation determined by the third digit in the device part number. Table 2 shows the amount of compensation for each device. The LNK644x devices do not provide cable drop compensation.

The optional bias supply formed by D3 and C8 provides the operating current for U1 via resistor R8. This reduces the no-load consumption from ~200 mW to <30 mW and also increases light load efficiency.

The rectified and filtered input voltage is applied to one side of the primary winding of T1. The other side of the transformer's primary winding is driven by the integrated MOSFET in U1. The leakage inductance drain voltage spike is limited by an RCD-R clamp consisting of D2, R3, R11, and C6.

Output Rectification

The secondary of the transformer is rectified by D1, a 10 A, 45 V Schottky barrier type for higher efficiency, and filtered by C3, L1 and C4. If lower efficiency is acceptable then this can be replaced with a 5 A PN junction diode for lower cost. In this application C3 and C4 are sized to meet the required output voltage ripple specification with a ferrite bead L1, which eliminates the high switching noise on the output. A pre-load resistor R2 is used to meet the regulation specification. If the battery self-discharge is required, the pre-load resistor can be replaced with a series resistor and Zener network.

Output Regulation

The LNK64xx family of devices regulates the output using ON/OFF control in the constant voltage (CV) regulation region of the output characteristic and frequency control for constant current (CC) regulation. The feedback resistors (R6 and R7) were selected using standard 1% resistor values to center both the nominal output voltage and constant current regulation thresholds.

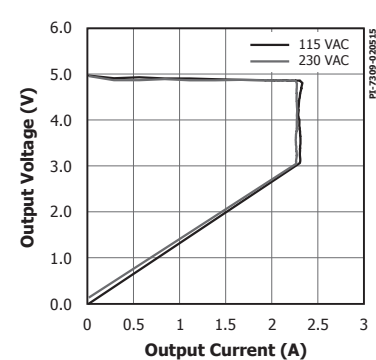


Figure 4. Energy Efficient USB Charger Power Supply (78% Average Efficiency, <30 mW No-load Input Power).

Key Application Considerations

Output Power Table

The data sheet maximum output power table (Table 1) represents the maximum practical continuous output power level that can be obtained under the following assumed conditions:

1. Assumes minimum input DC voltage >90 VDC, $K_p \geq 1$ (Recommend $K_p \geq 1.15$ for accurate CC regulation), $\eta > 78\%$, $D_{MAX} < 55\%$.
2. Output power capability is reduced if a lower input voltage is used.
3. Minimum continuous power with adequate heat sink measured at 50 °C ambient with device junction below 110 °C.
4. Assumes bias winding is used to supply BYPASS pin.

Output Tolerance

LinkSwitch-3 provides an overall output tolerance (including line, component variation and temperature) of $\pm 5\%$ for the output voltage in CV operation and $\pm 10\%$ for the output current during CC operation over a junction temperature range of 0 °C to 110 °C.

BYPASS Pin Capacitor Selection

A 1 μ F BYPASS pin capacitor is recommended. The capacitor voltage rating should be greater than 7 V. The capacitor's dielectric material is not important but tolerance of capacitor should be $\leq \pm 50\%$. The capacitor must be physically located adjacent to the LinkSwitch-3 BYPASS pin.

Cable Drop Compensation

The amount of output cable compensation is determined by the third digit in the device part number. Table 2 shows the amount of compensation for each LinkSwitch-3 device.

The output voltage that is entered into PIXIs design spreadsheet is the voltage at the end of the output cable when the power supply is delivering maximum power. The output voltage at the terminals of the supply is the value measured at the end of the cable multiplied by the output voltage change factor.

| LinkSwitch-3 Output Cable Voltage Drop Compensation | |
|---|--|
| Device | Output Voltage Change Factor ($\pm 1\%$) |
| LNK640x | 1.02 |
| LNK641x | 1.04 |
| LNK642x | 1.06 |
| LNK643x | 1.08 |
| LNK644x | 1.01 |

Table 2. Cable Compensation Change Factor vs. Device.

LinkSwitch-3 Layout Considerations

Circuit Board Layout

LinkSwitch-3 is a highly integrated power supply solution that integrates on a single die, both, the controller and the high-voltage MOSFET. The presence of high switching currents and voltages together with analog signals makes it especially important to follow good PCB design practice to ensure stable and trouble-free operation of the power supply. See Figure 5 for a recommended circuit board layout for LinkSwitch-3.

When designing a printed circuit board for the LinkSwitch-3 based power supply, it is important to follow the following guidelines:

Single Point Grounding

Use a single point (Kelvin) connection at the negative terminal of the input filter capacitor for the LinkSwitch-3 SOURCE pin and bias winding return. This improves surge capabilities by returning surge currents from the bias winding directly to the input filter capacitor.

Bypass Capacitor

The BYPASS pin capacitor should be located as close as possible to the SOURCE and BYPASS pins.

Feedback Resistors

Place the feedback resistors directly at the FEEDBACK pin of the LinkSwitch-3 device. This minimizes noise coupling.

Thermal Considerations

The copper area connected to the SOURCE pins provides the LinkSwitch-3 heat sink. A good estimate is that the LinkSwitch-3 will dissipate 10% of the output power. Provide enough copper area to keep the SOURCE pin temperature below 110 °C is recommended to provide margin for part to part $R_{DS(ON)}$ variation.

Secondary Loop Area

To minimize leakage inductance and EMI the area of the loop connecting the secondary winding, the output diode and the output filter capacitor should be minimized. In addition, sufficient copper area should be provided at the anode and cathode terminal of the diode for heat sinking. A larger area is preferred at the quiet cathode terminal. A large anode area can increase high frequency radiated EMI.

Electrostatic Discharge Spark Gap

A spark gap is created between the output and the AC input. The spark gap directs ESD energy from the secondary back to the AC input. The trace from the AC input to the spark gap electrode should be spaced away from other traces to prevent unwanted arcing occurring and possible circuit damage.

Drain Clamp Optimization

LinkSwitch-3 senses the feedback winding on the primary-side to regulate the output. The voltage that appears on the feedback winding is a reflection of the secondary winding voltage while the internal MOSFET is off. Therefore any leakage inductance induced ringing can affect output regulation. Optimizing the drain clamp to



Figure 5. PCB (Bottom Layer on Left) (Top Layer on Right) Layout Example Showing 10 W Design using K Package.

minimize the high frequency ringing will give the best regulation. Figure 6 shows the desired drain voltage waveform compared to Figure 7 with a large undershoot due to the leakage inductance induced ring. This will reduce the output voltage regulation performance. To reduce this adjust the value of the resistor in series with the clamp diode.

Addition of a Bias Circuit for Higher Light Load Efficiency and Lower No-load Input Power Consumption

The addition of a bias circuit can decrease the no-load input power from ~200 mW down to less than 30 mW at 230 VAC input. Light load efficiency also increases which may avoid the need to use a Schottky barrier vs. PN junction output diode while still meeting average efficiency requirements.

The power supply schematic shown in Figure 4 has only one winding for both feedback and bias circuit. Diode D3, C8, R5 and R8 form the bias circuit. The feedback winding voltage is designed at 11 V, this provides a high enough voltage to supply the BYPASS pin even during low switching frequency operation at no-load.

A 10 μ F capacitance value is recommended for C8 to hold up the bias voltage at the low switching frequencies that occur at light to no-load. The capacitor type is not critical but the voltage rating should be above the maximum value of V_{BIAS} . The recommended current into the BYPASS pin is equal to IC supply current (0.6 mA to 0.7 mA) at the minimum bias winding voltage. The BYPASS pin current should not exceed 10 mA at the maximum bias winding voltage. The value of R8 is calculated according to $(V_{BIAS} - V_{BP})/I_{S2}$, where V_{BIAS} (10 V typ.) is the voltage across C8, I_{S2} (0.6 mA to

0.7 mA typ.) is the IC supply current and V_{BP} (6.2 V typ.) is the BYPASS pin voltage. The parameters I_{S2} and V_{BP} are provided in the parameter table of the LinkSwitch-3 data sheet. Diode D3 can be any low cost diode such as FR102, 1N4148 or BAV19/20/21.

Quick Design Checklist

As with any power supply design, all LinkSwitch-3 designs should be verified on the bench to make sure that component specifications are not exceeded under worst-case conditions.

The following minimum set of tests is strongly recommended:

1. Maximum drain voltage – Verify that peak VDS does not exceed 680 V at the highest input voltage and maximum output power.
2. Maximum drain current – At maximum ambient temperature, maximum input voltage and maximum output load, verify drain current waveforms at start-up for any signs of transformer saturation and excessive leading edge current spikes. LinkSwitch-3 has a leading edge blanking time of 170 ns to prevent premature termination of the ON-cycle.
3. Thermal check – At maximum output power, both minimum and maximum input voltage and maximum ambient temperature; verify that temperature specifications are not exceeded for LinkSwitch-3, transformer, output diodes and output capacitors. Enough thermal margin should be allowed for part-to-part variation of the $R_{DS(ON)}$ of LinkSwitch-3, as specified in the data sheet.

Design Tools

Up-to-date information on design tools can be found at the Power Integrations web site: www.power.com



Figure 6. Desired Drain Voltage Waveform with Minimal Leakage Ringing Undershoot.



Figure 7. Undesirable Drain Voltage Waveform with Large Leakage Ring Undershoot.

Absolute Maximum Ratings^(4,5)

| | |
|---|------------------------------|
| DRAIN Voltage | -0.3 V to 725 V |
| DRAIN Pin Peak Current: LNK64x4..... | 400 (600) mA ⁽⁴⁾ |
| LNK64x5..... | 504 (750) mA ⁽⁴⁾ |
| LNK64x6 | 654 (980) mA ⁽⁴⁾ |
| LNK64x7..... | 670 (1003) mA ⁽⁴⁾ |
| LNK64x8..... | 718 (1076) mA ⁽⁴⁾ |
| Peak Negative Pulsed Drain Current..... | -100 mA ⁽²⁾ |
| FEEDBACK Pin Voltage | -0.3 to 9 V ⁽⁶⁾ |
| FEEDBACK Pin Current | 100 mA |
| BYPASS Pin Voltage | -0.3 to 9 V |
| BYPASS Pin Current | 10 mA |
| Storage Temperature | -65 to 150 °C |
| Operating Junction Temperature ⁽⁷⁾ | -40 to 150 °C |
| Lead Temperature | 260 °C ⁽³⁾ |

Notes:

1. All voltages referenced to SOURCE, $T_A = 25\text{ °C}$.
2. Duration not to exceed 2 μs .
3. 1/16 in. from case for 5 seconds.
4. The higher peak DRAIN current is allowed while the DRAIN voltage is simultaneously less than 400 V.
5. Maximum ratings specified may be applied, one at a time without causing permanent damage to the product. Exposure to Absolute Maximum ratings for extended periods of time may affect product reliability.
6. -1 V for current pulse $\leq 5\text{ mA}$ out of the pin and a duration of $\leq 500\text{ ns}$.
7. Normally limited by internal circuitry.

Thermal Resistance

Thermal Resistance: D Package:

| | |
|--------------------------------------|--|
| (θ_{JA}) | 100 °C/W ⁽²⁾ , 80 °C/W ⁽³⁾ |
| (θ_{JC}) ⁽¹⁾ | 30 °C/W |
| E Package | |
| (θ_{JA}) | 105 °C/W ⁽⁴⁾ |
| (θ_{JC}) | 2 °C/W ⁽⁵⁾ |
| K Package | |
| (θ_{JA}) | 45 °C/W ⁽⁶⁾ , 38 °C/W ⁽⁷⁾ |
| (θ_{JC}) | 2 °C/W ⁽⁵⁾ |

Notes:

1. Measured on pin 8 (SOURCE) close to plastic interface.
2. Soldered to 0.36 sq. in. (232 mm²), 2 oz. (610 g/m²) copper clad.
3. Soldered to 1 sq. in. (645 mm²), 2 oz. (610 g/m²) copper clad.
4. Free standing with no heat sink.
5. Measured at the back surface of tab.
6. Soldered (including exposed pad for K package) to typical application PCB with a heat sinking area of 0.36 sq. in. (232 mm²), 2 oz. (610 g/m²) copper clad.
7. Soldered (including exposed pad for K package) to typical application PCB with a heat sinking area of 1 sq. in. (645 mm²), 2 oz. (610 g/m²) copper clad.

| Parameter | Symbol | Conditions | | Min | Typ | Max | Units |
|--|-----------------|--|----------------------------|-------|---------|-------|-------|
| | | SOURCE = 0 V; $T_J = 0$ to 100 °C (Unless Otherwise Specified) | | | | | |
| Control Functions | | | | | | | |
| Programmable Maximum Frequency | f_{OSC} | $T_J = 25\text{ °C}$ $t_{ON} \times I_{FB} = 1.4\text{ mA-}\mu\text{s}$ See Notes A, F | $V_{FB} = V_{FBth}$ | | | 85 | kHz |
| Minimum Operation Frequency | $f_{OSC(MIN)}$ | $T_J = 25\text{ °C}$ $V_{FB} = V_{FBth}$ | LNK64x4-64x6 | | 350 | | Hz |
| | | | LNK64x7 | | 760 | | |
| | | | LNK64x8 | | 560 | | |
| Frequency Ratio (Constant Current) | $f_{RATIO(CC)}$ | $T_J = 25\text{ °C}$ Between $V_{FB} = 1.3\text{ V}$ and $V_{FB} = 1.9\text{ V}$ | | 1.42 | 1.47 | 1.53 | |
| Frequency Ratio (Inductance Correction) | $f_{RATIO(IC)}$ | Between $t_{ON} \times I_{FB} = 1.4\text{ mA}$ and $t_{ON} \times I_{FB} = 2\text{ mA-}\mu\text{s}$ | | 1.16 | 1.21 | 1.26 | |
| Frequency Jitter | | Peak-to-Peak Jitter Compared to Average Frequency, $T_J = 25\text{ °C}$ | | | ± 7 | | % |
| Maximum Duty Cycle | DC_{MAX} | See Notes D, E | | | 55 | | % |
| FEEDBACK Pin Voltage | V_{FBth} | $T_J = 25\text{ °C}$ $C_{BP} = 1\text{ }\mu\text{F}$ | LNK6404/6405/ 6406/6446 | 1.915 | 1.940 | 1.965 | V |
| | | | LNK6415/6416 | 1.955 | 1.980 | 2.005 | |

| Parameter | Symbol | Conditions | | Min | Typ | Max | Units |
|---|----------------------|--|------------------------------|-------|-------|-------|-------|
| | | SOURCE = 0 V; T _j = 0 to 100 °C (Unless Otherwise Specified) | | | | | |
| Control Functions (cont.) | | | | | | | |
| FEEDBACK Pin Voltage | V _{FBth} | T _j = 25 °C C _{BP} = 1 μF | LNK6424/6425/ 6426 | 1.995 | 2.020 | 2.045 | V |
| | | | 6436 | 2.035 | 2.060 | 2.085 | |
| | | | LNK6407, LNK6408, LNK6448 | 1.915 | 1.940 | 1.965 | |
| | | | LNK6417, LNK6418 | 1.955 | 1.980 | 2.005 | |
| | | | LNK6427, LNK6428 | 1.995 | 2.020 | 2.045 | |
| FEEDBACK Pin Voltage at Turn-Off Threshold | V _{FB(AR)} | | | 1.14 | 1.22 | 1.30 | V |
| Minimum Switch ON-Time | t _{ON(MIN)} | See Note E | | | 700 | | ns |
| FEEDBACK Pin Sampling Delay | t _{FB} | See Note G | | 2.55 | 2.75 | 2.95 | μs |
| DRAIN Supply Current | I _{S1} | FB Voltage > V _{FBth} (MOSFET Not Switching) | | | 300 | 380 | μA |
| | I _{S2} | Feedback Voltage = V _{FBth} - 0.1 V, Switch ON-Time = t _{ON} (MOSFET Switching at f _{osc}) | LNK64x4 | | 480 | 540 | μA |
| | | | LNK64x5 | | 500 | 560 | |
| | | | LNK64x6 | | 550 | 620 | |
| | | | LNK64x7 | | 600 | 680 | |
| | | | LNK64x8 | | 700 | 780 | |
| BYPASS Pin Charge Current | I _{CH1} | V _{BP} = 0 V | LNK64x4 | -5.2 | -4.4 | -2.7 | mA |
| | | | LNK64x5 | -6.8 | -5.8 | -3.3 | |
| | | | LNK64x6 | -7.5 | -6.1 | -3.5 | |
| | | | LNK64x7 | -7.5 | -6.1 | -3.5 | |
| | | | LNK64x8 | -7.5 | -6.1 | -3.5 | |
| | I _{CH2} | V _{BP} = 4 V | LNK64x4 | -5 | -2.8 | -1.5 | |
| | | | LNK64x5 | -6.4 | -4.0 | -1.8 | |
| | | | LNK64x6 | -7 | -4.2 | -2 | |
| | | | LNK64x7 | -7 | -4.2 | -2.0 | |
| | | | LNK64x8 | -7 | -4.2 | -2.0 | |
| BYPASS Pin Voltage | V _{BP} | | | 5.65 | 5.90 | 6.25 | V |
| BYPASS Pin Voltage Hysteresis | V _{BPH} | | | 0.70 | 0.95 | 1.20 | V |
| BYPASS Pin Shunt Voltage | V _{SHUNT} | | | 6.2 | 6.4 | 6.8 | V |

| Parameter | Symbol | Conditions SOURCE = 0 V; $T_J = 0$ to $100\text{ }^\circ\text{C}$ (Unless Otherwise Specified) | Min | Typ | Max | Units | |
|---|------------------|--|-----------------------------------|-------|-------|------------------|----------|
| Circuit Protection | | | | | | | |
| Current Limit | I_{LIMIT} | di/dt = 60 mA/ μs $V_{BP} = 5.9\text{ V}$ $T_J = 25\text{ }^\circ\text{C}$ | LNK64x4 | 232 | 250 | 268 | mA |
| | | di/dt = 75 mA/ μs $V_{BP} = 5.9\text{ V}$ $T_J = 25\text{ }^\circ\text{C}$ | LNK64x5 | 290 | 315 | 340 | |
| | | di/dt = 95 mA/ μs $V_{BP} = 5.9\text{ V}$ $T_J = 25\text{ }^\circ\text{C}$ | LNK64x6 | 359 | 390 | 421 | |
| | | di/dt = 105 mA/ μs $V_{BP} = 5.9\text{ V}$ $T_J = 25\text{ }^\circ\text{C}$ | LNK64x7 | 390 | 420 | 449 | |
| | | di/dt = 120 mA/ μs $V_{BP} = 5.9\text{ V}$ $T_J = 25\text{ }^\circ\text{C}$ | LNK64x8 | 446 | 480 | 513 | |
| Minimum Current Limit Scale Factor | $I_{LIMIT(MIN)}$ | | 0.27 | 0.32 | 0.38 | | |
| Normalized Output Current | I_O | $T_J = 25\text{ }^\circ\text{C}$ | 0.975 | 1.000 | 1.025 | | |
| Leading Edge Blanking Time | t_{LED} | $T_J = 25\text{ }^\circ\text{C}$ Set Note D | 125 | 170 | | ns | |
| Thermal Shutdown Temperature | t_{SD} | | 135 | 142 | 150 | $^\circ\text{C}$ | |
| Thermal Shutdown Hysteresis | t_{SDH} | | | 60 | | $^\circ\text{C}$ | |
| Output | | | | | | | |
| ON-State Resistance | $R_{DS(ON)}$ | LNK64x4 $I_D = 96\text{ mA}$ | $T_J = 25\text{ }^\circ\text{C}$ | | 19.7 | 23.7 | Ω |
| | | | $T_J = 100\text{ }^\circ\text{C}$ | | 30.0 | 36.0 | |
| | | LNK64x5 $I_D = 105\text{ mA}$ | $T_J = 25\text{ }^\circ\text{C}$ | | 13.2 | 15.8 | |
| | | | $T_J = 100\text{ }^\circ\text{C}$ | | 19.8 | 23.8 | |
| | | LNK64x6 $I_D = 105\text{ mA}$ | $T_J = 25\text{ }^\circ\text{C}$ | | 7.7 | 9.3 | |
| | | | $T_J = 100\text{ }^\circ\text{C}$ | | 11.5 | 13.8 | |
| | | LNK64x7 $I_D = 96\text{ mA}$ | $T_J = 25\text{ }^\circ\text{C}$ | | 4.8 | 5.8 | |
| | | | $T_J = 100\text{ }^\circ\text{C}$ | | 7.2 | 8.5 | |
| | | LNK64x8 $I_D = 105\text{ mA}$ | $T_J = 25\text{ }^\circ\text{C}$ | | 3.1 | 3.8 | |
| | | | $T_J = 100\text{ }^\circ\text{C}$ | | 4.6 | 5.5 | |
| OFF-State Leakage | I_{DSS1} | $V_{DS} = 560\text{ V}$ $T_J = 125\text{ }^\circ\text{C}$ See Note C | | | 50 | μA | |
| | I_{DSS2} | $V_{DS} = 375\text{ V}$ $T_J = 50\text{ }^\circ\text{C}$ | | 15 | | | |

| Parameter | Symbol | Conditions SOURCE = 0 V; $T_j = 0$ to 100 °C (Unless Otherwise Specified) | Min | Typ | Max | Units |
|---|--------------|---|-----|-----|-----|---------|
| Output (cont.) | | | | | | |
| Breakdown Voltage | BV_{DSS} | $T_j = 25$ °C | 725 | | | V |
| DRAIN Supply Voltage | | | 50 | | | V |
| Auto-Restart ON-Time | t_{AR-ON} | See Notes A, E | | 300 | | ms |
| Auto-Restart OFF-Time | t_{AR-OFF} | | | 1.5 | | s |
| Open-Loop FEEDBACK Pin Current Threshold | I_{OL} | See Note E | | -90 | | μ A |
| Open-Loop ON-Time | | See Note E | | 90 | | μ s |

NOTES:

- A. Auto-restart ON-time is a function of switching frequency programmed by $t_{ON} \times I_{FB}$ and minimum frequency in CC mode.
- B. The current limit threshold is compensated to cancel the effect of current limit delay. As a result the output current stays constant across the input line range.
- C. I_{DSS1} is the worst-case OFF-state leakage specification at 80% of BV_{DSS} and maximum operating junction temperature. I_{DSS2} is a typical specification under worst-case application conditions (rectified 265 VAC) for no-load consumption calculations.
- D. When the duty cycle exceeds DC_{MAX} the LinkSwitch-3 operates in on-time extension mode.
- E. This parameter is derived from characterization.
- F. The switching frequency is programmable between 60 kHz to 85 kHz.
- G. At light load t_{FB} is reduced at 1.8 μ s typical.

Typical Performance Characteristics



Figure 8. Current Limit vs. Temperature.



Figure 9. Output Frequency vs. Temperature.

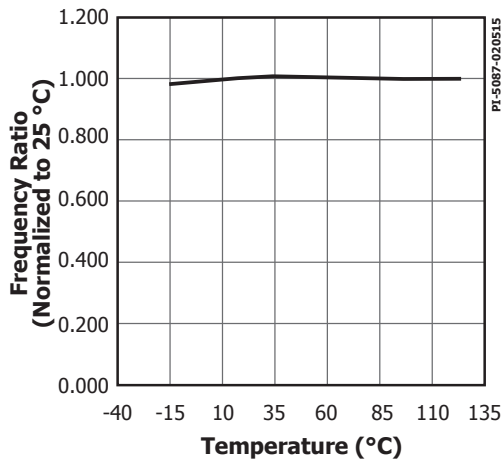


Figure 10. Frequency Ratio vs. Temperature (Constant Current).

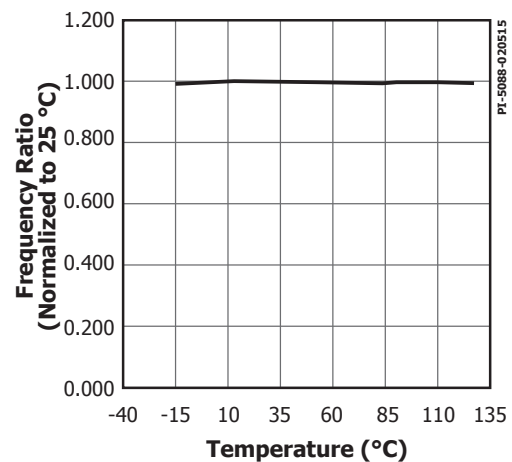


Figure 11. Frequency Ratio vs. Temperature (Inductor Current).



Figure 12. Feedback Voltage vs. Temperature.



Figure 13. Normalized Output Current vs. Temperature.

Typical Performance Characteristics (cont.)



Figure 14. Breakdown vs. Temperature.



Figure 15. Output Characteristic.

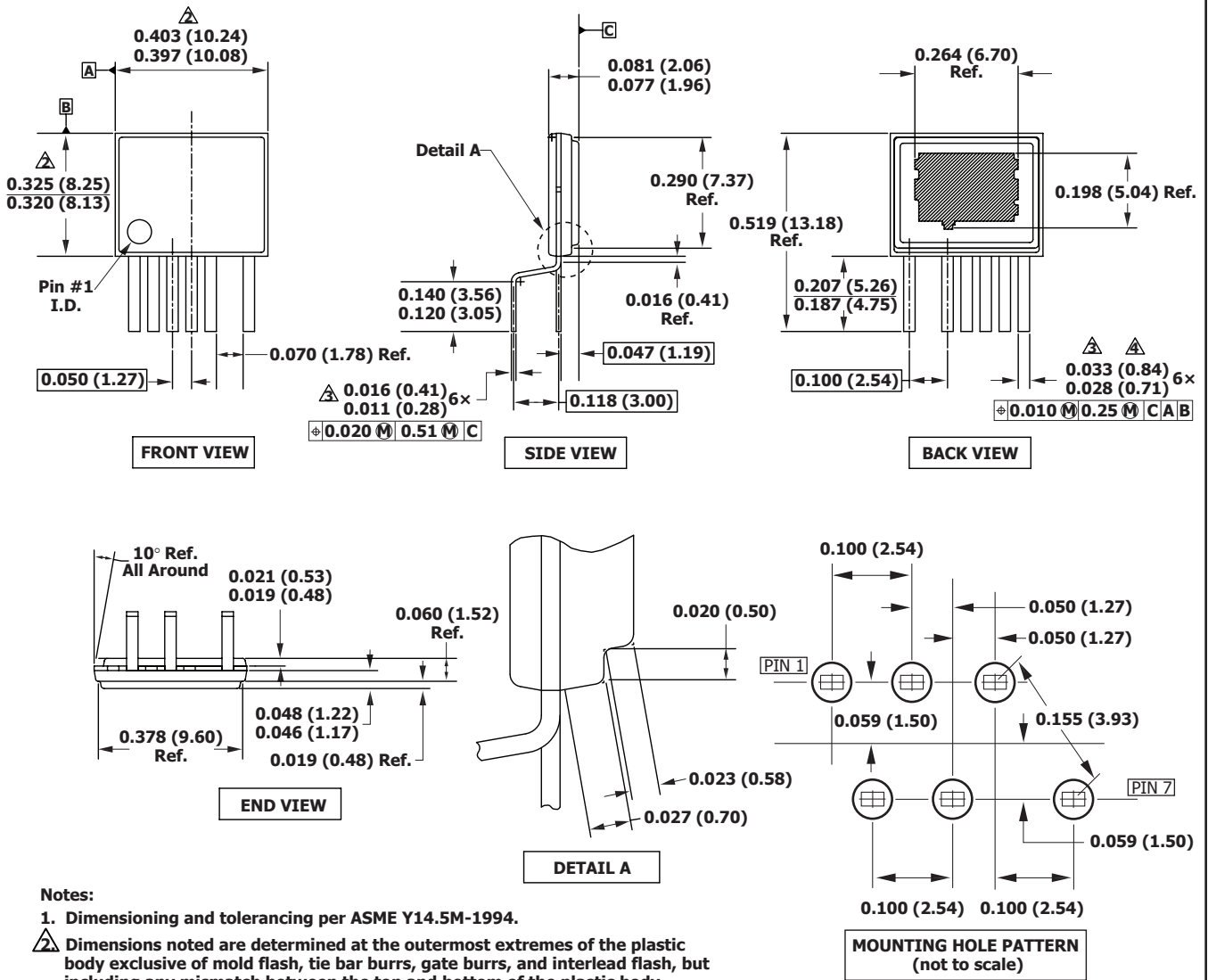


Figure 16. C_{oss} vs. Drain Voltage.



Figure 17. Drain Capacitance Power.

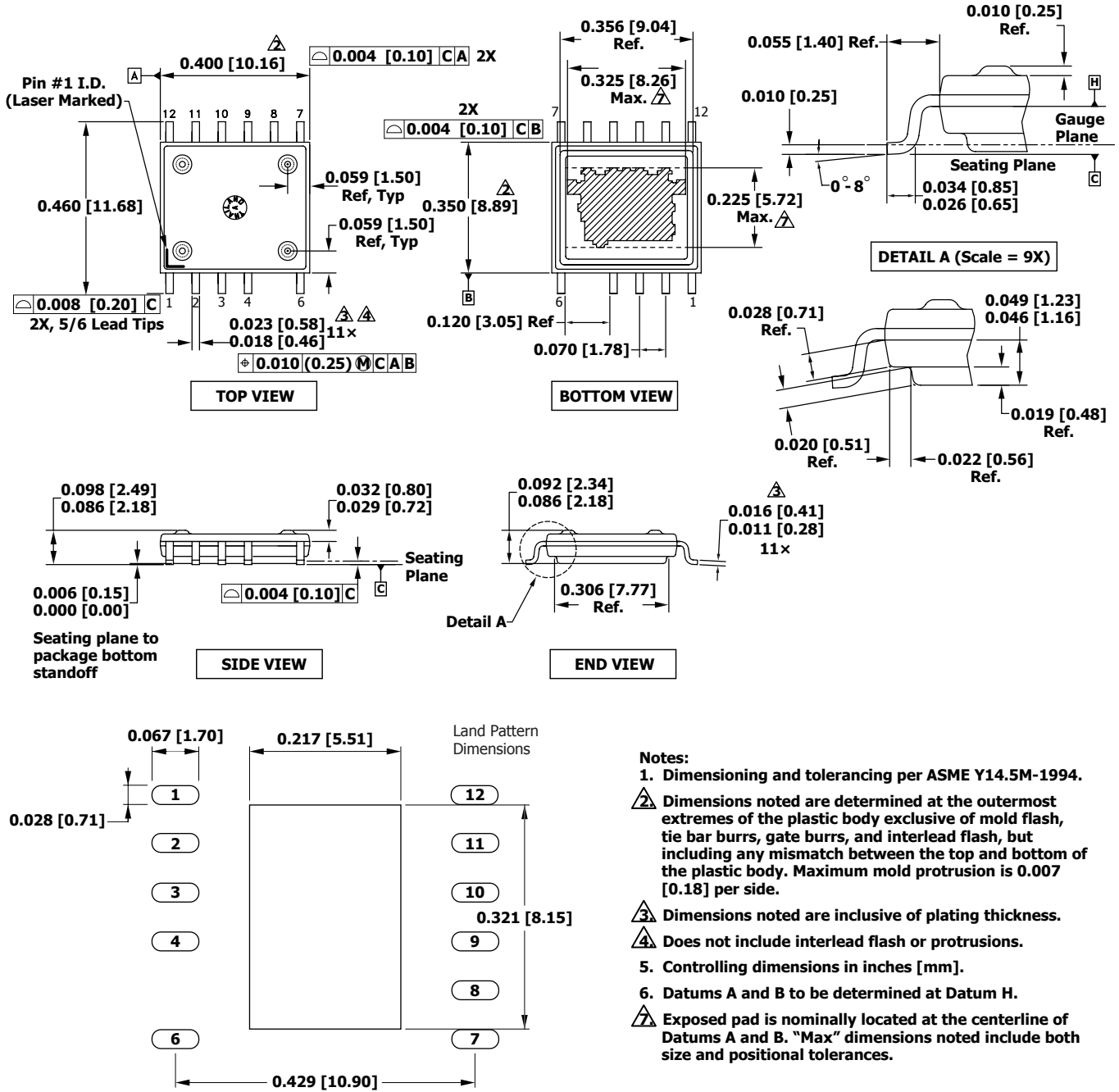
eSIP-7C (E Package)



- Notes:**
1. Dimensioning and tolerancing per ASME Y14.5M-1994.
 2. Δ Dimensions noted are determined at the outermost extremes of the plastic body exclusive of mold flash, tie bar burrs, gate burrs, and interlead flash, but including any mismatch between the top and bottom of the plastic body. Maximum mold protrusion is 0.007 [0.18] per side.
 3. Δ Dimensions noted are inclusive of plating thickness.
 4. Δ Does not include inter-lead flash or protrusions.
 5. Controlling dimensions in inches (mm).

PI-4917-020515

eSOP-12B (K Package)



PI-5748a-020515

Part Ordering Information



| Revision | Notes | Date |
|----------|--|----------|
| A | Code A. | 10/16/13 |
| A | Specified Max BYPASS Pin Current. | 03/13/14 |
| A | Code L. Updated Table 1 and Table 2. | 06/11/14 |
| B | Added LNK64x4, 64x5 and 64x6 parts. Updated $f_{RATIO(CC)}$, $I_{LIMIT(MIN)}$, t_{FB} , $V_{FB(AR)}$, $f_{OSC(MIN)}$, t_{AR-OFF} and I_{OL} . Updated ms values in Auto-Restart section on page 3. Removed $f_{OSC(AR)}$ and updated t_{AR-ON} . | 03/31/15 |
| C | Added Note G on page 11. | 03/16 |

For the latest updates, visit our website: www.power.com

Power Integrations reserves the right to make changes to its products at any time to improve reliability or manufacturability. Power Integrations does not assume any liability arising from the use of any device or circuit described herein. POWER INTEGRATIONS MAKES NO WARRANTY HEREIN AND SPECIFICALLY DISCLAIMS ALL WARRANTIES INCLUDING, WITHOUT LIMITATION, THE IMPLIED WARRANTIES OF MERCHANTABILITY, FITNESS FOR A PARTICULAR PURPOSE, AND NON-INFRINGEMENT OF THIRD PARTY RIGHTS.

Patent Information

The products and applications illustrated herein (including transformer construction and circuits external to the products) may be covered by one or more U.S. and foreign patents, or potentially by pending U.S. and foreign patent applications assigned to Power Integrations. A complete list of Power Integrations patents may be found at www.power.com. Power Integrations grants its customers a license under certain patent rights as set forth at <http://www.power.com/ip.htm>.

Life Support Policy

POWER INTEGRATIONS PRODUCTS ARE NOT AUTHORIZED FOR USE AS CRITICAL COMPONENTS IN LIFE SUPPORT DEVICES OR SYSTEMS WITHOUT THE EXPRESS WRITTEN APPROVAL OF THE PRESIDENT OF POWER INTEGRATIONS. As used herein:

1. A Life support device or system is one which, (i) is intended for surgical implant into the body, or (ii) supports or sustains life, and (iii) whose failure to perform, when properly used in accordance with instructions for use, can be reasonably expected to result in significant injury or death to the user.
2. A critical component is any component of a life support device or system whose failure to perform can be reasonably expected to cause the failure of the life support device or system, or to affect its safety or effectiveness.

The PI logo, TOPSwitch, TinySwitch, LinkSwitch, LYTSwitch, InnoSwitch, DPA-Switch, PeakSwitch, CAPZero, SENZero, LinkZero, HiperPFS, HiperTFS, HiperLCS, Qspeed, EcoSmart, Clampless, E-Shield, Filterfuse, FluxLink, StakFET, PI Expert and PI FACTS are trademarks of Power Integrations, Inc. Other trademarks are property of their respective companies. ©2016, Power Integrations, Inc.

Power Integrations Worldwide Sales Support Locations

World Headquarters

5245 Hellyer Avenue
San Jose, CA 95138, USA.
Main: +1-408-414-9200
Customer Service:
Phone: +1-408-414-9665
Fax: +1-408-414-9765
e-mail: usasales@power.com

China (Shanghai)

Rm 2410, Charity Plaza, No. 88
North Caoxi Road
Shanghai, PRC 200030
Phone: +86-21-6354-6323
Fax: +86-21-6354-6325
e-mail: chinasales@power.com

China (Shenzhen)

17/F, Hivac Building, No. 2, Keji Nan
8th Road, Nanshan District,
Shenzhen, China, 518057
Phone: +86-755-8672-8689
Fax: +86-755-8672-8690
e-mail: chinasales@power.com

Germany

Lindwurmstrasse 114
80337 Munich
Germany
Phone: +49-895-527-39110
Fax: +49-895-527-39200
e-mail: eurosales@power.com

India

#1, 14th Main Road
Vasanthanagar
Bangalore-560052 India
Phone: +91-80-4113-8020
Fax: +91-80-4113-8023
e-mail: indiasales@power.com

Italy

Via Milanese 20, 3rd. Fl.
20099 Sesto San Giovanni (MI)
Italy
Phone: +39-024-550-8701
Fax: +39-028-928-6009
e-mail: eurosales@power.com

Japan

Kosei Dai-3 Bldg.
2-12-11, Shin-Yokohama,
Kohoku-ku
Yokohama-shi, Kanagawa
222-0033 Japan
Phone: +81-45-471-1021
Fax: +81-45-471-3717
e-mail: japansales@power.com

Korea

RM 602, 6FL
Korea City Air Terminal B/D, 159-6
Samsung-Dong, Kangnam-Gu,
Seoul, 135-728, Korea
Phone: +82-2-2016-6610
Fax: +82-2-2016-6630
e-mail: koreasales@power.com

Singapore

51 Newton Road
#19-01/05 Goldhill Plaza
Singapore, 308900
Phone: +65-6358-2160
Fax: +65-6358-2015
e-mail: singaporesales@power.com

Taiwan

5F, No. 318, Nei Hu Rd., Sec. 1
Nei Hu Dist.
Taipei 11493, Taiwan R.O.C.
Phone: +886-2-2659-4570
Fax: +886-2-2659-4550
e-mail: taiwansales@power.com

UK

Cambridge Semiconductor,
a Power Integrations company
Westbrook Centre, Block 5, 2nd Floor
Milton Road
Cambridge CB4 1YG
Phone: +44 (0) 1223-446483
e-mail: eurosales@power.com



Компания «ЭлектроПласт» предлагает заключение долгосрочных отношений при поставках импортных электронных компонентов на взаимовыгодных условиях!

Наши преимущества:

- Оперативные поставки широкого спектра электронных компонентов отечественного и импортного производства напрямую от производителей и с крупнейших мировых складов;
- Поставка более 17-ти миллионов наименований электронных компонентов;
- Поставка сложных, дефицитных, либо снятых с производства позиций;
- Оперативные сроки поставки под заказ (от 5 рабочих дней);
- Экспресс доставка в любую точку России;
- Техническая поддержка проекта, помощь в подборе аналогов, поставка прототипов;
- Система менеджмента качества сертифицирована по Международному стандарту ISO 9001;
- Лицензия ФСБ на осуществление работ с использованием сведений, составляющих государственную тайну;
- Поставка специализированных компонентов (Xilinx, Altera, Analog Devices, Intersil, Interpoint, Microsemi, Aeroflex, Peregrine, Syfer, Eurofarad, Texas Instrument, Miteq, Cobham, E2V, MA-COM, Hittite, Mini-Circuits, General Dynamics и др.);

Помимо этого, одним из направлений компании «ЭлектроПласт» является направление «Источники питания». Мы предлагаем Вам помощь Конструкторского отдела:

- Подбор оптимального решения, техническое обоснование при выборе компонента;
- Подбор аналогов;
- Консультации по применению компонента;
- Поставка образцов и прототипов;
- Техническая поддержка проекта;
- Защита от снятия компонента с производства.



Как с нами связаться

Телефон: 8 (812) 309 58 32 (многоканальный)

Факс: 8 (812) 320-02-42

Электронная почта: org@eplast1.ru

Адрес: 198099, г. Санкт-Петербург, ул. Калинина, дом 2, корпус 4, литера А.