

Power Relays

MK-S(X)

MK-S-series Relays with DC-switching Models That Can Switch 220 VDC, 10 A (Resistive Load).



- Switch a DC load of 220 VDC, 10 A (resistive load).
- Models for AC Loads can switch 250 VAC, 15 A (resistive load).
- Lineup includes models with SPST-NO and SPST-NO/SPST-NC contact forms.
- Using a SPST-NO/SPST-NC contact form enables detecting contact welding. (When the NO contacts become welded, the NC contacts will maintain a minimum distance of 0.5 mm.)
- Models available with operation indicators and built-in test buttons.
- RoHS compliant.
- Standards: UL, IEC (TÜV certification)
(Application for the above standards has been made using the P7MF-06 and P7MF-06-D Sockets (sold separately).)



Ordering Information

General-purpose Relays

Models for DC Loads

| Contact form | SPST-NO | | SPST-NO/SPST-NC | |
|---|---|-------------|---|-------------|
| | Rated coil voltage (V) | Model | Rated coil voltage (V) | Model |
| Standard Models | AC: 24, 100, 110, 120, 200, 220, 230, 240 | MKS1XT-10 | AC: 24, 100, 110, 120, 200, 220, 230, 240 | MKS2XT-11 |
| | DC: 12, 24, 48, 110, 220 | | DC: 12, 24, 48, 110, 220 | |
| Models with Built-in Operation Indicators | AC: 24, 100, 110, 120, 200, 220, 230, 240 | MKS1XTN-10 | AC: 24, 100, 110, 120, 200, 220, 230, 240 | MKS2XTN-11 |
| | DC: 12, 24, 48, 110, 220 | | DC: 12, 24, 48, 110, 220 | |
| Models with Test Button | AC: 24, 100, 110, 120, 200, 220, 230, 240 | MKS1XTI-10 | AC: 24, 100, 110, 120, 200, 220, 230, 240 | MKS2XTI-11 |
| | DC: 12, 24, 48, 110, 220 | | DC: 12, 24, 48, 110, 220 | |
| Models with Test Button and Built-in Operation Indicators | AC: 24, 100, 110, 120, 200, 220, 230, 240 | MKS1XTIN-10 | AC: 24, 100, 110, 120, 200, 220, 230, 240 | MKS2XTIN-11 |
| | DC: 12, 24, 48, 110, 220 | | DC: 12, 24, 48, 110, 220 | |

Models for AC Loads

| Contact form | SPST-NO | | SPST-NO/SPST-NC | |
|---|---|------------|---|------------|
| | Rated coil voltage (V) | Model | Rated coil voltage (V) | Model |
| Standard Models | AC: 24, 100, 110, 120, 200, 220, 230, 240 | MKS1T-10 | AC: 24, 100, 110, 120, 200, 220, 230, 240 | MKS2T-11 |
| | DC: 12, 24, 48, 110, 220 | | DC: 12, 24, 48, 110, 220 | |
| Models with Built-in Operation Indicators | AC: 24, 100, 110, 120, 200, 220, 230, 240 | MKS1TN-10 | AC: 24, 100, 110, 120, 200, 220, 230, 240 | MKS2TN-11 |
| | DC: 12, 24, 48, 110, 220 | | DC: 12, 24, 48, 110, 220 | |
| Models with Test Button | AC: 24, 100, 110, 120, 200, 220, 230, 240 | MKS1TI-10 | AC: 24, 100, 110, 120, 200, 220, 230, 240 | MKS2TI-11 |
| | DC: 12, 24, 48, 110, 220 | | DC: 12, 24, 48, 110, 220 | |
| Models with Test Button and Built-in Operation Indicators | AC: 24, 100, 110, 120, 200, 220, 230, 240 | MKS1TIN-10 | AC: 24, 100, 110, 120, 200, 220, 230, 240 | MKS2TIN-11 |
| | DC: 12, 24, 48, 110, 220 | | DC: 12, 24, 48, 110, 220 | |

Accessory (Order Separately)

Connecting Socket

| Classifications | | Built-in diode | Model |
|-------------------------|-----------------------------------|----------------|-----------|
| Back-connecting Socket | PCB Terminals | No | P7M-06P |
| Front-connecting Socket | Mounts to DIN Track or via screws | No | P7MF-06 |
| | | Yes | P7MF-06-D |

MK-S(X)

Specifications

Ratings

Operating Coil

| Item | Rated current (mA) | | Coil resistance (Ω) | Must operate voltage (V) | Must release voltage (V) | Maximum voltage allowable (V) | Power consumption (VA, W) | |
|-------------------|--------------------|-------|---------------------|-----------------------------|--|-------------------------------|--|-------|
| | 50 Hz | 60 Hz | | | | | | |
| Rated voltage (V) | | | | Percentage of rated voltage | | | | |
| AC | 24 | 110 | 96.3 | 80% max. | 30% min. at 60 Hz 25% min. at 50 Hz | 110% | Approx. 2.3 VA at 60 Hz Approx. 2.7 VA at 50 Hz | |
| | 100 | 26.6 | 23.1 | | | | | 48.4 |
| | 110 | 24.2 | 21.0 | | | | | 760 |
| | 120 | 22.2 | 19.3 | | | | | 932 |
| | 200 | 13.3 | 11.6 | | | | | 1,130 |
| | 220 | 12.1 | 10.5 | | | | | 3,160 |
| | 230 | 11.5 | 10.0 | | | | | 4,250 |
| 240 | 11.0 | 9.6 | 4,480 | | | | | |
| DC | 12 | 126 | | 15% min. | | | Approx. 1.5 W | |
| | 24 | 63.2 | | | | | | 95 |
| | 48 | 32.0 | | | | | | 380 |
| | 110 | 13.6 | | | | | | 1,500 |
| | 220 | 6.8 | | | | | | 8,060 |
| | | | 32,200 | | | | | |

- Note:**
1. The rated current and coil resistance are measured at a coil temperature of 23°C with tolerances of +15%/–20% for AC rated current and ±15% for DC coil resistance.
 2. Performance characteristic data are measured at a coil temperature of 23°C.
 3. The maximum allowable voltage is the maximum value of the allowable voltage range for the operating power supply for the relay coil. There is no continuous allowance.
 4. The rated current is approximately 5 mA higher for Models with Built-in Operation Indicators (DC operating coils).

Contact Ratings for Models for DC Loads

| Item | | Contact form | | SPST-NO | | | SPST-NO/SPST-NC | | |
|---|----|---------------|--------------|----------------|----------------|----------------|-----------------|----------------|--|
| | | Model | | MKS1T(I)(N)-10 | | | MKS2T(I)(N)-11 | | |
| | | Load | | Resistive load | Inductive load | | Resistive load | Inductive load | |
| | | L/R = 7 ms | DC13 class | | L/R = 7 ms | DC13 class | | | |
| Contact configuration | NO | Double-break | | | Double-break | | | | |
| | NC | --- | | | Single-break | | | | |
| Contact material | | AgSnIn | | | AgSnIn | | | | |
| Rated load | NO | 10 A, 220 VDC | 5 A, 220 VDC | 0.4 A, 220 VDC | 5 A, 220 VDC | 3 A, 220 VDC | 0.2 A, 220 VDC | | |
| | NC | --- | | | 2 A, 220 VDC | 0.3 A, 220 VDC | 0.1 A, 220 VDC | | |
| Rated carry current | NO | 10 A | | | 5 A | | | | |
| | NC | --- | | | 2 A | | | | |
| Max. switching voltage | NO | 220 VDC | | | 220 VDC | | | | |
| | NC | --- | | | | | | | |
| Max. switching current | NO | 10 A | | | 5 A | | | | |
| | NC | --- | | | 2 A | | | | |
| Max. switching capacity (reference value) | NO | 2,200 W | --- | --- | 1,100 W | --- | --- | | |
| | NC | --- | | | 440 W | --- | --- | | |

Note: If the L/R of an inductive load exceeds 7 ms with a Model for a DC Load, the arc interruption time must be less than approximately 50 ms to use the Relay. Design the circuit so that the arc interruption time is 50 ms or less.

* These values apply to a switching frequency of 30 times per minute.

Contact Ratings for Models for AC Loads

| Item | | Contact form | | SPST-NO | SPST-NO/SPST-NC |
|---|----|---------------|--|----------------|-----------------|
| | | Model | | MKS1T(I)(N)-10 | MKS2T(I)(N)-11 |
| | | Load | | Resistive load | Resistive load |
| Contact configuration | NO | Double-break | | Double-break | |
| | NC | --- | | Single-break | |
| Contact material | | AgSnIn | | AgSnIn | |
| Rated load | NO | 15 A, 250 VAC | | 15 A, 250 VAC | |
| | NC | --- | | 5 A, 250 VAC | |
| Rated carry current | NO | 15 A | | 15 A | |
| | NC | --- | | 5 A | |
| Max. switching voltage | NO | 250 VAC | | 250 VAC | |
| | NC | --- | | | |
| Max. switching current | NO | 15 A | | 15 A | |
| | NC | --- | | 5 A | |
| Max. switching capacity (reference value) | NO | 3,750 VA | | 3,750 VA | |
| | NC | --- | | 1,250 VA | |

* These values apply to a switching frequency of 20 times per minute.

Characteristics

| | | |
|--|--|--|
| Contact resistance *1 | | 100 mΩ max. |
| Operate time *2 | | AC: 20 ms max. DC: 30 ms max. |
| Release time *2 | | 20 ms max. |
| Max. operating frequency | Mechanical | 18,000 operations/h |
| | Rated load | Models for DC loads: 1,800 times/hour Models for AC loads: 1,200 times/hour |
| Insulation resistance *3 | | 100 MΩ min. |
| Dielectric strength | Between coil and contacts | 2,500 VAC 50/60 Hz for 1 min between |
| | Between contacts of different polarity | 2,500 VAC 50/60 Hz for 1 min between |
| | Between contacts of same polarity | 1,000 VAC 50/60 Hz for 1 min |
| Vibration resistance | Destruction | 10 to 55 to 10 Hz, 0.50-mm single amplitude (1.0-mm double amplitude) |
| | Malfunction | 10 to 55 to 10 Hz, 0.75-mm single amplitude (1.5-mm double amplitude) |
| Shock resistance | Destruction | Back-connecting Socket (P7M-06P) mounting: 1,000 m/s ² Front-connecting Socket (P7MF-06(-D)) mounting: 500m/s ² |
| | Malfunction | 100 m/s ² |
| Endurance | Mechanical | 1,000,000 operations min. (at 18,000 operations/hr) |
| | Electrical *4 | 100,000 operations min. (at rated load and maximum switching frequency) |
| Failure rate P level (reference value) | | 10 mA at 24 VDC |
| Ambient operating temperature | | -40°C to 60°C (with no icing or condensation) Note: The range is -25°C to 60°C for models with built-in operation indicators. |
| Ambient operating humidity | | 5% to 85% |
| Weight | | SPST-NO: Approx. 73 g, SPST-NO/SPST-NC: Approx. 82 g |

Note: The values given above are initial values.

*1. The contact resistance was measured for 1 A at 5 VDC using the voltage drop method.

*2. The operate time was measured with the rated voltage imposed and any contact bounce ignored at an ambient temperature of 23°C.

*3. The insulation resistance was measured with a 500-VDC insulation resistance tester at the same places as those used for checking the dielectric strength.

*4. The electrical endurance was measured at an ambient temperature of 23°C.

Approved Standards

UL508 (File No. E41515)  

| Model | Coil ratings | Contact ratings | Operations |
|-----------|--------------------------------|--|------------|
| MKS1XT□-□ | 12 to 220 VDC 24 to 240 VAC | NO contacts 10 A, 220 VDC (Resistive) 5 A, 220 VDC L/R (T _{0.632}) = 7 ms 0.4 A, 220 VDC L/R (T _{0.95}) = 300 ms | 6,000 |
| MKS2XT□-□ | | NO contacts 5 A, 220 VDC (Resistive) 3 A, 220 VDC L/R (T _{0.632}) = 7 ms 0.2 A, 220 VDC L/R (T _{0.95}) = 300 ms | |
| | | NC contacts 2 A, 220 VDC (Resistive) 0.3 A, 220 VDC L/R (T _{0.632}) = 7 ms 0.1 A, 220 VDC L/R (T _{0.95}) = 300 ms | |
| MKS1T□-□ | | NO contacts 15 A, 250 VAC (Resistive) | |
| MKS2T□-□ | | NO contacts 15 A, 250 VAC (Resistive) | |
| | | NC contacts 5 A, 250 VAC (Resistive) | |

CSA Standard: CSA Certification by  : CSA C22.2 No.14

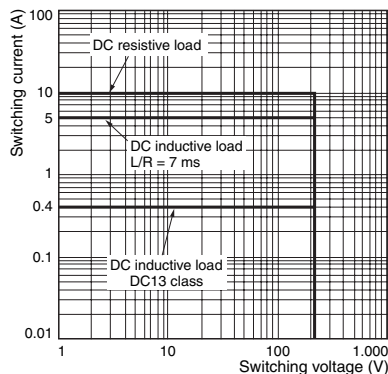
IEC Standard/TÜV Certification: IEC61810-1 (Certification No. R50104853) 

| Model | Coil ratings | Contact ratings | Operations |
|-----------|--|---|------------|
| MKS1XT□-□ | 12, 24, 48, 110, 220 VDC 24, 100, 110, 120, 200, 220, 230, 240 VAC | NO contacts DC-1: 10 A, 220 VDC 5 A, 220 VDC L/R (T _{0.632}) = 7 ms DC-13: 0.4 A, 220 VDC | 100,000 |
| MKS2XT□-□ | | NO contacts DC-1: 5 A, 220 VDC 3 A, 220 VDC L/R (T _{0.632}) = 7 ms DC-13: 0.2 A, 220 VDC | |
| | | NC contacts DC-1: 2 A, 220 VDC 0.3 A, 220 VDC L/R (T _{0.632}) = 7 ms DC-13: 0.1 A, 220 VDC | |
| MKS1T□-□ | | NO contacts AC-1: 15 A, 250 VAC 50/60 Hz | |
| MKS2T□-□ | | NO contacts AC-1: 15 A, 250 VAC 50/60 Hz | |
| | | NC contacts AC-1: 5 A, 250 VAC 50/60 Hz | |

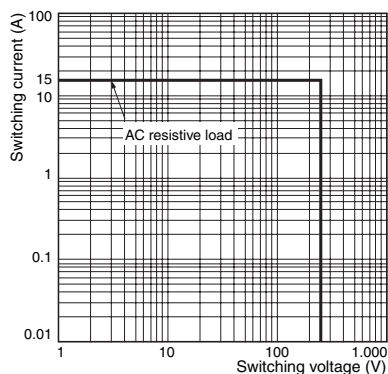
Engineering Data

Maximum Switching Power

**MKS1XT-10, MKS1XTN-10
MKS1XTI-10, MKS1XTIN-10**



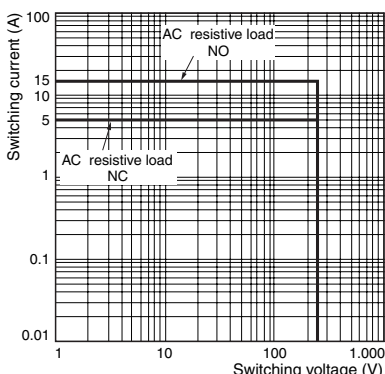
**MKS1T-10, MKS1TN-10
MKS1TI-10, MKS1TIN-10**



**MKS2XT-11, MKS2XTN-11
MKS2XTI-11, MKS2XTIN-11**

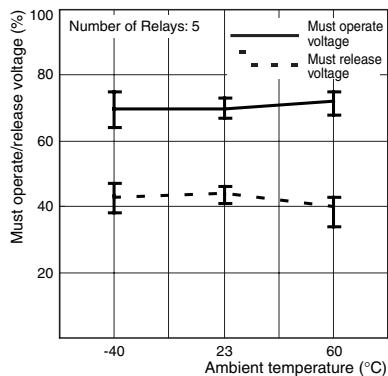


**MKS2T-11, MKS2TN-11
MKS2TI-11, MKS2TIN-11**

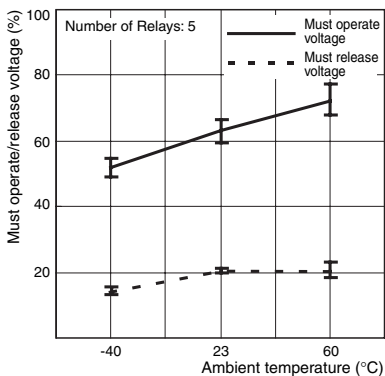


Ambient Temperature vs. Must Operate Voltage and Must Release Voltage

**MKS2XT-11
AC Specification (60 Hz)**

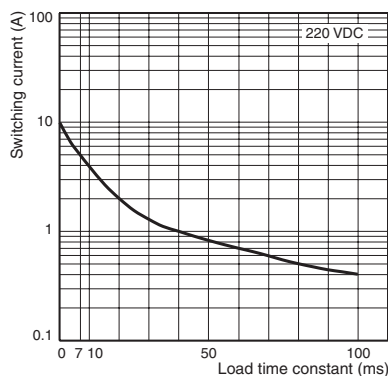


**MKS2XT-11
DC Specification**

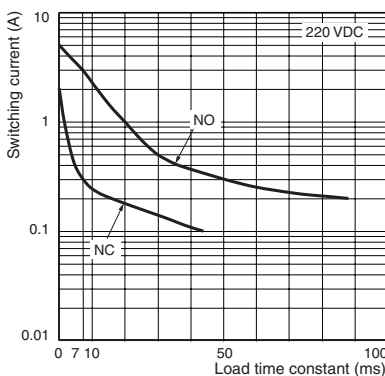


Inductive Load Switching Power (Models for DC Loads)

**MKS1XT-10, MKS1XTN-10
MKS1XTI-10, MKS1XTIN-10**



**MKS2XT-11, MKS2XTN-11
MKS2XTI-11, MKS2XTIN-11**



MK-S(X)

Test Button

The circuit can be checked using either of two modes.

Test Button
DC specification: Blue
AC specification: Red



Normal



Mode 1
(momentary)



Press the button
for operation.
(No tool is required.)

Mode 2
(locked)



Lock the contacts by
pressing down on the
button and turning it.

Test Button Applications

Example: Checking operation of Relays and sequence circuits.

Dimensions

General-purpose Relays

Models for DC Loads

Standard Models

MKS1XT-10 MKS2XT-11

Models with Built-in Operation Indicators

MKS1XTN-10 MKS2XTN-11



Models for AC Loads

Standard Models

MKS1T-10 MKS2T-11

Models with Built-in Operation Indicators

MKS1TN-10 MKS2TN-11

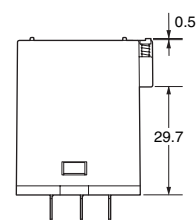
Models for DC Loads

Models with Test Button

MKS1XTI-10 MKS2XTI-11

Models with Test Button and Built-in Operation Indicators

MKS1XTIN-10 MKS2XTIN-11



Models for AC Loads

Models with Test Button

MKS1TI-10 MKS2TI-11

Models with Test Button and Built-in Operation Indicators

MKS1TIN-10 MKS2TIN-11

Terminal Arrangement/Internal Connection (Bottom View)

| MKS1XT-10 MKS1XTI-10 | MKS1XTN-10 MKS1XTIN-10 | | MKS2XT-11 MKS2XTI-11 | MKS2XTN-11 MKS2XTIN-11 | |
|-------------------------|---------------------------|------------------|-------------------------|---------------------------|------------------|
| | DC specification | AC specification | | DC specification | AC specification |
| | | | | | |
| MKS1T-10 MKS1TI-10 | MKS1TN-10 MKS1TIN-10 | | MKS2T-11 MKS2TI-11 | MKS2TN-11 MKS2TIN-11 | |
| | DC specification | AC specification | | DC specification | AC specification |
| | | | | | |

Note: 1. Wire properly using the correct coil polarity.
 2. The contact terminals on Models for DC Loads have polarity. Wire properly using the correct polarity.

MK-S(X)

Connecting Socket

Back-connecting Socket

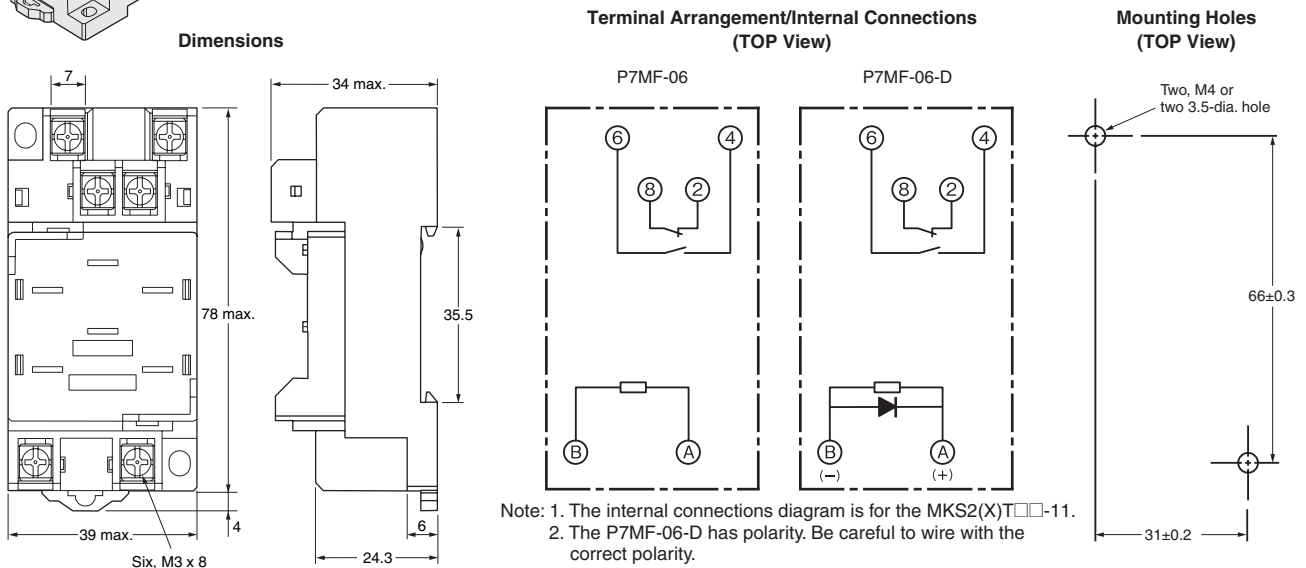
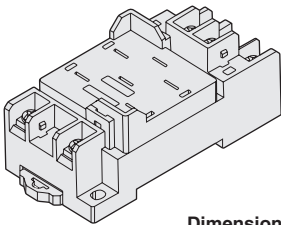
P7M-06P



Front-connecting Socket

P7MF-06

P7MF-06-D



Accessory (Order Separately) Connecting Socket

| Socket | Back-connecting Socket | Front-connecting Socket |
|-----------------|--|---|
| Number of poles | PCB terminals | Mounts to DIN Track or via screws |
| 2 | <p>P7M-06P</p>  | <p>P7MF-06 P7MF-06-D</p>  |

- Note:**
1. The P7M-06P, P7MF-06, and P7MF-06-D can be used with models for DC loads with an SPST-NO or SPST-NO/SPST-NC contact form or with models for AC loads with an SPST-NO or SPST-NO/SPST-NC contact form.
 2. The P7MF-06-D has a built-in diode and can thus be used only with Relays with DC operating coils. Do not use it with a Relay with an AC operating coil.
 3. Refer to *Gang Mounting* on page 10 for the conditions required for gang mounting.

Relay Hold-down Clips

Use the Clips to securely mount the Relay and prevent it from falling due to vibration or shock.

| Socket | Applicable Relay models | | PYC-A2 |
|-------------------------|-----------------------------------|--|--------|
| | PCB terminals | MKS1XT-10 MKS1XTI-10 MKS1T-10 MKS1TI-10 MKS1TIN-10 | |
| Back-connecting Socket | PCB terminals | P7M-06P | PYC-A2 |
| Front-connecting Socket | Mounts to DIN Track or via screws | P7MF-06 P7MF-06-D | |

PYC-A2 One Set (Two Clips)



Note: The minimum order for the PYC-A2 is ten clips.

Socket Mounting Height

P7M-06P



P7MF-06 P7MF-06-D



MK-S(X)

Safety Precautions

Refer also to *Precautions for All Relays*.

Precautions for Correct Use

Installation

- Models for DC loads (i.e., models with "X" in the model number) have permanent magnets built into the insulating block. If a permanent magnet or other magnetic body comes near the Relay, magnetic interference will occur with the built-in permanent magnet and the contact switching capacity will be decreased.
- Models for AC loads do not contain a permanent magnet.
- When mounting a P7MF-06(-D) Front-mounting Socket to a DIN Track, attach PFP-M End Plates on both sides of the Socket to prevent it from moving.

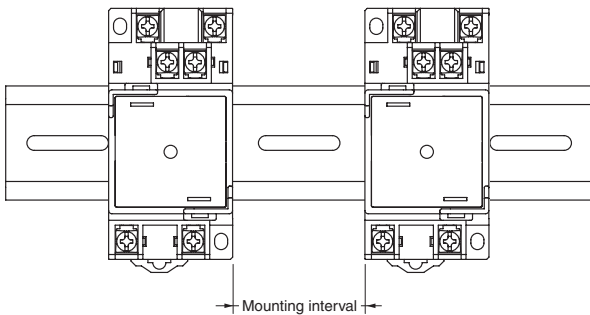
Gang Mounting

Conditions for Gang Mounting Relays

| Relay | Rated current of Relay | Socket | |
|---------------------|------------------------|------------------------|-------------------------|
| | | Back-Connecting Socket | Front-Connecting Socket |
| Models for DC Loads | 10A | ○ | ○ |
| Models for AC Loads | 15A | ○ | * |

* Gang mounting of the Front-Mounting Sockets is not possible if the contact carry current exceeds 10A. Provide space on both the right and left sides of the Sockets.

The mounting pitch is given in the following diagram.



Wiring

- The contact terminals on Models for DC Loads (i.e., models with "X" in the model number) have polarity. Wiring with incorrect polarity may result in inability to turn OFF the Relay or loss of functionality.
- Wire models with built-in operation indicators with the correct coil polarity (DC operating coil).

Test Button

- Turn OFF the power supply before operating the test button. Always return the test button to the original position after you use it.
- Do not use the test button as a switch.
- The durability of the test button is 100 operations minimum.

Operating Environment

Do not use the Relay in environments with combustible gas. Doing so may result in explosion due to arcing.

Storage

Models for DC Loads (i.e., models with "X" in the model number) are magnetized because they have a built-in magnet to deflect and extinguish the arc. Do not install the Relay near IC cards or other items that may be adversely affected by magnetism.

Usage

Use the Relay mounted in the P7M-06P or P7MF-06(-D) Socket.

Warranty and Application Considerations

Read and Understand this Catalog

Please read and understand this catalog before purchasing the products. Please consult your OMRON representative if you have any questions or comments.

Warranty and Limitations of Liability

WARRANTY

OMRON's exclusive warranty is that the products are free from defects in materials and workmanship for a period of one year (or other period if specified) from date of sale by OMRON.

OMRON MAKES NO WARRANTY OR REPRESENTATION, EXPRESS OR IMPLIED, REGARDING NON-INFRINGEMENT, MERCHANTABILITY, OR FITNESS FOR PARTICULAR PURPOSE OF THE PRODUCTS. ANY BUYER OR USER ACKNOWLEDGES THAT THE BUYER OR USER ALONE HAS DETERMINED THAT THE PRODUCTS WILL SUITABLY MEET THE REQUIREMENTS OF THEIR INTENDED USE. OMRON DISCLAIMS ALL OTHER WARRANTIES, EXPRESS OR IMPLIED.

LIMITATIONS OF LIABILITY

OMRON SHALL NOT BE RESPONSIBLE FOR SPECIAL, INDIRECT, OR CONSEQUENTIAL DAMAGES, LOSS OF PROFITS, OR COMMERCIAL LOSS IN ANY WAY CONNECTED WITH THE PRODUCTS, WHETHER SUCH CLAIM IS BASED ON CONTRACT, WARRANTY, NEGLIGENCE, OR STRICT LIABILITY.

In no event shall the responsibility of OMRON for any act exceed the individual price of the product on which liability is asserted.

IN NO EVENT SHALL OMRON BE RESPONSIBLE FOR WARRANTY, REPAIR, OR OTHER CLAIMS REGARDING THE PRODUCTS UNLESS OMRON'S ANALYSIS CONFIRMS THAT THE PRODUCTS WERE PROPERLY HANDLED, STORED, INSTALLED, AND MAINTAINED AND NOT SUBJECT TO CONTAMINATION, ABUSE, MISUSE, OR INAPPROPRIATE MODIFICATION OR REPAIR.

Application Considerations

SUITABILITY FOR USE

OMRON shall not be responsible for conformity with any standards, codes, or regulations that apply to the combination of products in the customer's application or use of the products.

Take all necessary steps to determine the suitability of the product for the systems, machines, and equipment with which it will be used.

Know and observe all prohibitions of use applicable to this product.

NEVER USE THE PRODUCTS FOR AN APPLICATION INVOLVING SERIOUS RISK TO LIFE OR PROPERTY WITHOUT ENSURING THAT THE SYSTEM AS A WHOLE HAS BEEN DESIGNED TO ADDRESS THE RISKS, AND THAT THE OMRON PRODUCTS ARE PROPERLY RATED AND INSTALLED FOR THE INTENDED USE WITHIN THE OVERALL EQUIPMENT OR SYSTEM.

Disclaimers

PERFORMANCE DATA

Performance data given in this catalog is provided as a guide for the user in determining suitability and does not constitute a warranty. It may represent the result of OMRON's test conditions, and the users must correlate it to actual application requirements. Actual performance is subject to the OMRON *Warranty and Limitations of Liability*.

CHANGE IN SPECIFICATIONS

Product specifications and accessories may be changed at any time based on improvements and other reasons. Consult with your OMRON representative at any time to confirm actual specifications of purchased product.

DIMENSIONS AND WEIGHTS

Dimensions and weights are nominal and are not to be used for manufacturing purposes, even when tolerances are shown.

OMRON Corporation
Industrial Automation Company

Control Devices Division H.Q.
Strategy Planning Division
Shiokoji Horikawa, Shimogyo-ku,
Kyoto, 600-8530 Japan
Tel: (81) 75-344-7109/Fax: (81) 75-344-7149

Regional Headquarters
OMRON EUROPE B.V.
Wegalaan 67-69-2132 JD Hoofddorp
The Netherlands
Tel: (31)2356-81-300/Fax: (31)2356-81-388
OMRON Industrial Automation Global: www.ia.omron.com

OMRON ELECTRONICS LLC
One Commerce Drive Schaumburg,
IL 60173-5302 U.S.A.
Tel: (1) 847-843-7900/Fax: (1) 847-843-7787

OMRON ASIA PACIFIC PTE. LTD.
No. 438A Alexandra Road # 05-05/08 (Lobby 2),
Alexandra Technopark, Singapore 119967
Tel: (65) 6835-3011/Fax: (65) 6835-2711

OMRON (CHINA) CO., LTD.
Room 2211, Bank of China Tower,
200 Yin Cheng Zhong Road,
PuDong New Area, Shanghai, 200120, China
Tel: (86) 21-5037-2222/Fax: (86) 21-5037-2200

Authorized Distributor:

© OMRON Corporation 2008 All Rights Reserved.
In the interest of product improvement,
specifications are subject to change without notice.

Cat. No. J175-E1-02

Printed in Japan
0809



Компания «ЭлектроПласт» предлагает заключение долгосрочных отношений при поставках импортных электронных компонентов на взаимовыгодных условиях!

Наши преимущества:

- Оперативные поставки широкого спектра электронных компонентов отечественного и импортного производства напрямую от производителей и с крупнейших мировых складов;
- Поставка более 17-ти миллионов наименований электронных компонентов;
- Поставка сложных, дефицитных, либо снятых с производства позиций;
- Оперативные сроки поставки под заказ (от 5 рабочих дней);
- Экспресс доставка в любую точку России;
- Техническая поддержка проекта, помощь в подборе аналогов, поставка прототипов;
- Система менеджмента качества сертифицирована по Международному стандарту ISO 9001;
- Лицензия ФСБ на осуществление работ с использованием сведений, составляющих государственную тайну;
- Поставка специализированных компонентов (Xilinx, Altera, Analog Devices, Intersil, Interpoint, Microsemi, Aeroflex, Peregrine, Syfer, Eurofarad, Texas Instrument, Miteq, Cobham, E2V, MA-COM, Hittite, Mini-Circuits, General Dynamics и др.);

Помимо этого, одним из направлений компании «ЭлектроПласт» является направление «Источники питания». Мы предлагаем Вам помощь Конструкторского отдела:

- Подбор оптимального решения, техническое обоснование при выборе компонента;
- Подбор аналогов;
- Консультации по применению компонента;
- Поставка образцов и прототипов;
- Техническая поддержка проекта;
- Защита от снятия компонента с производства.



Как с нами связаться

Телефон: 8 (812) 309 58 32 (многоканальный)

Факс: 8 (812) 320-02-42

Электронная почта: org@eplast1.ru

Адрес: 198099, г. Санкт-Петербург, ул. Калинина, дом 2, корпус 4, литера А.