

# MCU Cards

for **LV18F v6™** development system

Manual

*All Mikroelektronika's development systems feature a large number of peripheral modules expanding microcontroller's range of application and making the process of program testing easier. In addition to these modules, it is also possible to use numerous additional modules linked to the development system through the I/O port connectors. Some of these additional modules can operate as stand-alone devices without being connected to the microcontroller.*

**Additional Board**

 **MikroElektronika**

SOFTWARE AND HARDWARE SOLUTIONS FOR EMBEDDED WORLD ...making it simple

## MCU Cards for LV18F v6 Development System

The LV18F v6 development system is supported by empty 44-, 64-, 80- and 100-pin MCU cards. Schematics provided herein show these MCU cards with soldered microcontrollers. Instead of microcontrollers used in these examples, you can choose and solder another ones. Prior to soldering, check which microcontrollers can be placed on the respective MCU card just to be sure that they are compatible. MCU cards are also provided with pads that enables you to access microcontroller pins when the MCU card is not connected to the development system.

Supported microcontrollers:

64- and 80-pin MCU cards support the following microcontrollers: U1: PIC18F83J90, PIC18F84J90, PIC18F85J90, PIC18F83J11, PIC18F84J11, PIC18F85J11, PIC18F85J10, PIC18F85J15, PIC18F86J10, PIC18F86J15, PIC18F87J10, PIC18F86J11, PIC18F86J16, PIC18F87J11, PIC18F86J90, PIC18F87J90, PIC18F86J93, PIC18F87J93, PIC18F86J50, PIC18F86J55, PIC18F87J50 and PIC18F85J50; U2: PIC18F63J90, PIC18F64J90, PIC18F65J90, PIC18F63J11, PIC18F64J11, PIC18F65J11, PIC18F66J90, PIC18F67J90, PIC18F66J93, PIC18F67J93, PIC18F65J10, PIC18F65J15, PIC18F66J10, PIC18F66J15, PIC18F67J10, PIC18F66J11, PIC18F66J16, PIC18F67J11, PIC18F65J50, PIC18F66J55 and PIC18F67J50.

44-pin MCU cards support the following microcontrollers: U1: PIC18F43K20, PIC18F44K20, PIC18F45K20, PIC18F46K20, PIC18F46K22, PIC18F45K22, PIC18F44K22, PIC18F43K22, PIC18F46K22, PIC18F45K22, PIC18F44K22 and PIC18F43K22; U2: PIC18F44J11, PIC18F45J11, PIC18F46J11, PIC18F44J50, PIC18F45J50 and PIC18F46J50.

64- and 100-pin MCU cards support the following microcontrollers: U1: PIC18F96J60, PIC18F96J65 and PIC18F97J60; U2: PIC18F66J60, PIC18F66J65 and PIC18F67J60.

80-pin MCU cards support PIC18F87J10 and PIC18F87J50 microcontrollers.

80-pin ETH MCU cards support PIC18F86J60, PIC18F86J65 and PIC18F87J60 microcontrollers.

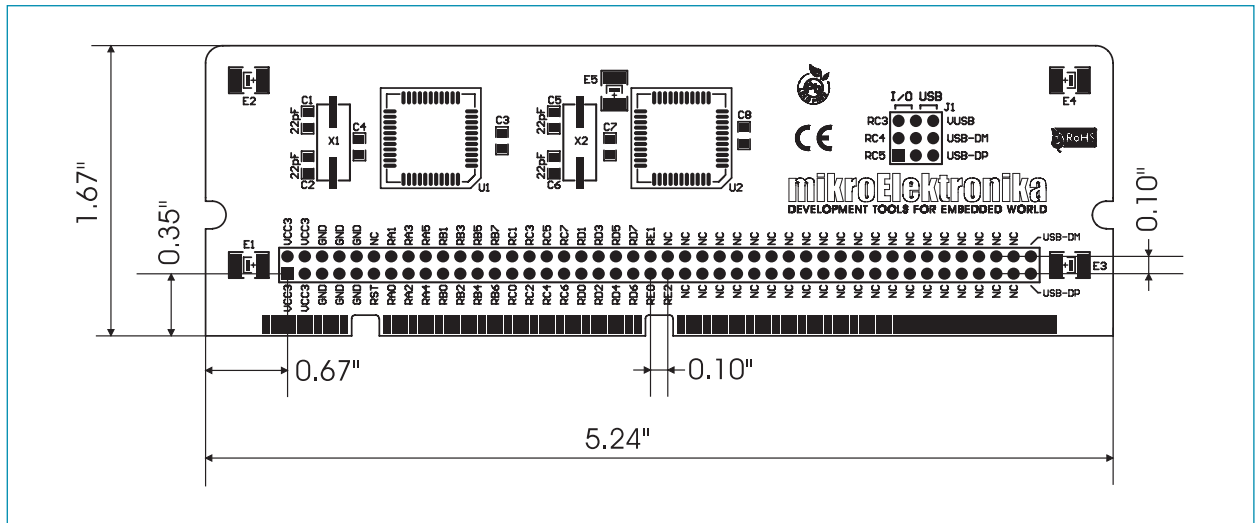


Figure 1: Dimensions of 44-, 64- and 80-pin MCU cards

**NOTE:** MCU cards that can feature two different microcontrollers may have only one of them soldered at the same time.

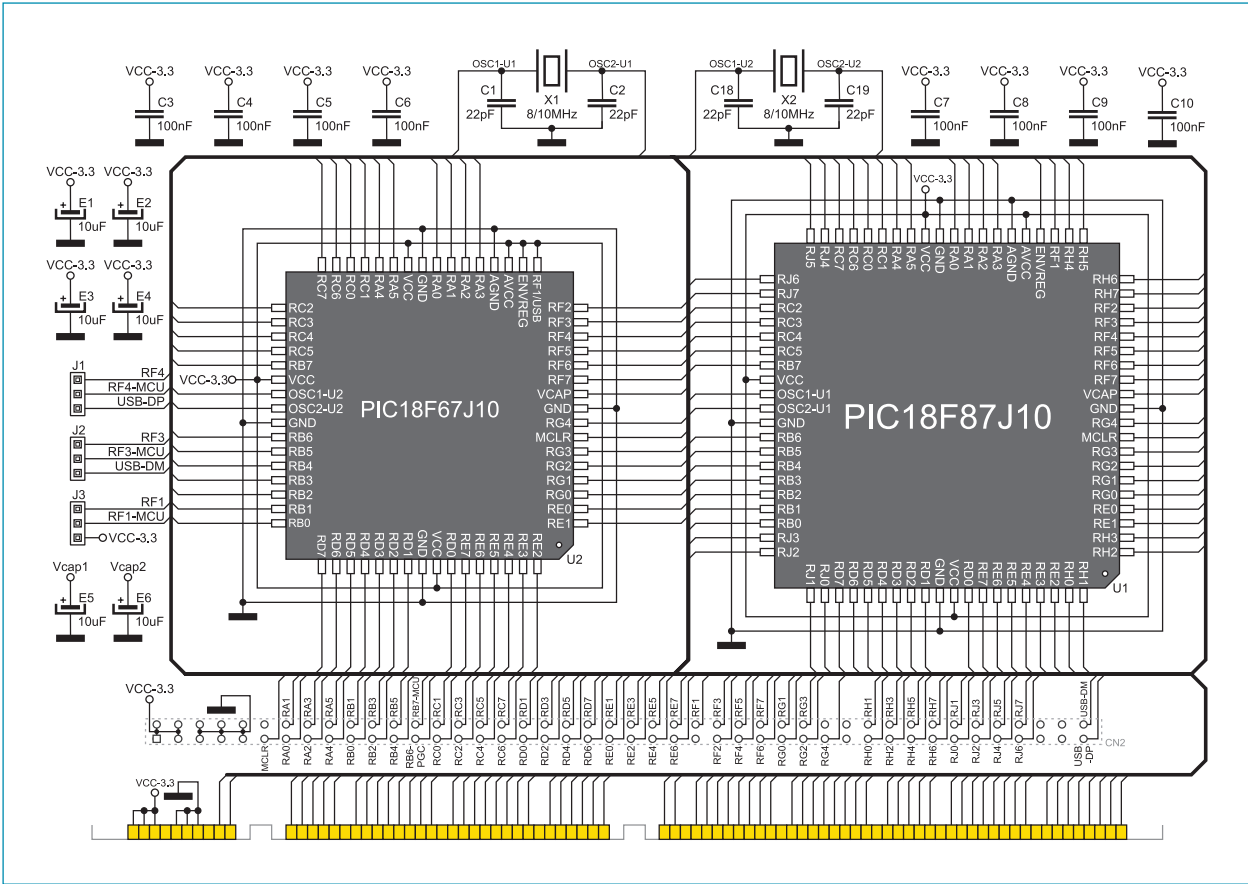


Figure 2: 64- and 80-pin MCU card and microcontroller connection schematic

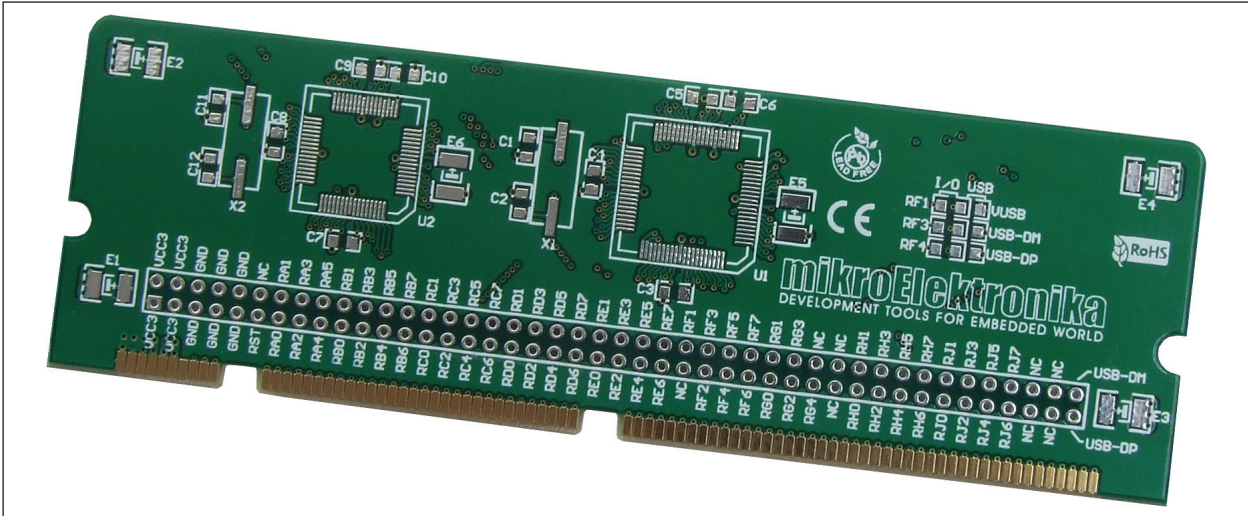


Figure 3: Empty 64- and 80-pin MCU card

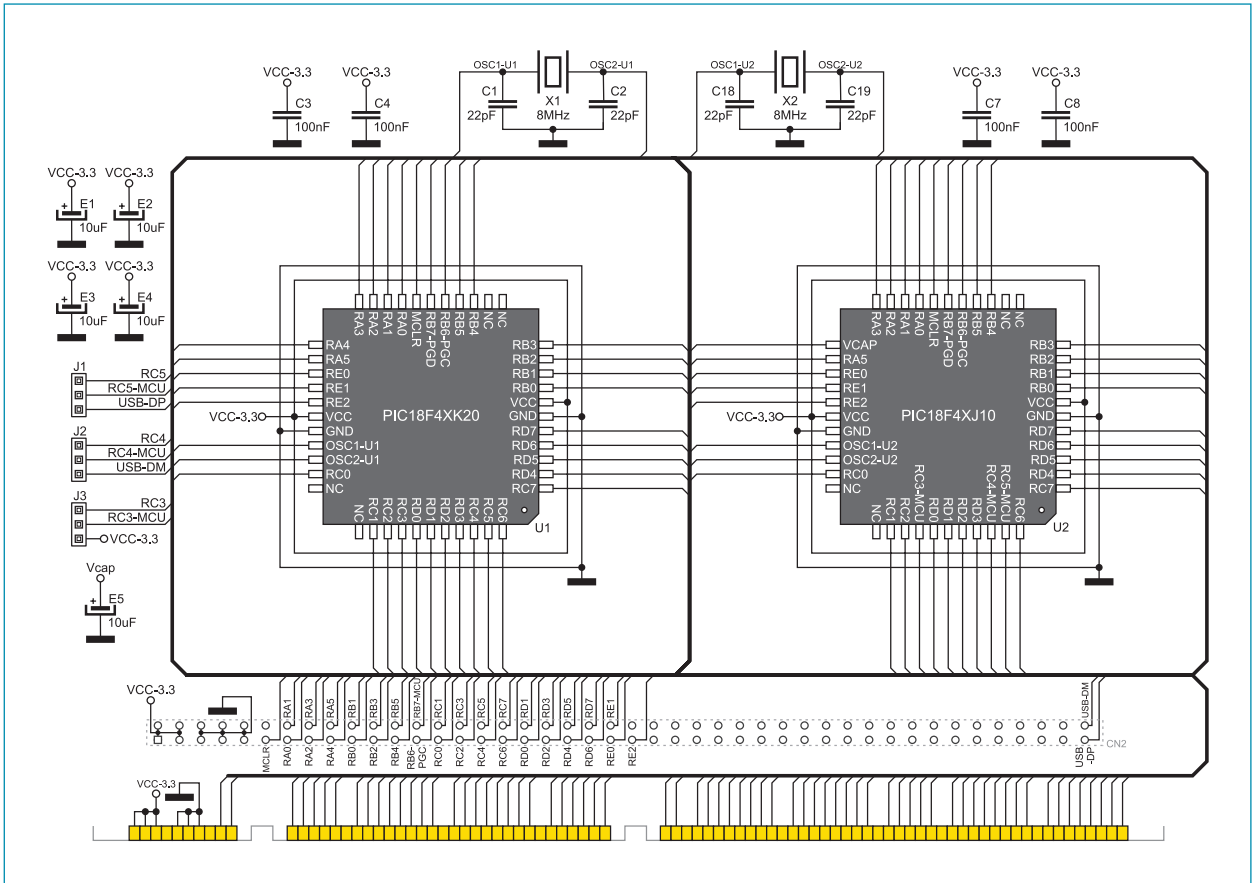


Figure 4: 44-pin MCU card and microcontroller connection schematic

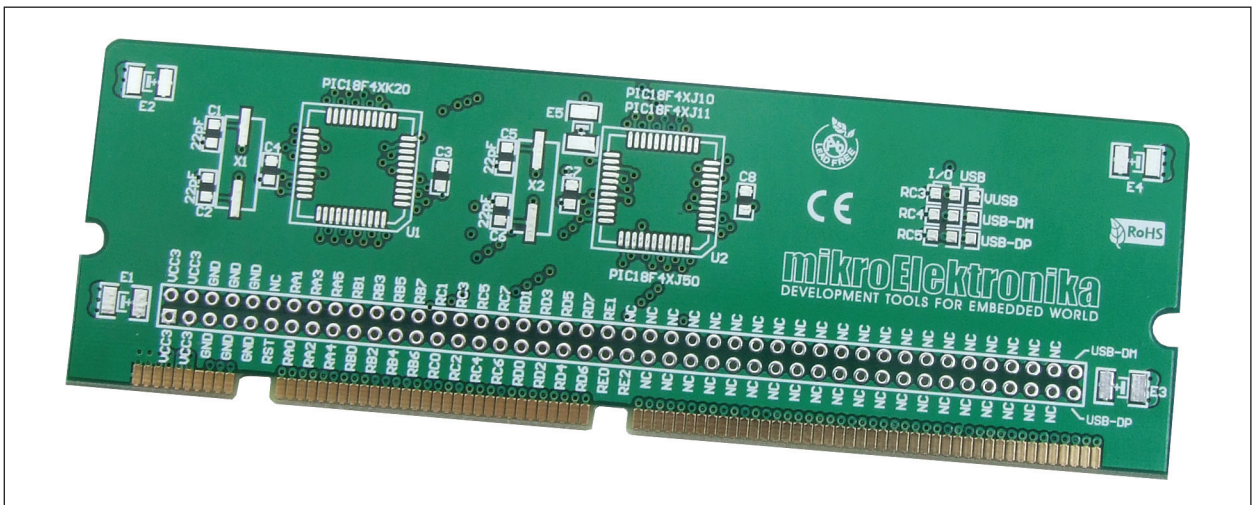


Figure 5: Empty 44-pin MCU card

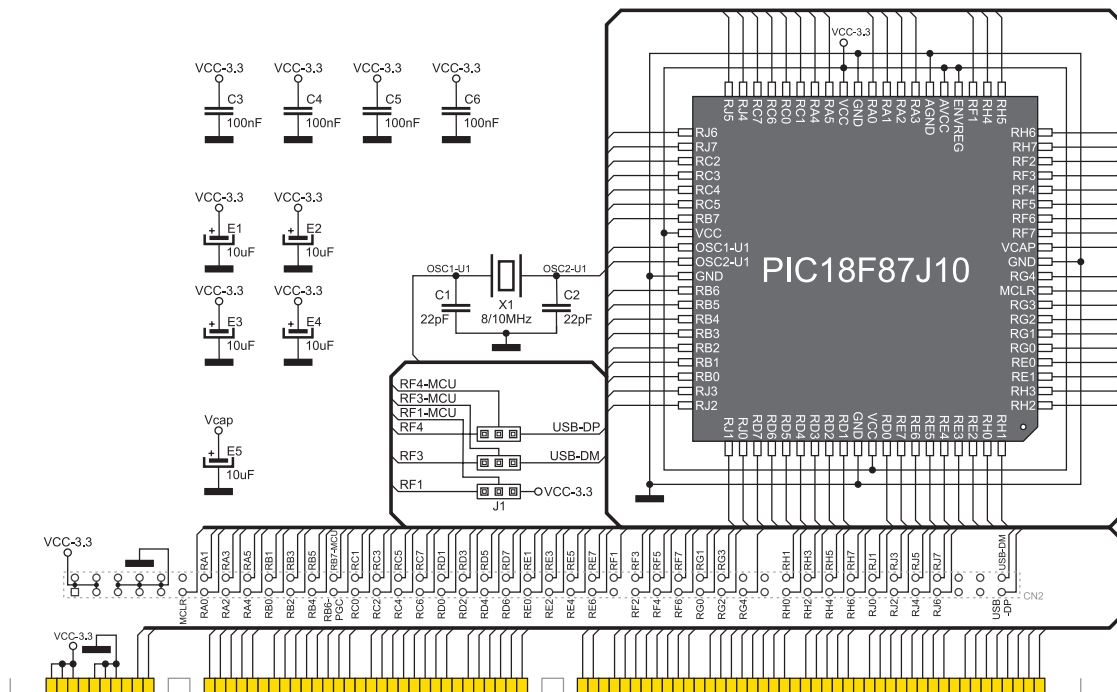


Figure 6: 80-pin MCU card and microcontroller connection schematic

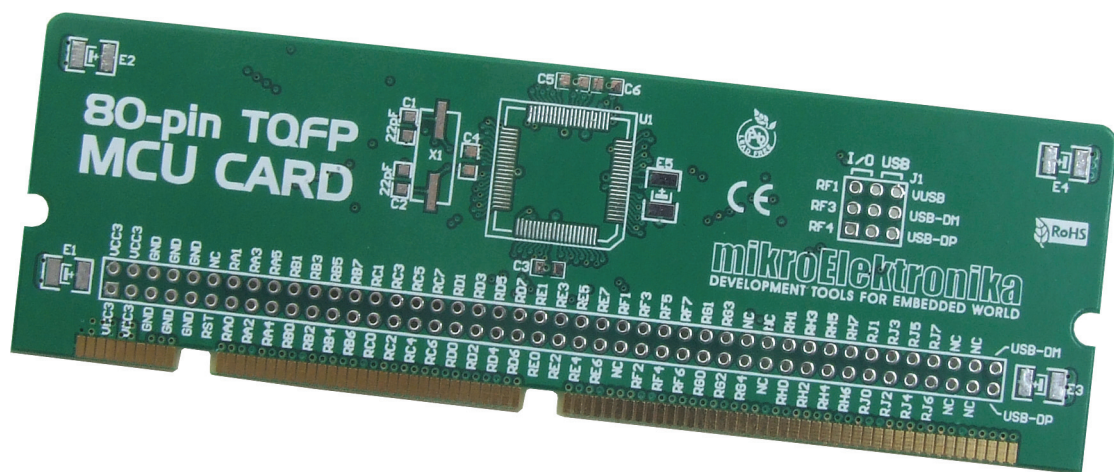


Figure 7: Empty 80-pin MCU card

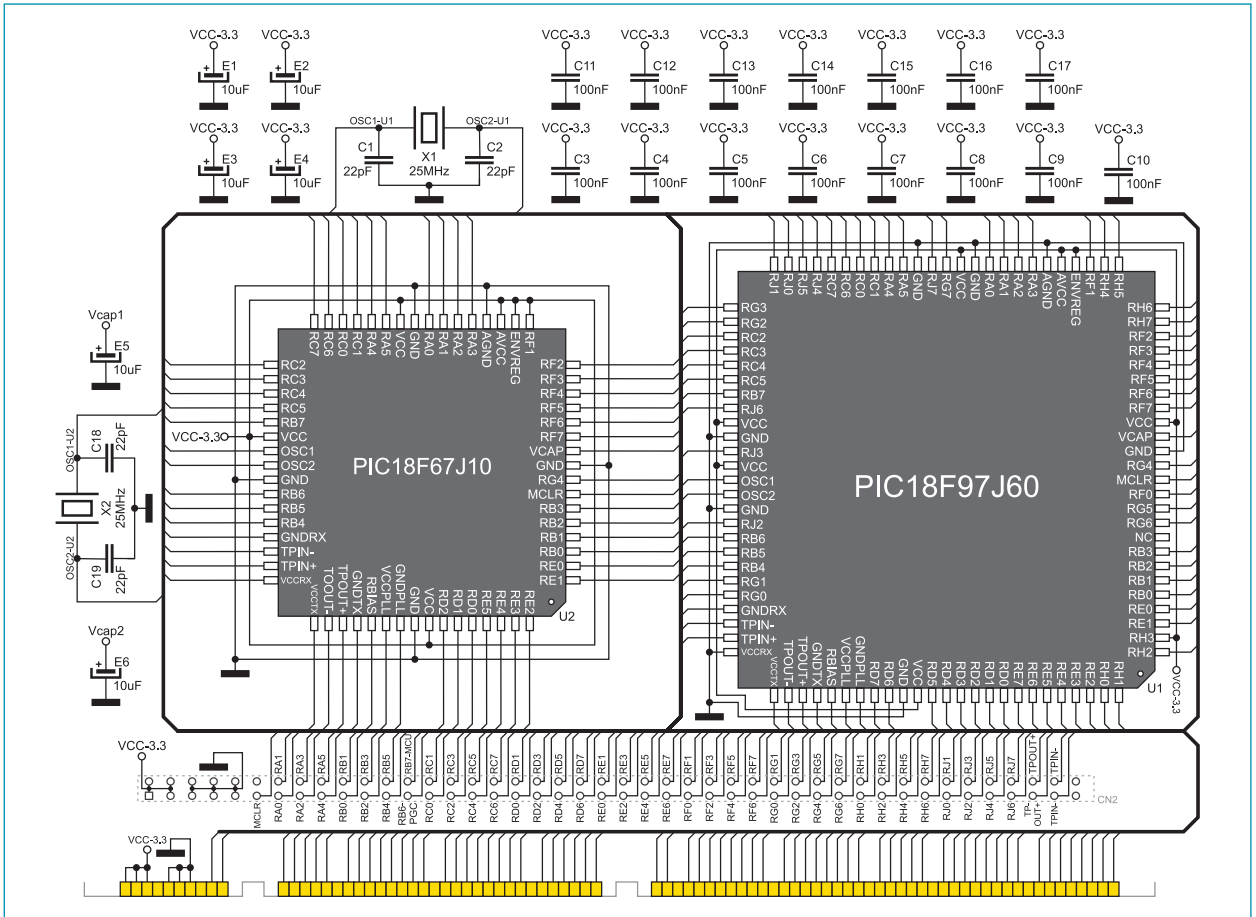


Figure 8: 64- and 100-pin MCU card and microcontroller connection schematic

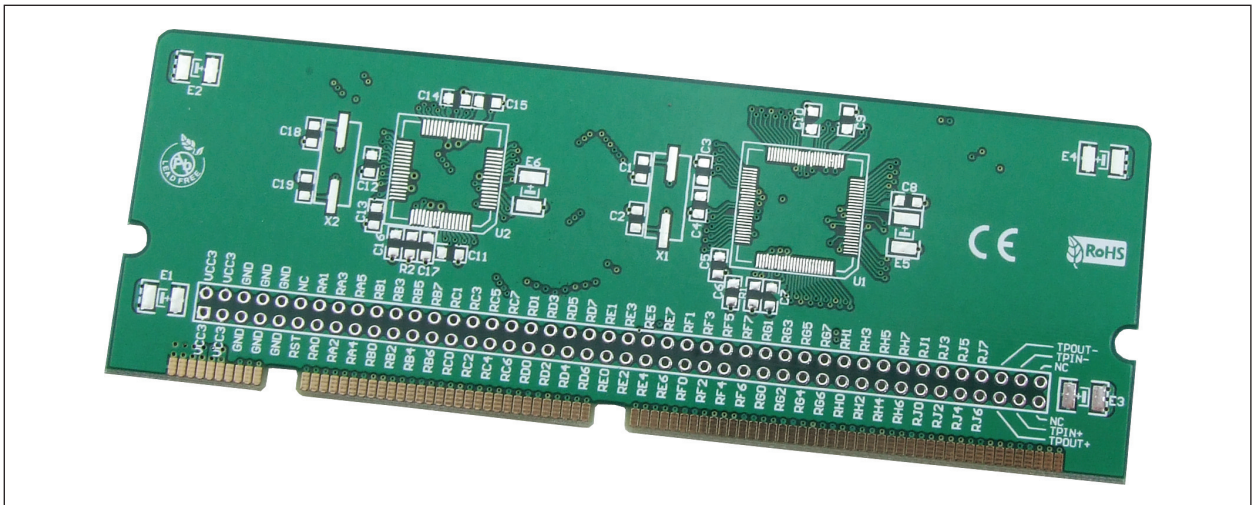


Figure 9: Empty 64- and 100-pin MCU card

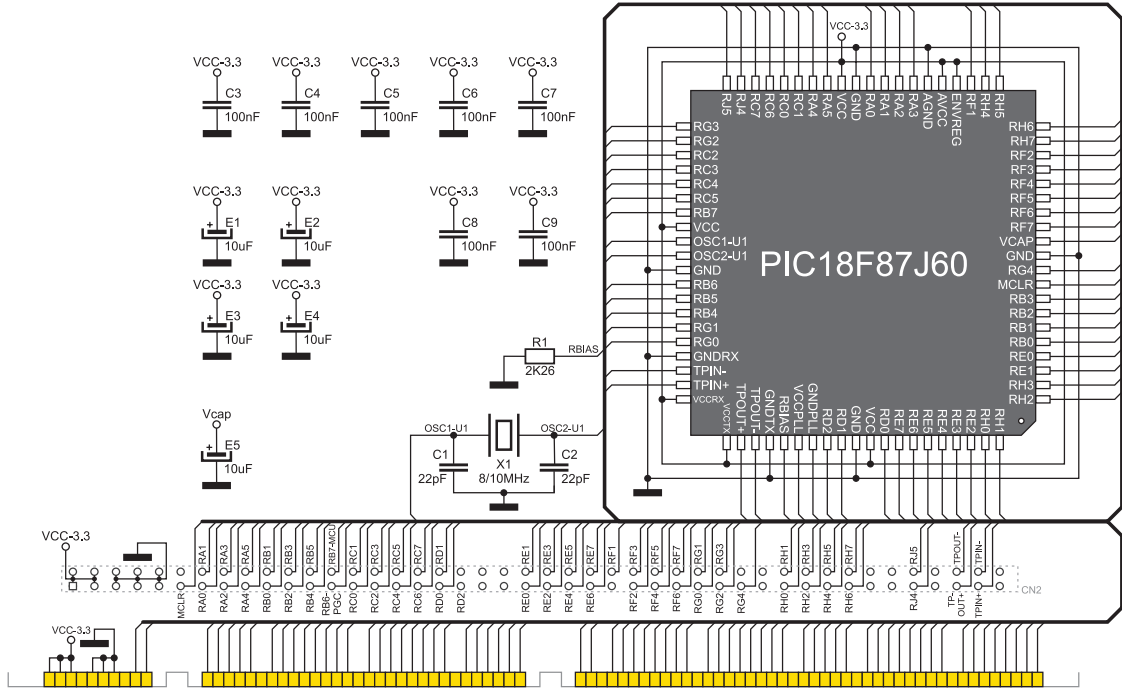


Figure 10: 80-pin ETHERNET MCU card and microcontroller connection schematic

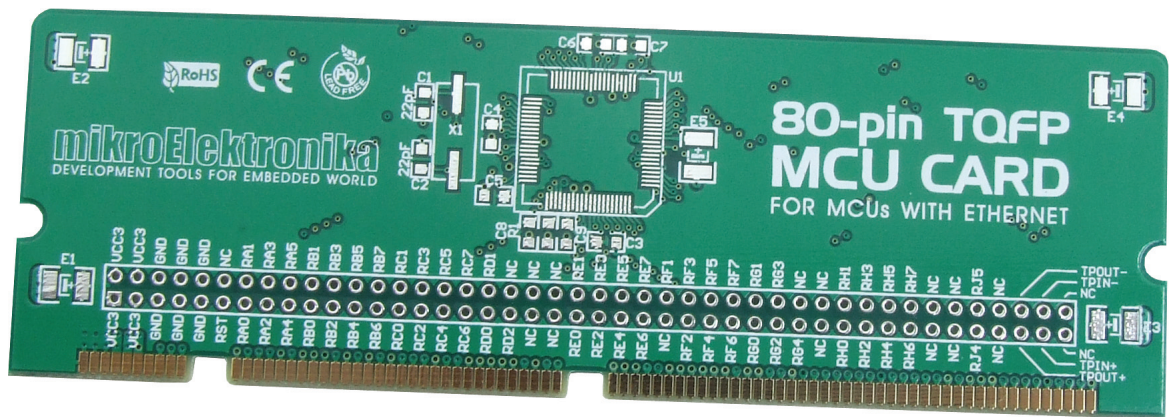


Figure 11: Empty 80-pin ETHERNET MCU card

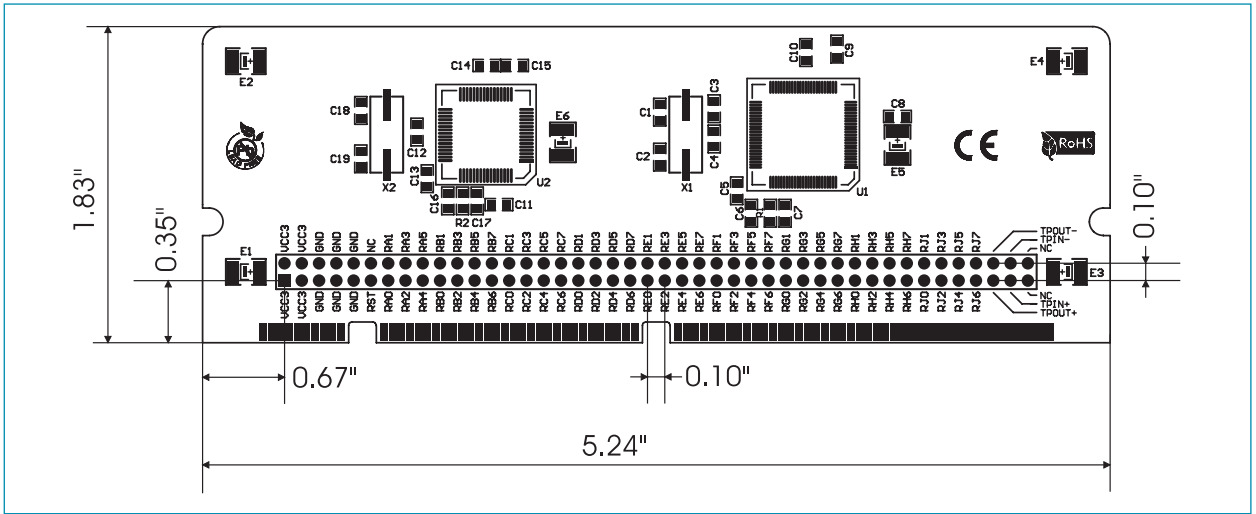


Figure 12: Dimensions of 64-, 100- and 80-pin ETHERNET MCU card







**MikroElektronika**  
SOFTWARE AND HARDWARE SOLUTIONS FOR EMBEDDED WORLD ...making it simple

If you want to learn more about our products, please visit our website at [www.mikroe.com](http://www.mikroe.com)

If you are experiencing some problems with any of our products or just need additional information, please place your ticket at [www.mikroe.com/en/support](http://www.mikroe.com/en/support)

If you have any questions, comments or business proposals, do not hesitate to contact us at [office@mikroe.com](mailto:office@mikroe.com)

# Mouser Electronics

Authorized Distributor

Click to View Pricing, Inventory, Delivery & Lifecycle Information:

[Mikroe:](#)

[MIKROE-454](#)



Компания «ЭлектроПласт» предлагает заключение долгосрочных отношений при поставках импортных электронных компонентов на взаимовыгодных условиях!

Наши преимущества:

- Оперативные поставки широкого спектра электронных компонентов отечественного и импортного производства напрямую от производителей и с крупнейших мировых складов;
- Поставка более 17-ти миллионов наименований электронных компонентов;
- Поставка сложных, дефицитных, либо снятых с производства позиций;
- Оперативные сроки поставки под заказ (от 5 рабочих дней);
- Экспресс доставка в любую точку России;
- Техническая поддержка проекта, помощь в подборе аналогов, поставка прототипов;
- Система менеджмента качества сертифицирована по Международному стандарту ISO 9001;
- Лицензия ФСБ на осуществление работ с использованием сведений, составляющих государственную тайну;
- Поставка специализированных компонентов (Xilinx, Altera, Analog Devices, Intersil, Interpoint, Microsemi, Aeroflex, Peregrine, Syfer, Eurofarad, Texas Instrument, Miteq, Cobham, E2V, MA-COM, Hittite, Mini-Circuits, General Dynamics и др.);

Помимо этого, одним из направлений компании «ЭлектроПласт» является направление «Источники питания». Мы предлагаем Вам помощь Конструкторского отдела:

- Подбор оптимального решения, техническое обоснование при выборе компонента;
- Подбор аналогов;
- Консультации по применению компонента;
- Поставка образцов и прототипов;
- Техническая поддержка проекта;
- Защита от снятия компонента с производства.



#### Как с нами связаться

**Телефон:** 8 (812) 309 58 32 (многоканальный)

**Факс:** 8 (812) 320-02-42

**Электронная почта:** [org@eplast1.ru](mailto:org@eplast1.ru)

**Адрес:** 198099, г. Санкт-Петербург, ул. Калинина, дом 2, корпус 4, литера А.