

High Power Resistive Products



Resistors

AVX introduces its line of High Power Resistive Products. All products are designed and manufactured at our ISO 9001 Facilities.

ELECTRICAL SPECIFICATIONS

Resistance: 50 and 100 Ω standard (10 Ω - 200 Ω available)

Resistance Tolerance: $\pm 5\%$ standard ($\pm 2\%$ available)

Power: 2 Watts through 250 Watts

Operating Temperature Range: -55°C to $+150^{\circ}\text{C}$

Temperature Coefficient: < 150 ppm/ $^{\circ}\text{C}$

Low Capacitance



MECHANICAL SPECIFICATIONS

Package: Surface Mount Chips, Chips, Leaded Chips, Flanged

Substrate Material: Aluminum Nitride

Process: Thin Film

Resistive Material: Tantalum

Terminals: Silver

Cover: Alumina

Mounting Flange: 100% Cu, Ni or Ag Plated

Mechanical Tolerance: ± 0.13 (0.005)

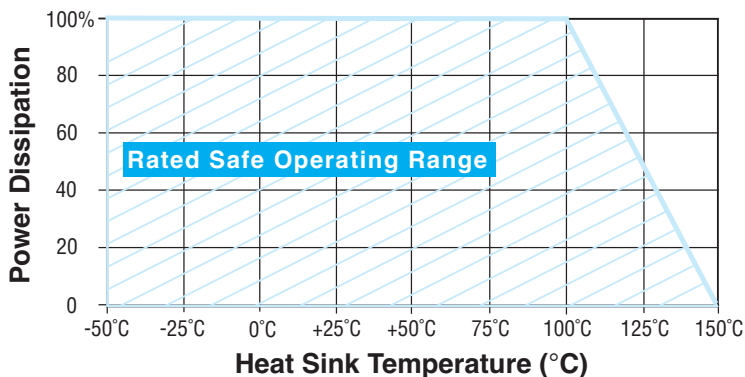
SMT and Chip products, supplied on Tape and Reel

Non-Magnetic (exception RP4 and RP5 Style Surface Mount Resistors)

RoHS Compliant



POWER DERATING



High Power Resistive Products



Resistors

FLANGE MOUNT RESISTORS

GENERAL SPECIFICATIONS

Resistance: 50 and 100 Ω standard
(contact factory for custom resistance values)

Resistive Tolerance: $\pm 5\%$ standard ($\pm 2\%$ available)

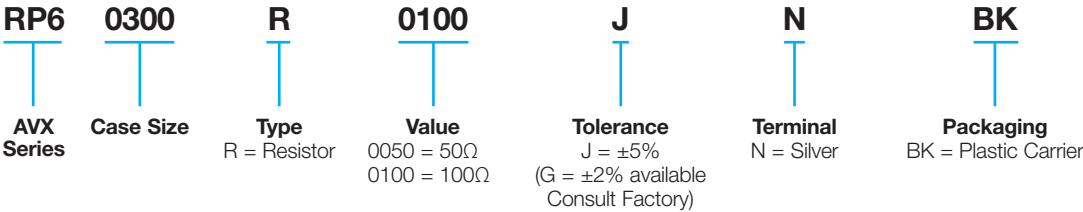
Power: 20-250 Watts

Capacitance: 1.0 pF

Operating Temperature Range: -55°C to $+150^{\circ}\text{C}$

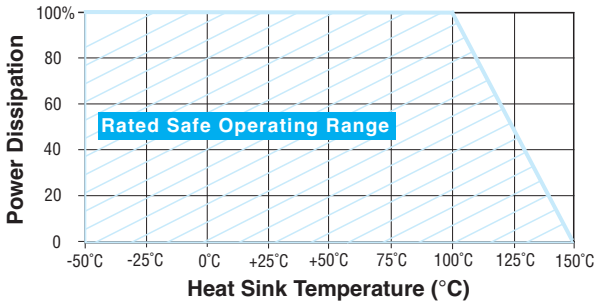
Temperature Coefficient: <150 ppm/ $^{\circ}\text{C}$

HOW TO ORDER



Contact factory for custom ratings and sizes.

POWER DERATING



High Power Resistive Products



Resistors

FLANGE MOUNT RESISTOR – P/N: RP60300RXXXXJNBK

ELECTRICAL SPECIFICATIONS

Resistance: 50 and 100 Ω standard
(other resistance values available)

Resistive Tolerance: $\pm 5\%$ standard ($\pm 2\%$ available)

Power: 20 Watts

Capacitance: 1.0 pF

Operating Temperature Range: -55°C to $+150^{\circ}\text{C}$

Temperature Coefficient: <150 ppm/ $^{\circ}\text{C}$

Tabs: Silver

RoHS Compliant

Non-Magnetic available



mm (inches)

FLANGE MOUNT RESISTOR – P/N: RP60302RXXXXJNBK

ELECTRICAL SPECIFICATIONS

Resistance: 50 and 100 Ω standard
(other resistance values available)

Resistive Tolerance: $\pm 5\%$ standard ($\pm 2\%$ available)

Power: 20 Watts

Capacitance: 1.0pF

Operating Temperature Range: -55°C to $+150^{\circ}\text{C}$

Temperature Coefficient: <150 ppm/ $^{\circ}\text{C}$

Tabs: Silver

RoHS Compliant

Non-Magnetic available



mm (inches)

For Part Number Code, see page 8.



High Power Resistive Products



Resistors

FLANGE MOUNT RESISTOR – P/N: RP60500RXXXXJNBK

ELECTRICAL SPECIFICATIONS

Resistance: 50 and 100 Ω standard
(other resistance values available)

Resistive Tolerance: $\pm 5\%$ standard ($\pm 2\%$ available)

Power: 25 Watts

Capacitance: 1.0pF

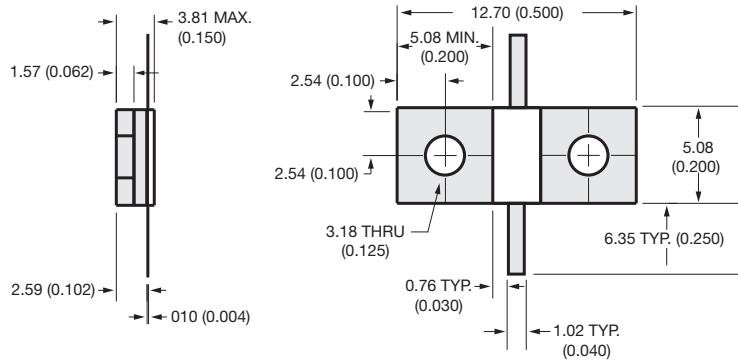
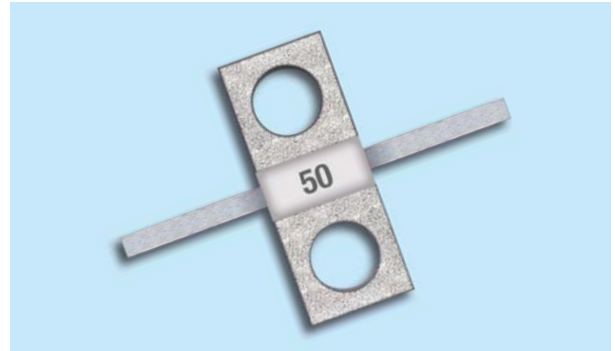
Operating Temperature Range: -55°C to $+150^{\circ}\text{C}$

Temperature Coefficient: <150 ppm/ $^{\circ}\text{C}$

Tabs: Silver

RoHS Compliant

Non-Magnetic available



mm (inches)

FLANGE MOUNT RESISTOR – P/N: RP60515RXXXXJNBK

ELECTRICAL SPECIFICATIONS

Resistance: 50 and 100 Ω standard
(other resistance values available)

Resistive Tolerance: $\pm 5\%$ standard ($\pm 2\%$ available)

Power: 60 Watts

Capacitance: 2.0 pF

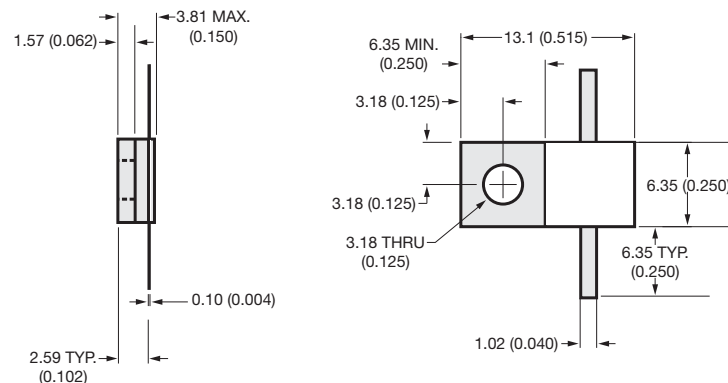
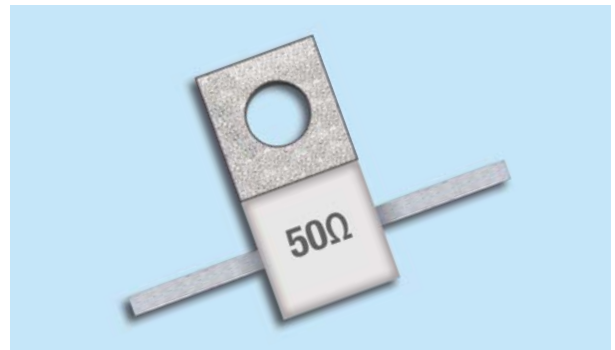
Operating Temperature Range: -55°C to $+150^{\circ}\text{C}$

Temperature Coefficient: <150 ppm/ $^{\circ}\text{C}$

Tabs: Silver

RoHS Compliant

Non-Magnetic available



mm (inches)

For Part Number Code, see page 8.



High Power Resistive Products



Resistors

FLANGE MOUNT RESISTOR – P/N: RP60517RXXXJNBK

ELECTRICAL SPECIFICATIONS

Resistance: 50 and 100 Ω standard
(other resistance values available)

Resistive Tolerance: $\pm 5\%$ standard ($\pm 2\%$ available)

Power: 60 Watts

Capacitance: 2.2 pF

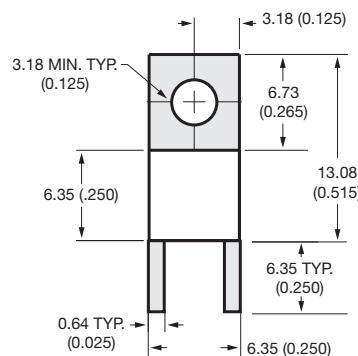
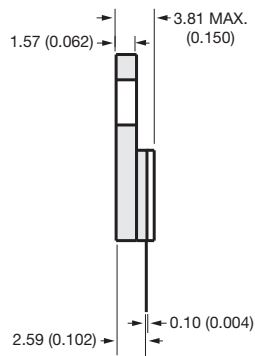
Operating Temperature Range: -55°C to $+150^{\circ}\text{C}$

Temperature Coefficient: <150 ppm/ $^{\circ}\text{C}$

Tabs: Silver

RoHS Compliant

Non-Magnetic available



mm (inches)

FLANGE MOUNT RESISTOR – P/N: RP60560RXXXJNBK

ELECTRICAL SPECIFICATIONS

Resistance: 50 and 100 Ω standard
(other resistance values available)

Resistive Tolerance: $\pm 5\%$ standard ($\pm 2\%$ available)

Power: 75 Watts

Capacitance: 4.15 pF

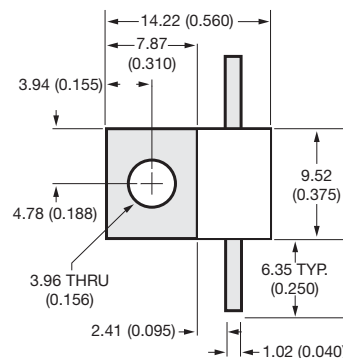
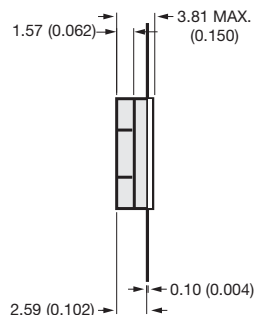
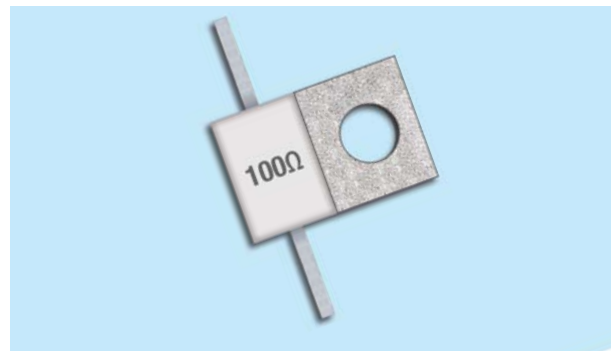
Operating Temperature Range: -55°C to $+150^{\circ}\text{C}$

Temperature Coefficient: <150 ppm/ $^{\circ}\text{C}$

Tabs: Silver

RoHS Compliant

Non-Magnetic available



mm (inches)

For Part Number Code, see page 8.



High Power Resistive Products



Resistors

FLANGE MOUNT RESISTOR – P/N: RP60870RXXXXJNBK ELECTRICAL SPECIFICATIONS

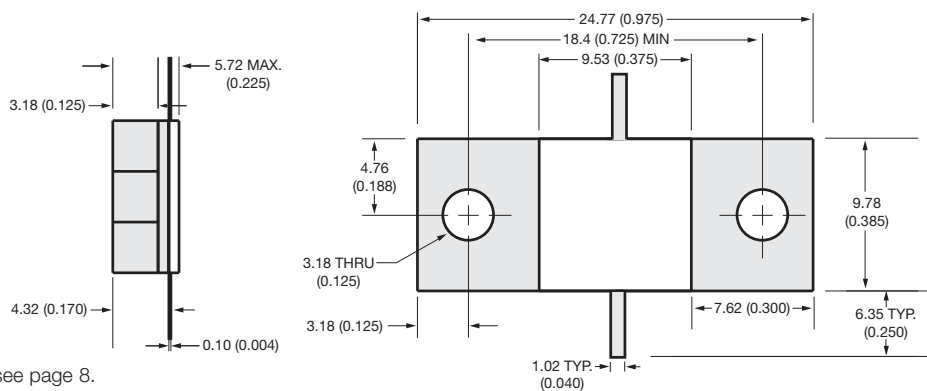
- Resistance:** 50 and 100 Ω standard (other resistance values available)
- Resistive Tolerance:** $\pm 5\%$ standard ($\pm 2\%$ available)
- Power:** 150 Watts
- Capacitance:** 4.15 pF
- Operating Temperature Range:** -55°C to $+150^{\circ}\text{C}$
- Temperature Coefficient:** <150 ppm/ $^{\circ}\text{C}$
- Tab:** Silver
- RoHS Compliant**
- Non-Magnetic available**



mm (inches)

FLANGE MOUNT RESISTOR – P/N: RP60975RXXXXJNBK ELECTRICAL SPECIFICATIONS

- Resistance:** 50 and 100 Ω standard (other resistance values available)
- Resistive Tolerance:** $\pm 5\%$ standard ($\pm 2\%$ available)
- Power:** 250 Watts
- Capacitance:** 6.5 pF
- Operating Temperature Range:** -55°C to $+150^{\circ}\text{C}$
- Temperature Coefficient:** <150 ppm/ $^{\circ}\text{C}$
- RoHS Compliant**
- Non-Magnetic available**



mm (inches)

For Part Number Code, see page 8.



High Power Resistive Products



Resistors

FLANGE MOUNT RESISTOR – P/N: RP60562RXXXXJNBK

ELECTRICAL SPECIFICATIONS

Resistance: 50 and 100 Ω standard
(other resistance values available)

Resistive Tolerance: $\pm 5\%$ standard ($\pm 2\%$ available)

Power: 75 Watts

Capacitance: 4.15 pF

Operating Temperature Range: -55°C to $+150^{\circ}\text{C}$

Temperature Coefficient: <150 ppm/ $^{\circ}\text{C}$

Tabs: Silver

RoHS Compliant

Non-Magnetic available



mm (inches)

FLANGE MOUNT RESISTOR – P/N: RP60800RXXXXJNBK

ELECTRICAL SPECIFICATIONS

Resistance: 50 and 100 Ω standard
(other resistance values available)

Resistive Tolerance: $\pm 5\%$ standard ($\pm 2\%$ available)

Power: 100 Watts

Capacitance: 3.10 pF

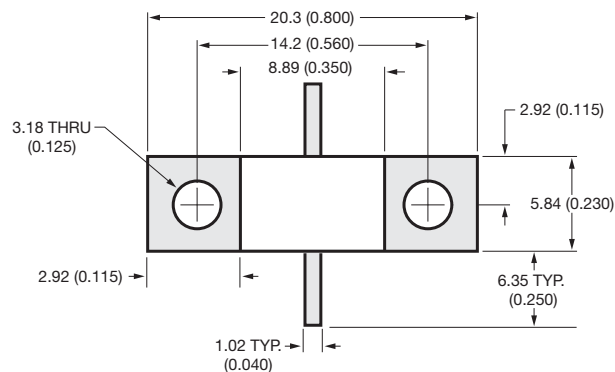
Operating Temperature Range: -55°C to $+150^{\circ}\text{C}$

Temperature Coefficient: <150 ppm/ $^{\circ}\text{C}$

Tabs: Silver

RoHS Compliant

Non-Magnetic available



mm (inches)

For Part Number Code, see page 8.



Компания «ЭлектроПласт» предлагает заключение долгосрочных отношений при поставках импортных электронных компонентов на взаимовыгодных условиях!

Наши преимущества:

- Оперативные поставки широкого спектра электронных компонентов отечественного и импортного производства напрямую от производителей и с крупнейших мировых складов;
- Поставка более 17-ти миллионов наименований электронных компонентов;
- Поставка сложных, дефицитных, либо снятых с производства позиций;
- Оперативные сроки поставки под заказ (от 5 рабочих дней);
- Экспресс доставка в любую точку России;
- Техническая поддержка проекта, помощь в подборе аналогов, поставка прототипов;
- Система менеджмента качества сертифицирована по Международному стандарту ISO 9001;
- Лицензия ФСБ на осуществление работ с использованием сведений, составляющих государственную тайну;
- Поставка специализированных компонентов (Xilinx, Altera, Analog Devices, Intersil, Interpoint, Microsemi, Aeroflex, Peregrine, Syfer, Eurofarad, Texas Instrument, Miteq, Cobham, E2V, MA-COM, Hittite, Mini-Circuits, General Dynamics и др.);

Помимо этого, одним из направлений компании «ЭлектроПласт» является направление «Источники питания». Мы предлагаем Вам помощь Конструкторского отдела:

- Подбор оптимального решения, техническое обоснование при выборе компонента;
- Подбор аналогов;
- Консультации по применению компонента;
- Поставка образцов и прототипов;
- Техническая поддержка проекта;
- Защита от снятия компонента с производства.



Как с нами связаться

Телефон: 8 (812) 309 58 32 (многоканальный)

Факс: 8 (812) 320-02-42

Электронная почта: org@eplast1.ru

Адрес: 198099, г. Санкт-Петербург, ул. Калинина, дом 2, корпус 4, литера А.