

**PLEASE CHECK WWW.MOLEX.COM FOR LATEST PART INFORMATION**

**Part Number:** [0522071260](#)  
**Status:** **Active**  
**Overview:**  
**Description:** 1.00mm (.039") Pitch FFC/FPC Connector, SMT, Right Angle, ZIF, Top Contact Style Receptacle, 12 Circuits, Lead-free, Gold Contact Plating, High Barrier Packaging

**Agency Certification**

CSA LR19980  
 UL E29179

**General**

Product Family FFC/FPC Connectors  
 Series 52207  
 Overview ffc\_fpc\_smt  
 Product Name N/A

**Physical**

Circuits (Loaded) 12  
 Color - Resin Natural  
 Contact Position Top  
 Durability (mating cycles max) 30  
 Entry Angle 90° Angle  
 Flammability 94V-0  
 Mated Height (in) 0.106 In  
 Mated Height (mm) 2.70 mm  
 Material - Metal Phosphor Bronze  
 Material - Plating Mating Gold  
 Material - Plating Termination Tin  
 Material - Resin Nylon  
 Number of Rows 1  
 Orientation Right Angle  
 PC Tail Length (in) 0.079 In  
 PC Tail Length (mm) 2.00 mm  
 PCB Locator No  
 PCB Retention Yes  
 Packaging Type Embossed Tape on Reel  
 Pitch - Mating Interface (in) 0.039 In  
 Pitch - Mating Interface (mm) 1.00 mm  
 Polarized to PCB Yes  
 Stackable No  
 Temperature Range - Operating -30°C to +85°C  
 Termination Interface: Style Surface Mount  
 Wire/Cable Type FFC/FPC

**Electrical**

Current - Maximum per Contact 1A  
 Voltage - Maximum 125V

**Material Info**

**Reference - Drawing Numbers**

Packaging Specification SPK-52207-002  
 Product Specification PS-52207-048, RPS-52207-073, RPS-52207-075, RPS-52207-078, RPS-52207-084, RPS-52207-090, RPS-52207-092, RPS-52207-094, RPS-52207-099, RPS-52207-101, RPS-52207-104, RPS-52207-106  
 Sales Drawing SD-52207-064, SD-52207-065

**EU RoHS**

**ELV and RoHS Compliant**  
**REACH SVHC Contains SVHC: No**  
**Halogen-Free Status**

**China RoHS**



**Not Halogen-Free**

**Need more information on product environmental compliance?**

Email [productcompliance@molex.com](mailto:productcompliance@molex.com)  
 For a multiple part number RoHS Certificate of Compliance, [click here](#)

Please visit the [Contact Us](#) section for any non-product compliance questions.

**Search Parts in this Series**  
[52207Series](#)

This document was generated on 06/04/2010

**PLEASE CHECK [WWW.MOLEX.COM](http://WWW.MOLEX.COM) FOR LATEST PART INFORMATION**

注記 NOTES

△ 接点部までの嵌合長さ。  
MATING LENGTH TO CONTACT POINT.

2. 使用材料 MATERIAL  
ハウジング : 46ナイロン (耐熱性), UL94V-0  
ハウジング : HEAT-RESISTANT NYLON46, UL94V-0  
アクチュエータ : PPS, UL94V-0  
アクチュエータ : PPS, UL94V-0  
ターミナル : リン青銅 (t=0.32)  
ターミナル : LIN BRONZE (t=0.32)

メッキ  
コンタクト部 : 金メッキ 0.1マイクロメートル以上  
テール部 : 錫メッキ 1.0マイクロメートル以上  
下地メッキ : ニッケル 1.0マイクロメートル以上

TERMINAL : PHOS-BRO.(I=0.32)  
PLATED  
CONTACT AREA : GOLD PLATED 0.1MICROMETER MIN.  
TAIL AREA : TIN PLATED 1.0MICROMETER MIN.  
OVER PLATED : NICKEL PLATED 1.0MICROMETER MIN.

金具

メッキ : 銅合金 (t=0.25)  
メッキ : 錫メッキ 1マイクロメートル以上  
下地メッキ : ニッケル 1マイクロメートル以上

FITTING NAIL : PHOS-BRO.(I=0.25)  
PLATED  
OVER PLATED : TIN PLATED 1MICROMETER MIN.  
OVER PLATED : NICKEL PLATED 1MICROMETER MIN.

△ パターンはくり止め用金具  
FITTING NAIL FOR PREVENTION OF FOOT PRINT PEELING.

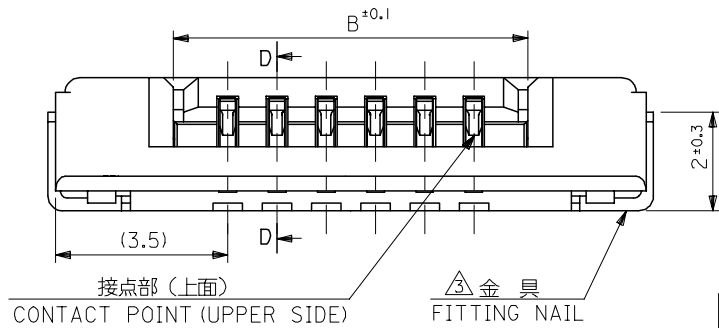
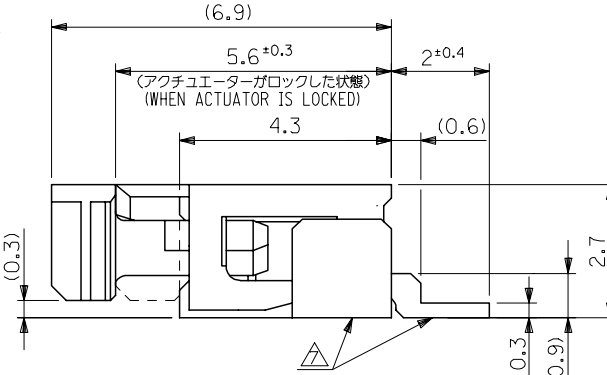
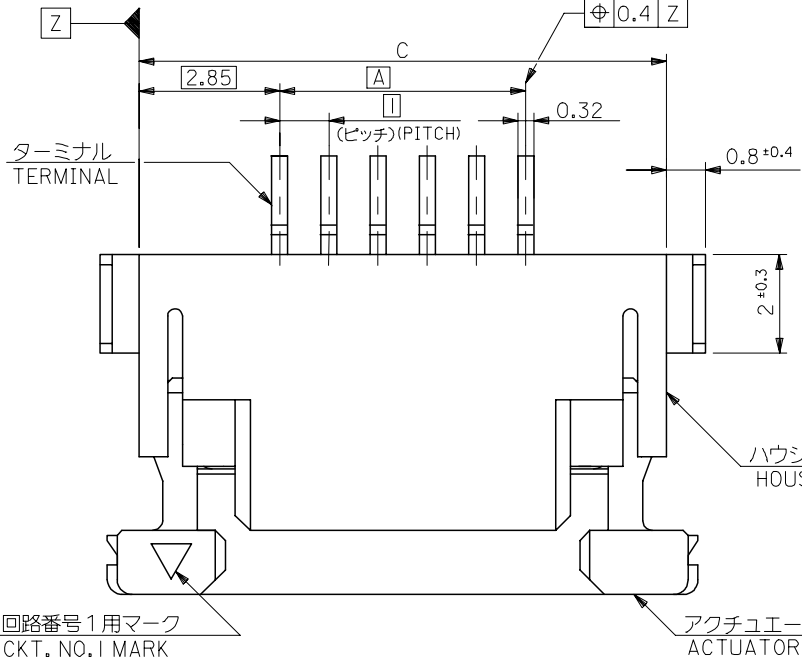
4. エンボステープ梱包時は、アクチュエータが  
ロックした状態とする。  
ACTUATOR TO BE LOCKED IN EMBOSSED TAPE PACKAGE.

△ F.P.C挿入深さ  
INSERTION DEPTH OF FPC.

△ パターン書き込み禁止エリア。  
NO FOOT PRINT AREA.

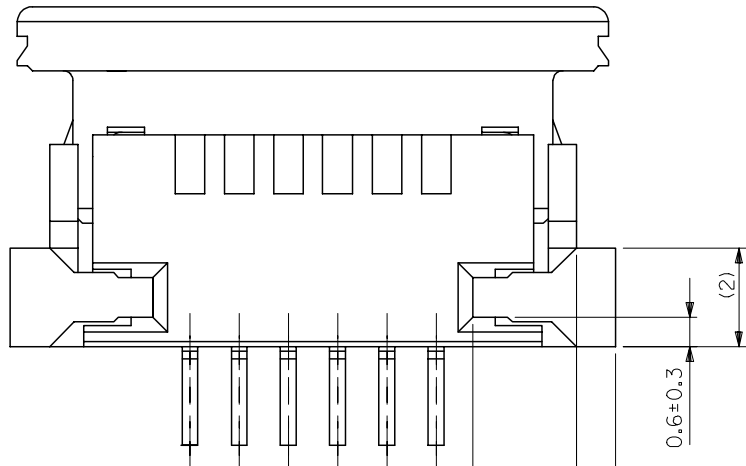
△ テール及び金具の平坦度は、0.15以下とする。  
COPLANARITY OUT OF SPECIFICATION.  
TAIL : 0.15 MAX.  
NAIL : 0.15 MAX.

8. 本製品は 52207-xx\*19 の鉛フリー品である。  
THIS PRODUCT IS GOLD PLATING OF 52207-xx\*19.

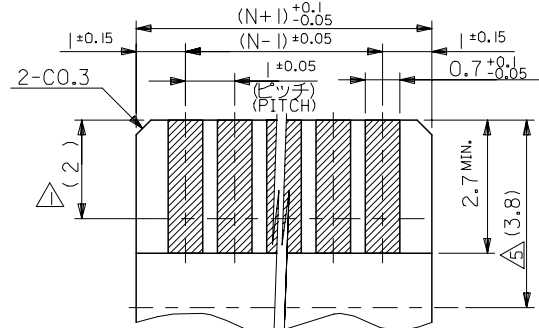


|      |      |    |                       |          |
|------|------|----|-----------------------|----------|
| 34.7 | 31.2 | 29 | 52207-3067            | 30       |
| 33.7 | 30.2 | 28 | 52207-2967            | 29       |
| 32.7 | 29.2 | 27 | 52207-2867            | 28       |
| 31.7 | 28.2 | 26 | 52207-2767            | 27       |
| 30.7 | 27.2 | 25 | 52207-2667            | 26       |
| 29.7 | 26.2 | 24 | 52207-2567            | 25       |
| 28.7 | 25.2 | 23 | 52207-2467            | 24       |
| 27.7 | 24.2 | 22 | 52207-2367            | 23       |
| 26.7 | 23.2 | 21 | 52207-2267            | 22       |
| 25.7 | 22.2 | 20 | 52207-2167            | 21       |
| 24.7 | 21.2 | 19 | 52207-2067            | 20       |
| 23.7 | 20.2 | 18 | 52207-1967            | 19       |
| 22.7 | 19.2 | 17 | 52207-1867            | 18       |
| 21.7 | 18.2 | 16 | 52207-1767            | 17       |
| 20.7 | 17.2 | 15 | 52207-1667            | 16       |
| 19.7 | 16.2 | 14 | 52207-1567            | 15       |
| 18.7 | 15.2 | 13 | 52207-1467            | 14       |
| 17.7 | 14.2 | 12 | 52207-1367            | 13       |
| 16.7 | 13.2 | 11 | 52207-1267            | 12       |
| 15.7 | 12.2 | 10 | 52207-1167            | 11       |
| 14.7 | 11.2 | 9  | 52207-1067            | 10       |
| 13.7 | 10.2 | 8  | 52207-0967            | 9        |
| 12.7 | 9.2  | 7  | 52207-0867            | 8        |
| 11.7 | 8.2  | 6  | 52207-0767            | 7        |
| 10.7 | 7.2  | 5  | 52207-0667            | 6        |
| 9.7  | 6.2  | 4  | 52207-0567            | 5        |
| 8.7  | 5.2  | 3  | 52207-0467            | 4        |
| 7.7  | 4.2  | 2  | 52207-0367            | 3        |
| C    | B    | A  | MATERIAL NO.          | 板数       |
|      |      |    | MODEL NO. 52207-xx*67 | CIRCUITS |

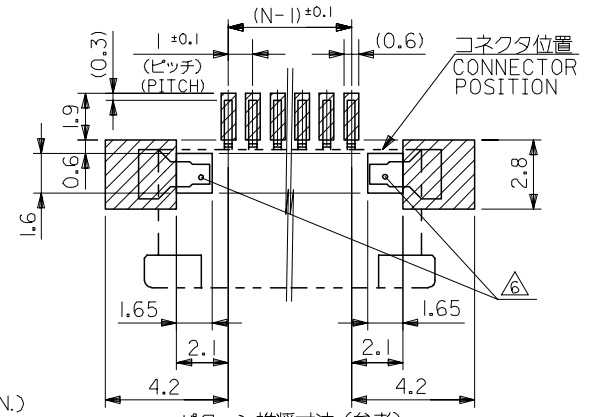
|   |  |       |                            |                    |  |                        |                           |  |
|---|--|-------|----------------------------|--------------------|--|------------------------|---------------------------|--|
| REVISED<br>EC NO: J2007-0873<br>DRWN: YOTANI 2006/09/22<br>CHKD: Y. MAEDA 2007/03/23<br>APPR: NUKITA 2007/03/26 | GENERAL TOLERANCES<br>(UNLESS SPECIFIED)                   |       | DIMENSION STYLE<br>MM ONLY |                    | SCALE<br>10:1  | DESIGN UNITS<br>METRIC | THIRD ANGLE<br>PROJECTION |  |
|   | 10 UNDER   | ±0.2  | DRAWN BY<br>M. UMEDA       | DATE<br>2005/03/02 | TITLE<br>1.0 FPC CONN. ZIF SMT<br>HSG ASSY<br>-LEAD FREE-  |                        |                           |  |
|   | 10 OVER 30 UNDER   | ±0.25 | CHECKED BY<br>K. TOYODA    | DATE<br>2005/03/02 | MOLEX INCORPORATED   |                        |                           |  |
|   | 30 OVER  | ±0.3  | APPROVED BY<br>N. UKITA    | DATE<br>2005/03/02 | DOCUMENT NO.<br>SD-52207-064   |                        |                           |  |
|   | ANGULAR  | ±1 °  | MATERIAL NO.<br>SEE CHART  |                    | SHEET NO.<br>1 OF 2  |                        |                           |  |
|   | DRAFT WHERE APPLICABLE<br>MUST REMAIN<br>WITHIN DIMENSIONS |       | SIZE<br>A3                 |                    | THIS DRAWING CONTAINS INFORMATION THAT IS PROPRIETARY TO MOLEX<br>INCORPORATED AND SHOULD NOT BE USED WITHOUT WRITTEN PERMISSION |                        |                           |  |



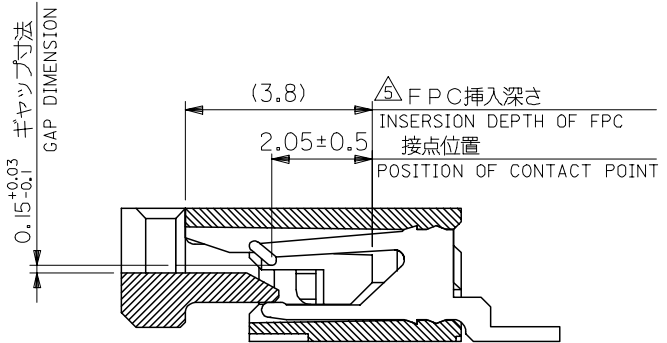
下面図  
BOTTOM VIEW



(仕上り厚さ: 0.3±0.05) (メッキ厚: 0.1 μm MIN.)  
 (THICKNESS: 0.3±0.05) (PLATING THICKNESS: 0.1 μm MIN.)  
 適合FPC/FPC推奨寸法  
 RECOMMENDED APPLICABLE  
 FPC/FFC LAYOUT



パターン推奨寸法 (参考)  
 RECOMMENDED PATTERN DIM.(REF.)



断面D-D  
SECT.D-D

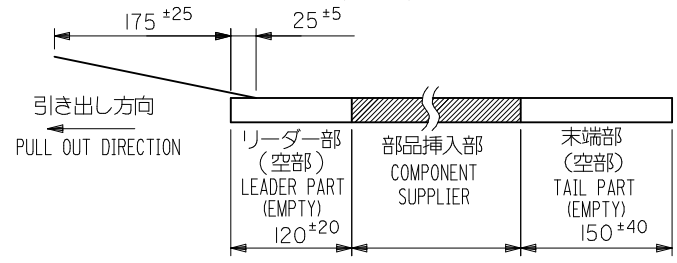
FPCについて:  
 打抜き方向は、導体側から補強板側を推奨いたします。  
 補強フィルム材質は、ポリイミドを推奨いたします。  
 接着剤は、熱硬化接着剤を推奨いたします。

ABOUT FPC:  
 RECOMMENDED PUNCHER DIRECTION: FROM CONDUCTOR SIDE TO STIFFENER BOARD SIDE.  
 RECOMMENDED MATERIAL:  
 STIFFENER FILM: POLYIMIDE  
 BONDING AGENT: THERMOSETTING BONDING AGENT

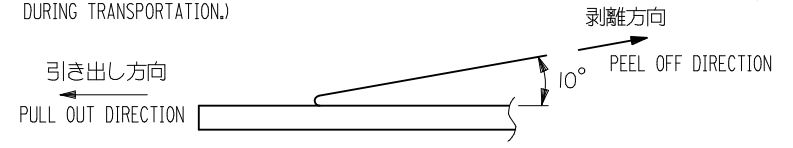
|  |                                       |            |                            |   |   |                        |
|--|---------------------------------------|------------|----------------------------|---|---|------------------------|
| REVISED<br>EC NO: J2007-0873<br>DRWN: OTANI 2006/09/22<br>CHKD: Y. MAEDA 2007/03/23<br>APPR: NUKITA 2007/03/26 | GENERAL TOLERANCES (UNLESS SPECIFIED) |            | DIMENSION STYLE<br>MM ONLY | SCALE<br>10:1   | DESIGN UNITS<br>METRIC                                    | THIRD ANGLE PROJECTION |
|  | 10 UNDER                              | ±0.2       | DRAWN BY<br>M.UMEDA        | DATE<br>2005/03/02  | TITLE<br>1.0 FPC CONN. ZIF SMT<br>HSG ASSY<br>-LEAD FREE- |                        |
|  | 10 OVER 30 UNDER                      | ±0.25      | CHECKED BY<br>K.TOYODA     | DATE<br>2005/03/02  | MOLEX INCORPORATED  |                        |
|  | 30 OVER                               | ±0.3       | APPROVED BY<br>N.NUKITA    | DATE<br>2005/03/02  | MATERIAL NO.  | SHEET NO.<br>2 OF 2    |
|  | ANGULAR                               | ±1 °       | SEE SHEET 1                |   | DOCUMENT NO.<br>SD-52207-064                              |                        |
| DRAFT WHERE APPLICABLE MUST REMAIN WITHIN DIMENSIONS   |                                       | SIZE<br>A3 |                            | THIS DRAWING CONTAINS INFORMATION THAT IS PROPRIETARY TO MOLEX INCORPORATED AND SHOULD NOT BE USED WITHOUT WRITTEN PERMISSION |   |                        |

注記

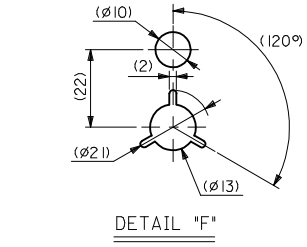
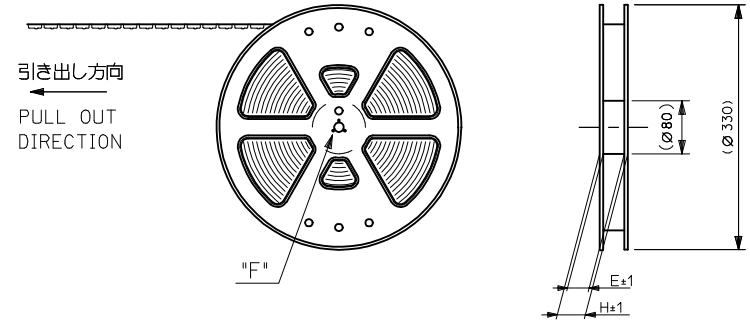
- 製品番号 52207-\*\*67 の梱包状態はアクチュエータがロックした状態とする。  
 詳細寸法については図面 SD-52207-064 を参照下さい。  
 IN THE PACKAGE, ACTUATOR OF PART NO. 52207-\*\*67 SHOULD BE LOCKED  
 RE DETAILED DIMENSIONS, SEE SD-52207-064
- 梱包数量：1000個/リール  
 NUMBER OF CONNECTORS: 1000PCS/REEL
- リードテープ長さ(LEAD TAPE LENGTH)  
 トップテープ TOP TAPE      トップテープ TOP TAPE  
 リーダー部 LEADER PART      未接着部 NON-BONDED PART



- トップテープの剥離強度：0.1~1.3N (10gf~130gf) (剥離方向は下図参照)  
 尚、本規格値は、出荷時に適用。(但し、輸送時に剥離が発生しない事。)  
 PEELING OFF FORCE OF TOP TAPE: 0.1~1.3N (10gf~130gf)  
 (PEELING DIRECTION AS SHOWN IN FOLLOWING FIG.)  
 THIS REQUIREMENT SHOULD BE APPLIED AT SHIPMENT. (PEEL OFF SHOULD NOT BE ALLOWED, DURING TRANSPORTATION.)

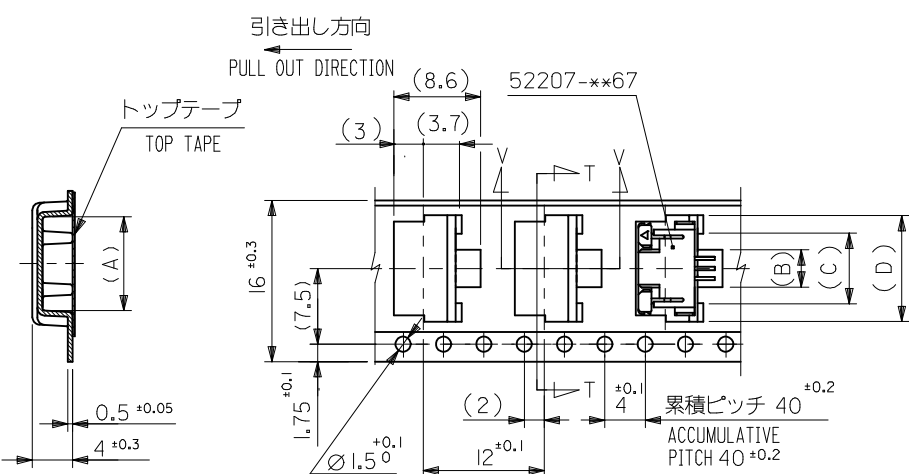


- 材料 (MATERIAL)  
 キャリアテープ (CARRIER TAPE): ポリプロピレン (POLYPROPYLENE)  
 トップテープ (TOPTAPE): PET, PE, PEF  
 リール (REEL): ポリスチレン (PS) <リサイクル材を含む>  
 POLYSTYRENE (PS) <RECYCLE MATERIAL CONTAINED>
- 本製品は 52207-\*\*85 の金メッキ品である。  
 THIS PRODUCT IS GOLD PLATING OF 52207-\*\*85.
- 本製品は乾燥剤入り、ハイバリア梱包仕様である。  
 THIS PRODUCT IS HIGH BARRIER PACKAGE WITH DESICCANT.

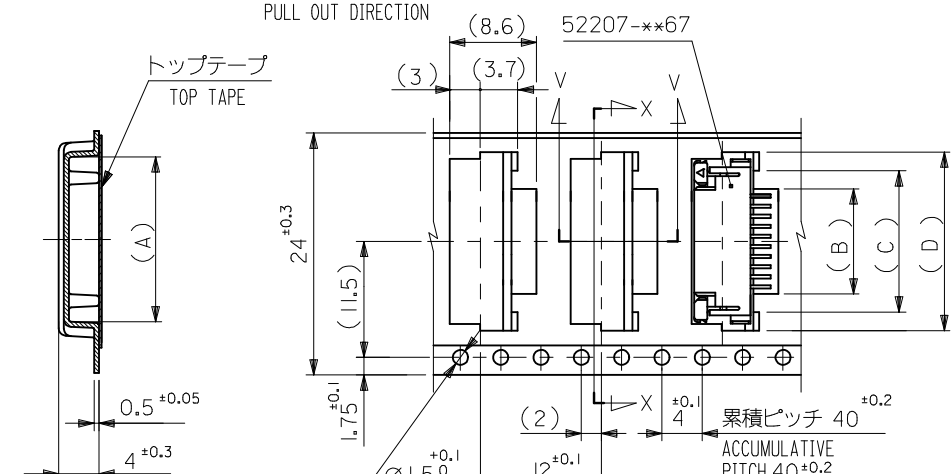


MODEL No.52207-\*\*60

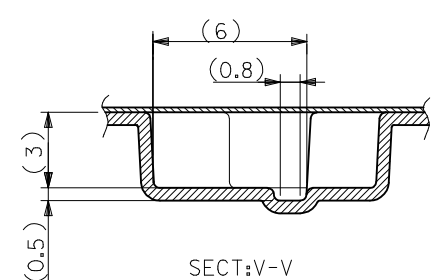
|  |                    |  |       |   |                    |  |                        |                              |                     |  |
|--|--------------------|--|-------|---|--------------------|--|------------------------|------------------------------|---------------------|--|
| REVISED<br>EC NO: J2009-2061<br>DRWN:TKON 2009/05/20<br>CHKD:HMATSUMOTO 2009/05/21<br>APPR:NUKITA 2009/05/21 | DESCRIPTION<br>REV | GENERAL TOLERANCES (UNLESS SPECIFIED)                                |       | DIMENSION STYLE<br>MM ONLY  |                    | SCALE<br>---   | DESIGN UNITS<br>METRIC | THIRD ANGLE PROJECTION       |                     |  |
|  |                    | 10 UNDER   | ±0.2  | DRAWN BY<br>M.UMEDA   | DATE<br>2005/03/03 | TITLE<br>1.0 FPC CONN. ZIF SMT WITH EMBSTP PKG -LEAD FREE- |                        |                              |                     |  |
|  |                    | 10 OVER 30 UNDER   | ±0.25 | CHECKED BY<br>K.TOYODA  | DATE<br>2005/03/03 | MOLEX INCORPORATED   |                        |                              |                     |  |
|  |                    | 30 OVER  | ±0.3  | APPROVED BY<br>N.UKITA  | DATE<br>2005/03/03 | MATERIAL NO.<br>SEE SHEET 2                                |                        | DOCUMENT NO.<br>SD-52207-065 | SHEET NO.<br>1 OF 5 |  |
|  |                    | ANGULAR ±1 °<br>DRAFT WHERE APPLICABLE MUST REMAIN WITHIN DIMENSIONS |       | THIS DRAWING CONTAINS INFORMATION THAT IS PROPRIETARY TO MOLEX INCORPORATED AND SHOULD NOT BE USED WITHOUT WRITTEN PERMISSION |                    |  |                        |                              |                     |  |



SECT:T-T  
16mm 幅 キャリアテープ  
16mm WIDTH CARRIER TAPE



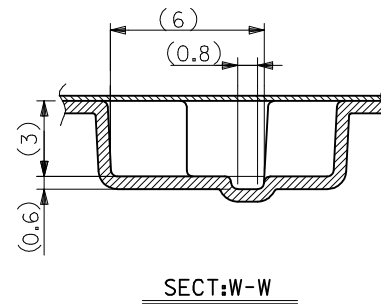
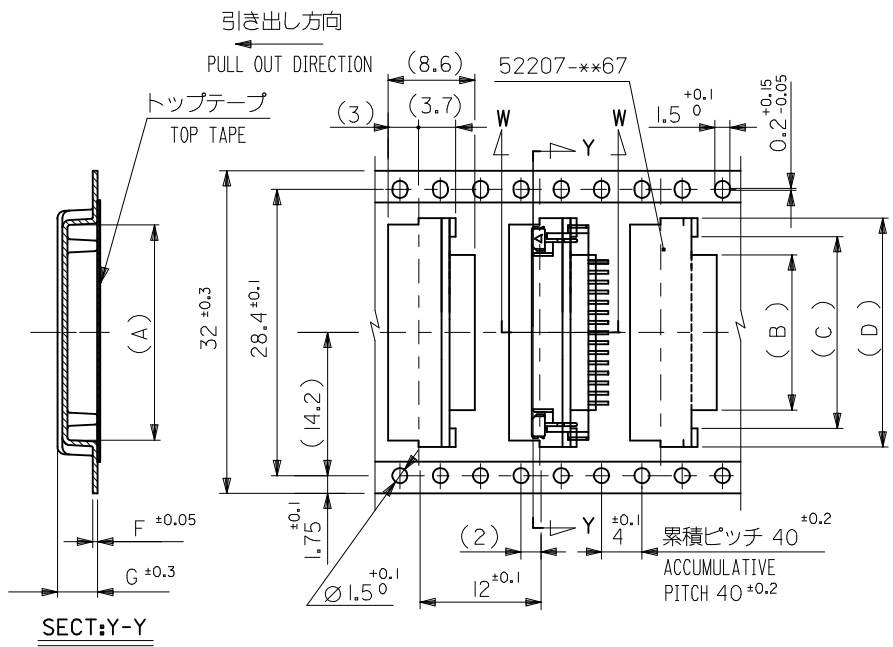
SECT:X-X  
24mm 幅 キャリアテープ  
24mm WIDTH CARRIER TAPE



SECT:V-V

|                                |      |      |      |     |      |      |                                      |            |
|--------------------------------|------|------|------|-----|------|------|--------------------------------------|------------|
| 24                             | 29.4 | 25.4 | 18.5 | 15  | 11.7 | 17.3 | 52207-1160                           | 11         |
|                                |      |      | 17.5 | 14  | 10.7 | 16.3 | 52207-1060                           | 10         |
|                                |      |      | 16.5 | 13  | 9.7  | 15.3 | 52207-0960                           | 9          |
|                                |      |      | 15.5 | 12  | 8.7  | 14.3 | 52207-0860                           | 8          |
|                                |      |      | 14.5 | 11  | 7.7  | 13.3 | 52207-0760                           | 7          |
|                                |      |      | 13.5 | 10  | 6.7  | 12.3 | 52207-0660                           | 6          |
|                                |      |      | 12.5 | 9   | 5.7  | 11.3 | 52207-0560                           | 5          |
|                                |      |      | 11.5 | 8   | 4.7  | 10.3 | 52207-0460                           | 4          |
| 16                             | 21.4 | 17.4 | 10.5 | 7   | 3.7  | 9.3  | 52207-0360                           | 3          |
| キャリアテープ幅<br>CARRIER TAPE WIDTH | H    | E    | (D)  | (C) | (B)  | (A)  | MATERIAL NO.<br>MODEL NO. 52207-**60 | 極数<br>CKT. |

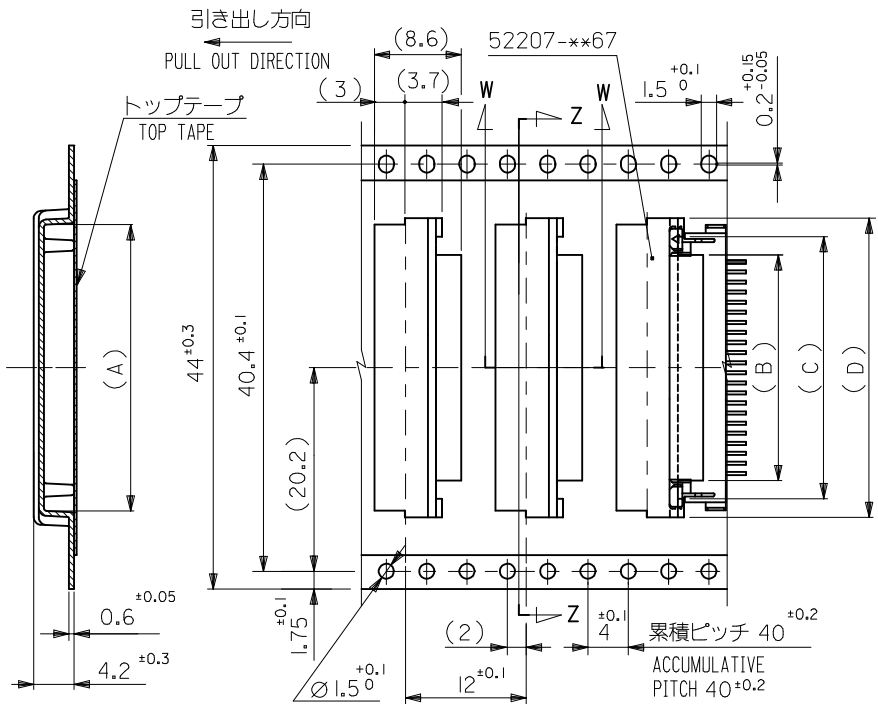
|   |                                       |  |                            |                    |   |                        |                        |
|---|---------------------------------------|--|----------------------------|--------------------|---|------------------------|------------------------|
| REVISED<br>EC NO.: J2009-2061<br>DRWN:TKON 2009/05/20<br>CHKD:HMATSUMOTO 2009/05/21<br>APPR:NUKITA 2009/05/21 | GENERAL TOLERANCES (UNLESS SPECIFIED) |  | DIMENSION STYLE<br>MM ONLY |                    | SCALE<br>---  | DESIGN UNITS<br>METRIC | THIRD ANGLE PROJECTION |
|   | 10 UNDER                              | ±0.2   | DRAWN BY<br>M.UMEDA        | DATE<br>2005/03/03 | TITLE<br>1.0 FPC CONN. ZIF SMT WITH EMBSTP PKG -LEAD FREE-  |                        |                        |
|   | 10 OVER 30 UNDER                      | ±0.25  | CHECKED BY<br>K.TOYODA     | DATE<br>2005/03/03 | MOLEX INCORPORATED  |                        |                        |
|   | 30 OVER                               | ±0.3   | APPROVED BY<br>N.UKITA     | DATE<br>2005/03/03 | DOCUMENT NO.<br>SD-52207-065  | SHEET NO.<br>2 OF 5    |                        |
| REV   | DESCRIPTION                           | ANGULAR ±1 °   | MATERIAL NO.<br>SEE TABLE  |                    | THIS DRAWING CONTAINS INFORMATION THAT IS PROPRIETARY TO MOLEX INCORPORATED AND SHOULD NOT BE USED WITHOUT WRITTEN PERMISSION |                        |                        |
|   |                                       | DRAFT WHERE APPLICABLE MUST REMAIN WITHIN DIMENSIONS |                            |                    |   |                        |                        |



32mm 幅 キャリアテープ  
32mm WIDTH CARRIER TAPE

|                                |      |      |     |     |      |     |      |       |                       |            |
|--------------------------------|------|------|-----|-----|------|-----|------|-------|-----------------------|------------|
| 32                             | 37.4 | 33.4 | 4.0 | 0.5 | 23.5 | 20  | 16.7 | 22.35 | 52207-1660            | 16         |
|                                |      |      | 4.2 | 0.6 | 22.5 | 19  | 15.7 | 21.35 | 52207-1560            | 15         |
|                                |      |      | 4.2 | 0.6 | 21.5 | 18  | 14.7 | 20.35 | 52207-1460            | 14         |
|                                |      |      | 4.2 | 0.6 | 20.5 | 17  | 13.7 | 19.35 | 52207-1360            | 13         |
|                                |      |      | 4.2 | 0.6 | 19.5 | 16  | 12.7 | 18.35 | 52207-1260            | 12         |
| キャリアテープ幅<br>CARRIER TAPE WIDTH | H    | E    | (G) | (F) | (D)  | (C) | (B)  | (A)   | MATERIAL NO.          | 種数<br>CKT. |
|                                |      |      |     |     |      |     |      |       | MODEL NO. 52207-***60 |            |

|   |             |  |  |                    |   |  |
|---|-------------|--|--|--------------------|---|--|
| REVISED<br>EC NO.: J2009-2061<br>DRWN:TKON 2009/05/20<br>CHKD:HMATSUMOTO 2009/05/21<br>APPR:NUKITA 2009/05/21 | DESCRIPTION | GENERAL TOLERANCES<br>(UNLESS SPECIFIED) | DIMENSION STYLE<br>MM ONLY                                 | SCALE<br>---       | DESIGN UNITS<br>METRIC  | THIRD ANGLE<br>PROJECTION  |
|   | REV         | 10 UNDER ±0.2                            | DRAWN BY<br>M.UMEDA  | DATE<br>2005/03/03 | TITLE<br>1.0 FPC CONN ZIF SMT<br>WITH EMBSTP PKG<br>-LEAD FREE- | MOLEX INCORPORATED<br>SD-52207-065   |
|   |             | 10 OVER 30 UNDER ±0.25                   | CHECKED BY<br>K.TOYODA                                     | DATE<br>2005/03/03 | DOCUMENT NO.<br>SD-52207-065                                    |  |
|   |             | 30 OVER ±0.3                             | APPROVED BY<br>N.UKITA                                     | DATE<br>2005/03/03 | SEE TABLE   | THIS DRAWING CONTAINS INFORMATION THAT IS PROPRIETARY TO MOLEX<br>INCORPORATED AND SHOULD NOT BE USED WITHOUT WRITTEN PERMISSION |
|   |             | ANGULAR ±1 °                             | DRAFT WHERE APPLICABLE<br>MUST REMAIN<br>WITHIN DIMENSIONS | SIZE<br>A3         |   |  |



SECT:Z-Z

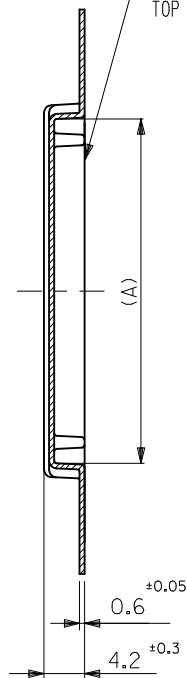
44mm 幅 キャリアテープ  
44mm WIDTH CARRIER TAPE

|                                |      |      |     |     |      |     |      |       |                                       |            |
|--------------------------------|------|------|-----|-----|------|-----|------|-------|---------------------------------------|------------|
| 44                             | 49.4 | 45.4 | --- | --- | 34.5 | 30  | 27.7 | 33.35 | 52207-2760                            | 27         |
|                                |      |      | --- | --- | 33.5 | 30  | 26.7 | 32.35 | 52207-2660                            | 26         |
|                                |      |      | --- | --- | 32.5 | 29  | 25.7 | 31.35 | 52207-2560                            | 25         |
|                                |      |      | --- | --- | 31.5 | 28  | 24.7 | 30.35 | 52207-2460                            | 24         |
|                                |      |      | --- | --- | 29.5 | 26  | 22.7 | 28.35 | 52207-2260                            | 22         |
|                                |      |      | --- | --- | 28.5 | 25  | 21.7 | 27.35 | 52207-2160                            | 21         |
|                                |      |      | --- | --- | 27.5 | 24  | 20.7 | 26.35 | 52207-2060                            | 20         |
|                                |      |      | --- | --- | 26.5 | 23  | 19.7 | 25.35 | 52207-1960                            | 19         |
|                                |      |      | --- | --- | 25.5 | 22  | 18.7 | 24.35 | 52207-1860                            | 18         |
| キャリアテープ幅<br>CARRIER TAPE WIDTH | H    | E    | (G) | (F) | (D)  | (C) | (B)  | (A)   | MATERIAL NO.<br>MODEL NO. 52207-**-60 | 種数<br>CKT. |

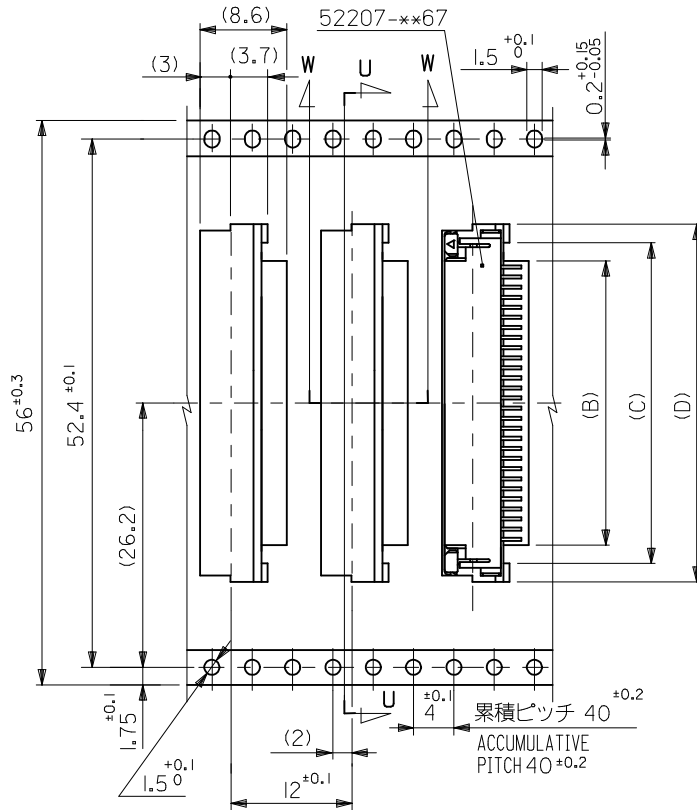
|  |                                       |       |  |                    |   |                        |                              |                     |  |
|--|---------------------------------------|-------|--|--------------------|---|------------------------|------------------------------|---------------------|--|
| REVISED<br>EC NO: J2009-2061<br>DRWN:TKON 2009/05/20<br>CHKD:HMATSUMOTO 2009/05/21<br>APPR:NUKITA 2009/05/21<br>G<br>REV | GENERAL TOLERANCES (UNLESS SPECIFIED) |       | DIMENSION STYLE<br>MM ONLY                           |                    | SCALE<br>---  | DESIGN UNITS<br>METRIC | THIRD ANGLE PROJECTION       |                     |  |
|  | 10 UNDER                              | ±0.2  | DRAWN BY<br>M.UMEDA                                  | DATE<br>2005/03/03 | TITLE<br>1.0 FPC CONN ZIF SMT WITH EMBSTP PKG -LEAD FREE-   |                        |                              |                     |  |
|  | 10 OVER 30 UNDER                      | ±0.25 | CHECKED BY<br>K.TOYODA                               | DATE<br>2005/03/03 | MOLEX INCORPORATED  |                        |                              |                     |  |
|  | 30 OVER                               | ±0.3  | APPROVED BY<br>N.UKITA                               | DATE<br>2005/03/03 | MATERIAL NO.<br>SEE TABLE   |                        | DOCUMENT NO.<br>SD-52207-065 | SHEET NO.<br>4 OF 5 |  |
|  | ANGULAR ±1 °                          |       | DRAFT WHERE APPLICABLE MUST REMAIN WITHIN DIMENSIONS |                    | THIS DRAWING CONTAINS INFORMATION THAT IS PROPRIETARY TO MOLEX INCORPORATED AND SHOULD NOT BE USED WITHOUT WRITTEN PERMISSION |                        |                              |                     |  |



トップテープ  
TOP TAPE



SECT:U-U



56mm 幅 キャリアテープ  
56mm WIDTH CARRIER TAPE

|                                |      |      |      |     |      |       |              |         |
|--------------------------------|------|------|------|-----|------|-------|--------------|---------|
| 56                             | 61.4 | 57.4 | 37.5 | 34  | 30.7 | 36.35 | 52207-3060   | 30      |
|                                |      |      | 36.5 | 33  | 29.7 | 35.35 | 52207-2960   | 29      |
|                                |      |      | 35.5 | 32  | 28.7 | 34.35 | 52207-2860   | 28      |
| キャリアテープ幅<br>CARRIER TAPE WIDTH | F    | E    | (D)  | (C) | (B)  | (A)   | MATERIAL NO. | CIRCUIT |

|  |  |       |   |                    |   |                              |                          |  |
|--|--|-------|---|--------------------|---|------------------------------|--------------------------|--|
| REVISED<br>EC NO: J2009-2061<br>DRWN:TKON 2009/05/20<br>CHKD:HMATSUMOTO 2009/05/21<br>APPR:NUKITA 2009/05/21 | GENERAL TOLERANCES (UNLESS SPECIFIED)                                |       | DIMENSION STYLE<br>MM ONLY  |                    | SCALE<br>---  | DESIGN UNITS<br>METRIC       | MODEL NO.<br>52207-***60 |  |
|  | 10 UNDER   | ±0.2  | DRAWN BY<br>M.UMEDA   | DATE<br>2005/03/03 | TITLE<br>1.0 FPC CONN ZIF SMT WITH EMBSTP PKG -LEAD FREE- |                              |                          |  |
|  | 10 OVER 30 UNDER   | ±0.25 | CHECKED BY<br>K.TOYODA  | DATE<br>2005/03/03 | MOLEX INCORPORATED  |                              |                          |  |
|  | 30 OVER  | ±0.3  | APPROVED BY<br>N.UKITA  | DATE<br>2005/03/03 | MATERIAL NO.<br>SEE TABLE                                 | DOCUMENT NO.<br>SD-52207-065 | SHEET NO.<br>5 OF 5      |  |
| REV  | ANGULAR ±1 °<br>DRAFT WHERE APPLICABLE MUST REMAIN WITHIN DIMENSIONS |       | THIS DRAWING CONTAINS INFORMATION THAT IS PROPRIETARY TO MOLEX INCORPORATED AND SHOULD NOT BE USED WITHOUT WRITTEN PERMISSION |                    |   |                              |                          |  |



Компания «ЭлектроПласт» предлагает заключение долгосрочных отношений при поставках импортных электронных компонентов на взаимовыгодных условиях!

Наши преимущества:

- Оперативные поставки широкого спектра электронных компонентов отечественного и импортного производства напрямую от производителей и с крупнейших мировых складов;
- Поставка более 17-ти миллионов наименований электронных компонентов;
- Поставка сложных, дефицитных, либо снятых с производства позиций;
- Оперативные сроки поставки под заказ (от 5 рабочих дней);
- Экспресс доставка в любую точку России;
- Техническая поддержка проекта, помощь в подборе аналогов, поставка прототипов;
- Система менеджмента качества сертифицирована по Международному стандарту ISO 9001;
- Лицензия ФСБ на осуществление работ с использованием сведений, составляющих государственную тайну;
- Поставка специализированных компонентов (Xilinx, Altera, Analog Devices, Intersil, Interpoint, Microsemi, Aeroflex, Peregrine, Syfer, Eurofarad, Texas Instrument, Miteq, Cobham, E2V, MA-COM, Hittite, Mini-Circuits, General Dynamics и др.);

Помимо этого, одним из направлений компании «ЭлектроПласт» является направление «Источники питания». Мы предлагаем Вам помощь Конструкторского отдела:

- Подбор оптимального решения, техническое обоснование при выборе компонента;
- Подбор аналогов;
- Консультации по применению компонента;
- Поставка образцов и прототипов;
- Техническая поддержка проекта;
- Защита от снятия компонента с производства.



#### Как с нами связаться

**Телефон:** 8 (812) 309 58 32 (многоканальный)

**Факс:** 8 (812) 320-02-42

**Электронная почта:** [org@eplast1.ru](mailto:org@eplast1.ru)

**Адрес:** 198099, г. Санкт-Петербург, ул. Калинина, дом 2, корпус 4, литера А.