



Rail-to-Rail, Very Fast, 2.5 V to 5.5 V, Single-Supply TTL/CMOS Comparators

ADCMP600/ADCMP601/ADCMP602

FEATURES

- Fully specified rail to rail at $V_{CC} = 2.5\text{ V to }5.5\text{ V}$
- Input common-mode voltage from $-0.2\text{ V to }V_{CC} + 0.2\text{ V}$
- Low glitch CMOS-/TTL-compatible output stage
- 3.5 ns propagation delay
- 10 mW at 3.3 V
- Shutdown pin
- Single-pin control for programmable hysteresis and latch
- Power supply rejection > 50 dB
- Improved replacement for MAX999
- $-40^{\circ}\text{C to }+125^{\circ}\text{C}$ operation

APPLICATIONS

- High speed instrumentation
- Clock and data signal restoration
- Logic level shifting or translation
- Pulse spectroscopy
- High speed line receivers
- Threshold detection
- Peak and zero-crossing detectors
- High speed trigger circuitry
- Pulse-width modulators
- Current/voltage-controlled oscillators
- Automatic test equipment (ATE)

GENERAL DESCRIPTION

The ADCMP600, ADCMP601, and ADCMP602 are very fast comparators fabricated on XFCB2, an Analog Devices, Inc. proprietary process. These comparators are exceptionally versatile and easy to use. Features include an input range from $\text{GND} - 0.5\text{ V to }V_{CC} + 0.2\text{ V}$, low noise, TTL-/CMOS-compatible output drivers, and latch inputs with adjustable hysteresis and/or shutdown inputs.

The device offers 5 ns propagation delay with 10 mV overdrive on 3 mA typical supply current.

A flexible power supply scheme allows the devices to operate with a single +2.5 V positive supply and a $-0.5\text{ V to }+2.8\text{ V}$ input signal range up to a +5.5 V positive supply with a $-0.5\text{ V to }+5.8\text{ V}$ input signal range. Split input/output supplies with no sequencing restrictions on the ADCMP602 support a wide

FUNCTIONAL BLOCK DIAGRAM

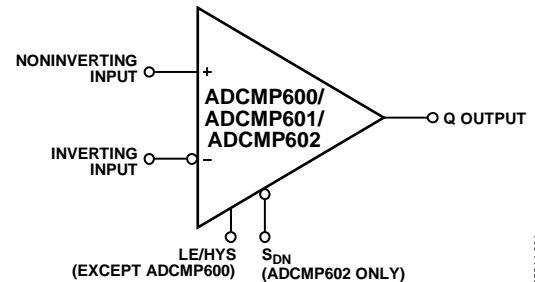


Figure 1.

06914-001

input signal range while still allowing independent output swing control and power savings.

The TTL-/CMOS-compatible output stage is designed to drive up to 5 pF with full timing specs and to degrade in a graceful and linear fashion as additional capacitance is added. The comparator input stage offers robust protection against large input overdrive, and the outputs do not phase reverse when the valid input signal range is exceeded. Latch and programmable hysteresis features are also provided with a unique single-pin control option.

The ADCMP600 is available in 5-lead SC70 and SOT-23 packages, the ADCMP601 is available in a 6-lead SC70 package, and the ADCMP602 is available in an 8-lead MSOP package.

Rev. A

Information furnished by Analog Devices is believed to be accurate and reliable. However, no responsibility is assumed by Analog Devices for its use, nor for any infringements of patents or other rights of third parties that may result from its use. Specifications subject to change without notice. No license is granted by implication or otherwise under any patent or patent rights of Analog Devices. Trademarks and registered trademarks are the property of their respective owners.

One Technology Way, P.O. Box 9106, Norwood, MA 02062-9106, U.S.A.
Tel: 781.329.4700 www.analog.com
Fax: 781.461.3113 ©2006–2011 Analog Devices, Inc. All rights reserved.

TABLE OF CONTENTS

| | | | |
|--|---|---|----|
| Features | 1 | Application Information..... | 10 |
| Applications..... | 1 | Power/Ground Layout and Bypassing..... | 10 |
| Functional Block Diagram | 1 | TTL-/CMOS-Compatible Output Stage | 10 |
| General Description | 1 | Using/Disabling the Latch Feature..... | 10 |
| Revision History | 2 | Optimizing Performance..... | 11 |
| Specifications..... | 3 | Comparator Propagation Delay Dispersion | 11 |
| Electrical Characteristics | 3 | Comparator Hysteresis | 11 |
| Timing Information | 5 | Crossover Bias Point | 12 |
| Absolute Maximum Ratings..... | 6 | Minimum Input Slew Rate Requirement | 12 |
| Thermal Resistance | 6 | Typical Application Circuits | 13 |
| ESD Caution..... | 6 | Outline Dimensions | 14 |
| Pin Configuration and Function Descriptions..... | 7 | Ordering Guide | 16 |
| Typical Performance Characteristics | 8 | | |

REVISION HISTORY

1/11—Rev. 0 to Rev. A

| | |
|---|------------|
| Changed V_{EE} Pin to GND | Throughout |
| Changes to Common-Mode Dispersion Conditions..... | 4 |
| Changes to Figure 15 and Figure 16..... | 9 |
| Changes to Comparator Hysteresis Section | 12 |
| Updated Outline Dimensions | 14 |
| Changes to Ordering Guide | 15 |

10/06—Revision 0: Initial Version

SPECIFICATIONS

ELECTRICAL CHARACTERISTICS

$V_{CCI} = V_{CCO} = 2.5\text{ V}$, $T_A = 25^\circ\text{C}$, unless otherwise noted.

Table 1.

| Parameter | Symbol | Conditions | Min | Typ | Max | Unit |
|---|----------------------|---|----------------|---------|----------------|---------------|
| DC INPUT CHARACTERISTICS | | | | | | |
| Voltage Range | V_P, V_N | $V_{CC} = 2.5\text{ V to } 5.5\text{ V}$ | -0.5 | | $V_{CC} + 0.2$ | V |
| Common-Mode Range | | $V_{CC} = 2.5\text{ V to } 5.5\text{ V}$ | -0.2 | | $V_{CC} + 0.2$ | V |
| Differential Voltage | | $V_{CC} = 2.5\text{ V to } 5.5\text{ V}$ | | | $V_{CC} + 0.8$ | V |
| Offset Voltage | V_{OS} | | -5.0 | ± 2 | +5.0 | mV |
| Bias Current | I_P, I_N | | -5.0 | ± 2 | +5.0 | μA |
| Offset Current | | | -2.0 | | +2.0 | μA |
| Capacitance | C_P, C_N | | | 1 | | pF |
| Resistance, Differential Mode | | $-0.1\text{ V to } V_{CC}$ | 200 | 700 | | k Ω |
| Resistance, Common Mode | | $-0.5\text{ V to } V_{CC} + 0.5\text{ V}$ | 100 | 350 | | k Ω |
| Active Gain | A_V | | | 85 | | dB |
| Common-Mode Rejection Ratio | CMRR | $V_{CCI} = 2.5\text{ V}, V_{CCO} = 2.5\text{ V},$ $V_{CM} = -0.2\text{ V to } +2.7\text{ V}$ | 50 | | | dB |
| | | $V_{CCI} = 2.5\text{ V}, V_{CCO} = 5.5\text{ V}$ | 50 | | | dB |
| Hysteresis (ADCMP600) | | | | 2 | | mV |
| Hysteresis (ADCMP601/ADCMP602) | | $R_{HYS} = \infty$ | | 0.1 | | mV |
| LATCH ENABLE PIN CHARACTERISTICS (ADCMP601/ADCMP602 Only) | | | | | | |
| V_{IH} | | Hysteresis is shut off | 2.0 | | V_{CC} | V |
| V_{IL} | | Latch mode guaranteed | -0.2 | +0.4 | +0.8 | V |
| I_{IH} | | $V_{IH} = V_{CC}$ | -6 | | +6 | μA |
| I_{OL} | | $V_{IL} = 0.4\text{ V}$ | -0.1 | | +0.1 | mA |
| HYSTERESIS MODE AND TIMING (ADCMP601/ADCMP602 Only) | | | | | | |
| Hysteresis Mode Bias Voltage | | Current $-1\ \mu\text{A}$ | 1.145 | 1.25 | 1.35 | V |
| Resistor Value | | Hysteresis = 120 mV | 65 | 80 | 120 | k Ω |
| Hysteresis Current | | Hysteresis = 120 mV | -18 | -12 | -7 | μA |
| Latch Setup Time | t_S | $V_{OD} = 50\text{ mV}$ | | -2 | | ns |
| Latch Hold Time | t_H | $V_{OD} = 50\text{ mV}$ | | 2.6 | | ns |
| Latch-to-Output Delay | t_{PLOH}, t_{PLOL} | $V_{OD} = 50\text{ mV}$ | | 27 | | ns |
| Latch Minimum Pulse Width | t_{PL} | $V_{OD} = 50\text{ mV}$ | | 21 | | ns |
| SHUTDOWN PIN CHARACTERISTICS (ADCMP602 Only) | | | | | | |
| V_{IH} | | Comparator is operating | 2.0 | | V_{CCO} | V |
| V_{IL} | | Shutdown guaranteed | -0.2 | +0.4 | +0.6 | V |
| I_{IH} | | $V_{IH} = V_{CC}$ | -6 | | 6 | μA |
| I_{OL} | | $V_{IL} = 0\text{ V}$ | | -100 | | μA |
| Sleep Time | t_{SD} | $I_{CCO} < 500\ \mu\text{A}$ | | 20 | | ns |
| Wake-Up Time | t_H | $V_{OD} = 100\text{ mV}$, output valid | | 50 | | ns |
| DC OUTPUT CHARACTERISTICS | | | | | | |
| Output Voltage High Level | V_{OH} | $V_{CCO} = 2.5\text{ V to } 5.5\text{ V}$ $I_{OH} = 8\text{ mA}, V_{CCO} = 2.5\text{ V}$ | $V_{CC} - 0.4$ | | | V |
| Output Voltage Low Level | V_{OL} | $I_{OL} = 8\text{ mA}, V_{CCO} = 2.5\text{ V}$ | | | 0.4 | V |
| Output Voltage High Level at -40°C | V_{OH} | $I_{OH} = 6\text{ mA}, V_{CCO} = 2.5\text{ V}$ | $V_{CC} - 0.4$ | | | V |
| Output Voltage Low Level at -40°C | V_{OL} | $I_{OL} = 6\text{ mA}, V_{CCO} = 2.5\text{ V}$ | | | 0.4 | V |

ADCMP600/ADCMP601/ADCMP602

| Parameter | Symbol | Conditions | Min | Typ | Max | Unit |
|---|---------------------|---|------|----------|------|------------------|
| AC PERFORMANCE¹ | | | | | | |
| Rise Time /Fall Time | t_r t_f | 10% to 90%, $V_{CCO} = 2.5$ V | | 2.2 | | ns |
| | | 10% to 90%, $V_{CCO} = 5.5$ V | | 4 | | ns |
| Propagation Delay | t_{PD} | $V_{OD} = 50$ mV, $V_{CCO} = 2.5$ V | | 3.5 | | ns |
| | | $V_{OD} = 50$ mV, $V_{CCO} = 5.5$ V | | 4.3 | | ns |
| | | $V_{OD} = 10$ mV, $V_{CCO} = 2.5$ V | | 5 | | ns |
| Propagation Delay Skew—Rising to Falling Transition | | $V_{CCO} = 2.5$ V to 5.5 V $V_{OD} = 50$ mV | | 500 | | ps |
| Overdrive Dispersion | | 10 mV < $V_{OD} < 125$ mV | | 1.2 | | ns |
| Common-Mode Dispersion | | -0.2 V < $V_{CM} < V_{CCI} + 0.2$ V $V_{OD} = 50$ mV | | 200 | | ps |
| Minimum Pulse Width | PW_{MIN} | $V_{CCI} = V_{CCO} = 2.5$ V $PW_{OUT} = 90\%$ of PW_{IN} | | 3 | | ns |
| | | $V_{CCI} = V_{CCO} = 5.5$ V $PW_{OUT} = 90\%$ of PW_{IN} | | 4.5 | | ns |
| POWER SUPPLY | | | | | | |
| Input Supply Voltage Range | V_{CCI} | | 2.5 | | 5.5 | V |
| Output Supply Voltage Range | V_{CCO} | | 2.5 | | 5.5 | V |
| Positive Supply Differential (ADCMP602 Only) | $V_{CCI} - V_{CCO}$ | Operating | -3.0 | | +3.0 | V |
| | | Nonoperating | -5.5 | | +5.5 | V |
| Positive Supply Current (ADCMP600/ADCMP601) | I_{VCC} | $V_{CC} = 2.5$ V $V_{CC} = 5.5$ V | | 3 3.5 | | 3.5 4.0 mA |
| Input Section Supply Current (ADCMP602 Only) | I_{VCCI} | $V_{CCI} = 2.5$ V | | 0.9 | | 1.4 mA |
| | | $V_{CCI} = 5.5$ V | | 1.2 | | 2.0 mA |
| Output Section Supply Current (ADCMP602 Only) | I_{VCCO} | $V_{CCO} = 2.5$ V | | 1.45 | | 3.0 mA |
| | | $V_{CCO} = 5.5$ V | | 2.1 | | 3.5 mA |
| Power Dissipation | P_D | $V_{CC} = 2.5$ V | | 7 | | 9 mW |
| | | $V_{CC} = 5.5$ V | | 20 | | 23 mW |
| Power Supply Rejection Ratio | PSRR | $V_{CCI} = 2.5$ V to 5 V | -50 | | | dB |
| Shutdown Mode I_{CCI} (ADCMP602 Only) | | $V_{CC} = 2.5$ V | | 240 | | 400 μ A |
| | | $V_{CC} = 2.5$ V | | | | 30 μ A |

¹ $V_{IN} = 100$ mV square input at 50 MHz, $V_{CM} = 0$ V, $CL = 5$ pF, $V_{CCI} = V_{CCO} = 2.5$ V, unless otherwise noted.

TIMING INFORMATION

Figure 2 illustrates the ADCMP600/ADCMP601/ADCMP602 latch timing relationships. Table 2 provides definitions of the terms shown in Figure 2.

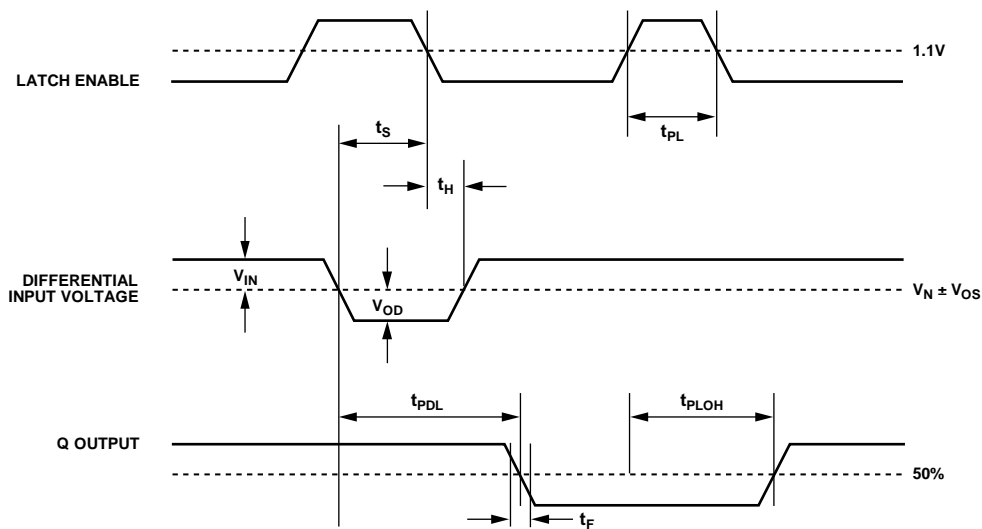


Figure 2. System Timing Diagram

05B14-025

Table 2. Timing Descriptions

| Symbol | Timing | Description |
|------------|-----------------------------------|---|
| t_{PDH} | Input to output high delay | Propagation delay measured from the time the input signal crosses the reference (\pm the input offset voltage) to the 50% point of an output low-to-high transition. |
| t_{PDL} | Input to output low delay | Propagation delay measured from the time the input signal crosses the reference (\pm the input offset voltage) to the 50% point of an output high-to-low transition. |
| t_{PLOH} | Latch enable to output high delay | Propagation delay measured from the 50% point of the latch enable signal low-to-high transition to the 50% point of an output low-to-high transition. |
| t_{PLOL} | Latch enable to output low delay | Propagation delay measured from the 50% point of the latch enable signal low-to-high transition to the 50% point of an output high-to-low transition. |
| t_H | Minimum hold time | Minimum time after the negative transition of the latch enable signal that the input signal must remain unchanged to be acquired and held at the outputs. |
| t_{PL} | Minimum latch enable pulse width | Minimum time that the latch enable signal must be high to acquire an input signal change. |
| t_S | Minimum setup time | Minimum time before the negative transition of the latch enable signal occurs that an input signal change must be present to be acquired and held at the outputs. |
| t_R | Output rise time | Amount of time required to transition from a low to a high output as measured at the 20% and 80% points. |
| t_F | Output fall time | Amount of time required to transition from a high to a low output as measured at the 20% and 80% points. |
| V_{OD} | Voltage overdrive | Difference between the input voltages V_A and V_B . |

ADCMP600/ADCMP601/ADCMP602

ABSOLUTE MAXIMUM RATINGS

Table 3.

| Parameter | Rating |
|--|-----------------------------|
| Supply Voltages | |
| Input Supply Voltage (V_{CCI} to GND) | -0.5 V to +6.0 V |
| Output Supply Voltage (V_{CCO} to GND) | -0.5 V to +6.0 V |
| Positive Supply Differential ($V_{CCI} - V_{CCO}$) | -6.0 V to +6.0 V |
| Input Voltages | |
| Input Voltage | -0.5 V to $V_{CCI} + 0.5$ V |
| Differential Input Voltage | $\pm(V_{CCI} + 0.5$ V) |
| Maximum Input/Output Current | ± 50 mA |
| Shutdown Control Pin | |
| Applied Voltage (HYS to GND) | -0.5 V to $V_{CCO} + 0.5$ V |
| Maximum Input/Output Current | ± 50 mA |
| Latch/Hysteresis Control Pin | |
| Applied Voltage (HYS to GND) | -0.5 V to $V_{CCO} + 0.5$ V |
| Maximum Input/Output Current | ± 50 mA |
| Output Current | |
| Output Current | ± 50 mA |
| Temperature | |
| Operating Temperature, Ambient | -40°C to +125°C |
| Operating Temperature, Junction | 150°C |
| Storage Temperature Range | -65°C to +150°C |

Stresses above those listed under Absolute Maximum Ratings may cause permanent damage to the device. This is a stress rating only; functional operation of the device at these or any other conditions above those indicated in the operational section of this specification is not implied. Exposure to absolute maximum rating conditions for extended periods may affect device reliability.

THERMAL RESISTANCE

θ_{JA} is specified for the worst-case conditions, that is, a device soldered in a circuit board for surface-mount packages.

Table 4. Thermal Resistance

| Package Type | θ_{JA} ¹ | Unit |
|------------------------|----------------------------|------|
| ADCMP600 SC70 5-Lead | 426 | °C/W |
| ADCMP600 SOT-23 5-Lead | 302 | °C/W |
| ADCMP601 SC70 6-Lead | 426 | °C/W |
| ADCMP602 MSOP 5-Lead | 130 | °C/W |

¹ Measurement in still air.

ESD CAUTION



ESD (electrostatic discharge) sensitive device.

Charged devices and circuit boards can discharge without detection. Although this product features patented or proprietary protection circuitry, damage may occur on devices subjected to high energy ESD. Therefore, proper ESD precautions should be taken to avoid performance degradation or loss of functionality.

PIN CONFIGURATION AND FUNCTION DESCRIPTIONS

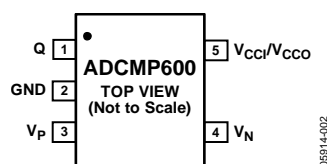


Figure 3. ADCMP600 Pin Configuration

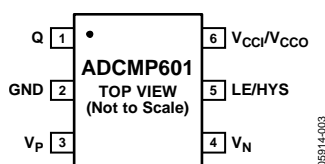


Figure 4. ADCMP601 Pin Configuration

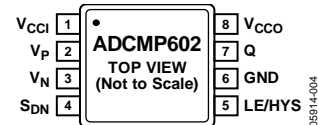


Figure 5. ADCMP602 Pin Configuration

Table 5. ADCMP600 (SOT-23-5 and SC70-5) Pin Function Descriptions

| Pin No. | Mnemonic | Description |
|---------|------------------|---|
| 1 | Q | Noninverting Output. Q is at logic high if the analog voltage at the noninverting input, V_p , is greater than the analog voltage at the inverting input, V_n . |
| 2 | GND | Negative Supply Voltage. |
| 3 | V_p | Noninverting Analog Input. |
| 4 | V_n | Inverting Analog Input. |
| 5 | V_{CC}/V_{CCO} | Input Section Supply/Output Section Supply. Shared pin. |

Table 6. ADCMP601 (SC70-6) Pin Function Descriptions

| Pin No. | Mnemonic | Description |
|---------|------------------|---|
| 1 | Q | Noninverting Output. Q is at logic high if the analog voltage at the noninverting input, V_p , is greater than the analog voltage at the inverting input, V_n , if the comparator is in compare mode. |
| 2 | GND | Negative Supply Voltage. |
| 3 | V_p | Noninverting Analog Input. |
| 4 | V_n | Inverting Analog Input. |
| 5 | LE/HYS | Latch/Hysteresis Control. Bias with resistor or current for hysteresis adjustment; drive low to latch. |
| 6 | V_{CC}/V_{CCO} | Input Section Supply/Output Section Supply. Shared pin. |

Table 7. ADCMP602 (MSOP-8) Pin Function Descriptions

| Pin No. | Mnemonic | Description |
|---------|-----------|---|
| 1 | V_{CC} | Input Section Supply. |
| 2 | V_p | Noninverting Analog Input. |
| 3 | V_n | Inverting Analog Input. |
| 4 | S_{DN} | Shutdown. Drive this pin low to shut down the device. |
| 5 | LE/HYS | Latch/Hysteresis Control. Bias with resistor or current for hysteresis adjustment; drive low to latch. |
| 6 | GND | Negative Supply Voltage. |
| 7 | Q | Noninverting Output. Q is at logic high if the analog voltage at the noninverting input, V_p , is greater than the analog voltage at the inverting input, V_n , if the comparator is in compare mode. |
| 8 | V_{CCO} | Output Section Supply. |

TYPICAL PERFORMANCE CHARACTERISTICS

$V_{CCI} = V_{CCO} = 2.5\text{ V}$, $T_A = 25^\circ\text{C}$, unless otherwise noted.

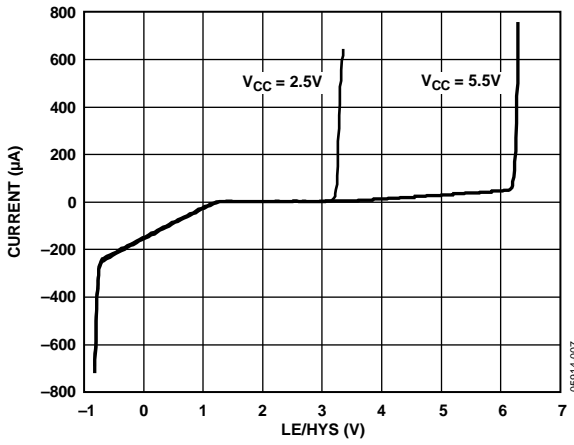


Figure 6. LE/HYS Pin I/V Characteristics



Figure 9. V_{OH}/V_{OL} vs. Current Load

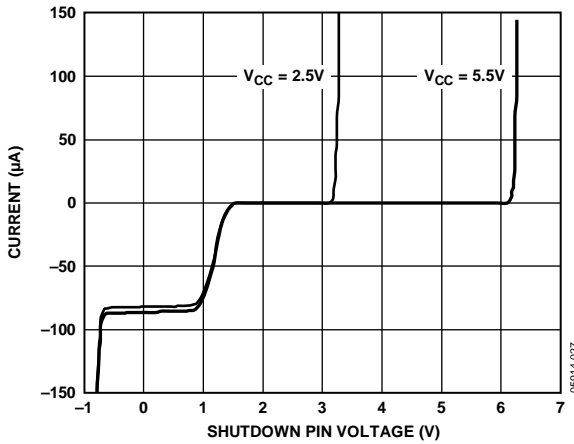


Figure 7. S_{DN} Pin I/V Characteristics



Figure 10. Hysteresis vs. R_{HYS} Control Resistor

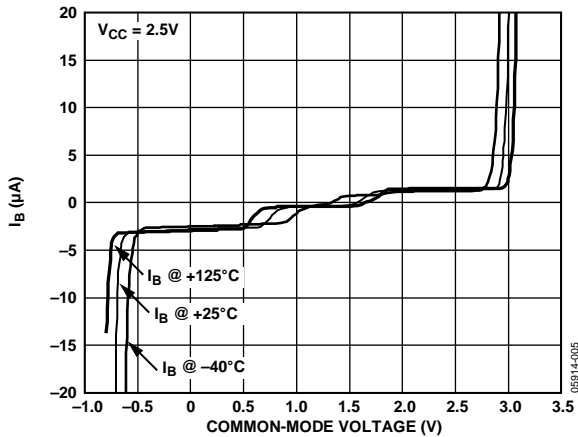


Figure 8. Input Bias Current vs. Input Common Mode

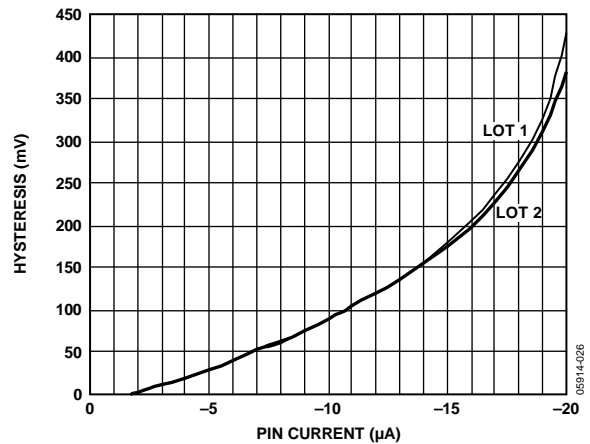


Figure 11. Hysteresis vs. Pin Current

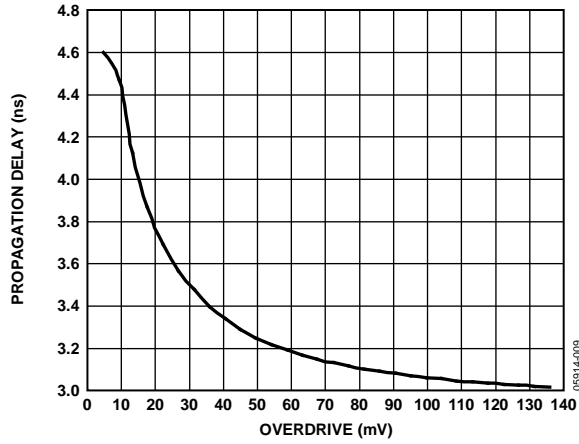


Figure 12. Propagation Delay vs. Input Overdrive at $V_{CC} = 2.5 V$

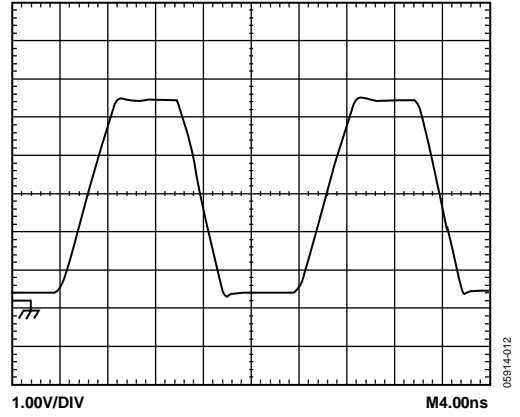


Figure 15. 50 MHz Output Waveform $V_{CC} = 5.5 V$

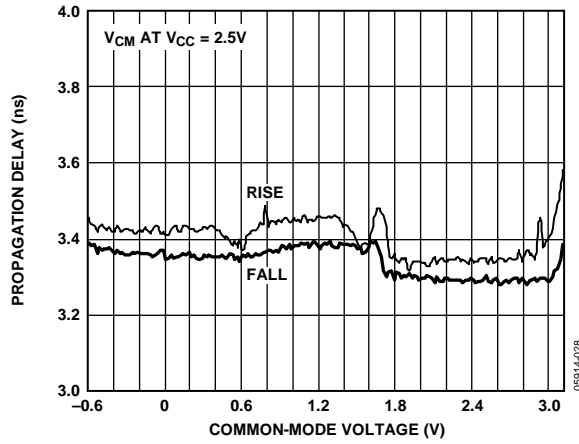


Figure 13. Propagation Delay vs. Input Common-Mode Voltage at $V_{CC} = 2.5 V$

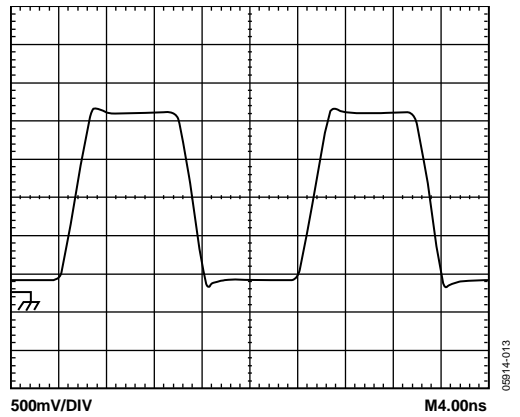


Figure 16. 50 MHz Output Waveforms @ 2.5 V

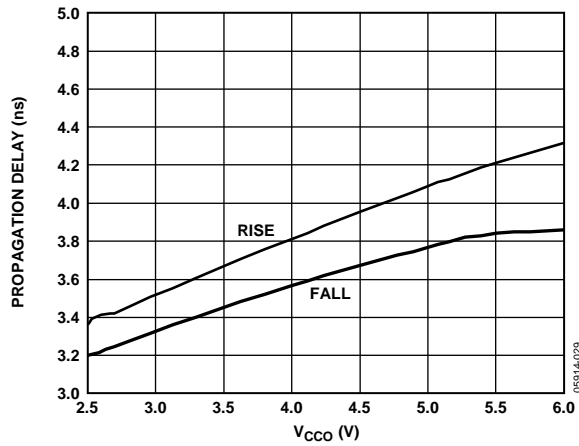


Figure 14. Propagation Delay vs. V_{CCO}

APPLICATION INFORMATION

POWER/GROUND LAYOUT AND BYPASSING

The ADCMP600/ADCMP601/ADCMP602 comparators are very high speed devices. Despite the low noise output stage, it is essential to use proper high speed design techniques to achieve the specified performance. Because comparators are uncompensated amplifiers, feedback in any phase relationship is likely to cause oscillations or undesired hysteresis. Of critical importance is the use of low impedance supply planes, particularly the output supply plane (V_{CCO}) and the ground plane (GND). Individual supply planes are recommended as part of a multilayer board. Providing the lowest inductance return path for switching currents ensures the best possible performance in the target application.

It is also important to adequately bypass the input and output supplies. Multiple high quality 0.01 μF bypass capacitors should be placed as close as possible to each of the V_{CCI} and V_{CCO} supply pins and should be connected to the GND plane with redundant vias. At least one of these should be placed to provide a physically short return path for output currents flowing back from ground to the V_{CC} pin. High frequency bypass capacitors should be carefully selected for minimum inductance and ESR. Parasitic layout inductance should also be strictly controlled to maximize the effectiveness of the bypass at high frequencies.

If the package allows and the input and output supplies have been connected separately such that $V_{CCI} \neq V_{CCO}$, care should be taken to bypass each of these supplies separately to the GND plane. A bypass capacitor should never be connected between them. It is recommended that the GND plane separate the V_{CCI} and V_{CCO} planes when the circuit board layout is designed to minimize coupling between the two supplies and to take advantage of the additional bypass capacitance from each respective supply to the ground plane. This enhances the performance when split input/output supplies are used. If the input and output supplies are connected together for single-supply operation such that $V_{CCI} = V_{CCO}$, coupling between the two supplies is unavoidable; however, careful board placement can help keep output return currents away from the inputs.

TTL-/CMOS-COMPATIBLE OUTPUT STAGE

Specified propagation delay performance can be achieved only by keeping the capacitive load at or below the specified minimums. The outputs of the devices are designed to directly drive one Schottky TTL or three low power Schottky TTL loads or the equivalent. For large fan outputs, buses, or transmission lines, use an appropriate buffer to maintain the excellent speed and stability of the comparator.

With the rated 5 pF load capacitance applied, more than half of the total device propagation delay is output stage slew time, even at 2.5 V V_{CC} . Because of this, the total prop delay decreases as V_{CCO} decreases, and instability in the power supply may appear as excess delay dispersion.

This delay is measured to the 50% point for the supply in use; therefore, the fastest times are observed with the V_{CC} supply at 2.5 V, and larger values are observed when driving loads that switch at other levels.

When duty cycle accuracy is critical, the logic being driven should switch at 50% of V_{CC} and load capacitance should be minimized. When in doubt, it is best to power V_{CCO} or the entire device from the logic supply and rely on the input PSRR and CMRR to reject noise.

Overdrive and input slew rate dispersions are not significantly affected by output loading and V_{CC} variations.

The TTL-/CMOS-compatible output stage is shown in the simplified schematic diagram (Figure 17). Because of its inherent symmetry and generally good behavior, this output stage is readily adaptable for driving various filters and other unusual loads.



Figure 17. Simplified Schematic Diagram of TTL-/CMOS-Compatible Output Stage

USING/DISABLING THE LATCH FEATURE

The latch input is designed for maximum versatility. It can safely be left floating for fixed hysteresis or be tied to V_{CC} to remove the hysteresis, or it can be driven low by any standard TTL/CMOS device as a high speed latch.

In addition, the pin can be operated as a hysteresis control pin with a bias voltage of 1.25 V nominal and an input resistance of approximately 7000 Ω . This allows the comparator hysteresis to be easily and accurately controlled by either a resistor or an inexpensive CMOS DAC.

Hysteresis control and latch mode can be used together if an open drain, an open collector, or a three-state driver is connected parallel to the hysteresis control resistor or current source.

Due to the programmable hysteresis feature, the logic threshold of the latch pin is approximately 1.1 V regardless of V_{CC} .

OPTIMIZING PERFORMANCE

As with any high speed comparator, proper design and layout techniques are essential for obtaining the specified performance. Stray capacitance, inductance, inductive power and ground impedances, or other layout issues can severely limit performance and often cause oscillation. Large discontinuities along input and output transmission lines can also limit the specified pulse-width dispersion performance. The source impedance should be minimized as much as is practicable. High source impedance, in combination with the parasitic input capacitance of the comparator, causes an undesirable degradation in bandwidth at the input, thus degrading the overall response. Thermal noise from large resistances can easily cause extra jitter with slowly slewing input signals; higher impedances encourage undesired coupling.

COMPARATOR PROPAGATION DELAY DISPERSION

The ADCMP600/ADCMP601/ADCMP602 comparators are designed to reduce propagation delay dispersion over a wide input overdrive range. Propagation delay dispersion is the variation in propagation delay that results from a change in the degree of overdrive or slew rate (that is, how far or how fast the input signal exceeds the switching threshold).

Propagation delay dispersion is a specification that becomes important in high speed, time-critical applications, such as data communication, automatic test and measurement, and instrumentation. It is also important in event-driven applications, such as pulse spectroscopy, nuclear instrumentation, and medical imaging. Dispersion is defined as the variation in propagation delay as the input overdrive conditions are changed (Figure 18 and Figure 19).

The device dispersion is typically < 2 ns as the overdrive varies from 10 mV to 125 mV. This specification applies to both positive and negative signals because the device has very closely matched delays both positive-going and negative-going inputs.

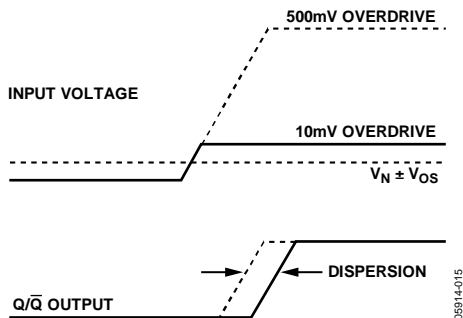


Figure 18. Propagation Delay—Overdrive Dispersion



Figure 19. Propagation Delay—Slew Rate Dispersion

COMPARATOR HYSTERESIS

The addition of hysteresis to a comparator is often desirable in a noisy environment, or when the differential input amplitudes are relatively small or slow moving. Figure 20 shows the transfer function for a comparator with hysteresis. As the input voltage approaches the threshold (0.0 V, in this example) from below the threshold region in a positive direction, the comparator switches from low to high when the input crosses $+V_H/2$, and the new switching threshold becomes $-V_H/2$. The comparator remains in the high state until the new threshold, $-V_H/2$, is crossed from below the threshold region in a negative direction. In this manner, noise or feedback output signals centered on 0.0 V input cannot cause the comparator to switch states unless it exceeds the region bounded by $\pm V_H/2$.



Figure 20. Comparator Hysteresis Transfer Function

The customary technique for introducing hysteresis into a comparator uses positive feedback from the output back to the input. One limitation of this approach is that the amount of hysteresis varies with the output logic levels, resulting in hysteresis that is not symmetric about the threshold. The external feedback network can also introduce significant parasitics that reduce high speed performance and induce oscillation in some cases.

These ADCMP600 features a fixed hysteresis of approximately 2 mV. The ADCMP601 and ADCMP602 comparators offer a programmable Hysteresis feature that can significantly improve accuracy and stability. Connecting an external pull-down resistor or a current source from the LE/HYS pin to GND, varies the amount of hysteresis in a predictable, stable manner.

ADCMP600/ADCMP601/ADCMP602

Leaving the LE/HYS pin disconnected results in a fixed hysteresis of 2 mV; driving this pin high removes hysteresis. The maximum hysteresis that can be applied using this pin is approximately 160 mV. Figure 21 illustrates the amount of hysteresis applied as a function of the external resistor value, and Figure 11 illustrates hysteresis as a function of the current.

The hysteresis control pin appears as a 1.25 V bias voltage seen through a series resistance of 7 k Ω . The bias voltage changes $\pm 20\%$ throughout the hysteresis control range. The advantages of applying hysteresis in this manner are improved accuracy, improved stability, reduced component count, and maximum versatility. An external bypass capacitor is not recommended on the HYS pin because it impairs the latch function and often degrades the jitter performance of the device. As described in the Using/Disabling the Latch Feature section, hysteresis control need not compromise the latch function.

CROSSOVER BIAS POINT

In both op amps and comparators, rail-to-rail inputs of this type have a dual front-end design. Certain devices are active near the V_{CC} rail and others are active near the GND rail. At some predetermined point in the common-mode range, a crossover occurs. At this point, normally $V_{CC}/2$, the direction of the bias current reverses and the measured offset voltages and currents change.

The ADCMP600/ADCMP601/ADCMP602 comparators slightly elaborate on this scheme. Crossover points can be found at approximately 0.8 V and 1.6 V.

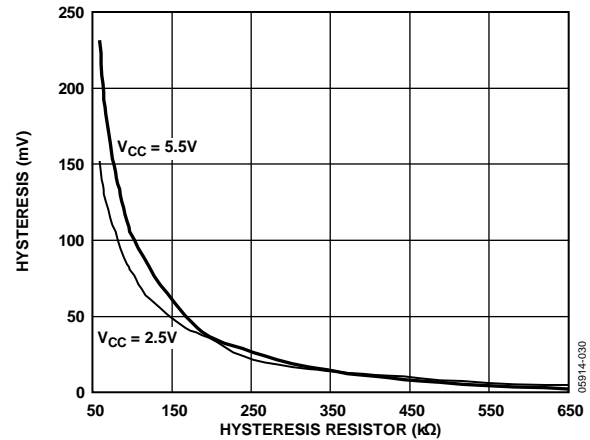


Figure 21. Hysteresis vs. R_{HYS} Control Resistor

MINIMUM INPUT SLEW RATE REQUIREMENT

With the rated load capacitance and normal good PC Board design practice, as discussed in the Optimizing Performance section, these comparators should be stable at any input slew rate with no hysteresis. Broadband noise from the input stage is observed in place of the violent chattering seen with most other high speed comparators. With additional capacitive loading or poor bypassing, oscillation is observed. This oscillation is due to the high gain bandwidth of the comparator in combination with feedback parasitics in the package and PC board. In many applications, chattering is not harmful.

TYPICAL APPLICATION CIRCUITS



Figure 22. Self-Biased, 50% Slicer

05914-019

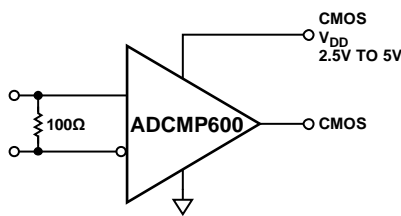


Figure 23. LVDS-to-CMOS Receiver

05914-020



Figure 25. Oscillator and Pulse-Width Modulator

05914-022

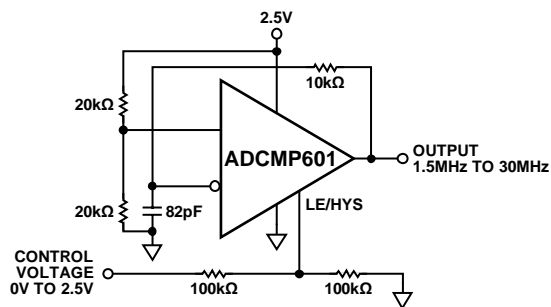


Figure 24. Voltage-Controlled Oscillator

05914-021

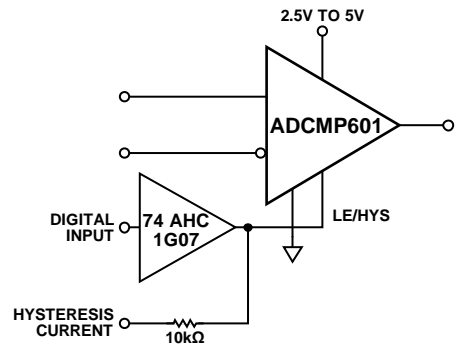


Figure 26. Hysteresis Adjustment with Latch

05914-023

ADCMP600/ADCMP601/ADCMP602

OUTLINE DIMENSIONS

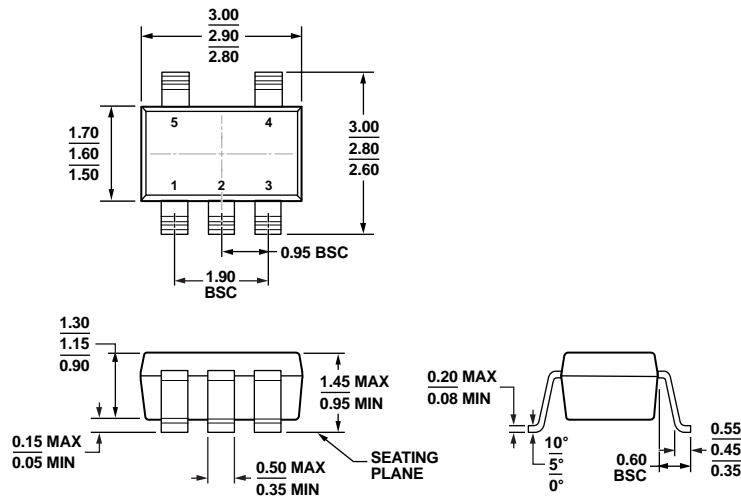


COMPLIANT TO JEDEC STANDARDS MO-203-AA

Figure 27. 5-Lead Thin Shrink Small Outline Transistor Package (SC70) (KS-5)

Dimensions shown in millimeters

072809-A



COMPLIANT TO JEDEC STANDARDS MO-178-AA

Figure 28. 5-Lead Small Outline Transistor Package (SOT-23) (RJ-5)

Dimensions shown in millimeters

11-01-2010-A



COMPLIANT TO JEDEC STANDARDS MO-203-AB

Figure 29. 6-Lead Thin Shrink Small Outline Transistor Package (SC70)
(KS-6)

Dimensions shown in millimeters

072809-A



COMPLIANT TO JEDEC STANDARDS MO-187-AA

Figure 30. 8-Lead Mini Small Outline Package (MSOP)
(RM-8)

Dimensions shown in millimeters

10-07-2009-B

ADCMP600/ADCMP601/ADCMP602

ORDERING GUIDE

| Model ¹ | Temperature Range | Package Description | Package Option | Branding |
|--------------------|-------------------|---------------------|----------------|----------|
| ADCMP600BRJZ-R2 | -40°C to +125°C | 5-Lead SOT23 | RJ-5 | G0C |
| ADCMP600BRJZ-RL | -40°C to +125°C | 5-Lead SOT23 | RJ-5 | G0C |
| ADCMP600BRJZ-REEL7 | -40°C to +125°C | 5-Lead SOT23 | RJ-5 | G0C |
| ADCMP600BKSZ-R2 | -40°C to +125°C | 5-Lead SC70 | KS-5 | G0C |
| ADCMP600BKSZ-RL | -40°C to +125°C | 5-Lead SC70 | KS-5 | G0C |
| ADCMP600BKSZ-REEL7 | -40°C to +125°C | 5-Lead SC70 | KS-5 | G0C |
| ADCMP601BKSZ-R2 | -40°C to +125°C | 6-Lead SC70 | KS-6 | G0N |
| ADCMP601BKSZ-RL | -40°C to +125°C | 6-Lead SC70 | KS-6 | G0N |
| ADCMP601BKSZ-REEL7 | -40°C to +125°C | 6-Lead SC70 | KS-6 | G0N |
| ADCMP602BRMZ | -40°C to +125°C | 8-Lead MSOP | RM-8 | GF |
| ADCMP602BRMZ-REEL | -40°C to +125°C | 8-Lead MSOP | RM-8 | GF |
| ADCMP602BRMZ-REEL7 | -40°C to +125°C | 8-Lead MSOP | RM-8 | GF |
| EVAL-ADCMP600BRJZ | | Evaluation Board | | |
| EVAL-ADCMP600BKSZ | | Evaluation Board | | |
| EVAL-ADCMP601BKSZ | | Evaluation Board | | |
| EVAL-ADCMP602BRMZ | | Evaluation Board | | |

¹ Z = RoHS Compliant Part.



Компания «ЭлектроПласт» предлагает заключение долгосрочных отношений при поставках импортных электронных компонентов на взаимовыгодных условиях!

Наши преимущества:

- Оперативные поставки широкого спектра электронных компонентов отечественного и импортного производства напрямую от производителей и с крупнейших мировых складов;
- Поставка более 17-ти миллионов наименований электронных компонентов;
- Поставка сложных, дефицитных, либо снятых с производства позиций;
- Оперативные сроки поставки под заказ (от 5 рабочих дней);
- Экспресс доставка в любую точку России;
- Техническая поддержка проекта, помощь в подборе аналогов, поставка прототипов;
- Система менеджмента качества сертифицирована по Международному стандарту ISO 9001;
- Лицензия ФСБ на осуществление работ с использованием сведений, составляющих государственную тайну;
- Поставка специализированных компонентов (Xilinx, Altera, Analog Devices, Intersil, Interpoint, Microsemi, Aeroflex, Peregrine, Syfer, Eurofarad, Texas Instrument, Miteq, Cobham, E2V, MA-COM, Hittite, Mini-Circuits, General Dynamics и др.);

Помимо этого, одним из направлений компании «ЭлектроПласт» является направление «Источники питания». Мы предлагаем Вам помощь Конструкторского отдела:

- Подбор оптимального решения, техническое обоснование при выборе компонента;
- Подбор аналогов;
- Консультации по применению компонента;
- Поставка образцов и прототипов;
- Техническая поддержка проекта;
- Защита от снятия компонента с производства.



Как с нами связаться

Телефон: 8 (812) 309 58 32 (многоканальный)

Факс: 8 (812) 320-02-42

Электронная почта: org@eplast1.ru

Адрес: 198099, г. Санкт-Петербург, ул. Калинина, дом 2, корпус 4, литера А.