

### FEATURES

- High Speed Serial Interface (JESD204)
- Sample Rate: 80MSPS/65MSPS
- 77.7dBFS Noise Floor
- 100dB SFDR
- SFDR >90dB at 140MHz (1.5V<sub>P-P</sub> Input Range)
- PGA Front End (2.25V<sub>P-P</sub> or 1.5V<sub>P-P</sub> Input Range)
- 700MHz Full Power Bandwidth S/H
- Optional Internal Dither
- Single 3.3V Supply
- Power Dissipation: 1100mW/990mW
- Clock Duty Cycle Stabilizer
- Pin Compatible Family
  - 105MSPS: LTC2274
  - 80MSPS: LTC2273
  - 65MSPS: LTC2272
- 40-Pin 6mm × 6mm QFN Package

### APPLICATIONS

- Telecommunications
- Receivers
- Cellular Base Stations
- Spectrum Analysis
- Imaging Systems
- ATE

### DESCRIPTION

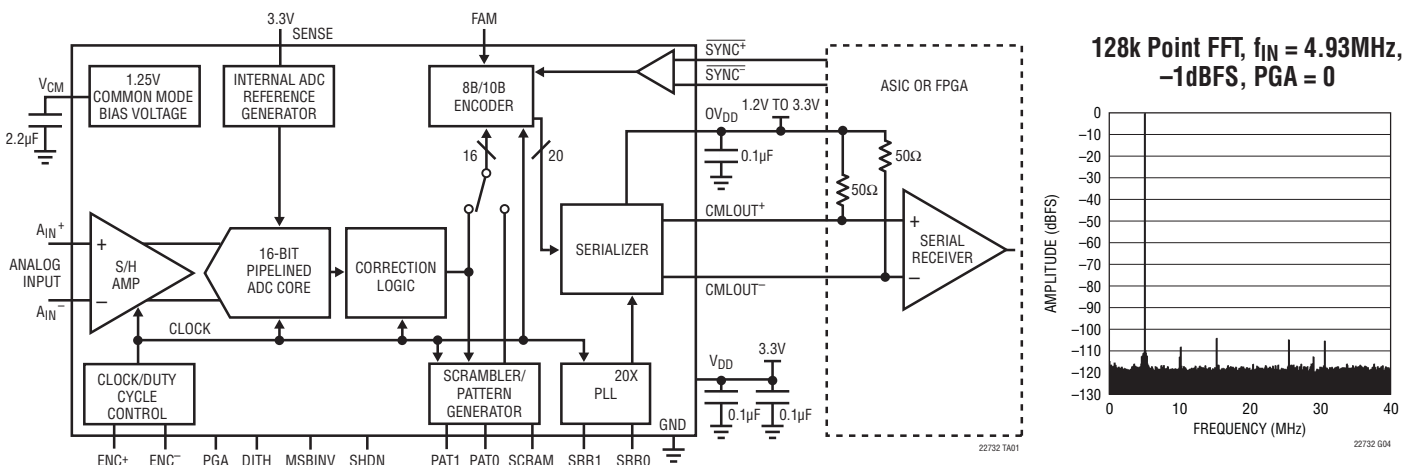
The LTC<sup>®</sup>2273/LTC2272 are 80MSPS/65MSPS, 16-bit A/D converters with a high speed serial interface. They are designed for digitizing high frequency, wide dynamic range signals with an input bandwidth of 700MHz. The input range of the ADC can be optimized using the PGA front end. The output data is serialized according to the JEDEC serial interface for data converters specification (JESD204).

The LTC2273/LTC2272 are perfect for demanding applications where it is desirable to isolate the sensitive analog circuits from the noisy digital logic. The AC performance includes a 77.7dB Noise Floor and 100dB spurious free dynamic range (SFDR). Ultra low internal jitter of 80fs RMS allows undersampling of high input frequencies with excellent noise performance. Maximum DC specs include ±4.5LSB INL and ±1LSB DNL (no missing codes) over temperature.

The encode clock inputs, ENC<sup>+</sup> and ENC<sup>-</sup>, may be driven differentially or single-ended with a sine wave, PECL, LVDS, TTL or CMOS inputs. A clock duty cycle stabilizer allows high performance at full speed with a wide range of clock duty cycles.

LT, LT, LTC, LTM, Linear Technology and the Linear logo are registered trademarks of Linear Technology Corporation. All other trademarks are the property of their respective owners.

### TYPICAL APPLICATION



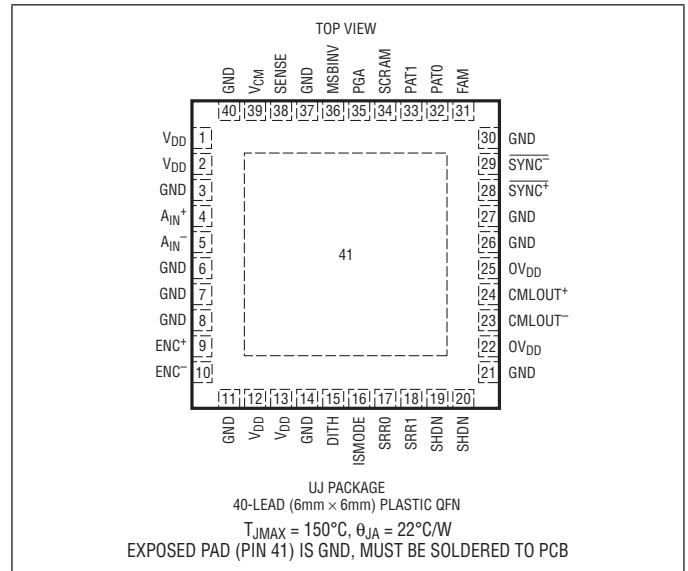
# LTC2273/LTC2272

## ABSOLUTE MAXIMUM RATINGS

$OV_{DD} = V_{DD}$  (Notes 1, 2)

Supply Voltage ( $V_{DD}$ )	-0.3V to 4V
Analog Input Voltage (Note 3)	-0.3V to ( $V_{DD} + 0.3V$ )
Digital Input Voltage	-0.3V to ( $V_{DD} + 0.3V$ )
Digital Output Voltage	-0.3V to ( $OV_{DD} + 0.3V$ )
Power Dissipation	2000mW
Operating Temperature Range	
LTC2273C/LTC2272C	0°C to 70°C
LTC2273I/LTC2272I	-40°C to 85°C
Storage Temperature Range	-65°C to 150°C
Digital Output Supply Voltage ( $OV_{DD}$ )	-0.3V to 4V

## PIN CONFIGURATION



## ORDER INFORMATION

LEAD FREE FINISH	TAPE AND REEL	PART MARKING*	PACKAGE DESCRIPTION	TEMPERATURE RANGE
LTC2273CUJ#PBF	LTC2273CUJ#TRPBF	LTC2273UJ	40-Lead (6mm × 6mm) Plastic QFN	0°C to 70°C
LTC2273IUJ#PBF	LTC2273IUJ#TRPBF	LTC2273UJ	40-Lead (6mm × 6mm) Plastic QFN	-40°C to 85°C
LTC2272CUJ#PBF	LTC2272CUJ#TRPBF	LTC2272UJ	40-Lead (6mm × 6mm) Plastic QFN	0°C to 70°C
LTC2272IUJ#PBF	LTC2272IUJ#TRPBF	LTC2272UJ	40-Lead (6mm × 6mm) Plastic QFN	-40°C to 85°C
LEAD BASED FINISH	TAPE AND REEL	PART MARKING*	PACKAGE DESCRIPTION	TEMPERATURE RANGE
LTC2273CUJ	LTC2273CUJ#TR	LTC2273UJ	40-Lead (6mm × 6mm) Plastic QFN	0°C to 70°C
LTC2273IUJ	LTC2273IUJ#TR	LTC2273UJ	40-Lead (6mm × 6mm) Plastic QFN	-40°C to 85°C
LTC2272CUJ	LTC2272CUJ#TR	LTC2272UJ	40-Lead (6mm × 6mm) Plastic QFN	0°C to 70°C
LTC2272IUJ	LTC2272IUJ#TR	LTC2272UJ	40-Lead (6mm × 6mm) Plastic QFN	-40°C to 85°C

Consult LTC Marketing for parts specified with wider operating temperature ranges. \*The temperature grade is identified by a label on the shipping container.

For more information on lead free part marking, go to: <http://www.linear.com/leadfree/>

For more information on tape and reel specifications, go to: <http://www.linear.com/tapeandree/>

## CONVERTER CHARACTERISTICS

The ● denotes the specifications which apply over the full operating temperature range, otherwise specifications are at  $T_A = 25^\circ\text{C}$ . (Note 4)

SYMBOL	CONDITIONS	MIN	TYP	MAX	UNITS
Integral Linearity Error	Differential Analog Input (Note 5) $T_A = 25^\circ\text{C}$		±1.2	±4	LSB
Integral Linearity Error	Differential Analog Input (Note 5)	●	±1.5	±4.5	LSB
Differential Linearity Error	Differential Analog Input	●	±0.3	±1	LSB
Offset Error	(Note 6)	●	±1	±8.5	mV
Offset Drift			±10		$\mu\text{V}/^\circ\text{C}$
Gain Error	External Reference	●	±0.2	±1.5	%FS
Full-Scale Drift	Internal Reference		±30		ppm/ $^\circ\text{C}$
	External Reference		±15		ppm/ $^\circ\text{C}$
Transition Noise			3		$\text{LSB}_{\text{RMS}}$

22732fa

## ANALOG INPUT

The ● denotes the specifications which apply over the full operating temperature range, otherwise specifications are at  $T_A = 25^\circ\text{C}$ . (Note 4)

SYMBOL	PARAMETER	CONDITIONS	MIN	TYP	MAX	UNITS	
$V_{IN}$	Analog Input Range ( $A_{IN}^+ - A_{IN}^-$ )	$3.135\text{V} \leq V_{DD} \leq 3.465\text{V}$	●	1.5 or 2.25		$V_{P-P}$	
$V_{IN, CM}$	Analog Input Common Mode	Differential Input (Note 7)	●	1	1.25	1.5	V
$I_{IN}$	Analog Input Leakage Current	$0\text{V} \leq A_{IN}^+, A_{IN}^- \leq V_{DD}$ (Note 10)	●	-1		1	$\mu\text{A}$
$I_{SENSE}$	SENSE Input Leakage Current	$0\text{V} \leq \text{SENSE} \leq V_{DD}$ (Note 11)		-3		3	$\mu\text{A}$
$C_{IN}$	Analog Input Capacitance	Sample Mode $ENC^+ < ENC^-$ Hold Mode $ENC^+ > ENC^-$		6.7		1.8	pF pF
$t_{AP}$	Sample-and-Hold Acquisition Delay Time			1			ns
$t_{JITTER}$	Sample-and-Hold Acquisition Delay Time Jitter			80			$\text{fs}_{RMS}$
CMRR	Analog Input Common Mode Rejection Ratio	$1\text{V} < (A_{IN}^+ = A_{IN}^-) < 1.5\text{V}$		80			dB
BW-3dB	Full Power Bandwidth	$R_S \leq 25\Omega$		700			MHz

## DYNAMIC ACCURACY

The ● denotes the specifications which apply over the full operating temperature range, otherwise specifications are at  $T_A = 25^\circ\text{C}$ .  $A_{IN} = -1\text{dBFS}$ . (Note 4)

SYMBOL	PARAMETER	CONDITIONS	LTC2273			LTC2272			UNITS
			MIN	TYP	MAX	MIN	TYP	MAX	
SNR	Signal-to-Noise Ratio	5MHz Input (2.25V Range, PGA = 0)		77.6		77.6		dBFS	
		5MHz Input (1.5V Range, PGA = 1)		75.4		75.4		dBFS	
		15MHz Input (2.25V Range, PGA = 0), $T_A = 25^\circ\text{C}$	●	76.5	77.5	76.5	77.5	dBFS	
		15MHz Input (2.25V Range, PGA = 0)		76.2	77.2	76.2	77.2	dBFS	
		15MHz Input (1.5V Range, PGA = 1)			75.3		75.3	dBFS	
		70MHz Input (2.25V Range, PGA = 0)			77.2		77.2	dBFS	
		70MHz Input (1.5V Range, PGA = 1), $T_A = 25^\circ\text{C}$	●	74.5	75.1	74.5	75.1	dBFS	
		70MHz Input (1.5V Range, PGA = 1)		74.2	74.8	74.2	74.8	dBFS	
SFDR	Spurious Free Dynamic Range 2 <sup>nd</sup> or 3 <sup>rd</sup> Harmonic	5MHz Input (2.25V Range, PGA = 0)		100		100		dBc	
		5MHz Input (1.5V Range, PGA = 1)		100		100		dBc	
		15MHz Input (2.25V Range, PGA = 0), $T_A = 25^\circ\text{C}$	●	85	95	85	95	dBc	
		15MHz Input (2.25V Range, PGA = 0)		84	95	84	95	dBc	
		15MHz Input (1.5V Range, PGA = 1)			100		100	dBc	
		70MHz Input (2.25V Range, PGA = 0)			86		86	dBc	
		70MHz Input (1.5V Range, PGA = 1), $T_A = 25^\circ\text{C}$	●	84	94	84	94	dBc	
		70MHz Input (1.5V Range, PGA = 1)		83	92	83	92	dBc	
		140MHz Input (2.25V Range, PGA = 0)			85		85	dBc	
		140MHz Input (1.5V Range, PGA = 1)			90		90	dBc	
170MHz Input (2.25V Range, PGA = 0)			80		80		dBc		
	170MHz Input (1.5V Range, PGA = 1)		85		85		dBc		

## DYNAMIC ACCURACY

The ● denotes the specifications which apply over the full operating temperature range, otherwise specifications are at  $T_A = 25^\circ\text{C}$ .  $A_{1N} = -1\text{dBFS}$  unless otherwise noted. (Note 4)

SYMBOL	PARAMETER	CONDITIONS	LTC2273			LTC2272			UNITS
			MIN	TYP	MAX	MIN	TYP	MAX	
SFDR	Spurious Free Dynamic Range 4 <sup>th</sup> Harmonic or Higher	5MHz Input (2.25V Range, PGA = 0)		100		100		dBc	
		5MHz Input (1.5V Range, PGA = 1)		100		100		dBc	
		15MHz Input (2.25V Range, PGA = 0)	●	90	100	90	100	dBc	
		15MHz Input (1.5V Range, PGA = 1)			100		100	dBc	
		70MHz Input (2.25V Range, PGA = 0)			100		100	dBc	
		70MHz Input (1.5V Range, PGA = 1)	●	90	100	90	100	dBc	
S/(N+D)	Signal-to-Noise Plus Distortion Ratio	5MHz Input (2.25V Range, PGA = 0)		77.5		77.5		dBFS	
		5MHz Input (1.5V Range, PGA = 1)		75.3		75.3		dBFS	
		15MHz Input (2.25V Range, PGA = 0), $T_A = 25^\circ\text{C}$	●	76.3	77.4	76.3	77.4	dBFS	
		15MHz Input (2.25V Range, PGA = 0)		75.9	77	75.9	77	dBFS	
		15MHz Input (1.5V Range, PGA = 1)			75.2		75.2	dBFS	
		70MHz Input (2.25V Range, PGA = 0)			76.7		76.7	dBFS	
70MHz Input (1.5V Range, PGA = 1), $T_A = 25^\circ\text{C}$	●	74.4	75	74.4	75	dBFS			
70MHz Input (1.5V Range, PGA = 1)		74.1	74.7	74.1	74.7	dBFS			
SFDR	Spurious Free Dynamic Range at -25dBFS Dither "OFF"	5MHz Input (2.25V Range, PGA = 0)		105		105		dBFS	
		5MHz Input (1.5V Range, PGA = 1)		105		105		dBFS	
		15MHz Input (2.25V Range, PGA = 0)		105		105		dBFS	
		15MHz Input (1.5V Range, PGA = 1)		105		105		dBFS	
		70MHz Input (2.25V Range, PGA = 0)		105		105		dBFS	
		70MHz Input (1.5V Range, PGA = 1)		105		105		dBFS	
SFDR	Spurious Free Dynamic Range at -25dBFS Dither "ON"	5MHz Input (2.25V Range, PGA = 0)		115		115		dBFS	
		5MHz Input (1.5V Range, PGA = 1)		115		115		dBFS	
		15MHz Input (2.25V Range, PGA = 0)	●	97	115	97	115	dBFS	
		15MHz Input (1.5V Range, PGA = 1)			115		115	dBFS	
		70MHz Input (2.25V Range, PGA = 0)			115		115	dBFS	
		70MHz Input (1.5V Range, PGA = 1)			115		115	dBFS	
SFDR	Spurious Free Dynamic Range at -25dBFS Dither "ON"	140MHz Input (2.25V Range, PGA = 0)		110		110		dBFS	
		140MHz Input (1.5V Range, PGA = 1)		110		110		dBFS	
		170MHz Input (2.25V Range, PGA = 0)		105		105		dBFS	
		170MHz Input (1.5V Range, PGA = 1)		105		105		dBFS	

## COMMON MODE BIAS CHARACTERISTICS

The ● denotes the specifications which apply over the full operating temperature range, otherwise specifications are at  $T_A = 25^\circ\text{C}$ . (Note 4)

PARAMETER	CONDITIONS	MIN	TYP	MAX	UNITS
$V_{CM}$ Output Voltage	$I_{OUT} = 0$	1.15	1.25	1.35	V
$V_{CM}$ Output Tempco	$I_{OUT} = 0$	●	40		ppm/ $^\circ\text{C}$
$V_{CM}$ Line Regulation	$3.135\text{V} \leq V_{DD} \leq 3.465\text{V}$	●	1		mV/V
$V_{CM}$ Output Resistance	$-1\text{mA} \leq I_{OUT} \leq 1\text{mA}$	●	2		$\Omega$

## DIGITAL INPUTS AND DIGITAL OUTPUTS

The ● denotes the specifications which apply over the full operating temperature range, otherwise specifications are at  $T_A = 25^\circ\text{C}$ . (Note 4)

SYMBOL	PARAMETER	CONDITIONS	MIN	TYP	MAX	UNITS
<b>Encode Inputs (ENC<sup>+</sup>, ENC<sup>-</sup>)</b>						
$V_{ID}$	Differential Input Voltage	(Note 7)	●	0.2		V
$V_{ICM}$	Common Mode Input Voltage	Internally Set Externally Set (Note 7)		1.4	1.6 3.0	V
$R_{IN}$	Input Resistance	(See Figure 2)		6		k $\Omega$
$C_{IN}$	Input Capacitance			3		pF
<b>SYNC Inputs (SYNC<sup>+</sup>, SYNC<sup>-</sup>)</b>						
$V_{SID}$	SYNC Differential Input Voltage	(Note 7)	●	0.2		V
$V_{SICM}$	SYNC Common Mode Input Voltage	Internally Set Externally Set (Note 7)		1.1	1.6 2.2	V
$R_{SIN}$	SYNC Input Resistance			16.5		k $\Omega$
$C_{SIN}$	SYNC Input Capacitance			3		pF
<b>Logic Inputs (DITH, PGA, MSBINV, SCRAM, FAM, SHDN, SRR1, SRR0, ISMODE, PAT1, PAT0)</b>						
$V_{IH}$	High Level Input Voltage	$V_{DD} = 3.3\text{V}$	●	2		V
$V_{IL}$	Low Level Input Voltage	$V_{DD} = 3.3\text{V}$	●		0.8	V
$I_{IN}$	Input Current	$V_{IN} = 0\text{V to } V_{DD}$	●		$\pm 20$	$\mu\text{A}$
$C_{IN}$	Input Capacitance			1.5		pF
<b>High-Speed Serial Outputs (CMLOUT<sup>+</sup>, CMLOUT<sup>-</sup>)</b>						
$V_{OH}$	Output High Level	Directly-Coupled 50 $\Omega$ to $0V_{DD}$			$0V_{DD}$	V
		Directly-Coupled 100 $\Omega$ Differential			$0V_{DD} - 0.2$	V
		AC-Coupled			$0V_{DD} - 0.2$	V
$V_{OL}$	Output Low Level	Directly-Coupled 50 $\Omega$ to $0V_{DD}$			$0V_{DD} - 0.4$	V
		Directly-Coupled 100 $\Omega$ Differential			$0V_{DD} - 0.6$	V
		AC-Coupled			$0V_{DD} - 0.6$	V
$V_{OCM}$	Output Common Mode Voltage	Directly-Coupled 50 $\Omega$ to $0V_{DD}$			$0V_{DD} - 0.2$	V
		Directly-Coupled 100 $\Omega$ Differential			$0V_{DD} - 0.4$	V
		AC-Coupled			$0V_{DD} - 0.4$	V
$R_{OUT}$	Output Resistance	Single-Ended Differential	●	35	50 100	65 $\Omega$ $\Omega$

## POWER REQUIREMENTS

The ● denotes the specifications which apply over the full operating temperature range, otherwise specifications are at  $T_A = 25^\circ\text{C}$ .  $A_{IN} = -1\text{dBFS}$ . (Note 4)

SYMBOL	PARAMETER	CONDITIONS	LTC2273			LTC2272			UNITS
			MIN	TYP	MAX	MIN	TYP	MAX	
$V_{DD}$	Analog Supply Voltage		● 3.135	3.3	3.465	3.135	3.3	3.465	V
$P_{SHDN}$	Shutdown Power	$SHDN = V_{DD}$		5			5		mW
$OV_{DD}$	Output Supply Voltage	CMLOUT Directly-Coupled, $50\Omega$ to $OV_{DD}$ (Note 7) CMLOUT Directly-Coupled, $100\Omega$ Diff. (Note 7) CMLOUT AC-Coupled (Note 7)	● 1.2 1.4 1.4		$V_{DD}$ $V_{DD}$ $V_{DD}$	1.2 1.4 1.4		$V_{DD}$ $V_{DD}$ $V_{DD}$	V V V
$I_{VDD}$	Analog Supply Current	DC Input	●	233	370		300	340	mA
$I_{OVDD}$	Output Supply Current	CMLOUT Directly-Coupled, $50\Omega$ to $OV_{DD}$ CMLOUT Directly-Coupled, $100\Omega$ Diff. CMLOUT AC-Coupled	●	8 16 16			8 16 16		mA mA mA
$P_{DIS}$	Power Dissipation	DC Input	●	1100	1221		990	1122	mW

## TIMING CHARACTERISTICS

The ● denotes the specifications which apply over the full operating temperature range, otherwise specifications are at  $T_A = 25^\circ\text{C}$ . (Note 4)

SYMBOL	PARAMETER	CONDITIONS	LTC2273			LTC2272			UNITS
			MIN	TYP	MAX	MIN	TYP	MAX	
$f_S$	Sampling Frequency	(Note 9)	● 20		80	20		65	MHz
$t_{CONV}$	Conversion Period			$1/f_S$			$1/f_S$		s
$t_L$	ENC Clock Low Time	(Note 7)	● 4.06	6.25	25	5.03	7.69	25	ns
$t_H$	ENC Clock High Time	(Note 7)	● 4.06	6.25	25	5.03	7.69	25	ns
$t_{AP}$	Sample-and-Hold Aperture Delay			0.7			0.7		ns
$t_{BIT, UI}$	Period of a Serial Bit			$t_{CONV}/20$			$t_{CONV}/20$		s
$t_{JIT}$	Total Jitter of CMLOUT $\pm$ (P-P)	BER = $1E-12$ (Note 7)	●		0.35			0.35	UI
$t_R, t_F$	Differential Rise and Fall Time of CMLOUT $\pm$ (20% to 80%)	$R_{TERM} = 50\Omega$ , $C_L = 2\text{pF}$ (Note 7)	●	50	110		50	110	ps
$t_{SU}$	$\overline{SYNC}$ to ENC Clock Setup Time	(Note 7)	●	2			2		ns
$t_{HD}$	ENC Clock to $\overline{SYNC}$ Hold Time	(Note 7)	●	2.5			2.5		ns
$t_{CS}$	ENC Clock to $\overline{SYNC}$ Delay	(Note 7)	●	$t_{HD}$	$t_{CONV} - t_{SU}$		$t_{HD}$	$t_{CONV} - t_{SU}$	ns
$LAT_P$	Pipeline Latency			9			9		Cycles
$LAT_{SC}$	Latency from $\overline{SYNC}$ Active to COMMA Out			3			3		Cycles
$LAT_{SD}$	Latency from $\overline{SYNC}$ Release to DATA Out			2			2		Cycles

**Note 1:** Stresses beyond those listed under Absolute Maximum Ratings may cause permanent damage to the device. Exposure to any Absolute Maximum Rating condition for extended periods may affect device reliability and lifetime.

**Note 2:** All voltage values are with respect to GND (unless otherwise noted).

**Note 3:** When these pin voltages are taken below GND or above  $V_{DD}$ , they will be clamped by internal diodes. This product can handle input currents of greater than 100mA below GND or above  $V_{DD}$  without latching.

**Note 4:**  $V_{DD} = 3.3\text{V}$ ,  $f_{SAMPLE} = 105\text{MHz}$  differential ENC $^+$ /ENC $^- = 2V_{P-P}$  sine wave with 1.6V common mode, input range =  $2.25V_{P-P}$  with differential drive (PGA = 0), unless otherwise specified.

**Note 5:** Integral nonlinearity is defined as the deviation of a code from a "best fit straight line" to the transfer curve. The deviation is measured from the center of the quantization band.

**Note 6:** Offset error is the offset voltage measured from  $-1/2\text{LSB}$  when the output code flickers between 0000 0000 0000 0000 and 1111 1111 1111 1111 in 2's complement output mode.

**Note 7:** Guaranteed by design, not subject to test.

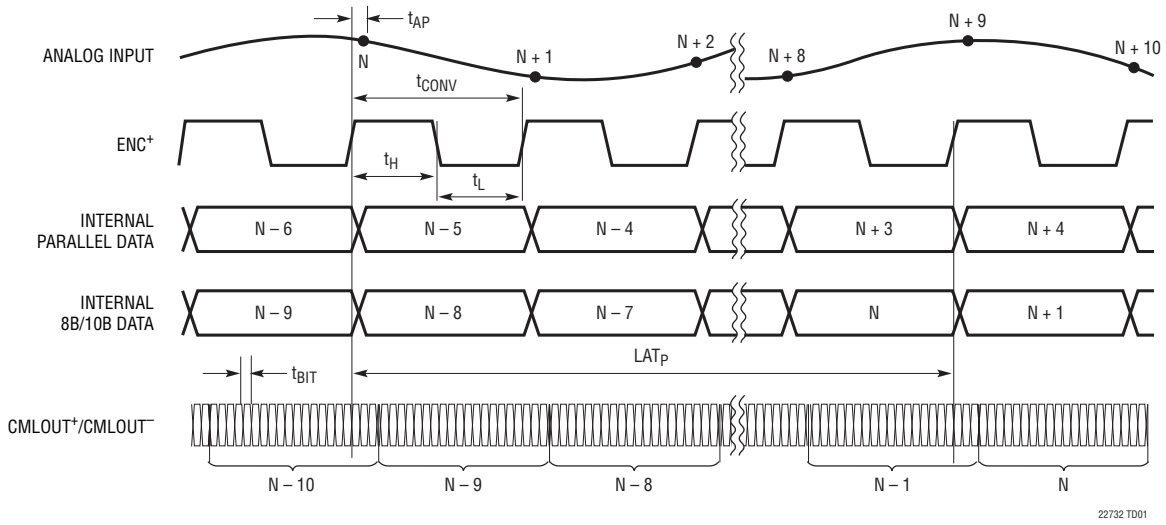
**Note 8:**  $V_{DD} = 3.3\text{V}$ ,  $f_{SAMPLE} = 80\text{Msps}$  (LTC2273) or  $65\text{Msps}$  (LTC2272) input range =  $2.25V_{P-P}$  with differential drive.

**Note 9:** Recommended operating conditions.

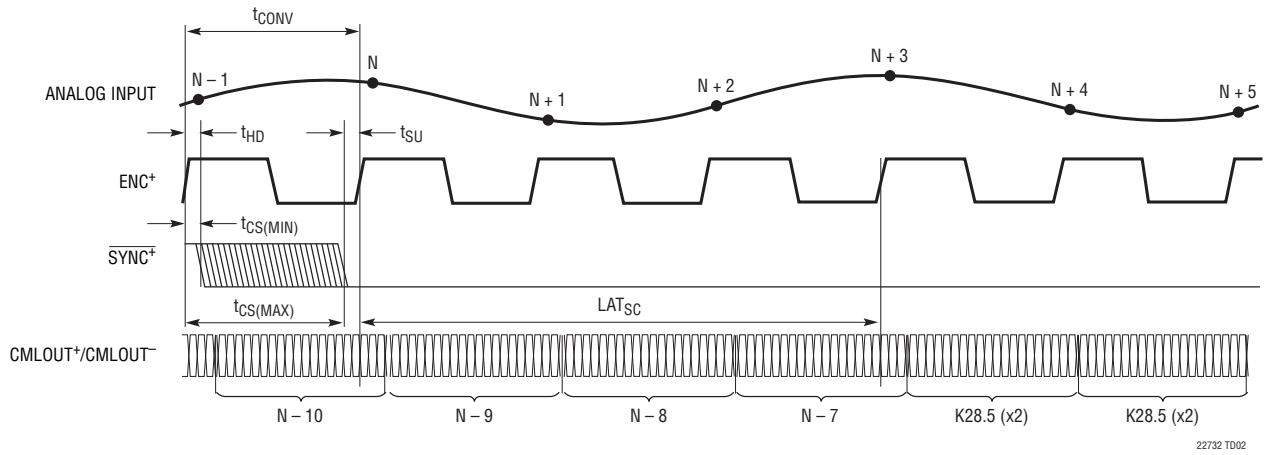
**Note 10:** The dynamic current of the switched capacitors analog inputs can be large compared to the leakage current and will vary with the sample rate.

**Note 11:** Leakage current will have higher transient current at power up. Keep drive resistance at or below 1k.

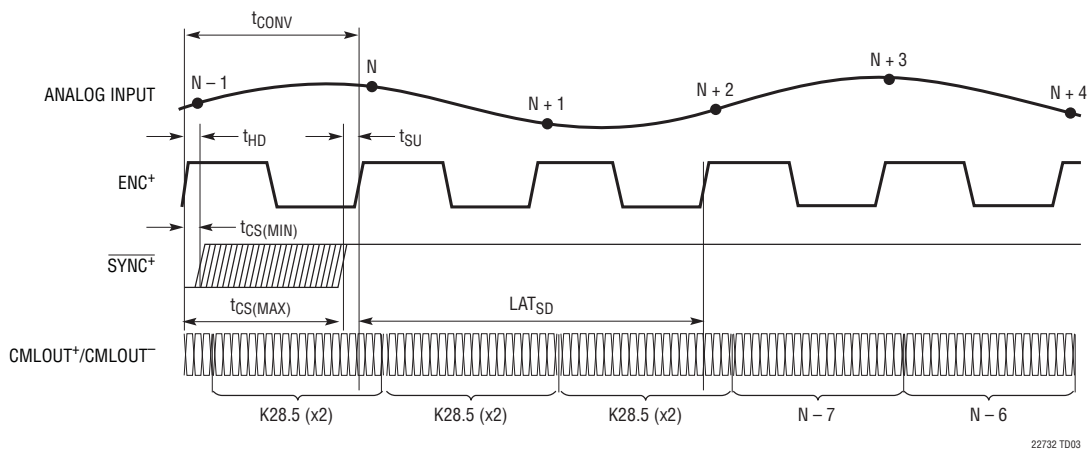
# TIMING DIAGRAMS



Analog Input to Serial Data Out Timing



SYNC<sup>+</sup> Falling Edge to Comma (K28.5) Timing



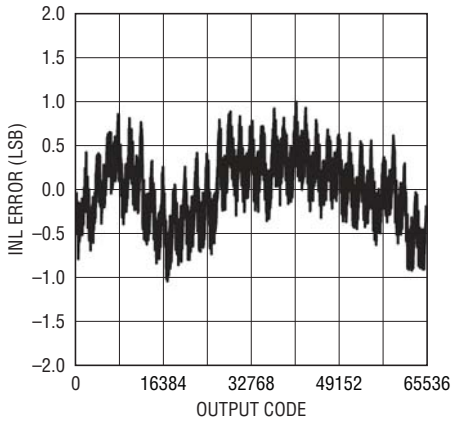
SYNC<sup>+</sup> Rising Edge to Data Timing



# LTC2273/LTC2272

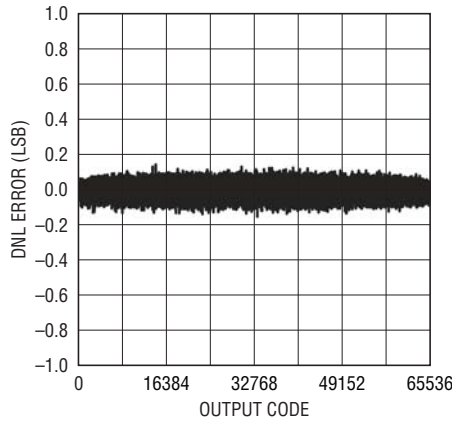
## TYPICAL PERFORMANCE CHARACTERISTICS $V_{DD} = 3.3V$ , $OV_{DD} = 1.5V$ , $T_A = 25^\circ C$ , $F_S = 80MSPS$ , unless otherwise noted.

**LTC2273: Integral Non-Linearity (INL) vs Output Code**



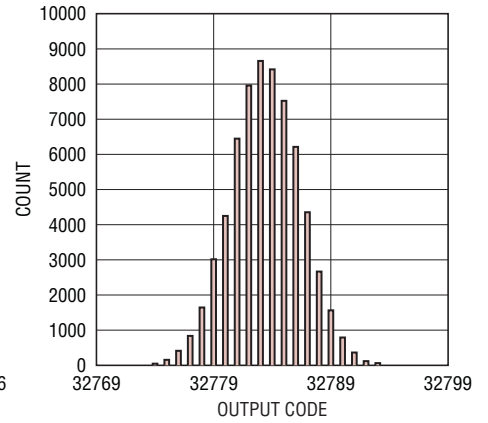
22732 G01

**LTC2273: Differential Non-Linearity (DNL) vs Output Code**



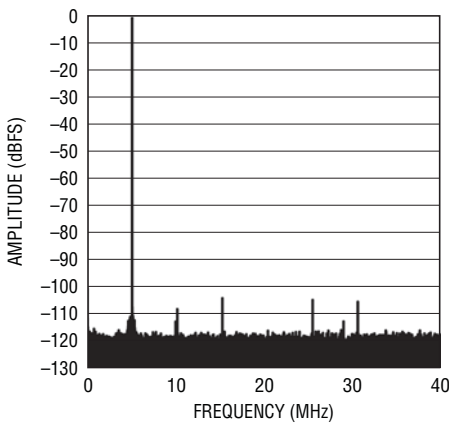
22732 G02

**LTC2273: AC Grounded Input Histogram**



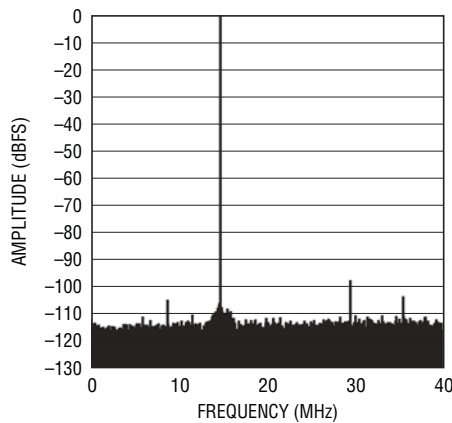
22732 G03

**LTC2273: 128k Point FFT,  $f_{IN} = 5.1MHz$ ,  $-1dBFS$ ,  $PGA = 0$**



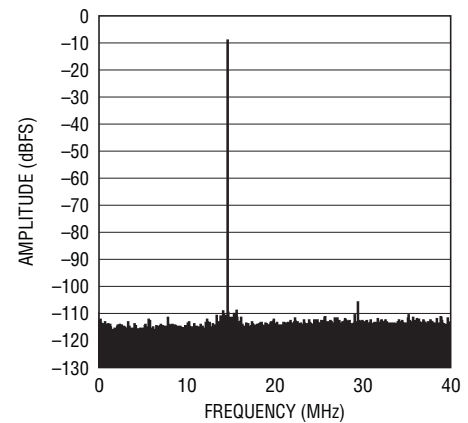
22732 G04

**LTC2273: 64k Point FFT,  $f_{IN} = 14.8MHz$ ,  $-1dBFS$ ,  $PGA = 0$**



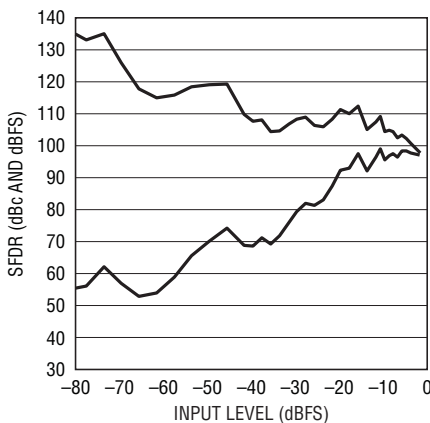
22732 G05

**LTC2273: 64k Point FFT,  $f_{IN} = 14.8MHz$ ,  $-10dBFS$ ,  $PGA = 0$**



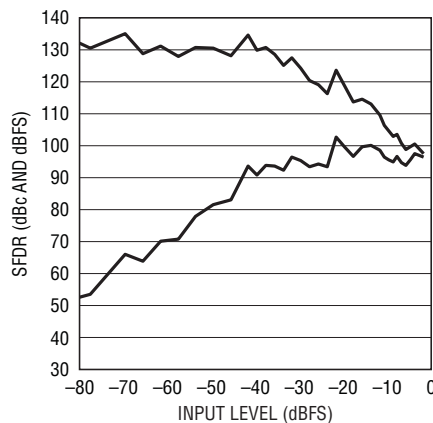
22732 G06

**LTC2273: SFDR vs Input Level,  $f_{IN} = 15MHz$ ,  $PGA = 0$ , Dither "Off"**



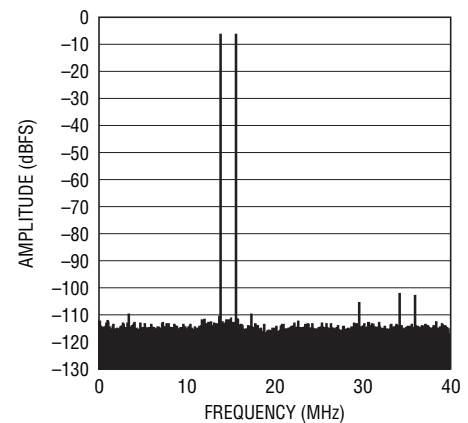
22732 G07

**LTC2273: SFDR vs Input Level,  $f_{IN} = 15MHz$ ,  $PGA = 0$ , Dither "On"**



22732 G08

**LTC2273: 64k Point 2-Tone FFT,  $f_{IN} = 14.01MHz$  and  $15.81MHz$ ,  $-7dBFS$ ,  $PGA = 0$**



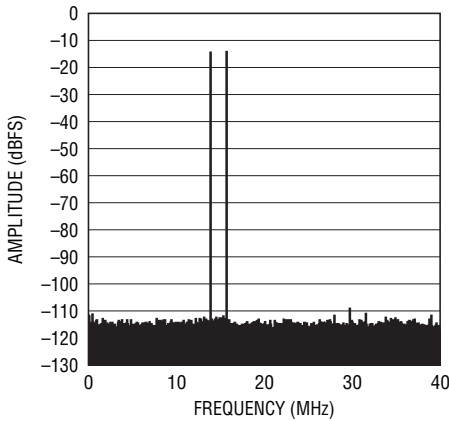
22732 G09

22732fa



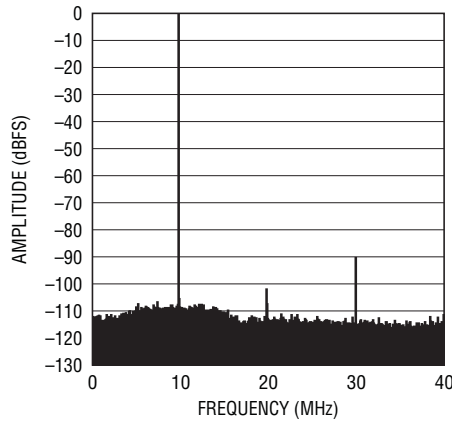
## TYPICAL PERFORMANCE CHARACTERISTICS $V_{DD} = 3.3V, OV_{DD} = 1.5V, T_A = 25^\circ C, F_S = 80Mps,$ unless otherwise noted.

**LTC2273: 64k Point 2-Tone FFT,  
 $f_{IN} = 14.01MHz$  and  $15.8MHz,$   
 $-15dBFS, PGA = 0$**



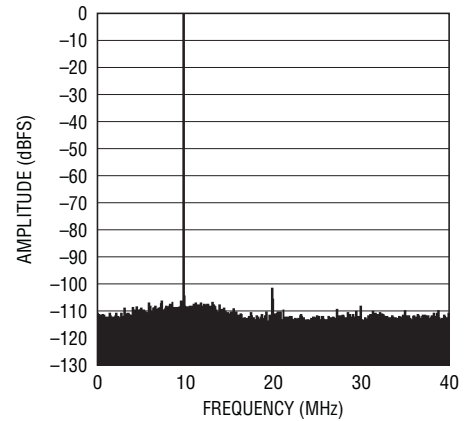
22732 G10

**LTC2273: 64k Point FFT,  
 $f_{IN} = 70MHz, -1dBFS, PGA = 0$**



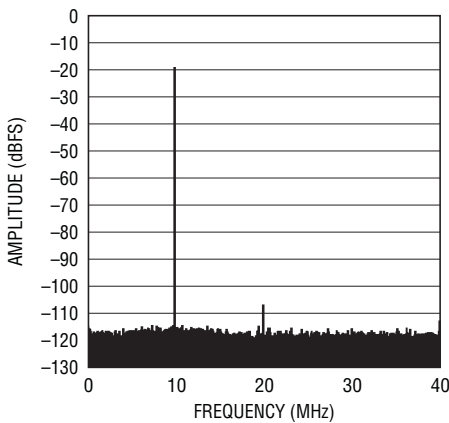
22732 G11

**LTC2273: 64k Point FFT,  
 $f_{IN} = 70MHz, -1dBFS, PGA = 1$**



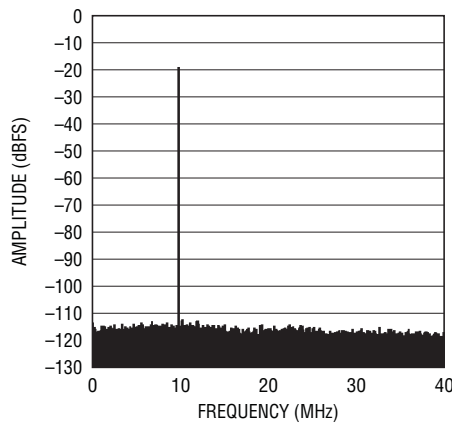
22732 G12

**LTC2273: 128k Point FFT,  
 $f_{IN} = 70MHz, -20dBFS,$   
 $PGA = 0, Dither "Off"$**



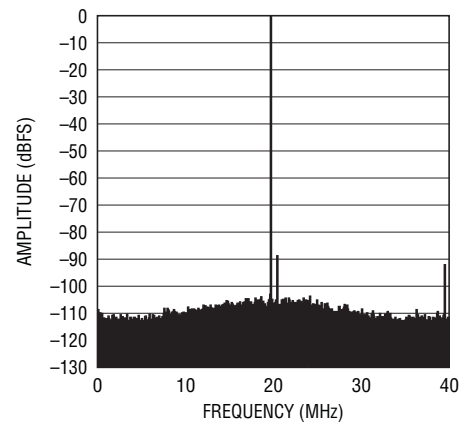
22732 G13

**LTC2273: 128k Point FFT,  
 $f_{IN} = 70MHz, -20dBFS,$   
 $PGA = 0, Dither "On"$**



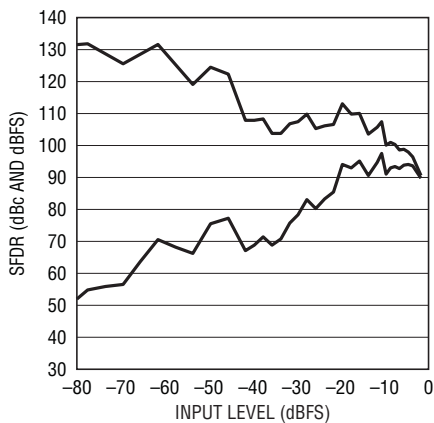
22732 G14

**LTC2273: 64k Point FFT,  
 $f_{IN} = 140.2MHz, -1dBFS, PGA = 1$**



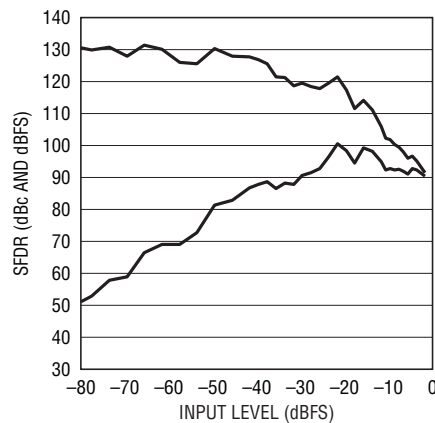
22732 G15

**LTC2273: SFDR vs Input Level,  
 $f_{IN} = 140MHz, PGA = 1,$   
 $Dither "Off"$**



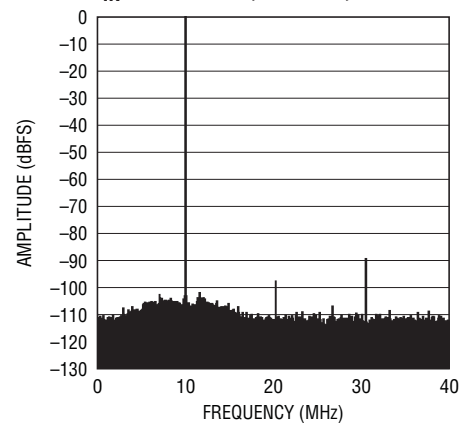
22732 G16

**LTC2273: SFDR vs Input Level,  
 $f_{IN} = 140MHz, PGA = 1,$   
 $Dither "On"$**



22732 G17

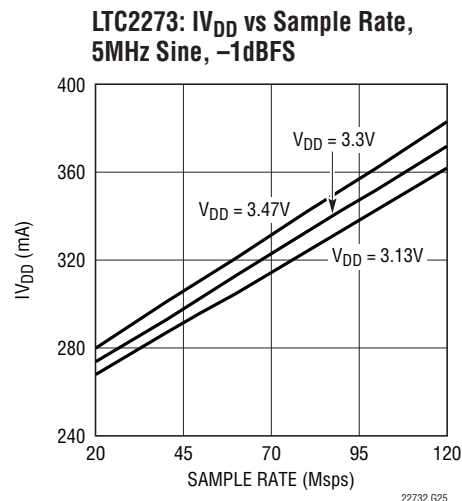
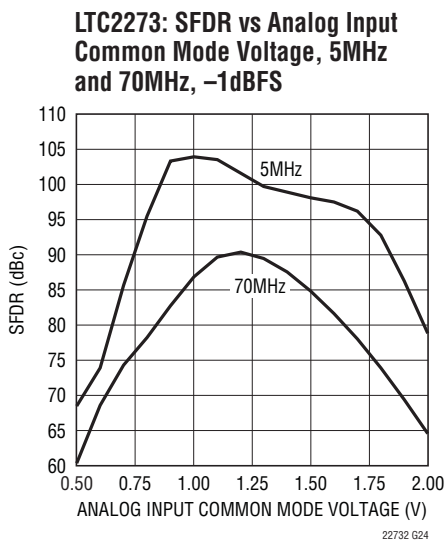
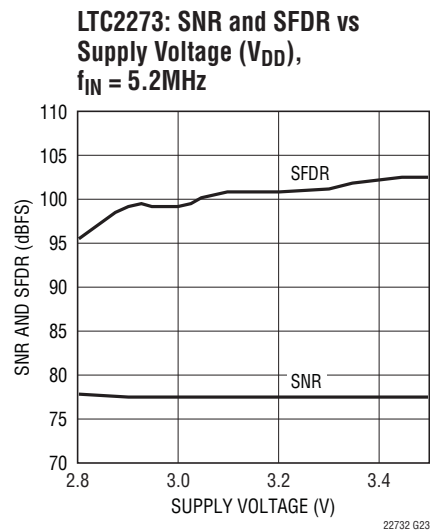
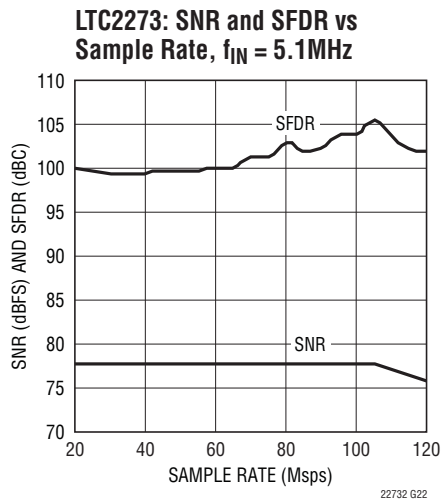
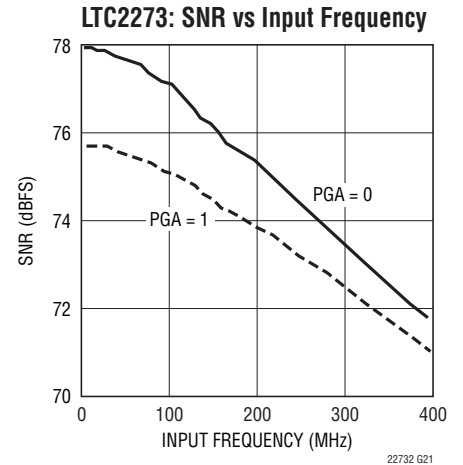
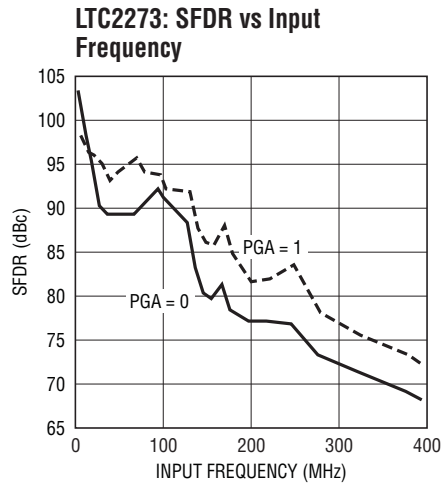
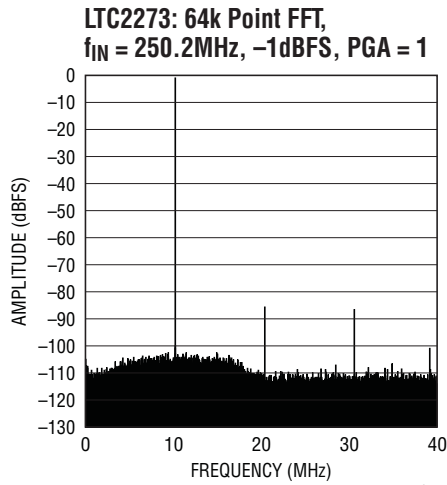
**LTC2273: 64k Point FFT,  
 $f_{IN} = 170.2MHz, -1dBFS, PGA = 1$**



22732 G18

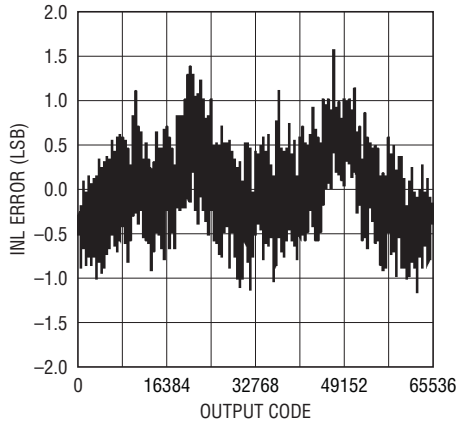
# LTC2273/LTC2272

## TYPICAL PERFORMANCE CHARACTERISTICS $V_{DD} = 3.3V$ , $OV_{DD} = 1.5V$ , $T_A = 25^\circ C$ , $F_S = 80MSPS$ , unless otherwise noted.



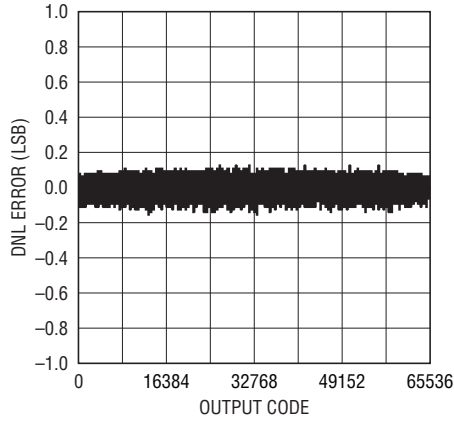
**TYPICAL PERFORMANCE CHARACTERISTICS**  $V_{DD} = 3.3V$ ,  $OV_{DD} = 1.5V$ ,  $T_A = 25^\circ C$ ,  $F_S = 65MSPS$ , unless otherwise noted.

**LTC2272: Integral Non-Linearity (INL) vs Output Code**



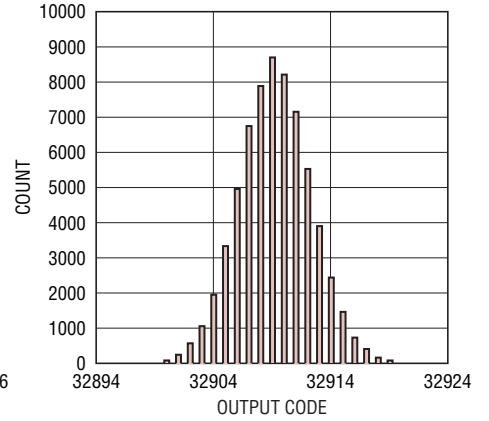
22732 G26

**LTC2272: Differential Non-Linearity (DNL) vs Output Code**



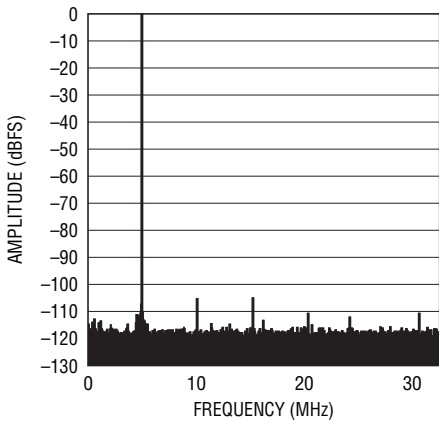
22732 G27

**LTC2272: AC Grounded Input Histogram**



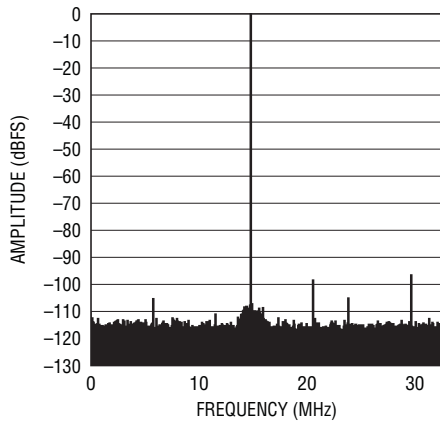
22732 G28

**LTC2272: 128k Point FFT,  $f_{IN} = 5.1MHz$ ,  $-1dBFS$ ,  $PGA = 0$**



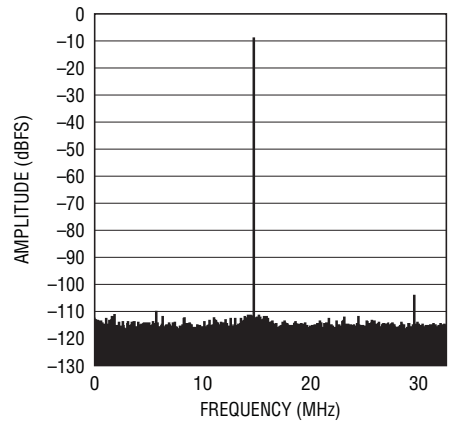
22732 G29

**LTC2272: 64k Point FFT,  $f_{IN} = 14.8MHz$ ,  $-1dBFS$ ,  $PGA = 0$**



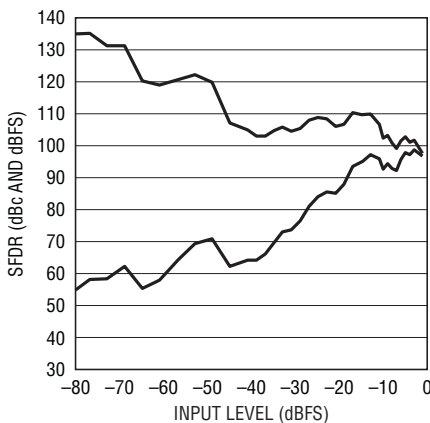
22732 G30

**LTC2272: 64k Point FFT,  $f_{IN} = 14.8MHz$ ,  $-10dBFS$ ,  $PGA = 0$**



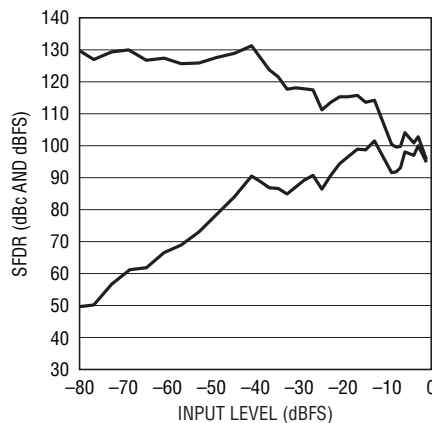
22732 G31

**LTC2272: SFDR vs Input Level,  $f_{IN} = 15MHz$ ,  $PGA = 0$ , Dither "Off"**



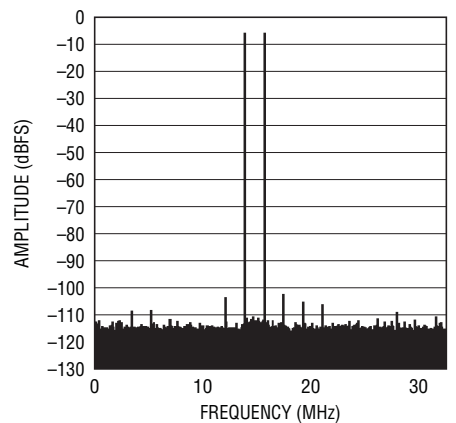
22732 G32

**LTC2272: SFDR vs Input Level,  $f_{IN} = 15MHz$ ,  $PGA = 0$ , Dither "On"**



22732 G33

**LTC2272: 64k Point 2-Tone FFT,  $f_{IN} = 14.01MHz$  and  $15.8MHz$ ,  $-7dBFS$ ,  $PGA = 0$**

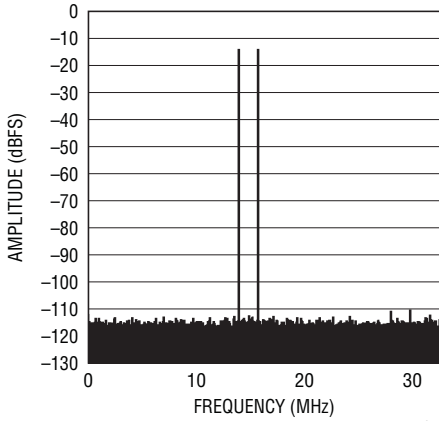


22732 G34

# LTC2273/LTC2272

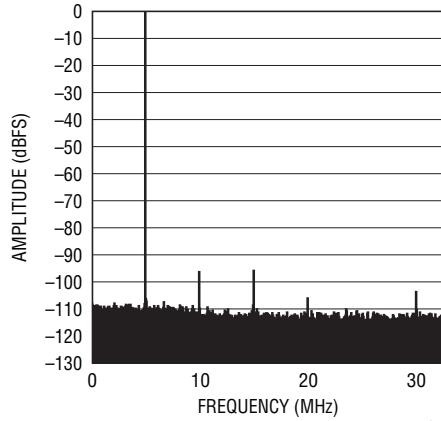
## TYPICAL PERFORMANCE CHARACTERISTICS $V_{DD} = 3.3V$ , $OV_{DD} = 1.5V$ , $T_A = 25^\circ C$ , $F_S = 65M$ sp/s, unless otherwise noted.

**LTC2272: 64k Point FFT,  
 $f_{IN} = 14.01MHz$  and  $15.8MHz$ ,  
-15dBFS, PGA = 0**



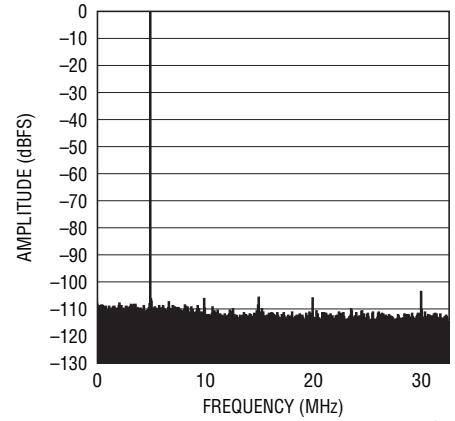
22732 G35

**LTC2272: 64k Point FFT,  
 $f_{IN} = 70MHz$ , -1dBFS, PGA = 0**



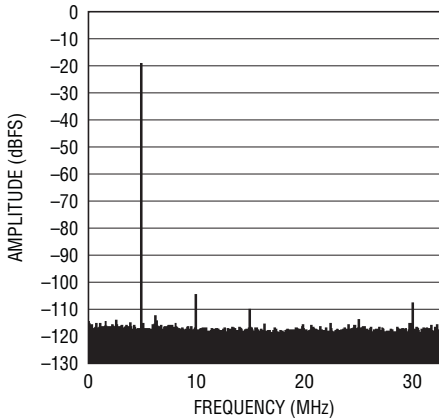
22732 G36

**LTC2272: 64k Point FFT,  
 $f_{IN} = 70MHz$ , -1dBFS, PGA = 1**



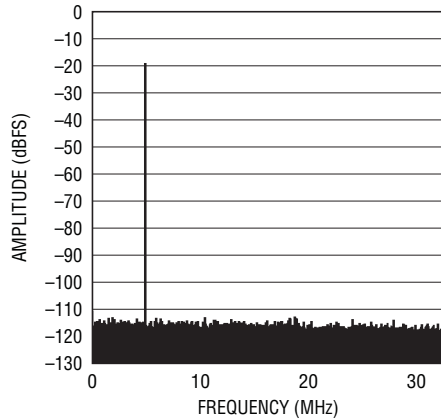
22732 G37

**LTC2272: 128k Point FFT,  
 $f_{IN} = 70MHz$ , -20dBFS,  
PGA = 0, Dither "Off"**



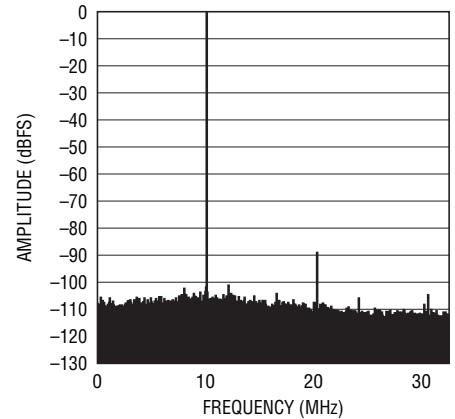
22732 G38

**LTC2272: 128k Point FFT,  
 $f_{IN} = 70MHz$ , -20dBFS,  
PGA = 0, Dither "On"**



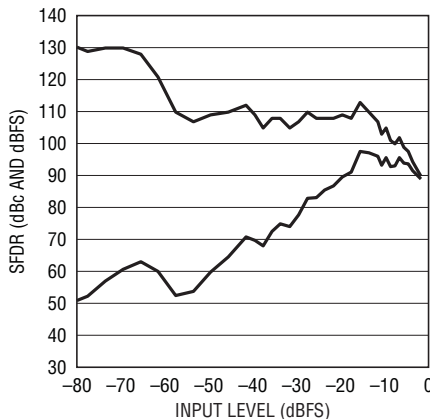
22732 G39

**LTC2272: 64k Point FFT,  
 $f_{IN} = 140.2MHz$ , -1dBFS, PGA = 1**



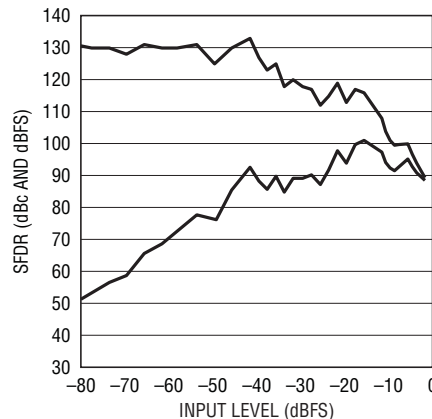
22732 G40

**LTC2272: SFDR vs Input Level,  
 $f_{IN} = 140MHz$ , PGA = 1,  
Dither "Off"**



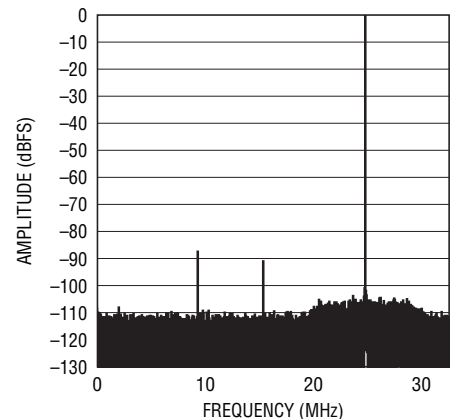
22732 G41

**LTC2272: SFDR vs Input Level,  
 $f_{IN} = 140MHz$ , PGA = 1,  
Dither "On"**



22732 G42

**LTC2272: 64k Point FFT,  
 $f_{IN} = 170.2MHz$ , -1dBFS, PGA = 1**



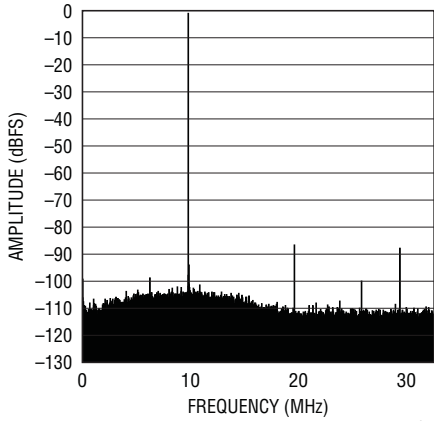
22732 G43

22732fa

**TYPICAL PERFORMANCE CHARACTERISTICS**

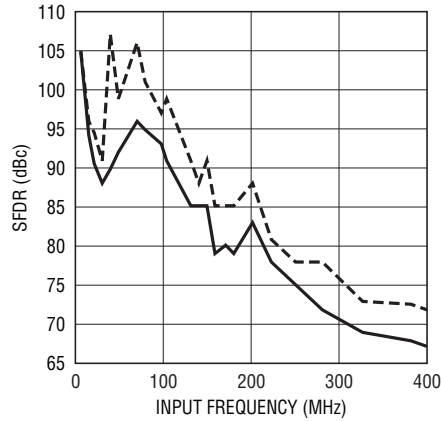
$V_{DD} = 3.3V$ ,  $OV_{DD} = 1.5V$ ,  $T_A = 25^\circ C$ ,  $F_S = 65Mpsps$ , unless otherwise noted.

**LTC2272: 64k Point FFT,**  
 $f_{IN} = 250.2MHz$ ,  $-1dBFS$ ,  $PGA = 1$



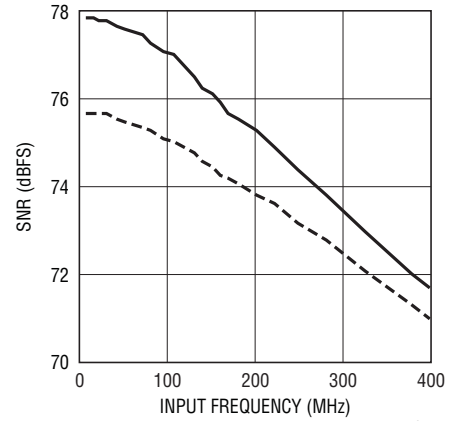
22732 G44

**LTC2272: SFDR vs Input Frequency**



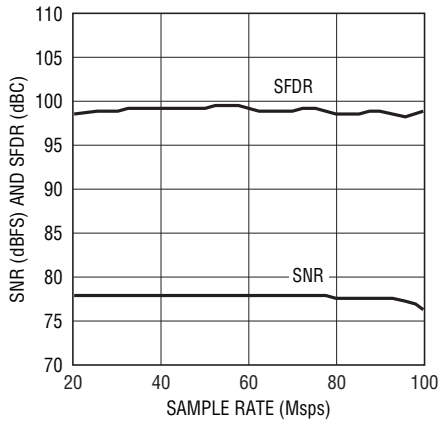
22732 G45

**LTC2272: SNR vs Input Frequency**



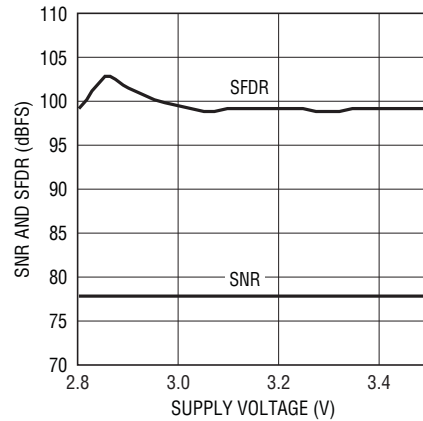
22732 G46

**LTC2272: SNR and SFDR vs Sample Rate,**  
 $f_{IN} = 5.2MHz$



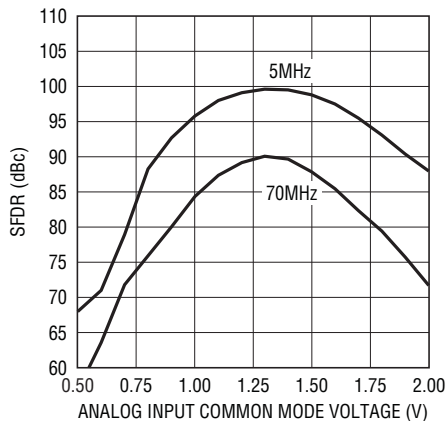
22732 G47

**LTC2272: SNR and SFDR vs Supply Voltage ( $V_{DD}$ ),**  
 $f_{IN} = 5.2MHz$



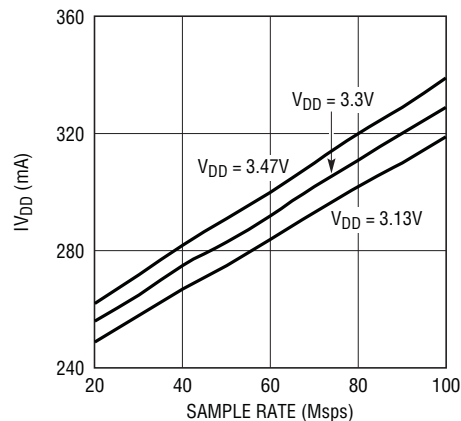
22732 G48

**LTC2272: SFDR vs Analog Input Common Mode Voltage, 5MHz and 70MHz,  $-1dBFS$**



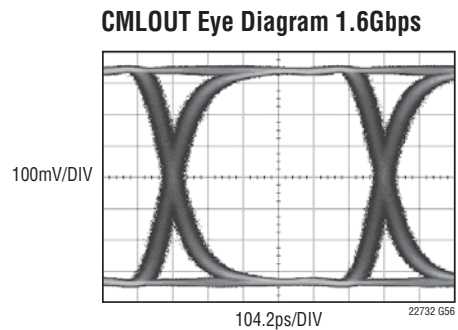
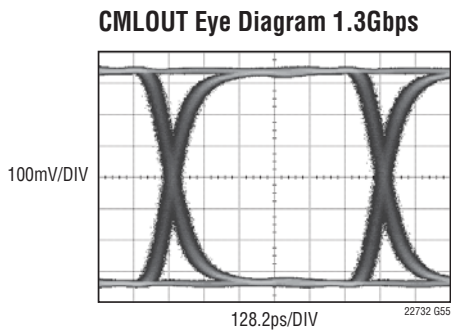
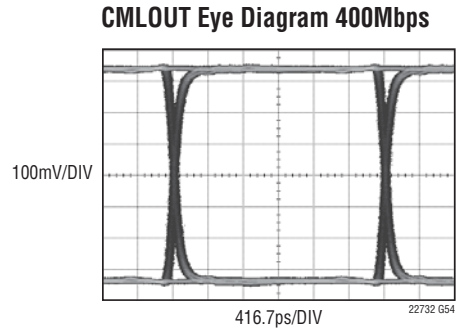
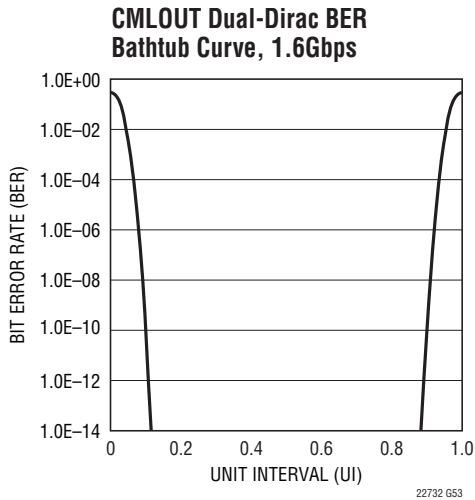
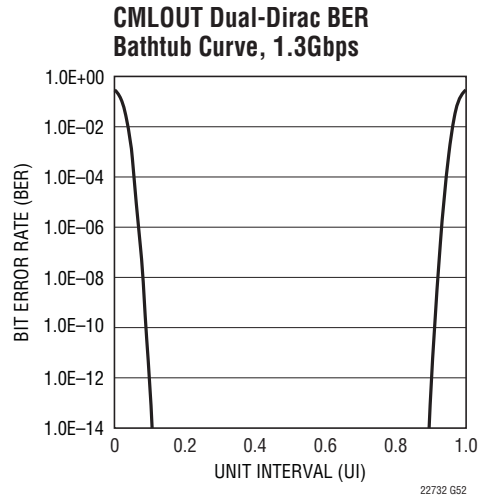
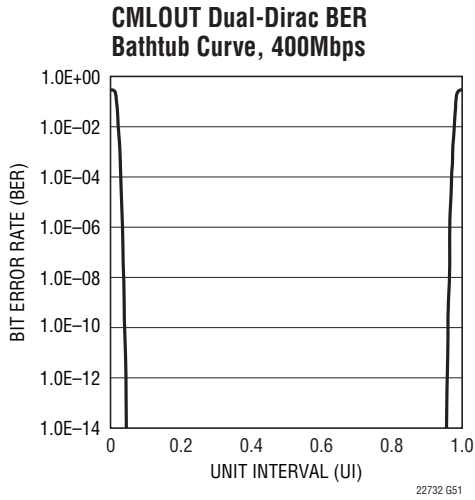
22732 G49

**LTC2272:  $I_{VDD}$  vs Sample Rate, 5MHz Sine,  $-1dBFS$**



22732 G50

## TYPICAL PERFORMANCE CHARACTERISTICS $V_{DD} = 3.3V, 0V_{DD} = 1.5V, T_A = 25^\circ C$ , unless otherwise noted.



## PIN FUNCTIONS

**V<sub>DD</sub> (Pins 1, 2, 12, 13)**: Analog 3.3V Supply. Bypass to GND with 0.1 $\mu$ F ceramic chip capacitors.

**GND (Pins 3, 6, 7, 8, 11, 14, 21, 26, 27, 30, 37, 40, 41)**: ADC Power Ground.

**A<sub>IN</sub><sup>+</sup> (Pin 4)**: Positive Differential Analog Input.

**A<sub>IN</sub><sup>-</sup> (Pin 5)**: Negative Differential Analog Input.

**ENC<sup>+</sup> (Pin 9)**: Positive Differential Encode Input. The sampled analog input is held on the rising edge of ENC<sup>+</sup>. This pin is internally biased to 1.6V through a 6.2k $\Omega$  resistor. Output data can be latched on the falling edge of ENC<sup>+</sup>.

**ENC<sup>-</sup> (Pin 10)**: Negative Differential Encode Input. The sampled analog input is held on the falling edge of ENC<sup>-</sup>. This pin is internally biased to 1.6V through a 6.2k $\Omega$  resistor. Bypass to ground with a 0.1 $\mu$ F capacitor for a single-ended Encode signal.

**DITH (Pin 15)**: Internal Dither Enable Pin. DITH = low disables internal dither. DITH = high enables internal dither. Refer to Internal Dither section of this data sheet for details on dither operation.

**ISM<sub>MODE</sub> (Pin 16)**: Idle Synchronization mode. When IS<sub>MODE</sub> is not asserted, synchronization is performed with a series of COMMAS (K28.5). When IS<sub>MODE</sub> is asserted, a special Idle SYNC mode is enabled where synchronization is performed by sending a COMMA (K28.5) followed by the appropriate data code-group (D5.6 or D16.2) for establishing a negative running disparity for the first data code-group after synchronization.

**SRR0 (Pin 17)**: Sample Rate Range Select Bit0. Used with the SRR1 pin to select the sample rate operating range.

**SRR1 (Pin 18)**: Sample Rate Range Select Bit1. Used with the SRR0 pin to select the sample rate operating range.

**SHDN (Pins 19, 20)**: Shutdown Pins. A high level on both pins will shut down the chip. A low level is required for normal operation.

**OV<sub>DD</sub> (Pins 22, 25)**: Positive Supply for the Output Drivers. Typically 1.2V to 3.3V. The minimum supply is 1.4V when applying a differential termination on the CML<sub>OUT</sub> pins or when AC-coupling the CML<sub>OUT</sub> pins. Bypass to ground with 0.1 $\mu$ F ceramic chip capacitor.

**CML<sub>OUT</sub><sup>-</sup> (Pin 23)**: Negative High-Speed CML Output.

**CML<sub>OUT</sub><sup>+</sup> (Pin 24)**: Positive High-Speed CML Output.

**SYNC<sup>+</sup> (Pin 28)**: Sync Request Positive Input (Active Low for Compatibility with JESD204). A low level on this pin for at least two sample clock cycles will initiate frame synchronization.

**SYNC<sup>-</sup> (Pin 29)**: Sync Request Negative Input. A high level on this pin for at least two sample clock cycles will initiate frame synchronization. For single-ended operation, bypass to ground with a 0.1 $\mu$ F capacitor and use SYNC<sup>+</sup> as the SYNC point.



## PIN FUNCTIONS

**FAM (Pin 31):** Frame Alignment Monitor Enable. A high level enables the substitution of predetermined data at the end of the frame with a K28.7 symbol for frame alignment monitoring.

**PAT0 (Pin 32):** Pattern Select Bit0. Use with PAT1 to select a test pattern for the serial interface.

**PAT1 (Pin 33):** Pattern Select Bit1. Use with PAT0 to select a test pattern for the serial interface.

**SCRAM (Pin 34):** Enable Data Scrambling. A high level on this pin will apply the polynomial  $1 + x^{14} + x^{15}$  in scrambling each ADC data sample. The scrambling takes place before the 8B/10B encoding.

**PGA (Pin 35):** Programmable Gain Amplifier Control Pin. Low selects a front-end gain of 1, input range of  $2.25V_{P-P}$ . High selects a front-end gain of 1.5, input range of  $1.5V_{P-P}$ .

**MSBINV (Pin 36):** Invert the MSB. A high level will invert the MSB to enable the 2's complement format.

**SENSE (Pin 38):** Reference Mode Select and External Reference Input. Tie SENSE to  $V_{DD}$  to select the internal 2.5V bandgap reference. An external reference of 2.5V or 1.25V may be used; both reference values will set a full scale ADC range of 2.25V ( $PGA = 0$ ).

**$V_{CM}$  (Pin 39):** 1.25V Output. Optimum voltage for input common mode. Must be bypassed to ground with a minimum of  $2.2\mu F$ . Ceramic chip capacitors are recommended.

**GND (Exposed Pad) (Pin 41):** ADC Power Ground. The Exposed Pad on the bottom of the package needs to be soldered to ground.

# BLOCK DIAGRAM

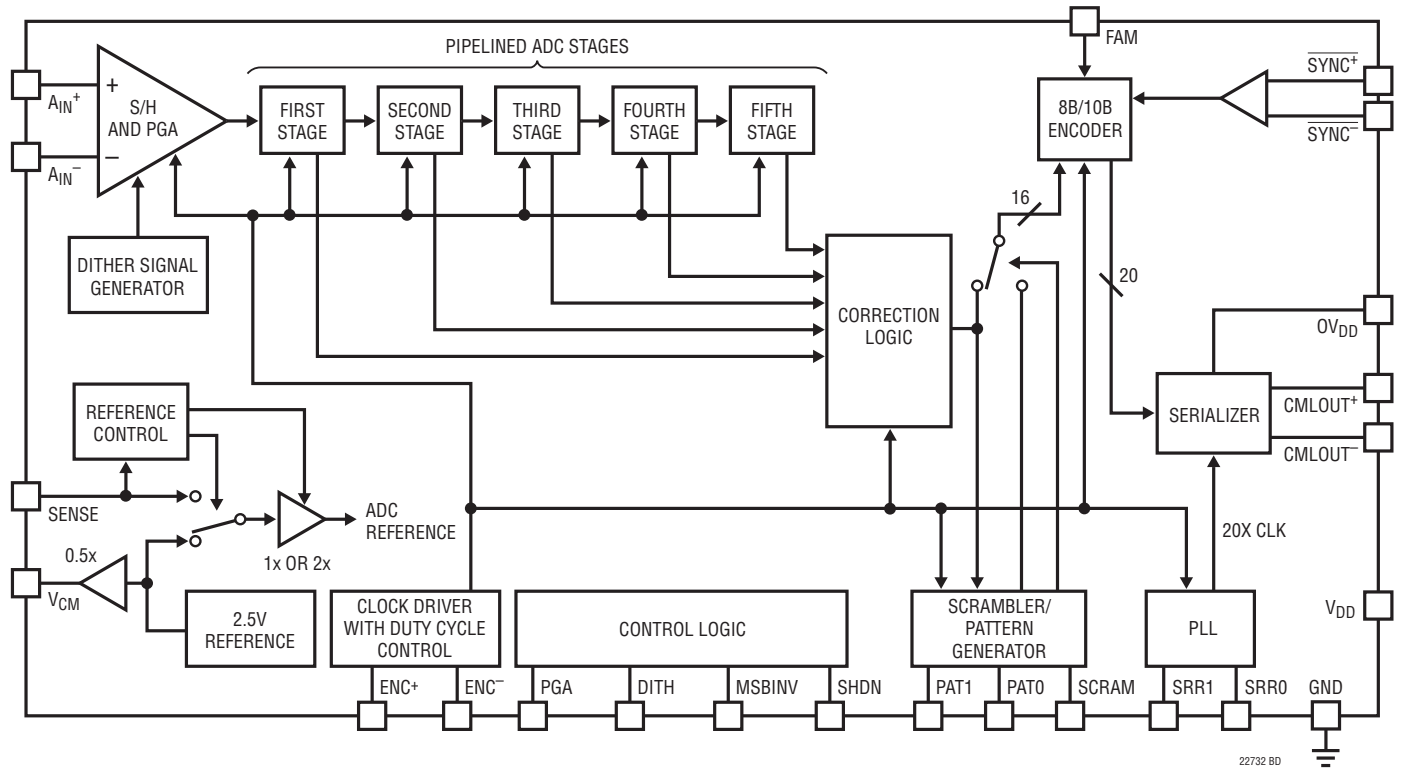


Figure 1. Functional Block Diagram

22732 BD

## DEFINITIONS

### DYNAMIC PERFORMANCE TERMS

#### Signal-to-Noise Plus Distortion Ratio

The signal-to-noise plus distortion ratio [S/(N+D)] is the ratio between the RMS amplitude of the fundamental input frequency and the RMS amplitude of all other frequency components at the ADC output. The output is band limited to frequencies above DC to below half the sampling frequency.

#### Signal-to-Noise Ratio

The signal-to-noise (SNR) is the ratio between the RMS amplitude of the fundamental input frequency and the RMS amplitude of all other frequency components, except the first five harmonics.

#### Total Harmonic Distortion

Total harmonic distortion is the ratio of the RMS sum of all harmonics of the input signal to the fundamental itself. The out-of-band harmonics alias into the frequency band between DC and half the sampling frequency. THD is expressed as:

$$\text{THD} = -20\text{Log} \left( \sqrt{(V_2^2 + V_3^2 + V_4^2 + \dots + V_N^2)} / V_1 \right)$$

where  $V_1$  is the RMS amplitude of the fundamental frequency and  $V_2$  through  $V_N$  are the amplitudes of the second through nth harmonics.

#### Intermodulation Distortion

If the ADC input signal consists of more than one spectral component, the ADC transfer function nonlinearity can produce intermodulation distortion (IMD) in addition to THD. IMD is the change in one sinusoidal input caused by the presence of another sinusoidal input at a different frequency.

If two pure sine waves of frequencies  $f_a$  and  $f_b$  are applied to the ADC input, nonlinearities in the ADC transfer function can create distortion products at the sum and difference frequencies of  $m f_a \pm n f_b$ , where  $m$  and  $n = 0, 1, 2, 3$ , etc. For example, the 3rd order IMD terms include  $(2f_a + f_b)$ ,  $(f_a + 2f_b)$ ,  $(2f_a - f_b)$  and  $(f_a - 2f_b)$ . The 3rd order IMD is defined as the ratio of the RMS value of either input tone to the RMS value of the largest 3rd order IMD product.

#### Spurious Free Dynamic Range (SFDR)

The ratio of the RMS input signal amplitude to the RMS value of the peak spurious spectral component expressed in dBc. SFDR may also be calculated relative to full scale and expressed in dBFS.

#### Full Power Bandwidth

The full power bandwidth is that input frequency at which the amplitude of the reconstructed fundamental is reduced by 3dB for a full scale input signal.

#### Aperture Delay Time

The time from when a rising  $\text{ENC}^+$  equals the  $\text{ENC}^-$  voltage to the instant that the input signal is held by the sample-and-hold circuit.

#### Aperture Delay Jitter

The variation in the aperture delay time from conversion to conversion. This random variation will result in noise when sampling an AC input. The signal to noise ratio due to the jitter alone will be:

$$\text{SNR}_{\text{JITTER}} = -20\text{log} (2\pi \cdot f_{\text{IN}} \cdot t_{\text{JITTER}})$$

### SERIAL INTERFACE TERMS

#### 8B/10B Encoding

A data encoding method designed to make an 8-bit data word (octet) more suitable for serial transmission. The resulting 10-bit word (code-group) has two fundamental strengths: 1) The receiver does not require a high-speed clock to capture the data. This is because the output code-groups are run-length limited, ensuring that there are enough transitions in the bit stream for the receiver to lock onto the data and recover the high-speed clock. 2) AC coupling is permitted because the code-groups are generated in a way that ensures the data stream is DC balanced (see Running Disparity).

A table of the 256 possible input octets with the resulting 10-bit code-groups is documented in IEEE Std 802.3-2002 part3 Table 36-1. The name associated with each of the 256 data code-groups is formatted Dx.y, with x ranging from 0 to 31 and y ranging from 0 to 7. Table 36-2 of

22732fa

## DEFINITIONS

the standard defines an additional set of 12 special code-groups for non-data characters such as commas. Special code-group names begin with K instead of D. A complete 8B/10B description is found in Clause 36.2 of IEEE Std 802.3-2002 part3.

### Current Mode Logic (CML)

A technique used to implement differential high-speed logic. CML employs differential pairs (usually n-type) to steer current into resistive loads. It is possible to implement any logic function using CML. The output swing and offset is dependant on the bias current, the load resistance, and termination resistance.

This product family uses CML drivers to transmit high-speed serial data to the outside world. The output driver bias current is typically 16mA, generating a signal swing potential of 400mV<sub>P-P</sub> (800mV<sub>P-P</sub> diff.) across the combined internal and external termination resistance of 25Ω on each output.

### Code-Group

The 10-bit output from an 8B/10B encoder or the 10-bit input to the 8B/10B decoder.

### Comma

A special 8B/10B code-group containing the binary sequence “0011111” or “1100000”. Commas are used for frame alignment and synchronization because a comma sequence cannot be generated by any combination of normal code-groups (unless a bit error occurs). There are three special code-groups that contain a comma, K28.1, K28.5, and K28.7.

For brevity, each of these three special code-groups are often called a comma, but in the strictest sense it is the first 7 bits of these code-groups that are designated a comma.

### DC Balanced Signal

A specially conditioned signal that may be AC coupled with minimal degradation to the signal. DC balance is achieved

when the average number of 1's and 0's are equal, eliminating the undesirable effects of DC wander on the receive side of the coupling capacitor. When 8B/10B coding is used, DC balance is achieved by following disparity rules (see Running Disparity).

### De-Scrambler

A logic block that restores scrambled data to its pre-scrambled state. A self aligning de-scrambler is based on the same pseudo random bit sequence as the scrambler, so it requires no alignment signals. In this product family the scrambler is based on the  $1 + x^{14} + x^{15}$  polynomial, and the self aligning process results in an initial loss of one ADC sample.

### Frame

A group of octets or code-groups that make up one complete word. For this product family, a frame consists of two complete octets or code-groups, and constitutes one ADC sample.

### Frame Alignment Monitoring (FAM)

After initial frame synchronization has been established, frame alignment monitoring enables the receiver to verify that code-group alignment is maintained without the loss of data. This is done by substituting a K28.7 comma for the last code-group of the frame when certain conditions are met. The receiver uses this comma as a position marker within the frame for alignment verification. After decoding the data, the receiver replaces the K28.7 comma with the original data.

### Idle Frame Synchronization Mode (ISMODE)

A special synchronization mode where idle ordered sets are used to establish initial frame synchronization instead of K28.5 commas.

An Idle Ordered Set is defined in the IEEE Std 802.3-2002 part3, Clause 36.2.4.12. In general, it is a K28.5 comma followed by either a D5.6 or a D16.2. If the running disparity after the transmission of the K28.5 comma is positive,

## DEFINITIONS

a D16.2 will be transmitted after the comma, otherwise a D5.6 will be transmitted. The result is that the ending disparity of an idle ordered set will always be negative.

### Initial Frame Synchronization

The process of communicating frame synchronization information to the receiver upon the request of the receiver. For JESD204 compliance, K28.5 commas are transmitted as the preamble. Once the preamble has been detected the receiver terminates the synchronization request, and the preamble transmission continues until the end of the frame. The receiver designates the first normal data word after the preamble to be the start of the data frame.

### Octet

The 8-bit input to an 8B/10B encoder, or the 8-bit output from an 8B/10B decoder.

### Run-Length Limited (RLL)

The result of limiting the number of consecutive 1's or 0's in a data stream by encoding the data prior to serial transmission.

This process guarantees that there will be an adequate number of transitions in the serial data for the receiver to lock onto with a phase-locked loop and recover the high-speed clock.

### Running Disparity

In order to maintain DC balance there are two possible 8B/10B output code-groups for each input octet. The

running disparity is calculated to determine which of the two code-groups should be transmitted to maintain DC balance.

The disparity of a code-group is analyzed in two segments called sub-blocks. Sub-block1 consists of the first six bits of a code-group and sub-block2 consists of the last four bits of a code-group. When a sub-block is more heavily weighted with 1's the running disparity is positive, and when it is more heavily weighted with 0's the running disparity is negative. When the number of 1's and 0's are equal in a sub-block, the running disparity remains unchanged.

The polarity of the current running disparity determines which code-group should be transmitted to maintain DC balance. For a complete description of disparity rules, refer to IEEE Std 802.3-2002 part3, Clause 36.2.4.4.

### Pseudo Random Bit Sequence (PRBS)

A data sequence having a random nature over a finite interval. The most commonly used PRBS test patterns may be described by a polynomial in the form of  $1 + x^m + x^n$  and have a random nature for the length of up to  $2^n - 1$  bits, where n indicates the order of the PRBS polynomial and m plays a role in maximizing the length of the random sequence.

### Scrambler

A logic block that applies a pseudo random bit sequence to the input octets to minimize the tonal content of the high-speed serial bit stream.

## APPLICATIONS INFORMATION

### CONVERTER OPERATION

The core of the LTC2273/LTC2272 are CMOS pipelined multi-step converters with a front-end PGA. As shown in Figure 1, the converter has five pipelined ADC stages. A sampled analog input will result in a digitized value nine clock cycles later (see the Timing Diagram section). The analog input ( $A_{IN}^+$ ,  $A_{IN}^-$ ) is differential for improved common mode noise immunity and to maximize the input range. Additionally, the differential input drive will reduce even order harmonics of the sample and hold circuit. The encode clock input ( $ENC^+$ ,  $ENC^-$ ) is also differential for improved common mode noise immunity.

Each pipelined stage shown in Figure 1 contains an ADC, a reconstruction DAC, and an error residue amplifier. The function of each stage is to produce a digital representation of its input voltage along with the resulting analog error residue. The ADC of each stage provides the quantization, and the residue is produced by taking the difference between the input voltage and the output of the reconstruction DAC. The residue is amplified by the residue amplifier and passed on to the next stage. The successive stages of the pipeline operate on alternating phases of the clock so that when odd stages are outputting their residue, the even stages are acquiring that residue and vice versa.

The pipelined ADC of the LTC2273/LTC2272 has two phases of operation determined by the state of the differential  $ENC^+/ENC^-$  input pins. For brevity, the text will refer to  $ENC^+$  greater than  $ENC^-$  as ENC high and  $ENC^+$  less than  $ENC^-$  as ENC low.

When ENC is low, the analog input is sampled differentially onto the input sample-and-hold capacitors, inside the “S/H & PGA” block of Figure 1. On the rising edge of ENC, the voltage on the sample capacitors is held. While ENC is high, the held input voltage is buffered by the S/H amplifier which drives the first pipelined ADC stage. The first stage acquires the output of the S/H amplifier during the high phase of ENC. On the falling edge of ENC, the first stage produces its residue which is acquired by the second stage. The process continues to the end of the pipeline.

Each ADC stage following the first has additional error correction range to accommodate flash and amplifier offset errors. Results from all of the ADC stages are digitally delayed such that the results can be properly combined in the correction logic before being encoded, serialized, and sent to the output buffer.

## APPLICATIONS INFORMATION

### SAMPLE/HOLD OPERATION AND INPUT DRIVE

#### Sample/Hold Operation

Figure 2 shows an equivalent circuit for the LTC2273/LTC2272 CMOS differential sample and hold. The differential analog inputs are sampled directly onto sampling capacitors ( $C_{\text{SAMPLE}}$ ) through NMOS transistors. The capacitors shown attached to each input ( $C_{\text{PARASITIC}}$ ) are the summation of all other capacitance associated with each input.

During the sample phase when ENC is low, the NMOS transistors connect the analog inputs to the sampling capacitors and they charge to, and track, the differential input voltage. On the rising edge of ENC, the sampled input voltage is held on the sampling capacitors. During the hold phase when ENC is high, the sampling capacitors are disconnected from the input and the held voltage is passed to the ADC core for processing. As ENC transitions for high to low, the inputs are reconnected to the sampling capacitors to acquire a new sample. Since the sampling capacitors still hold the previous sample, a charging glitch proportional to the change in voltage between samples will be seen at this time. If the change between the last sample and the new sample is small, the charging glitch seen at the input will be small. If the input change is large, such as the change seen with input frequencies near Nyquist, then a larger charging glitch will be seen.

#### Common Mode Bias

The ADC sample-and-hold circuit requires differential drive to achieve specified performance. Each input should swing  $\pm 0.5625\text{V}$  for the 2.25V range ( $\text{PGA} = 0$ ) or  $\pm 0.375\text{V}$  for the 1.5V range ( $\text{PGA} = 1$ ), around a common mode voltage of 1.25V. The  $V_{\text{CM}}$  output pin (Pin 39) is designed to provide the common mode bias level.  $V_{\text{CM}}$  can be tied directly to the center tap of a transformer to set the DC input level or as a reference level to an op amp differential driver circuit. The  $V_{\text{CM}}$  pin must be bypassed to ground close to the ADC with  $2.2\mu\text{F}$  or greater.

#### Input Drive Impedance

As with all high performance, high speed ADCs the dynamic performance of the LTC2273/LTC2272 can be influenced by the input drive circuitry, particularly the second and third harmonics. Source impedance and input reactance can influence SFDR. At the falling edge of ENC the sample-and-hold circuit will connect the 4.9pF sampling capacitor to the input pin and start the sampling period. The sampling period ends when ENC rises, holding the sampled input on the sampling capacitor. Ideally, the input circuitry should be fast enough to fully charge the sampling capacitor during the sampling period  $1/(2F_{\text{ENCODE}})$ ; however, this is not always possible and the incomplete settling may degrade the SFDR. The sampling glitch has been designed to be as linear as possible to minimize the effects of incomplete settling.

For the best performance it is recommended to have a source impedance of  $100\Omega$  or less for each input. The source impedance should be matched for the differential inputs. Poor matching will result in higher even order harmonics, especially the second.

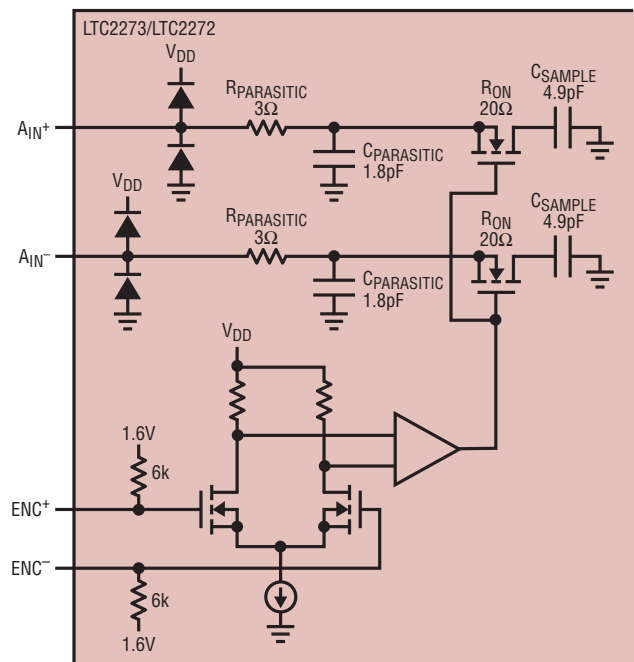


Figure 2. Equivalent Input Circuit

22732 F02



## APPLICATIONS INFORMATION

### INPUT DRIVE CIRCUITS

#### Input Filtering

A first order RC lowpass filter at the input of the ADC can serve two functions: limit the noise from input circuitry and provide isolation from ADC S/H switching. The LTC2273/LTC2272 have very broadband S/H circuits, DC to 700MHz; it can be used in a wide range of applications; therefore, it is not possible to provide a single recommended RC filter.

Figures 3, 4a and 4b show three examples of input RC filtering at three ranges of input frequencies. In general, it is desirable to make the capacitors as large as can be tolerated—this will help suppress random noise as well as noise coupled from the digital circuitry. The LTC2273/LTC2272 do not require any input filter to achieve data sheet specifications; however, no filtering will put more stringent noise requirements on the input drive circuitry.

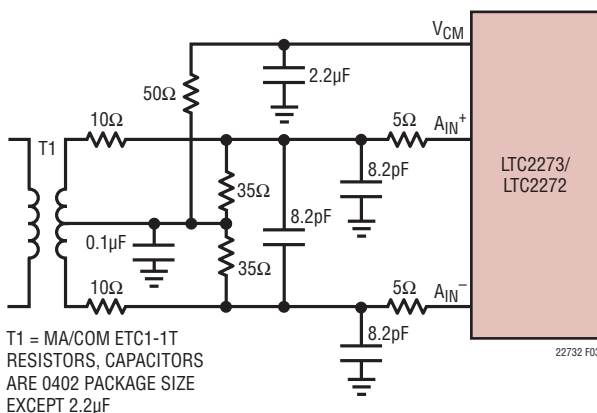
#### Transformer Coupled Circuits

Figure 3 shows the LTC2273/LTC2272 being driven by an RF transformer with a center-tapped secondary. The secondary center tap is DC biased with  $V_{CM}$ , setting the ADC input signal at its optimum DC level. Figure 3 shows a 1:1 turns ratio transformer. Other turns ratios can be used; however, as the turns ratio increases so does the impedance seen by the ADC. Source impedance greater than  $50\Omega$  can reduce the input bandwidth and increase

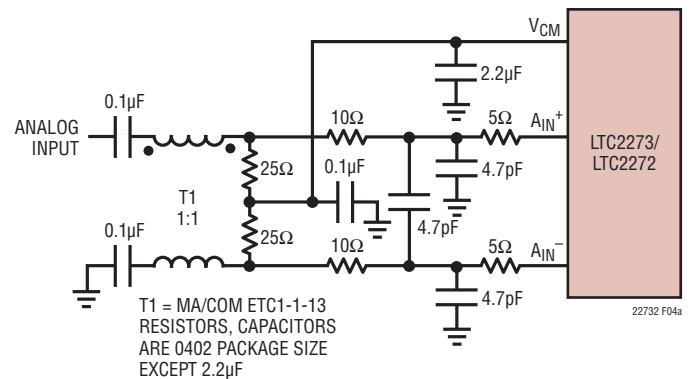
high frequency distortion. A disadvantage of using a transformer is the loss of low frequency response. Most small RF transformers have poor performance at frequencies below 1MHz.

Center-tapped transformers provide a convenient means of DC biasing the secondary; however, they often show poor balance at high input frequencies, resulting in large 2nd order harmonics.

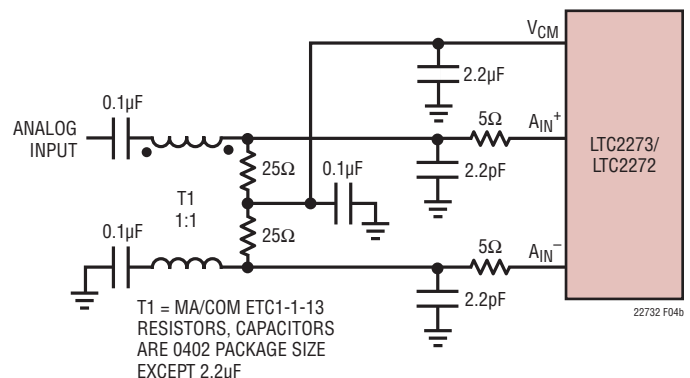
Figure 4a shows transformer coupling using a transmission line balun transformer. This type of transformer has much better high frequency response and balance than flux coupled center tap transformers. Coupling capacitors are added at the ground and input primary terminals to allow the secondary terminals to be biased at 1.25V. Figure 4b shows the same circuit with components suitable for higher input frequencies.



**Figure 3. Single-Ended to Differential Conversion Using a Transformer. Recommended for Input Frequencies from 5MHz to 150MHz**



**Figure 4a. Using a Transmission Line Balun Transformer. Recommended for Input Frequencies from 100MHz to 250MHz**



**Figure 4b. Using a Transmission Line Balun Transformer. Recommended for Input Frequencies from 250MHz to 500MHz**

## APPLICATIONS INFORMATION

### Direct Coupled Circuits

Figure 5 demonstrates the use of a differential amplifier to convert a single ended input signal into a differential input signal. The advantage of this method is that it provides low frequency input response; however, the limited gain bandwidth of any op amp or closed-loop amplifier will degrade the ADC SFDR at high input frequencies. Additionally, wideband op amps or differential amplifiers tend to have high noise. As a result, the SNR will be degraded unless the noise bandwidth is limited prior to the ADC input.

### Reference Operation

Figure 6 shows the LTC2273/LTC2272 reference circuitry consisting of a 2.5V bandgap reference, a programmable gain amplifier and control circuit. The LTC2273/LTC2272 have three modes of reference operation: Internal Reference, 1.25V external reference or 2.5V external reference. To use the internal reference, tie the SENSE pin to  $V_{DD}$ . To use an external reference, simply apply either a 1.25V or 2.5V reference voltage to the SENSE input pin. Both 1.25V and 2.5V applied to SENSE will result in a full scale range of  $2.25V_{P-P}$  (PGA = 0). A 1.25V output  $V_{CM}$  is provided for a common mode bias for input drive circuitry. An external bypass capacitor is required for the  $V_{CM}$  output. This provides a high frequency low impedance path to ground for internal and external circuitry. This is also the

compensation capacitor for the reference; it will not be stable without this capacitor. The minimum value required for stability is  $2.2\mu F$ .

The internal programmable gain amplifier provides the internal reference voltage for the ADC. This amplifier has very stringent settling requirements and is not accessible for external use.

The SENSE pin can be driven  $\pm 5\%$  around the nominal 2.5V or 1.25V external reference inputs. This adjustment range can be used to trim the ADC gain error or other system gain errors. When selecting the internal reference, the SENSE pin should be tied to  $V_{DD}$  as close to the converter as possible. If the sense pin is driven externally it should be bypassed to ground as close to the device as possible with  $1\mu F$  (or larger) ceramic capacitor.

### PGA Pin

The PGA pin selects between two gain settings for the ADC front-end. PGA = 0 selects an input range of  $2.25V_{P-P}$ ; PGA = 1 selects an input range of  $1.5V_{P-P}$ . The  $2.25V$  input range has the best SNR; however, the distortion will be higher for input frequencies above 100MHz. For applications with high input frequencies, the low input range will have improved distortion; however, the SNR will be 2.4dB worse. See the Typical Performance Characteristics section of this datasheet.

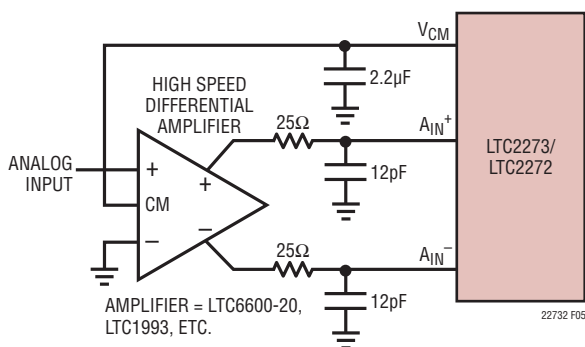


Figure 5. DC Coupled Input with Differential Amplifier

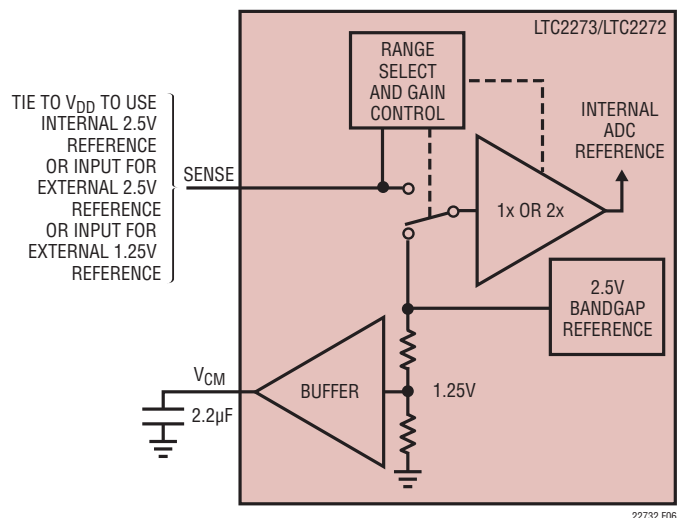


Figure 6. Reference Circuit

APPLICATIONS INFORMATION

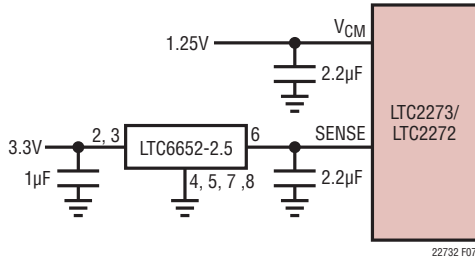


Figure 7. A 2.25V Range ADC with an External 2.5V Reference

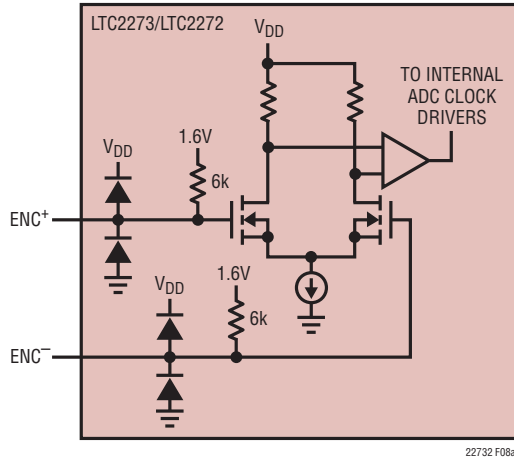
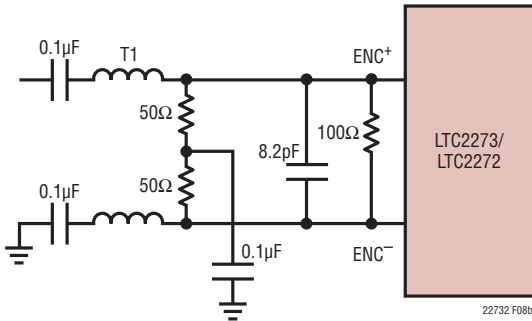


Figure 8a. Equivalent Encode Input Circuit



T1 = MA/COM ETC1-1-13  
RESISTORS AND CAPACITORS  
ARE 0402 PACKAGE SIZE

Figure 8b. Transformer Driven Encode

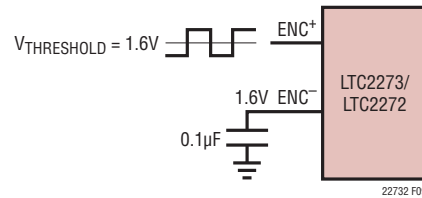


Figure 9. Single-Ended ENC Drive, Not Recommended for Low Jitter

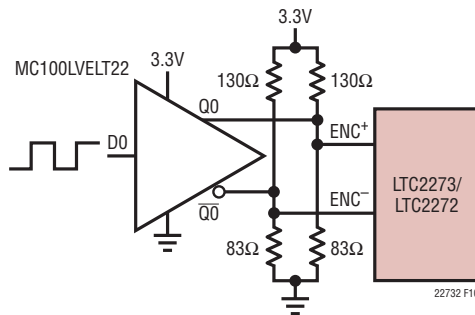


Figure 10. ENC Drive Using a CMOS to PECL Translator

## APPLICATIONS INFORMATION

### Driving the Encode Inputs

The noise performance of the LTC2273/LTC2272 can depend on the encode signal quality as much as for the analog input. The encode inputs are intended to be driven differentially, primarily for noise immunity from common mode noise sources. Each input is biased through a 6k resistor to a 1.6V bias. The bias resistors set the DC operating point for transformer coupled drive circuits and can set the logic threshold for single-ended drive circuits.

Any noise present on the encode signal will result in additional aperture jitter that will be RMS summed with the inherent ADC aperture jitter.

In applications where jitter is critical (high input frequencies), take the following into consideration:

1. Differential drive should be used.
2. Use as large an amplitude possible. If using transformer coupling, use a higher turns ratio to increase the amplitude.
3. If the ADC is clocked with a fixed frequency sinusoidal signal, filter the encode signal to reduce wideband noise.
4. Balance the capacitance and series resistance at both encode inputs such that any coupled noise will appear at both inputs as common mode noise.

The encode inputs have a common mode range of 1.4V to 3V. Each input may be driven from ground to  $V_{DD}$  for single-ended drive.

### Maximum and Minimum Conversion Rates

The maximum conversion rate for the LTC2273 is 80Msps. The maximum conversion rate for the LTC2272 is 65Msps.

The lower limit of the LTC2273/LTC2272 sample rate is determined by the PLL minimum operating frequency of 20Msps.

For the ADC to operate properly, the internal CLK signal should have a 50% duty cycle. A duty cycle stabilizer circuit has been implemented on chip to facilitate non-50% ENC duty cycles.

### Data Format

The MSBINV pin selects the ADC data format. A low level selects offset binary format (code 0 corresponds to  $-FS$ , and code 65535 corresponds to  $+FS$ ). A high level on MSBINV selects 2's complement format (code  $-32768$  corresponds to  $-FS$  and code 32767 corresponds to  $+FS$ ).

### Shutdown Modes

The assertion of both SHDN pins will shut down the ADC and the serial interface and place the chip in a low-current mode.

### Internal Dither

The LTC2273/LTC2272 are 16-bit ADC with a very linear transfer function; however, at low input levels even slight imperfections in the transfer function will result in unwanted tones. Small errors in the transfer function are usually a result of ADC element mismatches. An optional internal dither mode can be enabled to randomize the input location on the ADC transfer curve, resulting in improved SFDR for low signal levels.

As shown in Figure 11, the output of the sample-and-hold amplifier is summed with the output of a dither DAC. The dither DAC is driven by a long sequence pseudo-random number generator; the random number fed to the dither DAC is also subtracted digitally from the ADC result. If the dither DAC is precisely calibrated to the ADC, very little of the dither signal will be seen at the output. The dither signal that does leak through will appear as white noise. The dither DAC is calibrated to result in less than 0.5dB elevation in the noise floor of the ADC, as compared to the noise floor with dither off.

## APPLICATIONS INFORMATION

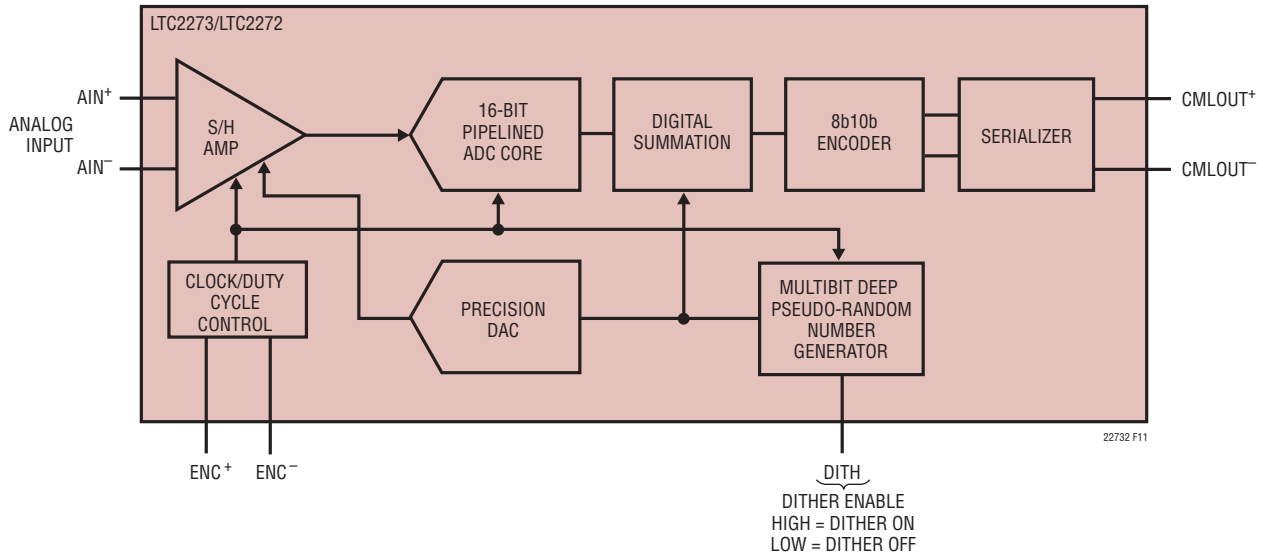


Figure 11. Functional Equivalent Block Diagram of Internal Dither Circuit

### SERIALIZED DATA FRAME

Prior to serialization, the ADC data is encoded into the 8B/10B format, which is DC balanced, and run-length limited. The receiver is required to lock onto the data and recover the clock with the use of a PLL. The 8B/10B format requires that the ADC data be broken up into 8-bit blocks (octets), which is encoded into 10-bit code groups applying the 8B/10B rules (refer to IEEE Std 802.3-2002 Part 3, for a complete 8B/10B description).

Figure 12 illustrates the generation of one complete 8B/10B frame. The 8 most significant bits of the ADC are assigned to the first half of the frame, and the remaining 8 bits to the second half of the frame. Next, the two resulting octets are optionally scrambled and encoded into their corresponding 8B/10B code. Finally, the two 10-bit code groups are serialized and transmitted beginning with Bit 0 of code group 1.

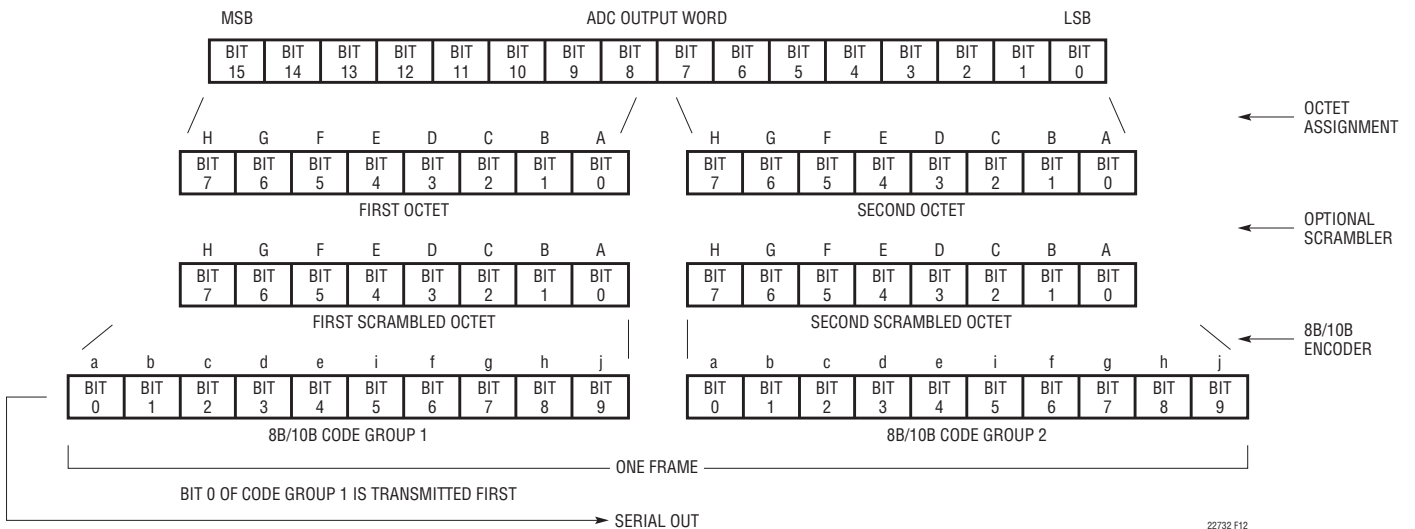


Figure 12. Evolution of One Transmitted Frame (Compare to IEEE Std 802.3-2002 Part 3, Figure 36-3)

## APPLICATIONS INFORMATION

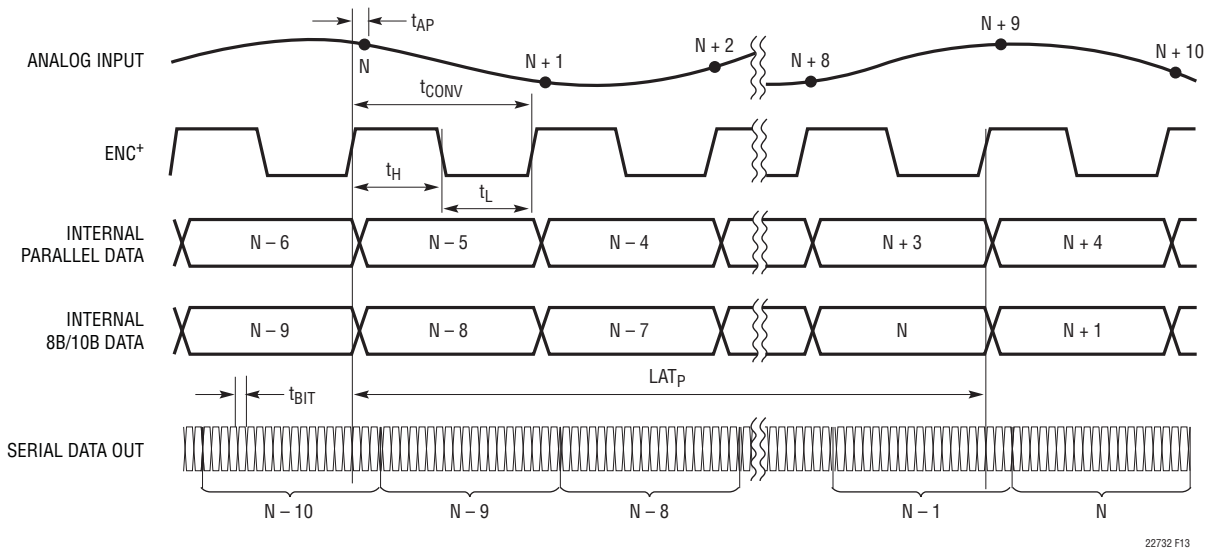


Figure 13. Timing Relationship of Analog Sample to Serial Data Out

## Initial Frame Synchronization

In the absence of a frame clock, it is necessary to determine the start of each frame through a synchronization process. To establish frame synchronization, Figures 14 and 15 illustrate the following sequence:

- The receiver issues a synchronization request via the synchronization interface.
- If the synchronization request is active for more than one ENC clock cycle, the LTC2273/LTC2272 will transmit a synchronization preamble. When the ISMODE pin is low the transmitted preamble will consist of consecutive K28.5 comma symbols in conformance with the JESD204 specification. When the ISMODE pin is high, a series of idle ordered sets will be transmitted. The idle ordered sets consist of a K28.5 comma followed by either D5.6 or D16.2 as defined in IEEE Std 802.3-2002 part3, Clause 36.2.4.12.
- The receiver searches for the expected preamble and waits for the correct reception of an adequate number of preamble characters.
- The receiver deactivates the synchronization request.
- Upon detecting the deactivation of the synchronization request, the LTC2273/LTC2272 continue to transmit the synchronization preamble until the end of the frame.
- At the start of the next frame, the LTC2273/LTC2272 will begin transmitting data characters.
- The receiver designates the first data character received after the preamble transmission to be the start of the frame. The first octet of the frame contains the most significant byte of the ADC's output word.

# APPLICATIONS INFORMATION

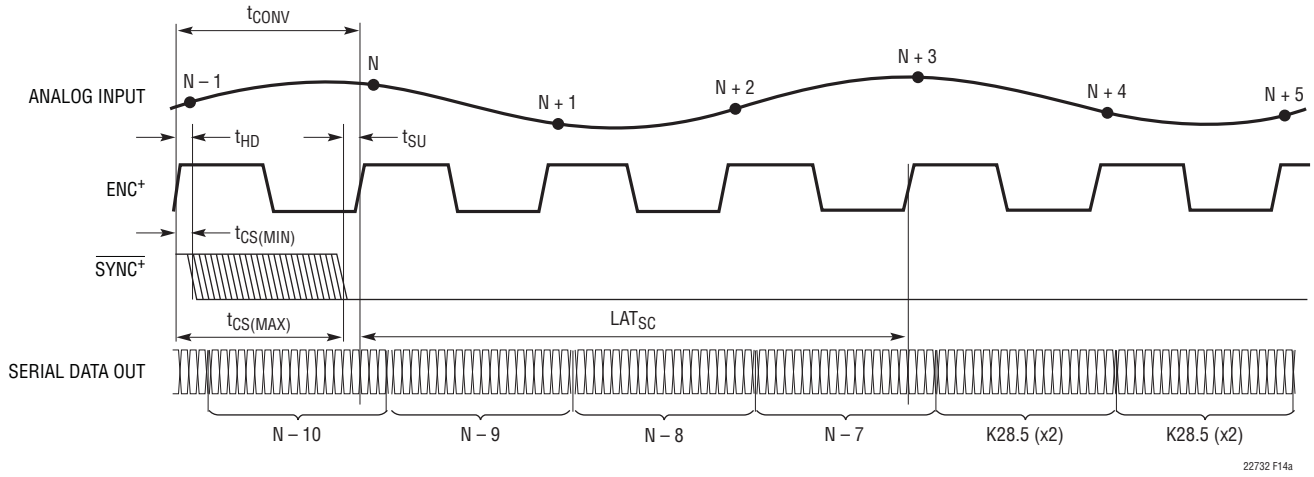


Figure 14a.  $\overline{\text{SYNC}}^+$  Low Transition to Comma Output Timing (ISMODE is Low)

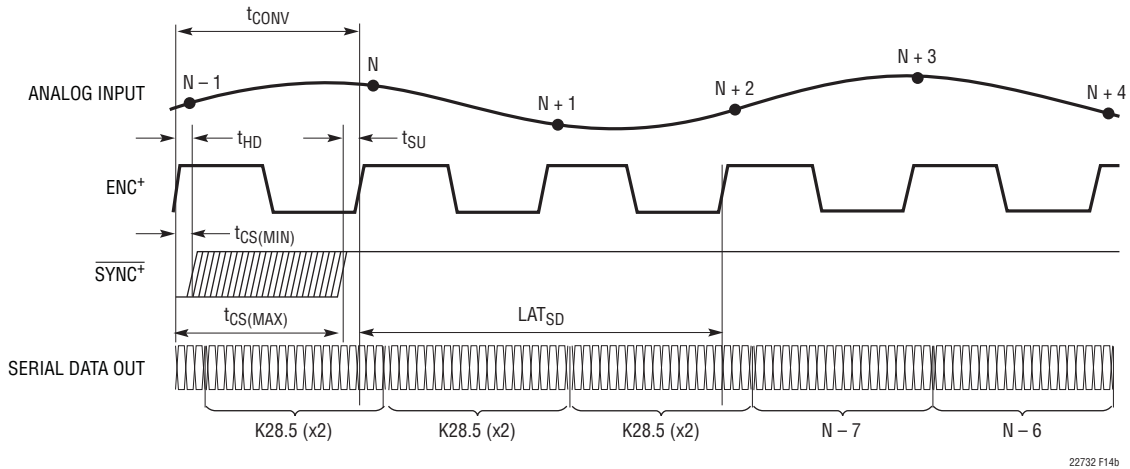
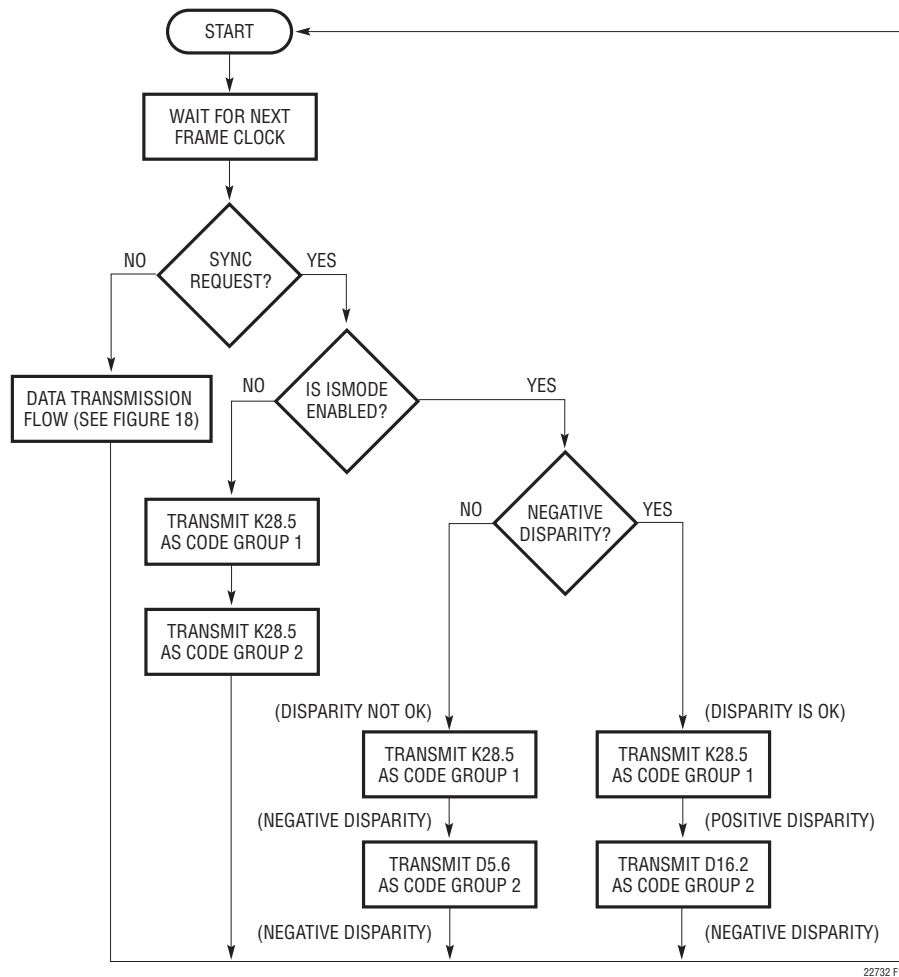


Figure 14b.  $\overline{\text{SYNC}}^+$  High Transition to Data Output Timing (ISMODE is Low)



## APPLICATIONS INFORMATION



22732 F15

Figure 15. Initial Synchronization Flow Diagram

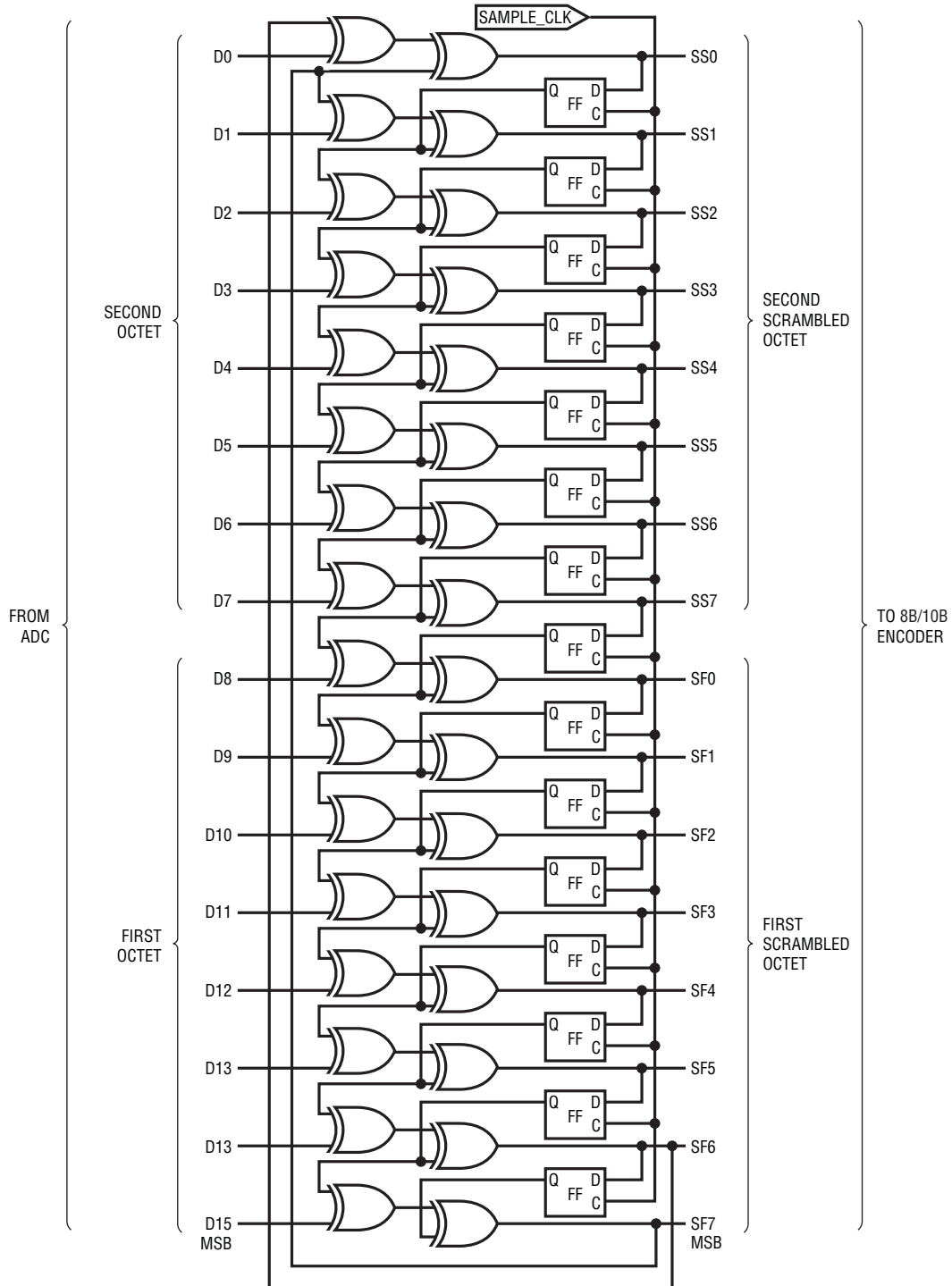
## Scrambling

To avoid spectral interference from the serial data output, an optional data scrambler is added between the ADC data and the 8B/10B encoder to randomize the spectrum of the serial link. The scrambler is enabled by setting the SCRAM pin to a high logic level. The polynomial used for the scrambler is  $1 + x^{14} + x^{15}$ , which is a pseudo-random pattern repeating itself every  $2^{15}-1$ . Figure 16 illustrates the LTC2273/LTC2272 implementation of this polynomial in parallel form.

The scrambled data is converted into two valid 8B/10B code groups, constituting a complete frame. The 8B/10B code groups are then serialized and transmitted.

The receiver is required to deserialize the data, decode the code-groups into octets and descramble them back to the original octets using the self-aligning descrambler shown in Figure 17. This descrambler is shown in 16-bit parallel form, which is an efficient implementation of the  $(1 + x^{14} + x^{15})$  polynomial, operating at the frame clock rate (ADC sample rate).

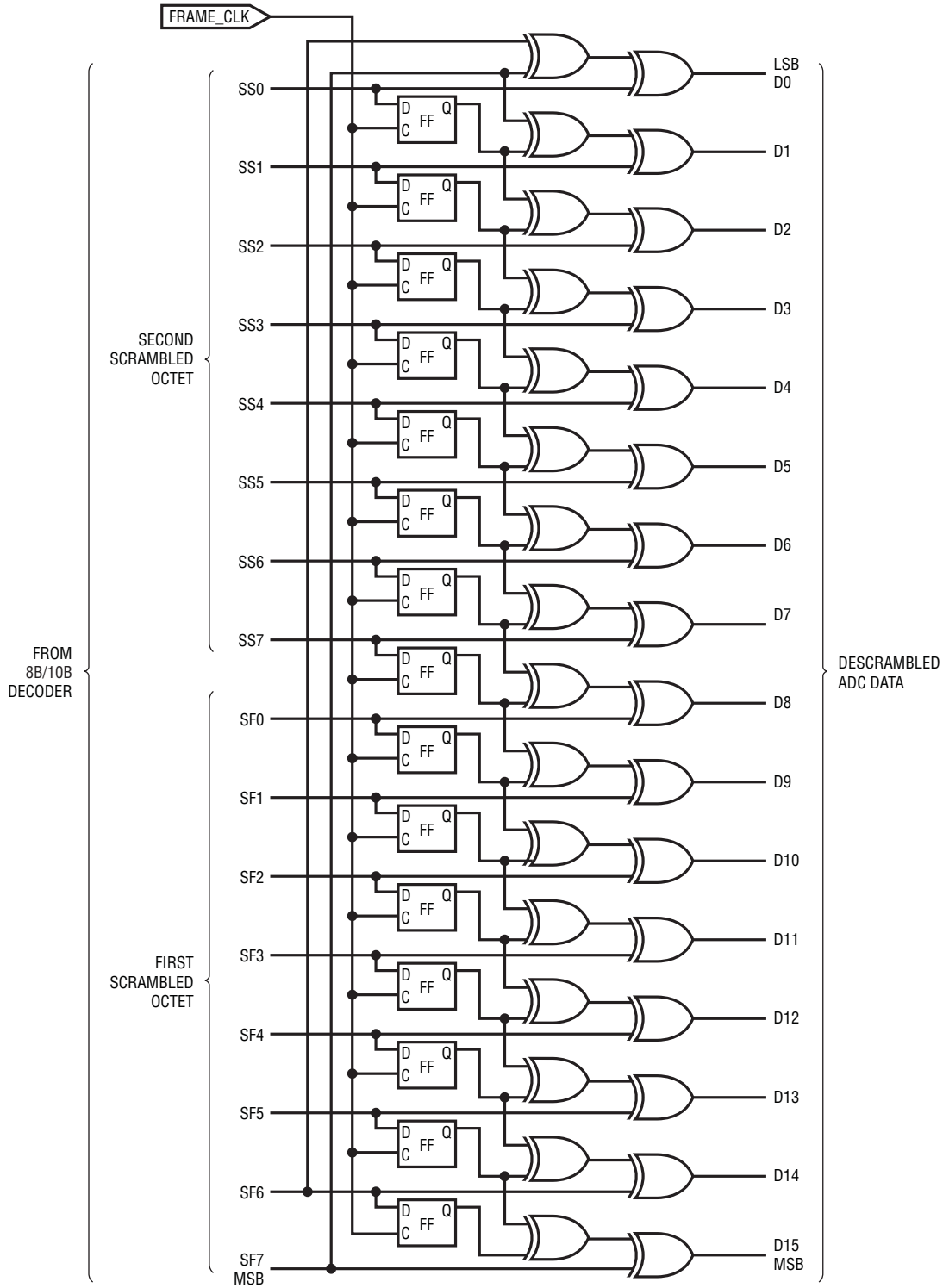
APPLICATIONS INFORMATION



22732 F16

Figure 16. LTC2273/LTC2272 16-Bit  $1 + x^{14} + x^{15}$  Parallel Scrambler

APPLICATIONS INFORMATION



22732 F17

Figure 17. Required 16-Bit  $1 + x^{14} + x^{15}$  Parallel Descrambler

## APPLICATIONS INFORMATION

### Frame Alignment Monitoring

After the initial synchronization has been established, it may be desirable to periodically verify that frame alignment is being maintained. The receiver may issue a synchronization request at any time, but data will be lost during the resynchronization interval.

To verify frame alignment without the loss of data, frame alignment monitoring is enabled by setting the FAM pin to a high level. In this mode, predetermined data in the second code group of the frame is substituted with the control character K28.7. The receiver is required to detect the K28.7 character and replace it with the original data. In this way, the second code group may be discerned from the first, and the receiver is able to periodically verify the frame alignment without the loss of data (refer to Table 1 and the flow diagram of Figure 18). There are two frame alignment monitoring modes summarized in Table 1.

FAM mode 1 is implemented when FAM is high, and SCRAM is low:

- When the data in the second code group of the current frame equals the data in the second code group of the

previous frame, the LTC2273/LTC2272 will replace the second code group with the control character K28.7 before serialization. However, if a K28.7 symbol was already transmitted in the previous frame, the actual code group will be transmitted.

- Upon receiving a K28.7 symbol, the receiver is required to replace it with the data decoded at the same position of the previous frame.

FAM mode 2 is implemented when FAM is high and SCRAM is high:

- When the data in the second code group of the current frame equals D28.7, the LTC2273/LTC2272 will replace this data with K28.7 before serialization.
- Upon receiving a K28.7 symbol, the receiver is required to replace it with D28.7.

With FAM enabled the receiver is required to search for the presence of K28.7 symbols in the data stream. If two successive K28.7 symbols are detected at the same position other than the assumed end of frame, the receiver will realign its frame boundary to the new position.

**Table 1. Frame Alignment Monitoring Modes**

	SCRAM PIN	DDSYNC PIN	ACTION
FAM Mode 1	Low	High	The second code group is replaced with K28.7 if it is equal to the 2 <sup>nd</sup> Code Group of the previous frame
FAM Mode 2	High	High	The second code group is replaced with K28.7 if it is equal to D28.7
FAM OFF	X	Low	No K28.7 substitutions will take place

APPLICATIONS INFORMATION

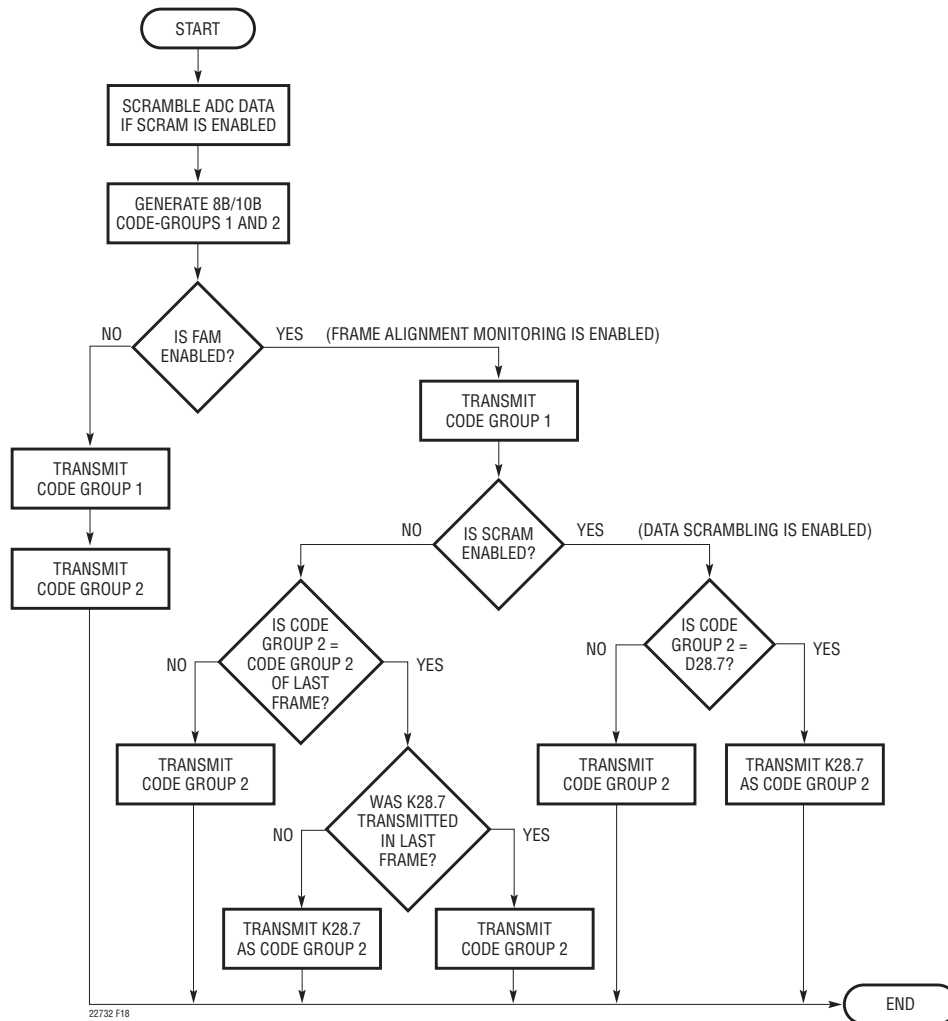


Figure 18. Data Transmission Flow Diagram

PLL Operation

The PLL has been designed to accommodate a wide range of sample rates. The SRR0 and SRR1 pins are used to configure the PLL for the intended sample rate range. Table 2 summarizes the sample clock ranges available to the user.

Table 2. Sample Rate Ranges

SRR1	SRR0	SAMPLE RATE RANGE
0	x	20Msps < FS ≤ 35Msps
1	0	30Msps < FS ≤ 65Msps
1	1	60Msps < FS ≤ 80Msps

Serial Test Patterns

To facilitate testing of the serial interface, three test patterns are selectable via pins PAT0 and PAT1. The available test patterns are described in Table 3. A K28.5 comma may be used as a fourth test pattern by requesting synchronization through the SYNC+/SYNC- pins.

Table 3. Test Patterns

PAT1	PAT0	TEST PATTERNS
0	0	ADC Data
0	1	1010101010 Pattern (8B/10B Code Group D21.5)
1	0	1 + x <sup>9</sup> + x <sup>11</sup> Pseudo Random Pattern
1	1	1 + x <sup>14</sup> + x <sup>15</sup> Pseudo Random Pattern

## APPLICATIONS INFORMATION

### High Speed CML Outputs

The CML outputs must be terminated for proper operation. The  $OV_{DD}$  supply voltage and the termination voltage determine the common mode output level of the CML outputs. For proper operation of the CML driver, the output common mode voltage should be greater than 1V.

The directly-coupled termination mode of Figure 19a is recommended when the receiver termination voltage is within the range of 1.2V to 3.3V. When the CML outputs are directly-coupled to the  $50\Omega$  termination resistors, the  $OV_{DD}$  supply voltage serves as the receiver termination voltage, and the output common mode voltage will be approximately 200mV lower than  $OV_{DD}$ .

The directly-coupled differential termination of Figure 19b may be used in the absence of a receiver termination voltage within the required range. In this case, the common mode voltage is shifted down to approximately 400mV below  $OV_{DD}$ , requiring an  $OV_{DD}$  in the range of 1.4V to 3.3V.

If the serial receiver's common mode input requirements are not compatible with the directly-coupled termination modes, the DC balanced 8B/10B encoded data will permit the addition of DC blocking capacitors as shown in Figure 19c. In this AC-coupled mode, the termination voltage is determined by the receiver's requirements. The coupling capacitors should be selected appropriately for the intended operating bit-rate, usually between 1nF to 10nF. In the AC-coupled mode, the output common mode voltage will be approximately 400mV below  $OV_{DD}$ , so the  $OV_{DD}$  supply voltage should be in the range of 1.4V to 3.3V.

### Grounding and Bypassing

The LTC2273/LTC2272 require a printed circuit board with a clean unbroken ground plane; a multilayer board with an internal ground plane is recommended. The pinout of the LTC2273/LTC2272 have been optimized for a flowthrough layout so that the interaction between inputs and digital outputs is minimized. Layout for the printed circuit board should ensure that digital and analog signal lines are separated as much as possible. In particular, care should be taken not to run any digital track alongside an analog signal track or underneath the ADC.

High quality ceramic bypass capacitors should be used at the  $V_{DD}$ ,  $V_{CM}$ , and  $OV_{DD}$  pins. Bypass capacitors must be located as close to the pins as possible. The traces connecting the pins and bypass capacitors must be kept short and should be made as wide as possible.

The LTC2273/LTC2272 differential inputs should run parallel and close to each other. The input traces should be as short as possible to minimize capacitance and to minimize noise pickup.

### Heat Transfer

Most of the heat generated by the LTC2273/LTC2272 are transferred from the die through the bottom-side exposed pad. For good electrical and thermal performance, the exposed pad must be soldered to a large grounded pad on the PC board. It is critical that the exposed pad and all ground pins are connected to a ground plane of sufficient area with as many vias as possible.

APPLICATIONS INFORMATION

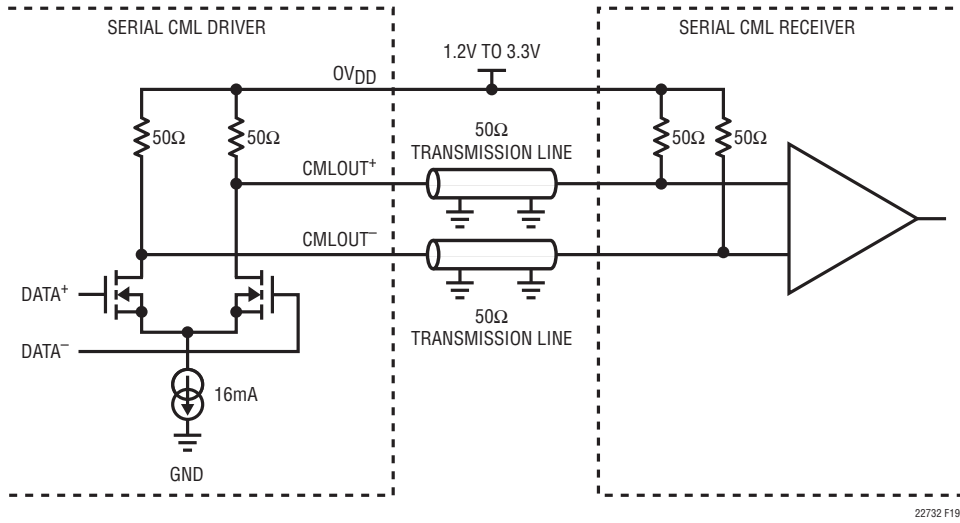


Figure 19a. CML Termination, Directly-Coupled Mode (Preferred)

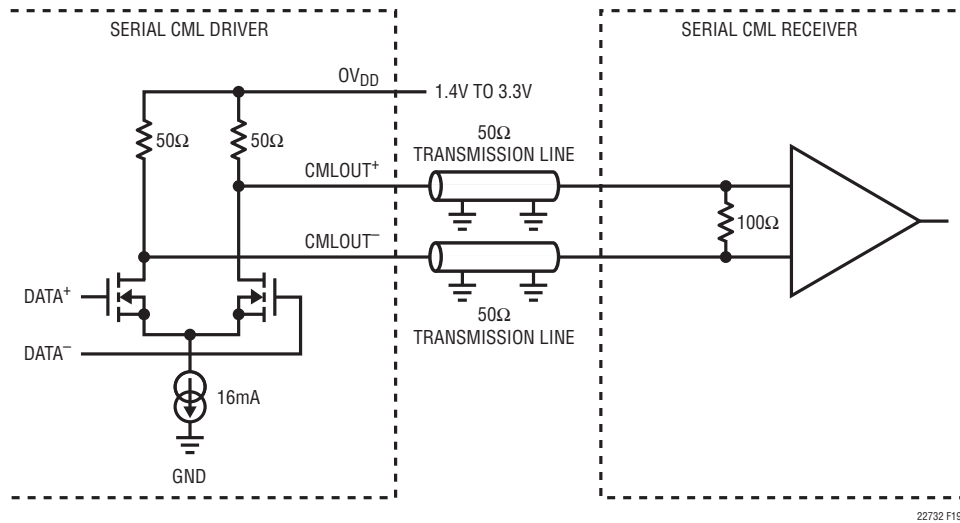


Figure 19b. CML Termination, Directly-Coupled Differential Mode



## APPLICATIONS INFORMATION

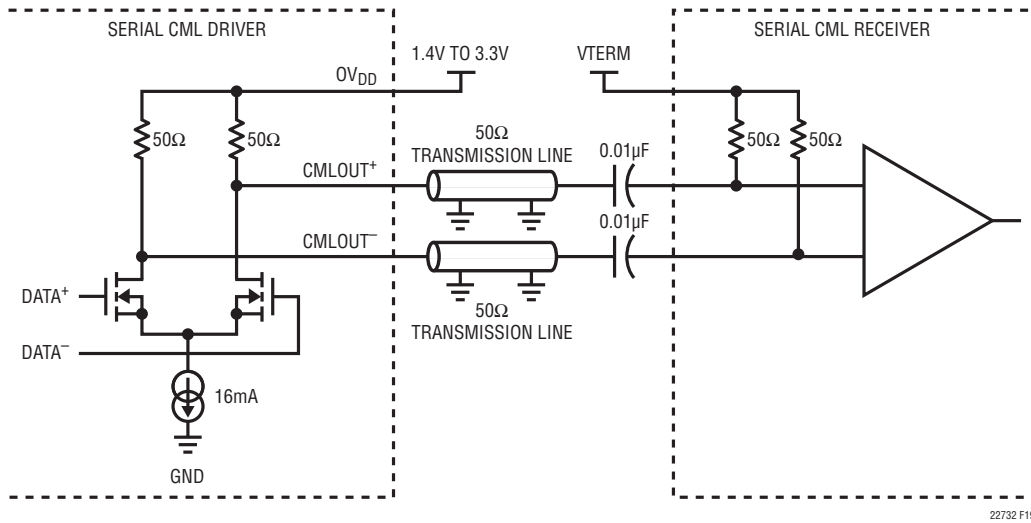
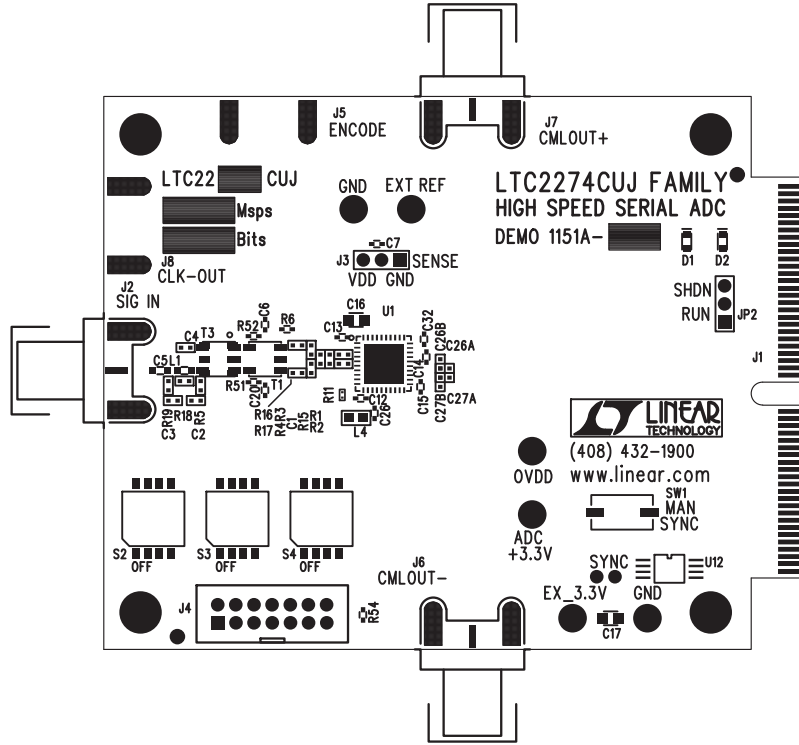


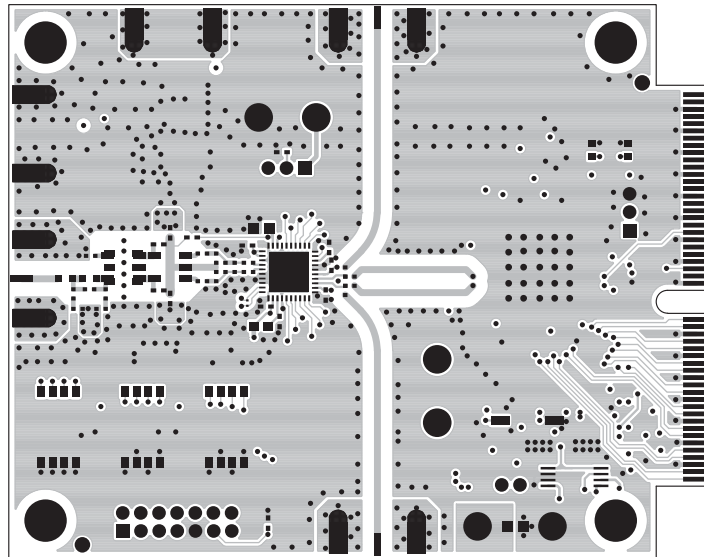
Figure 19c. CML Termination, AC-Coupled Mode

## TYPICAL APPLICATIONS

Silkscreen Top

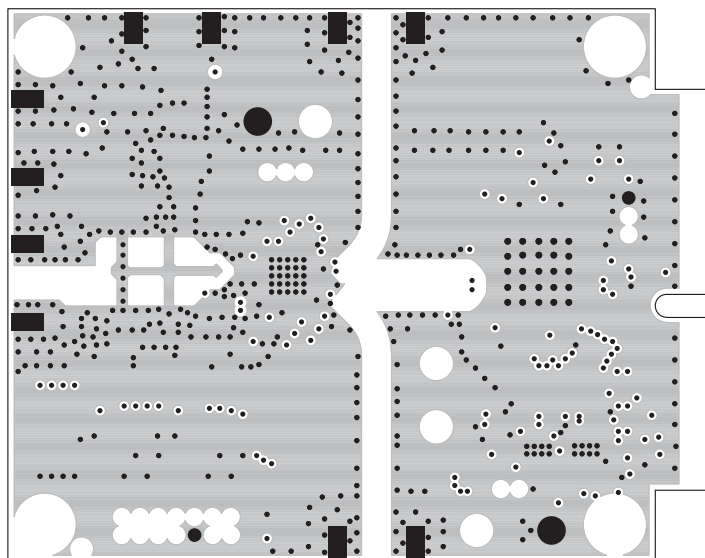


Top Side

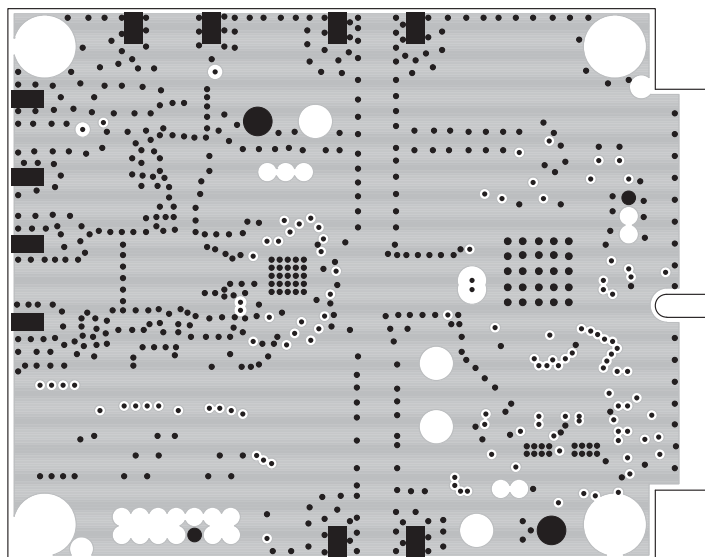


# TYPICAL APPLICATIONS

Inner Layer 2

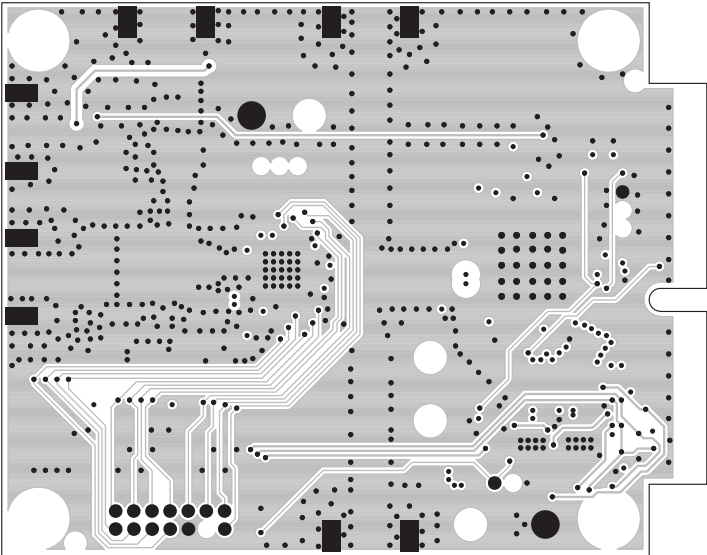


Inner Layer 3

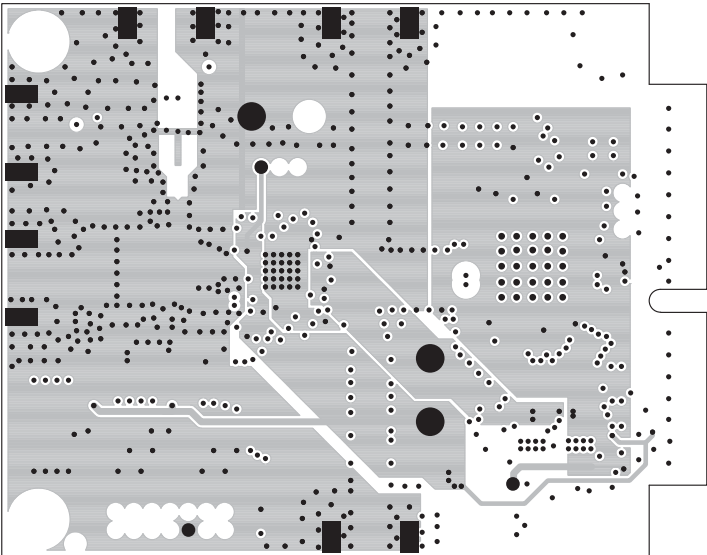


**TYPICAL APPLICATIONS**

Inner Layer 4

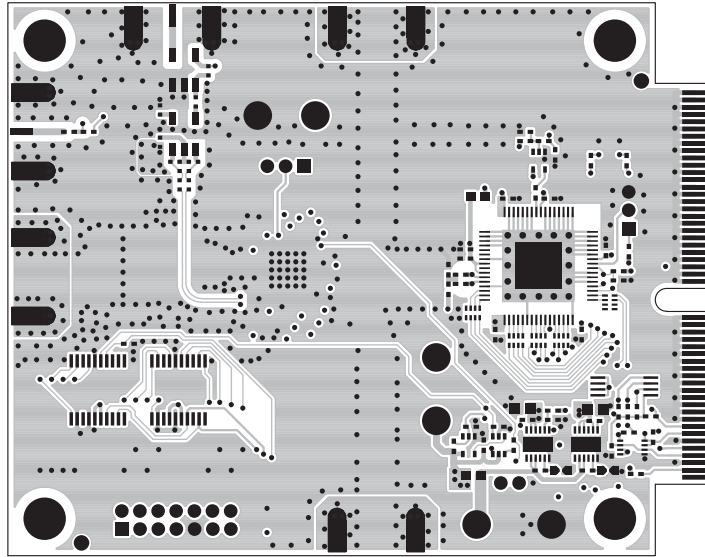


Inner Layer 5

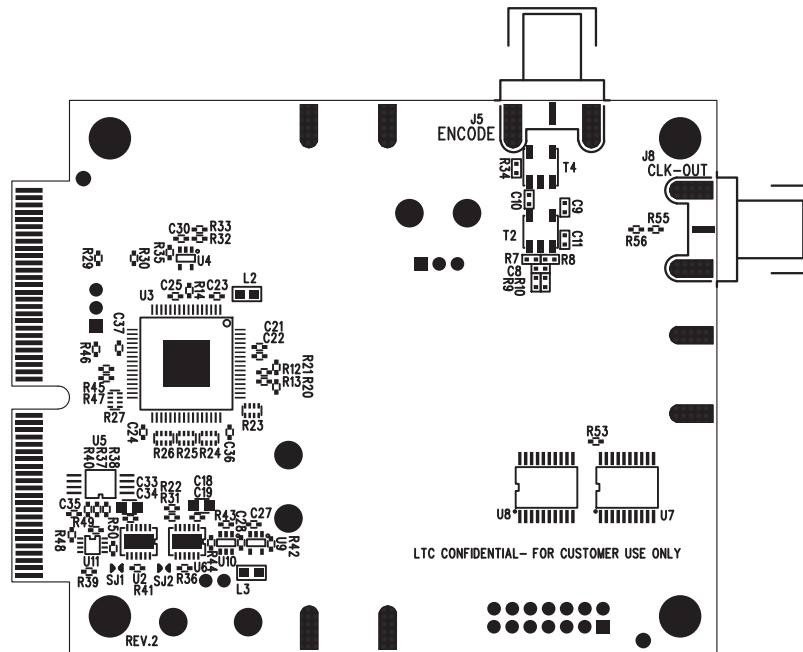


# TYPICAL APPLICATIONS

Bottom Side

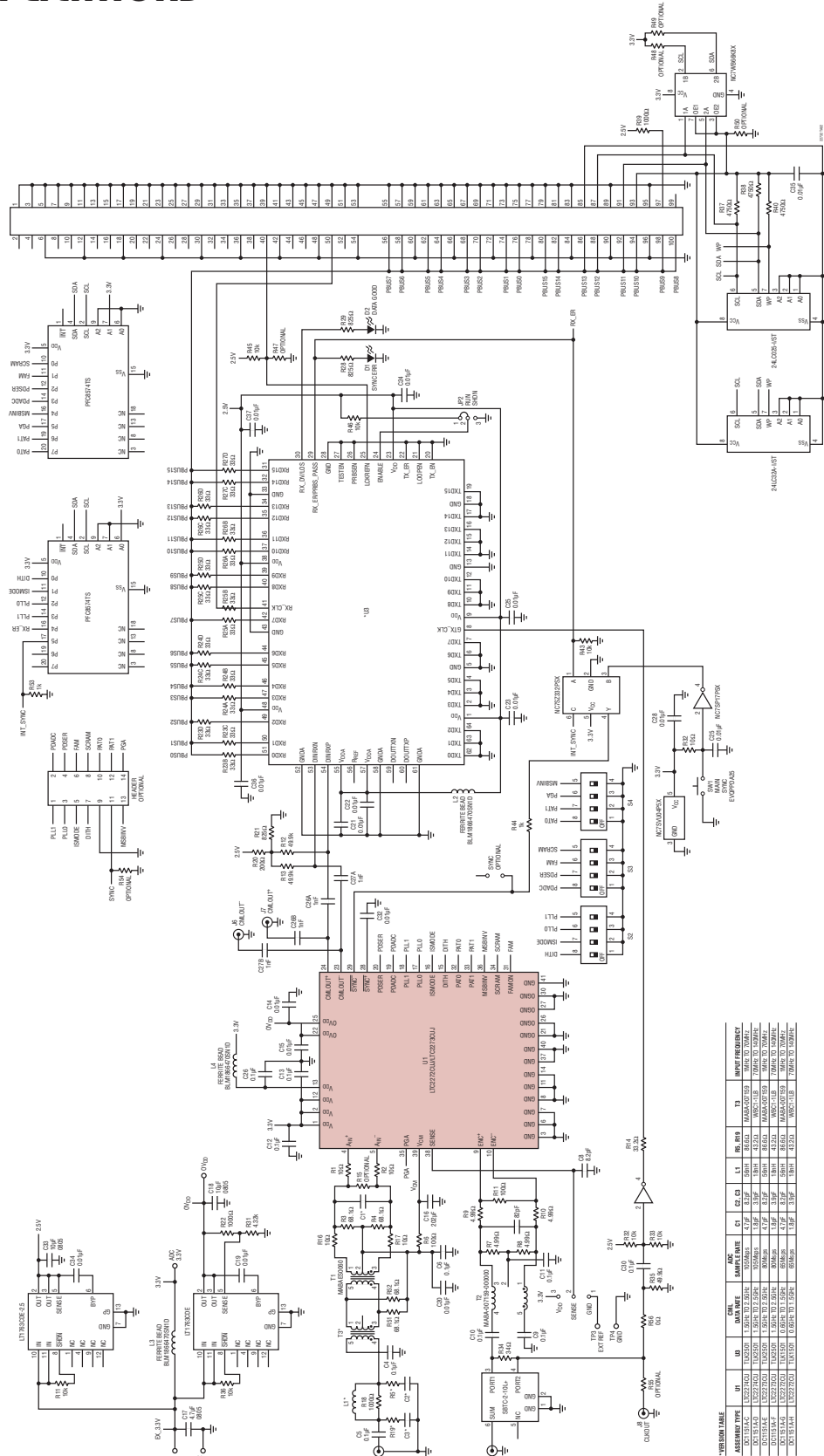


Silkscreen Bottom



# LTC2273/LTC2272

## TYPICAL APPLICATIONS

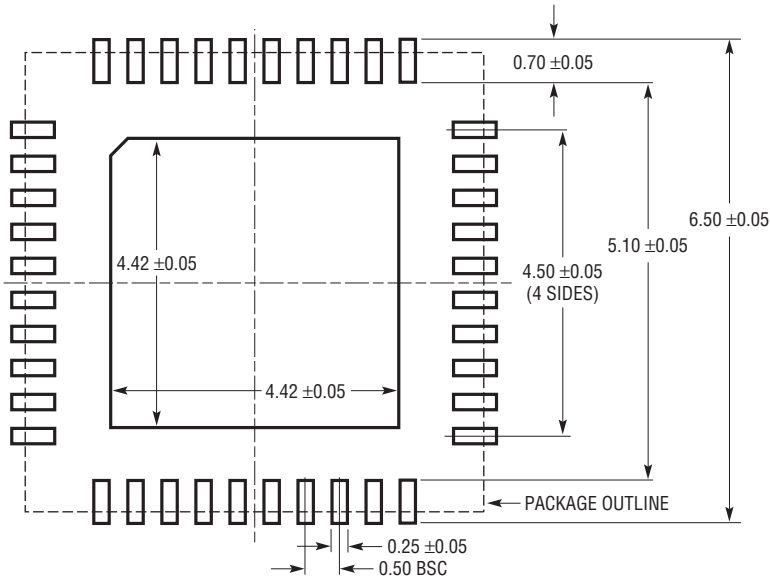


VERSION TABLE

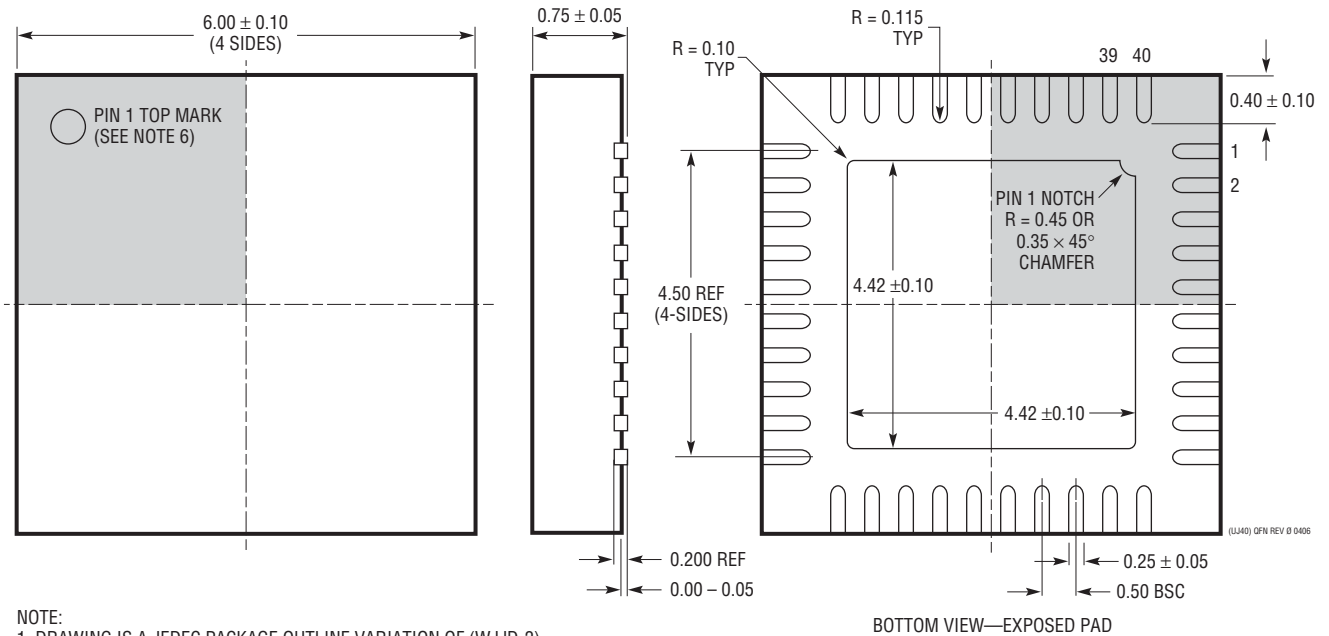
REV	DESCRIPTION	DATE	BY	CHKD	APP'D	ASSEMBLY	STATUS
001	INITIAL RELEASE	06/20/00	WJ	WJ	WJ	WJ	RELEASED
002	REVISION 1	06/20/00	WJ	WJ	WJ	WJ	RELEASED
003	REVISION 2	06/20/00	WJ	WJ	WJ	WJ	RELEASED
004	REVISION 3	06/20/00	WJ	WJ	WJ	WJ	RELEASED
005	REVISION 4	06/20/00	WJ	WJ	WJ	WJ	RELEASED
006	REVISION 5	06/20/00	WJ	WJ	WJ	WJ	RELEASED
007	REVISION 6	06/20/00	WJ	WJ	WJ	WJ	RELEASED
008	REVISION 7	06/20/00	WJ	WJ	WJ	WJ	RELEASED
009	REVISION 8	06/20/00	WJ	WJ	WJ	WJ	RELEASED
010	REVISION 9	06/20/00	WJ	WJ	WJ	WJ	RELEASED
011	REVISION 10	06/20/00	WJ	WJ	WJ	WJ	RELEASED
012	REVISION 11	06/20/00	WJ	WJ	WJ	WJ	RELEASED
013	REVISION 12	06/20/00	WJ	WJ	WJ	WJ	RELEASED
014	REVISION 13	06/20/00	WJ	WJ	WJ	WJ	RELEASED
015	REVISION 14	06/20/00	WJ	WJ	WJ	WJ	RELEASED
016	REVISION 15	06/20/00	WJ	WJ	WJ	WJ	RELEASED
017	REVISION 16	06/20/00	WJ	WJ	WJ	WJ	RELEASED
018	REVISION 17	06/20/00	WJ	WJ	WJ	WJ	RELEASED
019	REVISION 18	06/20/00	WJ	WJ	WJ	WJ	RELEASED
020	REVISION 19	06/20/00	WJ	WJ	WJ	WJ	RELEASED
021	REVISION 20	06/20/00	WJ	WJ	WJ	WJ	RELEASED
022	REVISION 21	06/20/00	WJ	WJ	WJ	WJ	RELEASED
023	REVISION 22	06/20/00	WJ	WJ	WJ	WJ	RELEASED
024	REVISION 23	06/20/00	WJ	WJ	WJ	WJ	RELEASED
025	REVISION 24	06/20/00	WJ	WJ	WJ	WJ	RELEASED
026	REVISION 25	06/20/00	WJ	WJ	WJ	WJ	RELEASED
027	REVISION 26	06/20/00	WJ	WJ	WJ	WJ	RELEASED
028	REVISION 27	06/20/00	WJ	WJ	WJ	WJ	RELEASED
029	REVISION 28	06/20/00	WJ	WJ	WJ	WJ	RELEASED
030	REVISION 29	06/20/00	WJ	WJ	WJ	WJ	RELEASED
031	REVISION 30	06/20/00	WJ	WJ	WJ	WJ	RELEASED
032	REVISION 31	06/20/00	WJ	WJ	WJ	WJ	RELEASED
033	REVISION 32	06/20/00	WJ	WJ	WJ	WJ	RELEASED
034	REVISION 33	06/20/00	WJ	WJ	WJ	WJ	RELEASED
035	REVISION 34	06/20/00	WJ	WJ	WJ	WJ	RELEASED
036	REVISION 35	06/20/00	WJ	WJ	WJ	WJ	RELEASED
037	REVISION 36	06/20/00	WJ	WJ	WJ	WJ	RELEASED
038	REVISION 37	06/20/00	WJ	WJ	WJ	WJ	RELEASED
039	REVISION 38	06/20/00	WJ	WJ	WJ	WJ	RELEASED
040	REVISION 39	06/20/00	WJ	WJ	WJ	WJ	RELEASED
041	REVISION 40	06/20/00	WJ	WJ	WJ	WJ	RELEASED
042	REVISION 41	06/20/00	WJ	WJ	WJ	WJ	RELEASED
043	REVISION 42	06/20/00	WJ	WJ	WJ	WJ	RELEASED
044	REVISION 43	06/20/00	WJ	WJ	WJ	WJ	RELEASED
045	REVISION 44	06/20/00	WJ	WJ	WJ	WJ	RELEASED
046	REVISION 45	06/20/00	WJ	WJ	WJ	WJ	RELEASED
047	REVISION 46	06/20/00	WJ	WJ	WJ	WJ	RELEASED
048	REVISION 47	06/20/00	WJ	WJ	WJ	WJ	RELEASED
049	REVISION 48	06/20/00	WJ	WJ	WJ	WJ	RELEASED
050	REVISION 49	06/20/00	WJ	WJ	WJ	WJ	RELEASED
051	REVISION 50	06/20/00	WJ	WJ	WJ	WJ	RELEASED
052	REVISION 51	06/20/00	WJ	WJ	WJ	WJ	RELEASED
053	REVISION 52	06/20/00	WJ	WJ	WJ	WJ	RELEASED
054	REVISION 53	06/20/00	WJ	WJ	WJ	WJ	RELEASED
055	REVISION 54	06/20/00	WJ	WJ	WJ	WJ	RELEASED
056	REVISION 55	06/20/00	WJ	WJ	WJ	WJ	RELEASED
057	REVISION 56	06/20/00	WJ	WJ	WJ	WJ	RELEASED
058	REVISION 57	06/20/00	WJ	WJ	WJ	WJ	RELEASED
059	REVISION 58	06/20/00	WJ	WJ	WJ	WJ	RELEASED
060	REVISION 59	06/20/00	WJ	WJ	WJ	WJ	RELEASED
061	REVISION 60	06/20/00	WJ	WJ	WJ	WJ	RELEASED
062	REVISION 61	06/20/00	WJ	WJ	WJ	WJ	RELEASED
063	REVISION 62	06/20/00	WJ	WJ	WJ	WJ	RELEASED
064	REVISION 63	06/20/00	WJ	WJ	WJ	WJ	RELEASED
065	REVISION 64	06/20/00	WJ	WJ	WJ	WJ	RELEASED
066	REVISION 65	06/20/00	WJ	WJ	WJ	WJ	RELEASED
067	REVISION 66	06/20/00	WJ	WJ	WJ	WJ	RELEASED
068	REVISION 67	06/20/00	WJ	WJ	WJ	WJ	RELEASED
069	REVISION 68	06/20/00	WJ	WJ	WJ	WJ	RELEASED
070	REVISION 69	06/20/00	WJ	WJ	WJ	WJ	RELEASED
071	REVISION 70	06/20/00	WJ	WJ	WJ	WJ	RELEASED
072	REVISION 71	06/20/00	WJ	WJ	WJ	WJ	RELEASED
073	REVISION 72	06/20/00	WJ	WJ	WJ	WJ	RELEASED
074	REVISION 73	06/20/00	WJ	WJ	WJ	WJ	RELEASED
075	REVISION 74	06/20/00	WJ	WJ	WJ	WJ	RELEASED
076	REVISION 75	06/20/00	WJ	WJ	WJ	WJ	RELEASED
077	REVISION 76	06/20/00	WJ	WJ	WJ	WJ	RELEASED
078	REVISION 77	06/20/00	WJ	WJ	WJ	WJ	RELEASED
079	REVISION 78	06/20/00	WJ	WJ	WJ	WJ	RELEASED
080	REVISION 79	06/20/00	WJ	WJ	WJ	WJ	RELEASED
081	REVISION 80	06/20/00	WJ	WJ	WJ	WJ	RELEASED
082	REVISION 81	06/20/00	WJ	WJ	WJ	WJ	RELEASED
083	REVISION 82	06/20/00	WJ	WJ	WJ	WJ	RELEASED
084	REVISION 83	06/20/00	WJ	WJ	WJ	WJ	RELEASED
085	REVISION 84	06/20/00	WJ	WJ	WJ	WJ	RELEASED
086	REVISION 85	06/20/00	WJ	WJ	WJ	WJ	RELEASED
087	REVISION 86	06/20/00	WJ	WJ	WJ	WJ	RELEASED
088	REVISION 87	06/20/00	WJ	WJ	WJ	WJ	RELEASED
089	REVISION 88	06/20/00	WJ	WJ	WJ	WJ	RELEASED
090	REVISION 89	06/20/00	WJ	WJ	WJ	WJ	RELEASED
091	REVISION 90	06/20/00	WJ	WJ	WJ	WJ	RELEASED
092	REVISION 91	06/20/00	WJ	WJ	WJ	WJ	RELEASED
093	REVISION 92	06/20/00	WJ	WJ	WJ	WJ	RELEASED
094	REVISION 93	06/20/00	WJ	WJ	WJ	WJ	RELEASED
095	REVISION 94	06/20/00	WJ	WJ	WJ	WJ	RELEASED
096	REVISION 95	06/20/00	WJ	WJ	WJ	WJ	RELEASED
097	REVISION 96	06/20/00	WJ	WJ	WJ	WJ	RELEASED
098	REVISION 97	06/20/00	WJ	WJ	WJ	WJ	RELEASED
099	REVISION 98	06/20/00	WJ	WJ	WJ	WJ	RELEASED
100	REVISION 99	06/20/00	WJ	WJ	WJ	WJ	RELEASED
101	REVISION 100	06/20/00	WJ	WJ	WJ	WJ	RELEASED

# PACKAGE DESCRIPTION

**UJ Package**  
**40-Lead Plastic QFN (6mm × 6mm)**  
 (Reference LTC DWG # 05-08-1728 Rev 0)



RECOMMENDED SOLDER PAD PITCH AND DIMENSIONS  
 APPLY SOLDER MASK TO AREAS THAT ARE NOT SOLDERED



- NOTE:
1. DRAWING IS A JEDEC PACKAGE OUTLINE VARIATION OF (WJJD-2)
  2. DRAWING NOT TO SCALE
  3. ALL DIMENSIONS ARE IN MILLIMETERS
  4. DIMENSIONS OF EXPOSED PAD ON BOTTOM OF PACKAGE DO NOT INCLUDE MOLD FLASH. MOLD FLASH, IF PRESENT, SHALL NOT EXCEED 0.20mm ON ANY SIDE, IF PRESENT
  5. EXPOSED PAD SHALL BE SOLDER PLATED
  6. SHADED AREA IS ONLY A REFERENCE FOR PIN 1 LOCATION ON THE TOP AND BOTTOM OF PACKAGE

BOTTOM VIEW—EXPOSED PAD

(UJ40) QFN REV 0 0406



## RELATED PARTS

PART NUMBER	DESCRIPTION	COMMENTS
LTC1993-2	High Speed Differential Op Amp	800MHz BW, 70dBc Distortion at 70MHz, 6dB Gain
LTC1994	Low Noise, Low Distortion Fully Differential Input/Output Amplifier/Driver	Low Distortion: -94dBc at 1MHz
LTC2215	16-Bit, 65Msps, Low Noise ADC	700mW, 81.5dB SNR, 100dB SFDR, 64-Pin QFN
LTC2216	16-Bit, 80Msps, Low Noise ADC	970mW, 81.3dB SNR, 100dB SFDR, 64-Pin QFN
LTC2217	16-Bit, 105Msps, Low Noise ADC	1190mW, 81.2dB SNR, 100dB SFDR, 64-Pin QFN
LTC2202	16-Bit, 10Msps, 3.3V ADC, Lowest Noise	140mW, 81.6dB SNR, 100dB SFDR, 48-Pin QFN
LTC2203	16-Bit, 25Msps, 3.3V ADC, Lowest Noise	220mW, 81.6dB SNR, 100dB SFDR, 48-Pin QFN
LTC2204	16-Bit, 40Msps, 3.3V ADC	480mW, 79dB SNR, 100dB SFDR, 48-Pin QFN
LTC2205	16-Bit, 65Msps, 3.3V ADC	590mW, 79dB SNR, 100dB SFDR, 48-Pin QFN
LTC2206	16-Bit, 80Msps, 3.3V ADC	725mW, 77.9dB SNR, 100dB SFDR, 48-Pin QFN
LTC2207	16-Bit, 105Msps, 3.3V ADC	900mW, 77.9dB SNR, 100dB SFDR, 48-Pin QFN
LTC2208	16-Bit, 130Msps, 3.3V ADC, LVDS Outputs	1250mW, 77.7dB SNR, 100dB SFDR, 64-Pin QFN
LTC2209	16-Bit, 160Msps, ADC, LVDS Outputs	1.45W, 77.1dB SNR, 100dB SFDR, 64-Pin QFN
LTC2220	12-Bit, 170Msps ADC	890mW, 67.5dB SNR, 9mm × 9mm QFN Package
LTC2220-1	12-Bit, 185Msps, 3.3V ADC, LVDS Outputs	910mW, 67.7dB SNR, 80dB SFDR, 64-Pin QFN
LTC2224	12-Bit, 135Msps, 3.3V ADC, High IF Sampling	630mW, 67.6dB SNR, 84dB SFDR, 48-Pin QFN
LTC2249	14-Bit, 80Msps ADC	230mW, 73dB SNR, 5mm × 5mm QFN Package
LTC2250	10-Bit, 105Msps ADC	320mW, 61.6dB SNR, 5mm × 5mm QFN Package
LTC2251	10-Bit, 125Msps ADC	395mW, 61.6dB SNR, 5mm × 5mm QFN Package
LTC2252	12-Bit, 105Msps ADC	320mW, 70.2dB SNR, 5mm × 5mm QFN Package
LTC2253	12-Bit, 125Msps ADC	395mW, 70.2dB SNR, 5mm × 5mm QFN Package
LTC2254	14-Bit, 105Msps ADC	320mW, 72.5dB SNR, 5mm × 5mm QFN Package
LTC2255	14-Bit, 125Msps, 3V ADC, Lowest Power	395mW, 72.5dB SNR, 88dB SFDR, 32-Pin QFN
LTC2274	16-Bit, 105Msps, Serial ADC	1.3W, 100dB SFDR, High Speed Serial Interface (JESD204), 6mm × 6mm QFN Package
LTC2284	14-Bit, Dual, 105Msps, 3V ADC, Low Crosstalk	540mW, 72.4dB SNR, 88dB SFDR, 64-Pin QFN
LTC2299	Dual 14-Bit, 80Msps ADC	230mW, 71.6dB SNR, 5mm × 5mm QFN Package
LTC5512	DC-3GHz High Signal Level Downconverting Mixer	DC to 3GHz, 21dBm IIP3, Integrated LO Buffer
LTC5515	1.5 GHz to 2.5GHz Direct Conversion Quadrature Demodulator	High IIP3: 20dBm at 1.9GHz, Integrated LO Quadrature Generator
LTC5516	800MHz to 1.5GHz Direct Conversion Quadrature Demodulator	High IIP3: 21.5dBm at 900MHz, Integrated LO Quadrature Generator
LTC5517	40MHz to 900MHz Direct Conversion Quadrature Demodulator	High IIP3: 21dBm at 800MHz, Integrated LO Quadrature Generator
LTC5522	600MHz to 2.7GHz High Linearity Downconverting Mixer	4.5V to 5.25V Supply, 25dBm IIP3 at 900MHz, NF = 12.5dB, 50Ω Single-Ended RF and LO Ports
LTC5527	400MHz to 3.7GHz High Signal Level Downconverting Mixer	4.5V to 5.25V Supply, 23.5dBm IIP3 at 1900MHz, I <sub>CC</sub> = 78mA, Conversion Gain = 2dB
LTC5579	1.5GHz to 3.8GHz High Linearity Upconverting Mixer	3.3V Supply, 27.3dBm OIP3 at 2.14GHz, Conversion Gain = 2.6dB at 2.14GHz
LTC6400-20	1.8GHz Low Noise, Low Distortion Differential ADC Driver for 300MHz IF	Fixed Gain 10V/V, 2.1nV/√Hz Total Input Noise, 3mm × 3mm QFN-16 Package



Компания «ЭлектроПласт» предлагает заключение долгосрочных отношений при поставках импортных электронных компонентов на взаимовыгодных условиях!

Наши преимущества:

- Оперативные поставки широкого спектра электронных компонентов отечественного и импортного производства напрямую от производителей и с крупнейших мировых складов;
- Поставка более 17-ти миллионов наименований электронных компонентов;
- Поставка сложных, дефицитных, либо снятых с производства позиций;
- Оперативные сроки поставки под заказ (от 5 рабочих дней);
- Экспресс доставка в любую точку России;
- Техническая поддержка проекта, помощь в подборе аналогов, поставка прототипов;
- Система менеджмента качества сертифицирована по Международному стандарту ISO 9001;
- Лицензия ФСБ на осуществление работ с использованием сведений, составляющих государственную тайну;
- Поставка специализированных компонентов (Xilinx, Altera, Analog Devices, Intersil, Interpoint, Microsemi, Aeroflex, Peregrine, Syfer, Eurofarad, Texas Instrument, Miteq, Cobham, E2V, MA-COM, Hittite, Mini-Circuits, General Dynamics и др.);

Помимо этого, одним из направлений компании «ЭлектроПласт» является направление «Источники питания». Мы предлагаем Вам помощь Конструкторского отдела:

- Подбор оптимального решения, техническое обоснование при выборе компонента;
- Подбор аналогов;
- Консультации по применению компонента;
- Поставка образцов и прототипов;
- Техническая поддержка проекта;
- Защита от снятия компонента с производства.



#### Как с нами связаться

**Телефон:** 8 (812) 309 58 32 (многоканальный)

**Факс:** 8 (812) 320-02-42

**Электронная почта:** [org@eplast1.ru](mailto:org@eplast1.ru)

**Адрес:** 198099, г. Санкт-Петербург, ул. Калинина, дом 2, корпус 4, литера А.