

Metric Cable Glands and Locknuts

Technical Features

- Anti vibration cap
- Each gland comes complete with locknut
- Zero Halogen polyamide 6
- Neoprene Seal
- Protection class to IP68/5 bar
- Temperature range -30 °C up to +80 °C permanent
- Operating temperature up to +150 °C intermittent
- VDE approved
- Colors available in: Black, Grey, Red, White

Application Areas

- Repair and Maintenance
- Machine Tool
- Panel Building
- Outside Plant
- Lighting
- Professional Equipment
- Electrical Junction Boxes
- Bulk Head Wiring
- Automotive
- Robotics
- General Wiring Applications etc.



Nylon Metric Cable Glands and Locknuts (Anti-Vibration)

The Tyco Electronics nylon cable glands and locknuts are designed with anti-vibration top caps.

This assists in areas where vibration could be a problem, although the cap when tightened is locked it can be un-screwed and re-tightened.

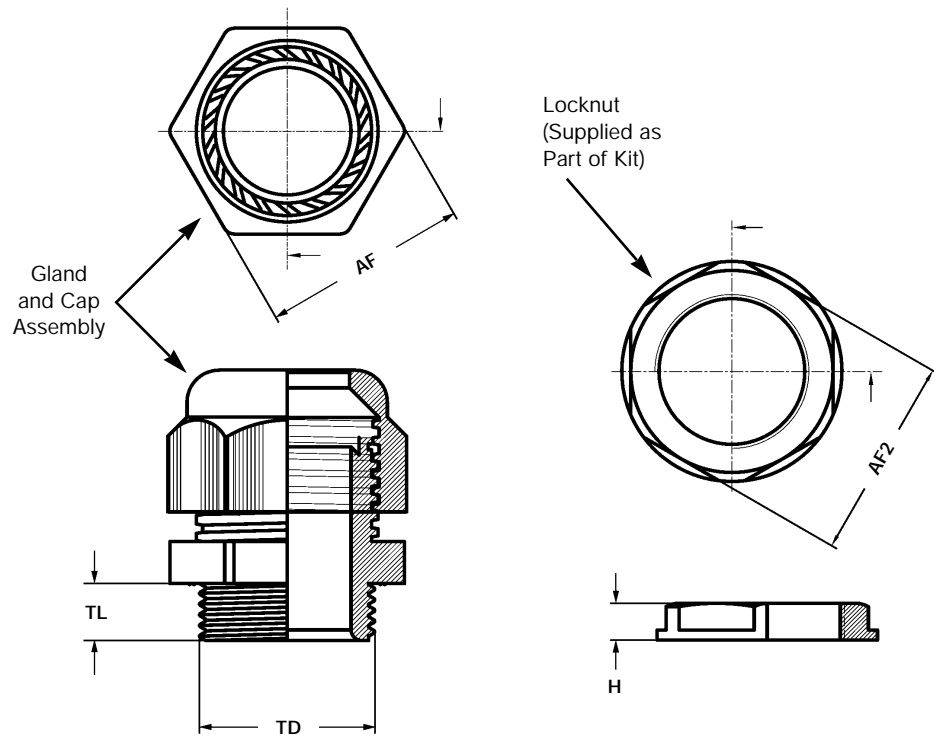
The Comprehensive Range Covers Sizes from:

- M12 / 12.0 mm (3.0–6.5 mm cable range) up to
- M63 / 63.0 mm (34.0–44.0 mm cable range)



Metric Cable Glands and Locknuts

Anti-Vibration
Nylon Locking Gland



Size (mm)	Cable Range (mm)	Dimensions (mm)					Part Numbers				Bag Quantity	Package Quantity
		Gland and Cap Assembly			Locknut		Colors					
		TD	TL	AF	H	AF2	Grey	Black	Red	White		
M12	3.0-6.5	12.0	8.0	15.0	5.0	18.0	1478768-1	1478769-1	1478770-1	1478771-1	5	100
M16	5.0-10.0	16.0	10.0	22.0	5.0	22.0	1478768-2	1478769-2	1478770-2	1478771-2	5	100
M20	6.0-12.0	20.0	10.0	24.0	6.0	26.0	1478768-3	1478769-3	1478770-3	1478771-3	5	100
M20	10.0-14.0	20.0	10.0	27.0	6.0	26.0	1478768-4	1478769-4	1478770-4	1478771-4	5	100
M25	13.0-18.0	25.0	10.0	33.0	6.0	32.0	1478768-5	1478769-5	1478770-5	1478771-5	5	50
M32	18.0-25.0	32.0	18.0	42.0	7.0	41.0	1478768-6	1478769-6	1478770-6	1478771-6	5	30
M40	22.0-32.0	40.0	18.0	53.0	7.0	50.0	1478768-7	1478769-7	1478770-7	1478771-7	2	10
M50	30.0-38.0	50.0	18.0	60.0	8.0	60.0	1478768-8	1478769-8	1478770-8	1478771-8	2	10
M63	34.0-44.0	63.0	18.0	65.0	8.0	75.0	1478768-9	1478769-9	1478770-9	1478771-9	2	10

Metric/PG EMC Cable Glands and Locknuts

Technical Features

- Full EMC shielding
- Brass nickel plated body and locknut
- Kit is complete with EMC locknut and assembly instructions
- Long thread for use on thick or standard panels
- Inner cable protection
- Neoprene Seal
- Protection class to IP68/5 bar
- Temperature range -40°C up to +100°C permanent

Application Areas

- Repair and Maintenance
- Machine Tool
- Panel Building
- Outside Plant
- Lighting
- Professional Equipment
- Electrical Junction Boxes
- Bulk Head Wiring
- Automotive
- Robotics
- General Wiring Applications etc.



Nickel Plated Brass EMC Cable Glands and Locknuts

The Tyco Electronics nickel plated brass EMC cable glands and locknuts are designed with EMC requirements in mind.

The glands offer full 360° shielding and comes complete with a specially designed locknut and installation instructions.

The locknut has raised edges which when tightened is intended to clean the contact area between the nut and panel.

The additional thread length allows more flexible fitting to either standard or thick panels.

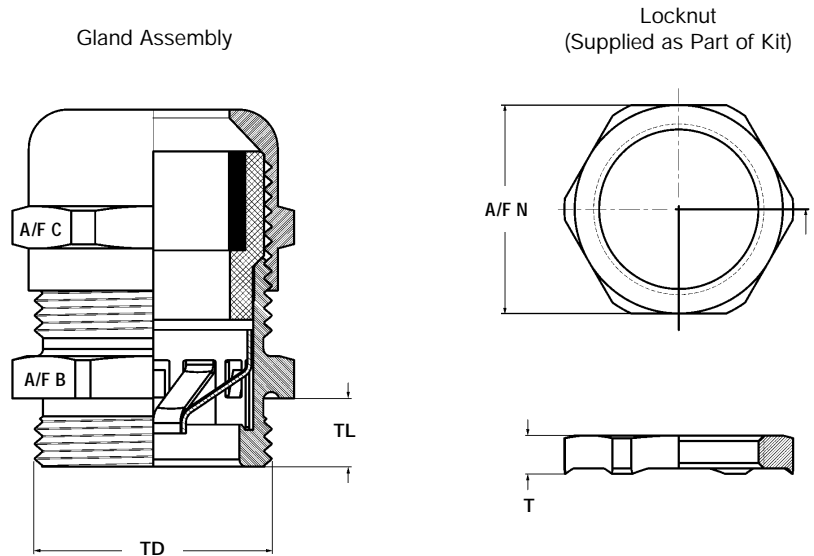
The Comprehensive Range Covers Sizes from:

- Metric
 - M12 / 12.0 mm (4.0–8.0 mm cable range) up to
 - M63 / 63.0 mm (34.0–44.0 mm cable range)
- PG
 - PG7 / 13.0 mm (3.0–6.5 mm cable range) up to
 - PG48 / 59.0 mm (34.0–44.0 mm cable range)



Metric/PG EMC Cable Glands and Locknuts

EMC Cable Glands



PG EMC Gland

Size	TD (mm)	TL (mm)	T (mm)	A/F N (mm)	Min. Shield Diameter (mm)	A/F B (mm)	A/F C (mm)	Clamping Range (mm)	Part Number	Bag Quantity	Package Quantity
PG 7	13.0	10.0	3.3	15.0	2.5	14.0	14.0	3.0-6.5	1478885-1	5	150
PG 9	16.0	10.0	3.3	18.0	3.0	17.0	17.0	4.0-8.0	1478885-2	5	120
PG 11	19.0	10.0	3.5	21.0	4.0	20.0	20.0	5.0-10.0	1478885-3	5	100
PG 13.5	21.0	10.0	3.5	23.0	5.0	22.0	22.0	6.0-12.0	1478885-4	5	50
PG 16	23.0	10.0	3.5	26.0	8.0	24.0	24.0	10.0-14.0	1478885-5	1	100
PG 21	29.0	12.0	4.0	32.0	11.0	30.0	30.0	13.0-18.0	1478885-6	1	50
PG 29	37.0	12.0	4.6	41.0	16.0	40.0	40.0	18.0-25.0	1478885-7	1	50
PG 36	47.0	14.0	5.6	51.0	19.0	50.0	50.0	22.0-32.0	1478885-8	1	50
PG 42	54.0	16.0	5.6	60.0	27.0	58.0	58.0	30.0-38.0	1478885-9	1	25
PG 48	59.0	18.0	6.1	64.0	30.0	64.0	64.0	34.0-44.0	1-1478885-0	1	25

Metric EMC Gland

Size	TD (mm)	TL (mm)	T (mm)	A/F N (mm)	Min. Shield Braid Diameter (mm)	A/F B (mm)	A/F C (mm)	Clamping Range (mm)	Part Number	Bag Quantity	Package Quantity
M12	12.0	12.0	3.3	15.0	2.5	14.0	14.0	4.0-8.0	1478884-1	5	150
M16	16.0	12.0	3.5	19.0	3.0	18.0	17.0	5.0-10.0	1478884-2	5	120
M20	20.0	12.0	3.6	24.0	5.0	22.0	22.0	6.0-12.0	1478884-3	5	100
M25	25.0	12.0	3.5	30.0	8.0	27.0	24.0	10.0-14.0	1478884-4	5	50
M32	32.0	15.0	4.0	36.0	11.0	34.0	30.0	13.0-18.0	1478884-5	1	100
M40	40.0	15.0	4.6	46.0	16.0	43.0	40.0	18.0-25.0	1478884-6	1	50
M50	50.0	15.0	5.5	60.0	19.0	55.0	50.0	22.0-32.0	1478884-7	1	50
M63	63.0	18.0	6.7	70.0	30.0	68.0	64.0	34.0-44.0	1478884-8	1	50

Tooling

Gland Hand Tool Socket

Suitable for Standard Brass and Nylon Glands



Size	Glands	Part Number	Bag Quantity	Package Quantity
AF 17 mm Socket	Brass / Nylon	1634243-1	1	100
AF 19 mm Socket	Brass / Nylon	1634243-2	1	100
AF 22 mm Socket	Brass / Nylon	1634243-3	1	100
AF 24 mm Socket	Brass / Nylon	1634243-4	1	100
AF 27 mm Socket	Brass / Nylon	1634243-5	1	50
AF 29 mm Socket	Brass / Nylon	1634243-6	1	50

Feature

- Unique slim socket design
- Easy to use self-ratchet design
- One socket
 - Tightens and releases glands
 - One socket fits one size
- Drive bar drive 1/4" (6.4 mm)

Benefit

- High-density installations
- Lower installation time
- Reduced tool costs
- Standard for all sizes

Engineering Notes

A large grid of graph paper for engineering notes, consisting of a uniform pattern of small squares covering the majority of the page.



Компания «ЭлектроПласт» предлагает заключение долгосрочных отношений при поставках импортных электронных компонентов на взаимовыгодных условиях!

Наши преимущества:

- Оперативные поставки широкого спектра электронных компонентов отечественного и импортного производства напрямую от производителей и с крупнейших мировых складов;
- Поставка более 17-ти миллионов наименований электронных компонентов;
- Поставка сложных, дефицитных, либо снятых с производства позиций;
- Оперативные сроки поставки под заказ (от 5 рабочих дней);
- Экспресс доставка в любую точку России;
- Техническая поддержка проекта, помощь в подборе аналогов, поставка прототипов;
- Система менеджмента качества сертифицирована по Международному стандарту ISO 9001;
- Лицензия ФСБ на осуществление работ с использованием сведений, составляющих государственную тайну;
- Поставка специализированных компонентов (Xilinx, Altera, Analog Devices, Intersil, Interpoint, Microsemi, Aeroflex, Peregrine, Syfer, Eurofarad, Texas Instrument, Miteq, Cobham, E2V, MA-COM, Hittite, Mini-Circuits, General Dynamics и др.);

Помимо этого, одним из направлений компании «ЭлектроПласт» является направление «Источники питания». Мы предлагаем Вам помощь Конструкторского отдела:

- Подбор оптимального решения, техническое обоснование при выборе компонента;
- Подбор аналогов;
- Консультации по применению компонента;
- Поставка образцов и прототипов;
- Техническая поддержка проекта;
- Защита от снятия компонента с производства.



Как с нами связаться

Телефон: 8 (812) 309 58 32 (многоканальный)

Факс: 8 (812) 320-02-42

Электронная почта: org@eplast1.ru

Адрес: 198099, г. Санкт-Петербург, ул. Калинина, дом 2, корпус 4, литера А.