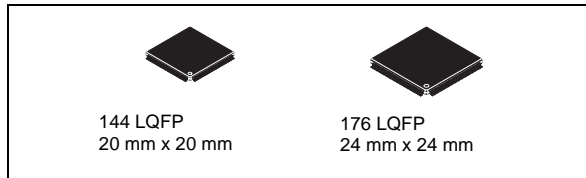


## 32-bit Power Architecture<sup>®</sup> based MCU for automotive powertrain applications

Datasheet - production data



### Features

- Single issue, 32-bit Power Architecture<sup>®</sup> Book E compliant e200z335 CPU core complex
  - Includes Variable Length Encoding (VLE) enhancements for code size reduction
- 32-channel Direct Memory Access controller (DMA)
- Interrupt Controller (INTC) capable of handling 364 selectable-priority interrupt sources: 191 peripheral interrupt sources, 8 software interrupts and 165 reserved interrupts.
- Frequency-Modulated Phase-Locked Loop (FMPLL)
- Calibration External Bus Interface (EBI)<sup>(a)</sup>
- System Integration Unit (SIU)
- Up to 1.5 Mbyte on-chip Flash with Flash controller
  - Fetch Accelerator for single cycle Flash access @80 MHz
- Up to 94 Kbyte on-chip static RAM (including up to 32 Kbyte standby RAM)
- Boot Assist Module (BAM)
- 32-channel second-generation enhanced Time Processor Unit (eTPU)
  - 32 standard eTPU channels
  - Architectural enhancements to improve code efficiency and added flexibility
- 16-channels enhanced Modular Input-Output System (eMIOS)
- Enhanced Queued Analog-to-Digital Converter (eQADC)
  - Decimation filter (part of eQADC)
  - Silicon die temperature sensor
- 2 Deserial Serial Peripheral Interface (DSPI) modules (compatible with Microsecond Bus)
- 2 enhanced Serial Communication Interface (eSCI) modules compatible with LIN
- 2 Controller Area Network (FlexCAN) modules that support CAN 2.0B
- Nexus Port Controller (NPC) per IEEE-ISTO 5001-2003 standard
- IEEE 1149.1 (JTAG) support
- Nexus interface
- On-chip voltage regulator controller that provides 1.2 V and 3.3 V internal supplies from a 5 V external source.
- Designed for LQFP144, and LQFP176

a. The external bus interface is only accessible when using the calibration tool. It is not available on production packages.

Table 1. Device summary

Memory Flash size	Part number	
	Package: LQFP144	Package: LQFP176
1536 Kbyte	SPC563M64L5	SPC563M64L7
1024 Kbyte	SPC563M60L5	SPC563M60L7

# Contents

- 1 Introduction ..... 7**
  - 1.1 Document overview ..... 7
  - 1.2 Description ..... 7
  
- 2 Overview ..... 8**
  - 2.1 Device comparison ..... 9
  - 2.2 SPC563Mxx features ..... 10
  - 2.3 SPC563Mxx feature details ..... 19
    - 2.3.1 e200z335 core ..... 19
    - 2.3.2 Crossbar ..... 20
    - 2.3.3 eDMA ..... 21
    - 2.3.4 Interrupt controller ..... 21
    - 2.3.5 FMPLL ..... 22
    - 2.3.6 Calibration EBI ..... 23
    - 2.3.7 SIU ..... 24
    - 2.3.8 ECSM ..... 25
    - 2.3.9 Flash ..... 25
    - 2.3.10 SRAM ..... 26
    - 2.3.11 BAM ..... 26
    - 2.3.12 eMIOS ..... 26
    - 2.3.13 eTPU2 ..... 27
    - 2.3.14 eQADC ..... 29
    - 2.3.15 DSPI ..... 31
    - 2.3.16 eSCI ..... 33
    - 2.3.17 FlexCAN ..... 34
    - 2.3.18 System timers ..... 35
    - 2.3.19 Software Watchdog Timer (SWT) ..... 36
    - 2.3.20 Debug features ..... 36
  - 2.4 SPC563Mxx series architecture ..... 39
    - 2.4.1 Block diagram ..... 39
    - 2.4.2 Block summary ..... 39
  
- 3 Pinout and signal description ..... 41**
  - 3.1 LQFP144 pinout ..... 41

3.2	LQFP176 pinout	43
3.3	Signal summary	44
3.4	Signal details	63
<b>4</b>	<b>Electrical characteristics</b>	<b>68</b>
4.1	Parameter classification	68
4.2	Maximum ratings	68
4.3	Thermal characteristics	70
4.3.1	General notes for specifications at maximum junction temperature	71
4.4	Electromagnetic Interference (EMI) characteristics	74
4.5	Electromagnetic static discharge (ESD) characteristics	74
4.6	Power Management Control (PMC) and Power On Reset (POR) electrical specifications	75
4.6.1	Regulator example	78
4.6.2	Recommended power transistors	80
4.7	Power up/down sequencing	80
4.8	DC electrical specifications	81
4.9	I/O Pad current specifications	87
4.9.1	I/O pad VRC33 current specifications	88
4.9.2	LVDS pad specifications	89
4.10	Oscillator and PLLMRFM electrical characteristics	90
4.11	Temperature sensor electrical characteristics	92
4.12	eQADC electrical characteristics	92
4.13	Platform Flash controller electrical characteristics	94
4.14	Flash memory electrical characteristics	95
4.15	AC specifications	96
4.15.1	Pad AC specifications	96
4.16	AC timing	99
4.16.1	IEEE 1149.1 interface timing	99
4.16.2	Nexus timing	102
4.16.3	Calibration bus interface timing	105
4.16.4	eMIOS timing	109
4.16.5	DSPI timing	109
4.16.6	eQADC SSI timing	115

---

<b>5</b>	<b>Packages</b> .....	<b>116</b>
5.1	ECOPACK® .....	116
5.2	Package mechanical data .....	116
5.2.1	LQFP144 .....	116
5.2.2	LQFP176 .....	118
<b>6</b>	<b>Ordering information</b> .....	<b>120</b>
<b>7</b>	<b>Revision history</b> .....	<b>121</b>

## List of tables

Table 1.	Device summary	1
Table 2.	SPC563Mxx family device summary	9
Table 3.	SPC563Mxx series block summary	40
Table 4.	SPC563Mx signal properties	44
Table 5.	Pad types	63
Table 6.	Signal details	63
Table 7.	SPC563Mx Power/Ground Segmentation	66
Table 8.	Parameter classifications	68
Table 9.	Absolute maximum ratings	68
Table 10.	Thermal characteristics for 144-pin LQFP	70
Table 11.	Thermal characteristics for 176-pin LQFP	70
Table 12.	EMI testing specifications	74
Table 13.	ESD ratings,	74
Table 14.	PMC Operating conditions and external regulators supply voltage	75
Table 15.	PMC electrical characteristics.	75
Table 16.	Required external PMC component values	79
Table 17.	Network 1 component values	79
Table 18.	Network 2 component values	79
Table 19.	Network 3 component values	80
Table 20.	Recommended operating characteristics	80
Table 21.	Power sequence pin states for fast pads	81
Table 22.	Power sequence pin states for medium, slow and multi-voltage pads	81
Table 23.	DC electrical specifications.	81
Table 24.	I/O pad average $I_{DDE}$ specifications	87
Table 25.	I/O pad $V_{RC33}$ average $I_{DDE}$ specifications.	88
Table 26.	$V_{RC33}$ pad average DC current.	89
Table 27.	DSPI LVDS pad specification	90
Table 28.	PLLMRFM electrical specifications ( $V_{DDPLL} = 1.14 \text{ V to } 1.32 \text{ V}$ , $V_{SS} = V_{SSPLL} = 0 \text{ V}$ , $T_A = T_L$ to $T_H$ )	90
Table 29.	Temperature sensor electrical characteristics	92
Table 30.	eQADC conversion specifications (operating)	93
Table 31.	APC, RWSC, WWSC settings vs. frequency of operation	94
Table 32.	Program and erase specifications	95
Table 33.	Flash module life.	95
Table 34.	Pad AC specifications (5.0 V)	96
Table 35.	Pad AC specifications (3.3 V)	97
Table 36.	Pad AC specifications (1.8 V)	98
Table 37.	JTAG pin AC electrical characteristics	99
Table 38.	Nexus debug port timing.	102
Table 39.	Calibration bus operation timing	105
Table 40.	eMIOS timing	109
Table 41.	DSPI timing	109
Table 42.	eQADC SSI timing characteristics (pads at 3.3 V or at 5.0 V)	115
Table 43.	LQFP144 mechanical data	117
Table 44.	LQFP176 mechanical data	119
Table 45.	Document revision history	121

## List of figures

Figure 1.	SPC563Mxx series block diagram	39
Figure 2.	144-pin LQFP pinout (top view)	42
Figure 3.	176-pin LQFP pinout (top view)	43
Figure 4.	Core voltage regulator controller external components preferred configuration	78
Figure 5.	Pad output delay	99
Figure 6.	JTAG test clock input timing	100
Figure 7.	JTAG test access port timing	101
Figure 8.	JTAG JCOMP timing	101
Figure 9.	JTAG boundary scan timing	102
Figure 10.	Nexus output timing	103
Figure 11.	Nexus event trigger and test clock timings	104
Figure 12.	Nexus TDI, TMS, TDO timing	104
Figure 13.	CLKOUT timing	106
Figure 14.	Synchronous output timing	107
Figure 15.	Synchronous input timing	108
Figure 16.	ALE signal timing	108
Figure 17.	DSPI classic SPI timing – master, CPHA = 0	111
Figure 18.	DSPI classic SPI timing – master, CPHA = 1	111
Figure 19.	DSPI classic SPI timing – slave, CPHA = 0	112
Figure 20.	DSPI classic SPI timing – slave, CPHA = 1	112
Figure 21.	DSPI modified transfer format timing – master, CPHA = 0	113
Figure 22.	DSPI modified transfer format timing – master, CPHA = 1	113
Figure 23.	DSPI modified transfer format timing – slave, CPHA = 0	114
Figure 24.	DSPI modified transfer format timing – slave, CPHA = 1	114
Figure 25.	DSPI PCS strobe (PCSS) timing	114
Figure 26.	eQADC SSI timing	115
Figure 27.	LQFP144 package mechanical drawing	116
Figure 28.	LQFP176 package mechanical drawing	118
Figure 29.	Commercial product code structure	120

# 1 Introduction

## 1.1 Document overview

This document provides an overview and describes the features of the SPC563Mxx series of Microcontroller Units (MCUs). For functional characteristics, refer to the device reference manual. Electrical specifications and package mechanical drawings are included in this device data sheet. Pin assignments can be found in both the reference manual and data sheet.

## 1.2 Description

These 32-bit automotive microcontrollers are a family of System-on-Chip (SoC) devices that contain many new features coupled with high performance 90 nm CMOS technology to provide substantial reduction of cost per feature and significant performance improvement. The advanced and cost-efficient host processor core of this automotive controller family is built on Power Architecture<sup>®</sup> technology. This family contains enhancements that improve the architecture's fit in embedded applications, includes additional instruction support for Digital Signal Processing (DSP), integrates technologies—such as an enhanced time processor unit, enhanced queued analog-to-digital converter, Controller Area Network, and an enhanced modular input-output system—that are important for today's lower-end powertrain applications. The device has a single level of memory hierarchy consisting of up to 94 KB on-chip SRAM and up to 1.5 MB of internal flash memory. The device also has an External Bus Interface (EBI) for 'calibration'.

## 2 Overview

This document provides electrical specifications, pin assignments, and package diagrams for the SPC563Mxx series of microcontroller units (MCUs). For functional characteristics, refer to the *SPC563Mxx Microcontroller Reference Manual*.

The SPC563Mxx series microcontrollers are system-on-chip devices that are built on Power Architecture® technology and:

- Are 100% user-mode compatible with the Power Architecture instruction set
- Contain enhancements that improve the architecture's fit in embedded applications
- Include additional instruction support for digital signal processing (DSP)
- Integrate technologies such as an enhanced time processor unit, enhanced queued analog-to-digital converter, Controller Area Network, and an enhanced modular input-output system
- Operating Parameters
  - Fully static operation, 0 MHz – 80 MHz (plus 2% frequency modulation - 82 MHz)
  - –40 °C – 150 °C junction temperature operating range
  - Low power design
    - Less than 400 mW power dissipation (nominal)
    - Designed for dynamic power management of core and peripherals
    - Software controlled clock gating of peripherals
    - Low power stop mode, with all clocks stopped
  - Fabricated in 90 nm process
  - 1.2 V internal logic
- High performance e200z335 core processor
- Advanced microcontroller bus architecture (AMBA) crossbar switch (XBAR)
- Enhanced direct memory access (eDMA) controller
- Interrupt controller (INTC)
  - 191 peripheral interrupt request sources, plus 165 reserved positions
  - Low latency—three clocks from receipt of interrupt request from peripheral to interrupt request to processor
- Frequency Modulating Phase-locked loop (FMPLL)
- Calibration bus interface (EBI) (available only in the calibration package)
- System integration unit (SIU) centralizes control of pads, GPIO pins and external interrupts.
- Error correction status module (ECSM) provides configurable error-correcting codes (ECC) reporting
- Up to 1.5 MB on-chip flash memory
- Up to 94 KB on-chip static RAM
- Boot assist module (BAM) enables and manages the transition of MCU from reset to user code execution from internal flash memory, external memory on the calibration bus or download and execution of code via FlexCAN or eSCI.



- Periodic interrupt timer (PIT)
  - 32-bit wide down counter with automatic reload
  - 4 channels clocked by system clock
  - 1 channel clocked by crystal clock
- System timer module (STM)
  - 32-bit up counter with 8-bit prescaler
  - Clocked from system clock
  - 4 channel timer compare hardware
- Software watchdog timer (SWT) 32-bit timer
- Enhanced modular I/O system (eMIOS)
  - 16 standard timer channels (up to 14 channels connected to pins in LQFP144)
  - 24-bit timer resolution
- Second-generation enhanced time processor unit (eTPU2)
  - High level assembler/compiler
  - Enhancements to make 'C' compiler more efficient
  - New 'engine relative' addressing mode
- Enhanced queued A/D converter (eQADC)
  - 2 independent on-chip RSD Cyclic ADCs
  - Up to 34 input channels available to the two on-chip ADCs
  - 4 pairs of differential analog input channels
- 2 deserial serial peripheral interface modules (DSPI)
  - SPI provides full duplex communication ports with interrupt and DMA request support
  - Deserial serial interface (DSI) achieves pin reduction by hardware serialization and deserialization of eTPU, eMIOS channels and GPIO
- 2 enhanced serial communication interface (eSCI) modules
- 2 FlexCAN modules
- Nexus port controller (NPC) per IEEE-ISTO 5001-2003 standard
- IEEE 1149.1 JTAG controller (JTAGC)

## 2.1 Device comparison

Table 2. SPC563Mxx family device summary

Feature	SPC563M64	SPC563M60
Flash memory size (KB)	1536	1024
Total SRAM size (KB)	94	64
Standby SRAM size (KB)	32	32
Processor core	32-bit e200z335 with SPE and FPU support	32-bit e200z335 with SPE and FPU support
Core frequency (MHz)	64/80	40/64/80

Table 2. SPC563Mxx family device summary (continued)

Feature	SPC563M64	SPC563M60
Calibration bus width <sup>(1)</sup>	16 bits	16 bits
DMA (direct memory access) channels	32	32
eMIOS (enhanced modular input-output system) channels	16	16
eQADC (enhanced queued analog-to-digital converter) channels (on-chip)	Up to 34 <sup>(2)</sup>	Up to 34 <sup>(2)</sup>
eSCI (serial communication interface)	2	2
DSPIC (deserial serial peripheral interface)	2	2
Microsecond Channel compatible interface	2	2
eTPU (enhanced time processor unit)	Yes	Yes
Channels	32	32
Code memory (KB)	14	14
Parameter RAM (KB)	3	3
FlexCAN (controller area network) <sup>(3)</sup>	2	2
FMPLL (frequency-modulated phase-locked loop)	Yes	Yes
INTC (interrupt controller) channels	364 <sup>(4)</sup>	364 <sup>(4)</sup>
JTAG controller	Yes	Yes
NDI (Nexus development interface) level	Class 2+	Class 2+
Non-maskable interrupt and critical interrupt	Yes	Yes
PIT (periodic interrupt timers)	5	5
Task monitor timer	4 channels	4 channels
Temperature sensor	Yes	Yes
Windowing software watchdog	Yes	Yes
Packages	LQFP144 LQFP176	LQFP144 LQFP176

1. Calibration package only.

2. The 176-pin package has 34 input channels; 144-pin package has 32 input channels; 100-pin package has 23 input channels.

3. One FlexCAN module has 64 message buffers; the other has 32 message buffers.

4. 165 interrupt channels are reserved for compatibility with future devices. This device has 191 peripheral interrupt sources plus 8 software interrupts available to the user.

## 2.2 SPC563Mxx features

- Operating Parameters
  - Fully static operation, 0 MHz – 80 MHz (plus 2 % frequency modulation - 82 MHz)
  - –40 °C to 150 °C junction temperature operating range
  - Low power design
    - Less than 400 mW power dissipation (nominal)
    - Designed for dynamic power management of core and peripherals

- Software controlled clock gating of peripherals
  - Low power stop mode, with all clocks stopped
- Fabricated in 90 nm process
- 1.2 V internal logic
- Single power supply with 5.0 V  $-10\%$  /  $+5\%$  (4.5 V to 5.25 V) with internal regulator to provide 3.3 V and 1.2 V for the core
- Input and output pins with 5.0 V  $-10\%$  /  $+5\%$  (4.5 V to 5.25 V) range  
35 %/65 %  $V_{DDE}$  CMOS switch levels (with hysteresis)
  - Selectable hysteresis
  - Selectable slew rate control
- Nexus pins powered by 3.3 V supply
- Designed with EMI reduction techniques
  - Phase-locked loop
  - Frequency modulation of system clock frequency
  - On-chip bypass capacitance
  - Selectable slew rate and drive strength
- High performance e200z335 core processor
  - 32-bit *Power Architecture Book E* programmer's model
  - Variable Length Encoding Enhancements
    - Allows Power Architecture instruction set to be optionally encoded in a mixed 16 and 32-bit instructions
    - Results in smaller code size
  - Single issue, 32-bit *Power Architecture technology* compliant CPU
  - In-order execution and retirement
  - Precise exception handling
  - Branch processing unit
    - Dedicated branch address calculation adder
    - Branch acceleration using Branch Lookahead Instruction Buffer
  - Load/store unit
    - One-cycle load latency
    - Fully pipelined
    - Big and Little Endian support
    - Misaligned access support
    - Zero load-to-use pipeline bubbles
  - Thirty-two 64-bit general purpose registers (GPRs)
  - Memory management unit (MMU) with 16-entry fully-associative translation look-aside buffer (TLB)
  - Separate instruction bus and load/store bus
  - Vectored interrupt support
  - Interrupt latency  $< 120$  ns @ 80 MHz (measured from interrupt request to execution of first instruction of interrupt exception handler)

- Non-maskable interrupt (NMI) input for handling external events that must produce an immediate response, e.g., power down detection. On this device, the NMI input is connected to the Critical Interrupt Input. (May not be recoverable)
- Critical Interrupt input. For external interrupt sources that are higher priority than provided by the Interrupt Controller. (Always recoverable)
- New 'Wait for Interrupt' instruction, to be used with new low power modes
- Reservation instructions for implementing read-modify-write accesses
- Signal processing extension (SPE) APU
  - Operating on all 32 GPRs that are all extended to 64 bits wide
  - Provides a full compliment of vector and scalar integer and floating point arithmetic operations (including integer vector MAC and MUL operations) (SIMD)
  - Provides rich array of extended 64-bit loads and stores to/from extended GPRs
  - Fully code compatible with e200z6 core
- Floating point (FPU)
  - IEEE 754 compatible with software wrapper
  - Scalar single precision in hardware, double precision with software library
  - Conversion instructions between single precision floating point and fixed point
  - Fully code compatible with e200z6 core
- Long cycle time instructions, except for guarded loads, do not increase interrupt latency
- Extensive system development support through Nexus debug port
- Advanced microcontroller bus architecture (AMBA) crossbar switch (XBAR)
  - Three master ports, four slave ports
  - Masters: CPU Instruction bus; CPU Load/store bus (Nexus); eDMA
  - Slave: Flash; SRAM; Peripheral Bridge; calibration EBI
  - 32-bit internal address bus, 64-bit internal data bus
- Enhanced direct memory access (eDMA) controller
  - 32 channels support independent 8-bit, 16-bit, or 32-bit single value or block transfers
  - Supports variable sized queues and circular queues
  - Source and destination address registers are independently configured to post-increment or remain constant
  - Each transfer is initiated by a peripheral, CPU, or eDMA channel request
  - Each eDMA channel can optionally send an interrupt request to the CPU on completion of a single value or block transfer
- Interrupt controller (INTC)
  - 191 peripheral interrupt request sources
  - 8 software settable interrupt request sources
  - 9-bit vector
    - Unique vector for each interrupt request source

- Provided by hardware connection to processor or read from register
- Each interrupt source can be programmed to one of 16 priorities
- Preemption
  - Preemptive prioritized interrupt requests to processor
  - ISR at a higher priority preempts ISRs or tasks at lower priorities
  - Automatic pushing or popping of preempted priority to or from a LIFO
  - Ability to modify the ISR or task priority. Modifying the priority can be used to implement the Priority Ceiling Protocol for accessing shared resources.
- Low latency—three clocks from receipt of interrupt request from peripheral to interrupt request to processor
- Frequency Modulating Phase-locked loop (FMPLL)
  - Reference clock pre-divider (PREDIV) for finer frequency synthesis resolution
  - Reduced frequency divider (RFD) for reducing the FMPLL output clock frequency without forcing the FMPLL to re-lock
  - System clock divider (SYSDIV) for reducing the system clock frequency in normal or bypass mode
  - Input clock frequency range from 4 MHz to 20 MHz before the pre-divider, and from 4 MHz to 16 MHz at the FMPLL input
  - Voltage controlled oscillator (VCO) range from 256 MHz to 512 MHz
  - VCO free-running frequency range from 25 MHz to 125 MHz
  - Four bypass modes: crystal or external reference with PLL on or off
  - Two normal modes: crystal or external reference
  - Programmable frequency modulation
    - Triangle wave modulation
    - Register programmable modulation frequency and depth
  - Lock detect circuitry reports when the FMPLL has achieved frequency lock and continuously monitors lock status to report loss of lock conditions
    - User-selectable ability to generate an interrupt request upon loss of lock
    - User-selectable ability to generate a system reset upon loss of lock
  - Clock quality monitor (CQM) module provides loss-of-clock detection for the FMPLL reference and output clocks
    - User-selectable ability to generate an interrupt request upon loss of clock
    - User-selectable ability to generate a system reset upon loss of clock
    - Backup clock (reference clock or FMPLL free-running) can be applied to the system in case of loss of clock
- Calibration bus interface (EBI)
  - Available only in the calibration package (496 CSP package)
  - 1.8 V to 3.3 V  $\pm$  10% I/O (1.6 V to 3.6 V)
  - Memory controller with support for various memory types
  - 16-bit data bus, up to 22-bit address bus
  - Selectable drive strength
  - Configurable bus speed modes
  - Bus monitor
  - Configurable wait states

- System integration unit (SIU)
  - Centralized GPIO control of 80 I/O pins
  - Centralized pad control on a per-pin basis
    - Pin function selection
    - Configurable weak pull-up or pull-down
    - Drive strength
    - Slew rate
    - Hysteresis
  - System reset monitoring and generation
  - External interrupt inputs, filtering and control
  - Critical Interrupt control
  - Non-Maskable Interrupt control
  - Internal multiplexer subblock (IMUX)
    - Allows flexible selection of eQADC trigger inputs (eTPU, eMIOS and external signals)
    - Allows selection of interrupt requests between external pins and DSPI
- Error correction status module (ECSM)
  - Configurable error-correcting codes (ECC) reporting
  - Single-bit error correction reporting
- On-chip flash memory
  - Up to 1.5 MB flash memory, accessed via a 64-bit wide bus interface
  - 16 KB shadow block
  - Fetch Accelerator
    - Provide single cycle flash access at 80 MHz
    - Quadruple 128-bit wide prefetch/burst buffers
    - Prefetch buffers can be configured to prefetch code or data or both
  - Sensorship protection scheme to prevent flash content visibility
  - Flash divided into two independent arrays, allowing reading from one array while erasing/programming the other array (used for EEPROM emulation)
  - Memory block:
    - For SPC563M64: 18 blocks (4 × 16 KB, 2 × 32 KB, 2 × 64 KB, 10 × 128 KB)
    - For SPC563M60: 14 blocks (4 × 16 KB, 2 × 32 KB, 2 × 64 KB, 6 × 128 KB)
  - Hardware programming state machine
- On-chip static RAM
  - For SPC563M64: 94 KB general purpose RAM of which 32 KB are on standby power supply
  - For SPC563M60: 64 KB general purpose RAM of which 32 KB are on standby power supply
- Boot assist module (BAM)
  - Enables and manages the transition of MCU from reset to user code execution in the following configurations:
    - Execution from internal flash memory
    - Execution from external memory on the calibration bus
    - Download and execution of code via FlexCAN or eSCI

- Periodic interrupt timer (PIT)
  - 32-bit wide down counter with automatic reload
  - Four channels clocked by system clock
  - One channel clocked by crystal clock
  - Each channel can produce periodic software interrupt
  - Each channel can produce periodic triggers for eQADC queue triggering
  - One channel out of the five can be used as wake-up timer to wake device from low power stop mode
- System timer module (STM)
  - 32-bit up counter with 8-bit prescaler
  - Clocked from system clock
  - Four-channel timer compare hardware
  - Each channel can generate a unique interrupt request
  - Designed to address AUTOSAR task monitor function
- Software watchdog timer (SWT)
  - 32-bit timer
  - Clock by system clock or crystal clock
  - Can generate either system reset or non-maskable interrupt followed by system reset
  - Enabled out of reset
- Enhanced modular I/O system (eMIOS)
  - 16 timer channels (up to 14 channels in LQFP144)
  - 24-bit timer resolution
  - 3 selectable time bases plus shared time or angle counter bus from eTPU2
  - DMA and interrupt request support
  - Motor control capability
- Second-generation enhanced time processor unit (eTPU2)
  - Object-code compatible with eTPU—no changes are required to hardware or software if only eTPU features are used
  - Intelligent co-processor designed for timing control
  - High level tools, assembler and compiler available
  - 32 channels (each channel has dedicated I/O pin in all packages)
  - 24-bit timer resolution
  - 14 KB code memory and 3 KB data memory
  - Double match and capture on all channels
  - Angle clock hardware support
  - Shared time or angle counter bus with eMIOS
  - DMA and interrupt request support
  - Nexus Class 1 debug support
  - eTPU2 enhancements
    - Counters and channels can run at full system clock speed
    - Software watchdog
    - Real-time performance monitor

- Instruction set enhancements for smaller more flexible code generation
- Programmable channel mode for customization of channel operation
- Enhanced queued A/D converter (eQADC)
  - Two independent on-chip redundant signed digit (RSD) cyclic ADCs
    - 8-, 10-, and 12-bit resolution
      - Differential conversions
      - Targets up to 10-bit accuracy at 500 KSample/s (ADC\_CLK = 7.5 MHz) and 8-bit accuracy at 1 MSample/s (ADC\_CLK = 15 MHz) for differential conversions
      - Differential channels include variable gain amplifier (VGA) for improved dynamic range (×1; ×2; ×4)
      - Differential channels include programmable pull-up and pull-down resistors for biasing and sensor diagnostics (200 kΩ; 100 kΩ; low value of 5 kΩ)
      - Single-ended signal range from 0 to 5 V
      - Sample times of 2 (default), 8, 64 or 128 ADC clock cycles
      - Provides time stamp information when requested
      - Parallel interface to eQADC command FIFOs (CFIFOs) and result FIFOs (RFIFOs)
      - Supports both right-justified unsigned and signed formats for conversion results
      - Temperature sensor to enable measurement of die temperature
      - Ability to measure all power supply pins directly
  - Automatic application of ADC calibration constants
    - Provision of reference voltages (25% VREF and 75% VREF) for ADC calibration purposes
  - Up to 34<sup>(b)</sup> input channels available to the two on-chip ADCs
  - Four pairs of differential analog input channels
  - Full duplex synchronous serial interface to an external device
    - Has a free-running clock for use by the external device
    - Supports a 26-bit message length
    - Transmits a null message when there are no triggered CFIFOs with commands bound for external CBuffers, or when there are triggered CFIFOs with commands bound for external CBuffers but the external CBuffers are full
  - Parallel Side Interface to communicate with an on-chip companion module
  - Zero jitter triggering for queue 0. (Queue 0 trigger causes current conversion to be aborted and the queued conversions in the CBUFFER to be bypassed. Delay from Trigger to start of conversion is 13 system clocks + 1 ADC clock.)
  - eQADC Result Streaming. Generation of a continuous stream of ADC conversion results from a single eQADC command word. Controlled by two different trigger signals; one to define the rate at which results are generated and the other to define the beginning and ending of the stream. Used to digitize waveforms during specific time/angle windows, e.g., engine knock sensor sampling.

---

b. 176-pin package has 34 input channels; 144-pin package has 32 input channels; 100-pin package has 23 input channels.



- Angular Decimation. The ability of the eQADC to sample an analog waveform in the time domain, perform Finite Impulse Response (FIR) or Infinite Impulse Response (IIR) filtering also in the time domain, but to down sample the results in the angle domain. Resulting in a time domain filtered result at a given engine angle.
- Priority Based CFIFOs
  - Supports six CFIFOs with fixed priority. The lower the CFIFO number, the higher its priority. When commands of distinct CFIFOs are bound for the same CBuffer, the higher priority CFIFO is always served first.
  - Supports software and several hardware trigger modes to arm a particular CFIFO
  - Generates interrupt when command coherency is not achieved
- External Hardware Triggers
  - Supports rising edge, falling edge, high level and low level triggers
  - Supports configurable digital filter
- Supports four external 8-to-1 muxes which can expand the input channel number from 34<sup>(c)</sup> to 59
- Two deserial serial peripheral interface modules (DSPI)
  - SPI
    - Full duplex communication ports with interrupt and DMA request support
    - Support for queues in RAM
    - 6 chip selects, expandable to 64 with external demultiplexers
    - Programmable frame size, baud rate, clock delay and clock phase on a per frame basis
    - Modified SPI mode for interfacing to peripherals with longer setup time requirements
    - LVDS option for output clock and data to allow higher speed communication
  - Deserial serial interface (DSI)
    - Pin reduction by hardware serialization and deserialization of eTPU, eMIOS channels and GPIO
    - 32 bits per DSPI module
    - Triggered transfer control and change in data transfer control (for reduced EMI)
    - Compatible with Microsecond Channel Version 1.0 downstream
- Two enhanced serial communication interface (eSCI) modules
  - UART mode provides NRZ format and half or full duplex interface
  - eSCI bit rate up to 1 Mbps
  - Advanced error detection, and optional parity generation and detection
  - Word length programmable as 8, 9, 12 or 13 bits
  - Separately enabled transmitter and receiver
  - LIN support
  - DMA support
  - Interrupt request support

---

c.176-pin package.

- Programmable clock source: system clock or oscillator clock
- Support Microsecond Channel (Timed Serial Bus - TSB) upstream Version 1.0
- Two FlexCAN
  - One with 32 message buffers; the second with 64 message buffers
  - Full implementation of the CAN protocol specification, Version 2.0B
  - Programmable acceptance filters
  - Short latency time for high priority transmit messages
  - Arbitration scheme according to message ID or message buffer number
  - Listen only mode capabilities
  - Programmable clock source: system clock or oscillator clock
  - Message buffers may be configured as mailboxes or as FIFO
- Nexus port controller (NPC)
  - Per IEEE-ISTO 5001-2003
  - Real time development support for Power Architecture core and eTPU engine through Nexus class 2/1
  - Read and write access (Nexus class 3 feature that is supported on this device)
    - Run-time access of entire memory map
    - Calibration
  - Support for data value breakpoints / watchpoints
    - Run-time access of entire memory map
    - Calibration
    - Table constants calibrated using MMU and internal and external RAM
    - Scalar constants calibrated using cache line locking
  - Configured via the IEEE 1149.1 (JTAG) port
- IEEE 1149.1 JTAG controller (JTAGC)
  - IEEE 1149.1-2001 Test Access Port (TAP) interface
  - 5-bit instruction register that supports IEEE 1149.1-2001 defined instructions
  - 5-bit instruction register that supports additional public instructions
  - Three test data registers: a bypass register, a boundary scan register, and a device identification register
  - Censorship disable register. By writing the 64-bit serial boot password to this register, Censorship may be disabled until the next reset
  - TAP controller state machine that controls the operation of the data registers, instruction register and associated circuitry
- On-chip Voltage Regulator for single 5 V supply operation
  - On-chip regulator 5 V to 3.3 V for internal supplies
  - On-chip regulator controller 5 V to 1.2 V (with external bypass transistor) for core logic
- Low-power modes
  - SLOW Mode. Allows device to be run at very low speed (approximately 1 MHz), with modules (including the PLL) selectively disabled in software
  - STOP Mode. System clock stopped to all modules including the CPU. Wake-up timer used to restart the system clock after a predetermined time

## 2.3 SPC563Mxx feature details

### 2.3.1 e200z335 core

The e200z335 processor utilizes a four stage pipeline for instruction execution. The Instruction Fetch (stage 1), Instruction Decode/Register file Read/Effective Address Calculation (stage 2), Execute/Memory Access (stage 3), and Register Writeback (stage 4) stages operate in an overlapped fashion, allowing single clock instruction execution for most instructions.

The integer execution unit consists of a 32-bit Arithmetic Unit (AU), a Logic Unit (LU), a 32-bit Barrel shifter (Shifter), a Mask-Insertion Unit (MIU), a Condition Register manipulation Unit (CRU), a Count-Leading-Zeros unit (CLZ), a 32×32 Hardware Multiplier array, result feed-forward hardware, and support hardware for division.

Most arithmetic and logical operations are executed in a single cycle with the exception of the divide instructions. A Count-Leading-Zeros unit operates in a single clock cycle. The Instruction Unit contains a PC incremter and a dedicated Branch Address adder to minimize delays during change of flow operations. Sequential prefetching is performed to ensure a supply of instructions into the execution pipeline. Branch target prefetching is performed to accelerate taken branches. Prefetched instructions are placed into an instruction buffer capable of holding six instructions.

Branches can also be decoded at the instruction buffer and branch target addresses calculated prior to the branch reaching the instruction decode stage, allowing the branch target to be prefetched early. When a branch is detected at the instruction buffer, a prediction may be made on whether the branch is taken or not. If the branch is predicted to be taken, a target fetch is initiated and its target instructions are placed in the instruction buffer following the branch instruction. Many branches take zero cycle to execute by using branch folding. Branches are folded out from the instruction execution pipe whenever possible. These include unconditional branches and conditional branches with condition codes that can be resolved early.

Conditional branches which are not taken and not folded execute in a single clock. Branches with successful target prefetching which are not folded have an effective execution time of one clock. All other taken branches have an execution time of two clocks. Memory load and store operations are provided for byte, halfword, and word (32-bit) data with automatic zero or sign extension of byte and halfword load data as well as optional byte reversal of data. These instructions can be pipelined to allow effective single cycle throughput. Load and store multiple word instructions allow low overhead context save and restore operations. The load/store unit contains a dedicated effective address adder to allow effective address generation to be optimized. Also, a load-to-use dependency does not incur any pipeline bubbles for most cases.

The Condition Register unit supports the condition register (CR) and condition register operations defined by the Power Architecture. The condition register consists of eight 4-bit fields that reflect the results of certain operations, such as move, integer and floating-point compare, arithmetic, and logical instructions, and provide a mechanism for testing and branching. Vectored and autovectored interrupts are supported by the CPU. Vectored interrupt support is provided to allow multiple interrupt sources to have unique interrupt handlers invoked with no software overhead.

The hardware floating-point unit utilizes the IEEE-754 single-precision floating-point format and supports single-precision floating-point operations in a pipelined fashion. The general purpose register file is used for source and destination operands, thus there is a unified

storage model for single-precision floating-point data types of 32 bits and the normal integer type. Single-cycle floating-point add, subtract, multiply, compare, and conversion operations are provided. Divide instructions are multi-cycle and are not pipelined.

The Signal Processing Extension (SPE) Auxiliary Processing Unit (APU) provides hardware SIMD operations and supports a full complement of dual integer arithmetic operation including Multiply Accumulate (MAC) and dual integer multiply (MUL) in a pipelined fashion. The general purpose register file is enhanced such that all 32 of the GPRs are extended to 64 bits wide and are used for source and destination operands, thus there is a unified storage model for 32×32 MAC operations which generate greater than 32-bit results.

The majority of both scalar and vector operations (including MAC and MUL) are executed in a single clock cycle. Both scalar and vector divides take multiple clocks. The SPE APU also provides extended load and store operations to support the transfer of data to and from the extended 64-bit GPRs.

The CPU includes support for Variable Length Encoding (VLE) instruction enhancements. This enables the classic Power Architecture instruction set to be represented by a modified instruction set made up from a mixture of 16- and 32-bit instructions. This results in a significantly smaller code size footprint without noticeably affecting performance. The Power Architecture instruction set and VLE instruction set are available concurrently. Regions of the memory map are designated as PPC or VLE using an additional configuration bit in each of Table Look-aside Buffers (TLB) entries in the MMU.

The CPU core is enhanced by the addition of two additional interrupt sources; Non-Maskable Interrupt and Critical Interrupt. These two sources are routed directly from package pins, via edge detection logic in the SIU to the CPU, bypassing completely the Interrupt Controller. Once the edge detection logic is programmed, it cannot be disabled, except by reset. The non-maskable Interrupt is, as the name suggests, completely un-maskable and when asserted will always result in the immediate execution of the respective interrupt service routine. The non-maskable interrupt is not guaranteed to be recoverable. The Critical Interrupt is very similar to the non-maskable interrupt, but it can be masked by other exceptional interrupts in the CPU and is guaranteed to be recoverable (code execution may be resumed from where it stopped).

The CPU core has an additional 'Wait for Interrupt' instruction that is used in conjunction with low power STOP mode. When Low Power Stop mode is selected, this instruction is executed to allow the system clock to be stopped. An external interrupt source or the system wake-up timer is used to restart the system clock and allow the CPU to service the interrupt.

### 2.3.2 Crossbar

The XBAR multi-port crossbar switch supports simultaneous connections between three master ports and four slave ports. The crossbar supports a 32-bit address bus width and a 64-bit data bus width.

The crossbar allows three concurrent transactions to occur from the master ports to any slave port; but each master must access a different slave. If a slave port is simultaneously requested by more than one master port, arbitration logic selects the higher priority master and grants it ownership of the slave port. All other masters requesting that slave port are stalled until the higher priority master completes its transactions. Requesting masters are treated with equal priority and are granted access to a slave port in round-robin fashion,

based upon the ID of the last master to be granted access. The crossbar provides the following features:

- 3 master ports:
  - e200z335 core complex Instruction port
  - e200z335 core complex Load/Store port
  - eDMA
- 4 slave ports
  - FLASH
  - Calibration bus
  - SRAM
  - Peripheral bridge A/B (eTPU2, eMIOS, SIU, DSPI, eSCI, FlexCAN, eQADC, BAM, decimation filter, PIT, STM and SWT)
- 32-bit internal address, 64-bit internal data paths

### 2.3.3 eDMA

The enhanced direct memory access (eDMA) controller is a second-generation module capable of performing complex data movements via 32 programmable channels, with minimal intervention from the host processor. The hardware micro architecture includes a DMA engine which performs source and destination address calculations, and the actual data movement operations, along with an SRAM-based memory containing the transfer control descriptors (TCD) for the channels. This implementation is utilized to minimize the overall block size. The eDMA module provides the following features:

- All data movement via dual-address transfers: read from source, write to destination
- Programmable source and destination addresses, transfer size, plus support for enhanced addressing modes
- Transfer control descriptor organized to support two-deep, nested transfer operations
- An inner data transfer loop defined by a “minor” byte transfer count
- An outer data transfer loop defined by a “major” iteration count
- Channel activation via one of three methods:
  - Explicit software initiation
  - Initiation via a channel-to-channel linking mechanism for continuous transfers
  - Peripheral-paced hardware requests (one per channel)
- Support for fixed-priority and round-robin channel arbitration
- Channel completion reported via optional interrupt requests
- 1 interrupt per channel, optionally asserted at completion of major iteration count
- Error termination interrupts are optionally enabled
- Support for scatter/gather DMA processing
- Channel transfers can be suspended by a higher priority channel

### 2.3.4 Interrupt controller

The INTC (interrupt controller) provides priority-based preemptive scheduling of interrupt requests, suitable for statically scheduled hard real-time systems. The INTC allows interrupt request servicing from up to 191 peripheral interrupt request sources, plus 165 sources reserved for compatibility with other family members).

For high priority interrupt requests, the time from the assertion of the interrupt request from the peripheral to when the processor is executing the interrupt service routine (ISR) has been minimized. The INTC provides a unique vector for each interrupt request source for quick determination of which ISR needs to be executed. It also provides an ample number of priorities so that lower priority ISRs do not delay the execution of higher priority ISRs. To allow the appropriate priorities for each source of interrupt request, the priority of each interrupt request is software configurable.

When multiple tasks share a resource, coherent accesses to that resource need to be supported. The INTC supports the priority ceiling protocol for coherent accesses. By providing a modifiable priority mask, the priority can be raised temporarily so that all tasks which share the resource can not preempt each other.

Multiple processors can assert interrupt requests to each other through software settable interrupt requests. These same software settable interrupt requests also can be used to break the work involved in servicing an interrupt request into a high priority portion and a low priority portion. The high priority portion is initiated by a peripheral interrupt request, but then the ISR asserts a software settable interrupt request to finish the servicing in a lower priority ISR. Therefore these software settable interrupt requests can be used instead of the peripheral ISR scheduling a task through the RTOS.

The INTC provides the following features:

- 356 peripheral interrupt request sources
- 8 software settable interrupt request sources
- 9-bit vector addresses
- Unique vector for each interrupt request source
- Hardware connection to processor or read from register
- Each interrupt source can be programmed to one of 16 priorities
- Preemptive prioritized interrupt requests to processor
- ISR at a higher priority preempts executing ISRs or tasks at lower priorities
- Automatic pushing or popping of preempted priority to or from a LIFO
- Ability to modify the ISR or task priority to implement the priority ceiling protocol for accessing shared resources
- Low latency—three clocks from receipt of interrupt request from peripheral to interrupt request to processor

This device also includes a Non-Maskable Interrupt (NMI) pin that bypasses the INTC and multiplexing logic.

### 2.3.5 FMPLL

The FMPLL allows the user to generate high speed system clocks from a 4 MHz to 20 MHz crystal oscillator or external clock generator. Further, the FMPLL supports programmable frequency modulation of the system clock. The PLL multiplication factor, output clock divider ratio are all software configurable. The PLL has the following major features:

- Input clock frequency from 4 MHz to 20 MHz
- Voltage controlled oscillator (VCO) range from 256 MHz to 512 MHz, resulting in system clock frequencies from 16 MHz to 80 MHz with granularity of 4 MHz or better
- Reduced frequency divider (RFD) for reduced frequency operation without forcing the PLL to relock

- 3 modes of operation
  - Bypass mode with PLL off
  - Bypass mode with PLL running (default mode out of reset)
  - PLL normal mode
- Each of the three modes may be run with a crystal oscillator or an external clock reference
- Programmable frequency modulation
  - Modulation enabled/disabled through software
  - Triangle wave modulation up to 100 kHz modulation frequency
  - Programmable modulation depth (0% to 2% modulation depth)
  - Programmable modulation frequency dependent on reference frequency
- Lock detect circuitry reports when the PLL has achieved frequency lock and continuously monitors lock status to report loss of lock conditions
- Clock Quality Module
  - detects the quality of the crystal clock and cause interrupt request or system reset if error is detected
  - detects the quality of the PLL output clock. If an error is detected, causes a system reset or switches the system clock to the crystal clock and causes an interrupt request
- Programmable interrupt request or system reset on loss of lock

### 2.3.6 Calibration EBI

The Calibration EBI controls data transfer across the crossbar switch to/from memories or peripherals attached to the calibration tool connector in the calibration address space. The Calibration EBI is only available in the calibration tool. The Calibration EBI includes a memory controller that generates interface signals to support a variety of external memories. The Calibration EBI memory controller supports legacy flash, SRAM, and asynchronous memories. In addition, the calibration EBI supports up to three regions via chip selects (two chip selects are multiplexed with two address bits), along with programmed region-specific attributes. The calibration EBI supports the following features:

- 22-bit address bus (two most significant signals multiplexed with two chip selects)
- 16-bit data bus
- Multiplexed mode with addresses and data signals present on the data lines

*Note: The calibration EBI must be configured in multiplexed mode when the extended Nexus trace is used on the calibration tool. This is because Nexus signals and address lines of the calibration bus share the same balls in the calibration package.*

- Memory controller with support for various memory types:
  - Asynchronous/legacy flash and SRAM
- Bus monitor
  - User selectable
  - Programmable timeout period (with 8 external bus clock resolution)
- Configurable wait states (via chip selects)
- 3 chip-select (Cal\_CS[0], Cal\_CS[2:3]) signals (Multiplexed with 2 most significant address signals)

- 2 write/byte enable (WE[0:1]/BE[0:1]) signals
- Configurable bus speed modes
  - system frequency
  - 1/2 of system frequency
  - 1/4 of system frequency
- Optional automatic CLKOUT gating to save power and reduce EMI
- Selectable drive strengths; 10 pF, 20 pF, 30 pF, 50 pF

### 2.3.7 SIU

The SPC563Mxx SIU controls MCU reset configuration, pad configuration, external interrupt, general purpose I/O (GPIO), internal peripheral multiplexing, and the system reset operation. The reset configuration block contains the external pin boot configuration logic. The pad configuration block controls the static electrical characteristics of I/O pins. The GPIO block provides uniform and discrete input/output control of the I/O pins of the MCU. The reset controller performs reset monitoring of internal and external reset sources, and drives the RSTOUT pin. Communication between the SIU and the e200z335 CPU core is via the crossbar switch. The SIU provides the following features:

- System configuration
  - MCU reset configuration via external pins
  - Pad configuration control for each pad
  - Pad configuration control for virtual I/O via DSPI serialization
- System reset monitoring and generation
  - Power-on reset support
  - Reset status register provides last reset source to software
  - Glitch detection on reset input
  - Software controlled reset assertion
- External interrupt
  - 11 interrupt requests
  - Rising or falling edge event detection
  - Programmable digital filter for glitch rejection
  - Critical Interrupt request
  - Non-Maskable Interrupt request
- GPIO
  - GPIO function on 80 I/O pins
  - Virtual GPIO on 64 I/O pins via DSPI serialization (requires external deserialization device)
  - Dedicated input and output registers for setting each GPIO and Virtual GPIO pin
- Internal multiplexing
  - Allows serial and parallel chaining of DSPIs
  - Allows flexible selection of eQADC trigger inputs
  - Allows selection of interrupt requests between external pins and DSPI



### 2.3.8 ECSM

The error correction status module provides status information regarding platform memory errors reported by error-correcting codes.

### 2.3.9 Flash

Devices in the SPC563Mxx family provide up to 1.5 MB of programmable, non-volatile, flash memory. The non-volatile memory (NVM) can be used for instruction and/or data storage. The flash module includes a Fetch Accelerator, that optimizes the performance of the flash array to match the CPU architecture and provides single cycle random access to the Flash @ 80 MHz. The Flash module interfaces the system bus to a dedicated Flash memory array controller. For CPU 'loads', DMA transfers and CPU instruction fetch, it supports a 64-bit data bus width at the system bus port, and a 128-bit read data interface to Flash memory. The module contains a four-entry, 128-bit prefetch buffer and a prefetch controller which prefetches sequential lines of data from the Flash array into the buffer. Prefetch buffer hits allow no-wait responses. Normal Flash array accesses are registered and are forwarded to the system bus on the following cycle, incurring three wait-states. Prefetch operations may be automatically controlled, and are restricted to instruction fetch.

The Flash memory provides the following features:

- Supports a 64-bit data bus for instruction fetch, CPU loads and DMA access. Byte, halfword, word and doubleword reads are supported. Only aligned word and doubleword writes are supported.
- Fetch Accelerator
  - Architected to optimize the performance of the Flash with the CPU to provide single cycle random access to the Flash up to 80 MHz system clock speed
  - Configurable read buffering and line prefetch support
  - Four line read buffers (128 bits wide) and a prefetch controller
- Hardware and software configurable read and write access protections on a per-master basis
- Interface to the Flash array controller is pipelined with a depth of one, allowing overlapped accesses to proceed in parallel for interleaved or pipelined flash array designs
- Configurable access timing allowing use in a wide range of system frequencies
- Multiple-mapping support and mapping-based block access timing (0-31 additional cycles) allowing use for emulation of other memory types
- Software programmable block program/erase restriction control
- Erase of selected block(s)
- Read page size of 128 bits (four words)
- ECC with single-bit correction, double-bit detection
- Program page size of 64 bits (two words)
- ECC single-bit error corrections are visible to software
- Minimum program size is two consecutive 32-bit words, aligned on a 0-modulo-8 byte address, due to ECC
- Embedded hardware program and erase algorithm
- Erase suspend

- Shadow information stored in non-volatile shadow block
- Independent program/erase of the shadow block

### 2.3.10 SRAM

The SPC563Mxx SRAM module provides a general-purpose up to 94 KB memory block. The SRAM controller includes these features:

- Supports read/write accesses mapped to the SRAM memory from any master
- 32 KB block powered by separate supply for standby operation
- Byte, halfword, word and double word addressable
- ECC performs single-bit correction, double-bit detection on 32-bit data element

### 2.3.11 BAM

The BAM (Boot Assist Module) is a block of read-only memory that is programmed once by ST and is identical for all SPC563Mxx MCUs. The BAM program is executed every time the MCU is powered-on or reset in normal mode. The BAM supports different modes of booting. They are:

- Booting from internal flash memory
- Serial boot loading (A program is downloaded into RAM via eSCI or the FlexCAN and then executed)
- Booting from external memory on calibration bus

The BAM also reads the reset configuration half word (RCHW) from internal flash memory and configures the SPC563Mxx hardware accordingly. The BAM provides the following features:

- Sets up MMU to cover all resources and mapping all physical address to logical addresses with minimum address translation
- Sets up the MMU to allow user boot code to execute as either Power Architecture code (default) or as VLE code
- Detection of user boot code
- Automatic switch to serial boot mode if internal flash is blank or invalid
- Supports user programmable 64-bit password protection for serial boot mode
- Supports serial bootloading via FlexCAN bus and eSCI using fixed baudrate protocol
- Supports serial bootloading via FlexCAN bus and eSCI with auto baud rate sensing
- Supports serial bootloading of either Power Architecture code (default) or VLE code
- Supports booting from calibration bus interface
- Supports censorship protection for internal flash memory
- Provides an option to enable the core watchdog timer
- Provides an option to disable the software watchdog timer

### 2.3.12 eMIOS

The eMIOS (Enhanced Modular Input Output System) module provides the functionality to generate or measure time events. The channels on this module provide a range of operating modes including the capability to perform dual input capture or dual output compare as well as PWM output.

The eMIOS provides the following features:

- 16 channels (24-bit timer resolution)
- For compatibility with other family members selected channels and timebases are implemented:
  - Channels 0 to 6, 8 to 15, and 23
  - Timebases A, B and C
- Channels 1, 3, 5 and 6 support modes:
  - General Purpose Input/Output (GPIO)
  - Single Action Input Capture (SAIC)
  - Single Action Output Compare (SAOC)
- Channels 2, 4, 11 and 13 support all the modes above plus:
  - Output Pulse Width Modulation Buffered (OPWMB)
- Channels 0, 8, 9, 10, 12, 14, 15, 23 support all the modes above plus:
  - Input Period Measurement (IPM)
  - Input Pulse Width Measurement (IPWM)
  - Double Action Output Compare (set flag on both matches) (DAOC)
  - Modulus Counter Buffered (MCB)
  - Output Pulse Width and Frequency Modulation Buffered (OPWFMB)
- Three 24-bit wide counter buses
  - Counter bus A can be driven by channel 23 or by the eTPU2 and all channels can use it as a reference
  - Counter bus B is driven by channel 0 and channels 0 to 6 can use it as a reference
  - Counter bus C is driven by channel 8 and channels 8 to 15 can use it as a reference
- Shared time bases with the eTPU2 through the counter buses
- Synchronization among internal and external time bases

### 2.3.13 eTPU2

The eTPU2 is an enhanced co-processor designed for timing control. Operating in parallel with the host CPU, eTPU2 processes instructions and real-time input events, performs output waveform generation, and accesses shared data without host intervention. Consequently, for each timer event, the host CPU setup and service times are minimized or eliminated. A powerful timer subsystem is formed by combining the eTPU2 with its own instruction and data RAM. High-level assembler/compiler and documentation allows customers to develop their own functions on the eTPU2.

The eTPU2 includes these distinctive features:

- The Timer Counter (TCR1), channel logic and digital filters (both channel and the external timer clock input [TCRCLK]) now have an option to run at full system clock speed or system clock / 2.
- Channels support unordered transitions: transition 2 can now be detected before transition 1. Related to this enhancement, the transition detection latches (TDL1 and TDL2) can now be independently negated by microcode.

- A new User Programmable Channel Mode has been added: the blocking, enabling, service request and capture characteristics of this channel mode can be programmed via microcode.
- Microinstructions now provide an option to issue Interrupt and Data Transfer requests selected by channel. They can also be requested simultaneously at the same instruction.
- Channel Flags 0 and 1 can now be tested for branching, in addition to selecting the entry point.
- Channel digital filters can be bypassed.
- The Timer Counter (TCR1), channel logic and digital filters (both channel and the external timer clock input [TCRCLK]) now have an option to run at full system clock speed or system clock / 2.
- Channels support unordered transitions: transition 2 can now be detected before transition 1. Related to this enhancement, the transition detection latches (TDL1 and TDL2) can now be independently negated by microcode.
- A new User Programmable Channel Mode has been added: the blocking, enabling, service request and capture characteristics of this channel mode can be programmed via microcode.
- Microinstructions now provide an option to issue Interrupt and Data Transfer requests selected by channel. They can also be requested simultaneously at the same instruction.
- Channel Flags 0 and 1 can now be tested for branching, in addition to selecting the entry point.
- Channel digital filters can be bypassed.
- 32 channels, each channel is associated with one input and one output signal
  - Enhanced input digital filters on the input pins for improved noise immunity.
  - Identical, orthogonal channels: each channel can perform any time function. Each time function can be assigned to more than one channel at a given time, so each signal can have any functionality.
  - Each channel has an event mechanism which supports single and double action functionality in various combinations. It includes two 24-bit capture registers, two 24-bit match registers, 24-bit greater-equal and equal-only comparators
  - Input and output signal states visible from the host
- 2 independent 24-bit time bases for channel synchronization:
  - First time base clocked by system clock with programmable prescale division from 2 to 512 (in steps of 2), or by output of second time base prescaler
  - Second time base counter can work as a continuous angle counter, enabling angle based applications to match angle instead of time
  - Both time bases can be exported to the eMIOS timer module
  - Both time bases visible from the host
- Event-triggered microengine:
  - Fixed-length instruction execution in two-system-clock microcycle
  - 14 KB of code memory (SCM)
  - 3 KB of parameter (data) RAM (SPRAM)
  - Parallel execution of data memory, ALU, channel control and flow control sub-instructions in selected combinations

- 32-bit microengine registers and 24-bit wide ALU, with 1 microcycle addition and subtraction, absolute value, bitwise logical operations on 24-bit, 16-bit, or byte operands, single-bit manipulation, shift operations, sign extension and conditional execution
- Additional 24-bit Multiply/MAC/Divide unit which supports all signed/unsigned Multiply/MAC combinations, and unsigned 24-bit divide. The MAC/Divide unit works in parallel with the regular microcode commands
- Resource sharing features support channel use of common channel registers, memory and micro engine time:
  - Hardware scheduler works as a “task management” unit, dispatching event service routines by predefined, host-configured priority
  - Automatic channel context switch when a “task switch” occurs, i.e., one function thread ends and another begins to service a request from other channel: channel-specific registers, flags and parameter base address are automatically loaded for the next serviced channel
  - SPRAM shared between host CPU and eTPU2, supporting communication either between channels and host or inter-channel
  - Dual-parameter coherency hardware support allows atomic access to two parameters by host
- Test and development support features:
  - Nexus Class 1 debug, supporting single-step execution, arbitrary microinstruction execution, hardware breakpoints and watchpoints on several conditions
  - Software breakpoints
  - SCM continuous signature-check built-in self test (MISC — multiple input signature calculator), runs concurrently with eTPU2 normal operation
- System enhancements
  - Software watchdog with programmable timeout
  - Real-time performance information
- Channel enhancements
  - Channels 1 and 2 can optionally drive angle clock hardware
- Programming enhancements
  - Engine relative addressing mode

### 2.3.14 eQADC

The enhanced queued analog to digital converter (eQADC) block provides accurate and fast conversions for a wide range of applications. The eQADC provides a parallel interface to two on-chip analog to digital converters (ADC), and a single master to single slave serial interface to an off-chip external device. Both on-chip ADCs have access to all the analog channels.

The eQADC prioritizes and transfers commands from six command conversion command ‘queues’ to the on-chip ADCs or to the external device. The block can also receive data from the on-chip ADCs or from an off-chip external device into the six result queues, in parallel, independently of the command queues. The six command queues are prioritized with Queue\_0 having the highest priority and Queue\_5 the lowest. Queue\_0 also has the added ability to bypass all buffering and queuing and abort a currently running conversion on either ADC and start a Queue\_0 conversion. This means that Queue\_0 will always have a deterministic time from trigger to start of conversion, irrespective of what tasks the ADCs

were performing when the trigger occurred. The eQADC supports software and external hardware triggers from other blocks to initiate transfers of commands from the queues to the on-chip ADCs or to the external device. It also monitors the fullness of command queues and result queues, and accordingly generates DMA or interrupt requests to control data movement between the queues and the system memory, which is external to the eQADC.

The ADCs also support features designed to allow the direct connection of high impedance acoustic sensors that might be used in a system for detecting engine knock. These features include differential inputs; integrated variable gain amplifiers for increasing the dynamic range; programmable pull-up and pull-down resistors for biasing and sensor diagnostics.

The eQADC also integrates a programmable decimation filter capable of taking in ADC conversion results at a high rate, passing them through a hardware low pass filter, then down-sampling the output of the filter and feeding the lower sample rate results to the result FIFOs. This allows the ADCs to sample the sensor at a rate high enough to avoid aliasing of out-of-band noise; while providing a reduced sample rate output to minimize the amount DSP processing bandwidth required to fully process the digitized waveform.

The eQADC provides the following features:

- Dual on-chip ADCs
  - $2 \times$  12-bit ADC resolution
  - Programmable resolution for increased conversion speed (12 bit, 10 bit, 8 bit)
    - 12-bit conversion time – 1  $\mu$ s (1M sample/sec)
    - 10-bit conversion time – 867 ns (1.2M sample/second)
    - 8-bit conversion time – 733 ns (1.4M sample/second)
  - Up to 10-bit accuracy at 500 KSample/s and 9-bit accuracy at 1 MSample/s
  - Differential conversions
  - Single-ended signal range from 0 to 5 V
  - Variable gain amplifiers on differential inputs ( $\times 1$ ,  $\times 2$ ,  $\times 4$ )
  - Sample times of 2 (default), 8, 64 or 128 ADC clock cycles
  - Provides time stamp information when requested
  - Parallel interface to eQADC CFIFOs and RFIFOs
  - Supports both right-justified unsigned and signed formats for conversion results
- Up to 34<sup>(d)</sup> input channels (accessible by both ADCs)
- 23 additional internal channels for measuring control and monitoring voltages inside the device
  - Including Core voltage, I/O voltage, LVI voltages, etc.
- An internal bandgap reference to allow absolute voltage measurements
- 4 pairs of differential analog input channels
  - Programmable pull-up/pull-down resistors on each differential input for biasing and sensor diagnostic (200 k $\Omega$ , 100 k $\Omega$ , 5 k $\Omega$ )
- Silicon die temperature sensor
  - provides temperature of silicon as an analog value
  - read using an internal ADC analog channel

---

d. 176-pin package has 34 input channels; 144-pin package has 32 input channels.

- may be read with either ADC
- Decimation Filter
  - Programmable decimation factor (2 to 16)
  - Selectable IIR or FIR filter
  - Up to 4th order IIR or 8th order FIR
  - Programmable coefficients
  - Saturated or non-saturated modes
  - Programmable Rounding (Convergent; Two's Complement; Truncated)
  - Pre-fill mode to pre-condition the filter before the sample window opens
- Full duplex synchronous serial interface to an external device
  - Free-running clock for use by an external device
  - Supports a 26-bit message length
- Priority based Queues
  - Supports six Queues with fixed priority. When commands of distinct Queues are bound for the same ADC, the higher priority Queue is always served first
  - Queue\_0 can bypass all prioritization, buffering and abort current conversions to start a Queue\_0 conversion a deterministic time after the queue trigger
  - Streaming mode operation of Queue\_0 to execute some commands several times
  - Supports software and hardware trigger modes to arm a particular Queue
  - Generates interrupt when command coherency is not achieved
- External hardware triggers
  - Supports rising edge, falling edge, high level and low level triggers
  - Supports configurable digital filter
- Supports four external 8-to-1 muxes which can expand the input channels to 56 channels total

### 2.3.15 DSPI

The Deserial Serial Peripheral Interface (DSPI) block provides a synchronous serial interface for communication between the SPC563Mxx MCU and external devices. The DSPI supports pin count reduction through serialization and deserialization of eTPU and eMIOS channels and memory-mapped registers. The channels and register content are transmitted using a SPI-like protocol. This SPI-like protocol is completely configurable for baud rate, polarity and phase, frame length, chip select assertion, etc. Each bit in the frame may be configured to serialize either eTPU channels, eMIOS channels or GPIO signals. The DSPI can be configured to serialize data to an external device that supports the Microsecond Channel protocol. There are two identical DSPI blocks on the SPC563Mxx MCU. The DSPI output pins support 5 V logic levels or Low Voltage Differential Signalling (LVDS) according to the Microsecond Channel specification.

The DSPIs have three configurations:

- Serial peripheral interface (SPI) configuration where the DSPI operates as an up to 16-bit SPI with support for queues
- Enhanced Deserial Serial Interface (DSI) configuration where DSPI serializes up to 32 bits with three possible sources per bit
  - eTPU, eMIOS, new virtual GPIO registers as possible bit source
  - Programmable inter-frame gap in continuous mode
  - Bit source selection allows microsecond channel downstream with command or data frames up to 32 bits
  - Microsecond channel dual receiver mode
- Combined serial interface (CSI) configuration where the DSPI operates in both SPI and DSI configurations interleaving DSI frames with SPI frames, giving priority to SPI frames

For queued operations, the SPI queues reside in system memory external to the DSPI. Data transfers between the memory and the DSPI FIFOs are accomplished through the use of the eDMA controller or through host software.

The DSPI supports these SPI features:

- Full-duplex, synchronous transfers
- Selectable LVDS Pads working at 40 MHz for SOUT and SCK pins
- Master and Slave Mode
- Buffered transmit operation using the TX FIFO with parameterized depth of 4 entries
- Buffered receive operation using the RX FIFO with parameterized depth of 4 entries
- TX and RX FIFOs can be disabled individually for low-latency updates to SPI queues
- Visibility into the TX and RX FIFOs for ease of debugging
- FIFO Bypass Mode for low-latency updates to SPI queues
- Programmable transfer attributes on a per-frame basis:
  - Parameterized number of transfer attribute registers (from two to eight)
  - Serial clock with programmable polarity and phase
  - Various programmable delays:
    - PCS to SCK delay
    - SCK to PCS delay
    - Delay between frames
  - Programmable serial frame size of 4 to 16 bits, expandable with software control
  - Continuously held chip select capability
- 6 Peripheral Chip Selects, expandable to 64 with external demultiplexer
- Deglitching support for up to 32 Peripheral Chip Selects with external demultiplexer
- DMA support for adding entries to TX FIFO and removing entries from RX FIFO:
  - TX FIFO is not full (TFFF)
  - RX FIFO is not empty (RFDF)



- 6 Interrupt conditions:
  - End of queue reached (EOQF)
  - TX FIFO is not full (TFFF)
  - Transfer of current frame complete (TCF)
  - Attempt to transmit with an empty Transmit FIFO (TFUF)
  - RX FIFO is not empty (RFDF)
  - FIFO Underrun (slave only and SPI mode, the slave is asked to transfer data when the TxFIFO is empty)
  - FIFO Overrun (serial frame received while RX FIFO is full)
- Modified transfer formats for communication with slower peripheral devices
- Continuous Serial Communications Clock (SCK)
- Power savings via support for Stop Mode
- Enhanced DSI logic to implement a 32-bit Timed Serial Bus (TSB) configuration, supporting the Microsecond Channel downstream frame format

The DSPIs also support these features unique to the DSI and CSI configurations:

- 2 sources of the serialized data:
  - eTPU\_A and eMIOS output channels
  - Memory-mapped register in the DSPI
- Destinations for the deserialized data:
  - eTPU\_A and eMIOS input channels
  - SIU External Interrupt Request inputs
  - Memory-mapped register in the DSPI
- Deserialized data is provided as Parallel Output signals and as bits in a memory-mapped register
- Transfer initiation conditions:
  - Continuous
  - Edge sensitive hardware trigger
  - Change in data
- Pin serialization/deserialization with interleaved SPI frames for control and diagnostics
- Continuous serial communications clock
- Support for parallel and serial chaining of up to four DSPI blocks

### 2.3.16 eSCI

The enhanced serial communications interface (eSCI) allows asynchronous serial communications with peripheral devices and other MCUs. It includes special support to interface to Local Interconnect Network (LIN) slave devices. The eSCI block provides the following features:

- Full-duplex operation
- Standard mark/space non-return-to-zero (NRZ) format
- 13-bit baud rate selection
- Programmable 8-bit or 9-bit, data format
- Programmable 12-bit or 13-bit data format for Timed Serial Bus (TSB) configuration to support the Microsecond Channel upstream

- Automatic parity generation
- LIN support
  - Autonomous transmission of entire frames
  - Configurable to support all revisions of the LIN standard
  - Automatic parity bit generation
  - Double stop bit after bit error
  - 10- or 13-bit break support
- Separately enabled transmitter and receiver
- Programmable transmitter output parity
- 2 receiver wake up methods:
  - Idle line wake-up
  - Address mark wake-up
- Interrupt-driven operation with flags
- Receiver framing error detection
- Hardware parity checking
- 1/16 bit-time noise detection
- DMA support for both transmit and receive data
  - Global error bit stored with receive data in system RAM to allow post processing of errors

### 2.3.17 FlexCAN

The SPC563Mxx MCU contains two controller area network (FlexCAN) blocks. The FlexCAN module is a communication controller implementing the CAN protocol according to Bosch Specification version 2.0B. The CAN protocol was designed to be used primarily as a vehicle serial data bus, meeting the specific requirements of this field: real-time processing, reliable operation in the EMI environment of a vehicle, cost-effectiveness and required bandwidth. FlexCAN module 'A' contains 64 message buffers (MB); FlexCAN module 'C' contains 32 message buffers.

The FlexCAN module provides the following features:

- Full Implementation of the CAN protocol specification, Version 2.0B
  - Standard data and remote frames
  - Extended data and remote frames
  - Zero to eight bytes data length
  - Programmable bit rate up to 1 Mbit/s
- Content-related addressing
- 64 / 32 message buffers of zero to eight bytes data length
- Individual Rx Mask Register per message buffer
- Each message buffer configurable as Rx or Tx, all supporting standard and extended messages
- Includes 1056 / 544 bytes of embedded memory for message buffer storage
- Includes a 256-byte and a 128-byte memories for storing individual Rx mask registers
- Full featured Rx FIFO with storage capacity for six frames and internal pointer handling

- Powerful Rx FIFO ID filtering, capable of matching incoming IDs against 8 extended, 16 standard or 32 partial (8 bits) IDs, with individual masking capability
- Selectable backwards compatibility with previous FlexCAN versions
- Programmable clock source to the CAN Protocol Interface, either system clock or oscillator clock
- Listen only mode capability
- Programmable loop-back mode supporting self-test operation
- 3 programmable Mask Registers
- Programmable transmit-first scheme: lowest ID, lowest buffer number or highest priority
- Time Stamp based on 16-bit free-running timer
- Global network time, synchronized by a specific message
- Maskable interrupts
- Warning interrupts when the Rx and Tx Error Counters reach 96
- Independent of the transmission medium (an external transceiver is assumed)
- Multi master concept
- High immunity to EMI
- Short latency time due to an arbitration scheme for high-priority messages
- Low power mode, with programmable wake-up on bus activity

### 2.3.18 System timers

The system timers provide two distinct types of system timer:

- Periodic interrupts/triggers using the Periodic Interrupt Timer (PIT)
- Operating system task monitors using the System Timer Module (STM)

#### 2.3.18.1 Periodic Interrupt Timer (PIT)

The PIT provides five independent timer channels, capable of producing periodic interrupts and periodic triggers. The PIT has no external input or output pins and is intended to be used to provide system 'tick' signals to the operating system, as well as periodic triggers for eQADC queues. Of the five channels in the PIT, four are clocked by the system clock, one is clocked by the crystal clock. This one channel is also referred to as Real Time Interrupt (RTI) and is used to wakeup the device from low power stop mode.

The following features are implemented in the PIT:

- 5 independent timer channels
- Each channel includes 32-bit wide down counter with automatic reload
- 4 channels clocked from system clock
- 1 channel clocked from crystal clock (wake-up timer)
- Wake-up timer remains active when System STOP mode is entered. Used to restart system clock after predefined timeout period
- Each channel can optionally generate an interrupt request or a trigger event (to trigger eQADC queues) when the timer reaches zero

### 2.3.18.2 System Timer Module (STM)

The System Timer Module (STM) is designed to implement the software task monitor as defined by AUTOSAR (see [autosar.org](http://autosar.org) web site). It consists of a single 32-bit counter, clocked by the system clock, and four independent timer comparators. These comparators produce a CPU interrupt when the timer exceeds the programmed value.

The following features are implemented in the STM:

- One 32-bit up counter with 8-bit prescaler
- Four 32-bit compare channels
- Independent interrupt source for each channel
- Counter can be stopped in debug mode

### 2.3.19 Software Watchdog Timer (SWT)

The Software Watchdog Timer (SWT) is a second watchdog module to complement the standard Power Architecture watchdog integrated in the CPU core. The SWT is a 32-bit modulus counter, clocked by the system clock or the crystal clock, that can provide a system reset or interrupt request when the correct software key is not written within the required time window.

The following features are implemented:

- 32-bit modulus counter
- Clocked by system clock or crystal clock
- Optional programmable watchdog window mode
- Can optionally cause system reset or interrupt request on timeout
- Reset by writing a software key to memory mapped register
- Enabled out of reset
- Configuration is protected by a software key or a write-once register

### 2.3.20 Debug features

#### 2.3.20.1 Nexus port controller

The NPC (Nexus Port Controller) block provides real-time development support capabilities for the SPC563Mxx Power Architecture-based MCU in compliance with the IEEE-ISTO 5001-2003 standard. This development support is supplied for MCUs without requiring external address and data pins for internal visibility. The NPC block is an integration of several individual Nexus blocks that are selected to provide the development support interface for SPC563Mxx. The NPC block interfaces to the host processor (e200z335), eTPU, and internal buses to provide development support as per the IEEE-ISTO 5001-2003 standard. The development support provided includes program trace and run-time access to the MCUs internal memory map and access to the Power Architecture and eTPU internal registers during halt. The Nexus interface also supports a JTAG only mode using only the JTAG pins. SPC563Mxx in the production LQFP144 supports a 3.3 V reduced (4-bit wide) Auxiliary port. These Nexus port pins can also be used as 5 V I/O signals to increase usable I/O count of the device. When using this Nexus port as IO, Nexus trace is still possible using calibration tool calibration. In the calibration tool calibration package, the full 12-bit Auxiliary port is available.

*Note: In the calibration tool package, the full Nexus Auxiliary port shares balls with the addresses of the calibration bus. Therefore multiplexed address/data bus mode must be used for the calibration bus when using full width Nexus trace in calibration tool assembly.*

The following features are implemented:

- 5-pin JTAG port (JCOMP, TDI, TDO, TMS, and TCK)
  - Always available in production package
  - Supports both JTAG Boundary Scan and debug modes
  - 3.3 V interface
  - Supports Nexus class 1 features
  - Supports Nexus class 3 read/write feature
- 9-pin Reduced Port interface in LQFP144 production package
  - Alternate function as IO
  - 5 V (in GPIO or alternate function mode), 3.3 V (in Nexus mode) interface
  - Auxiliary Output port
    - 1 MCKO (message clock out) pin
    - 4 MDO (message data out) pins
    - 2  $\overline{\text{MSEO}}$  (message start/end out) pins
    - 1 EVTO (event out) pin
  - Auxiliary input port
    - 1 EVTI (event in) pin
- 17-pin Full Port interface in calibration package used on calibration tool boards
  - 3.3 V interface
  - Auxiliary Output port
    - 1 MCKO (message clock out) pin
    - 4 (reduced port mode) or 12 (full port mode) MDO (message data out) pins; 8 extra full port pins shared with calibration bus
    - 2  $\overline{\text{MSEO}}$  (message start/end out) pins
    - 1 EVTO (event out) pin
  - Auxiliary input port
    - 1 EVTI (event in) pin
- Host processor (e200) development support features
  - IEEE-ISTO 5001-2003 standard class 2 compliant
  - Program trace via branch trace messaging (BTM). Branch trace messaging displays program flow discontinuities (direct branches, indirect branches, exceptions, etc.), allowing the development tool to interpolate what transpires between the discontinuities. Thus, static code may be traced.
  - Watchpoint trigger enable of program trace messaging
  - Data Value Breakpoints (JTAG feature of the e200z335 core): allows CPU to be halted when the CPU writes a specific value to a memory location
    - 4 data value breakpoints
    - CPU only
    - Detects 'equal' and 'not equal'
    - Byte, half word, word (naturally aligned)

Note: This feature is imprecise due to CPU pipelining.

- Subset of Power Architecture software debug facilities with OnCE block (Nexus class 1 features)
- eTPU development support features
  - IEEE-ISTO 5001-2003 standard class 1 compliant for the eTPU
  - Nexus based breakpoint configuration and single step support (JTAG feature of the eTPU)
- Run-time access to the on-chip memory map via the Nexus read/write access protocol. This feature supports accesses for run-time internal visibility, calibration variable acquisition, calibration constant tuning, and external rapid prototyping for powertrain automotive development systems.
- All features are independently configurable and controllable via the IEEE 1149.1 I/O port
- Power-on-reset status indication during reset via MDO[0] in disabled and reset modes

### 2.3.20.2 JTAG

The JTAGC (JTAG Controller) block provides the means to test chip functionality and connectivity while remaining transparent to system logic when not in test mode. Testing is performed via a boundary scan technique, as defined in the IEEE 1149.1-2001 standard. All data input to and output from the JTAGC block is communicated in serial format. The JTAGC block is compliant with the IEEE 1149.1-2001 standard and supports the following features:

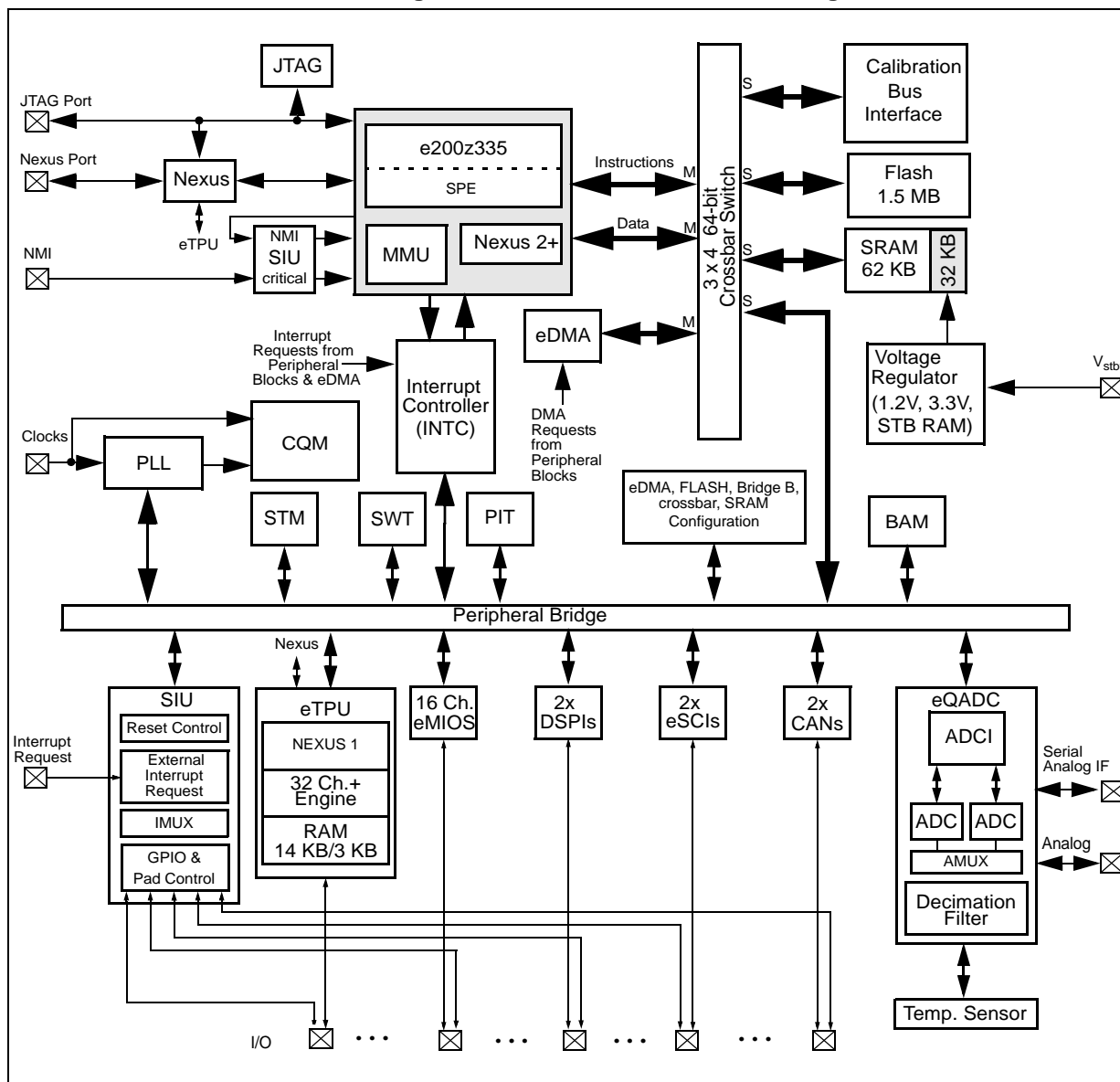
- IEEE 1149.1-2001 Test Access Port (TAP) interface 4 pins (TDI, TMS, TCK, and TDO)
- A 5-bit instruction register that supports the following IEEE 1149.1-2001 defined instructions:
  - BYPASS, IDCODE, EXTEST, SAMPLE, SAMPLE/PRELOAD, HIGHZ, CLAMP
- A 5-bit instruction register that supports the additional following public instructions:
  - ACCESS\_AUX\_TAP\_NPC
  - ACCESS\_AUX\_TAP\_ONCE
  - ACCESS\_AUX\_TAP\_eTPU
  - ACCESS\_CENSOR
- 3 test data registers to support JTAG Boundary Scan mode
  - Bypass register
  - Boundary scan register
  - Device identification register
- A TAP controller state machine that controls the operation of the data registers, instruction register and associated circuitry
- Censorship Inhibit Register
  - 64-bit Censorship password register
  - If the external tool writes a 64-bit password that matches the Serial Boot password stored in the internal flash shadow row, Censorship is disabled until the next system reset.

## 2.4 SPC563Mxx series architecture

### 2.4.1 Block diagram

Figure 1 shows a top-level block diagram of the SPC563Mxx series.

Figure 1. SPC563Mxx series block diagram



### 2.4.2 Block summary

Table 3 summarizes the functions of the blocks present on the SPC563Mxx series microcontrollers.

Table 3. SPC563Mxx series block summary

Block	Function
e200z3 core	Executes programs and interrupt handlers.
Flash memory	Provides storage for program code, constants, and variables
RAM (random-access memory)	Provides storage for program code, constants, and variables
Calibration bus	Transfers data across the crossbar switch to/from peripherals attached to the VertiCal connector
DMA (Direct Memory Access)	Performs complex data movements with minimal intervention from the core
DSPI (Deserial Serial Peripheral Interface)	Provides a synchronous serial interface for communication with external devices
eMIOS (enhanced Modular Input-output System)	Provides the functionality to generate or measure events
eQADC (enhanced Queued Analog-to-digital Converter)	Provides accurate and fast conversions for a wide range of applications
eSCI (Serial Communication Interface)	Allows asynchronous serial communications with peripheral devices and other microcontroller units
eTPU (enhanced Time Processor Unit)	Processes real-time input events, performs output waveform generation, and accesses shared data without host intervention
FlexCAN (Controller Area Network)	Supports the standard CAN communications protocol
FMPLL (Frequency-modulated Phase-locked Loop)	Generates high-speed system clocks and supports the programmable frequency modulation of these clocks
INTC (Interrupt Controller)	Provides priority-based preemptive scheduling of interrupt requests
JTAG controller	Provides the means to test chip functionality and connectivity while remaining transparent to system logic when not in test mode
NPC (Nexus Port Controller)	Provides real-time development support capabilities in compliance with the IEEE-ISTO 5001-2003 standard
PIT (Peripheral Interrupt Timer)	Produces periodic interrupts and triggers
Temperature sensor	Provides the temperature of the device as an analog value
SWT (Software Watchdog Timer)	Provides protection from runaway code
STM (System Timer Module)	Timer providing a set of output compare events to support AutoSAR and operating system tasks



## 3 Pinout and signal description

This section contains the pinouts for all production packages for the SPC563Mxx family of devices. Please note the following:

- Pins labeled “NC” are to be left unconnected. Any connection to an external circuit or voltage may cause unpredictable device behavior or damage.
- Pins labeled “NIC” have no internal connection.

### 3.1 LQFP144 pinout

*Figure 2* shows the pinout for the 144-pin LQFP.







### 3.3 Signal summary

Table 4. SPC563Mx signal properties

Name	Function <sup>(1)</sup>	Pad Config. Register (PCR) <sup>(2)</sup>	PCR PA Field <sup>(3)</sup>	I/O Type	Voltage <sup>(4)</sup> / Pad Type	Reset State <sup>(5)</sup>	Function / State After Reset <sup>(6)</sup>	Pin No.	
								LQFP 144	LQFP 176
<b>Dedicated GPIO</b>									
GPIO[98]	GPIO	PCR[98]	—	I/O	VDDEH7 Slow	– / Up	GPIO[98]/Up	—	141
GPIO[99]	GPIO	PCR[99]	—	I/O	VDDEH7 Slow	– / Up	GPIO[99]/Up	—	142
GPIO[206] <sup>(7)</sup>	GPIO	PCR[206]	—	I/O	VDDEH7 Slow	– / Up	GPIO[206]/Up	—	143
GPIO[207] <sup>(7)</sup>	GPIO	PCR[207]	—	I/O	VDDEH7 Slow	– / Up	GPIO[207]/Up	—	144
<b>Reset / Configuration</b>									
RESET	External Reset Input	—	—	I	VDDEH6a Slow	I / Up	$\overline{\text{RESET}}$ / Up	80	97
RSTOUT	External Reset Output	PCR[230]	—	O	VDDEH6a Slow	$\overline{\text{RSTOUT}}$ / Low	$\overline{\text{RSTOUT}}$ / High	85	102
PLLREF $\overline{\text{IRQ}}[4]$ ETRIG[2] GPIO[208]	FMPLL Mode Selection External Interrupt Request eQADC Trigger Input GPIO	PCR[208]	011 010 100 000	I I I I/O	VDDEH6a Slow	PLLREF / Up	– / Up	68	83
BOOTCFG1 $\overline{\text{IRQ}}[3]$ ETRIG[3] GPIO[212]	Boot Config. Input External Interrupt Request eQADC Trigger Input GPIO	PCR[212]	011 010 100 000	I I I I/O	VDDEH6a Slow	BOOTCFG1 / Down	– / Down	70	85



Table 4. SPC563Mx signal properties (continued)

Name	Function <sup>(1)</sup>	Pad Config. Register (PCR) <sup>(2)</sup>	PCR PA Field <sup>(3)</sup>	I/O Type	Voltage <sup>(4)</sup> / Pad Type	Reset State <sup>(5)</sup>	Function / State After Reset <sup>(6)</sup>	Pin No.	
								LQFP 144	LQFP 176
WKPCFG NMI DSPI_B_SOUT GPIO[213]	Weak Pull Config. Input Non-Maskable Interrupt DSPI_B Data Output GPIO	PCR[213]	01 11 10 00	I I O I/O	VDDEH6a Slow	WKPCFG / Up	- / Up	71	86
<b>Calibration<sup>(8)</sup></b>									
CAL_ADDR[12:15] <sup>(9)</sup>	Calibration Address Bus	PCR[340]	—	O	VDDE12 Fast	O / Low	CAL_ADDR / Low	—	—
CAL_ADDR[16] <sup>(18)</sup> ALT_MDO[0] <sup>(10)</sup>	Calibration Address Bus Nexus Msg Data Out	PCR[345]	—	O O	VDDE12 <sup>(11)</sup> Fast	O / Low <sup>(12)</sup>	MDO / ALT_ADDR <sup>(10)</sup> / Low	—	17
CAL_ADDR[17] <sup>(18)</sup> ALT_MDO[1] <sup>(10)</sup>	Calibration Address Bus Nexus Msg Data Out	PCR[345]	—	O O	VDDE12 <sup>(11)</sup> Fast	O / Low <sup>(12)</sup>	ALT_MDO / CAL_ADDR <sup>(10)</sup> / Low	—	18
CAL_ADDR[18] <sup>(18)</sup> ALT_MDO[2] <sup>(10)</sup>	Calibration Address Bus Nexus Msg Data Out	PCR[345]	—	O O	VDDE12 <sup>(11)</sup> Fast	O / Low <sup>(12)</sup>	ALT_MDO / CAL_ADDR <sup>(10)</sup> / Low	—	19
CAL_ADDR[19] <sup>(18)</sup> ALT_MDO[3] <sup>(10)</sup>	Calibration Address Bus Nexus Msg Data Out	PCR[345]	—	O O	VDDE12 <sup>(11)</sup> Fast	O / Low <sup>(12)</sup>	ALT_MDO / CAL_ADDR <sup>(10)</sup> / Low	—	20
CAL_ADDR[20:27] ALT_MDO[4:11]	Calibration Address Bus Nexus Msg Data Out	PCR[345]	—	O O	VDDE12 <sup>(11)</sup> Fast	O / Low	ALT_MDO / CAL_ADDR <sup>(13)</sup> / Low	—	—
CAL_ADDR[28] <sup>(18)</sup> ALT_MSEO[0] <sup>(10)</sup>	Calibration Address Bus Nexus Msg Start/End Out	PCR[345]	—	O O	VDDE12 <sup>(11)</sup> Fast	O / Low <sup>(14)</sup>	ALT_MSEO <sup>(13)</sup> / CAL_ADDR <sup>(14)</sup> / Low	—	118
CAL_ADDR[29] <sup>(18)</sup> ALT_MSEO[1] <sup>(10)</sup>	Calibration Address Bus Nexus Msg Start/End Out	PCR[345]	—	O O	VDDE12 <sup>(11)</sup> Fast	O / Low <sup>(14)</sup>	ALT_MSEO <sup>(13)</sup> / CAL_ADDR <sup>(14)</sup> / Low	—	117



Table 4. SPC563Mx signal properties (continued)

Name	Function <sup>(1)</sup>	Pad Config. Register (PCR) <sup>(2)</sup>	PCR PA Field <sup>(3)</sup>	I/O Type	Voltage <sup>(4)</sup> / Pad Type	Reset State <sup>(5)</sup>	Function / State After Reset <sup>(6)</sup>	Pin No.	
								LQFP 144	LQFP 176
CAL_ADDR[30] <sup>(18)</sup> ALT_EVTI <sup>(10)</sup>	Calibration Address Bus Nexus Event In	PCR[345]	—	O I	VDDE12 <sup>(11)</sup> Fast	__ <sup>(15)</sup>	ALT_EVTI / CAL_ADDR <sup>(16)</sup>	—	116
ALT_EVT $\overline{O}$	Nexus Event Out	PCR[344]	—	O	VDDE12 <sup>(11)</sup> Fast	O / Low	ALT_EVT $\overline{O}$ / High	—	120
ALT_MCKO	Nexus Msg Clock Out	PCR[344]	—	O	VDDE12 <sup>(11)</sup> Fast	O / Low	ALT_MCKO / Enabled	—	14
NEXUSCFG <sup>(9)</sup>	Nexus/Calibration bus selector	—	—	I	VDDE12 Fast	I / Down	NEXUSCFG / Down	—	—
CAL_C $\overline{S}$ [0] <sup>(9)</sup>	Calibration Chip Selects	PCR[336]	—	O	VDDE12 Fast	O / High	CAL_C $\overline{S}$ / High	—	—
CAL_C $\overline{S}$ [2] <sup>(9)</sup> CAL_ADDR[10]	Calibration Chip Selects Calibration Address Bus	PCR[338]	11 10	O O	VDDE12 Fast	O / High	CAL_C $\overline{S}$ / High	—	—
CAL_C $\overline{S}$ [3] <sup>(9)</sup> CAL_ADDR[11]	Calibration Chip Selects Calibration Address Bus	PCR[339]	11 10	O O	VDDE12 Fast	O / High	CAL_C $\overline{S}$ / High	—	—
CAL_DATA[0:9] <sup>(9)</sup>	Calibration Data Bus	PCR[341]		I/O	VDDE12 Fast	- / Up	- / Up	—	—
CAL_DATA[10:15] <sup>(9)</sup>	Calibration Data Bus	PCR[341]		I/O	VDDE12 Fast	- / Up	- / Up	—	—
CAL_O $\overline{E}$ <sup>(9)</sup>	Calibration Output Enable	PCR[342]	—	O	VDDE12 Fast	O / High	CAL_O $\overline{E}$ / High	—	—
CAL_RD_W $\overline{R}$ <sup>(9)</sup>	Calibration Read/Write	PCR[342]	—	O	VDDE12 Fast	O / High	CAL_RD_W $\overline{R}$ / High	—	—
CAL_T $\overline{S}$ _ALE <sup>(9)</sup>	Calibration Transfer Start Address Latch Enable	PCR[343]	TS=0b1 ALE=0b0	O O	VDDE12 Fast	O / High	CAL_T $\overline{S}$ / High	—	—
CAL_W $\overline{E}$ _BE[0:1] <sup>(9)</sup>	Calibration Write Enable Byte Enable	PCR[342]	—	O	VDDE12 Fast	O / High	CAL_W $\overline{E}$ / High	—	—



Table 4. SPC563Mx signal properties (continued)

Name	Function <sup>(1)</sup>	Pad Config. Register (PCR) <sup>(2)</sup>	PCR PA Field <sup>(3)</sup>	I/O Type	Voltage <sup>(4)</sup> / Pad Type	Reset State <sup>(5)</sup>	Function / State After Reset <sup>(6)</sup>	Pin No.	
								LQFP 144	LQFP 176
<b>NEXUS<sup>(17)</sup></b>									
$\overline{\text{EVTI}}$ <sup>(18)</sup> eTPU_A[2] GPIO[231]	Nexus Event In eTPU A Ch. GPIO	PCR[231]	01 10 00	I O I/O	VDDEH7 Multi-V	- / -	- / -	103	126
$\overline{\text{EVTO}}$ <sup>(18)</sup> eTPU_A[4] GPIO[227]	Nexus Event Out eTPU A Ch. GPIO	PCR[227]	01 <sup>(19)</sup> 10 00	O O I/O	VDDEH7 Multi-V	I / Up	I / Up	106	129
MCKO <sup>(18)</sup> GPIO[219]	Nexus Msg Clock Out GPIO	PCR[219]	N/A <sup>(19)</sup> 00	O I/O	VDDEH7 Multi-V	- / -	- / -	99	122
MDO[0] <sup>(18)</sup> eTPU_A[13] GPIO[220]	Nexus Msg Data Out eTPU A Ch. GPIO	PCR[220]	01 10 00	O O I/O	VDDEH7 Multi-V	- / -	- / -	110	135
MDO[1] <sup>(18)</sup> eTPU_A[19] GPIO[221]	Nexus Msg Data Out eTPU A Ch. GPIO	PCR[221]	01 <sup>(19)</sup> 10 00	O O I/O	VDDEH7 Multi-V	- / -	- / -	111	136
MDO[2] <sup>(18)</sup> eTPU_A[21] GPIO[222]	Nexus Msg Data Out eTPU A Ch. GPIO	PCR[222]	01 <sup>(19)</sup> 10 00	O O I/O	VDDEH7 Multi-V	- / -	- / -	112	137
MDO[3] <sup>(18)</sup> eTPU_A[25] GPIO[223]	Nexus Msg Data Out eTPU A Ch. GPIO	PCR[223]	01 <sup>(19)</sup> 10 00	O O I/O	VDDEH7 Multi-V	- / -	- / -	114	139
MSEO[0] <sup>(18)</sup> eTPU_A[27] GPIO[224]	Nexus Msg Start/End Out eTPU A Ch. GPIO	PCR[224]	01 <sup>(19)</sup> 10 00	O O I/O	VDDEH7 Multi-V	- / -	- / -	109	134



Table 4. SPC563Mx signal properties (continued)

Name	Function <sup>(1)</sup>	Pad Config. Register (PCR) <sup>(2)</sup>	PCR PA Field <sup>(3)</sup>	I/O Type	Voltage <sup>(4)</sup> / Pad Type	Reset State <sup>(5)</sup>	Function / State After Reset <sup>(6)</sup>	Pin No.	
								LQFP 144	LQFP 176
MSE0[1] <sup>(18)</sup> eTPU_A[29] GPIO[225]	Nexus Msg Start/End Out eTPU A Ch. GPIO	PCR[225]	01 <sup>(19)</sup> 10 00	O O I/O	VDDEH7 Multi-V	- / -	- / -	101	124
<b>JTAG / TEST</b>									
TCK	JTAG Test Clock Input	—	—	I	VDDEH7 Multi-V	TCK / Down	TCK / Down	105	128
TDI <sup>(20)</sup> eMIOS[5] GPIO[232]	JTAG Test Data Input eMIOS Ch. GPIO	PCR[232]	01 <sup>(21)</sup> 10 00	I O I/O	VDDEH7 Multi-V	- / -	- / -	107	130
TDO <sup>(20)</sup> eMIOS[6] GPIO[228]	JTAG Test Data Output eMIOS Ch. GPIO	PCR[228]	01 <sup>(21)</sup> 10 00	O O I/O	VDDEH7 Multi-V	- / -	- / -	100	123
TMS	JTAG Test Mode Select Input	—	—	I	VDDEH7 Multi-V	TMS / Up	TMS / Up	108	131
JCOMP	JTAG TAP Controller Enable	—	—	I	VDDEH7 Multi-V	JCOMP / Down	JCOMP / Down	98	121
<b>CAN</b>									
CAN_A_TX SCI_A_TX GPIO[83]	CAN_A Transmit eSCI_A Transmit GPIO	PCR[83]	01 10 00	O O I/O	VDDEH6a Slow	- / Up	- / Up <sup>(22)</sup>	66	81
CAN_A_RX SCI_A_RX GPIO[84]	CAN_A Receive eSCI_A Receive GPIO	PCR[84]	01 10 00	I I I/O	VDDEH6a Slow	- / Up	- / Up	67	82
CAN_C_TX GPIO[87]	CAN_C Transmit GPIO	PCR[87]	01 00	O I/O	VDDEH6a Medium	- / Up	- / Up	84	101





Table 4. SPC563Mx signal properties (continued)

Name	Function <sup>(1)</sup>	Pad Config. Register (PCR) <sup>(2)</sup>	PCR PA Field <sup>(3)</sup>	I/O Type	Voltage <sup>(4)</sup> / Pad Type	Reset State <sup>(5)</sup>	Function / State After Reset <sup>(6)</sup>	Pin No.	
								LQFP 144	LQFP 176
CAN_C_RX GPIO[88]	CAN_C Receive GPIO	PCR[88]	01 00	I I/O	VDDEH6a Slow	- / Up	- / Up	81	98
<b>eSCI</b>									
SCI_A_TX eMIOS[13] GPIO[89]	eSCI_A Transmit eMIOS Ch. GPIO	PCR[89]	01 10 00	O O I/O	VDDEH6a Slow	- / Up	- / Up	83	100
SCI_A_RX <sup>(23)</sup> eMIOS[15] GPIO[90]	eSCI_A Receive eMIOS Ch. GPIO	PCR[90]	01 10 00	I O I/O	VDDEH6a Slow	- / Up	- / Up	82	99
SCI_B_TX GPIO[91]	eSCI_B Transmit GPIO	PCR[91]	01 00	I/O I/O	VDDEH6a Slow	- / Up	- / Up	72	87
SCI_B_RX GPIO[92]	eSCI_B Receive GPIO	PCR[92]	01 00	I I/O	VDDEH6a Slow	- / Up	- / Up	69	84
<b>DSPI</b>									
DSPI_B_SCK DSPI_C_PCS[1] GPIO[102]	DSPI_B Clock DSPI_C Periph Chip Select GPIO	PCR[102]	01 10 00	I/O O I/O	VDDEH6b Medium	- / Up	- / Up	89	106
DSPI_B_SIN DSPI_C_PCS[2] GPIO[103]	DSPI_B Data Input DSPI_C Periph Chip Select GPIO	PCR[103]	01 10 00	I O I/O	VDDEH6b Medium	- / Up	- / Up	95	112
DSPI_B_SOUT DSPI_C_PCS[5] GPIO[104]	DSPI_B Data Output DSPI_C Periph Chip Select GPIO	PCR[104]	01 10 00	O O I/O	VDDEH6b Medium	- / Up	- / Up	96	113
DSPI_B_PCS[0] GPIO[105]	DSPI_B Periph Chip Select GPIO	PCR[105]	01 00	O I/O	VDDEH6b Medium	- / Up	- / Up	94	111



Table 4. SPC563Mx signal properties (continued)

Name	Function <sup>(1)</sup>	Pad Config. Register (PCR) <sup>(2)</sup>	PCR PA Field <sup>(3)</sup>	I/O Type	Voltage <sup>(4)</sup> / Pad Type	Reset State <sup>(5)</sup>	Function / State After Reset <sup>(6)</sup>	Pin No.	
								LQFP 144	LQFP 176
DSPI_B_PCS[1] GPIO[106]	DSPI_B Periph Chip Select GPIO	PCR[106]	01 00	O I/O	VDDEH6b Medium	- / Up	- / Up	92	109
DSPI_B_PCS[2] DSPI_C_SOUT GPIO[107]	DSPI_B Periph Chip Select DSPI_C Data Output GPIO	PCR[107]	01 10 00	O O I/O	VDDEH6b Medium	- / Up	- / Up	90	107
DSPI_B_PCS[3] DSPI_C_SIN GPIO[108]	DSPI_B Periph Chip Select DSPI_C Data Input GPIO	PCR[108]	01 10 00	O I I/O	VDDEH6b Medium	- / Up	- / Up	97	114
DSPI_B_PCS[4] DSPI_C_SCK GPIO[109]	DSPI_B Periph Chip Select DSPI_C Clock GPIO	PCR[109]	01 10 00	O I/O I/O	VDDEH6b Medium	- / Up	- / Up	88	105
DSPI_B_PCS[5] DSPI_C_PCS[0] GPIO[110]	DSPI_B Periph Chip Select DSPI_C Periph Chip Select GPIO	PCR[110]	01 10 00	O O I/O	VDDEH6b Medium	- / Up	- / Up	87	104
<b>eQADC</b>									
AN[0] <sup>(24)</sup> DAN0+	Single Ended Analog Input Positive Terminal Diff. Input	—	—	 	VDDA	I / -	AN[0] / -	143	172
AN[1] <sup>(24)</sup> DAN0-	Single Ended Analog Input Negative Terminal Diff. Input	—	—	 	VDDA	I / -	AN[1] / -	142	171
AN[2] <sup>(24)</sup> DAN1+	Single Ended Analog Input Positive Terminal Diff. Input	—	—	 	VDDA	I / -	AN[2] / -	141	170
AN[3] <sup>(24)</sup> DAN1-	Single Ended Analog Input Negative Terminal Diff. Input	—	—	 	VDDA	I / -	AN[3] / -	140	169
AN[4] <sup>(24)</sup> DAN2+	Single Ended Analog Input Positive Terminal Diff. Input	—	—	 	VDDA	I / -	AN[4] / -	139	168



Table 4. SPC563Mx signal properties (continued)

Name	Function <sup>(1)</sup>	Pad Config. Register (PCR) <sup>(2)</sup>	PCR PA Field <sup>(3)</sup>	I/O Type	Voltage <sup>(4)</sup> / Pad Type	Reset State <sup>(5)</sup>	Function / State After Reset <sup>(6)</sup>	Pin No.	
								LQFP 144	LQFP 176
AN[5] <sup>(24)</sup> DAN2-	Single Ended Analog Input Negative Terminal Diff. Input	—	—	 	VDDA	I / —	AN[5] / —	138	167
AN[6] <sup>(24)</sup> DAN3+	Single Ended Analog Input Positive Terminal Diff. Input	—	—	 	VDDA	I / —	AN[6] / —	137	166
AN[7] <sup>(24)</sup> DAN3-	Single Ended Analog Input Negative Terminal Diff. Input	—	—	 	VDDA	I / —	AN[7] / —	136	165
AN[8]	See AN[38]-AN[8]-ANW								
AN[9] ANX	Single Ended Analog Input External Multiplexed Analog Input	—	—	 	VDDA	I / —	AN[9] / —	5	5
AN[10]	See AN[39]-AN[10]-ANY								
AN[11] ANZ	Single Ended Analog Input External Multiplexed Analog Input	—	—	 	VDDA	I / —	AN[11] / —	4	4
AN[12] MA[0] ETPU_A[19] SDS	Single Ended Analog Input Mux Address ETPU_A Ch. eQADC Serial Data Strobe	PCR[215]	011 010 100 000	 O O O	VDDA VDDEH7	I / —	AN[12] / —	119	148
AN[13] MA[1] ETPU_A[21] SDO	Single Ended Analog Input Mux Address ETPU_A Ch. eQADC Serial Data Out	PCR[216]	011 010 100 000	 O O O	VDDA VDDEH7	I / —	AN[13] / —	118	147
AN[14] MA[2] ETPU_A[27] SDI	Single Ended Analog Input Mux Address ETPU_A Ch. eQADC Serial Data In	PCR[217]	011 010 100 000	 O O I	VDDA VDDEH7	I / —	AN[14] / —	117	146



Table 4. SPC563Mx signal properties (continued)

Name	Function <sup>(1)</sup>	Pad Config. Register (PCR) <sup>(2)</sup>	PCR PA Field <sup>(3)</sup>	I/O Type	Voltage <sup>(4)</sup> / Pad Type	Reset State <sup>(5)</sup>	Function / State After Reset <sup>(6)</sup>	Pin No.	
								LQFP 144	LQFP 176
AN[15] FCK ETPU_A[29]	Single Ended Analog Input eQADC Free Running Clock ETPU_A Ch.	PCR[218]	011 010 000	I O O	VDDEH7	I / -	AN[15] / -	116	145
AN[16]	Single Ended Analog Input	—	—	I	VDDA	I / -	AN[x] / -	3	3
AN[17]	Single Ended Analog Input	—	—	I	VDDA	I / -	AN[x] / -	2	2
AN[18]	Single Ended Analog Input	—	—	I	VDDA	I / -	AN[x] / -	1	1
AN[21]	Single Ended Analog Input	—	—	I	VDDA	I / -	AN[x] / -	144	173
AN[22]	Single Ended Analog Input	—	—	I	VDDA	I / -	AN[x] / -	132	161
AN[23]	Single Ended Analog Input	—	—	I	VDDA	I / -	AN[x] / -	131	160
AN[24]	Single Ended Analog Input	—	—	I	VDDA	I / -	AN[x] / -	130	159
AN[25]	Single Ended Analog Input	—	—	I	VDDA	I / -	AN[x] / -	129	158
AN[27]	Single Ended Analog Input	—	—	I	VDDA	I / -	AN[x] / -	128	157
AN[28]	Single Ended Analog Input	—	—	I	VDDA	I / -	AN[x] / -	127	156
AN[30]	Single Ended Analog Input	—	—	I	VDDA	I / -	AN[x] / -	126	155
AN[31]	Single Ended Analog Input	—	—	I	VDDA	I / -	AN[x] / -	125	154
AN[32]	Single Ended Analog Input	—	—	I	VDDA	I / -	AN[x] / -	124	153
AN[33]	Single Ended Analog Input	—	—	I	VDDA	I / -	AN[x] / -	123	152
AN[34]	Single Ended Analog Input	—	—	I	VDDA	I / -	AN[x] / -	122	151
AN[35]	Single Ended Analog Input	—	—	I	VDDA	I / -	AN[x] / -	121	150
AN[36]	Single Ended Analog Input	—	—	I	VDDA	I / -	AN[x] / -	—	174
AN[37]	Single Ended Analog Input	—	—	I	VDDA	I / -	AN[x] / -	—	175
AN[38]-AN[8]- ANW	Single Ended Analog Input Multiplexed Analog Input	—	—	I	VDDA	I / -	AN[38] / -	9	9



Table 4. SPC563Mx signal properties (continued)

Name	Function <sup>(1)</sup>	Pad Config. Register (PCR) <sup>(2)</sup>	PCR PA Field <sup>(3)</sup>	I/O Type	Voltage <sup>(4)</sup> / Pad Type	Reset State <sup>(5)</sup>	Function / State After Reset <sup>(6)</sup>	Pin No.	
								LQFP 144	LQFP 176
AN[39]-AN[10]-ANY	Single Ended Analog Input Multiplexed Analog Input	—	—	I	VDDA	I / —	AN[39] / —	8	8
VRH	Voltage Reference High	—	—	I	VDDA	- / -	VRH	134	163
VRL	Voltage Reference Low	—	—	I	VSSA0	- / -	VRL	133	162
REFBYPC	Bypass Capacitor Input	—	—	I	VRL	- / -	REFBYPC	135	164
<b>eTPU2</b>									
eTPU_A[0] eTPU_A[12] eTPU_A[19] GPIO[114]	eTPU_A Ch. eTPU_A Ch. eTPU_A Ch. GPIO	PCR[114]	011 010 100 000	I/O O O I/O	VDDEH1b Slow	- / WKPCFG	- / WKPCFG	52	61
eTPU_A[1] eTPU_A[13] GPIO[115]	eTPU_A Ch. eTPU_A Ch. GPIO	PCR[115]	01 10 00	I/O O I/O	VDDEH1b Slow	- / WKPCFG	- / WKPCFG	51	60
eTPU_A[2] eTPU_A[14] GPIO[116]	eTPU_A Ch. eTPU_A Ch. GPIO	PCR[116]	01 10 00	I/O O I/O	VDDEH1b Slow	- / WKPCFG	- / WKPCFG	50	59
eTPU_A[3] eTPU_A[15] GPIO[117]	eTPU_A Ch. eTPU_A Ch. GPIO	PCR[117]	01 10 00	I/O O I/O	VDDEH1b Slow	- / WKPCFG	- / WKPCFG	49	58
eTPU_A[4] eTPU_A[16] GPIO[118]	eTPU_A Ch. eTPU_A Ch. GPIO	PCR[118]	01 10 00	I/O O I/O	VDDEH1b Slow	- / WKPCFG	- / WKPCFG	47	56
eTPU_A[5] eTPU_A[17] DSPI_B_SCK_LVDS- GPIO[119]	eTPU_A Ch. eTPU_A Ch. DSPI_B CLOCK LVDS- GPIO	PCR[119]	001 010 100 000	I/O O O I/O	VDDEH1b Slow	- / WKPCFG	- / WKPCFG	45	54



Table 4. SPC563Mx signal properties (continued)

Name	Function <sup>(1)</sup>	Pad Config. Register (PCR) <sup>(2)</sup>	PCR PA Field <sup>(3)</sup>	I/O Type	Voltage <sup>(4)</sup> / Pad Type	Reset State <sup>(5)</sup>	Function / State After Reset <sup>(6)</sup>	Pin No.	
								LQFP 144	LQFP 176
eTPU_A[6] eTPU_A[18] DSPI_B_SCK_LVDS+ GPIO[120]	eTPU_A Ch. eTPU_A Ch. DSPI_B Clock LVDS+ GPIO	PCR[120]	001 010 100 000	I/O O O I/O	VDDEH1b Medium	- / WKPCFG	- / WKPCFG	44	53
eTPU_A[7] eTPU_A[19] DSPI_B_SOUT_LVDS- eTPU_A[6] GPIO[121]	eTPU_A Ch. eTPU_A Ch. DSPI_B Data Output LVDS- eTPU_A Ch. GPIO	PCR[121]	0001 0010 0100 1000 0000	I/O O O O I/O	VDDEH1b Slow	- / WKPCFG	- / WKPCFG	43	52
eTPU_A[8] eTPU_A[20] DSPI_B_SOUT_LVDS+ GPIO[122]	eTPU_A Ch. eTPU_A Ch. DSPI_B Data Output LVDS+ GPIO	PCR[122]	001 010 100 000	I/O O O I/O	VDDEH1b Slow	- / WKPCFG	- / WKPCFG	42	51
eTPU_A[9] eTPU_A[21] GPIO[123]	eTPU_A Ch. eTPU_A Ch. GPIO	PCR[123]	01 10 00	I/O O I/O	VDDEH1b Slow	- / WKPCFG	- / WKPCFG	41	50
eTPU_A[10] eTPU_A[22] GPIO[124]	eTPU_A Ch. eTPU_A Ch. GPIO	PCR[124]	01 10 00	I/O O I/O	VDDEH1b Slow	- / WKPCFG	- / WKPCFG	40	49
eTPU_A[11] eTPU_A[23] GPIO[125]	eTPU_A Ch. eTPU_A Ch. GPIO	PCR[125]	01 10 00	I/O O I/O	VDDEH1b Slow	- / WKPCFG	- / WKPCFG	39	48
eTPU_A[12] DSPI_B_PCS[1] GPIO[126]	eTPU_A Ch. DSPI_B Periph Chip Select GPIO	PCR[126]	01 10 00	I/O O I/O	VDDEH1b Medium	- / WKPCFG	- / WKPCFG	38	47

**Table 4. SPC563Mx signal properties (continued)**

Name	Function <sup>(1)</sup>	Pad Config. Register (PCR) <sup>(2)</sup>	PCR PA Field <sup>(3)</sup>	I/O Type	Voltage <sup>(4)</sup> / Pad Type	Reset State <sup>(5)</sup>	Function / State After Reset <sup>(6)</sup>	Pin No.	
								LQFP 144	LQFP 176
eTPU_A[13] DSPI_B_PCS[3] GPIO[127]	eTPU_A Ch. DSPI_B Periph Chip Select GPIO	PCR[127]	01 10 00	I/O O I/O	VDDEH1b Medium	- / WKPCFG	- / WKPCFG	37	46
eTPU_A[14] DSPI_B_PCS[4] eTPU_A[9] GPIO[128]	eTPU_A Ch. DSPI_B Periph Chip Select eTPU_A Ch. GPIO	PCR[128]	001 010 100 000	I/O O O I/O	VDDEH1b Medium	- / WKPCFG	- / WKPCFG	35	42
eTPU_A[15] DSPI_B_PCS[5] GPIO[129]	eTPU_A Ch. DSPI_B Periph Chip Select GPIO	PCR[129]	01 10 00	I/O O I/O	VDDEH1b Medium	- / WKPCFG	- / WKPCFG	33	40
eTPU_A[16] GPIO[130]	eTPU_A Ch. GPIO	PCR[130]	01 00	I/O I/O	VDDEH1b Slow	- / WKPCFG	- / WKPCFG	32	39
eTPU_A[17] GPIO[131]	eTPU_A Ch. GPIO	PCR[131]	01 00	I/O I/O	VDDEH1b Slow	- / WKPCFG	- / WKPCFG	31	38
eTPU_A[18] GPIO[132]	eTPU_A Ch. GPIO	PCR[132]	01 00	I/O I/O	VDDEH1b Slow	- / WKPCFG	- / WKPCFG	30	37
eTPU_A[19] GPIO[133]	eTPU_A Ch. GPIO	PCR[133]	01 00	I/O I/O	VDDEH1b Slow	- / WKPCFG	- / WKPCFG	29	36
eTPU_A[20] $\overline{\text{IRQ}}[8]$ GPIO[134]	eTPU_A Ch. External Interrupt Request GPIO	PCR[134]	01 10 00	I/O I I/O	VDDEH1b Slow	- / WKPCFG	- / WKPCFG	28	35
eTPU_A[21] $\overline{\text{IRQ}}[9]$ GPIO[135]	eTPU_A Ch. External Interrupt Request GPIO	PCR[135]	01 10 00	I/O I I/O	VDDEH1a Slow	- / WKPCFG	- / WKPCFG	27	34



Table 4. SPC563Mx signal properties (continued)

Name	Function <sup>(1)</sup>	Pad Config. Register (PCR) <sup>(2)</sup>	PCR PA Field <sup>(3)</sup>	I/O Type	Voltage <sup>(4)</sup> / Pad Type	Reset State <sup>(5)</sup>	Function / State After Reset <sup>(6)</sup>	Pin No.	
								LQFP 144	LQFP 176
eTPU_A[22] $\overline{\text{IRQ}}[10]$ eTPU_A[17] GPIO[136]	eTPU_A Ch. External Interrupt Request eTPU_A Ch. External GPIO	PCR[136]	001 010 100 000	I/O I O I/O	VDDEH1a Slow	- / WKPCFG	- / WKPCFG	25	32
eTPU_A[23] $\overline{\text{IRQ}}[11]$ eTPU_A[21] GPIO[137]	eTPU_A Ch. External Interrupt Request eTPU_A Ch. External GPIO	PCR[137]	001 010 100 000	I/O I O I/O	VDDEH1a Slow	- / WKPCFG	- / WKPCFG	23	30
eTPU_A[24] <sup>(25)</sup> $\overline{\text{IRQ}}[12]$ DSPI_C_SCK_LVDS- GPIO[138]	eTPU_A Ch. External Interrupt Request DSPI_C Clock LVDS- GPIO	PCR[138]	001 010 100 000	I/O I O I/O	VDDEH1a Slow	- / WKPCFG	- / WKPCFG	21	28
eTPU_A[25] <sup>(25)</sup> $\overline{\text{IRQ}}[13]$ DSPI_C_SCK_LVDS+ GPIO[139]	eTPU_A Ch. External Interrupt Request DSPI_C Clock LVDS+ GPIO	PCR[139]	001 010 100 000	I/O I O I/O	VDDEH1a Medium	- / WKPCFG	- / WKPCFG	20	27
eTPU_A[26] <sup>(25)</sup> $\overline{\text{IRQ}}[14]$ DSPI_C_SOUT_LVDS- GPIO[140]	eTPU_A Ch. External Interrupt Request DSPI_C Data Output LVDS- GPIO	PCR[140]	001 010 100 000	I/O I O I/O	VDDEH1a Slow	- / WKPCFG	- / WKPCFG	19	26
eTPU_A[27] <sup>(25)</sup> $\overline{\text{IRQ}}[15]$ DSPI_C_SOUT_LVDS+ DSPI_B_SOUT GPIO[141]	eTPU_A Ch. External Interrupt Request DSPI_C Data Output LVDS+ DSPI_B Data Output GPIO	PCR[141]	0001 0010 0100 1000 0000	I/O I O O I/O	VDDEH1a Slow	- / WKPCFG	- / WKPCFG	18	25



**Table 4. SPC563Mx signal properties (continued)**

Name	Function <sup>(1)</sup>	Pad Config. Register (PCR) <sup>(2)</sup>	PCR PA Field <sup>(3)</sup>	I/O Type	Voltage <sup>(4)</sup> / Pad Type	Reset State <sup>(5)</sup>	Function / State After Reset <sup>(6)</sup>	Pin No.	
								LQFP 144	LQFP 176
eTPU_A[28] <sup>(25)</sup> DSPI_C_PCS[1] GPIO[142]	eTPU_A Ch. (Input and Output) DSPI_C Periph Chip Select GPIO	PCR[142]	10 01 00	I/O O I/O	VDDEH1a Medium	- / WKPCFG	- / WKPCFG	17	24
eTPU_A[29] <sup>(25)</sup> DSPI_C_PCS[2] GPIO[143]	eTPU_A Ch. (Input and Output) DSPI_C Periph Chip Select GPIO	PCR[143]	10 01 00	I/O O I/O	VDDEH1a Medium	- / WKPCFG	- / WKPCFG	16	23
eTPU_A[30] DSPI_C_PCS[3] eTPU_A[11] GPIO[144]	eTPU_A Ch. DSPI_C Periph Chip Select eTPU_A Ch. GPIO	PCR[144]	011 010 001 000	I/O O O I/O	VDDEH1a Medium	- / WKPCFG	- / WKPCFG	15	22
eTPU_A[31] DSPI_C_PCS[4] eTPU_A[13] GPIO[145]	eTPU_A Ch. DSPI_C Periph Chip Select eTPU_A Ch. GPIO	PCR[145]	011 010 001 000	I/O O O I/O	VDDEH1a Medium	- / WKPCFG	- / WKPCFG	14	21
<b>eMIOS</b>									
eMIOS[0] eTPU_A[0] eTPU_A[25] <sup>(26)</sup> GPIO[179]	eMIOS Ch. eTPU_A Ch. eTPU_A Ch. GPIO	PCR[179]	001 010 100 000	I/O O O I/O	VDDEH1b Slow	- / WKPCFG	- / WKPCFG	54	63
eMIOS[1] eTPU_A[1] GPIO[180]	eMIOS Ch. eTPU_A Ch. GPIO	PCR[180]	01 10 00	I/O O I/O	VDDEH1b Slow	- / WKPCFG	- / WKPCFG	—	64
eMIOS[2] eTPU_A[2] GPIO[181]	eMIOS Ch. eTPU_A Ch. GPIO	PCR[181]	01 10 00	I/O O I/O	VDDEH1b Slow	- / WKPCFG	- / WKPCFG	55	65



Table 4. SPC563Mx signal properties (continued)

Name	Function <sup>(1)</sup>	Pad Config. Register (PCR) <sup>(2)</sup>	PCR PA Field <sup>(3)</sup>	I/O Type	Voltage <sup>(4)</sup> / Pad Type	Reset State <sup>(5)</sup>	Function / State After Reset <sup>(6)</sup>	Pin No.	
								LQFP 144	LQFP 176
eMIOS[4] eTPU_A[4] GPIO[183]	eMIOS Ch. eTPU_A Ch. GPIO	PCR[183]	01 10 00	I/O O I/O	VDDEH6a Slow	- / WKPCFG	- / WKPCFG	56	67
eMIOS[8] eTPU_A[8] <sup>(27)</sup> SCI_B_TX GPIO[187]	eMIOS Ch. eTPU_A Ch. eSCI_B Transmit GPIO	PCR[187]	001 010 100 000	I/O O O I/O	VDDEH6a Slow	- / WKPCFG	- / WKPCFG	57	70
eMIOS[9] eTPU_A[9] <sup>(27)</sup> SCI_B_RX GPIO[188]	eMIOS Ch. eTPU_A Ch. eSCI_B Receive GPIO	PCR[188]	001 010 100 000	I/O O I I/O	VDDEH6a Slow	- / WKPCFG	- / WKPCFG	58	71
eMIOS[10] GPIO[189]	eMIOS Ch. GPIO	PCR[189]	01 00	I/O I/O	VDDEH6a Slow	- / WKPCFG	- / WKPCFG	60	73
eMIOS[11] GPIO[190]	eMIOS Ch. GPIO	PCR[190]	01 00	I/O I/O	VDDEH6a Slow	- / WKPCFG	- / WKPCFG	62	75
eMIOS[12] DSPI_C_SOUT eTPU_A[27] GPIO[191]	eMIOS Ch. DSPI C Data Output eTPU_A Ch. GPIO	PCR[191]	001 010 100 000	I/O O O I/O	VDDEH6a Medium	- / WKPCFG	- / WKPCFG	63	76
eMIOS[13] GPIO[192]	eMIOS Ch. GPIO	PCR[192]	01 00	I/O I/O	VDDEH6a	- / WKPCFG	- / WKPCFG	—	77
eMIOS[14] IRQ[0] eTPU_A[29] GPIO[193]	eMIOS Ch. External Interrupt Request eTPU_A Ch. GPIO	PCR[193]	001 010 100 000	O I O I/O	VDDEH6a Slow	- / WKPCFG	- / WKPCFG	64	78



Table 4. SPC563Mx signal properties (continued)

Name	Function <sup>(1)</sup>	Pad Config. Register (PCR) <sup>(2)</sup>	PCR PA Field <sup>(3)</sup>	I/O Type	Voltage <sup>(4)</sup> / Pad Type	Reset State <sup>(5)</sup>	Function / State After Reset <sup>(6)</sup>	Pin No.	
								LQFP 144	LQFP 176
eMIOS[15] IRQ[1] GPIO[194]	eMIOS Ch. External Interrupt Request GPIO	PCR[194]	01 10 00	O I I/O	VDDEH6a Slow	- / WKPCFG	- / WKPCFG	—	79
eMIOS[23] GPIO[202]	eMIOS Ch. GPIO	PCR[202]	01 00	I/O I/O	VDDEH6a Slow	- / WKPCFG	- / WKPCFG	65	80
<b>Clock Synthesizer</b>									
XTAL	Crystal Oscillator Output	—	—	O	VDDEH6a	O / -	XTAL <sup>(28)</sup> / -	76	93
EXTAL EXTCLK	Crystal Oscillator Input External Clock Input	—	—	I	VDDEH6a	I / -	EXTAL <sup>(29)</sup> / -	75	92
<b>Power / Ground</b>									
VDDPLL	PLL Supply Voltage	—	—	I	VDDPLL (1.2V)	I / -	—	74	91
VSSPLL <sup>(30)</sup>	PLL Ground	—	—	I	VSSPLL	I / -	—	77	94
VSTBY	Power Supply for Standby RAM	—	—	I	VSTBY	I / -	—	12	12
VRC33	3.3V Voltage Regulator Bypass Capacitor	—	—	O	VRC33	O / -	—	13	13
VRCCTL	Voltage Regulator Control Output	—	—	O	NA	O / -	—	11	11
VDDA <sup>(31)</sup>	Analog Power Input for eQADC	—	—	I	VDDA (5.0 V)	I / -	—	6	6
VDDA0	Analog Power Input for eQADC	—	—	I	VDDA	I / -	—	—	—
VSSA0	Analog Ground Input for eQADC	—	—	I	VSSA	I / -	—	—	—



Table 4. SPC563Mx signal properties (continued)

Name	Function <sup>(1)</sup>	Pad Config. Register (PCR) <sup>(2)</sup>	PCR PA Field <sup>(3)</sup>	I/O Type	Voltage <sup>(4)</sup> / Pad Type	Reset State <sup>(5)</sup>	Function / State After Reset <sup>(6)</sup>	Pin No.	
								LQFP 144	LQFP 176
VDDA1	Analog Power Input for eQADC	—	—	I	VDDA	I/-	—	—	—
VSSA1	Analog Ground Input for eQADC	—	—	I	VSSA	I/-	—	—	—
VSSA <sup>(32)</sup>	Analog Ground Input for eQADC	—	—	I	VSSA	I/-	—	7	7
VDDREG	Voltage Regulator Supply	—	—	I	VDDREG (5.0 V)	I/-	—	10	10
VDD	Internal Logic Supply Input	—	—	I	VDD (1.2 V)	I/-	—	26, 53, 86, 120	33, 62, 103, 149
VSS	Ground	—	—	-	VSS0	I/-	—	22, 36, 48, 59, 73, 79, 91, 104, 115	15, 29, 43, 57, 72, 90, 96, 108, 115, 127, 133, 140
VDDEH1A <sup>(33)</sup> VDDEH1B <sup>(33)</sup>	I/O Supply Input	—	—	I	VDDEH1 <sup>(34)</sup> (3.3V – 5.0V)	I/-	—	24, 34, 46	31, 41, 55
VDDEH6a <sup>(35),(36)</sup> VDDEH6b <sup>(36)</sup>	I/O Supply Input	—	—	I	VDDEH6 (3.3V – 5.0V)	I/-	—	78, 93, 61	95, 110, 74
VDDEH6	I/O Supply Input	—	—	I	VDDEH6	I/-	—	—	—
VDDEH7	I/O Supply Input	—	—	I	VDDEH7 <sup>(37)</sup> (3.3V – 5.0V)	I/-	—	102, 113	125, 138

1. For each pin in the table, each line in the Function column is a separate function of the pin. For all I/O pins the selection of primary pin function or secondary function or GPIO is done in the SIU except where explicitly noted.



2. Values in this column refer to registers in the System Integration Unit (SIU). The actual register name is "SIU\_PCR" suffixed by the PCR number. For example, PCR[190] refers to the SIU register named SIU\_PCR190.
3. The Pad Configuration Register (PCR) PA field is used by software to select pin function.
4. The VDDE and VDDEH supply inputs are broken into segments. Each segment of slow I/O pins (VDDEH) may have a separate supply in the 3.3 V to 5.0 V range (-10 %/+5 %). Each segment of fast I/O (VDDE) may have a separate supply in the 1.8 V to 3.3 V range (+/- 10 %).
5. Terminology is O — output, I — input, Up — weak pull up enabled, Down — weak pull down enabled, Low — output driven low, High — output driven high. A dash for the function in this column denotes that both the input and output buffer are turned off.
6. Function after reset of GPI is general purpose input. A dash for the function in this column denotes that both the input and output buffer are turned off.
7. The GPIO functions on GPIO[206] and GPIO[207] can be selected as trigger functions in the SIU for the ADC by making the proper selections in the SIU\_ETISR and SIU\_ISEL3 registers in the SIU.
8. Some signals in this section are available only on calibration package.
9. These pins are only available in the calibration package.
10. On the calibration package, the Nexus function on this pin is enabled when the NEXUSCFG pin is high and Nexus is configured to full port mode. On the 176-pin package, the Nexus function on this pin is enabled permanently. Do not connect the Nexus MDO or MSEO pins directly to a power supply or ground.
11. In the calibration package, the I/O segment containing this pin is called VDDE12.
12. When configured as Nexus (calibration package with NEXUSCFG=1), and JCOMP is asserted during reset, MDO[0] is driven high until the crystal oscillator becomes stable, at which time it is then negated.
13. The function of this pin is Nexus when NEXUSCFG is high.
14. High when the pin is configured to Nexus, low otherwise.
15. O/Low for the calibration with NEXUSCFG=0; I/Up otherwise.
16. ALT\_ADDR/Low for the calibration package with NEXUSCFG=0;  $\overline{\text{EVTI}}$ /Up otherwise.
17. In 176-pin package, the Nexus function is disabled and the pin/ball has the secondary function
18. This signal is not available in the 176-pin package.
19. The primary function is not selected via the PA field when the pin is a Nexus signal. Instead, it is activated by the Nexus controller.
20. TDI and TDO are required for JTAG operation.
21. The primary function is not selected via the PA field when the pin is a JTAG signal. Instead, it is activated by the JTAG controller.
22. The function and state of the CAN\_A and eSCI\_A pins after execution of the BAM program is determined by the BOOTCFG1 pin.
23. Connect an external 10K pull-up resistor to the SCI\_A\_RX pin to ensure that the pin is driven high during CAN serial boot.
24. For pins AN[0:7], during and just after POR negates, internal pull resistors can be enabled, resulting in as much as 4 mA of current draw. The pull resistors are disabled when the system clock propagates through the device.
25. ETPUA[24:29] are input and output. The input muxing is controlled by SIU\_ISEL8 register.
26. eTPU\_A[25] is an output only function.
27. Only the output channels of eTPU[8:9] are connected to pins.
28. The function after reset of the XTAL pin is determined by the value of the signal on the PLLCFG[1] pin. When bypass mode is chosen XTAL has no function and should be grounded.
29. The function after reset of the EXTAL\_EXTCLK pin is determined by the value of the signal on the PLLCFG[1] pin. If the EXTCLK function is chosen, the valid operating voltage for the pin is 1.62 V to 3.6 V. If the EXTAL function is chosen, the valid operating voltage is 3.3 V.

30. VSSPLL and VSSREG are connected to the same pin.
31. This pin is shared by two pads: VDDA\_AN, using pad\_vdde\_hv, and VDDA\_DIG, using pad\_vdde\_int\_hv.
32. This pin is shared by two pads: VSSA\_AN, using pad\_vsse\_hv, and VSSA\_DIG, using pad\_vsse\_int\_hv.
33. VDDEH1A, VDDEH1B, and VDDEH1AB are shorted together in all production packages. The separation of the signal names is present to support legacy naming, however they should be considered as the same signal in this document.
34. LVDS pins will not work at 3.3 V.
35. The VDDEH6 segment may be powered from 3.0 V to 5.0 V for mux address or SSI functions, but must meet the VDDA specifications of 4.5 V to 5.25 V for analog input function.
36. VDDEH6A and VDDEH6B are shorted together in all production packages. The separation of the signal names is present to support legacy naming, however they should be considered as the same signal in this document.
37. If using JTAG or Nexus, the I/O segment that contains the JTAG and Nexus pins must be powered by a 5 V supply. The 3.3 V Nexus/JTAG signals are derived from the 5 volt power supply.

Table 5. Pad types

Pad Type	Name	Supply Voltage
Slow	pad_ssr_hv	3.0 V – 5.25 V
Medium	pad_msr_hv	3.0 V – 5.25 V
Fast	pad_fc	3.0 V – 3.6 V
MultiV	pad_multiv_hv	3.0 V – 5.25 V (high swing mode) 4.5 V – 5.25 V (low swing mode)
Analog	pad_ae_hv	0.0 – 5.25 V
LVDS	pad_lo_lv	—

### 3.4 Signal details

Table 6 contains details on the multiplexed signals that appear in Table 4.

Table 6. Signal details

Signal	Module or Function	Description
CLKOUT	Clock Generation	SPC563Mxx clock output for the calibration bus interface
EXTAL	Clock Generation	Input pin for an external crystal oscillator or an external clock source based on the value driven on the PLLREF pin at reset.
EXTCLK	Clock Generation	External clock input
PLLREF	Clock Generation	PLLREF is used to select whether the oscillator operates in xtal mode or external reference mode from reset. PLLREF=0 selects external reference mode.
XTAL	Clock Generation	Crystal oscillator input
SCK_B_LVDS– SCK_B_LVDS+	DSPI	LVDS pair used for DSPI_B TSB mode transmission
SOUT_B_LVDS– SOUT_B_LVDS+	DSPI	LVDS pair used for DSPI_B TSB mode transmission
SCK_C_LVDS– SCK_C_LVDS+	DSPI	LVDS pair used for DSPI_C TSB mode transmission
SOUT_C_LVDS– SOUT_C_LVDS+	DSPI	LVDS pair used for DSPI_C TSB mode transmission
PCS_B[0] PCS_C[0]	DSPI_B – DSPI_C	Peripheral chip select when device is in master mode—slave select when used in slave mode
PCS_B[1:5] PCS_C[1:5]	DSPI_B – DSPI_C	Peripheral chip select when device is in master mode—not used in slave mode
SCK_B SCK_C	DSPI_B – DSPI_C	DSPI clock—output when device is in master mode; input when in slave mode
SIN_B SIN_C	DSPI_B – DSPI_C	DSPI data in

Table 6. Signal details (continued)

Signal	Module or Function	Description
SOUT_B SOUT_C	DSPI_B – DSPI_C	DSPI data out
CAL_ADDR[12:30]	Calibration Bus	The CAL_ADDR[12:30] signals specify the physical address of the bus transaction.
CAL_CS[0:3]	Calibration Bus	$\overline{CS}_x$ is asserted by the master to indicate that this transaction is targeted for a particular memory bank on the Primary external bus.
CAL_DATA[0:15]	Calibration Bus	The CAL_DATA[0:15] signals contain the data to be transferred for the current transaction.
CAL_OE	Calibration Bus	$\overline{OE}$ is used to indicate when an external memory is permitted to drive back read data. External memories must have their data output buffers off when $\overline{OE}$ is negated. $\overline{OE}$ is only asserted for chip-select accesses.
CAL_RD_WR	Calibration Bus	$\overline{RD\_WR}$ indicates whether the current transaction is a read access or a write access.
CAL_TS_ALE	Calibration Bus	The Transfer Start signal ( $\overline{TS}$ ) is asserted by the SPC563Mxx to indicate the start of a transfer. The Address Latch Enable (ALE) signal is used to demultiplex the address from the data bus.
CAL_EVT0	Calibration Bus	Nexus Event Out
CAL_MCKO	Calibration Bus	Nexus Message Clock Out
NEXUSCFG	Nexus/Calibration Bus	Nexus/Calibration Bus selector
eMIOS[0:23]	eMIOS	eMIOS I/O channels
AN[0:39]	eQADC	Single-ended analog inputs for analog-to-digital converter
FCK	eQADC	eQADC free running clock for eQADC SSI.
MA[0:2]	eQADC	These three control bits are output to enable the selection for an external Analog Mux for expansion channels.
REFBYPC	eQADC	Bypass capacitor input
SDI	eQADC	Serial data in
SDO	eQADC	Serial data out
SDS	eQADC	Serial data select
VRH	eQADC	Voltage reference high input
VRL	eQADC	Voltage reference low input
SCI_A_RX SCI_B_RX	eSCI_A – eSCI_B	eSCI receive
SCI_A_TX SCI_B_TX	eSCI_A – eSCI_B	eSCI transmit
ETPU_A[0:31]	eTPU	eTPU I/O channel
CAN_A_TX CAN_C_TX	FlexCAN_A – FlexCAN_C	FlexCAN transmit



Table 6. Signal details (continued)

Signal	Module or Function	Description
CAN_A_RX CAN_C_RX	FlexCAN_A – FlexCAN_C	FlexCAN receive
JCOMP	JTAG	Enables the JTAG TAP controller.
TCK	JTAG	Clock input for the on-chip test and debug logic.
TDI	JTAG	Serial test instruction and data input for the on-chip test and debug logic.
TDO	JTAG	Serial test data output for the on-chip test logic.
TMS	JTAG	Controls test mode operations for the on-chip test and debug logic.
EVTI	Nexus	$\overline{\text{EVTI}}$ is an input that is read on the negation of $\overline{\text{RESET}}$ to enable or disable the Nexus Debug port. After reset, the EVTI pin is used to initiate program synchronization messages or generate a breakpoint.
EVTO	Nexus	Output that provides timing to a development tool for a single watchpoint or breakpoint occurrence.
MCKO	Nexus	MCKO is a free running clock output to the development tools which is used for timing of the MDO and MSEO signals.
MDO[3:0]	Nexus	Trace message output to development tools. This pin also indicates the status of the crystal oscillator clock following a power-on reset, when MDO[0] is driven high until the crystal oscillator clock achieves stability and is then negated.
$\overline{\text{MSEO}}$ [1:0]	Nexus	Output pin—Indicates the start or end of the variable length message on the MDO pins
BOOTCFG[1]	SIU – Configuration	The BOOTCFG1 pin is sampled during the assertion of the RSTOUT signal, and the value is used to update the RSR and the BAM boot mode The following values are for BOOTCFG[0:1]: 0 Boot from internal Flash memory 1 FlexCAN/eSCI boot
WKPCFG	SIU – Configuration	The WKPCFG pin is applied at the assertion of the internal reset signal (assertion of RSTOUT), and is sampled 4 clock cycles before the negation of the RSTOUT pin. The value is used to configure whether the eTPU and eMIOS pins are connected to internal weak pull up or weak pull down devices after reset. The value latched on the WKPCFG pin at reset is stored in the Reset Status Register (RSR), and is updated for all reset sources except the Debug Port Reset and Software External Reset. 0: Weak pulldown applied to eTPU and eMIOS pins at reset 1: Weak pullup applied to eTPU and eMIOS pins at reset.
ETRIG[2:3]	SIU – eQADC Triggers	External signal eTRIGx triggers eQADC CFIFOx
IRQ[0:15]	SIU – External Interrupts	The IRQ[0:15] pins connect to the SIU IRQ inputs. IMUX Select Register 1 is used to select the IRQ[0:15] pins as inputs to the IRQs.

**Table 6. Signal details (continued)**

Signal	Module or Function	Description
NMI	SIU – External Interrupts	Non-Maskable Interrupt
GPIO[n]	SIU – GPIO	Configurable general purpose I/O pins. Each GPIO input and output is separately controlled by an 8-bit input (GPDI) or output (GPDO) register. Additionally, each GPIO pins is configured using a dedicated SIU_PCR register. The GPIO pins are generally multiplexed with other I/O pin functions.
RESET	SIU – Reset	The $\overline{\text{RESET}}$ pin is an active low input. The $\overline{\text{RESET}}$ pin is asserted by an external device during a power-on or external reset. The internal reset signal asserts only if the $\overline{\text{RESET}}$ pin asserts for 10 clock cycles. Assertion of the $\overline{\text{RESET}}$ pin while the device is in reset causes the reset cycle to start over. The $\overline{\text{RESET}}$ pin has a glitch detector which detects spikes greater than two clock cycles in duration that fall below the switch point of the input buffer logic of the VDDEH input pins. The switch point lies between the maximum VIL and minimum VIH specifications for the VDDEH input pins.
RSTOUT	SIU – Reset	The $\overline{\text{RSTOUT}}$ pin is an active low output that uses a push/pull configuration. The $\overline{\text{RSTOUT}}$ pin is driven to the low state by the MCU for all internal and external reset sources. There is a delay between initiation of the reset and the assertion of the $\overline{\text{RSTOUT}}$ pin.

*Table 7* gives the power/ground segmentation of the SPC563Mx MCU. Each segment provides the power and ground for the given set of I/O pins, and can be powered by any of the allowed voltages regardless of the power on the other segments.

**Table 7. SPC563Mx Power/Ground Segmentation**

Power Segment	144-LQFP Pin Number	176-LQFP Pin Number	Voltage Range <sup>(1)</sup>	I/O Pins Powered by Segment
VDDA0	6	6	5.0 V	AN[0:7], AN[9], AN[11], AN[16:18], AN[21:25], AN[27:28], AN[30:37], AN38, AN39, VRL, REFBYPC, VRH
VDDEH1 (a, b)	24, 34	31, 41	3.3 V – 5.0 V	PCKCFG[2], eTPU_A[0:31], eMIOS[0:2]

Table 7. SPC563Mx Power/Ground Segmentation (continued)

Power Segment	144-LQFP Pin Number	176-LQFP Pin Number	Voltage Range <sup>(1)</sup>	I/O Pins Powered by Segment
VDDEH6 (a, b)	78, 93	95, 110	3.3 V – 5.0 V	$\overline{\text{RESET}}$ , $\overline{\text{RSTOUT}}$ , WKPCFG, BOOTCFG1, PLLREF, SCK_B, PCKCFG[0], CAN_A_TX, CAN_A_RX, CAN_C_TX, CAN_C_RX, SCI_A_TX, SCI_A_RX, SCI_B_TX, SCI_B_RX, SCK_B, SIN_B, SOUT_B, DSPI_B_PCS_B[0:5], eMIOS[4], eMIOS[8:15], eMIOS[23], XTAL, EXTAL
VDDEH7 <sup>(2)</sup>	102, 113	125, 138	3.3 V – 5.0 V	PCKCFG[1], MDO[0:3], $\overline{\text{EVTI}}$ , $\overline{\text{EVTO}}$ , MCKO, MSEO[0:1], TDO, TDI, TMS, TCK, JCOMP, AN[12:15] (GPIO[98:99], GPIO[206:207])
VDDE12 <sup>(3)</sup>	—	16, 119	1.8 V – 3.3 V	CAL_ADDR[12:30], CAL_DATA[0:15], CAL_CS[0], CAL_CS[2:3], CAL_RD_W $\overline{\text{R}}$ , CAL_W $\overline{\text{E}}$ [0:1], CAL_ $\overline{\text{OE}}$ , CAL_ $\overline{\text{TS}}$ , ALT_MCKO, ALT_ $\overline{\text{EVTO}}$ , NEXUSCFG

1. These are nominal voltages. All VDDE and VDDEH voltages are –5 %, +10 % (VDDE 1.62 V to 3.6 V, VDDEH 3.0 V to 5.5 V). VDDA is +5 %, –10 %.
2. The VDDEH7 segment may be powered from 3.0 V to 5.0 V for mux address or SSI functions, but must meet the VDDA specifications of 4.5 V to 5.25 V for analog input function.
3. In the calibration package this signal is named VDDE12.

## 4 Electrical characteristics

This section contains detailed information on power considerations, DC/AC electrical characteristics, and AC timing specifications for the SPC563Mxx series of MCUs. In the tables where the device logic provides signals with their respective timing characteristics, the symbol “CC” for Controller Characteristics is included in the Symbol column.

In the tables where the external system must provide signals with their respective timing characteristics to the device, the symbol “SR” for System Requirement is included in the Symbol column.

### 4.1 Parameter classification

The electrical parameters shown in this document are guaranteed by various methods. To provide a better understanding, the classifications listed in [Table 8](#) are used and the parameters are tagged accordingly in the tables. Note that only Controller Characteristics (“CC”) are classified. System Requirements (“SR”) are operating conditions that must be provided to ensure normal device operation.

**Table 8. Parameter classifications**

Classification tag	Tag description
P	Those parameters are guaranteed during production testing on each individual device.
C	Those parameters are achieved by the design characterization by measuring a statistically relevant sample size across process variations.
T	Those parameters are achieved by design characterization on a small sample size from typical devices under typical conditions unless otherwise noted. All values shown in the typical column are within this category.
D	Those parameters are derived mainly from simulations.

*Note:* The classification is shown in the column labeled “C” in the parameter tables where appropriate.

### 4.2 Maximum ratings

**Table 9. Absolute maximum ratings<sup>(1)</sup>**

Symbol		Parameter	Conditions	Value		Unit
				min	max	
V <sub>DD</sub>	SR	1.2 V core supply voltage <sup>(2)</sup>		- 0.3	1.32	V
V <sub>FLASH</sub>	SR	Flash core voltage <sup>(3)</sup>		- 0.3	5.5	V
V <sub>STBY</sub>	SR	SRAM standby voltage <sup>(4)</sup>		- 0.3	5.5	V
V <sub>DDPLL</sub>	SR	Clock synthesizer voltage		- 0.3	1.32	V
V <sub>RC33</sub> <sup>(5)</sup>	SR	Voltage regulator control input voltage		- 0.3	3.6	V

Table 9. Absolute maximum ratings<sup>(1)</sup> (continued)

Symbol		Parameter	Conditions	Value		Unit
				min	max	
V <sub>DDA</sub>	SR	Analog supply voltage <sup>(4)</sup>	Reference to V <sub>SSA</sub>	- 0.3	5.5	V
V <sub>DDE</sub>	SR	I/O supply voltage <sup>(6)</sup>		- 0.3	3.6	V
V <sub>DDEH</sub>	SR	I/O supply voltage <sup>(4)</sup>		- 0.3	5.5	V
V <sub>IN</sub>	SR	DC input voltage <sup>(7)</sup>	V <sub>DDEH</sub> powered I/O pads	-1.0 <sup>(8)</sup>	V <sub>DDEH</sub> + 0.3 V <sup>(9)</sup>	V
			V <sub>DDE</sub> powered I/O pads	-1.0 <sup>(10)</sup>	V <sub>DDE</sub> + 0.3 V <sup>(10)</sup>	
			V <sub>DDA</sub> powered I/O pads	-1.0	V <sub>DDA</sub> + 0.3 V	
V <sub>DDREG</sub>	SR	Voltage regulator supply voltage <sup>(6)</sup>		- 0.3	5.5	V
V <sub>RH</sub>	SR	Analog reference high voltage	Reference to V <sub>RL</sub>	- 0.3	5.5	V
V <sub>SS</sub> - V <sub>SSA</sub>	SR	V <sub>SS</sub> differential voltage		- 0.1	0.1	V
V <sub>RH</sub> - V <sub>RL</sub>	SR	V <sub>REF</sub> differential voltage <sup>(6)</sup>		- 0.3	5.5	V
V <sub>RL</sub> - V <sub>SSA</sub>	SR	V <sub>RL</sub> to V <sub>SSA</sub> differential voltage		- 0.3	0.3	V
V <sub>SSPLL</sub> - V <sub>SS</sub>	SR	V <sub>SSPLL</sub> to V <sub>SS</sub> differential voltage		- 0.1	0.1	V
I <sub>MAXD</sub>	SR	Maximum DC digital input current <sup>(11)</sup>	Per pin, applies to all digital pins	- 3	3	mA
I <sub>MAXA</sub>	SR	Maximum DC analog input current <sup>(12)</sup>	Per pin, applies to all analog pins	—	5	mA
T <sub>J</sub>	SR	Maximum operating temperature range <sup>(13)</sup> – die junction temperature		- 40.0	150.0	°C
T <sub>STG</sub>	SR	Storage temperature range		- 55.0	150.0	°C
T <sub>SDR</sub>	SR	Maximum solder temperature <sup>(14)</sup>		—	260.0	°C
MSL	SR	Moisture sensitivity level <sup>(15)</sup>		—	3	—

1. Functional operating conditions are given in the DC electrical specifications. Absolute maximum ratings are stress ratings only, and functional operation at the maxima is not guaranteed. Stress beyond the listed maxima may affect device reliability or cause permanent damage to the device.
2. Allowed 2 V for 10 hours cumulative time, remaining time at 1.2 V +10%.
3. The V<sub>FLASH</sub> supply is connected to V<sub>DDEH1</sub>.
4. Allowed 6.8 V for 10 hours cumulative time, remaining time at 5 V +10%.
5. The pin named as V<sub>RC33</sub> is internally connected to the pads V<sub>FLASH</sub> and V<sub>RC33</sub> in the LQFP144 package. These limits apply when the internal regulator is disabled and V<sub>RC33</sub> power is supplied externally.
6. All functional non-supply I/O pins are clamped to V<sub>SS</sub> and V<sub>DDE</sub>, or V<sub>DDEH</sub>.
7. AC signal overshoot and undershoot of up to 2.0 V of the input voltages is permitted for an accumulative duration of 60 hours over the complete lifetime of the device (injection current not limited for this duration).

8. Internal structures hold the voltage greater than -1.0 V if the injection current limit of 2 mA is met.
9. Internal structures hold the input voltage less than the maximum voltage on all pads powered by  $V_{DDEH}$  supplies, if the maximum injection current specification is met (2 mA for all pins) and  $V_{DDEH}$  is within the operating voltage specifications.
10. Internal structures hold the input voltage less than the maximum voltage on all pads powered by  $V_{DDE}$  supplies, if the maximum injection current specification is met (2 mA for all pins) and  $V_{DDE}$  is within the operating voltage specifications.
11. Total injection current for all pins (including both digital and analog) must not exceed 25 mA.
12. Total injection current for all analog input pins must not exceed 15 mA.
13. Lifetime operation at these specification limits is not guaranteed.
14. Solder profile per CDF-AEC-Q100.
15. Moisture sensitivity per JEDEC test method A112.

### 4.3 Thermal characteristics

**Table 10. Thermal characteristics for 144-pin LQFP**

Symbol	C	D	Parameter	Conditions	Value	Unit
$R_{\theta JA}$	CC	D	Junction-to-Ambient, Natural Convection <sup>(1)</sup>	Single layer board – 1s	43	°C/W
$R_{\theta JA}$	CC	D	Junction-to-Ambient, Natural Convection <sup>(2)</sup>	Four layer board – 2s2p	35	°C/W
$R_{\theta JMA}$	CC	D	Junction-to-Ambient (@200 ft/min) <sup>(2)</sup>	Single layer board – 1s	34	°C/W
$R_{\theta JMA}$	CC	D	Junction-to-Ambient (@200 ft/min) <sup>(2)</sup>	Four layer board – 2s2p	29	°C/W
$R_{\theta JB}$	CC	D	Junction-to-Board <sup>(2)</sup>		22	°C/W
$R_{\theta Jctop}$	CC	D	Junction-to-Case (Top) <sup>(3)</sup>		8	°C/W
$\Psi_{JT}$	CC	D	Junction-to-Package Top, Natural Convection <sup>(4)</sup>		2	°C/W

1. Junction-to-Ambient Thermal Resistance determined per JEDEC JESD51-3 and JESD51-6. Thermal test board meets JEDEC specification for this package.
2. Junction-to-Board thermal resistance determined per JEDEC JESD51-8. Thermal test board meets JEDEC specification for the specified package.
3. Junction-to-Case at the top of the package determined using MIL-STD 883 Method 1012.1. The cold plate temperature is used for the case temperature. Reported value includes the thermal resistance of the interface layer.
4. Thermal characterization parameter indicating the temperature difference between the package top and the junction temperature per JEDEC JESD51-2. When Greek letters are not available, the thermal characterization parameter is written as Psi-JT.

**Table 11. Thermal characteristics for 176-pin LQFP**

Symbol	C	D	Parameter	Conditions	Value	Unit
$R_{\theta JA}$	CC	D	Junction-to-Ambient, Natural Convection <sup>(1)</sup>	Single layer board - 1s	38	°C/W
$R_{\theta JA}$	CC	D	Junction-to-Ambient, Natural Convection <sup>(2)</sup>	Four layer board - 2s2p	31	°C/W
$R_{\theta JMA}$	CC	D	Junction-to-Moving-Air, Ambient <sup>(2)</sup>	@200 ft./min., single layer board - 1s	30	°C/W
$R_{\theta JMA}$	CC	D	Junction-to-Moving-Air, Ambient <sup>(2)</sup>	@200 ft./min., four layer board - 2s2p	25	°C/W
$R_{\theta JB}$	CC	D	Junction-to-Board <sup>(2)</sup>		20	°C/W

Table 11. Thermal characteristics for 176-pin LQFP (continued)

Symbol		C	Parameter	Conditions	Value	Unit
$R_{\theta J C top}$	CC	D	Junction-to-Case <sup>(3)</sup>		5	°C/W
$\Psi_{JT}$	CC	D	Junction-to-Package Top, Natural Convection <sup>(4)</sup>		2	°C/W

1. Junction-to-Ambient Thermal Resistance determined per JEDEC JESD51-3 and JESD51-6. Thermal test board meets JEDEC specification for this package.
2. Junction-to-Board thermal resistance determined per JEDEC JESD51-8. Thermal test board meets JEDEC specification for the specified package.
3. Junction-to-Case at the top of the package determined using MIL-STD 883 Method 1012.1. The cold plate temperature is used for the case temperature. Reported value includes the thermal resistance of the interface layer.
4. Thermal characterization parameter indicating the temperature difference between the package top and the junction temperature per JEDEC JESD51-2. When Greek letters are not available, the thermal characterization parameter is written as Psi-JT.

### 4.3.1 General notes for specifications at maximum junction temperature

An estimation of the chip junction temperature,  $T_J$ , can be obtained from the equation:

$$\text{Equation 1 } T_J = T_A + (R_{\theta JA} * P_D)$$

where:

$T_A$  = ambient temperature for the package (°C)

$R_{\theta JA}$  = junction-to-ambient thermal resistance (°C/W)

$P_D$  = power dissipation in the package (W)

The thermal resistance values used are based on the JEDEC JESD51 series of standards to provide consistent values for estimations and comparisons. The difference between the values determined for the single-layer (1s) board compared to a four-layer board that has two signal layers, a power and a ground plane (2s2p), demonstrate that the effective thermal resistance is not a constant. The thermal resistance depends on the:

- Construction of the application board (number of planes)
- Effective size of the board which cools the component
- Quality of the thermal and electrical connections to the planes
- Power dissipated by adjacent components

Connect all the ground and power balls to the respective planes with one via per ball. Using fewer vias to connect the package to the planes reduces the thermal performance. Thinner planes also reduce the thermal performance. When the clearance between the vias leave the planes virtually disconnected, the thermal performance is also greatly reduced.

As a general rule, the value obtained on a single-layer board is within the normal range for the tightly packed printed circuit board. The value obtained on a board with the internal planes is usually within the normal range if the application board has:

- One oz. (35 micron nominal thickness) internal planes
- Components are well separated
- Overall power dissipation on the board is less than 0.02 W/cm<sup>2</sup>

The thermal performance of any component depends on the power dissipation of the surrounding components. In addition, the ambient temperature varies widely within the application. For many natural convection and especially closed box applications, the board

temperature at the perimeter (edge) of the package is approximately the same as the local air temperature near the device. Specifying the local ambient conditions explicitly as the board temperature provides a more precise description of the local ambient conditions that determine the temperature of the device.

At a known board temperature, the junction temperature is estimated using the following equation:

$$\text{Equation 2 } T_J = T_B + (R_{\theta JB} * P_D)$$

where:

$T_B$  = board temperature for the package perimeter ( $^{\circ}\text{C}$ )

$R_{\theta JB}$  = junction-to-board thermal resistance ( $^{\circ}\text{C}/\text{W}$ ) per JESD51-8S

$P_D$  = power dissipation in the package (W)

When the heat loss from the package case to the air does not factor into the calculation, an acceptable value for the junction temperature is predictable. Ensure the application board is similar to the thermal test condition, with the component soldered to a board with internal planes.

The thermal resistance is expressed as the sum of a junction-to-case thermal resistance plus a case-to-ambient thermal resistance:

$$\text{Equation 3 } R_{\theta JA} = R_{\theta JC} + R_{\theta CA}$$

where:

$R_{\theta JA}$  = junction-to-ambient thermal resistance ( $^{\circ}\text{C}/\text{W}$ )

$R_{\theta JC}$  = junction-to-case thermal resistance ( $^{\circ}\text{C}/\text{W}$ )

$R_{\theta CA}$  = case to ambient thermal resistance ( $^{\circ}\text{C}/\text{W}$ )

$R_{\theta JC}$  is device related and is not affected by other factors. The thermal environment can be controlled to change the case-to-ambient thermal resistance,  $R_{\theta CA}$ . For example, change the air flow around the device, add a heat sink, change the mounting arrangement on the printed circuit board, or change the thermal dissipation on the printed circuit board surrounding the device. This description is most useful for packages with heat sinks where 90% of the heat flow is through the case to heat sink to ambient. For most packages, a better model is required.

A more accurate two-resistor thermal model can be constructed from the junction-to-board thermal resistance and the junction-to-case thermal resistance. The junction-to-case thermal resistance describes when using a heat sink or where a substantial amount of heat is dissipated from the top of the package. The junction-to-board thermal resistance describes the thermal performance when most of the heat is conducted to the printed circuit board. This model can be used to generate simple estimations and for computational fluid dynamics (CFD) thermal models.

To determine the junction temperature of the device in the application on a prototype board, use the thermal characterization parameter ( $\Psi_{JT}$ ) to determine the junction temperature by measuring the temperature at the top center of the package case using the following equation:

$$\text{Equation 4 } T_J = T_T + (\Psi_{JT} * P_D)$$



where:

- $T_T$  = thermocouple temperature on top of the package ( $^{\circ}\text{C}$ )
- $\Psi_{JT}$  = thermal characterization parameter ( $^{\circ}\text{C}/\text{W}$ )
- $P_D$  = power dissipation in the package (W)

The thermal characterization parameter is measured in compliance with the JESD51-2 specification using a 40-gauge type T thermocouple epoxied to the top center of the package case. Position the thermocouple so that the thermocouple junction rests on the package. Place a small amount of epoxy on the thermocouple junction and approximately 1 mm of wire extending from the junction. Place the thermocouple wire flat against the package case to avoid measurement errors caused by the cooling effects of the thermocouple wire.

References:

Semiconductor Equipment and Materials International

3081 Zanker Road

San Jose, CA 95134

USA

(408) 943-6900

MIL-SPEC and EIA/JESD (JEDEC) specifications are available from Global Engineering Documents at 800-854-7179 or 303-397-7956.

JEDEC specifications are available on the [jedec.org](http://jedec.org) web site.

- C.E. Triplett and B. Joiner, "An Experimental Characterization of a 272 PBGA Within an Automotive Engine Controller Module," Proceedings of SemiTherm, San Diego, 1998, pp. 47-54.
- G. Kromann, S. Shidore, and S. Addison, "Thermal Modeling of a PBGA for Air-Cooled Applications", Electronic Packaging and Production, pp. 53-58, March 1998.
- B. Joiner and V. Adams, "Measurement and Simulation of Junction to Board Thermal Resistance and Its Application in Thermal Modeling," Proceedings of SemiTherm, San Diego, 1999, pp. 212-220.

### 4.4 Electromagnetic Interference (EMI) characteristics

Table 12. EMI testing specifications<sup>(1)</sup>

Symbol	Parameter	Conditions	f <sub>osc</sub> /f <sub>BUS</sub>	Frequency	Level (Typ)	Unit
Radiated Emissions	V <sub>EME</sub>	Device Configuration, test conditions and EM testing per standard IEC61967-2; Supply Voltage = 5.0V DC, Ambient Temperature = 25 °C, Worst-case Orientation	Oscillator Frequency = 8 MHz; System Bus Frequency = 80 MHz; No PLL Frequency Modulation	150 kHz – 50 MHz	26	dB $\mu$ V
				50–150 MHz	24	
				150–500 MHz	24	
				500–1000 MHz	21	
				IEC Level	K	—
			Oscillator Frequency = 8 MHz; System Bus Frequency = 80 MHz; 1% PLL Frequency Modulation	150 kHz – 50 MHz	20	dB $\mu$ V
				50–150 MHz	19	
				150–500 MHz	14	
				500–1000 MHz	7	
				IEC Level	L	—

1. IEC Classification Level: L = 24 dB $\mu$ V; K = 30 dB $\mu$ V.

### 4.5 Electromagnetic static discharge (ESD) characteristics

Table 13. ESD ratings<sup>(1),(2)</sup>

Symbol	Parameter	Conditions	Value	Unit
—	SR	ESD for Human Body Model (HBM)	—	2000 V
R1	SR	HBM circuit description	—	1500 $\Omega$
C	SR		—	100 pF
—	SR	ESD for field induced charge Model (FCDM)	All pins	500 V
			Corner pins	750
—	SR	Number of pulses per pin	Positive pulses (HBM)	1 —
			Negative pulses (HBM)	1 —
—	SR	Number of pulses	—	1 —

1. All ESD testing is in conformity with CDF-AEC-Q100 Stress Test Qualification for Automotive Grade Integrated Circuits.

2. Device failure is defined as: “If after exposure to ESD pulses, the device does not meet the device specification requirements, which includes the complete DC parametric and functional testing at room temperature and hot temperature.”



## 4.6 Power Management Control (PMC) and Power On Reset (POR) electrical specifications

Table 14. PMC Operating conditions and external regulators supply voltage

ID	Name	C	Parameter	Min	Typ	Max	Unit	
1	Jtemp	SR	—	Junction temperature	-40	27	150	°C
2	Vddreg	SR	—	PMC 5 V supply voltage VDDREG	4.75 <sup>(1)</sup>	5	5.25	V
3	Vdd	SR	—	Core supply voltage 1.2 V VDD when external regulator is used without disabling the internal regulator (PMC unit turned on, LVI monitor active) <sup>(2)</sup>	1.26 <sup>(3)</sup>	1.3	1.32	V
3a	—	SR	—	Core supply voltage 1.2 V VDD when external regulator is used with a disabled internal regulator (PMC unit turned-off, LVI monitor disabled)	1.14	1.2	1.32	V
4	lvdd	SR	—	Voltage regulator core supply maximum DC output current <sup>(4)</sup>	400	—	—	mA
5	Vdd33	SR	—	Regulated 3.3 V supply voltage when external regulator is used without disabling the internal regulator (PMC unit turned-on, internal 3.3V regulator enabled, LVI monitor active) <sup>(5)</sup>	3.3	3.45	3.6	V
5a	—	SR	—	Regulated 3.3 V supply voltage when external regulator is used with a disabled internal regulator (PMC unit turned-off, LVI monitor disabled)	3	3.3	3.6	V
6	—	SR	—	Voltage regulator 3.3 V supply maximum required DC output current	80	—	—	mA

1. During start up operation the minimum required voltage to come out of reset state is 4.6 V.
2. An internal regulator controller can be used to regulate core supply.
3. The minimum supply required for the part to exit reset and enter in normal run mode is 1.28 V.
4. The on chip regulator can support a minimum of 400 ma although the worst case core current is 180 ma.
5. An internal regulator can be used to regulate 3.3 V supply.

Table 15. PMC electrical characteristics

ID	Name	C	Parameter	Min	Typ	Max	Unit	Notes	
1	Vbg	CC	C	Nominal bandgap voltage reference	—	1.219	—	V	
1a	—	CC	P	Untrimmed bandgap reference voltage	Vbg-7%	Vbg	Vbg+6%	V	
1b	—	CC	P	Trimmed bandgap reference voltage (5 V, 27 °C)	Vbg-10mV	Vbg	Vbg+10mV	V	
1c	—	CC	C	Bandgap reference temperature variation	—	100	—	ppm/°C	

Table 15. PMC electrical characteristics (continued)

ID	Name	C	Parameter	Min	Typ	Max	Unit	Notes
1d	—	CC	C	Bandgap reference supply voltage variation	—	3000	—	ppm/V
2	Vdd	CC	C	Nominal VDD core supply internal regulator target DC output voltage <sup>(1)</sup>	—	1.28	—	V
2a	—	CC	P	Nominal VDD core supply internal regulator target DC output voltage variation at power-on reset	Vdd – 6%	Vdd	Vdd + 10%	V
2b	—	CC	P	Nominal VDD core supply internal regulator target DC output voltage variation after power-on reset	Vdd – 10 <sup>(2)</sup>	Vdd	Vdd + 3%	V
2c	—	CC	C	Trimming step Vdd	—	20	—	mV
2d	lvrctl	CC	C	Voltage regulator controller for core supply maximum DC output current	20	—	—	mA
3	Lvi1p2	CC	C	Nominal LVI for rising core supply <sup>(3),(4)</sup>	—	1.160	—	V
3a	—	CC	C	Variation of LVI for rising core supply at power-on reset <sup>(4),(5)</sup>	1.120	1.200	1.280	V
3b	—	CC	C	Variation of LVI for rising core supply after power-on reset <sup>(4),(5)</sup>	Lvi1p2–3%	Lvi1p2	Lvi1p2+3%	V
3c	—	CC	C	Trimming step LVI core supply <sup>(4)</sup>	—	20	—	mV
3d	Lvi1p2_h	CC	C	LVI core supply hysteresis <sup>(4)</sup>	—	40	—	mV
4	Por1.2V_r	CC	C	POR 1.2 V rising	—	0.709	—	V
4a	—	CC	C	POR 1.2 V rising variation	Por1.2V_r–35%	Por1.2V_r	Por1.2V_r+35%	V
4b	Por1.2V_f	CC	C	POR 1.2 V falling	—	0.638	—	V
4c	—	CC	C	POR 1.2 V falling variation	Por1.2V_f–35%	Por1.2V_f	Por1.2V_f+35%	V
5	Vdd33	CC	C	Nominal 3.3 V supply internal regulator DC output voltage	—	3.39	—	V
5a	—	CC	P	Nominal 3.3 V supply internal regulator DC output voltage variation at power-on reset <sup>(5)</sup>	Vdd33 – 8.5%	Vdd33	Vdd33 + 7%	V

Table 15. PMC electrical characteristics (continued)

ID	Name	C	Parameter	Min	Typ	Max	Unit	Notes	
5b	—	CC	P	Nominal 3.3 V supply internal regulator DC output voltage variation after power-on reset	Vdd33 – 7.5%	Vdd33	Vdd33 + 7%	V	With internal load up to Idd3p3
5c	—	CC	D	Voltage regulator 3.3 V output impedance at maximum DC load	—	—	2	Ω	
5d	Idd3p3	CC	P	Voltage regulator 3.3 V maximum DC output current	80	—	—	mA	
5e	Vdd33 ILim <sup>(5)</sup>	CC	C	Voltage regulator 3.3 V DC current limit	—	130	—	mA	
6	Lvi3p3	CC	C	Nominal LVI for rising 3.3 V supply <sup>(4)</sup>	—	3.090	—	V	The Lvi3p3 specs are also valid for the Vddeb LVI
6a	—	CC	C	Variation of LVI for rising 3.3 V supply at power-on reset <sup>(4)</sup>	Lvi3p3–6%	Lvi3p3	Lvi3p3+6%	V	See note <sup>(6)</sup>
6b	—	CC	C	Variation of LVI for rising 3.3 V supply after power-on reset <sup>(4)</sup>	Lvi3p3–3%	Lvi3p3	Lvi3p3+3%	V	See note <sup>(6)</sup>
6c	—	CC	C	Trimming step LVI 3.3 V <sup>(4)</sup>	—	20	—	mV	
6d	Lvi3p3_h	CC	C	LVI 3.3 V hysteresis <sup>(4)</sup>	—	60	—	mV	
7	Por3.3V_r	CC	C	Nominal POR for rising 3.3 V supply	—	2.07	—	V	The 3.3V POR specs are also valid for the Vddeb POR
7a	—	CC	C	Variation of POR for rising 3.3 V supply	Por3.3V_r–35%	Por3.3V_r	Por3.3V_r+35%	V	
7b	Por3.3V_f	CC	C	Nominal POR for falling 3.3 V supply	—	1.95	—	V	
7c	—	CC	C	Variation of POR for falling 3.3 V supply	Por3.3V_f–35%	Por3.3V_f	Por3.3V_f+35%	V	
8	Lvi5p0	CC	C	Nominal LVI for rising 5 V VDDREG supply <sup>(4)</sup>	—	4.290	—	V	
8a	—	CC	C	Variation of LVI for rising 5 V VDDREG supply at power-on reset <sup>(4)</sup>	Lvi5p0–6%	Lvi5p0	Lvi5p0+6%	V	
8b	—	CC	C	Variation of LVI for rising 5 V VDDREG supply power-on reset <sup>(4)</sup>	Lvi5p0–3%	Lvi5p0	Lvi5p0+3%	V	
8c	—	CC	C	Trimming step LVI 5 V <sup>(4)</sup>	—	20	—	mV	
8d	Lvi5p0_h	CC	C	LVI 5 V hysteresis <sup>(4)</sup>	—	60	—	mV	
9	Por5V_r	CC	C	Nominal POR for rising 5 V VDDREG supply	—	2.67	—	V	

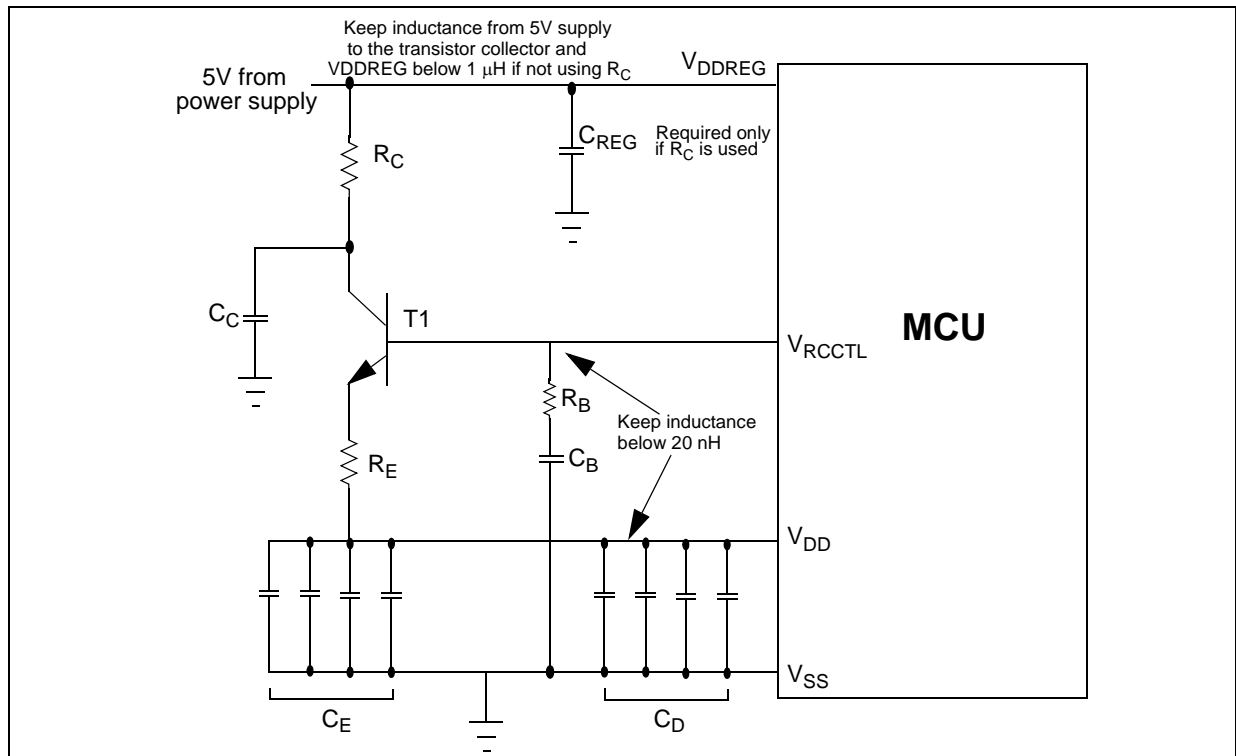
Table 15. PMC electrical characteristics (continued)

ID	Name	C	Parameter	Min	Typ	Max	Unit	Notes	
9a	—	CC	C	Variation of POR for rising 5 V VDDREG supply	Por5V_r – 35%	Por5V_r	Por5V_r + 50%	V	
9b	Por5V_f	CC	C	Nominal POR for falling 5 V VDDREG supply	—	2.47	—	V	
9c	—	CC	C	Variation of POR for falling 5 V VDDREG supply	Por5V_f – 35%	Por5V_f	Por5V_f + 50%	V	

- Using external ballast transistor.
- Min range is extended to 10% since Lvi1p2 is reprogrammed from 1.2 V to 1.16 V after power-on reset.
- LVI for falling supply is calculated as LVI rising - LVI hysteresis.
- The internal voltage regulator can be disabled by tying the VDDREG pin to ground. When the internal voltage regulator is disabled, the LVI specifications are not applicable because all LVI monitors are disabled. POR specifications remain valid when the internal voltage regulator is disabled as long as VDDEH and VDD33 supplies are within the required ranges.
- This parameter is the “inrush” current of the internal 3.3V regulator when it is turned on. This spec. is the current at which the regulator will go into current limit mode.
- Lvi3p3 tracks DC target variation of internal Vdd33 regulator. Minimum and maximum Lvi3p3 correspond to minimum and maximum Vdd33 DC target respectively.

### 4.6.1 Regulator example

Figure 4. Core voltage regulator controller external components preferred configuration



There are three options for the bypassing and compensation networks for the 1.2V regulator controller. The component values in the following table are the same for all PMC network requirements.

Table 16. Required external PMC component values

Component	Symbol	Minimum	Typical	Maximum	Units	Comment
Pass Transistor	T1					NJD2873 or BCP68
VDDREG capacitor	C <sub>REG</sub>		10		μF	X7R, -50%/+35%
Pass transistor Collector bypass capacitor	C <sub>C</sub>			13.3	μF	X7R, -50%/+35%
Collector resistor <sup>(1)</sup>	R <sub>C</sub>	1.1	—	5.6	Ω	

1. The collector resistor may not be required. It depends on the allowable power dissipation of the pass transistor (T1).

Table 17, Table 18 and Table 19 show the required component values for the three different options.

Table 17. Network 1 component values

Component	Symbol	Minimum	Typical	Maximum	Units	Comment
Transistor emitter bypass capacitance	C <sub>E</sub>	4 x 2.35	4 x 4.7	4 x 6.35	μF	X7R, -50%/+35%
		1 x 5	1 x 10	1 x 13.5	μF	X7R, -50%/+35%
	R <sub>ESR</sub>	5		50	mΩ	Equivalent ESR of C <sub>E</sub> capacitors
MCU decoupling capacitor	C <sub>D</sub>	4 x 50	4 x 100	4 x 135	nF	X7R, -50%/+35%
Base “snubber” capacitor	C <sub>B</sub>	1.1	2.2	2.97	μF	X7R, -50%/+35%
Base “snubber” resistor	R <sub>B</sub>	6.12	6.8	7.48	Ω	±10%
Emitter resistor	R <sub>E</sub>	0	0	0	Ω	Not required (short)

Table 18. Network 2 component values

Component	Symbol	Minimum	Typical	Maximum	Units	Comment
Transistor emitter bypass capacitance	C <sub>E</sub>	3 x 2.35	3 x 4.7	3 x 6.35	μF	X7R, -50%/+35%
		1 x 5	1 x 10	1 x 13.5	μF	X7R, -50%/+35%
	R <sub>ESR</sub>	5		50	mΩ	Equivalent ESR of C <sub>E</sub> capacitors
MCU decoupling capacitor	C <sub>D</sub>	4 x 50	4 x 100	4 x 135	nF	X7R, -50%/+35%
Base “snubber” capacitor	C <sub>B</sub>	1.1	2.2	2.97	μF	X7R, -50%/+35%
Base “snubber” resistor	R <sub>B</sub>	9	10	11	Ω	±10%
Emitter resistor	R <sub>E</sub>	0.252	0.280	0.308	Ω	Not required (short)

The following component configuration is acceptable when using the BCP68 transistor, however, is not recommended for new designs. Either option 1 or option 2 should be used for new designs. This option should not be used with the NJD2873 transistor.

**Table 19. Network 3 component values**

Component	Symbol	Minimum	Typical	Maximum	Units	Comment
Transistor emitter bypass capacitance	$C_E$	4 x 3.4	4 x 6.8	4 x 9.18	$\mu\text{F}$	X7R, -50%/+35%
	$R_{\text{ESR}}$	5		50	$\text{m}\Omega$	Equivalent ESR of $C_E$ capacitors
MCU decoupling capacitor	$C_D$	4 x 110	4 x 220	4 x 297	nF	X7R, -50%/+35%
Base “snubber” capacitor	$C_B$	1.1	2.2	2.97	$\mu\text{F}$	X7R, -50%/+35%
Base “snubber” resistor	$R_B$	13.5	15	16.5	$\Omega$	$\pm 10\%$
Emitter resistor	$R_E$	0	0	0	$\Omega$	Not required (short)

#### 4.6.2 Recommended power transistors

The following NPN transistors are recommended for use with the on-chip voltage regulator controller: ON Semiconductor™ BCP68T1 or NJD2873 as well as Philips Semiconductor™ BCP68. The collector of the external transistor is preferably connected to the same voltage supply source as the output stage of the regulator.

**Table 20. Recommended operating characteristics**

Symbol	Parameter	Value	Unit
$h_{\text{FE}} (\beta)$	DC current gain (Beta)	60 – 550	—
$P_D$	Absolute minimum power dissipation	>1.0 (1.5 preferred)	W
$I_{\text{CMaxDC}}$	Minimum peak collector current	1.0	A
$V_{\text{CE SAT}}$	Collector-to-emitter saturation voltage	200–600 <sup>(1)</sup>	mV
$V_{\text{BE}}$	Base-to-emitter voltage	0.4–1.0	V

1. Adjust resistor at bipolar transistor collector for 3.3 V/5.0 V to avoid  $V_{\text{CE}} < V_{\text{CE SAT}}$ .

#### 4.7 Power up/down sequencing

There is no power sequencing required among power sources during power up and power down, in order to operate within specification but use of the following sequence is strongly recommended when the internal regulator is bypassed:

$$5 \text{ V} \rightarrow 3.3 \text{ V and } 1.2 \text{ V}$$

This is also the normal sequence when the internal regulator is enabled.

Although there are no power up/down sequencing requirements to prevent issues like latch-up, excessive current spikes, etc., the state of the I/O pins during power up/down varies



according to table [Table 21](#) for all pins with fast pads and [Table 22](#) for all pins with medium, slow and multi-voltage pads<sup>(e)</sup>.

**Table 21. Power sequence pin states for fast pads**

$V_{DDE}$	$V_{RC33}$	$V_{DD}$	Fast (pad_fc)
LOW	X	X	LOW
$V_{DDE}$	LOW	X	HIGH
$V_{DDE}$	$V_{RC33}$	LOW	HIGH IMPEDANCE
$V_{DDE}$	$V_{RC33}$	$V_{DD}$	FUNCTIONAL

**Table 22. Power sequence pin states for medium, slow and multi-voltage pads**

$V_{DDEH}$	$V_{DD}$	Medium (pad_msr_hv) Slow (pad_ssr_hv) Multi-voltage (pad_multv_hv)
LOW	X	LOW
$V_{DDEH}$	LOW	HIGH IMPEDANCE
$V_{DDEH}$	$V_{DD}$	FUNCTIONAL

## 4.8 DC electrical specifications

**Table 23. DC electrical specifications**

Symbol	C	Parameter	Conditions	Value			Unit	
				Min	Typ	Max		
$V_{DD}$	SR	—	Core supply voltage	—	1.14	—	1.32	V
$V_{DDE}$	SR	—	I/O supply voltage	—	1.62	—	3.6 <sup>(1)</sup>	V
$V_{DDEH}$	SR	—	I/O supply voltage	—	3.0	—	5.25	V
$V_{RC33}$	SR	—	3.3 V external voltage <sup>(2)</sup>	—	3.0	—	3.6	V
$V_{DDA}$	SR	—	Analog supply voltage	—	4.75 <sup>(3)</sup>	—	5.25	V
$V_{INDC}$	SR	—	Analog input voltage <sup>(4)</sup>	—	$V_{SSA} - 0.3$	—	$V_{DDA} + 0.3$	V
$V_{SS} - V_{SSA}$	SR	—	$V_{SS}$ differential voltage	—	-100	—	100	mV
$V_{RL}$	SR	—	Analog reference low voltage	—	$V_{SSA}$	—	$V_{SSA} + 0.1$	V
$V_{RL} - V_{SSA}$	SR	—	$V_{RL}$ differential voltage	—	-100	—	100	mV

e. If an external 3.3 V external regulator is used to supply current to the 1.2 V pass transistor and this supply also supplies current for the other 3.3 V supplies, then the 5 V supply must always be greater than or equal to the external 3.3 V supply.

Table 23. DC electrical specifications (continued)

Symbol		C	Parameter	Conditions	Value			Unit
					Min	Typ	Max	
$V_{RH}$	SR	—	Analog reference high voltage	—	$V_{DDA} - 0.1$	—	$V_{DDA}$	V
$V_{RH} - V_{RL}$	SR	—	$V_{REF}$ differential voltage	—	4.75	—	5.25	V
$V_{DDF}$	SR	—	Flash operating voltage <sup>(5)</sup>	—	1.14	—	1.32	V
$V_{FLASH}^{(6)}$	SR	—	Flash read voltage	—	4.75	—	5.25	V
$V_{STBY}$	SR	—	SRAM standby voltage	Unregulated mode	0.95	—	1.2	V
				Regulated mode	2.0	—	5.5	
$V_{DDREG}$	SR	—	Voltage regulator supply voltage <sup>(7)</sup>	—	4.75	—	5.25	V
$V_{DDPLL}$	SR	—	Clock synthesizer operating voltage	—	1.14	—	1.32	V
$V_{SSPLL} - V_{SS}$	SR	—	$V_{SSPLL}$ to $V_{SS}$ differential voltage	—	-100	—	100	mV
$V_{IL\_S}$	CC	C	Slow/medium pad I/O input low voltage	Hysteresis enabled	$V_{SS} - 0.3$	—	$0.35 \cdot V_{DDEH}$	V
		P		hysteresis disabled	$V_{SS} - 0.3$	—	$0.40 \cdot V_{DDEH}$	
$V_{IL\_F}$	CC	C	Fast pad I/O input low voltage	Hysteresis enabled	$V_{SS} - 0.3$	—	$0.35 \cdot V_{DDE}$	V
		P		hysteresis disabled	$V_{SS} - 0.3$	—	$0.40 \cdot V_{DDE}$	
$V_{IL\_LS}$	CC	C	Multi-voltage pad I/O input low voltage in low-swing mode <sup>(8),(9),(10),(11)</sup>	Hysteresis enabled	$V_{SS} - 0.3$	—	0.8	V
		P		Hysteresis disabled	$V_{SS} - 0.3$	—	1.1	
$V_{IL\_HS}$	CC	C	Multi-voltage pad I/O input low voltage in high-swing mode	Hysteresis enabled	$V_{SS} - 0.3$	—	$0.35 \cdot V_{DDEH}$	V
		P		Hysteresis disabled	$V_{SS} - 0.3$	—	$0.4 \cdot V_{DDEH}$	
$V_{IH\_S}$	CC	C	Slow/medium pad I/O input high voltage	Hysteresis enabled	$0.65 \cdot V_{DDEH}$	—	$V_{DDEH} + 0.3$	V
		P		hysteresis disabled	$0.55 \cdot V_{DDEH}$	—	$V_{DDEH} + 0.3$	
$V_{IH\_F}$	CC	C	Fast pad I/O input high voltage	Hysteresis enabled	$0.65 \cdot V_{DDE}$	—	$V_{DDE} + 0.3$	V
		P		hysteresis disabled	$0.55 \cdot V_{DDE}$	—	$V_{DDE} + 0.3$	

Table 23. DC electrical specifications (continued)

Symbol	C	Parameter	Conditions	Value			Unit
				Min	Typ	Max	
$V_{IH\_LS}$	CC	C Multi-voltage pad I/O input high voltage in low-swing mode <sup>(8),(9),(10),(11)</sup>	Hysteresis enabled	2.5	—	$V_{DDEH}+0.3$	V
			Hysteresis disabled	2.2	—	$V_{DDEH}+0.3$	
$V_{IH\_HS}$	CC	C Multi-voltage pad I/O input high voltage in high-swing mode <sup>(12)</sup>	Hysteresis enabled	$0.65 V_{DDEH}$	—	$V_{DDEH}+0.3$	V
			Hysteresis disabled	$0.55 V_{DDEH}$	—	$V_{DDEH}+0.3$	
$V_{OL\_S}$	CC	P Slow/medium multi-voltage pad I/O output low voltage <sup>(15),(13)</sup>	—	—	—	$0.2 * V_{DDEH}$	V
$V_{OL\_F}$	CC	P Fast pad I/O output low voltage <sup>(14),(15)</sup>	—	—	—	$0.2 * V_{DDE}$	V
$V_{OL\_LS}$	CC	P Multi-voltage pad I/O output low voltage in low-swing mode <sup>(8),(9),(10),(11),(14)</sup>	$I_{OL} = 2 \text{ mA}$	—	—	0.6	V
$V_{OL\_HS}$	CC	P Multi-voltage pad I/O output low voltage in high-swing mode <sup>(14)</sup>	—	—	—	$0.2 V_{DDEH}$	V
$V_{OH\_S}$	CC	P Slow/medium pad I/O output high voltage <sup>(15),(13)</sup>	—	$0.8 V_{DDEH}$	—	—	V
$V_{OH\_F}$	CC	P Fast pad I/O output high voltage <sup>(14),(15)</sup>	—	$0.8 V_{DDE}$	—	—	V
$V_{OH\_LS}$	CC	P Multi-voltage pad I/O output high voltage in low-swing mode <sup>(8),(9),(10),(11),(14)</sup>	$I_{OH\_LS} = 0.5 \text{ mA}$ Min $V_{DDEH} = 4.75 \text{ V}$	2.1	—	3.7	V
$V_{OH\_HS}$	CC	P Multi-voltage pad I/O output high voltage in high-swing mode <sup>(14)</sup>	—	$0.8 V_{DDEH}$	—	—	V
$V_{HYS\_S}$	CC	C Slow/medium/multi-voltage I/O input hysteresis	—	$0.1 * V_{DDEH}$	—	—	V
$V_{HYS\_F}$	CC	C Fast I/O input hysteresis	—	$0.1 * V_{DDE}$	—	—	V
$V_{HYS\_LS}$	CC	C Low-Swing-Mode Multi-Voltage I/O Input Hysteresis	hysteresis enabled	0.25	—	—	V

Table 23. DC electrical specifications (continued)

Symbol	C	Parameter	Conditions	Value			Unit	
				Min	Typ	Max		
I <sub>DD</sub> +I <sub>DDPLL</sub> <sup>(16)</sup>	CC	P	Operating current 1.2 V supplies	V <sub>DD</sub> = 1.32 V, 80 MHz	—	—	195	mA
	CC	P		V <sub>DD</sub> = 1.32 V, 64 MHz	—	—	135	
	CC	P		V <sub>DD</sub> = 1.32 V, 40 MHz	—	—	98	
I <sub>DDSTBY</sub>	CC	T	Operating current 1 V supplies	T <sub>J</sub> = 25 °C	—	—	80	μA
	CC	T		T <sub>J</sub> = 55 °C	—	—	100	
I <sub>DDSTBY150</sub>	CC	P	Operating current	T <sub>J</sub> =150 °C	—	—	700	μA
I <sub>DDSLow</sub> I <sub>DDSTOP</sub>	CC	P	V <sub>DD</sub> low-power mode operating current @ 1.32 V	Slow mode <sup>(17)</sup>	—	—	50	mA
		C		Stop mode <sup>(18)</sup>	—	—	50	
I <sub>DD33</sub>	CC	T	Operating current 3.3 V supplies @ 80 MHz	V <sub>RC33</sub> <sup>(2),(19)</sup>	—	—	70	mA
I <sub>DDA</sub> I <sub>REF</sub> I <sub>DDREG</sub>	CC	P	Operating current 5.0 V supplies @ 80 MHz	V <sub>DDA</sub>	—	—	30	mA
		P		Analog reference supply current	—	—	1.0	
		C		V <sub>DDREG</sub>	—	—	70	
I <sub>DDH1</sub> I <sub>DDH6</sub> I <sub>DDH7</sub> I <sub>DDH9</sub> I <sub>DD12</sub>	CC	D	Operating current V <sub>DDE</sub> <sup>(20)</sup> supplies @ 80 MHz	V <sub>DDEH1</sub>	—	—	See note <sup>(20)</sup>	mA
		D		V <sub>DDEH6</sub>	—	—		
		D		V <sub>DDEH7</sub>	—	—		
		D		V <sub>DDEH9</sub>	—	—		
		D		V <sub>DDE12</sub>	—	—		
I <sub>ACT_S</sub>	CC	C	Slow/medium I/O weak pull up/down current <sup>(21)</sup>	3.0 V – 3.6 V	15	—	95	μA
		P		4.75 V – 5.25 V	35	—	200	
I <sub>ACT_F</sub>	CC	D	Fast I/O weak pull up/down current <sup>(21)</sup>	1.62 V – 1.98 V	36	—	120	μA
		D		2.25 V – 2.75 V	34	—	139	
		D		3.0 V – 3.6 V	42	—	158	
I <sub>ACT_MV_PU</sub>	CC	C	Multi-voltage pad weak pullup current	V <sub>DDEH</sub> = 3.0–3.6 V <sup>(8)</sup> , pad_multv_hv, all process corners, high swing mode only	10	—	75	μA
		P		4.75 V – 5.25 V	25	—	200	

Table 23. DC electrical specifications (continued)

Symbol	C	Parameter	Conditions	Value			Unit	
				Min	Typ	Max		
I <sub>ACT_MV_PD</sub>	CC	C	Multivoltage pad weak pulldown current	V <sub>DDEH</sub> = 3.0–3.6 V <sup>(8)</sup> , pad_multv_hv, all process corners, high swing mode only	10	—	60	μA
				4.75 V – 5.25 V	25	—	200	
I <sub>INACT_D</sub>	CC	P	I/O input leakage current <sup>(22)</sup>	—	–2.5	—	2.5	μA
I <sub>IC</sub>	CC	T	DC injection current (per pin)	—	–1.0	—	1.0	mA
I <sub>INACT_A</sub>	CC	P	Analog input current, channel off, AN[0:7], AN38, AN39 <sup>(23)</sup>	—	–250	—	250	nA
		P	Analog input current, channel off, all other analog pins (ANx) <sup>(23)</sup>	—	–150	—	150	
C <sub>L</sub>	CC	D	Load capacitance (fast I/O) <sup>(24)</sup>	DSC(PCR[8:9]) = 0b00	—	—	10	pF
		D		DSC(PCR[8:9]) = 0b01	—	—	20	
		D		DSC(PCR[8:9]) = 0b10	—	—	30	
		D		DSC(PCR[8:9]) = 0b11	—	—	50	
C <sub>IN</sub>	CC	D	Input capacitance (digital pins)	—	—	—	7	pF
C <sub>IN_A</sub>	CC	D	Input capacitance (analog pins)	—	—	—	10	pF
C <sub>IN_M</sub>	CC	D	Input capacitance (digital and analog pins) <sup>(25)</sup>	—	—	—	12	pF
R <sub>PUPD200K</sub>	CC	P	Weak Pull-Up/Down Resistance <sup>(26),(27)</sup> 200 kΩ Option	—	130	—	280	kΩ
R <sub>PUPDMATCH</sub>	CC	C	200KΩ Option	—	–2.5	—	2.5	%
R <sub>PUPD100K</sub>	CC	P	Weak Pull-Up/Down Resistance <sup>(26),(27)</sup> 100 kΩ Option	—	65	—	140	kΩ
R <sub>PUPDMATCH</sub>	CC	C	100KΩ Option	—	–2.5	—	2.5	%

Table 23. DC electrical specifications (continued)

Symbol	C	Parameter	Conditions	Value			Unit
				Min	Typ	Max	
R <sub>PUPD5K</sub>	CC	D Weak Pull-Up/Down Resistance <sup>(26)</sup> 5 kΩ Option	5 V ± 5% supply	1.4	—	7.5	kΩ
T <sub>A</sub> (T <sub>L</sub> to T <sub>H</sub> )	SR	—	Operating temperature range - ambient (packaged)	—	—	125.0	°C
—	SR	—	Slew rate on power supply pins	—	—	50	V/ms

- V<sub>DDE</sub> must be lower than V<sub>RC33</sub>, otherwise there is additional leakage on pins supplied by V<sub>DDE</sub>.
- These specifications apply when V<sub>RC33</sub> is supplied externally, after disabling the internal regulator (V<sub>DDREG</sub> = 0).
- ADC is functional with 4 V ≤ V<sub>DDA</sub> ≤ 4.75 V but with derated accuracy. This means the ADC will continue to function at full speed with no bad behavior, but the accuracy will be degraded.
- Internal structures hold the input voltage less than V<sub>DDA</sub> + 1.0 V on all pads powered by V<sub>DDA</sub> supplies, if the maximum injection current specification is met (3 mA for all pins) and V<sub>DDA</sub> is within the operating voltage specifications.
- The V<sub>DDF</sub> supply is connected to V<sub>DD</sub> in the package substrate. This specification applies to calibration package devices only.
- V<sub>FLASH</sub> is only available in the calibration package.
- Regulator is functional, with derated performance, with supply voltage down to 4.0 V.
- Multi-voltage pads (type pad\_multv\_hv) must be supplied with a power supply between 4.75 V and 5.25 V.
- The slew rate (SRC) setting must be 0b11 when in low-swing mode.
- While in low-swing mode there are no restrictions in transitioning to high-swing mode.
- Pin in low-swing mode can accept a 5 V input.
- Pin in low-swing mode can accept a 5 V input.
- Characterization based capability:  
IOH\_S = {6, 11.6} mA and IOL\_S = {9.2, 17.7} mA for {slow, medium} I/O with VDDEH=4.5 V;  
IOH\_S = {2.8, 5.4} mA and IOL\_S = {4.2, 8.1} mA for {slow, medium} I/O with VDDEH=3.0 V
- Characterization based capability:  
IOH\_F = {12, 20, 30, 40} mA and IOL\_F = {24, 40, 50, 65} mA for {00, 01,10, 11} drive mode with VDDE=3.0 V;  
IOH\_F = {7, 13, 18, 25} mA and IOL\_F = {18, 30, 35, 50} mA for {00, 01, 10, 11} drive mode with VDDE=2.25 V;  
IOH\_F = {3, 7, 10, 15} mA and IOL\_F = {12, 20, 27, 35} mA for {00, 01, 10, 11} drive mode with VDDE=1.62 V
- All VOL/VOH values 100 % tested with ± 2 mA load.
- Run mode as follows:  
System clock = 40/60/80 MHz + FM 2 %  
Code executed from Flash memory  
ADC0 at 16 MHz with DMA enabled  
ADC1 at 8 MHz  
eMIOS pads toggle in PWM mode with a rate between 100 kHz and 500 kHz  
eTPU pads toggle in PWM mode with a rate between 10 kHz and 500 kHz  
CAN configured for a bit rate of 500 kHz  
DSPI configured in master mode with a bit rate of 2 MHz  
eSCI transmission configured with a bit rate of 100 kHz
- Bypass mode, system clock at 1 MHz (using system clock divider), PLL shut down, CPU running simple executive code, 4 x ADC conversion every 10 ms, 2 x PWM channels at 1 kHz, all other modules stopped.
- Bypass mode, system clock at 1 MHz (using system clock divider), CPU stopped, PIT running, all other modules stopped.
- When using the internal regulator only, a bypass capacitor should be connected to this pin. External circuits should not be powered by the internal regulator. The internal regulator can be used as a reference for an external debugger.
- Power requirements for each I/O segment are dependent on the frequency of operation and load of the I/O pins on a particular I/O segment, and the voltage of the I/O segment. See Table 24 for values to calculate power dissipation for specific operation. The total power consumption of an I/O segment is the sum of the individual power consumptions for each pin on the segment.
- Absolute value of current, measured at V<sub>IL</sub> and V<sub>IH</sub>.

- 22. Weak pull up/down inactive. Measured at  $V_{DDE} = 3.6\text{ V}$  and  $V_{DDEH} = 5.25\text{ V}$ . Applies to pad types: fast (pad\_fc).
- 23. Maximum leakage occurs at maximum operating temperature. Leakage current decreases by approximately one-half for each 8 to 12 °C, in the ambient temperature range of 50 to 125 °C. Applies to pad types: pad\_a and pad\_ae.
- 24. Applies to CLKOUT, external bus pins, and Nexus pins.
- 25. Applies to the FCK, SDI, SDO, and SDS pins.
- 26. This programmable option applies only to eQADC differential input channels and is used for biasing and sensor diagnostics.
- 27. When the pull-up and pull-down of the same nominal 200 K $\Omega$  or 100 K $\Omega$  value are both enabled, assuming no interference from external devices, the resulting pad voltage will be  $0.5 \cdot V_{DDE} \pm 2.5\%$

## 4.9 I/O Pad current specifications

Note: SPC563Mxx devices use two sets of I/O pads (5 V and 3.3 V). See [Table 4](#) and [Table 5](#) in [Section 3.3: Signal summary](#), for the pad type associated with each signal.

The power consumption of an I/O segment depends on the usage of the pins on a particular segment. The power consumption is the sum of all output pin currents for a particular segment. The output pin current can be calculated from [Table 24](#) based on the voltage, frequency, and load on the pin. Use linear scaling to calculate pin currents for voltage, frequency, and load parameters that fall outside the values given in [Table 24](#).

**Table 24. I/O pad average  $I_{DDE}$  specifications<sup>(1)</sup>**

Pad Type	Symbol	C	Period (ns)	Load <sup>(2)</sup> (pF)	$V_{DDE}$ (V)	Drive/Slew Rate Select	$I_{DDE}$ Avg (mA) <sup>(3)</sup>	$I_{DDE}$ RMS (mA)	
Slow	$I_{DRV\_SSR\_HV}$	CC	D	37	50	5.25	11	9	—
		CC	D	130	50	5.25	01	2.5	—
		CC	D	650	50	5.25	00	0.5	—
		CC	D	840	200	5.25	00	1.5	—
Medium	$I_{DRV\_MSR\_HV}$	CC	D	24	50	5.25	11	14	—
		CC	D	62	50	5.25	01	5.3	—
		CC	D	317	50	5.25	00	1.1	—
		CC	D	425	200	5.25	00	3	—
Fast	$I_{DRV\_FC}$	CC	D	10	50	3.6	11	22.7	68.3
		CC	D	10	30	3.6	10	12.1	41.1
		CC	D	10	20	3.6	01	8.3	27.7
		CC	D	10	10	3.6	00	4.44	14.3
		CC	D	10	50	1.98	11	12.5	31
		CC	D	10	30	1.98	10	7.3	18.6
		CC	D	10	20	1.98	01	5.42	12.6
		CC	D	10	10	1.98	00	2.84	6.4

**Table 24. I/O pad average I<sub>DDE</sub> specifications<sup>(1)</sup> (continued)**

Pad Type	Symbol	C	Period (ns)	Load <sup>(2)</sup> (pF)	V <sub>DDE</sub> (V)	Drive/Slew Rate Select	I <sub>DDE</sub> Avg (mA) <sup>(3)</sup>	I <sub>DDE</sub> RMS (mA)	
MultiV (High Swing Mode)	I <sub>DRV_MULTV_HV</sub>	CC	D	15	50	5.25	11	21.2 <sup>(4)</sup>	—
		CC	D	30	50	5.25	10	— <sup>(5)</sup>	—
		CC	D	50	50	5.25	01	6.2 <sup>(4)</sup>	—
		CC	D	300	50	5.25	00	1.1 <sup>(4)</sup>	—
		CC	D	300	200	5.25	00	4.0 <sup>(4)</sup>	—
MultiV (Low Swing Mode)	I <sub>DRV_MULTV_HV</sub>	CC	D	15	30	5.25	11	20.2 <sup>(6)</sup>	—
		CC	D	30	30	5.25	11	NA	—

1. Numbers from simulations at best case process, 150 °C.
2. All loads are lumped.
3. Average current is for pad configured as output only.
4. Ratio from 5.5 V pad spec to 5.25 V data sheet.
5. Not specified.
6. Low swing mode is not a strong function of V<sub>DDE</sub>.

#### 4.9.1 I/O pad VRC33 current specifications

The power consumption of the VRC33 supply is dependent on the usage of the pins on all I/O segments. The power consumption is the sum of all output pin V<sub>RC33</sub> currents for all I/O segments. The output pin V<sub>RC33</sub> current can be calculated from [Table 25](#) based on the voltage, frequency, and load on all medium, slow, and multv\_hv pins. The output pin VRC33 current can be calculated from [Table 26](#) based on the voltage, frequency, and load on all fast pins. Use linear scaling to calculate pin currents for voltage, frequency, and load parameters that fall outside the values given in [Table 25](#) and [Table 26](#).

**Table 25. I/O pad V<sub>RC33</sub> average I<sub>DDE</sub> specifications<sup>(1)</sup>**

Pad Type	Symbol	C	Period (ns)	Load <sup>(2)</sup> (pF)	Slew Rate Select	I <sub>DD33</sub> Avg (µA)	I <sub>DD33</sub> RMS (µA)	
Slow	I <sub>DRV_SSR_HV</sub>	CC	D	100	50	11	0.8	235.7
		CC	D	200	50	01	0.04	87.4
		CC	D	800	50	00	0.06	47.4
		CC	D	800	200	00	0.009	47
Medium	I <sub>DRV_MSR_HV</sub>	CC	D	40	50	11	2.75	258
		CC	D	100	50	01	0.11	76.5
		CC	D	500	50	00	0.02	56.2
		CC	D	500	200	00	0.01	56.2



**Table 25. I/O pad  $V_{RC33}$  average  $I_{DDE}$  specifications<sup>(1)</sup> (continued)**

Pad Type	Symbol	C	Period (ns)	Load <sup>(2)</sup> (pF)	Slew Rate Select	$I_{DD33}$ Avg ( $\mu$ A)	$I_{DD33}$ RMS ( $\mu$ A)	
MultiV <sup>(3)</sup> (High Swing Mode)	$I_{DRV\_MULTV\_HV}$	CC	D	40	50	11	2.75	258
		CC	D	100	50	01	0.11	76.5
		CC	D	500	50	00	0.02	56.2
		CC	D	500	200	00	0.01	56.2
MultiV <sup>(4)</sup> (Low Swing Mode)	$I_{DRV\_MULTV\_HV}$	CC	D	40	30	11	2.75	258
		CC	D	100	30	11	0.11	76.5
		CC	D	500	30	11	0.02	56.2
		CC	D	500	30	11	0.01	56.2

1. These are typical values that are estimated from simulation and not tested. Currents apply to output pins only.
2. All loads are lumped.
3. Average current is for pad configured as output only.
4. In low swing mode, multi-voltage pads (pad\_multiv\_hv) must operate in highest slew rate setting.

**Table 26.  $V_{RC33}$  pad average DC current<sup>(1)</sup>**

Pad Type	Symbol	C	Period (ns)	Load <sup>(2)</sup> (pF)	$V_{RC33}$ (V)	$V_{DDE}$ (V)	Drive Select	$I_{DD33}$ Avg ( $\mu$ A)	$I_{DD33}$ RMS ( $\mu$ A)	
Fast	$I_{DRV\_FC}$	CC	D	10	50	3.6	3.6	11	2.35	6.12
		CC	D	10	30	3.6	3.6	10	1.75	4.3
		CC	D	10	20	3.6	3.6	01	1.41	3.43
		CC	D	10	10	3.6	3.6	00	1.06	2.9
		CC	D	10	50	3.6	1.98	11	1.75	4.56
		CC	D	10	30	3.6	1.98	10	1.32	3.44
		CC	D	10	20	3.6	1.98	01	1.14	2.95
		CC	D	10	10	3.6	1.98	00	0.95	2.62

1. These are typical values that are estimated from simulation and not tested. Currents apply to output pins only.
2. All loads are lumped.

### 4.9.2 LVDS pad specifications

LVDS pads are implemented to support the MSC (Microsecond Channel) protocol which is an enhanced feature of the DSPI module. The LVDS pads are compliant with LVDS specifications and support data rates up to 50 MHz.

Table 27. DSPI LVDS pad specification (1)

#	Characteristic	Symbol	C	Condition	Min. Value	Typ. Value	Max. Value	Unit	
<b>Data Rate</b>									
4	Data Frequency	$F_{LVDSCLK}$	CC	D		50		MHz	
<b>Driver Specs</b>									
5	Differential output voltage	$V_{OD}$	CC	P	SRC=0b00 or 0b11	150		430	mV
			CC	P	SRC=0b01	90		340	
			CC	P	SRC=0b10	155		480	
6	Common mode voltage (LVDS), $V_{OS}$	$V_{OS}$	CC	P		0.8	1.2	1.6	V
7	Rise/Fall time	$T_R/T_F$	CC	D			2		ns
8	Propagation delay (Low to High)	$T_{PLH}$	CC	D			4		ns
9	Propagation delay (High to Low)	$T_{PHL}$	CC	D			4		ns
10	Delay (H/L), sync Mode	$t_{PDSYNC}$	CC	D			4		ns
11	Delay, Z to Normal (High/Low)	$T_{DZ}$	CC	D			500		ns
12	Diff Skew $t_{pHla-t_{pHbl}}$ or $t_{pLhb-t_{pLhl}}$	$T_{SKEW}$	CC	D				0.5	ns
<b>Termination</b>									
13	Trans. Line (differential $Z_0$ )		CC	D		95	100	105	W
14	Temperature		CC	D		-40		150	°C

1. These are typical values that are estimated from simulation.

### 4.10 Oscillator and PLLMRFM electrical characteristics

Table 28. PLLMRFM electrical specifications ( $V_{DDPLL} = 1.14\text{ V to } 1.32\text{ V}$ ,  $V_{SS} = V_{SSPLL} = 0\text{ V}$ ,  $T_A = T_L$  to  $T_H$ )

Symbol	C	Parameter	Conditions	Value		Unit
				Min	Max	
$f_{ref\_crystal}$ $f_{ref\_ext}$	CC	PLL reference frequency range(1)	Crystal reference	4	20	MHz
			External reference	4	80	
$f_{pll\_in}$	CC	Phase detector input frequency range (after pre-divider)	—	4	16	MHz
$f_{vco}$	CC	VCO frequency range(2)	—	256	512	MHz
$f_{sys}$	CC	On-chip PLL frequency(1)	—	16	80	MHz

**Table 28. PLLMRFM electrical specifications ( $V_{DDPLL} = 1.14\text{ V to } 1.32\text{ V}$ ,  $V_{SS} = V_{SSPLL} = 0\text{ V}$ ,  $T_A = T_L$  to  $T_H$ ) (continued)**

Symbol		C	Parameter		Conditions	Value		Unit
						Min	Max	
f <sub>sys</sub>	CC	T	System frequency in bypass mode <sup>(3)</sup>		Crystal reference	4	20	MHz
		P			External reference	0	80	
t <sub>CYC</sub>	CC	D	System clock period		—	—	1 / f <sub>sys</sub>	ns
f <sub>LORL</sub> f <sub>LORH</sub>	CC	D	Loss of reference frequency window <sup>(4)</sup>		Lower limit	1.6	3.7	MHz
		D			Upper limit	24	56	
f <sub>SCM</sub>	CC	P	Self-clocked mode frequency <sup>(5),(6)</sup>		—	1.2	75	MHz
C <sub>JITTER</sub>	CC	T	CLKOUT period jitter <sup>(7),(8),(9),(10)</sup>	Peak-to-peak (clock edge to clock edge) Long-term jitter (avg. over 2 ms interval)	f <sub>sys</sub> maximum	-5	5	% f <sub>CLK</sub> OUT
		T				-6	6	ns
t <sub>cst</sub>	CC	T	Crystal start-up time <sup>(11),(12)</sup>		—	—	10	ms
V <sub>IHEXT</sub>	CC	T	EXTAL input high voltage		Crystal Mode <sup>(13)</sup> , 0.8 ≤ V <sub>x</sub> tal ≤ 1.5V	V <sub>x</sub> tal + 0.4	—	V
		T			External Reference <sup>(13),(14)</sup>	V <sub>RC33</sub> /2 + 0.4	V <sub>RC33</sub>	
V <sub>ILEXT</sub>	CC	T	EXTAL input low voltage		Crystal Mode <sup>(13)</sup> , 0.65 ≤ V <sub>x</sub> tal ≤ 1.25V	—	V <sub>x</sub> tal - 0.4	V
		T			External Reference <sup>(13),(14)</sup>	0	V <sub>RC33</sub> /2 - 0.4	
—	CC	T	XTAL load capacitance <sup>(11)</sup>		4 MHz	5	30	pF
					8 MHz	5	26	
					12 MHz	5	23	
					16 MHz	5	19	
					20 MHz	5	16	
t <sub>pll</sub>	CC	P	PLL lock time <sup>(11),(15)</sup>		—	—	200	μs
t <sub>dc</sub>	CC	T	Duty cycle of reference		—	40	60	%
f <sub>LCK</sub>	CC	T	Frequency LOCK range		—	-6	6	% f <sub>sys</sub>
f <sub>UL</sub>	CC	T	Frequency un-LOCK range		—	-18	18	% f <sub>sys</sub>
f <sub>CS</sub> f <sub>DS</sub>	CC	D	Modulation Depth		Center spread	±0.25	±4.0	%f <sub>sys</sub>
		D			Down Spread	-0.5	-8.0	
f <sub>MOD</sub>	CC	D	Modulation frequency <sup>(16)</sup>		—	—	100	kHz

1. Considering operation with PLL not bypassed.
2. f<sub>VCO</sub> is calculated as follows:  
 — In Legacy Mode f<sub>VCO</sub> = (f<sub>crystal</sub> / (PREDIV + 1)) \* (4 \* (MFD + 4))  
 — In Enhanced Mode f<sub>VCO</sub> = (f<sub>crystal</sub> / (EPREDIV + 1)) \* (EMFD + 4)
3. All internal registers retain data at 0 Hz.
4. "Loss of Reference Frequency" window is the reference frequency range outside of which the PLL is in self clocked mode.



5. Self clocked mode frequency is the frequency that the PLL operates at when the reference frequency falls outside the  $f_{LOR}$  window.
6.  $f_{VCO}$  self clock range is 20–150 MHz.  $f_{SCM}$  represents  $f_{SYS}$  after PLL output divider (ERFD) of 2 through 16 in enhanced mode.
7. This value is determined by the crystal manufacturer and board design.
8. Jitter is the average deviation from the programmed frequency measured over the specified interval at maximum  $f_{SYS}$ . Measurements are made with the device powered by filtered supplies and clocked by a stable external clock signal. Noise injected into the PLL circuitry via  $V_{DDPLL}$  and  $V_{SSPLL}$  and variation in crystal oscillator frequency increase the  $C_{JITTER}$  percentage for a given interval.
9. Proper PC board layout procedures must be followed to achieve specifications.
10. Values are with frequency modulation disabled. If frequency modulation is enabled, jitter is the sum of  $C_{JITTER}$  and either  $f_{CS}$  or  $f_{DS}$  (depending on whether center spread or down spread modulation is enabled).
11. This value is determined by the crystal manufacturer and board design. For 4 MHz to 20 MHz crystals specified for this PLL, load capacitors should not exceed these limits. For a 20 MHz crystal the maximum load should be 17 pF.
12. Proper PC board layout procedures must be followed to achieve specifications.
13. This parameter is guaranteed by design rather than 100% tested.
14.  $V_{IHEXT}$  cannot exceed  $V_{RC33}$  in external reference mode.
15. This specification applies to the period required for the PLL to relock after changing the MFD frequency control bits in the synthesizer control register (SYNCR).
16. Modulation depth will be attenuated from depth setting when operating at modulation frequencies above 50 kHz.

## 4.11 Temperature sensor electrical characteristics

Table 29. Temperature sensor electrical characteristics

Symbol	C	Parameter	Conditions	Value			Unit
				Min	Typical	Max	
—	CC	C	Temperature monitoring range	–40	—	150	°C
—	CC	C	Sensitivity	—	6.3	—	mV/°C
—	CC	P	Accuracy	$T_J = -40 \text{ to } 150 \text{ } ^\circ\text{C}$			°C

## 4.12 eQADC electrical characteristics

*Note:* ADC performance is affected by several environmental elements, such as quality of the input signal source, presence of noise sources and quality of the PCB layout.

*The DC or Static parameters (DNL, INL, OFFSET, GAIN, and TUE) are measured using methods that provide a very accurate evaluation using averaging.*

*The AC or Dynamic parameters (SNR, THD, SFDR, SINAD) are determined using a full scale peak-peak sine wave of 1kHz frequency at the input of the ADC.*

Table 30. eQADC conversion specifications (operating)

Symbol		C	Parameter	Value		Unit	
				min	max		
f <sub>ADCLK</sub>	SR	—	ADC clock (ADCLK) frequency	2	16	MHz	
CC	CC	D	Conversion cycles	2 + 13	128 + 14	ADCLK cycles	
T <sub>SR</sub>	CC	C	Stop mode recovery time <sup>(1)</sup>	—	10	μs	
—	CC	D	Resolution <sup>(2)</sup>	1.25	—	mV	
OFFNC	CC	C	Offset error without calibration	0	160	Counts	
OFFWC	CC	C	Offset error with calibration	−4	4	Counts	
GAINNC	CC	C	Full scale gain error without calibration	−160	0	Counts	
GAINWC	CC	C	Full scale gain error with calibration	−4	4	Counts	
I <sub>INJ</sub>	CC	T	Disruptive input injection current <sup>(3), (4), (5), (6)</sup>	−3	3	mA	
E <sub>INJ</sub>	CC	T	Incremental error due to injection current <sup>(6),(7),(8)</sup>	−4	4	Counts	
TUE8	CC	C	Total unadjusted error (TUE) at 8 MHz <sup>(9)</sup>	−4	4	Counts	
TUE16	CC	C	Total unadjusted error at 16 MHz <sup>(10)</sup>	−8	8	Counts	
SNR	CC	T	Signal to Noise Ratio <sup>(11)</sup>	55.2		dB	
THD	CC	T	Total Harmonic Distorsion	70.0		dB	
SFDR	CC	T	Spurious Free Dynamic Range	65.0		dB	
SINAD	CC	T	Signal to Noise and Distorsion	55.0		dB	
ENOB	CC	T	Effective Number of Bits	8.8		Counts	
GAINVGA1	CC	—	Variable gain amplifier accuracy (gain=1) <sup>(12)</sup>				
	CC	C	INL	8 MHz ADC	−4	4	Counts <sup>(13)</sup>
	CC	C		16 MHz ADC	−8	8	Counts
	CC	C	DNL	8 MHz ADC	−3 <sup>(14)</sup>	3 <sup>(14)</sup>	Counts
	CC	C		16 MHz ADC	−3 <sup>(14)</sup>	3 <sup>(14)</sup>	Counts
GAINVGA2	CC	—	Variable gain amplifier accuracy (gain=2) <sup>(12)</sup>				
	CC	D	INL	8 MHz ADC	−5	5	Counts
	CC	D		16 MHz ADC	−8	8	Counts
	CC	D	DNL	8 MHz ADC	−3	3	Counts
	CC	D		16 MHz ADC	−3	3	Counts
GAINVGA4	CC	—	Variable gain amplifier accuracy (gain=4) <sup>(12)</sup>				
	CC	D	INL	8 MHz ADC	−7	7	Counts
	CC	D		16 MHz ADC	−8	8	Counts
	CC	D	DNL	8 MHz ADC	−4	4	Counts
	CC	D		16 MHz ADC	−4	4	Counts

**Table 30. eQADC conversion specifications (operating) (continued)**

Symbol	C	C	Parameter	Value		Unit	
				min	max		
DIFF <sub>max</sub>	CC	C	Maximum differential voltage (DANx+ - DANx-) or (DANx- - DANx+)	PREGAIN set to 1X setting	-	(VRH - VRL)/2	V
DIFF <sub>max2</sub>	CC	C		PREGAIN set to 2X setting	-	(VRH - VRL)/4	V
DIFF <sub>max4</sub>	CC	C		PREGAIN set to 4X setting	-	(VRH - VRL)/8	V
DIFF <sub>cmv</sub>	CC	C	Differential input Common mode voltage (DANx- + DANx+)/2 <sup>(15)</sup>		(VRH - VRL)/2 - 5%	(VRH - VRL)/2 + 5%	V

1. Stop mode recovery time is the time from the setting of either of the enable bits in the ADC Control Register to the time that the ADC is ready to perform conversions. Delay from power up to full accuracy = 8 ms.
2. At V<sub>RH</sub> - V<sub>RL</sub> = 5.12 V, one count = 1.25 mV. Without using pregain.
3. Below disruptive current conditions, the channel being stressed has conversion values of 0x3FF for analog inputs greater than V<sub>RH</sub> and 0x0 for values less than V<sub>RL</sub>. Other channels are not affected by non-disruptive conditions.
4. Exceeding limit may cause conversion error on stressed channels and on unstressed channels. Transitions within the limit do not affect device reliability or cause permanent damage.
5. Input must be current limited to the value specified. To determine the value of the required current-limiting resistor, calculate resistance values using V<sub>POSCLAMP</sub> = V<sub>DDA</sub> + 0.5 V and V<sub>NEGCLAMP</sub> = - 0.3 V, then use the larger of the calculated values.
6. Condition applies to two adjacent pins at injection limits.
7. Performance expected with production silicon.
8. All channels have same 10 kΩ < R<sub>s</sub> < 100 kΩ; Channel under test has R<sub>s</sub>=10 kΩ; I<sub>INJ</sub>=I<sub>INJMAX</sub>-I<sub>INJMIN</sub>.
9. TUE is tested by averaging 10 samples.
10. TUE is tested by averaging three samples.
11. These values can be significantly improved by using three samples of averaging. Input frequency of 1 kHz was used as the reference for the Signal to Noise Ratio.
12. Variable gain is controlled by setting the PRE\_GAIN bits in the ADC\_ACR1-8 registers to select a gain factor of ×1, ×2, or ×4. Settings are for differential input only. Tested at ×1 gain. Values for other settings are guaranteed by as indicated.
13. At V<sub>RH</sub> - V<sub>RL</sub> = 5.12 V, one LSB = 1.25 mV.
14. Guaranteed 10-bit monotonicity.
15. Voltages between VRL and VRH will not cause damage to the pins. However, they may not be converted accurately if the differential voltage is above the maximum differential voltage. In addition, conversion errors may occur if the common mode voltage of the differential signal violates the Differential Input common mode voltage specification.

### 4.13 Platform Flash controller electrical characteristics

**Table 31. APC, RWSC, WWSC settings vs. frequency of operation<sup>(1)</sup>**

Target Max Frequency <sup>(2)</sup> (MHz)	APC <sup>(3)</sup>	RWSC <sup>(3)</sup>	WWSC
20	000	000	01
40	001	001	01
64	010	010	01
80	011	011	01
All	111	111	111

1. Illegal combinations exist, all entries must be taken from the same row.

- 2. Maximum Frequency includes FM modulation.
- 3. APC must be equal to RWSC.

### 4.14 Flash memory electrical characteristics

**Table 32. Program and erase specifications**

Symbol		Parameter	Min Value	Typical Value <sup>(1)</sup>	Initial Max <sup>(2)</sup>	Max <sup>(3)</sup>	Unit
T <sub>dwprogram</sub>	P	Double Word (64 bits) Program Time <sup>(4)</sup>	—	22	50	500	μs
T <sub>16kpperase</sub>	P	16 KB Block Pre-program and Erase Time	—	300	500	5000	ms
T <sub>32kpperase</sub>	P	32 KB Block Pre-program and Erase Time	—	400	600	5000	ms
T <sub>64kpperase</sub>	P	64 KB Block Pre-program and Erase Time	—	600	900	5000	ms
T <sub>128kpperase</sub>	P	128 KB Block Pre-program and Erase Time	—	800	1300	7500	ms

- 1. Typical program and erase times assume nominal supply values and operation at 25 °C. All times are subject to change pending device characterization.
- 2. Initial factory condition: < 100 program/erase cycles, 25 °C, typical supply voltage.
- 3. The maximum program & erase times occur after the specified number of program/erase cycles. These maximum values are characterized but not guaranteed.
- 4. Actual hardware programming times. This does not include software overhead.

**Table 33. Flash module life**

Symbol		Parameter	Conditions	Value		Unit
				Min	Typ	
P/E	C	Number of program/erase cycles per block for 16 Kbyte blocks over the operating temperature range (T <sub>J</sub> )	—	100,000	—	cycles
P/E	C	Number of program/erase cycles per block for 32 and 64 Kbyte blocks over operating temperature range (T <sub>J</sub> )	—	10,000	—	cycles
P/E	C	Number of program/erase cycles per block for 128 Kbyte blocks over the operating temperature range (T <sub>J</sub> )	—	1,000	—	cycles
Retention	C	Minimum data retention at 85 °C average ambient temperature <sup>(1)</sup>	Blocks with 0 – 1,000 P/E cycles	20	—	years
			Blocks with 10,000 P/E cycles	10	—	years
			Blocks with 100,000 P/E cycles	5	—	years

- 1. Ambient temperature averaged over duration of application, not to exceed recommended product operating temperature range.

### 4.15 AC specifications

#### 4.15.1 Pad AC specifications

Table 34. Pad AC specifications (5.0 V)<sup>(1)</sup>

Name	C	D	Output Delay (ns) <sup>(2),(3)</sup>		Rise/Fall Edge <sup>(3),(4)</sup>		Drive Load (pF)	SRC/DSC		
			Low-to-High/High-to-Low		Min	Max		Min	Max	MSB,LSB
			Min	Max	Min	Max				
Medium <sup>(5),(6),(7)</sup>	CC	D	4.6/3.7	12/12	2.2/2.2	7/7	50	11 <sup>(8)</sup>		
	CC	D	13/10	32/32	9/9	22/22	200			
	N/A							10 <sup>(9)</sup>		
	CC	D	12/13	28/34	5.6/6	15/15	50	01		
	CC	D	23/23	52/59	11/14	31/31	200			
	CC	D	69/71	152/165	34/35	74/74	50	00		
	CC	D	95/90	205/220	44/51	96/96	200			
Slow <sup>(7),(10)</sup>	CC	D	7.3/5.7	19/18	4.4/4.3	14/14	50	11 <sup>(8)</sup>		
	CC	D	24/19	58/58	17/15	42/42	200			
	N/A							10 <sup>(9)</sup>		
	CC	D	26/27	61/69	13/13	34/34	50	01		
	CC	D	49/45	115/115	27/23	61/61	200			
	CC	D	137/142	320/330	72/74	164/164	50	00		
	CC	D	182/172	420/420	90/85	200/200	200			
MultiV <sup>(11)</sup> (High Swing Mode)	CC	D	4.1/3.6	10.3/8.9	3.28/2.98	8/8	50	11 <sup>(8)</sup>		
	CC	D	10.4/10.2	24.2/23.6	12.7/11.54	29/29	200			
	N/A							10 <sup>(9)</sup>		
	CC	D	8.38/6.11	16/12.9	5.48/4.81	11/11	50	01		
	CC	D	15.9/13.6	31/28.5	14.6/13.1	31/31	200			
	CC	D	61.7/10.4	92.2/24.3	42.0/12.2	63/63	50	00		
	CC	D	85.5/37.3	132.6/78.9	57.7/46.4	85/85	200			
MultiV (Low Swing Mode)	CC	D	2.31/2.34	7.62/6.33	1.26/1.67	7/7	30	11 <sup>(8)</sup>		
Fast <sup>(12)</sup>	N/A									
pad_i_hv <sup>(13)</sup>	CC	D	0.5/0.5	1.9/1.9	0.3/0.3	1.5/1.5	0.5	N/A		
pull_hv	CC	D	NA	6000	—	5000/5000	50	N/A		

1. These are worst case values that are estimated from simulation and not tested. Values in the table are simulated at f<sub>sys</sub> = 80 MHz, V<sub>DD</sub> = 1.14 V to 1.32 V, V<sub>DDE</sub> = 1.62 V to 1.98 V, V<sub>DDEH</sub> = 4.5 V to 5.25 V, T<sub>A</sub> = T<sub>L</sub> to T<sub>H</sub>.

2. This parameter is supplied for reference and is not guaranteed by design and not tested.





3. Delay and rise/fall are measured to 20% or 80% of the respective signal.
4. This parameter is guaranteed by characterization before qualification rather than 100% tested.
5. In high swing mode, high/low swing pad  $V_{OL}$  and  $V_{OH}$  values are the same as those of the slew controlled output pads
6. Medium Slew-Rate Controlled Output buffer. Contains an input buffer and weak pull-up/pull-down.
7. Output delay is shown in [Figure 5](#). Add a maximum of one system clock to the output delay for delay with respect to system clock.
8. Can be used on the tester.
9. This drive select value is not supported. If selected, it will be approximately equal to 11.
10. Slow Slew-Rate Controlled Output buffer. Contains an input buffer and weak pull-up/pull-down.
11. Selectable high/low swing IO pad with selectable slew in high swing mode only.
12. Fast pads are 3.3 V pads.
13. Stand alone input buffer. Also has weak pull-up/pull-down.

**Table 35. Pad AC specifications (3.3 V)<sup>(1)</sup>**

Pad Type	C	Output Delay (ns) <sup>(2),(3)</sup>		Rise/Fall Edge (ns) <sup>(3),(4)</sup>		Drive Load (pF)	SRC/DSC	
		Low-to-High/High-to-Low		Min	Max			Min
		Min	Max	Min	Max		MSB,LSB	
Medium <sup>(5),(6),(7)</sup>	CC	D	5.8/4.4	18/17	2.7/2.1	10/10	11 <sup>(8)</sup>	
	CC	D	16/13	46/49	11.2/8.6	34/34		200
	N/A							10 <sup>(9)</sup>
	CC	D	14/16	37/45	6.5/6.7	19/19	50	01
	CC	D	27/27	69/82	15/13	43/43	200	
	CC	D	83/86	200/210	38/38	86/86	50	00
	CC	D	113/109	270/285	53/46	120/120	200	
Slow <sup>(7),(10)</sup>	CC	D	9.2/6.9	27/28	5.5/4.1	20/20	11	
	CC	D	30/23	81/87	21/16	63/63		200
	N/A							10 <sup>(9)</sup>
	CC	D	31/31	80/90	15.4/15.4	42/42	50	01
	CC	D	58/52	144/155	32/26	82/85	200	
	CC	D	162/168	415/415	80/82	190/190	50	00
	CC	D	216/205	533/540	106/95	250/250	200	
MultiV <sup>(7),(11)</sup> (High Swing Mode)	CC	D		3.7/3.1		10/10	11 <sup>(8)</sup>	
	CC	D		46/49		37/37		200
	N/A							10 <sup>(9)</sup>
	CC	D		32		15/15	50	01
	CC	D		72		46/46	200	
	CC	D		210		100/100	50	00
	CC	D		295		134/134	200	

**Table 35. Pad AC specifications (3.3 V)<sup>(1)</sup> (continued)**

Pad Type	C	D	Output Delay (ns) <sup>(2),(3)</sup> Low-to-High/High-to-Low		Rise/Fall Edge (ns) <sup>(3),(4)</sup>		Drive Load (pF)	SRC/DSC
			Min	Max	Min	Max		MSB,LSB
Fast	CC	D		2.5/2.5		1.2/1.2	10	00
	CC	D		2.5/2.5		1.2/1.2	20	01
	CC	D		2.5/2.5		1.2/1.2	30	10
	CC	D		2.5/2.5		1.2/1.2	50	11 <sup>(8)</sup>
pad_i_hv <sup>(12)</sup>	CC	D	0.5/0.5	3/3	0.4/0.4	1.5/1.5	0.5	N/A
pull_hv	CC	D	NA	6000		5000/5000	50	N/A

1. These are worst case values that are estimated from simulation and not tested. The values in the table are simulated at  $f_{SYS} = 80$  MHz,  $V_{DD} = 1.14$  V to 1.32 V,  $V_{DDE} = 3$  V to 3.6 V,  $V_{DDEH} = 3$  V to 3.6 V,  $T_A = T_L$  to  $T_H$ .
2. This parameter is supplied for reference and is not guaranteed by design and not tested.
3. Delay and rise/fall are measured to 20% or 80% of the respective signal.
4. This parameter is guaranteed by characterization before qualification rather than 100% tested.
5. In high swing mode, high/low swing pad  $V_{ol}$  and  $V_{oh}$  values are the same as those of the slew controlled output pads.
6. Medium Slew-Rate Controlled Output buffer. Contains an input buffer and weak pullup/pulldown.
7. Output delay is shown in [Figure 5](#). Add a maximum of one system clock to the output delay for delay with respect to system clock.
8. Can be used on the tester.
9. This drive select value is not supported. If selected, it will be approximately equal to 11.
10. Slow Slew-Rate Controlled Output buffer. Contains an input buffer and weak pull-up/pull-down.
11. Slow Slew-Rate Controlled Output buffer. Contains an input buffer and weak pull-up/pull-down.
12. Stand alone input buffer. Also has weak pull-up/pull-down.

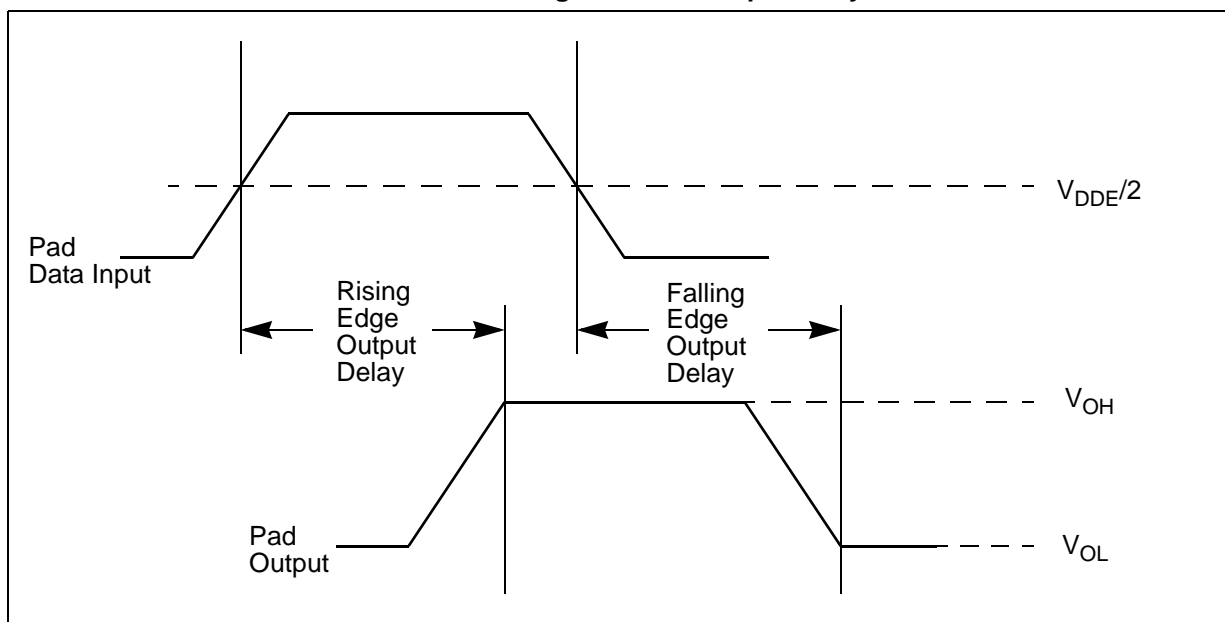
**Table 36. Pad AC specifications (1.8 V)**

Pad Type	C	D	Output Delay (ns) <sup>(1),(2)</sup> Low-to-High / High-to-Low		Rise/Fall Edge (ns) <sup>(3)</sup>		Drive Load (pF)	SRC/DSC
			Min	Max	Min	Max		MSB,LSB
Fast	CC	D		3.0/3.0	2.0/1.5		10	00
	CC	D		3.0/3.0	2.0/1.5		20	01
	CC	D		3.0/3.0	2.0/1.5		30	10
	CC	D		3.0/3.0	2.0/1.5		50	11 <sup>(4)</sup>

1. This parameter is supplied for reference and is not guaranteed by design and not tested.
2. Delay and rise/fall are measured to 20% or 80% of the respective signal.
3. This parameter is guaranteed by characterization before qualification rather than 100% tested.
4. Can be used on the tester.



Figure 5. Pad output delay



## 4.16 AC timing

### 4.16.1 IEEE 1149.1 interface timing

Table 37. JTAG pin AC electrical characteristics<sup>(1)</sup>

#	Symbol	C	D	Characteristic	Min. Value	Max. Value	Unit
1	$t_{JCYC}$	CC	D	TCK Cycle Time	100	—	ns
2	$t_{JDC}$	CC	D	TCK Clock Pulse Width	40	60	ns
3	$t_{TCKRISE}$	CC	D	TCK Rise and Fall Times (40% – 70%)	—	3	ns
4	$t_{TMSS}, t_{TDIS}$	CC	D	TMS, TDI Data Setup Time	5	—	ns
5	$t_{TMSh}, t_{TDIH}$	CC	D	TMS, TDI Data Hold Time	25	—	ns
6	$t_{TDOV}$	CC	D	TCK Low to TDO Data Valid	—	23	ns
7	$t_{TDOI}$	CC	D	TCK Low to TDO Data Invalid	0	—	ns
8	$t_{TDOHZ}$	CC	D	TCK Low to TDO High Impedance	—	20	ns
9	$t_{JCMPPW}$	CC	D	JCOMP Assertion Time	100	—	ns
10	$t_{JCMPS}$	CC	D	JCOMP Setup Time to TCK Low	40	—	ns
11	$t_{BSDV}$	CC	D	TCK Falling Edge to Output Valid	—	50	ns
12	$t_{BSDVZ}$	CC	D	TCK Falling Edge to Output Valid out of High Impedance	—	50	ns
13	$t_{BSDHZ}$	CC	D	TCK Falling Edge to Output High Impedance	—	50	ns

Table 37. JTAG pin AC electrical characteristics<sup>(1)</sup> (continued)

#	Symbol	CC	C	Characteristic	Min. Value	Max. Value	Unit
14	t <sub>BSDST</sub>	CC	D	Boundary Scan Input Valid to TCK Rising Edge	50	—	ns
15	t <sub>BSDHT</sub>	CC	D	TCK Rising Edge to Boundary Scan Input Invalid	50	—	ns

1. JTAG timing specified at V<sub>DD</sub> = 1.14 V to 1.32 V, V<sub>DDDEH</sub> = 4.5 V to 5.25 V with multi-voltage pads programmed to Low-Swing mode, T<sub>A</sub> = T<sub>L</sub> to T<sub>H</sub>, and C<sub>L</sub> = 30 pF with DSC = 0b10, SRC = 0b00. These specifications apply to JTAG boundary scan only. See Table 38 for functional specifications.

Figure 6. JTAG test clock input timing

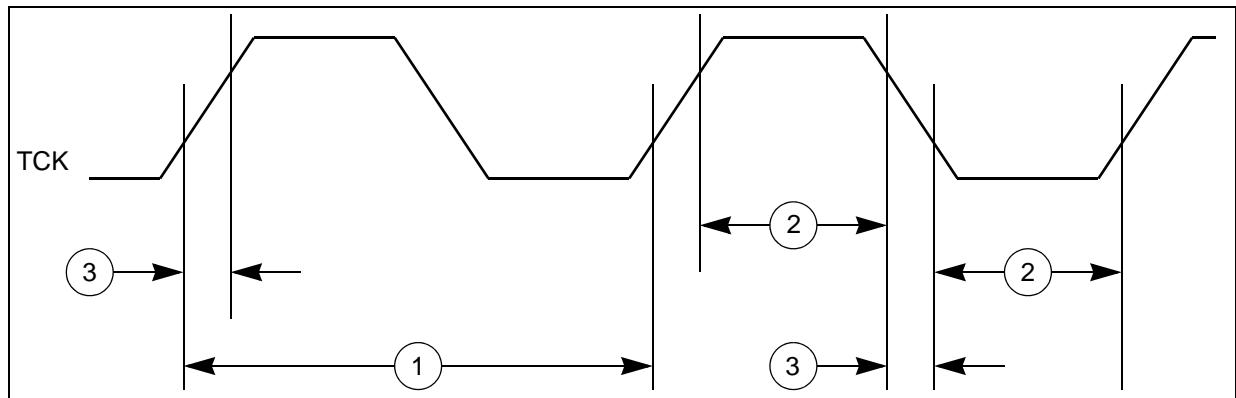


Figure 7. JTAG test access port timing

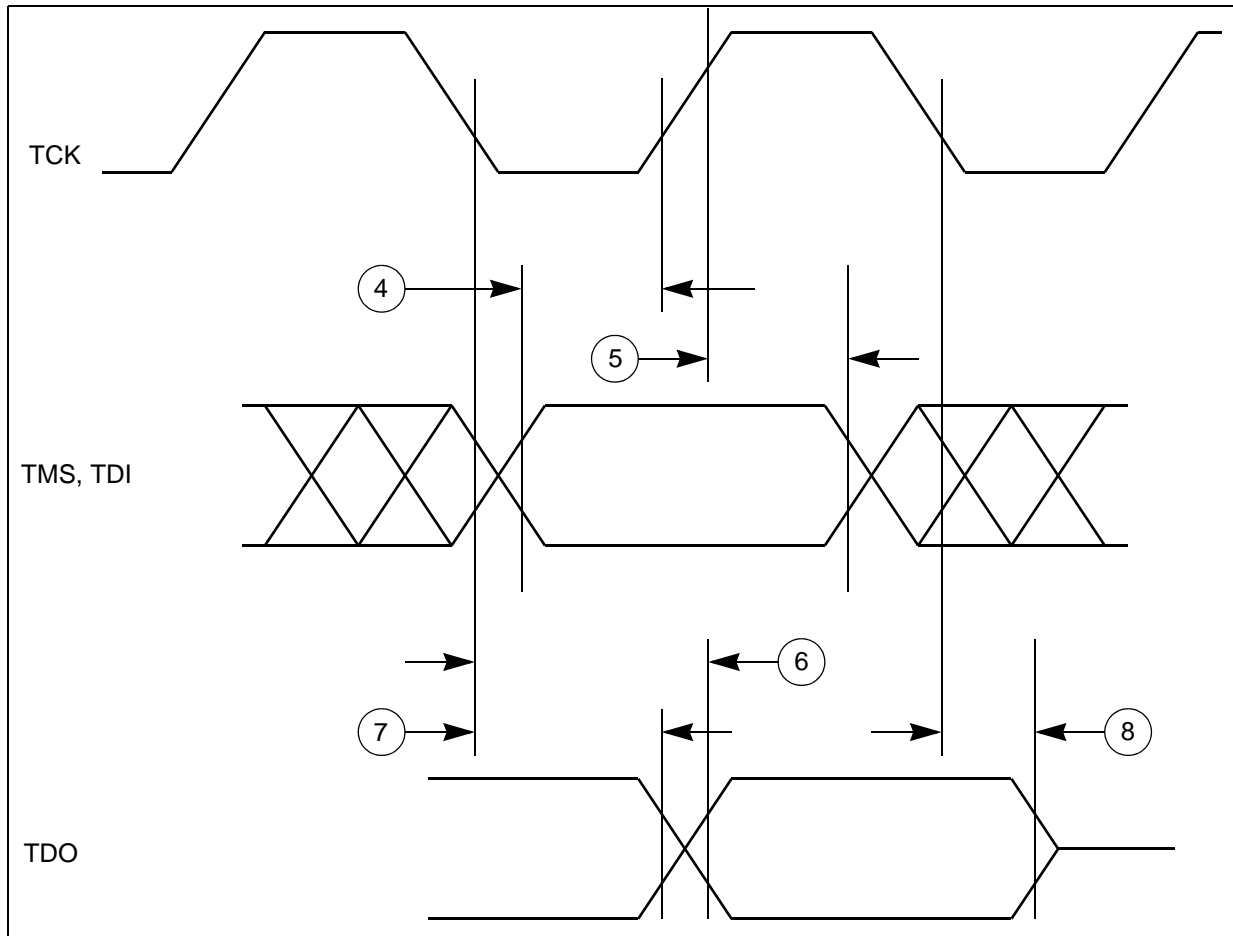


Figure 8. JTAG JCOMP timing

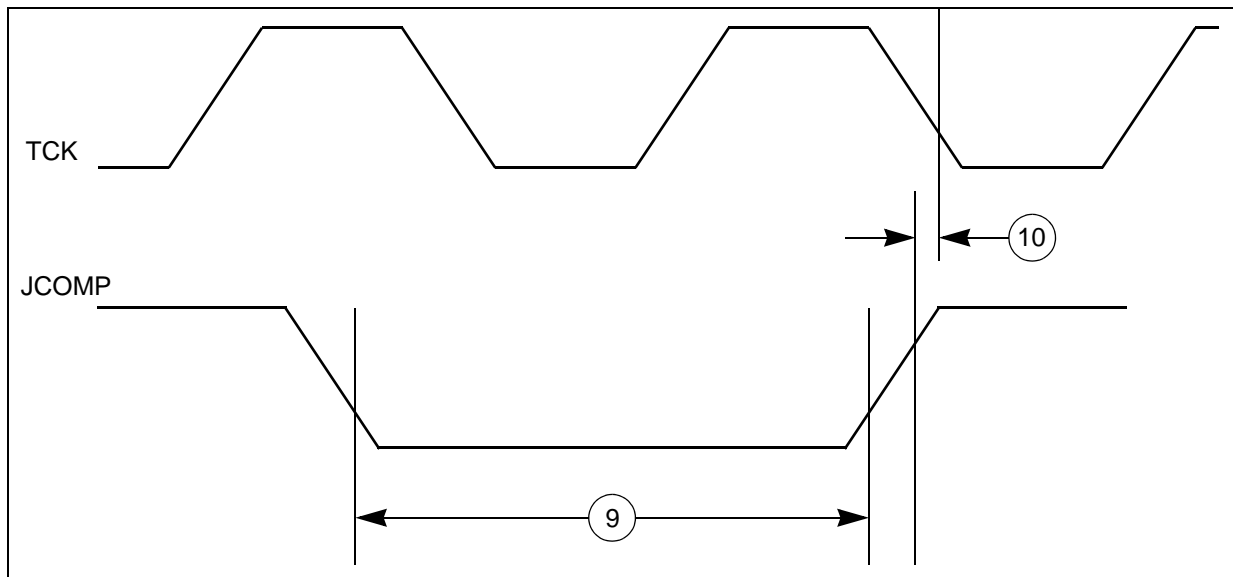
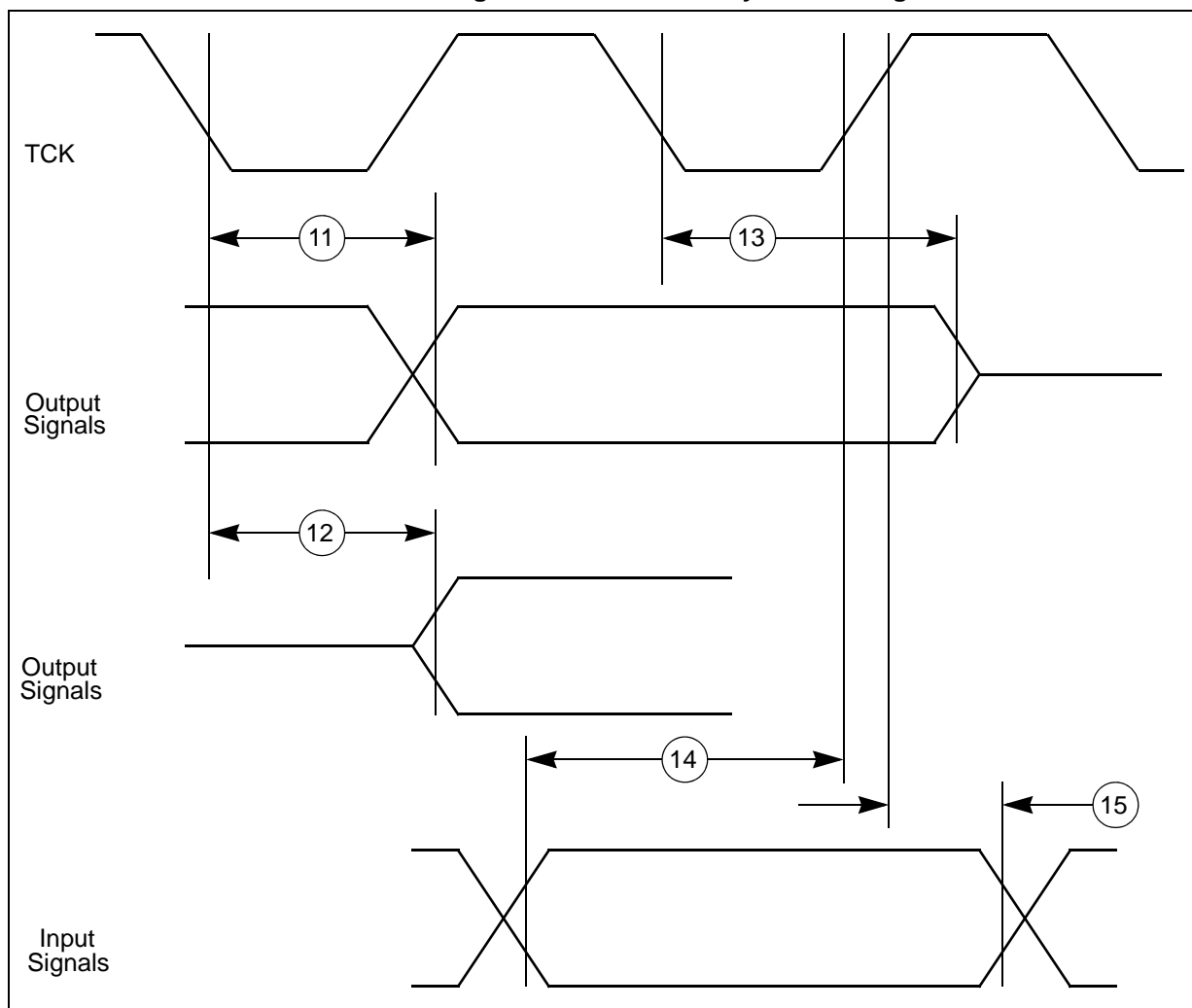


Figure 9. JTAG boundary scan timing



### 4.16.2 Nexus timing

Table 38. Nexus debug port timing<sup>(1)</sup>

#	Symbol	C	D	Characteristic	Min. Value	Max. Value	Unit
1	$t_{MCYC}$	CC	D	MCKO Cycle Time	2 <sup>(2),(3)</sup>	8	$t_{CYC}$
1a	$t_{MCYC}$	CC	D	Absolute Minimum MCKO Cycle Time	100 <sup>(4)</sup>	—	ns
2	$t_{MDC}$	CC	D	MCKO Duty Cycle	40	60	%
3	$t_{MDOV}$	CC	D	MCKO Low to MDO Data Valid <sup>(5)</sup>	- 0.1	0.2	$t_{MCYC}$
4	$t_{MSEOV}$	CC	D	MCKO Low to $\overline{MSEO}$ Data Valid <sup>(5)</sup>	0.1	0.2	$t_{MCYC}$
6	$t_{EVT OV}$	CC	D	MCKO Low to $\overline{EVT O}$ Data Valid <sup>(5)</sup>	- 0.1	0.2	$t_{MCYC}$
7	$t_{EVTIPW}$	CC	D	$\overline{EVTI}$ Pulse Width	4.0	—	$t_{TCYC}$
8	$t_{EVTOPW}$	CC	D	$\overline{EVT O}$ Pulse Width	1	—	$t_{MCYC}$
9	$t_{TCYC}$	CC	D	TCK Cycle Time	4 <sup>(6),(7)</sup>	—	$t_{CYC}$

Table 38. Nexus debug port timing<sup>(1)</sup> (continued)

#	Symbol	C	Characteristic	Min. Value	Max. Value	Unit	
9a	t <sub>TCYC</sub>	CC	D	Absolute Minimum TCK Cycle Time	100 <sup>(8)</sup>	ns	
10	t <sub>TDC</sub>	CC	D	TCK Duty Cycle	40	60	%
11	t <sub>NTDIS</sub>	CC	D	TDI Data Setup Time	5	—	ns
12	t <sub>NTDIH</sub>	CC	D	TDI Data Hold Time	25	—	ns
13	t <sub>NTMSS</sub>	CC	D	TMS Data Setup Time	5	—	ns
14	t <sub>NTMSH</sub>	CC	D	TMS Data Hold Time	25	—	ns
15	t <sub>JOV</sub>	CC	D	TCK Low to TDO Data Valid	10	20	ns

1. All Nexus timing relative to MCKO is measured from 50% of MCKO and 50% of the respective signal. Nexus timing specified at V<sub>DD</sub> = 1.14 V to 1.32 V, V<sub>DDEH</sub> = 4.5 V to 5.25 V with multi-voltage pads programmed to Low-Swing mode, T<sub>A</sub> = TL to TH, and CL = 30 pF with DSC = 0b10.
2. Achieving the absolute minimum MCKO cycle time may require setting the MCKO divider to more than its minimum setting (NPC\_PCR[MCKO\_DIV]) depending on the actual system frequency being used.
3. This is a functionally allowable feature. However, this may be limited by the maximum frequency specified by the Absolute minimum MCKO period specification.
4. This may require setting the MCKO divider to more than its minimum setting (NPC\_PCR[MCKO\_DIV]) depending on the actual system frequency being used.
5. MDO, MSEO, and EVTO data is held valid until next MCKO low cycle.
6. Achieving the absolute minimum TCK cycle time may require a maximum clock speed (system frequency / 8) that is less than the maximum functional capability of the design (system frequency / 4) depending on the actual system frequency being used.
7. This is a functionally allowable feature. However, this may be limited by the maximum frequency specified by the Absolute minimum TCK period specification.
8. This may require a maximum clock speed (system frequency / 8) that is less than the maximum functional capability of the design (system frequency / 4) depending on the actual system frequency being used.

Figure 10. Nexus output timing

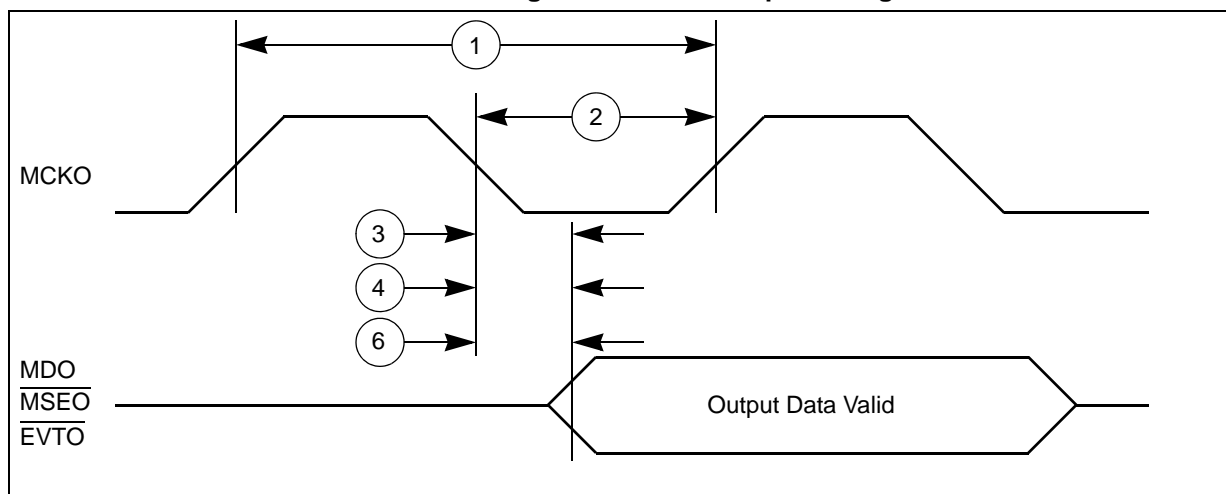


Figure 11. Nexus event trigger and test clock timings

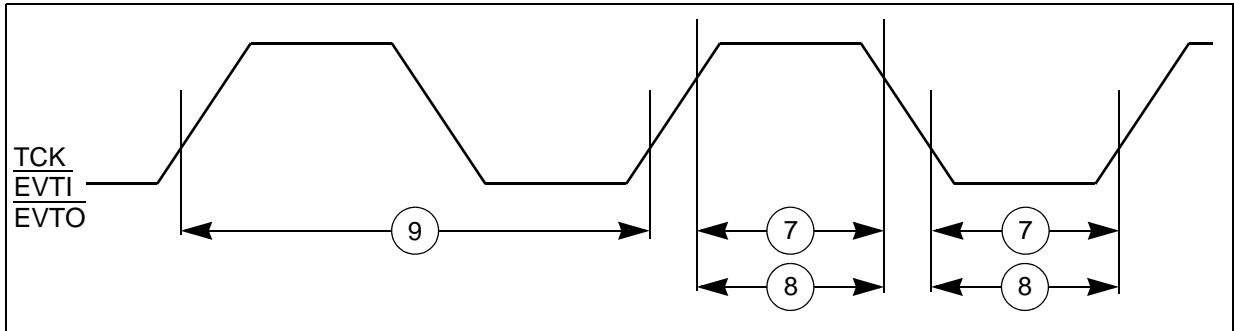
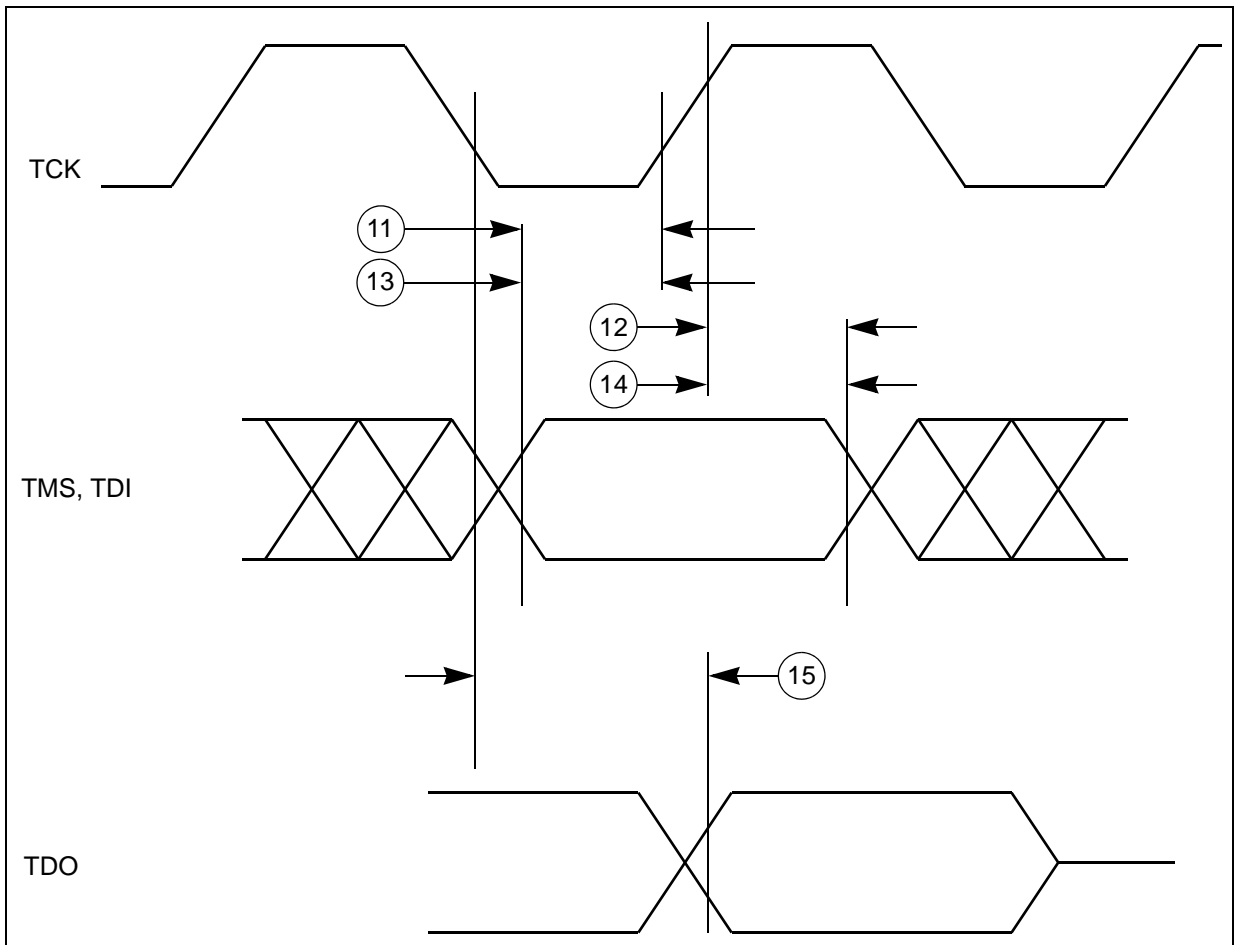


Figure 12. Nexus TDI, TMS, TDO timing





4.16.3 Calibration bus interface timing

Table 39. Calibration bus operation timing <sup>(1)</sup>

#	Symbol	C	Characteristic	66 MHz (ext. bus) <sup>(2)</sup>		Unit	Notes	
				Min	Max			
1	T <sub>C</sub>	CC	P	CLKOUT Period	15.2	—	ns	Signals are measured at 50% V <sub>DDE</sub> .
2	t <sub>CDC</sub>	CC	D	CLKOUT duty cycle	45%	55%	T <sub>C</sub>	
3	t <sub>CRT</sub>	CC	D	CLKOUT rise time	—	(3)	ns	
4	t <sub>CFT</sub>	CC	D	CLKOUT fall time	—	(3)	ns	
5	t <sub>COH</sub>	CC	D	CLKOUT Posedge to Output Signal Invalid or High Z(Hold Time)  ADDR[8:31] CS[0:3] DATA[0:31] OE RD_ $\overline{WR}$ TS $\overline{WE}$ [0:3]/ $\overline{BE}$ [0:3]	1.0 <sup>(4)</sup> /1.5	—	ns	Hold time selectable via SIU_ECCR[EBTS] bit: EBTS=0: 1.0ns EBTS=1: 1.5ns
6	t <sub>COV</sub>	CC	D	CLKOUT Posedge to Output Signal Valid (Output Delay)  ADDR[8:31] CS[0:3] DATA[0:31] OE RD_ $\overline{WR}$ TS $\overline{WE}$ [0:3]/ $\overline{BE}$ [0:3]	—	6.0 <sup>(4)</sup> /7.0	ns	Output valid time selectable via SIU_ECCR[EBTS] bit: EBTS=0: 5.5ns EBTS=1: 6.5ns
7	t <sub>CIS</sub>	CC	D	Input Signal Valid to CLKOUT Posedge (Setup Time)  DATA[0:31]	5.0	—	ns	
8	t <sub>CIH</sub>	CC	D	CLKOUT Posedge to Input Signal Invalid (Hold Time)  DATA[0:31]	1.0	—	ns	
9	t <sub>APW</sub>	CC	D	ALE Pulse Width <sup>(5)</sup>	6.5	—	ns	
10	t <sub>AAI</sub>	CC	D	ALE Negated to Address Invalid <sup>(5)</sup>	3	—	ns	

1. Calibration bus timing specified at f<sub>sys</sub> = 80 MHz, V<sub>DD</sub> = 1.14 V to 1.32 V, V<sub>DDE</sub> = 1.62 V to 3.6 V (unless stated otherwise), T<sub>A</sub> = T<sub>L</sub> to T<sub>H</sub>, and C<sub>L</sub> = 30 pF with DSC = 0b10.

2. The external bus is limited to half the speed of the internal bus. The maximum external bus frequency is 66 MHz.



- 3. Refer to Fast Pad timing in [Table 35](#) and [Table 36](#) (different values for 3.3 V vs. 1.8 V).
- 4. The EBTS=0 timings are only valid/ tested at  $V_{DDE}=2.25\text{--}3.6$  V, whereas EBTS=1 timings are valid/tested at 1.6–3.6 V.
- 5. Measured at 50% of ALE.

Figure 13. CLKOUT timing

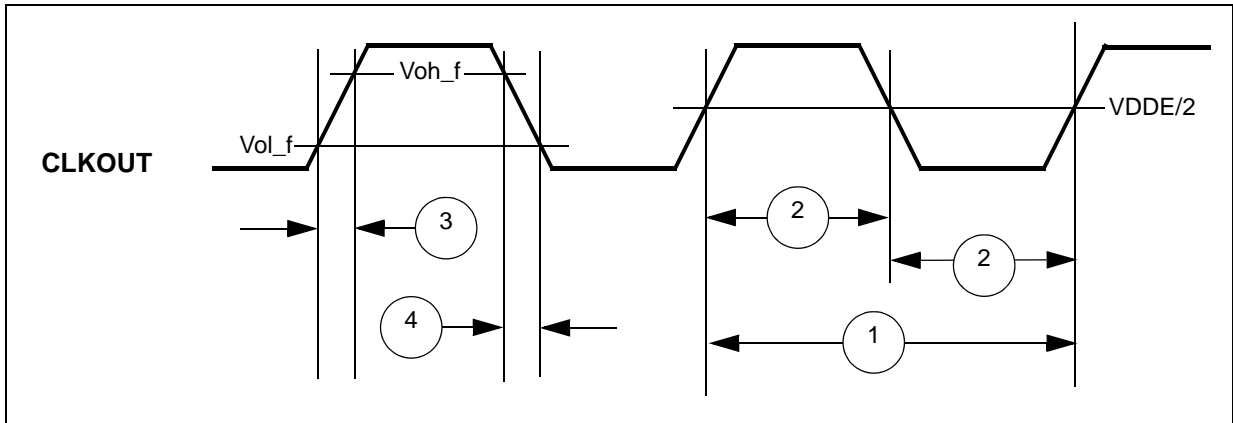


Figure 14. Synchronous output timing

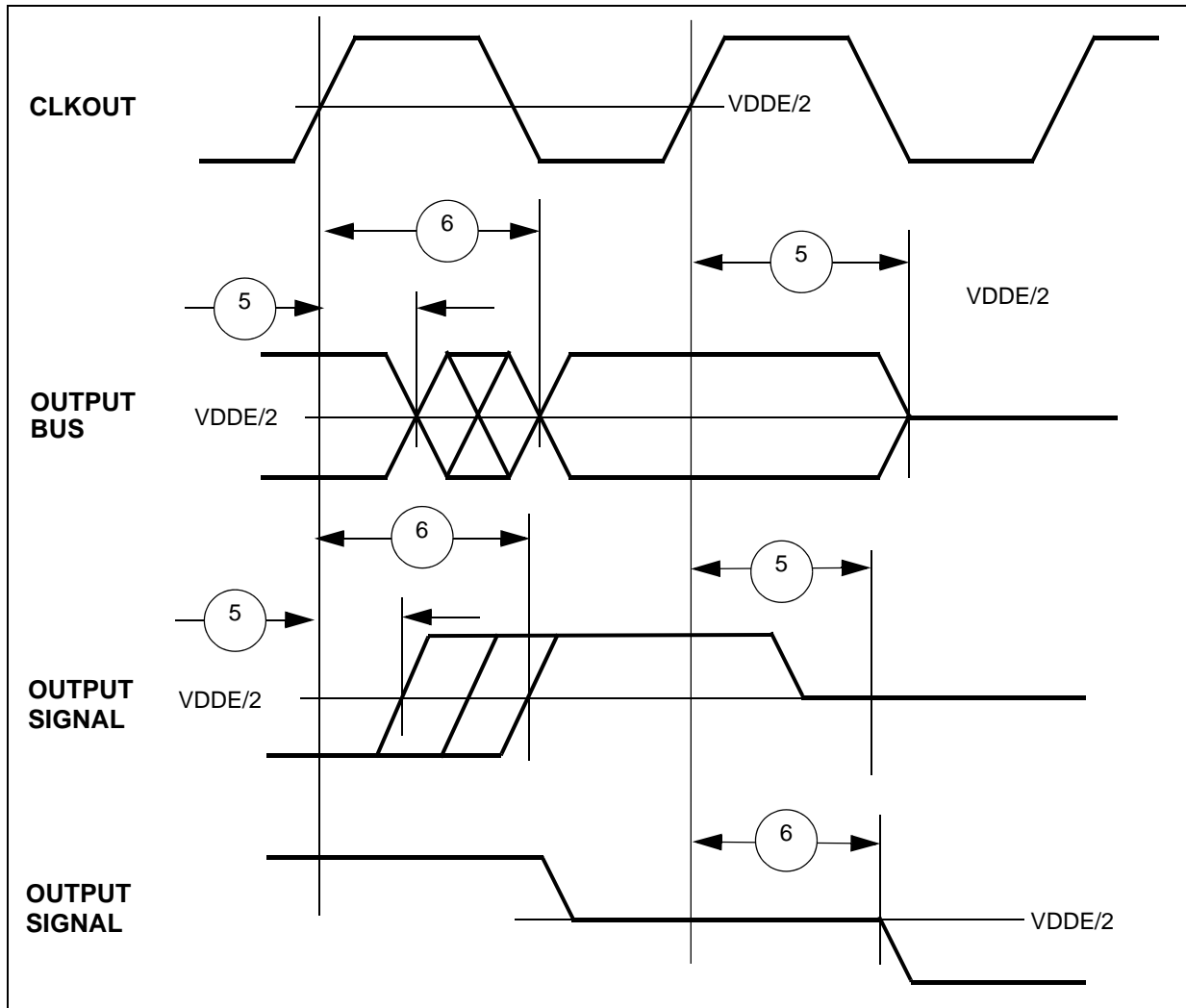


Figure 15. Synchronous input timing

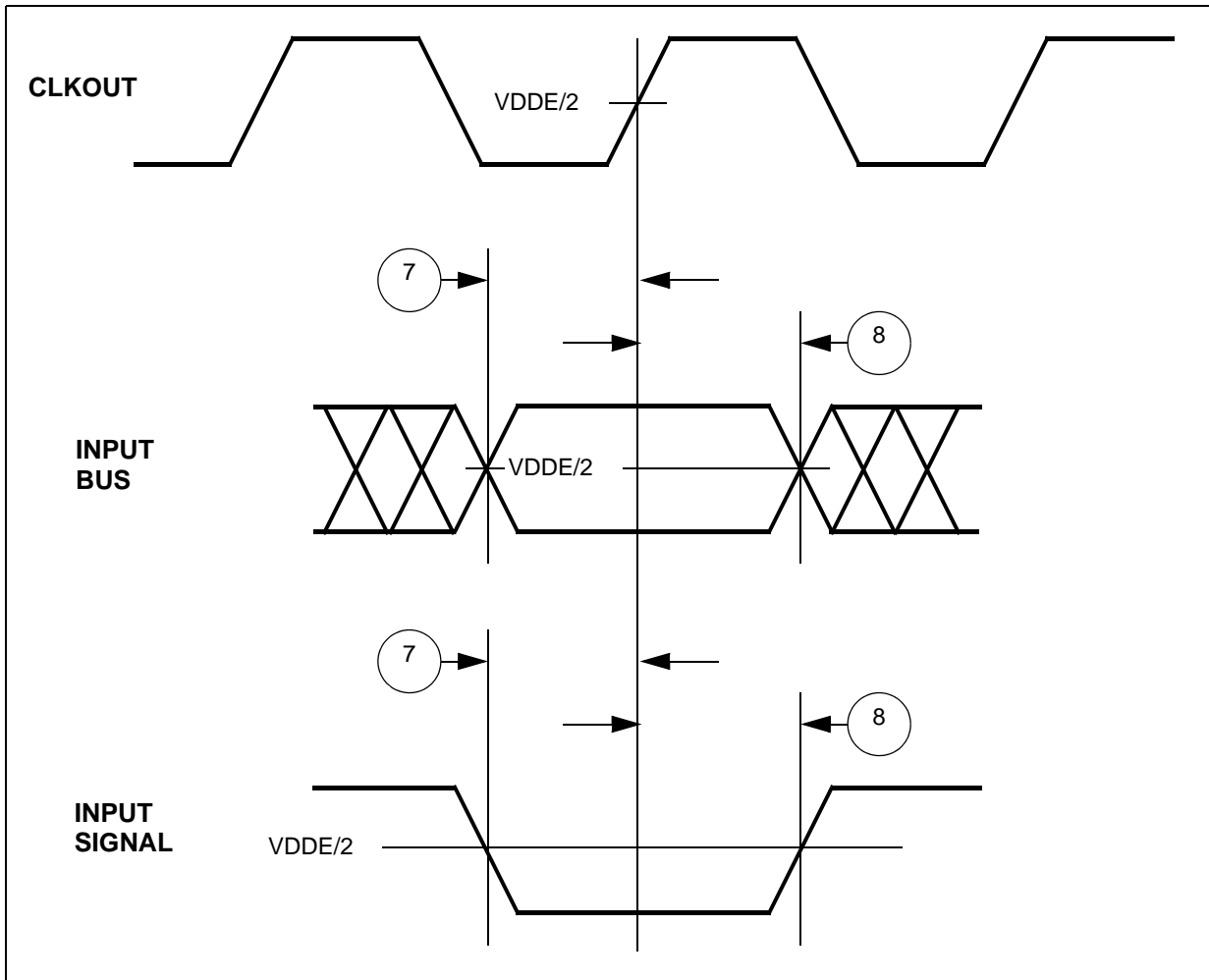
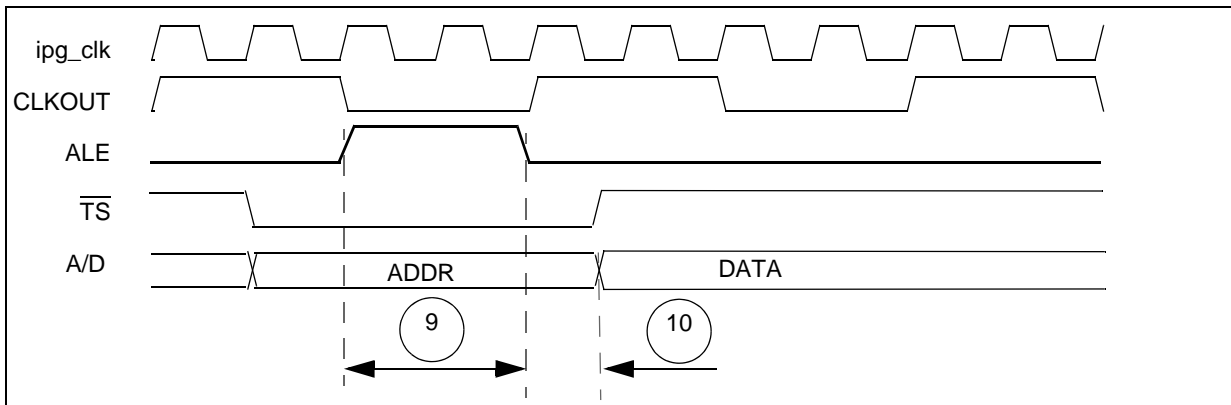


Figure 16. ALE signal timing



4.16.4 eMIOS timing

Table 40. eMIOS timing<sup>(1)</sup>

#	Symbol	C	Characteristic	Min. Value	Max. Value	Unit	
1	t <sub>MIPW</sub>	CC	D	eMIOS Input Pulse Width	4	—	t <sub>CYC</sub>
2	t <sub>MOPW</sub>	CC	D	eMIOS Output Pulse Width	1	—	t <sub>CYC</sub>

1. eMIOS timing specified at f<sub>SYS</sub> = 80 MHz, V<sub>DD</sub> = 1.14 V to 1.32 V, V<sub>DDEH</sub> = 4.5 V to 5.25 V, T<sub>A</sub> = T<sub>L</sub> to T<sub>H</sub>, and C<sub>L</sub> = 50 pF with SRC = 0b00.

4.16.5 DSPI timing

Table 41. DSPI timing<sup>(1)(2)</sup>

#	Symbol	C	Characteristic	40 MHz		64 MHz		80 MHz		Unit	
				Min	Max	Min	Max	Min	Max		
1	t <sub>SCK</sub>	CC	D	SCK Cycle Time <sup>(3),(4)</sup>	48.8 ns	5.8 ms	28.4 ns	3.5 ms	24.4 ns	2.9 ms	—
2	t <sub>CSC</sub>	CC	D	PCS to SCK Delay <sup>(5)</sup>	46	—	26	—	22	—	ns
3	t <sub>ASC</sub>	CC	D	After SCK Delay <sup>(6)</sup>	45	—	25	—	21	—	ns
4	t <sub>SDC</sub>	CC	D	SCK Duty Cycle	( $\frac{1}{2}t_{SC}$ ) - 2	( $\frac{1}{2}t_{SC}$ ) + 2	( $\frac{1}{2}t_{SC}$ ) - 2	( $\frac{1}{2}t_{SC}$ ) + 2	( $\frac{1}{2}t_{SC}$ ) - 2	( $\frac{1}{2}t_{SC}$ ) + 2	ns
5	t <sub>A</sub>	CC	D	Slave Access Time ( $\overline{SS}$ active to SOUT driven)	—	25	—	25	—	25	ns
6	t <sub>DIS</sub>	CC	D	Slave SOUT Disable Time ( $\overline{SS}$ inactive to SOUT High-Z or invalid)	—	25	—	25	—	25	ns
7	t <sub>PCSC</sub>	CC	D	PCSx to $\overline{PCSS}$ time	4	—	4	—	4	—	ns
8	t <sub>PASC</sub>	CC	D	$\overline{PCSS}$ to PCSx time	5	—	5	—	5	—	ns
9	t <sub>SUI</sub>	CC	Data Setup Time for Inputs								
			D	Master (MTFE = 0)	20	—	20	—	20	—	ns
			D	Slave	2	—	2	—	2	—	
			D	Master (MTFE = 1, CPHA = 0) <sup>(7)</sup>	-4	—	6	—	8	—	
D	Master (MTFE = 1, CPHA = 1)	20	—	20	—	20	—				

Table 41. DSPI timing<sup>(1)(2)</sup> (continued)

#	Symbol	C	Characteristic	40 MHz		64 MHz		80 MHz		Unit	
				Min	Max	Min	Max	Min	Max		
10	t <sub>HI</sub>	CC	Data Hold Time for Inputs								
			D	Master (MTFE = 0)	-4	—	-4	—	-4	—	ns
			D	Slave	7	—	7	—	7	—	
			D	Master (MTFE = 1, CPHA = 0) <sup>(7)</sup>	45	—	25	—	21	—	
D	Master (MTFE = 1, CPHA = 1)	-4	—	-4	—	-4	—				
11	t <sub>SUO</sub>	CC	Data Valid (after SCK edge)								
			D	Master (MTFE = 0)	—	6	—	6	—	6	ns
			D	Slave	—	25	—	25	—	25	
			D	Master (MTFE = 1, CPHA=0)	—	45	—	25	—	21	
D	Master (MTFE = 1, CPHA=1)	—	6	—	6	—	6				
12	t <sub>HO</sub>	CC	Data Hold Time for Outputs								
			D	Master (MTFE = 0)	-5	—	-5	—	-5	—	ns
			D	Slave	5.5	—	5.5	—	5.5	—	
			D	Master (MTFE = 1, CPHA = 0)	8	—	4	—	3	—	
D	Master (MTFE = 1, CPHA = 1)	-5	—	-5	—	-5	—				

1. All DSPI timing specifications use the fastest slew rate (SRC = 0b11) on pad type M or MH. DSPI signals using pad types of S or SH have an additional delay based on the slew rate. DSPI timing is specified at VDDEH = 3.0–5.25 V, TA = TL to TH, and CL = 50 pF with SRC = 0b11.
2. Speed is the nominal maximum frequency. Max speed is the maximum speed allowed including frequency modulation (FM). 42 MHz parts allow for 40 MHz system clock + 2% FM; 66 MHz parts allow for a 64 MHz system clock + 2% FM, and 82 MHz parts allow for 80 MHz system clock + 2% FM.
3. The minimum DSPI Cycle Time restricts the baud rate selection for given system clock rate. These numbers are calculated based on two SPC563Mxx devices communicating over a DSPI link.
4. The actual minimum SCK cycle time is limited by pad performance.
5. The maximum value is programmable in DSPI\_CTARx[PSSCK] and DSPI\_CTARx[CSSCK].
6. The maximum value is programmable in DSPI\_CTARx[PASC] and DSPI\_CTARx[ASC].
7. This number is calculated assuming the SMPL\_PT bitfield in DSPI\_MCR is set to 0b10.



Figure 17. DSPI classic SPI timing – master, CPHA = 0

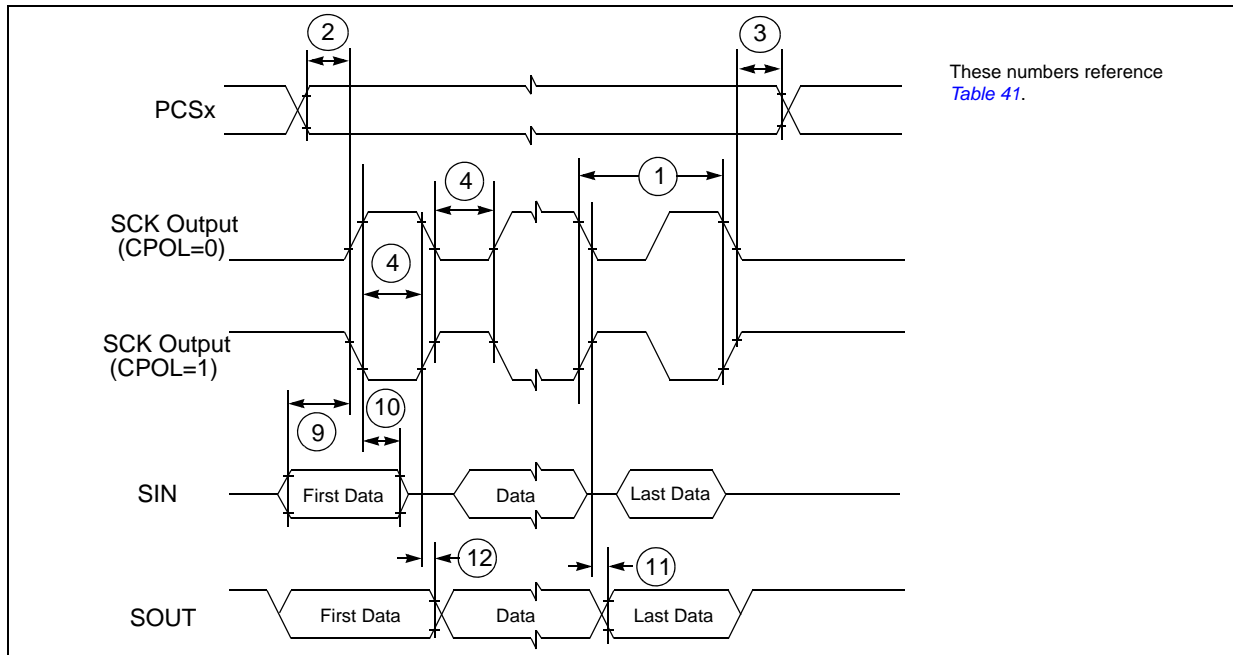


Figure 18. DSPI classic SPI timing – master, CPHA = 1

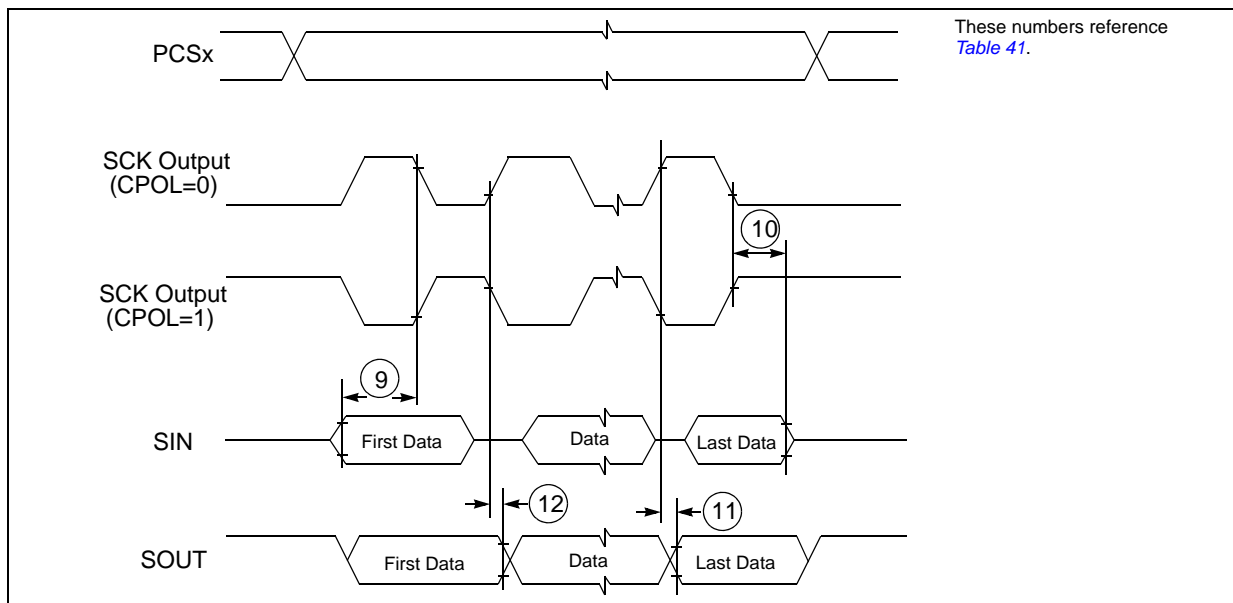


Figure 19. DSPI classic SPI timing – slave, CPHA = 0

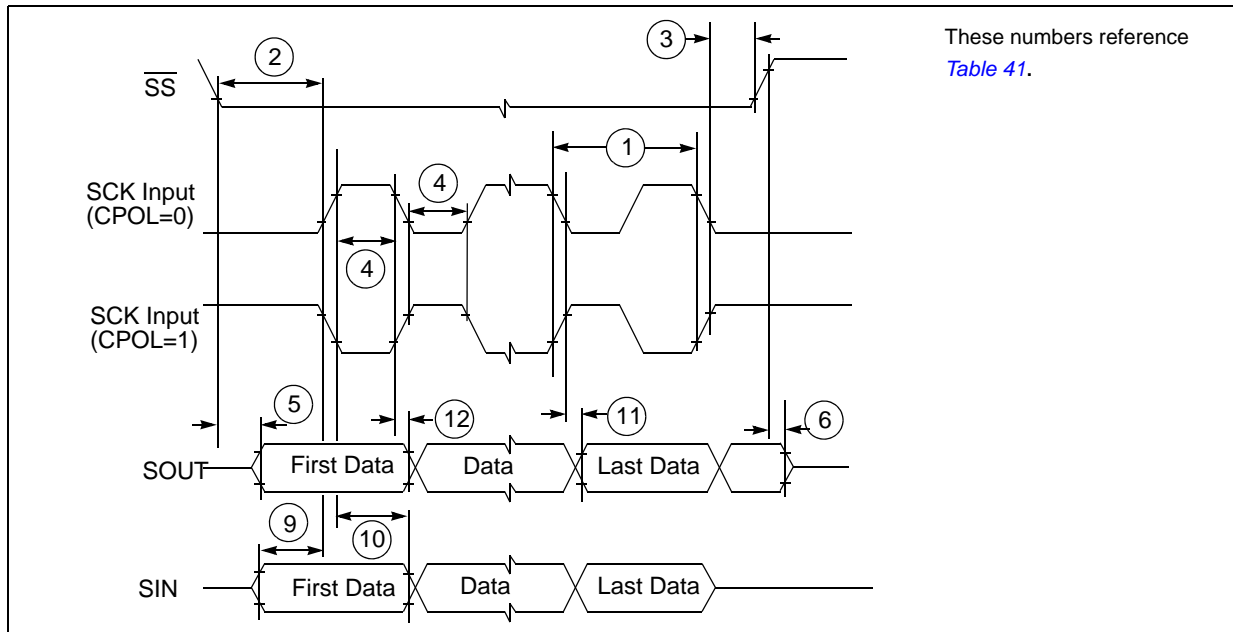


Figure 20. DSPI classic SPI timing – slave, CPHA = 1

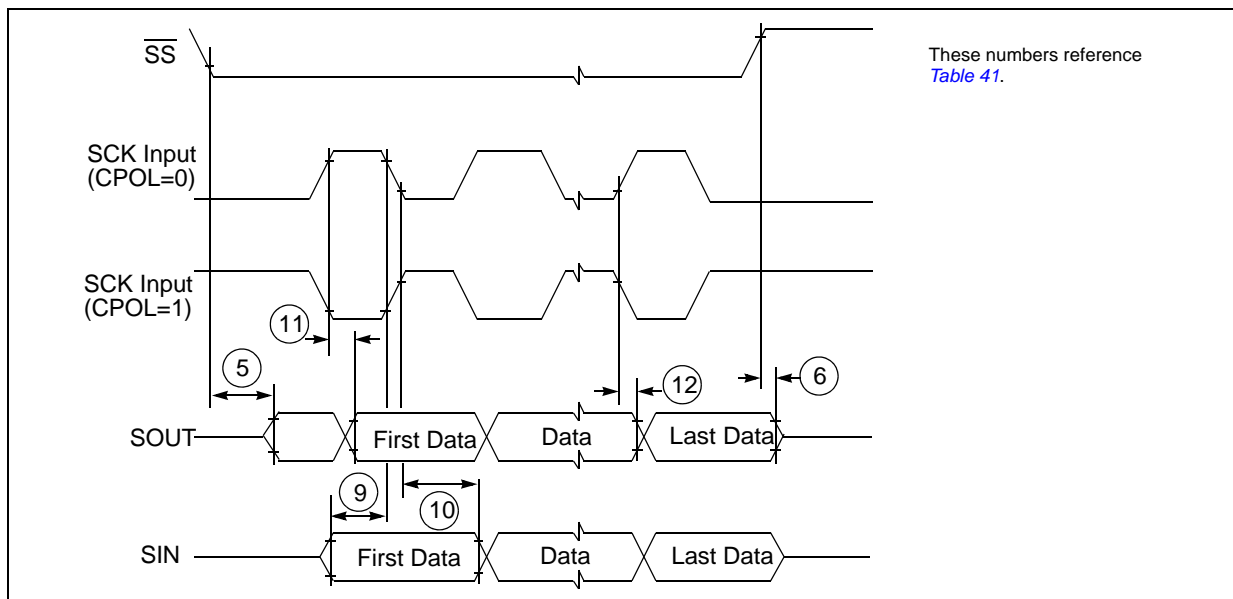




Figure 21. DSPI modified transfer format timing – master, CPHA = 0

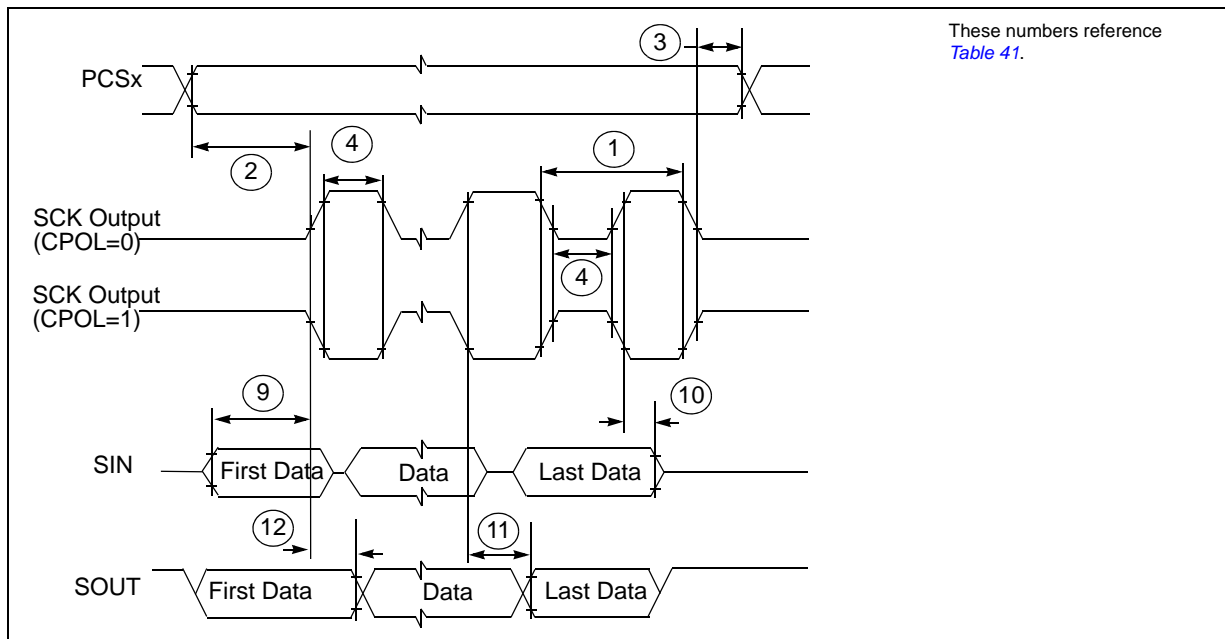


Figure 22. DSPI modified transfer format timing – master, CPHA = 1

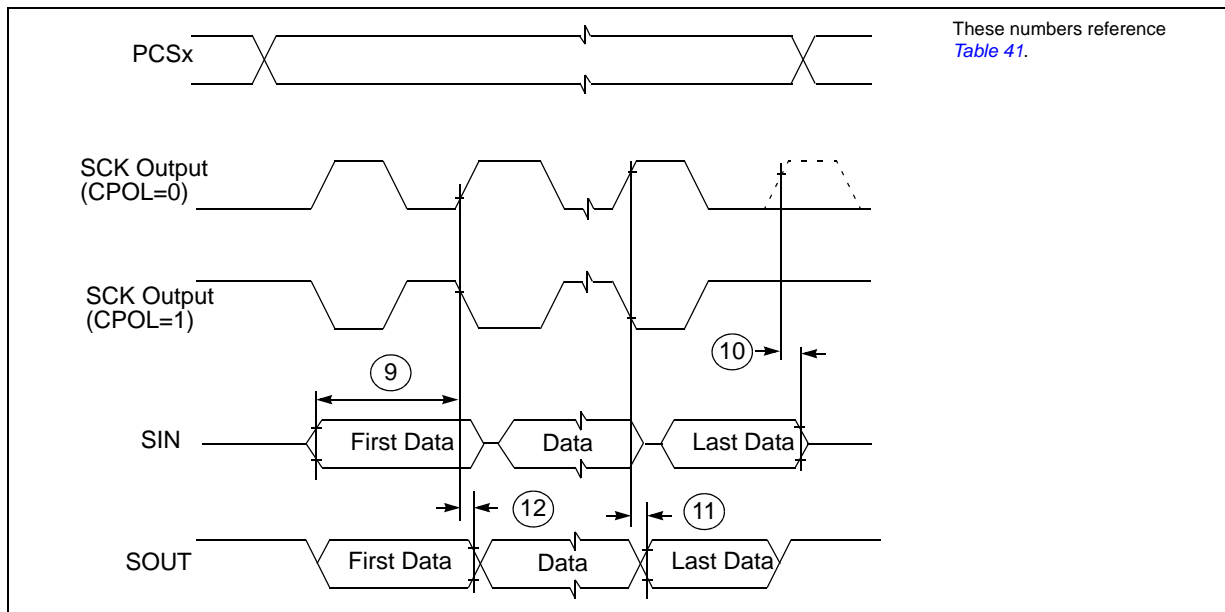


Figure 23. DSPI modified transfer format timing – slave, CPHA = 0

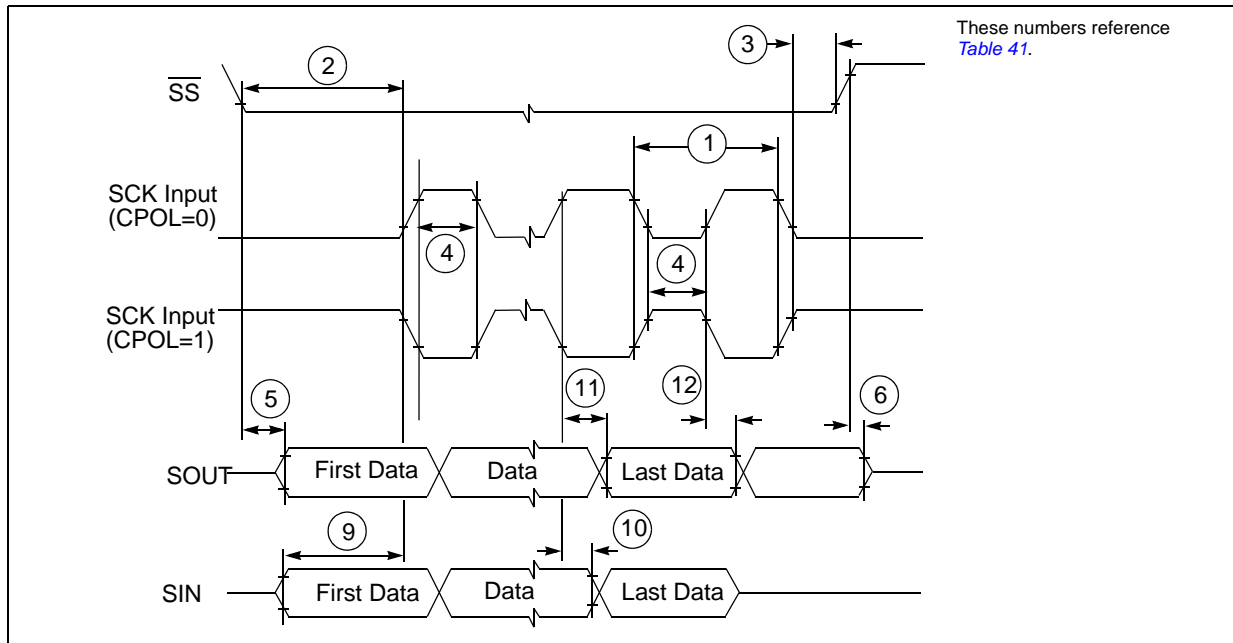


Figure 24. DSPI modified transfer format timing – slave, CPHA = 1

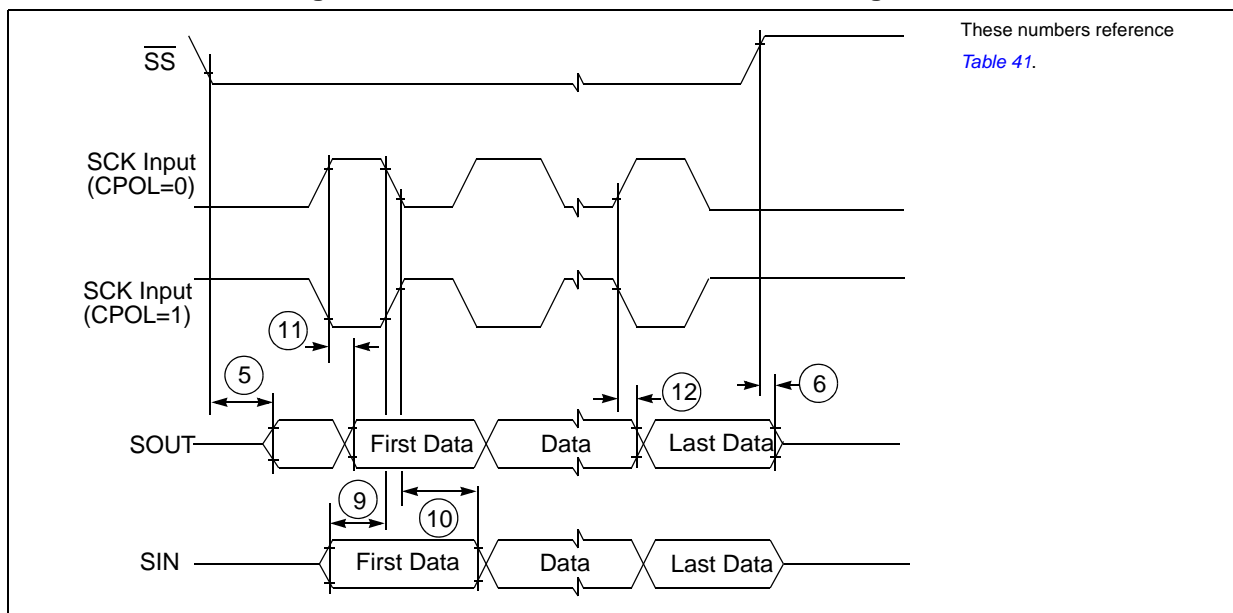
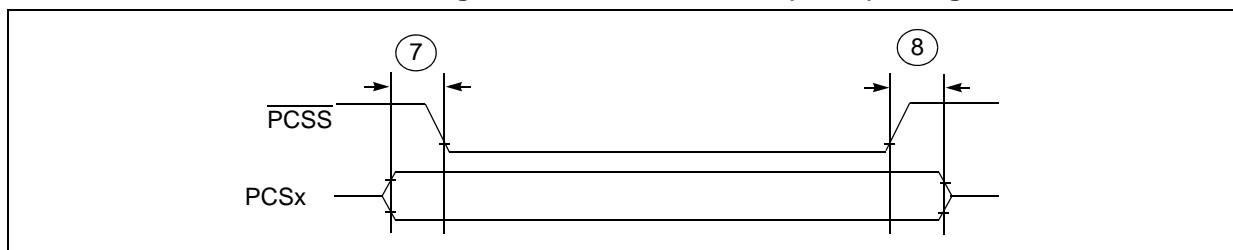


Figure 25. DSPI PCS strobe ( $\overline{PCSS}$ ) timing



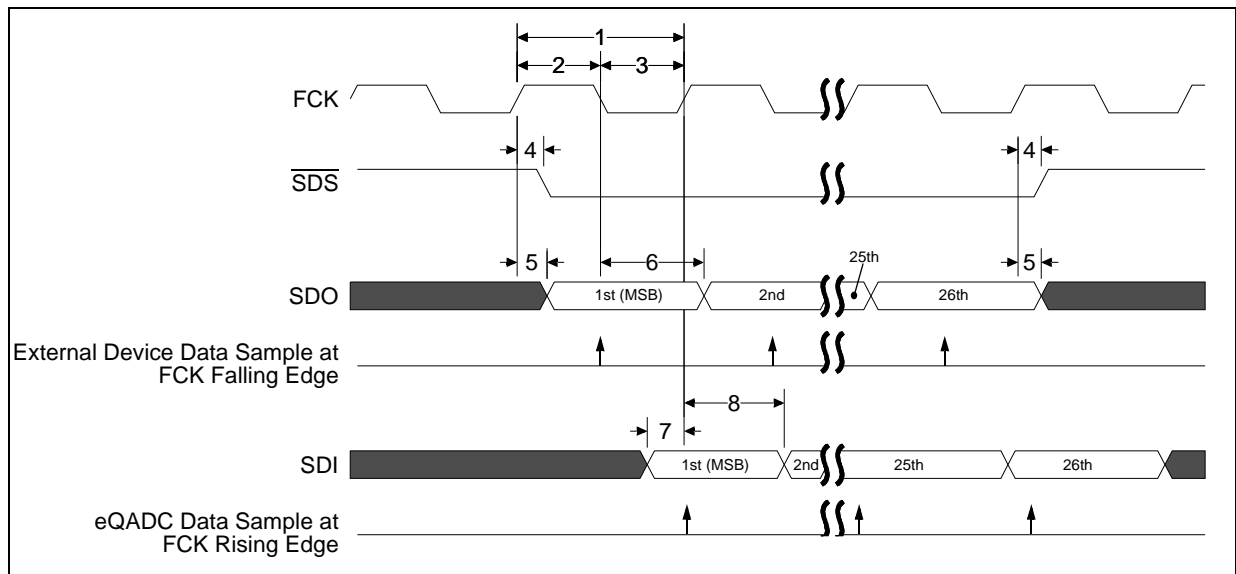
4.16.6 eQADC SSI timing

Table 42. eQADC SSI timing characteristics (pads at 3.3 V or at 5.0 V)<sup>(1)</sup>

CLOAD = 25pF on all outputs. Pad drive strength set to maximum.								
#	Symbol	C	D	Rating	Min	Typ	Max	Unit
1	f <sub>FCK</sub>	CC	D	FCK Frequency <sup>(2), (3)</sup>	1/17 f <sub>SYS_CLK</sub>		1/2 f <sub>SYS_CLK</sub>	Hertz
1	t <sub>FCK</sub>	CC	D	FCK Period (t <sub>FCK</sub> = 1/ f <sub>FCK</sub> )	2 t <sub>SYS_CLK</sub>		17t <sub>SYS_CLK</sub>	seconds
2	t <sub>FCKHT</sub>	CC	D	Clock (FCK) High Time	t <sub>SYS_CLK</sub> - 6.5		9* t <sub>SYS_CLK</sub> + 6.5	ns
3	t <sub>FCKLT</sub>	CC	D	Clock (FCK) Low Time	t <sub>SYS_CLK</sub> - 6.5		8* t <sub>SYS_CLK</sub> + 6.5	ns
4	t <sub>SDS_LL</sub>	CC	D	SDS Lead/Lag Time	-7.5		+7.5	ns
5	t <sub>SDO_LL</sub>	CC	D	SDO Lead/Lag Time	-7.5		+7.5	ns
6	t <sub>DVFE</sub>	CC	D	Data Valid from FCK Falling Edge (t <sub>FCKLT</sub> +t <sub>SDO_LL</sub> )	1			ns
7	t <sub>EQ_SU</sub>	CC	D	eQADC Data Setup Time (Inputs)	22			ns
8	t <sub>EQ_HO</sub>	CC	D	eQADC Data Hold Time (Inputs)	1			ns

1. SS timing specified at f<sub>SYS</sub> = 80 MHz, V<sub>DD</sub> = 1.14 V to 1.32 V, V<sub>DDEH</sub> = 4.5 V to 5.25 V, T<sub>A</sub> = T<sub>L</sub> to T<sub>H</sub>, and C<sub>L</sub> = 50 pF with SRC = 0b00.
2. Maximum operating frequency is highly dependent on track delays, master pad delays, and slave pad delays.
3. FCK duty is not 50% when it is generated through the division of the system clock by an odd number.

Figure 26. eQADC SSI timing



## 5 Packages

### 5.1 ECOPACK®

In order to meet environmental requirements, ST offers these devices in different grades of ECOPACK® packages, depending on their level of environmental compliance. ECOPACK® specifications, grade definitions and product status are available at: [www.st.com](http://www.st.com). ECOPACK® is an ST trademark.

### 5.2 Package mechanical data

#### 5.2.1 LQFP144

Figure 27. LQFP144 package mechanical drawing

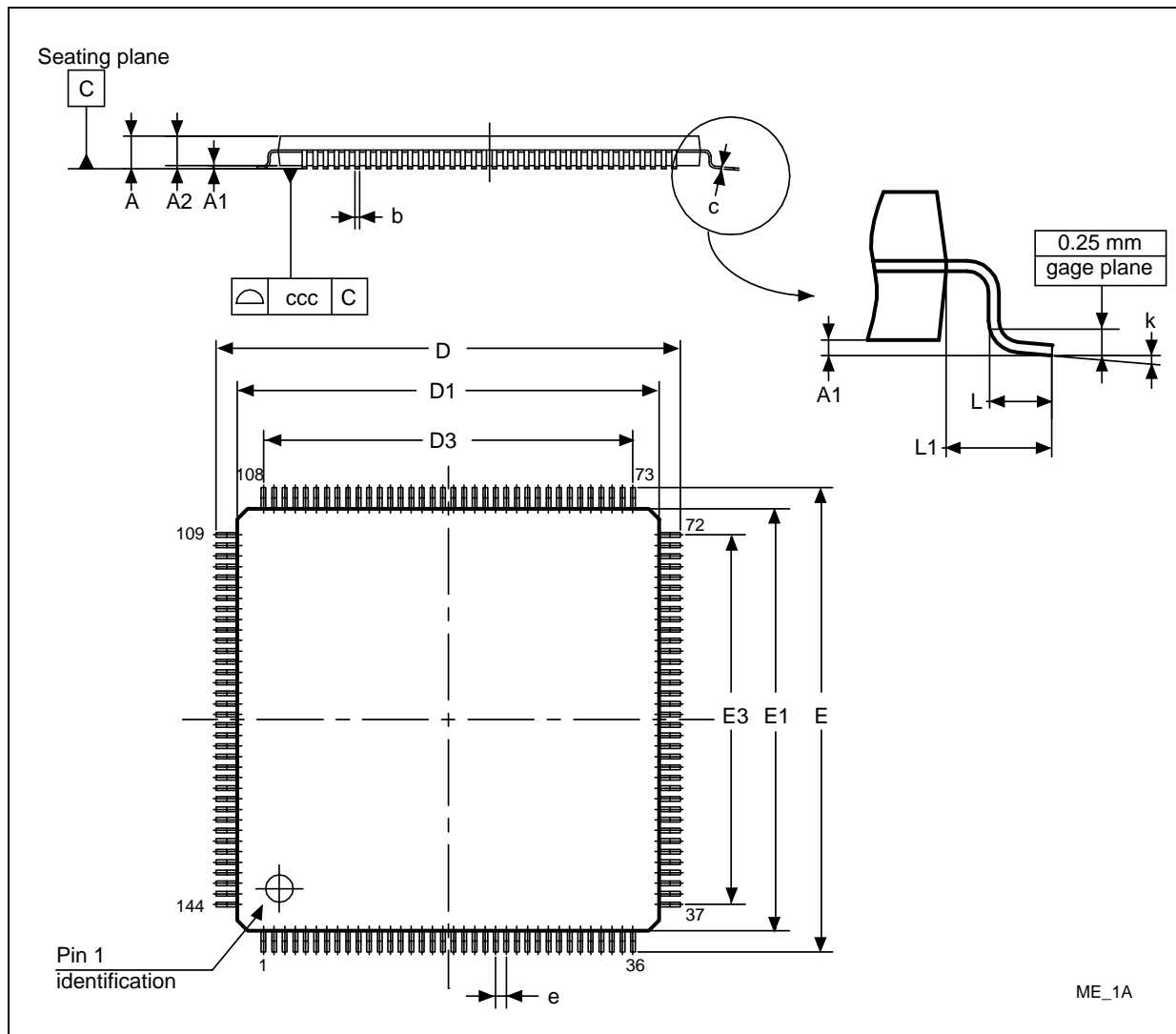


Table 43. LQFP144 mechanical data

Symbol	Dimensions					
	Millimeters			Inches <sup>(1)</sup>		
	Min	Typ	Max	Min	Typ	Max
A	—	—	1.600	—	—	0.0630
A1	0.050	—	0.150	0.0020	—	0.0059
A2 <sup>(2),(3)</sup>	1.350	1.400	1.450	0.0531	0.0551	0.0571
b	0.170	0.220	0.270	0.0067	0.0087	0.0106
c	0.090	—	0.200	0.0035	—	0.0079
D	21.800	22.000	22.200	0.8583	0.8661	0.8740
D1	19.800	20.000	20.200	0.7795	0.7874	0.7953
D3	—	17.500	—	—	0.6890	—
E	21.800	22.000	22.200	0.8583	0.8661	0.8740
E1	19.800	20.000	20.200	0.7795	0.7874	0.7953
E3	—	17.500	—	—	0.6890	—
e	—	0.500	—	—	0.0197	—
L	0.450	0.600	0.750	0.0177	0.0236	0.0295
L1	—	1.000	—	—	0.0394	—
k	0°	3.5°	7°	0°	3.5°	7°
ccc <sup>(4)</sup>	0.08			0.003		

1. Values in inches are converted from millimeters (mm) and rounded to four decimal digits.
2. LQFP stands for Low profile plastic quad flat package. Low profile: A2 (body thickness) = 1.4 mm.
3. Exact shape of each corner is optional.
4. Tolerance.

5.2.2 LQFP176

Figure 28. LQFP176 package mechanical drawing

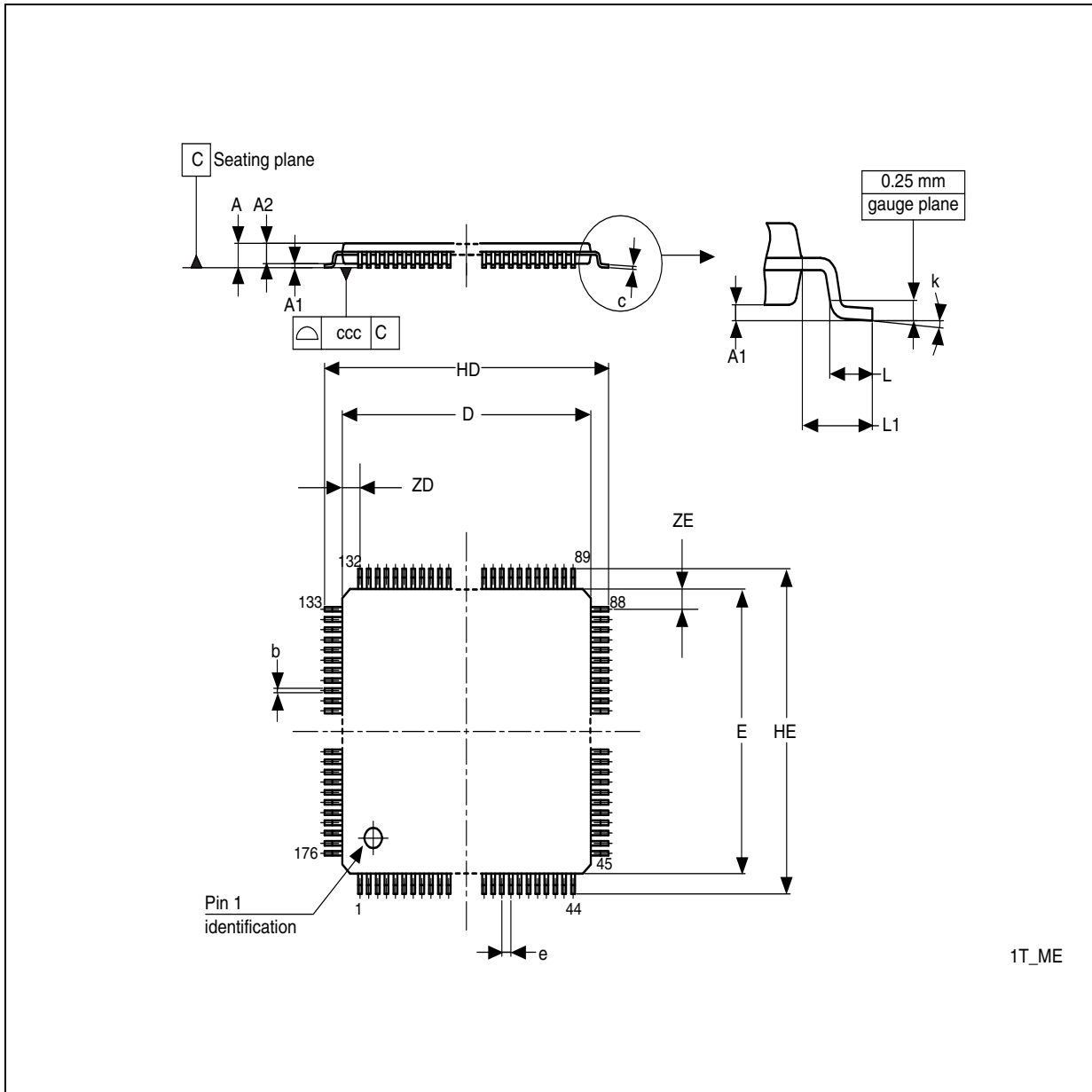


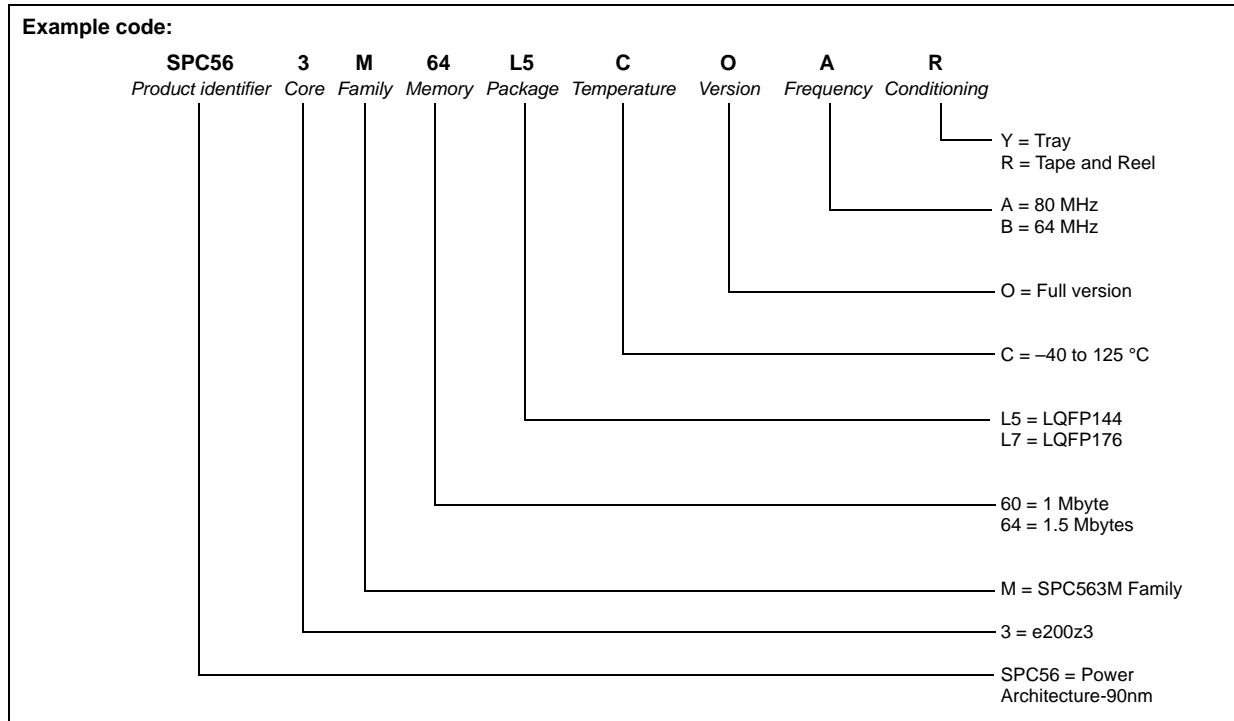
Table 44. LQFP176 mechanical data

Symbol	Dimensions					
	Millimeters			Inches <sup>(1)</sup>		
	Min	Typ	Max	Min	Typ	Max
A	—	—	1.600	—	—	0.063
A1	0.050	—	0.150	0.002	—	—
A2	1.350	—	1.450	0.053	—	0.057
b	0.170	—	0.270	0.007	—	0.011
C	0.090	—	0.200	0.004	—	0.008
D	23.900	—	24.100	0.941	—	0.949
E	23.900	—	24.100	0.941	—	0.949
e	—	0.500	—	—	0.020	—
HD	25.900	—	26.100	1.020	—	1.028
HE	25.900	—	26.100	1.020	—	1.028
L <sup>(2)</sup>	0.450	—	0.750	0.018	—	0.030
L1	—	1.000	—	—	0.039	—
ZD	—	1.250	—	—	0.049	—
ZE	—	1.250	—	—	0.049	—
ccc	—	—	0.080	—	—	0.003

1. Values in inches are converted from millimeters (mm) and rounded to four decimal digits.
2. L dimension is measured at gauge plane at 0.25 above the seating plane.

## 6 Ordering information

Figure 29. Commercial product code structure





# 7 Revision history

Table 45 summarizes revisions to this document.

**Table 45. Document revision history**

Date	Revision	Changes
18-Apr-2008	1	Initial release
16-May-2008	2	<ul style="list-style-type: none"> <li>– Maximum amount of Flash increased from 1 MB to 1.5 MB. Flash memory type has changed. Rev. 1 and later devices use LC Flash instead of FL Flash.</li> <li>– Additional packages offered—now includes LQFP100 and LQFP176. Please note that the pinouts can vary for the same package depending on the amount of Flash memory included in the device.</li> <li>– Device comparison table added.</li> <li>– Feature details section added</li> <li>– Signal summary table expanded. Now includes PCR register numbers and signal selection values and pin numbers for all production packages.</li> <li>– Electrical characteristics updated.</li> <li>– DSPI timing data added for 40 MHz and 60 MHz.</li> <li>– Thermal characteristics data updated. Data added for 100- and 176-pin packages.</li> <li>– DSPI LVDS pad specifications added.</li> </ul>
16-Mar-2009	3	<p>Electrical characteristics updated</p> <ul style="list-style-type: none"> <li>– Flash memory electrical characteristics updated for LC Flash</li> <li>– Power management control (PMC) and Power on Reset (POR) specifications updated</li> <li>– EMI characteristics data added</li> <li>– Maximum ratings updated</li> <li>– I/O pad current specifications updated</li> <li>– I/O Pad VRC33 current specifications added</li> <li>– Temperature sensor electrical characteristics added</li> </ul> <p>Pad type added to “Voltage” column of signal summary table</p> <p>Many signal names have changed to make them more understandable</p> <ul style="list-style-type: none"> <li>– DSPI: PCS_C[n] is now DSPI_C_PCS[n]; SOUT_C is now DSPI_C_SOUT, SIN_C is now DSPI_C_SIN, and SCK_C is now DSPI_C_SCK</li> <li>– CAN: CNTXB is now CAN_B_TX and CNRXB is now CAN_B_RC</li> <li>– SCI: RXDB is now SCI_B_RX and TXDB is now SCI_B_TX</li> </ul> <p>– In cases where multiple instances of the same IP block is incorporated into the device, e.g., 2 SCI blocks, the above nomenclature applies to all blocks</p> <p>“No connect” pins on pinouts clarified</p> <ul style="list-style-type: none"> <li>– Pins labelled “NIC” have no internal connection and should be tied to ground</li> <li>– Pins labelled “NC” are not functional pins but may be connected to internal circuits They are to be left floating</li> </ul> <p>Some of the longer multiplexed signal names appearing on pinouts have been moved to the inside of the package body to avoid having to use smaller fonts</p> <p>Orderable parts table updated</p> <p>Part number decoder added</p>

**Table 45. Document revision history (continued)**

Date	Revision	Changes
15-Dec-2009	4	<p>208-pin LPGA ballmap for the SPC563M60 (1024 KB Flash memory) has changed.</p> <p>Power Management Control (PMC) and Power On Reset (POR) electrical specifications updated</p> <p>Temperature sensor data added</p> <p>Specifications now indicate how each controller characteristic parameter is guaranteed.</p> <p>I/O pad current specifications updated</p> <p>I/O Pad VRC33 current specifications updated</p> <p>PAD AC characteristics updated</p> <p>VGA gain specifications added to eQADC electrical characteristics</p> <p>DC electrical specifications updated:</p> <ul style="list-style-type: none"> <li>- Footnote added to RPUPD100K and RPUPD200K: When the pull-up and pull-down of the same nominal 200 K<math>\Omega</math> or 100 K<math>\Omega</math> value are both enabled, assuming no interference from other devices, the resulting pad voltage will be <math>0.5 \times VDDE \pm 2.5\%</math></li> <li>- <math>I_{OL}</math> condition added to <math>V_{OL\_LS}</math>.</li> <li>- <math>I_{OH}</math> condition added to <math>V_{OH\_LS}</math>.</li> <li>- Minimum <math>V_{OH\_LS}</math> is 2.3 V (was 2.7 V).</li> <li>- Separate <math>I_{DDPLL}</math> removed from <math>I_{DD}</math> spec because we can only measure <math>I_{DD} + I_{DDPLL}</math>. <math>I_{DD}</math> increased by 15 mA (to 195 mA) to account for <math>I_{DDPLL}</math>. <math>I_{DD}</math> now documented as <math>I_{DD} + I_{DDPLL}</math>. Footnote added detailing runtime configuration used to measure <math>I_{DD} + I_{DDPLL}</math>.</li> <li>- Specifications for <math>I_{DDSTBY}</math> and <math>I_{DDSTBY150}</math> reformatted to make more clear.</li> <li>- <math>V_{STBY}</math> is now specified by two ranges. The area in between those ranges is indeterminate.</li> </ul> <p>LVDS pad specifications updated:</p> <ul style="list-style-type: none"> <li>- Min value for <math>V_{OD}</math> at SRC=0b01 is 90 mV (was 120); and 160 mV (was 180) at SRC = 0b10</li> </ul> <p>Changes to Signal Properties table:</p> <ul style="list-style-type: none"> <li>- VDDE7 removed as voltage segment from Calibration bus pins. Calibration bus pins are powered by VDDE12 only.</li> <li>- GPIO[139] and GPIO[87] pins changed to Medium pads</li> <li>- Some signal names have changed on 176-pin QFP package pinout: "CAL_x" signals renamed to "ALT_x".</li> </ul> <p>Changes to Pad Types table:</p> <ul style="list-style-type: none"> <li>- Column heading changed from "Voltage" to "Supply Voltage"</li> <li>- MultiV pad high swing mode voltage changed to 3.0 V – 5.25 V (was 4.5 V – 5.25 V)</li> <li>- MultiV pad low swing mode voltage changed to 4.5 V – 5.25 V (was 3.0 V – 3.6 V)</li> </ul> <p>Signal details table added</p> <p>Power/ground segmentation table added</p>

**Table 45. Document revision history (continued)**

Date	Revision	Changes
15-Apr-2010	5	<p>Updates to features list:</p> <ul style="list-style-type: none"> <li>– MMU is 16-entry (previously noted as 8-entry)</li> <li>– ECSM features include single-bit error correction reporting</li> <li>– eTPU2 is object code compatible with previous eTPU versions</li> </ul> <p>Updates to feature details:</p> <ul style="list-style-type: none"> <li>– Programming feature: eTPU2 channel flags can be tested</li> </ul> <p>Pinout/ballmap changes:</p> <p>100 pin LQFP package:</p> <ul style="list-style-type: none"> <li>– Pin 31 is now VDDEH1B (was VDDEH4A)</li> <li>– Pin 43 is now VDDEH6A (was VDDEH4B)</li> </ul> <p>144 pin LQFP package:</p> <ul style="list-style-type: none"> <li>– Pin 46 is now VDDEH1B (was VDDEH4A)</li> <li>– Pin 61 is now VDDEH6A (was VDDEH4B)</li> </ul> <p>176 pin LQFP package (1.5M devices)</p> <ul style="list-style-type: none"> <li>– Pin 55 is now VDDEH1B (was VDDEH4A)</li> <li>– Pin 74 is now VDDEH6A (was VDDEH4B)</li> </ul> <p>176 pin LQFP package (1.5M devices)</p> <ul style="list-style-type: none"> <li>– Pin 55 is now VDDEH1B (was VDDEH4A)</li> <li>– Pin 74 is now VDDEH6A (was VDDEH4B)</li> </ul> <p>208 ball BGA package (all devices)</p> <p>Ball N9 changed to NC (no connect) (was VDDEH6)</p> <p>Changes to calibration ball names on devices with 1 MB Flash memory:</p> <ul style="list-style-type: none"> <li>– CAL_MDO0 changed to ALT_MDO0</li> <li>– CAL_MDO1 changed to ALT_MDO1</li> <li>– CAL_MDO2 changed to ALT_MDO2</li> <li>– CAL_MDO3 changed to ALT_MDO3</li> <li>– CAL_MSEO0 changed to ALT_MSEO0</li> <li>– CAL_MSEO1 changed to ALT_MSEO1</li> <li>– CAL_EVTI changed to ALT_EVTI</li> <li>– CAL_EVTO changed to ALT_EVTO</li> <li>– CAL_MCKO changed to ALT_MCKO</li> </ul> <p>Power/ground segment changes:</p> <ul style="list-style-type: none"> <li>– The following pins are on VDDE7 I/O segment only on the 208-ball BGA package: ALT_MDO[0:3], ALT_MSEO[0:1], ALT_EVTI, ALT_EVTO, ALT_MCKO.</li> <li>– Power segments VDDEH4, VDDEH4A and VDDEH4B have been removed.</li> </ul> <p>CLKOUT power segment is VDDE5 (was VDDE12)</p> <p>Thermal characteristics for 176-pin LQFP updated (all parameter values)</p> <p>PMC Operating conditions and external regulators supply voltage specifications updated</p>

Table 45. Document revision history (continued)

Date	Revision	Changes
15-Apr-2010	5 (cont.)	<ul style="list-style-type: none"> <li>– (2) PMC 5 V supply voltage VDDREG min value is 4.5 V (was 4.75 V)</li> <li>PMC electrical characteristics specifications updated</li> <li>– (1d) Bandgap reference supply voltage variation is 3000 ppm/V (was 1500 ppm/V)</li> <li>– (5a) Nominal 3.3 V supply internal regulator DC output voltage variation at power-on reset min value is Vdd33-8.5% (was unspecified previously)</li> <li>– (5a) Nominal 3.3 V supply internal regulator DC output voltage variation at power-on reset max value is Vdd33+7% (was unspecified previously)</li> <li>– (9a) Variation of POR for rising 5 V VDDREG supply max value is Por5V_r + 50% (was Por5V_r + 35%)</li> <li>– (9c) Variation of POR for falling 5 V VDDREG supply max value is Por5V_f + 50% (was Por5V_f + 35%)</li> <li>– (9c) note added: Minimum loading (&lt;10 mA) for reading trim values from Flash, powering internal RC oscillator, and IO consumption during POR.</li> <li>“Core Voltage Regulator Controller External Components Preferred Configuration” circuit diagram updated</li> <li>Changes to DC Electrical Specifications: <ul style="list-style-type: none"> <li>– Footnote added to V<sub>DDE</sub>. V<sub>DDE</sub> must be less than V<sub>RC33</sub> or there is additional leakage on pins supplied by V<sub>DDE</sub>.</li> <li>– Low range SRAM standby voltage (V<sub>STBY</sub>) minimum changed to 0.95 V (was 0.9 V)</li> <li>– Low range SRAM standby voltage (V<sub>STBY</sub>) maximum changed to 1.2 V (was 1.3 V)</li> <li>– High range SRAM standby voltage (V<sub>STBY</sub>) minimum changed to 2.0 V (was 2.5 V)</li> <li>– V<sub>IL_LS</sub> max value (Hysteresis disabled) changed to 0.9 V (was 1.1 V)</li> <li>– V<sub>OH_LS</sub> min value changed to 2 V (was 2.3 V)</li> <li>– I<sub>DDSLow</sub> max value is 50 mA</li> <li>– I<sub>DDSTOP</sub> max value is 50 mA</li> <li>– I<sub>DDA</sub> max value is 30 mA (was 15.0 mA)</li> <li>– I<sub>DD4</sub> and V<sub>DDEH4</sub> removed—they no longer exist</li> </ul> </li> <li>I/O pad average I<sub>DDE</sub> specifications table updated</li> <li>I/O pad V<sub>RC33</sub> average I<sub>DDE</sub> specifications table updated</li> <li>LVDS pad specifications table updated <ul style="list-style-type: none"> <li>– V<sub>OS</sub> min value is 0.9 V (was 1.075 V)</li> <li>– V<sub>OS</sub> max value is 1.6 V (was 1.325 V)</li> </ul> </li> <li>Updates to PLLMRFM electrical specifications: <ul style="list-style-type: none"> <li>– Maximum values for XTAL load capacitance added. The maximum value varies with frequency.</li> <li>– For a 20 MHz crystal the maximum load should be 17 pF.</li> </ul> </li> <li>Temperature sensor accuracy is ±10 °C (was ±5 °C)</li> </ul>

**Table 45. Document revision history (continued)**

Date	Revision	Changes
15-Apr-2010	5 (cont.)	Updates to eQADC conversion specifications (operating): – Offset error without calibration max value is 160 (was 100) – Full scale gain error without calibration min value is –160 (was –120) Changes to Platform Flash controller electrical characteristics: – APC, RWSC, WWSC settings vs. frequency of operation table updated Changes to Flash memory specifications: – T <sub>BKPRG</sub> 64 KB specification removed (not present in this device) – T <sub>64kpperase</sub> specification added – Flash module life P/E spec for 32 Kbyte blocks also applies to 64 Kbyte blocks Pad AC specifications (3.3 V) table updated LGA208 package is no longer offered for 1024 KB (SPC563M60) devices
19-Apr-2010	6	Updated “Core voltage regulator controller external components preferred configuration” figure. – Clarification added to note: Emitter and collector capacitors (6.8 μF and 10 μF) should be matched (same type) and ESR should be lower than 200 mΩ. (Added emphasis that only 6.8 μF emitter capacitors need to be matched with collector capacitor. – 220 μF emitter capacitors changed to 220 nF.
03-Feb-2011	7	No specification or product information changes: – Mechanical outline drawings section renamed to “Packages” and restructured. – ECOPACK section added.
04-Feb-2011	8	Removed the 208 BGA package from the device-summary table. Revised the “PMC Operating conditions and external regulators supply voltage” table. Revised the “PMC electrical characteristics” table. Revised the pad AC specifications. Revised the “DC electrical specifications” table. Revised the “DSPI LVDS pad specification” table: Revised the “PLLMRFM electrical specifications” table. Change to “Temperature sensor electrical characteristics” table: – Accuracy is guaranteed by production test Revised the “eQADC conversion specifications (operating)” table. Changes to “Calibration bus operation timing” table: – CLKOUT period is guaranteed by production test. All other parameters are guaranteed by design Changes to “Program and erase specifications” table in “Flash memory electrical characteristics” section. – Deleted Bank Program (512KB) (T <sub>BKPRG</sub> ) parameter – TYP P/E values added for 32- and 64 KB blocks and for 128 KB blocks. Changes to Recommended operating characteristics for external power transistor: – VCESAT should be between 200 and 600 mV – VBE should be 0.4V to 1.0V Changes to “APC, RWSC, WWSC settings vs. frequency of operation” table in Platform Flash controller electrical characteristics section: – Target Max Frequency of 60 MHz changed to 64 MHz. Removed footnote 8 from Vddeb in Maximum ratings.

Table 45. Document revision history (continued)

Date	Revision	Changes
04-Feb-2011	8 (cont.)	<p>Deleted engineering names for pads in Power UP/DOWN Sequencing Section</p> <p>Changed "sin_c" to DSPI_C_SIN" and "sck_c" to DSPI_C_SCK" on 144 pin LQFP package.</p> <p>Updated the "Electromagnetic Interference Characteristics" table to reflect new parameter levels, test conditions.</p> <p>In the "APC, RWSC, WWSC settings vs. frequency of operation" table, changed 82 MHz entry for WWC from "11" to "01", added an extra row for "All 111 111 11"</p> <p>Replaced all of the mechanical drawings along with associated parameter tables.</p> <p>Updated the ordering information.</p> <p>In the "DC electrical specifications" table, changed R<sub>PUPDMATCH</sub> from +/- 1% to +/- 2.5%.</p>
06-Jun-2012	9	<p>In <a href="#">Section 4.6.1, Regulator example</a></p> <ul style="list-style-type: none"> <li>– Updated <a href="#">Figure 4</a> "Core voltage regulator controller external components preferred configuration" to show R<sub>C</sub>, R<sub>B</sub>, R<sub>E</sub>, C<sub>C</sub>, C<sub>B</sub>, C<sub>E</sub>, C<sub>D</sub> and C<sub>REG</sub></li> <li>– Added <a href="#">Table 16</a> "Required external PMC component values", <a href="#">Table 17</a> "Network 1 component values", <a href="#">Table 18</a> "Network 2 component values" and <a href="#">Table 19</a> "Network 3 component values".</li> </ul> <p>Updated <a href="#">Table 2</a>: Number of eMIOS channels changed from '8' to '16' for SPC563M54P.</p> <p>In <a href="#">Section 4.2, Maximum ratings, Table 9</a></p> <ul style="list-style-type: none"> <li>– V<sub>FLASH</sub> maximum value changed from 3.6V to 5.5V and changed table note3 to: "The V<sub>FLASH</sub> supply is connected to V<sub>DDEH</sub>"</li> <li>– Removed table note 4, "Allowed 5.3 V for 10 hours cumulative time, remaining time at 3.3 V +10%"</li> </ul> <p>In <a href="#">Section 4.12, eQADC electrical characteristics</a>:</p> <ul style="list-style-type: none"> <li>– Added note.</li> </ul> <p>In <a href="#">Table 30</a>, additional five parameters added (SNR, THD, SFDR, SINAD and ENOB) and added footnotes # 9,10 and 11.</p>
03-Oct-2012	10	Added RPNs SPC563M60L5P, SPC563M60L7P in the title and in <a href="#">Table 1</a>
17-Sep-2013	11	Updated Disclaimer
30-Mar-2016	12	<p>Replaced all instances of "SPC563M60L5P" with "SPC563M60L5", "SPC563M60L7P" with "SPC563M60L7", and "SPC563M60P" with "SPC563M60", respectively.</p> <p>Removed all references of LQFP100 and LBGA208 packages.</p> <p>Removed all references of "208 pin" and "208 ball"</p> <p>In <a href="#">Table 2: SPC563Mxx family device summary</a>, removed "SPC563M54P" column</p> <p>In <a href="#">Section 2.2: SPC563Mxx features</a>, removed bullet "For SPC563M54P: 12 blocks..." and "For SPC563M54P: 48 KB..."</p> <p>In <a href="#">Section 2.3.10: SRAM</a>, updated bullet from "32 KB or 24 KB block..." to "32 KB block..."</p> <p>Removed Section: "LQFP100 pinout"</p> <p>Updated title of <a href="#">Figure 2: 144-pin LQFP pinout (top view)</a></p> <p>Updated title of <a href="#">Section 3.2: LQFP176 pinout</a></p> <p>Updated title of <a href="#">Figure 3: 176-pin LQFP pinout (top view)</a></p>

**Table 45. Document revision history (continued)**

Date	Revision	Changes
30-Mar-2016	12 (cont.)	<p>Removed Section “LQFP176 pinout (SPC563M60)”</p> <p>Removed Section: “LBGA208 ballmap (SPC563M64)”</p> <p>In <a href="#">Table 4: SPC563Mx signal properties</a>:</p> <ul style="list-style-type: none"> <li>– removed “LQFP100” and “LBGA208” columns</li> <li>– removed “VDDE7” from “Voltage/Pad Type” column</li> <li>– removed row related to “CLKOUT”, “VDDE5”, and “VDDE7”</li> <li>– removed note “Not available on 1 MB version of 176-pin package”</li> </ul> <p>In <a href="#">Table 6: Signal details</a>, updated description of “CLKOUT”</p> <p>In <a href="#">Table 7: SPC563Mx Power/Ground Segmentation</a>:</p> <ul style="list-style-type: none"> <li>– removed “100-LQFP Pin Number” and “208-BGA Pin Number” columns</li> <li>– removed row related to “VDDE5”</li> <li>– removed “VDDE7” from “Power Segment” column</li> </ul> <p>Removed Table: “Thermal characteristics for 100-pin LQFP”</p> <p>Removed Table: “Thermal characteristics for 208-pin LBGA”</p> <p>In <a href="#">Table 15: PMC electrical characteristics</a>, removed not “The limits will be reviewed...”</p> <p>In <a href="#">Table 23: DC electrical specifications</a>:</p> <ul style="list-style-type: none"> <li>– removed “I<sub>DD7</sub>” from Symbol column</li> <li>– removed “V<sub>DDE7</sub>” from Conditions column</li> <li>– removed note “These specifications are design target...” and “TBD: To Be Defined.”</li> </ul> <p>In <a href="#">Table 28: PLLMRFM electrical specifications (VDDPLL = 1.14 V to 1.32 V, VSS = VSSPLL = 0 V, TA = TL to TH)</a>, removed note “All values given are initial design...”</p> <p>In <a href="#">Table 29: Temperature sensor electrical characteristics</a> change accuracy parameter from +/-10 to +/- 20</p> <p>In <a href="#">Table 31: APC, RWSC, WWSC settings vs. frequency of operation</a>, added note “Maximum Frequency includes FM modulation.”</p> <p>In <a href="#">Table 34: Pad AC specifications (5.0 V)</a>, removed note “TBD: To Be Defined.”</p> <p>Removed Section “LQFP100”</p> <p>Removed Section “LBGA208”</p> <p>Updated <a href="#">Figure 29: Commercial product code structure</a></p>

**IMPORTANT NOTICE – PLEASE READ CAREFULLY**

STMicroelectronics NV and its subsidiaries ("ST") reserve the right to make changes, corrections, enhancements, modifications, and improvements to ST products and/or to this document at any time without notice. Purchasers should obtain the latest relevant information on ST products before placing orders. ST products are sold pursuant to ST's terms and conditions of sale in place at the time of order acknowledgement.

Purchasers are solely responsible for the choice, selection, and use of ST products and ST assumes no liability for application assistance or the design of Purchasers' products.

No license, express or implied, to any intellectual property right is granted by ST herein.

Resale of ST products with provisions different from the information set forth herein shall void any warranty granted by ST for such product.

ST and the ST logo are trademarks of ST. All other product or service names are the property of their respective owners.

Information in this document supersedes and replaces information previously supplied in any prior versions of this document.

© 2016 STMicroelectronics – All rights reserved





Компания «ЭлектроПласт» предлагает заключение долгосрочных отношений при поставках импортных электронных компонентов на взаимовыгодных условиях!

Наши преимущества:

- Оперативные поставки широкого спектра электронных компонентов отечественного и импортного производства напрямую от производителей и с крупнейших мировых складов;
- Поставка более 17-ти миллионов наименований электронных компонентов;
- Поставка сложных, дефицитных, либо снятых с производства позиций;
- Оперативные сроки поставки под заказ (от 5 рабочих дней);
- Экспресс доставка в любую точку России;
- Техническая поддержка проекта, помощь в подборе аналогов, поставка прототипов;
- Система менеджмента качества сертифицирована по Международному стандарту ISO 9001;
- Лицензия ФСБ на осуществление работ с использованием сведений, составляющих государственную тайну;
- Поставка специализированных компонентов (Xilinx, Altera, Analog Devices, Intersil, Interpoint, Microsemi, Aeroflex, Peregrine, Syfer, Eurofarad, Texas Instrument, Miteq, Cobham, E2V, MA-COM, Hittite, Mini-Circuits, General Dynamics и др.);

Помимо этого, одним из направлений компании «ЭлектроПласт» является направление «Источники питания». Мы предлагаем Вам помощь Конструкторского отдела:

- Подбор оптимального решения, техническое обоснование при выборе компонента;
- Подбор аналогов;
- Консультации по применению компонента;
- Поставка образцов и прототипов;
- Техническая поддержка проекта;
- Защита от снятия компонента с производства.



#### Как с нами связаться

**Телефон:** 8 (812) 309 58 32 (многоканальный)

**Факс:** 8 (812) 320-02-42

**Электронная почта:** [org@eplast1.ru](mailto:org@eplast1.ru)

**Адрес:** 198099, г. Санкт-Петербург, ул. Калинина, дом 2, корпус 4, литера А.