

### General Description

The MIC5163 is a dual regulator controller designed specifically for low voltage memory termination applications such as DDR3 and GDDR3/4/5. The MIC5163 offers a simple, low cost JEDEC compliant solution for terminating high-speed, low-voltage digital buses.

The MIC5163 controls two external N-Channel MOSFETs to form two separate regulators. It operates by switching between either the high-side MOSFET or the low-side MOSFET, depending on whether the current is being sourced to the load or being sunk by the regulator.

Designed to provide a universal solution for memory termination regardless of input voltage, output voltage, or load current; the desired MIC5163 output voltage can be externally programmed by forcing the reference voltage.

The MIC5163 operates from an input voltage as low as 0.75V up to 6V, with a second bias supply input required for operation. The MIC5163 is available in a tiny MSOP-10 package with an operating junction temperature range of  $-40^{\circ}\text{C}$  to  $+125^{\circ}\text{C}$ .

Data sheets and support documentation can be found on Micrel's web site at: [www.micrel.com](http://www.micrel.com).

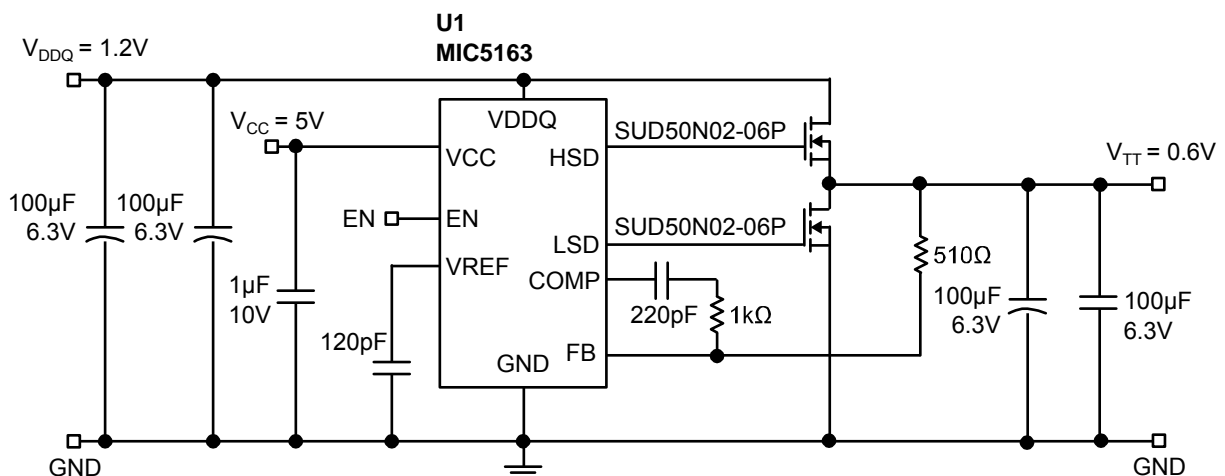
### Features

- 0.75V to 6V input supply voltage
- Memory termination for: DDR3, GDDR3/4/5
- Tracking programmable output
- Logic controlled enable input
- Wide bandwidth
- Minimal external components required
- Tiny MSOP-10 package
- $-40^{\circ}\text{C} < T_J < +125^{\circ}\text{C}$

### Applications

- Desktop Computers
- Servers
- Notebook computers
- Workstations

### Typical Application



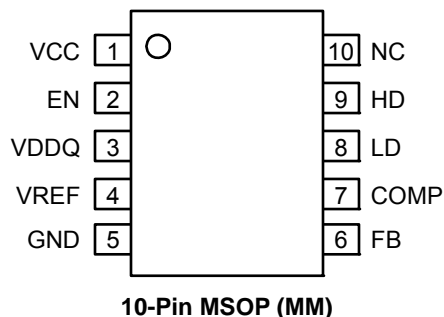
MIC5163 as a DDR3 Memory Termination Device for 3.5A application

## Ordering Information

Part Number	Temperature Range	Package	Lead Finish
MIC5163YMM	-40° to +125°C	10-Pin MSOP	Pb-Free

**Note:** MSOP is a Green RoHS compliant package. Lead finish is NiPdAu. Mold compound is halogen free.

## Pin Configuration



## Pin Description

Pin Number	Pin Name	Pin Function
1	VCC	Bias Supply (Input): Apply a voltage between +3V and +6V to this input for internal bias to the controller
2	EN	Enable (Input): CMOS compatible input. Logic high = enable, logic low = shutdown
3	VDDQ	Input Supply Voltage
4	VREF	Reference output equal to half of VDDQ
5	GND	Ground
6	FB	Feedback input to the internal error amplifier
7	COMP	Compensation (Output): Connect a capacitor to feedback pin for compensation of the internal control loop
8	LD	Low-side drive: Connects to the Gate of the external low-side MOSFET
9	HD	High-side drive: Connects to the Gate of the external high-side MOSFET
10	NC	Not internally connected

**Absolute Maximum Ratings<sup>(1)</sup>**

Supply Voltage ( $V_{CC}$ )	-0.3V to +7V
Supply Voltage ( $V_{DDQ}$ )	-0.3V to +7V
Enable Input Voltage ( $V_{EN}$ )	-0.3V to +7V
Lead Temperature (soldering, 10 sec.)	265°C
Storage Temperature ( $T_S$ )	-65°C to +150°C
EDS Rating <sup>(3)</sup>	+2kV

**Operating Ratings<sup>(2)</sup>**

Supply Voltage ( $V_{CC}$ )	+3V to +6V
Supply Voltage ( $V_{DDQ}$ )	+0.75V to +6V
Enable Input Voltage ( $V_{EN}$ )	0V to $V_{IN}$
Junction Temperature ( $T_J$ )	-40°C to +125°C
Junction Thermal Resistance	
MSOP ( $\theta_{JA}$ )	130.5°C/W
MSOP ( $\theta_{JC}$ )	42.6°C/W

**Electrical Characteristics<sup>(4)</sup>**

$V_{DDQ} = 1.35V$ ;  $T_A = 25^\circ C$ , **bold** values indicate  $-40^\circ C \leq T_J \leq +125^\circ C$ , unless noted.

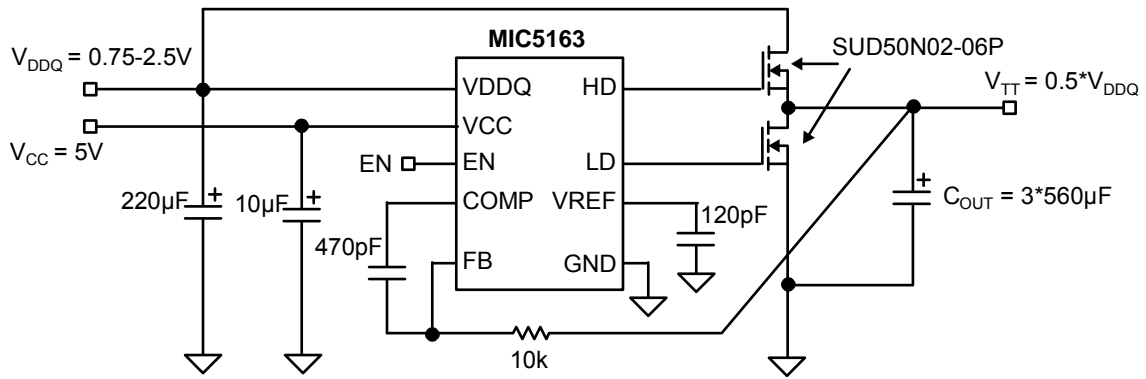
Parameter	Condition	Min	Typ	Max	Units
$V_{REF}$ Voltage Accuracy		-1%	0.5 $V_{DDQ}$	+1%	V
$V_{TT}$ Voltage Accuracy ( <b>Note 5</b> )	Sourcing; 100mA to 3A	-5 <b>-10</b>	0.4	+5 <b>+10</b>	mV mV
	Sinking; -100mA to -3A	-5 <b>-10</b>	0.4	+5 <b>+10</b>	mV mV
Supply Current ( $I_{DDQ}$ )	$V_{EN} = 1.2V$ (controller ON) No Load		35	70 <b>100</b>	$\mu A$ $\mu A$
Supply Current ( $I_{CC}$ )	No Load		10.5	20 <b>25</b>	mA mA
$I_{CC}$ Shutdown Current ( <b>Note 6</b> )	$V_{EN} = 0.2V$ (controller OFF)		45	90	nA
Start-up Time ( <b>Note 7</b> )	$V_{CC} = 5V$ external bias; $V_{EN} = V_{CC}$		8	15 <b>30</b>	$\mu s$ $\mu s$
<b>Enable Input</b>					
Enable Input Threshold	Regulator Enable	<b>1.2</b>			V
	Regulator Shutdown			<b>0.3</b>	V
Enable Hysteresis			35		mV
Enable Pin Input Current	$V_{IL} < 0.2V$ (controller shutdown)		0.011		$\mu A$
	$V_{IH} > 1.2V$ (controller enable)		5.75		$\mu A$
<b>Driver</b>					
High Side Gate Drive Voltage	High Side MOSFET Fully ON	<b>4.8</b>	4.97		V
	High Side MOSFET Fully OFF		0.03	<b>0.2</b>	V
Low Side Gate Drive Voltage	Low Side MOSFET Fully ON	<b>4.8</b>	4.97		V
	Low Side MOSFET Fully OFF		0.03	<b>0.2</b>	V

**Notes:**

- Exceeding the absolute maximum rating may damage the device.
- The device is not guaranteed to function outside its operating rating.
- Devices are ESD sensitive. Handling precautions recommended. Human body model, 1.5k $\Omega$  in series with 100pF.
- Specification for packaged product only.
- The  $V_{TT}$  voltage accuracy is measured as a delta voltage from the reference output ( $V_{TT} - V_{REF}$ ).
- Shutdown current is measured only on the  $V_{CC}$  pin. The  $V_{DDQ}$  pin will always draw a minimum amount of current when voltage is applied.

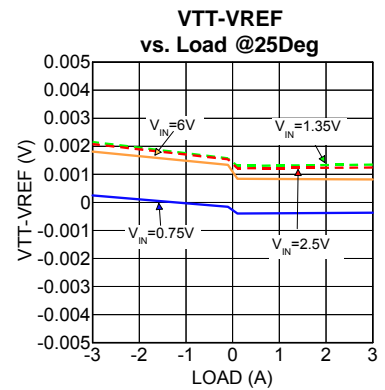
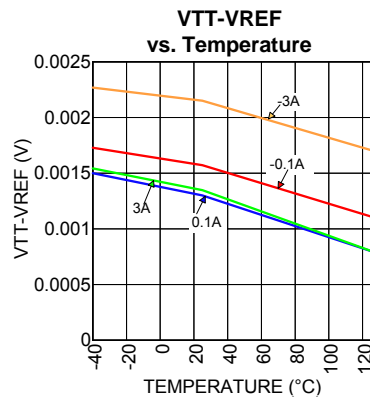
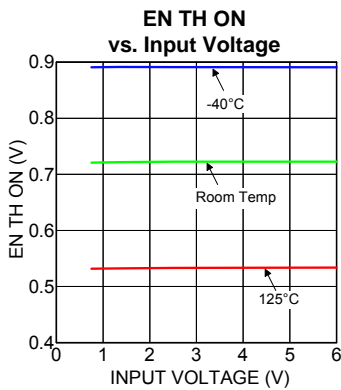
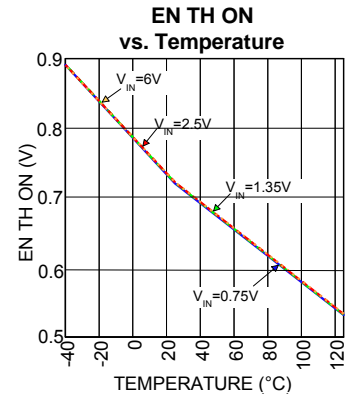
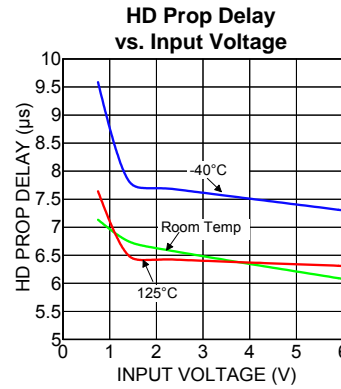
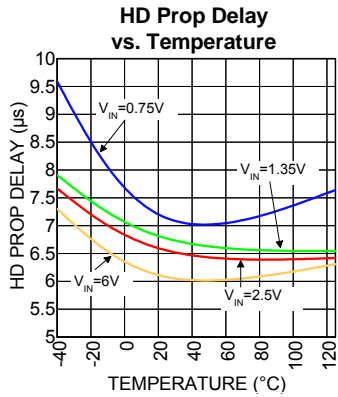
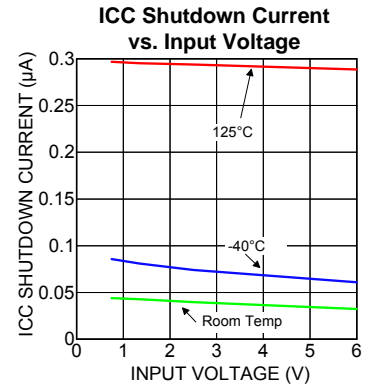
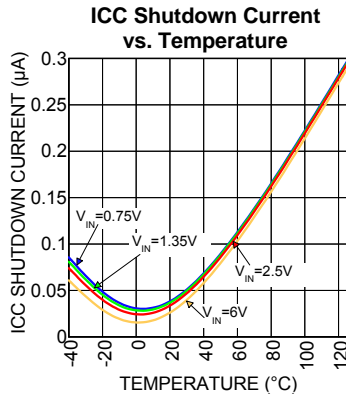
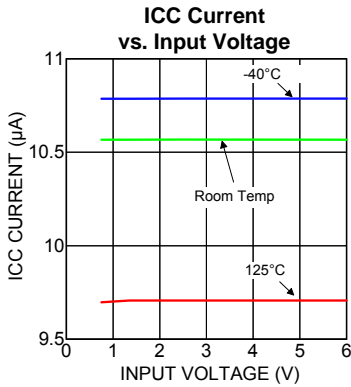
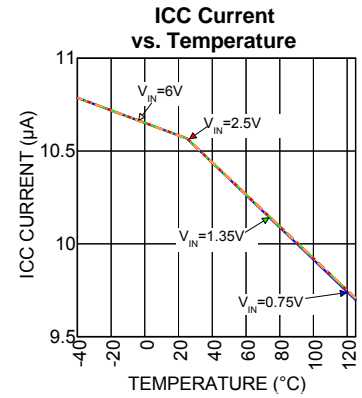
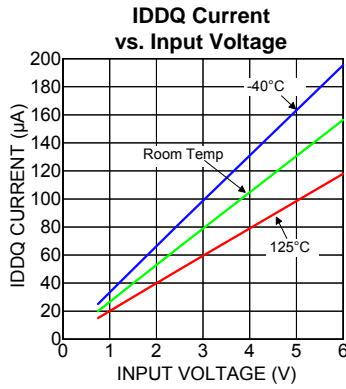
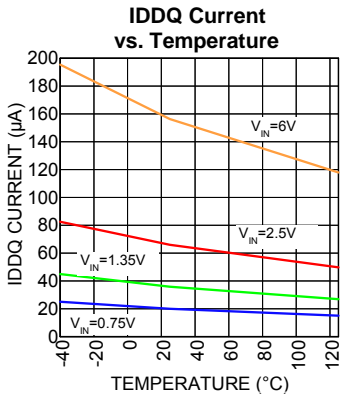
7. Start-up time is defined as the amount of time from  $EN = V_{CC}$  to  $HSD = 90\%$  of  $V_{CC}$

**Test Circuit**

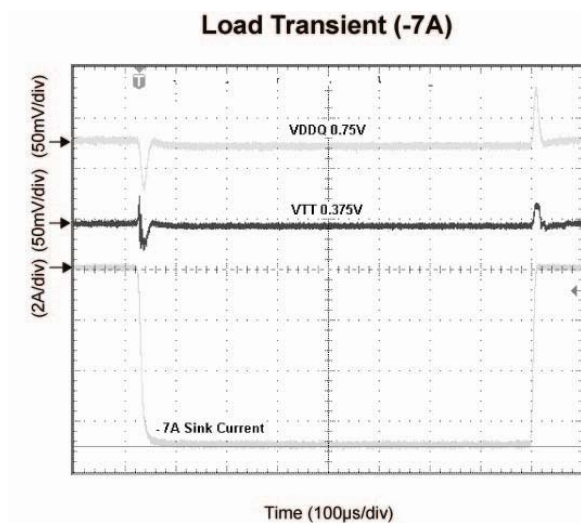
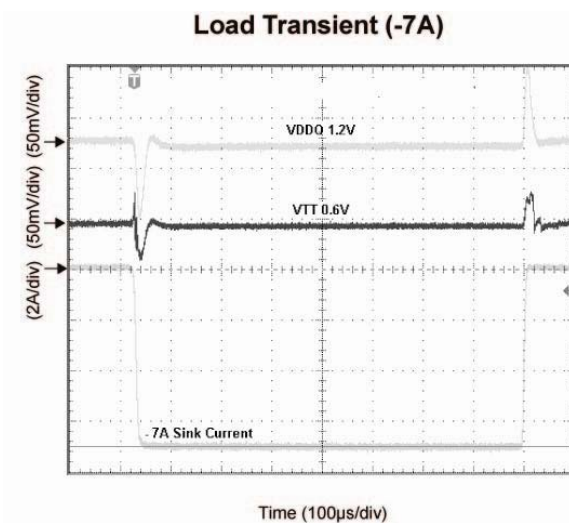
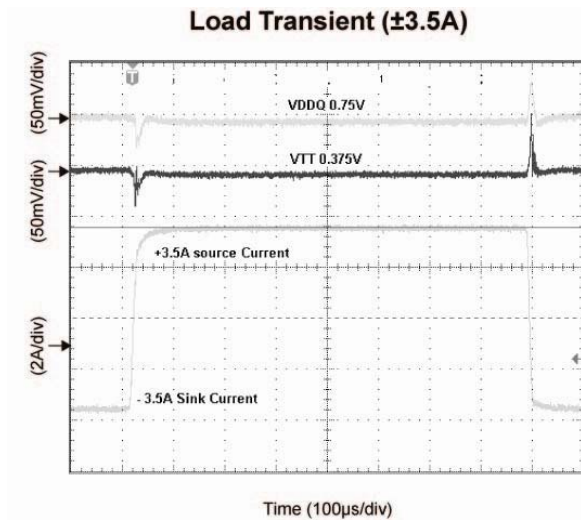
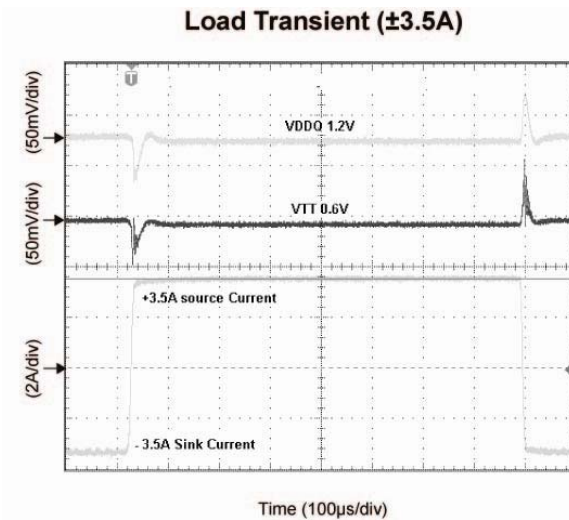
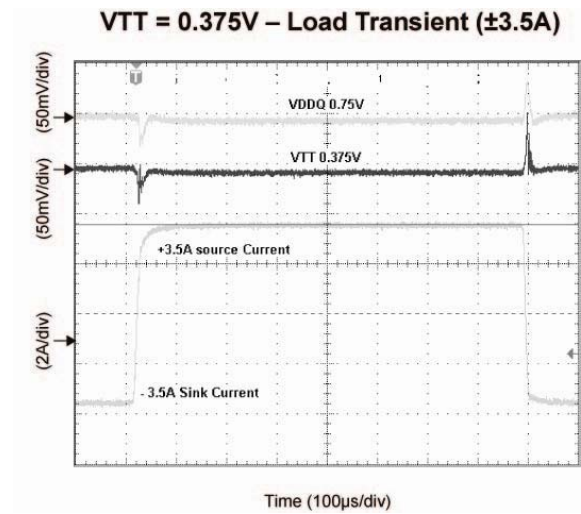
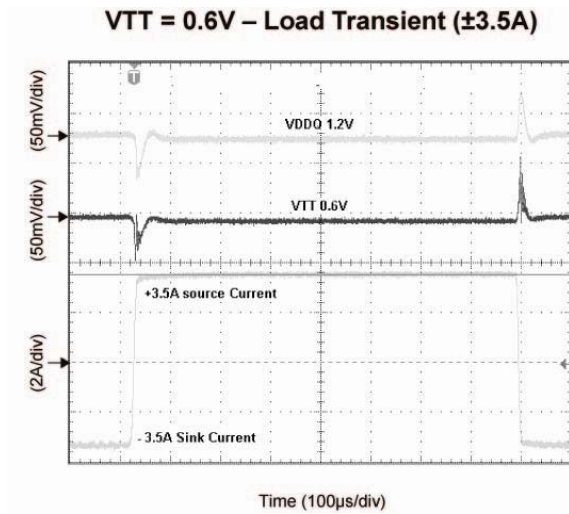


**Figure 1. Test Circuit**

# Typical Characteristics

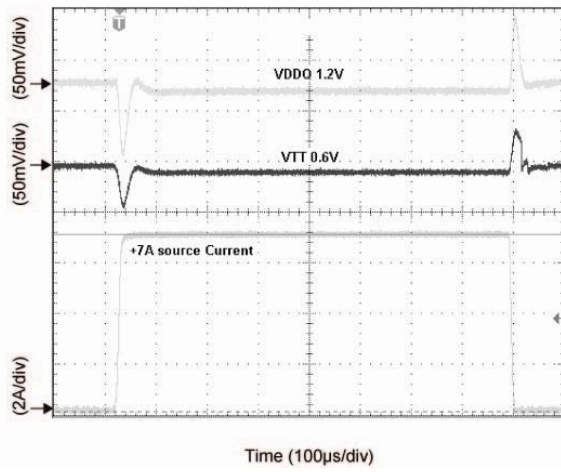


## Functional Characteristics

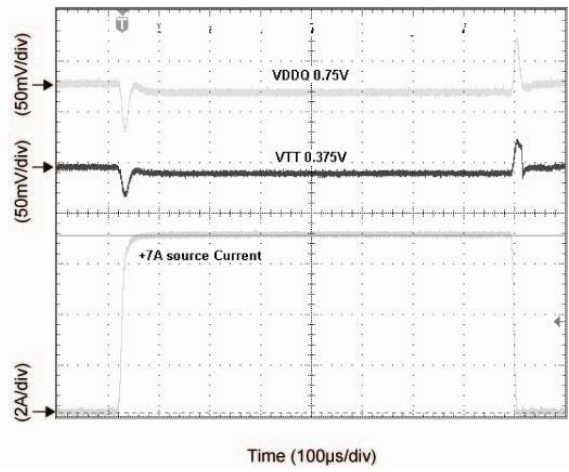


### Functional Characteristics (continued)

Load Transient (+7A)



Load Transient (+7A)



### Functional Diagram

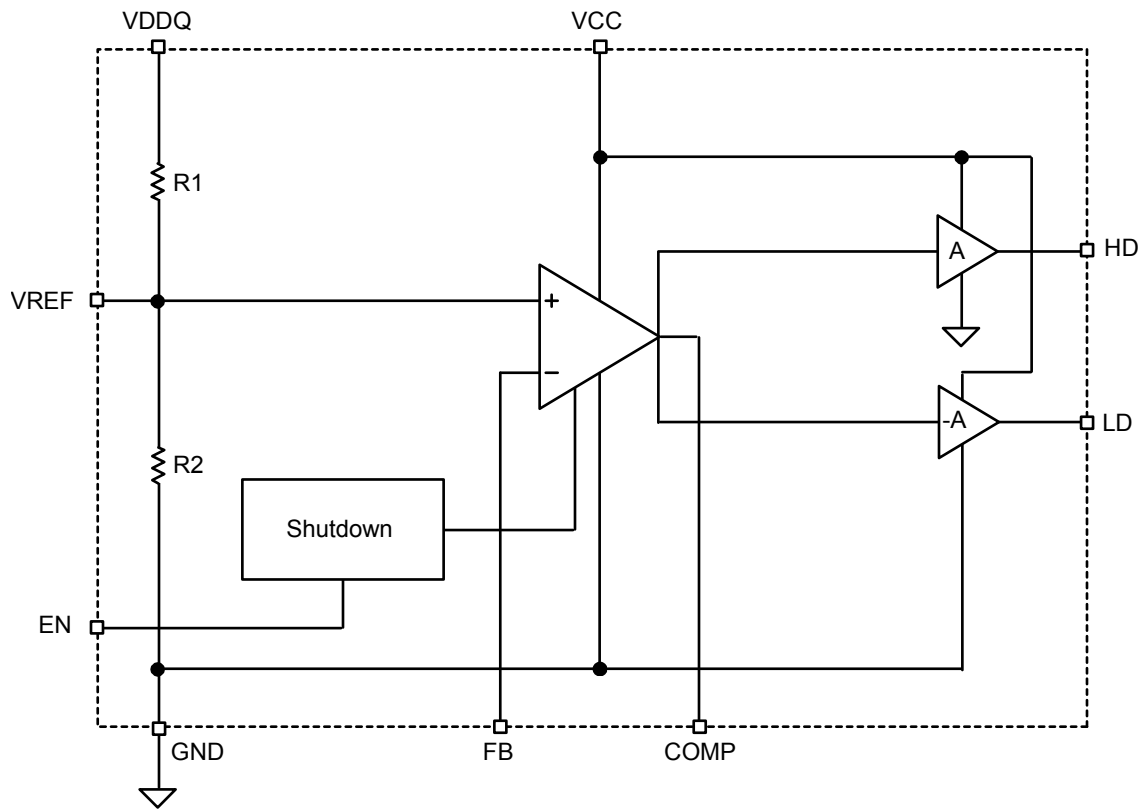


Figure 2. MIC5163 Block Diagram



## Functional Description

The MIC5163 is a high performance linear controller, utilizing scalable N-Channel MOSFETs to provide JEDEC compliant bus termination. Termination is achieved by dividing down the  $V_{DDQ}$  voltage by a half, providing the reference ( $V_{REF}$ ) voltage. The MIC5163 controls two external N-Channel MOSFETs to form two separate regulators. It operates by switching between either the high-side MOSFET or the low-side MOSFET, depending on whether the current is being sourced to the load or being sunk by the regulator.

### $V_{DDQ}$

The  $V_{DDQ}$  pin on the MIC5163 provides the source current through the high side N-Channel and the reference voltage to the device. The MIC5163 can operate at  $V_{DDQ}$  input voltages as low as 0.75V. A bypass capacitance will increase performance by improving the source impedance at higher frequencies.

### $V_{TT}$

$V_{TT}$  is the actual termination point.  $V_{TT}$  is regulated to  $V_{REF}$ . Due to high speed signaling, the load current seen by  $V_{TT}$  is constantly changing. To maintain adequate large signal transient response, Oscons and ceramics are recommended on  $V_{TT}$ . The Oscon capacitors provide bulk charge storage while the smaller ceramic capacitors provide current during the fast edges of the bus transition.

### $V_{REF}$

Two resistors dividing down the  $V_{DDQ}$  voltage provide  $V_{REF}$ . The resistors are valued at around 17k $\Omega$ . A minimum capacitor value of 120pF from  $V_{REF}$  to ground is mandatory.

### $V_{CC}$

$V_{CC}$  supplies the internal circuitry of the MIC5163 and provides the drive voltage to enhance the external N-Channel MOSFETs. A small 1 $\mu$ F capacitor is recommended for bypassing the  $V_{CC}$  pin.

### Feedback and Compensation

The feedback provides the path for the error amplifier to regulate the  $V_{TT}$ . An external resistor must be placed between the feedback and  $V_{TT}$ . Feedback resistor values should not exceed 10k $\Omega$  and compensation capacitors should not be less than 40pF.

### Enable

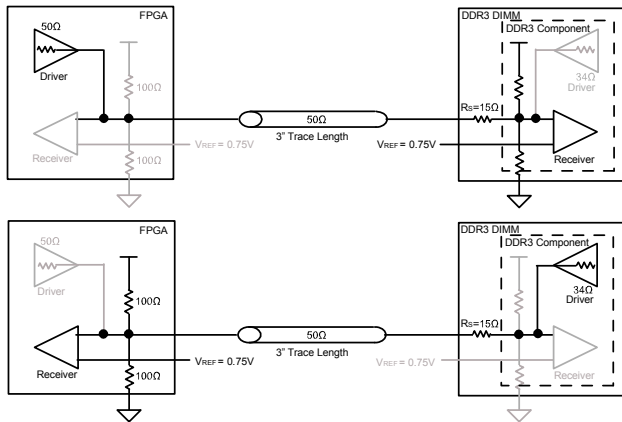
The MIC5163 features an active high enable input. In the off mode state, leakage currents are reduced to microamperes. The enable input has thresholds compatible with TTL/CMOS for simple logic interfacing. The enable pin can be tied directly to  $V_{DDQ}$  or  $V_{CC}$  for functionality.

## Application Information

Synchronous Dynamic Random Access Memory (SDRAM) has continually evolved over the years to keep up with ever-increasing computing needs. The latest addition to SDRAM technology is DDR3 SDRAM. DDR3 SDRAM is the third generation of the DDR SDRAM family and offers improved power savings, higher data bandwidth and enhanced signal quality with multiple on-die termination (ODT) selection. In DDR3 SDRAM the values of the ODT are based on the value of an external resistor. In addition to using this external resistor for setting the ODT value, it is also used for calibrating the ODT value so that it maintains its resistance value to within a 10% tolerance.

To improve signal integrity and support higher frequency operations, the JEDEC committee defined a fly-by termination scheme used with the clocks, the command bus and address bus signals. The fly-by topology reduces simultaneous switching noise (SSN) by deliberately causing flight-time skew between the data and strobes at every DRAM as the clock, address and command signals traverse the DIMM.

The DDR3 SDRAM uses a programmable impedance output buffer. Currently, there are two drive strength settings, 34Ω and 40Ω. The 40Ω drive strength setting is currently a reserved specification defined by JEDEC, but available on the DDR3 SDRAM.



**Figure 3. Dynamic OCT between Stratix III/IV FPGA Devices**

The MIC5163 is a high performance linear controller that utilizes scalable N-Channel MOSFETs to provide JEDEC compliant bus termination. Termination is achieved by dividing down the  $V_{DDQ}$  voltage by half to provide the reference ( $V_{REF}$ ) voltage. An internal error amplifier compares the termination voltage ( $V_{TT}$ ) and  $V_{REF}$ , controlling two external N-Channel MOSFETs to sink and/or source current to maintain a termination voltage ( $V_{TT}$ ) equal to  $V_{REF}$ . The N-Channels receive their enhancement voltage from a separate  $V_{CC}$  pin on the device. Although the general discussion is focused

on DDR3, the MIC5163 is also capable of providing bus terminations for DDR, DDR2 and GDDR3/4/5.

### $V_{DDQ}$

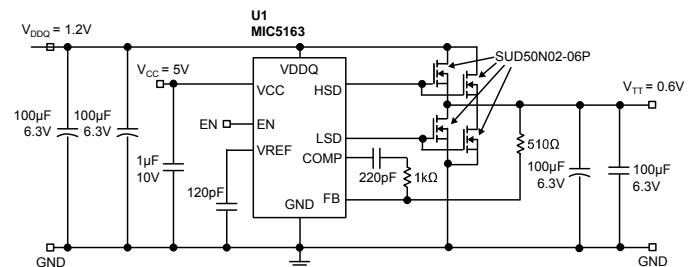
The  $V_{DDQ}$  pin on the MIC5163 provides the source current through the high side N-Channel and the reference voltage to the device. The MIC5163 can operate at  $V_{DDQ}$  voltages as low as 0.75V. Due to the possibility of large transient currents being sourced from this line, significant bypass capacitance will increase performance by improving the source impedance at higher frequencies. Since the reference is simply  $V_{DDQ}/2$ , perturbations on the  $V_{DDQ}$  will also appear at half the amplitude on the reference. For this reason, low ESR capacitors such as ceramics or Oscons are recommended on  $V_{DDQ}$ .

### $V_{TT}$

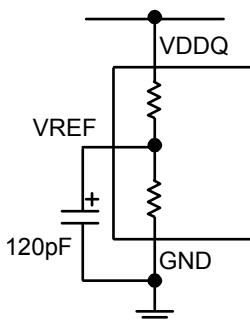
$V_{TT}$  is the actual termination point.  $V_{TT}$  is regulated to  $V_{REF}$ . Due to high speed signaling, the load current seen by  $V_{TT}$  is constantly changing. To maintain adequate large signal transient response, Oscons and ceramics are recommended on  $V_{TT}$ . The proper combination and placement of the Oscon and ceramic capacitors is important to reduce both ESR and ESL such that high-current high-speed transients do not exceed the dynamic voltage tolerance requirement of  $V_{TT}$ . The Oscon capacitors provide bulk charge storage while the smaller ceramic capacitors provide current during the fast edges of the bus transition. Using several smaller ceramic capacitors distributed near the termination resistors is typically important to reduce the effects of PCB trace inductance.

### $V_{REF}$

Two resistors dividing down the  $V_{DDQ}$  voltage provide  $V_{REF}$  (Figure 5). The resistors are valued at around 17kΩ. A minimum capacitor value of 120pF from  $V_{REF}$  to ground is required to remove high frequency signals reflected from the source. Large capacitance values (>1500pF) should be avoided. Values greater than 1500pF slow down  $V_{REF}$  and detract from the reference voltage's ability to track  $V_{DDQ}$  during high speed load transients.



**Figure 4. MIC5163 as a DDR3 Memory Termination Device for 7A Application**



**Figure 5.  $V_{DDQ}$  Divided Down to Provide  $V_{REF}$**

$V_{REF}$  can also be manipulated for different applications. A separate voltage source can be used to externally set the reference point, bypassing the divider network. Also, external resistors can be added from  $V_{REF}$ -to-ground or  $V_{REF}$ -to- $V_{DDQ}$  to shift the reference point up or down.

### $V_{CC}$

$V_{CC}$  supplies the internal circuitry of the MIC5163 and provides the drive voltage to enhance the external N-Channel MOSFETs. A small  $1\mu\text{F}$  capacitor is recommended for bypassing the  $V_{CC}$  pin. The minimum  $V_{CC}$  voltage should be a gate-source voltage above  $V_{TT}$  without exceeding 6V. For example, on an DDR3 compliant terminator,  $V_{DDQ}$  equals 1.5V and  $V_{TT}$  equals 0.75V. If the N-Channel MOSFET selected requires a gate source voltage of 2.5V,  $V_{CC}$  should be a minimum of 3.25V

### Feedback and Compensation

The feedback provides the path for the error amplifier to regulate  $V_{TT}$ . An external resistor must be placed between the feedback and  $V_{TT}$ . This allows the error amplifier to be correctly externally compensated. For most applications, a  $510\Omega$  resistor is recommended. The COMP pin on the MIC5163 is the output of the internal error amplifier. By placing a capacitor and resistor between the COMP pin and the feedback pin, this coupled with the feedback resistor, places an external pole and zero on the error amplifier. With a  $510\Omega$  feedback resistor, a minimum  $220\text{pF}$  capacitor is recommended for a 3.5A peak termination circuit. An increase in the load will require additional N-Channel MOSFETs and/or increase in output capacitance may require feedback and/or compensation capacitor values to be changed to maintain stability. Feedback resistor values should not exceed  $10\text{k}\Omega$  and compensation capacitors should not be less than  $40\text{pF}$ .

### Enable

The MIC5163 features an active high enable input. In the off mode state, leakage currents are reduced to microamperes. The enable input has thresholds

compatible with TTL/CMOS for simple logic interfacing. The enable pin can be tied directly to  $V_{DDQ}$  or  $V_{CC}$  for functionality. Do not float the enable pin. Floating this pin causes the enable to be in an indeterminate state.

### Input Capacitance

Although the MIC5163 does not require an input capacitor for stability, using one greatly improves device performance. Due to the high-speed nature of the MIC5163, low ESR capacitors such as Oscon and ceramics are recommended for bypassing the input. The recommended value of capacitance will depend greatly on the proximity to the bulk capacitance. Although a  $10\mu\text{F}$  ceramic capacitor will suffice for most applications, input capacitance may need to be increased in cases where the termination circuit is greater than 1-inch away from the bulk capacitance.

### Output Capacitance

Large, low ESR capacitors are recommended for the output ( $V_{TT}$ ) of the MIC5163. Although low ESR capacitors are not required for stability, they are recommended to reduce the effects of high-speed current transients on  $V_{TT}$ . The change in voltage during the transient condition will be the effect of the peak current multiplied by the output capacitor's ESR. For that reason, Oscon type capacitors and ceramic are excellent choices for this application. Oscon capacitors have extremely low ESR and a large capacitance-to-size ratio. Ceramic capacitors are also well suited to termination due to their low ESR. These capacitors should have a dielectric rating of X5R or X7R. Y5V and Z5U type capacitors are not recommended, due to their poor performance at high frequencies and over temperature. The minimum recommended capacitance for a 3.5A peak circuit is  $100\mu\text{F}$ . Output capacitance can be increased to achieve greater transient performance.

### MOSFET Selection

The MIC5163 utilizes external N-Channel MOSFETs to sink and source current. MOSFET selection will settle to two main categories: size and gate threshold ( $V_{GS}$ ).

### MOSFET Power Requirements

One of the most important factors is to determine the amount of power the MOSFET is going to be required to dissipate. Power dissipation in a DDR3 circuit will be identical for both the high side and low side MOSFETs. Since the supply voltage is divided by half to supply  $V_{TT}$ , both MOSFETs have the same voltage dropped across them. They are also required to be able to sink and source the same amount of current (for either all 0s or all 1s). This equates to each side being able to dissipate the same amount of power. Power dissipation calculation for the high-side MOSFET is as follows:

$$P_D = (V_{DDQ} - V_{TT}) \times I_{SOURCE}$$

Where  $I_{source}$  is the average source current. Power dissipation for the low-side MOSFET is as follows:

$$P_D = V_{TT} \times I_{SINK}$$

Where  $I_{sink}$  is the average sink current.

In a typical 3.5A peak DDR3 circuit, power considerations for MOSFET selection would occur as follows.

$$P_D = (V_{DDQ} - V_{TT}) \times I_{SOURCE}$$

$$P_D = (1.5V - 0.75V) \times 1.75A$$

$$P_D = 1.3125 W$$

This typical DDR3 application would require both high-side and low-side N-Channel MOSFETs to be able to handle 1.3125 Watts each. In applications where there is excessive power dissipation, multiple N-Channel MOSFETs may be placed in parallel. These MOSFETs will share current, distributing power dissipation across each device.

The maximum MOSFET die (junction) temperature limits maximum power dissipation. The ability of the device to dissipate heat away from the junction is specified by the junction-to-ambient ( $\theta_{JA}$ ) thermal resistance. This is the sum of junction-to-case ( $\theta_{JC}$ ) thermal resistance, case-to-sink ( $\theta_{CS}$ ) thermal resistance and sink-to-ambient ( $\theta_{SA}$ ) thermal resistance;

$$\theta_{JA} = \theta_{JC} + \theta_{CS} + \theta_{SA}$$

In our example of a 3.5A peak DDR3 termination circuit, we have selected a D-pack N-Channel MOSFET that has a maximum junction temperature of 150°C. The device has a junction-to-case thermal resistance of 1.5°C/W. Our application has a maximum ambient temperature of 60°C. The required junction-to-ambient thermal resistance can be calculated as follows:

$$\theta_{JA} = \frac{T_J - T_A}{P_D}$$

Where  $T_J$  is the maximum junction temperature,  $T_A$  is the maximum ambient temperature and  $P_D$  is the power dissipation.

In our example:

$$\theta_{JA} = \frac{T_J - T_A}{P_D}$$

$$\theta_{JA} = \frac{150^\circ\text{C} - 60^\circ\text{C}}{1.3125W}$$

$$\theta_{JA} = 68.57 \frac{^\circ\text{C}}{W}$$

This shows that our total thermal resistance must be better than 68.57°C/W. Since the total thermal resistance is a combination of all the individual thermal resistances, the amount of heat sink required can be calculated as follows:

$$\theta_{SA} = \theta_{JA} - (\theta_{JC} + \theta_{CS})$$

In our example:

$$\theta_{SA} = \theta_{JA} - (\theta_{JC} + \theta_{CS})$$

$$\theta_{SA} = 68.57 \frac{^\circ\text{C}}{W} - \left( 1.5 \frac{^\circ\text{C}}{W} + 0.5 \frac{^\circ\text{C}}{W} \right)$$

$$\theta_{SA} = 66.57 \frac{^\circ\text{C}}{W}$$

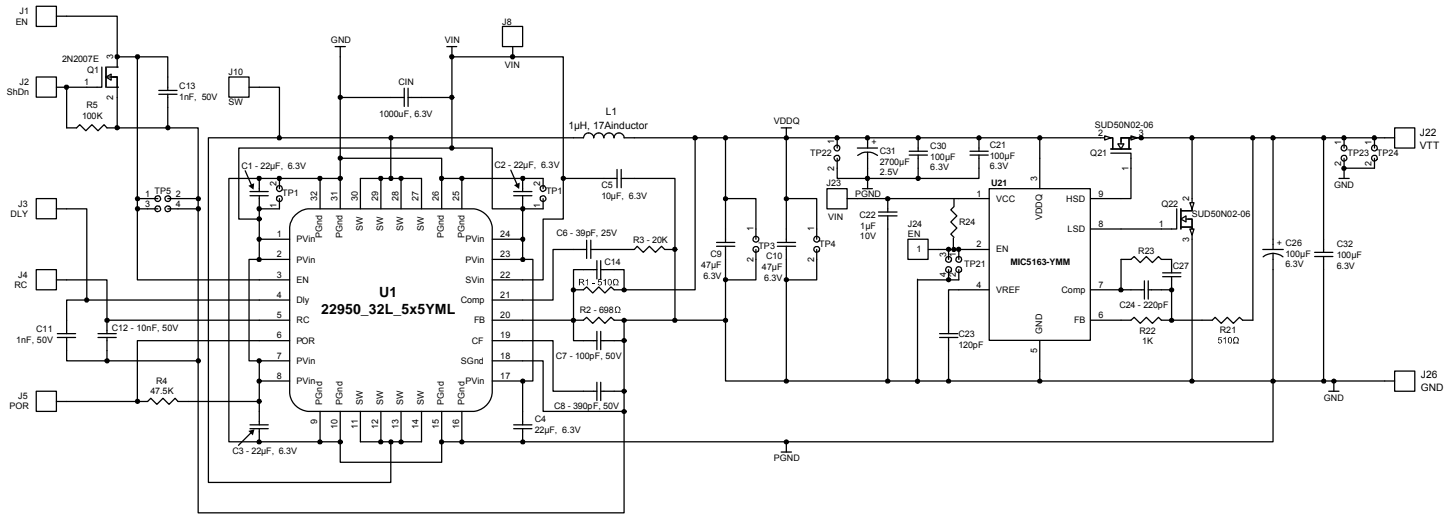
In most cases, case-to-sink thermal resistance can be assumed to be about 0.5°C/W.

The DDR3 termination circuit for our example, using 2 D-pack N-Channel MOSFETs (one high side and one on the low side) will require at least a 43°C/W heat sink per MOSFET. This may be accomplished with an external heat sink or even just the copper area that the MOSFET is soldered to. In some cases, airflow may also be required to reduce thermal resistance.

### MOSFET Gate Threshold

N-Channel MOSFETs require an enhancement voltage greater than its source voltage. Typical N-Channel MOSFETs have a gate-source threshold ( $V_{GS}$ ) of 1.8V and higher. Since the source of the high side N-Channel is connected to  $V_{TT}$ , the MIC5163  $V_{CC}$  pin requires a voltage equal to or greater than the  $V_{GS}$  voltage. For example, our DDR3 termination circuit has a  $V_{TT}$  voltage of 0.75V. For an N-Channel that has a  $V_{GS}$  rating of 2.5V, the  $V_{CC}$  voltage can be as low as 3.25V. With an N-Channel that has a 4.5V  $V_{GS}$ , the minimum  $V_{CC}$  required is 5.25V. Although these N-Channels are driven below their full enhancement threshold, it is recommended that the  $V_{CC}$  voltage has enough margin to be able to fully enhance the MOSFETs for large signal transient response. In addition, low gate thresholds MOSFETs are recommended to reduce the  $V_{CC}$  requirements.

## Design Example



MIC5163 As a DDR3 Memory Termination Device for 3.5A Application

## Bill of Materials

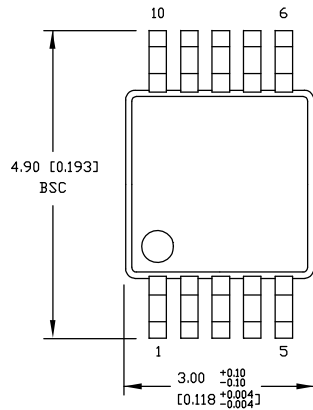
Item	Part Number	Manufacturer	Description	Qty.
C1, C2, C3, C4	GRM21BR60J226ME39L	Murata <sup>(1)</sup>	22µF, 6.3V, X5R, 0805	4
	C2012X5R0J226K	TDK <sup>(2)</sup>		or
	08056D226MAT2A	AVX <sup>(3)</sup>		or
C5	GRM188R60J106ME47D	Murata <sup>(1)</sup>	10 µF, 6.3V, X5R, 0603	1
	C1608X5R0J106K	TDK <sup>(2)</sup>		or
	06036D106MAT2A	AVX <sup>(3)</sup>		or
C6	VJ0603Y390KXXMB	Vishay Vitramon <sup>(4)</sup>	39pF, 25V, X7R, 0603	1
	C1608C0G1H390J	TDK <sup>(2)</sup>		or
C7	VJ0603Y101KXAAT	Vishay Vitramon <sup>(4)</sup>	100pF, 50V, 0603 ceramic cap	1
C8	VJ0603Y391KXAAT	Vishay Vitramon <sup>(4)</sup>	390pF, 50V, 0603 ceramic cap	1
C9, C10	GRM31CR60J476ME19L	Murata <sup>(1)</sup>	47 µF, 6.3V, 1206	2
	C3216X5R0J476M	TDK <sup>(2)</sup>		or
	12066D476MAT2A	AVX <sup>(3)</sup>		or
C11, C13	VJ0603Y102KXXMB	Vishay Vitramon <sup>(4)</sup>	1nf, 50V, 0603 ceramic cap	2
C12	VJ0603Y103KXXMB	Vishay Vitramon <sup>(4)</sup>	10nf, 50V, 0603 ceramic cap	1
C22	0603ZD105KAT2A	AVX <sup>(3)</sup>	1µF, 10V 0603 ceramic cap	1
	GRM188R61A105K	Murata <sup>(1)</sup>		or
C23	VJ0603A121KXXAT	Vishay <sup>(4)</sup>	120pF, 25V, 0603 ceramic cap	1
	06033A121JAT2A	AVX <sup>(3)</sup>		or
C24	VJ0603A221KXXAT	Vishay <sup>(4)</sup>	220pF, 25V, 0603 ceramic cap	1
	06033C221JAT2A	AVX <sup>(3)</sup>		or
C26	NOSD107M006R0080	AVX <sup>(3)</sup>	100µF, 6.3V, 7374 Tent	1
C27			N.U. 0603 ceramic cap	

Item	Part Number	Manufacturer	Description	Qty.
C30, C32, C21	18126D107MAT	AVX <sup>(3)</sup>	100 $\mu$ F, 6.3V, 1812 ceramic cap	3
C31	2SEPC2700M	Sanyo <sup>(5)</sup>	2700 $\mu$ F, 2.5V Oscon Cap	1
CIN	597D108X06R3R2T	Vishay <sup>(4)</sup>	1000 $\mu$ F, 6.3V, R-case	1
L1	CEP125HNP-1R0-MC	Sumida <sup>(6)</sup>	1 $\mu$ H, 17A inductor	1
Q1	2N7002E(SOT-23)	Vishay <sup>(4)</sup>	Signal MOSFET-SOT-236	1
Q21, Q22	SUD50N02-06P	Vishay <sup>(4)</sup>	Low VGS(th) N-Channel 20-V (D-S)	2
R1	CRCW06031101FRT1	Vishay Dale <sup>(4)</sup>	510 $\Omega$ (0603 size), 1%	1
R2	CRCW06036980FRT1	Vishay Dale <sup>(4)</sup>	698 $\Omega$ (0603 size), 1%	1
R3	CRCW06032002FRT1	Vishay Dale <sup>(4)</sup>	20K, (0603 size), 1%	1
R4	CRCW06034752FRT1	Vishay Dale <sup>(4)</sup>	47.5K, (0603 size), 1%	1
R5	CRCW06031003FRT1	Vishay Dale <sup>(4)</sup>	100K (0603 size), 1%	1
R21	CRCW0805510RFKTA	Vishay Dale <sup>(4)</sup>	510 $\Omega$ (0805 size), 1%	1
R22, R24	CRCW06031K00FKTA	Vishay Dale <sup>(4)</sup>	1K (0603 size), 1%	1
R23			NU 0603	
U1	MIC22950YML	Micrel <sup>(7)</sup>	Buck Regulator	1
U21	MIC5163YMM	Micrel <sup>(7)</sup>	Dual Regulator Controller for DDR3	1

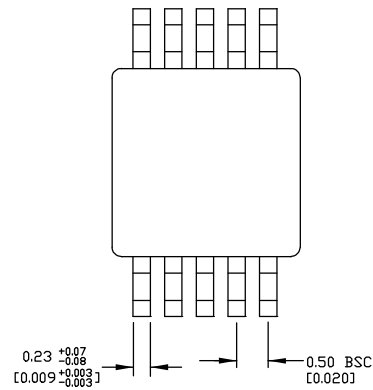
**Notes:**

1. Murata: [www.murata.com](http://www.murata.com).
2. TDK: [www.tdk.com](http://www.tdk.com).
3. AVX: [www.avx.com](http://www.avx.com).
4. Vishay: [www.vishay.com](http://www.vishay.com).
5. Sanyo: [www.sanyo.com](http://www.sanyo.com)
6. Sumida: [www.sumida.com](http://www.sumida.com)
7. **Micrel, Inc.:** [www.micrel.com](http://www.micrel.com).

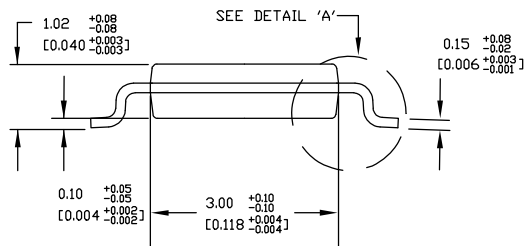
# Package Information



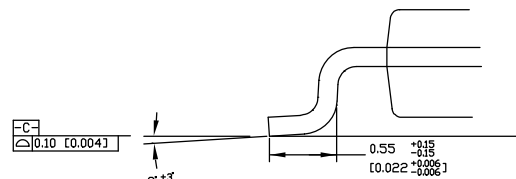
TOP VIEW



BOTTOM VIEW



SIDE VIEW



DETAIL A

**NOTES:**

1. DIMENSIONS ARE IN MM [INCHES].
2. CONTROLLING DIMENSION: MM
3. DIMENSION DOES NOT INCLUDE MOLD FLASH OR PROTRUSIONS, EITHER OF WHICH SHALL NOT EXCEED 0.20 [0.008] PER SIDE.

**10-Pin MSOP (MM)**

**MICREL, INC. 2180 FORTUNE DRIVE SAN JOSE, CA 95131 USA**  
 TEL +1 (408) 944-0800 FAX +1 (408) 474-1000 WEB <http://www.micrel.com>

The information furnished by Micrel in this data sheet is believed to be accurate and reliable. However, no responsibility is assumed by Micrel for its use. Micrel reserves the right to change circuitry and specifications at any time without notification to the customer.

Micrel Products are not designed or authorized for use as components in life support appliances, devices or systems where malfunction of a product can reasonably be expected to result in personal injury. Life support devices or systems are devices or systems that (a) are intended for surgical implant into the body or (b) support or sustain life, and whose failure to perform can be reasonably expected to result in a significant injury to the user. A Purchaser's use or sale of Micrel Products for use in life support appliances, devices or systems is a Purchaser's own risk and Purchaser agrees to fully indemnify Micrel for any damages resulting from such use or sale.

© 2009 Micrel, Incorporated.



Компания «ЭлектроПласт» предлагает заключение долгосрочных отношений при поставках импортных электронных компонентов на взаимовыгодных условиях!

Наши преимущества:

- Оперативные поставки широкого спектра электронных компонентов отечественного и импортного производства напрямую от производителей и с крупнейших мировых складов;
- Поставка более 17-ти миллионов наименований электронных компонентов;
- Поставка сложных, дефицитных, либо снятых с производства позиций;
- Оперативные сроки поставки под заказ (от 5 рабочих дней);
- Экспресс доставка в любую точку России;
- Техническая поддержка проекта, помощь в подборе аналогов, поставка прототипов;
- Система менеджмента качества сертифицирована по Международному стандарту ISO 9001;
- Лицензия ФСБ на осуществление работ с использованием сведений, составляющих государственную тайну;
- Поставка специализированных компонентов (Xilinx, Altera, Analog Devices, Intersil, Interpoint, Microsemi, Aeroflex, Peregrine, Syfer, Eurofarad, Texas Instrument, Miteq, Cobham, E2V, MA-COM, Hittite, Mini-Circuits, General Dynamics и др.);

Помимо этого, одним из направлений компании «ЭлектроПласт» является направление «Источники питания». Мы предлагаем Вам помощь Конструкторского отдела:

- Подбор оптимального решения, техническое обоснование при выборе компонента;
- Подбор аналогов;
- Консультации по применению компонента;
- Поставка образцов и прототипов;
- Техническая поддержка проекта;
- Защита от снятия компонента с производства.



#### Как с нами связаться

**Телефон:** 8 (812) 309 58 32 (многоканальный)

**Факс:** 8 (812) 320-02-42

**Электронная почта:** [org@eplast1.ru](mailto:org@eplast1.ru)

**Адрес:** 198099, г. Санкт-Петербург, ул. Калинина, дом 2, корпус 4, литера А.