

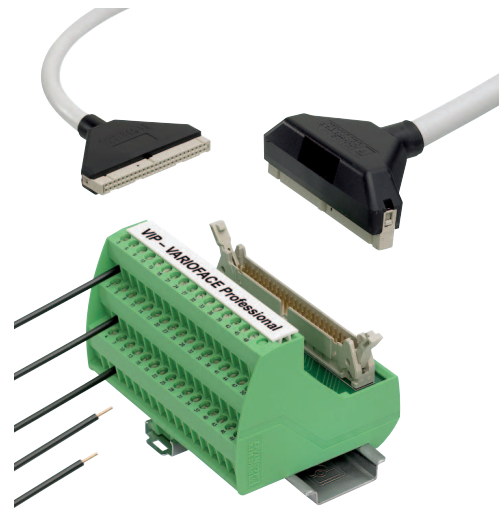
VIP-CAB-FLK.../0,14/...M

VIP - VARIOFACE Professional System cables with molded FLK connector

INTERFACE

Data sheet
103490_en_00

© PHOENIX CONTACT - 03/2008



1 Description

Sensors and actuators have a single-wire connection. Using the new molded system cables, field signals are connected safely to the control level. The encapsulation of the connectors ensures a high level of mechanical protection and professional strain relief. For clear identification, individual serial numbers are printed on both ends of the cable.

Color code of VIP-CAB_FLK.../0,14/...M system cables

Number of conductors	PIN	Conductor color
	1	Black
	2	Brown
	3	Red
	4	Orange
	5	Yellow
	6	Green
	7	Blue
	8	Violet
	9	Gray
10-pos.	10	White
	11	White-black
	12	White-brown
	13	White-red
14-pos.	14	White-orange
	15	White-yellow
16-pos.	16	White-green

Number of conductors	PIN	Conductor color
	17	White-blue
	18	White-violet
	19	White-gray
20-pos.	20	Brown-black
	21	Brown-red
	22	Brown-orange
	23	Brown-yellow
	24	Brown-green
	25	Brown-blue
26-pos.	26	Brown-violet
	27	Brown-gray
	28	Brown-white
	29	Green-black
	30	Green-brown
	31	Green-red
	32	Green-orange
	33	Green-blue
34-pos.	34	Green-violet
	35	Green-gray
	36	Green-white
	37	Yellow-black
	38	Yellow-brown
	39	Yellow-red
40-pos.	40	Yellow-orange
	41	Yellow-blue
	42	Yellow-violet
	43	Yellow-gray
	44	Yellow-white
	45	Gray-black
	46	Gray-brown
	47	Gray-red
	48	Gray-orange
	49	Gray-yellow
50-pos.	50	Gray-green



Make sure you always use the latest documentation.
It can be downloaded at www.download.phoenixcontact.com.
A conversion table is available on the Internet at
www.download.phoenixcontact.com/general/7000_en_00.pdf.



This data sheet is valid for all products listed on the following pages:

1.1 Features

- 1:1 connection
- 10 to 50-pos.
- Connectors according to IEC 60603-13
- Available in any choice of length

Note:

Due to the enlarged outer contour of the molded connectors, module types with UM45 profile cannot be connected in combination with three-level terminal blocks using the VIP-CAB-FLK... system cable.

The following module types (10 to 50-pos.) can be connected.

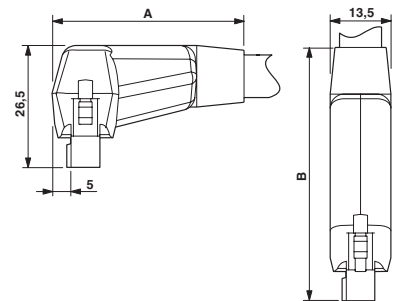
For example, for 20 positions:

- VIP-2/SC/FLK 20
- FLK 20
- FLKM 20
- FLKM 20/ZFKDS
- FLKM 20/LA
- FLKMS 20
- UM45-FLK 20 (double-level connection)
- UM45-FLK 20/ZFKDS (double-level connection)

VIP-CAB-FLK... system cables are not suitable for front adapters (see dimensional drawing).



	A	B
...FLK10...	34	46
...FLK14...	37	49
...FLK16...	37	49
...FLK20...	39	51
...FLK26...	39	51
...FLK34...	40	52
...FLK40...	40	52
...FLK50...	42	55



2 Ordering data

Description	Number of positions	Cable length	Type	Order No.	Pcs./ Pkt.
Round cable , with 2 molded socket strips	10	0.5 m	VIP-CAB-FLK10/0,14/0,5M	2318305	1
	10	1.0 m	VIP-CAB-FLK10/0,14/1,0M	2318318	1
	10	1.5 m	VIP-CAB-FLK10/0,14/1,5M	2318321	1
	10	2.0 m	VIP-CAB-FLK10/0,14/2,0M	2318334	1
	10	3.0 m	VIP-CAB-FLK10/0,14/3,0M	2318347	1
	10	4.0 m	VIP-CAB-FLK10/0,14/4,0M	2318350	1
	10	6.0 m	VIP-CAB-FLK10/0,14/6,0M	2318363	1
Round cable , same as above, however, in variable lengths (minimum order 5 pieces)	10		VIP-CAB-FLK10/0,14/...	2318376	1
Round cable , with 2 molded socket strips	14	0.5 m	VIP-CAB-FLK14/0,14/0,5M	2318389	1
	14	1.0 m	VIP-CAB-FLK14/0,14/1,0M	2318392	1
	14	1.5 m	VIP-CAB-FLK14/0,14/1,5M	2318402	1
	14	2.0 m	VIP-CAB-FLK14/0,14/2,0M	2318415	1
	14	3.0 m	VIP-CAB-FLK14/0,14/3,0M	2318428	1
	14	4.0 m	VIP-CAB-FLK14/0,14/4,0M	2318431	1
	14	6.0 m	VIP-CAB-FLK14/0,14/6,0M	2318444	1
Round cable , same as above, however, in variable lengths (minimum order 5 pieces)	14		VIP-CAB-FLK14/0,14/...	2318457	1

Description	Number of positions	Cable length	Type	Order No.	Pcs./ Pkt.
Round cable, with 2 molded socket strips	16	0.5 m	VIP-CAB-FLK16/0,14/0,5M	2318460	1
	16	1.0 m	VIP-CAB-FLK16/0,14/1,0M	2318473	1
	16	1.5 m	VIP-CAB-FLK16/0,14/1,5M	2318486	1
	16	2.0 m	VIP-CAB-FLK16/0,14/2,0M	2318499	1
	16	3.0 m	VIP-CAB-FLK16/0,14/3,0M	2318509	1
	16	4.0 m	VIP-CAB-FLK16/0,14/4,0M	2318512	1
	16	6.0 m	VIP-CAB-FLK16/0,14/6,0M	2318525	1
Round cable, same as above, however, in variable lengths (minimum order 5 pieces)	16		VIP-CAB-FLK16/0,14/...	2318538	1
Round cable, with 2 molded socket strips	20	0.5 m	VIP-CAB-FLK20/0,14/0,5M	2318541	1
	20	1.0 m	VIP-CAB-FLK20/0,14/1,0M	2318554	1
	20	1.5 m	VIP-CAB-FLK20/0,14/1,5M	2318567	1
	20	2.0 m	VIP-CAB-FLK20/0,14/2,0M	2318570	1
	20	3.0 m	VIP-CAB-FLK20/0,14/3,0M	2318583	1
	20	4.0 m	VIP-CAB-FLK20/0,14/4,0M	2318596	1
	20	6.0 m	VIP-CAB-FLK20/0,14/6,0M	2318606	1
Round cable, same as above, however, in variable lengths (minimum order 5 pieces)	20		VIP-CAB-FLK20/0,14/...	2318619	1
Round cable, with 2 molded socket strips	26	0.5 m	VIP-CAB-FLK26/0,14/0,5M	2318622	1
	26	1.0 m	VIP-CAB-FLK26/0,14/1,0M	2318635	1
	26	1.5 m	VIP-CAB-FLK26/0,14/1,5M	2318648	1
	26	2.0 m	VIP-CAB-FLK26/0,14/2,0M	2318651	1
	26	3.0 m	VIP-CAB-FLK26/0,14/3,0M	2318664	1
	26	4.0 m	VIP-CAB-FLK26/0,14/4,0M	2318677	1
	26	6.0 m	VIP-CAB-FLK26/0,14/6,0M	2318680	1
Round cable, same as above, however, in variable lengths (minimum order 5 pieces)	26		VIP-CAB-FLK26/0,14/...	2318693	1
Round cable, with 2 molded socket strips	34	0.5 m	VIP-CAB-FLK34/0,14/0,5M	2318703	1
	34	1.0 m	VIP-CAB-FLK34/0,14/1,0M	2318716	1
	34	1.5 m	VIP-CAB-FLK34/0,14/1,5M	2318729	1
	34	2.0 m	VIP-CAB-FLK34/0,14/2,0M	2318732	1
	34	3.0 m	VIP-CAB-FLK34/0,14/3,0M	2318745	1
	34	4.0 m	VIP-CAB-FLK34/0,14/4,0M	2318758	1
	34	6.0 m	VIP-CAB-FLK34/0,14/6,0M	2318761	1
Round cable, same as above, however, in variable lengths (minimum order 5 pieces)	34		VIP-CAB-FLK34/0,14/...	2318774	1
Round cable, with 2 molded socket strips	40	0.5 m	VIP-CAB-FLK40/0,14/0,5M	2318787	1
	40	1.0 m	VIP-CAB-FLK40/0,14/1,0M	2318790	1
	40	1.5 m	VIP-CAB-FLK40/0,14/1,5M	2318800	1
	40	2.0 m	VIP-CAB-FLK40/0,14/2,0M	2318813	1
	40	3.0 m	VIP-CAB-FLK40/0,14/3,0M	2318826	1
	40	4.0 m	VIP-CAB-FLK40/0,14/4,0M	2318839	1
	40	6.0 m	VIP-CAB-FLK40/0,14/6,0M	2318842	1
Round cable, same as above, however, in variable lengths (minimum order 5 pieces)	40		VIP-CAB-FLK40/0,14/...	2318855	1
Round cable, with 2 molded socket strips	50	0.5 m	VIP-CAB-FLK50/0,14/0,5M	2318868	1
	50	1.0 m	VIP-CAB-FLK50/0,14/1,0M	2318871	1
	50	1.5 m	VIP-CAB-FLK50/0,14/1,5M	2318884	1
	50	2.0 m	VIP-CAB-FLK50/0,14/2,0M	2318897	1
	50	3.0 m	VIP-CAB-FLK50/0,14/3,0M	2318907	1
	50	4.0 m	VIP-CAB-FLK50/0,14/4,0M	2318910	1
	50	6.0 m	VIP-CAB-FLK50/0,14/6,0M	2318923	1
Round cable, same as above, however, in variable lengths (minimum order 5 pieces)	50		VIP-CAB-FLK50/0,14/...	2318936	1

3 Technical data

General data

Maximum permissible operating voltage	< 50 V AC/60 V DC
Maximum permissible current carrying capacity per path	1 A
Maximum conductor resistance	≤ 0.16 Ω/m
Ambient temperature range	
Operation	-20°C ... +50°C
Storage/transport	-20°C ... +70°C
Conductor cross-section	0.14 mm ² (26 AWG)
Conductor structure	7 litz wires, Cu tin-plated
Outside diameter	

10-pos.	6.1 mm
14-pos.	6.4 mm
16-pos.	6.8 mm
20-pos.	7.6 mm
26-pos.	8.3 mm
34-pos.	8.7 mm
40-pos.	9.9 mm
50-pos.	10.3 mm

Assembly	Insulation displacement connection method according to IEC 60352-4/ DIN EN 60352-4
----------	---

Approvals

UL, CUL Applied for

4 Ordering example for system cables

– 10-pos. cable, 7.6 m long

Quantity	Order No.	Length [m]
1	2318376	7.6
		Minimum 0.5 m
		Maximum 100.0 m
		Increment 0.1 m



Компания «ЭлектроПласт» предлагает заключение долгосрочных отношений при поставках импортных электронных компонентов на взаимовыгодных условиях!

Наши преимущества:

- Оперативные поставки широкого спектра электронных компонентов отечественного и импортного производства напрямую от производителей и с крупнейших мировых складов;
- Поставка более 17-ти миллионов наименований электронных компонентов;
- Поставка сложных, дефицитных, либо снятых с производства позиций;
- Оперативные сроки поставки под заказ (от 5 рабочих дней);
- Экспресс доставка в любую точку России;
- Техническая поддержка проекта, помощь в подборе аналогов, поставка прототипов;
- Система менеджмента качества сертифицирована по Международному стандарту ISO 9001;
- Лицензия ФСБ на осуществление работ с использованием сведений, составляющих государственную тайну;
- Поставка специализированных компонентов (Xilinx, Altera, Analog Devices, Intersil, Interpoint, Microsemi, Aeroflex, Peregrine, Syfer, Eurofarad, Texas Instrument, Miteq, Cobham, E2V, MA-COM, Hittite, Mini-Circuits, General Dynamics и др.);

Помимо этого, одним из направлений компании «ЭлектроПласт» является направление «Источники питания». Мы предлагаем Вам помощь Конструкторского отдела:

- Подбор оптимального решения, техническое обоснование при выборе компонента;
- Подбор аналогов;
- Консультации по применению компонента;
- Поставка образцов и прототипов;
- Техническая поддержка проекта;
- Защита от снятия компонента с производства.



Как с нами связаться

Телефон: 8 (812) 309 58 32 (многоканальный)

Факс: 8 (812) 320-02-42

Электронная почта: org@eplast1.ru

Адрес: 198099, г. Санкт-Петербург, ул. Калинина, дом 2, корпус 4, литера А.