

TO PIDSA HQ

DELIVERY SPECIFICATIONS

Orderer (Customer) Part Number \_\_\_\_\_

Panasonic Global Part Number AN44071A-VF

Vendor Issue Number 1203001

Confirmation of Security Control

We confirm and certify that the products of these specifications shall not be supplied so as to be used for Military Purpose (defined herein below). "Military Purpose" in this statement means the design, development, manufacture, storage or use of any weapons, including without limitation nuclear weapons, biological weapons, chemical weapons and missiles.

ORDERER (CUSTOMER)

Receipt Date:    /    /

VENDOR

"Changes in the description of Delivery Specifications" and "changes that affect performance, quality or environment" are implemented according to advance consultation.

パナソニック株式会社
2012. 3. 12
デバイス社 半導体事業グループ 汎用LSI BU

Issuance Date:    /    /

SMART Puniness distraction  
S423141-01#01

Request for your special attention and precautions in using the technical information and semiconductors described in this book

(1) If any of the products or technical information described in this book is to be exported or provided to non-residents, the laws and regulations of the exporting country, especially, those with regard to security export control, must be observed.

(2) The technical information described in this book is intended only to show the main characteristics and application circuit examples of the products. No license is granted in and to any intellectual property right or other right owned by Panasonic Corporation or any other company. Therefore, no responsibility is assumed by our company as to the infringement upon any such right owned by any other company which may arise as a result of the use of technical information described in this book.

(3) The products described in this book are intended to be used for general applications (such as office equipment, communications equipment, measuring instruments and household appliances), or for specific applications as expressly stated in this book.

Consult our sales staff in advance for information on the following applications:

- Special applications (such as for airplanes, aerospace, automotive equipment, traffic signaling equipment, combustion equipment, life support systems and safety devices) in which exceptional quality and reliability are required, or if the failure or malfunction of the products may directly jeopardize life or harm the human body.

It is to be understood that our company shall not be held responsible for any damage incurred as a result of or in connection with your using the products described in this book for any special application, unless our company agrees to your using the products in this book for any special application.

(4) When designing your equipment, comply with the range of absolute maximum rating and the guaranteed operating conditions (operating power supply voltage and operating environment etc.). Especially, please be careful not to exceed the range of absolute maximum rating on the transient state, such as power-on, power-off and mode-switching. Other-wise, we will not be liable for any defect which may arise later in your equipment.

Even when the products are used within the guaranteed values, take into the consideration of incidence of break down and failure mode, possible to occur to semiconductor products. Measures on the systems such as redundant design, arresting the spread of fire or preventing glitch are recommended in order to prevent physical injury, fire, social damages, for example, by using the products.

(5) Comply with the instructions for use in order to prevent breakdown and characteristics change due to external factors (ESD, EOS, thermal stress and mechanical stress) at the time of handling, mounting or at customer's process. When using products for which damp-proof packing is required, satisfy the conditions, such as shelf life and the elapsed time since first opening the packages.

(6) This book may be not reprinted or reproduced whether wholly or partially, without the prior written permission of our company.

---

Reprint from WARNING LABEL STANDARDS SC3-11-00007

This delivery specifications may include old company names such as "Matsushita Electronics Corporation" or "Semiconductor Company, Matsushita Electric Industrial Co., Ltd." "Semiconductor Company, Panasonic Corporation" Please interpret these old company names as Industrial Devices Company, Panasonic Corporation" as of January 1, 2012.

Regulations No.	IC3F5544	Total Pages	Page
		52	1

# Product Standards

Part No.	AN44071A
Package Code No.	HSOP056-P-0300B

Semiconductor Company  
Panasonic Corporation

Established by	Applied by	Checked by	Prepared by
<i>H. Shidomka</i>	M.Hiramatsu	J.Kaneda	T.Yokouchi

2010-08-20	
Established	Revised

	<h1>Product Standards</h1>	<h2>AN44071A</h2>	
		Total Pages	Page
		52	2

### Contents

■ Overview .....		3
■ Features .....		3
■ Applications .....		3
■ Package .....		3
■ Type .....		3
■ Application Circuit Example .....		4
■ Block Diagram .....		5
■ Pin Descriptions .....		6
■ Absolute Maximum Ratings .....		8
■ Operating Supply Voltage Range .....		8
■ Allowable Current and Voltage Range .....		9
■ Electrical Characteristics .....		10
■ Electrical Characteristics (Reference values for design) .....		13
■ Test Circuit Diagram .....		14
■ Electrical Characteristics Test Procedures .....		16
■ Technical Data .....		25
1. I/O block circuit diagrams and pin function descriptions .....		25
2. Control mode.....		32
3. Each phase current value .....		33
4. Each phase current value (timing chart) .....		35
5. Timing chart when DIR switches .....		39
6. Home Position function (TEST = High) .....		40
7. Step detection output function (TEST = Low) .....		44
8. Over-current protection function .....		44
9. About inputting the supply voltage to IF pins when VM power supply is not applied .....		44
■ Usage Notes .....		45
1. Special attention and precaution in using .....		45
2. Notes of Power LSI .....		46
3. Notes of this IC .....		47

2010-08-20		
Established	Revised	

	<h1>Product Standards</h1>	<h2>AN44071A</h2>	
		Total Pages	Page
		52	3

# AN44071A

## Driver IC for Stepping Motor

### ■ Overview

AN44071A is a quad channel H-bridge driver IC. Two bipolar stepping motor can be controlled by a single driver IC. Interface control is ICLK\_type, it can be selected 2-phase excitation, half- step, 1-2 phase excitation, W1-2 phase excitation and 2W1-2 phase excitation.

### ■ Features

- 2-channel stepping motor driver
  - A signal driver controls 2 stepping motors
- Built-in decoder for micro steps (2-phase, half step, 1-2 phase, W1-2 phase and 2W1-2 phase excitation)
  - Stepping motor can be driven by only external clock signal.
- PWM can be driven by built-in CR (3-value can be selected during PWM OFF period.)
  - The selection of PWM OFF period enables the best PWM drive.
- Mix Decay control (4-value can be selected for Fast Decay ratio)
  - Mix Decay control can improve accuracy of motor current waveform.
- Built-in over-current protection (OCP)
  - If the current flows to motor output more than the setup value due to ground-fault etc., the OCP operates and all motor outputs are turned OFF.
- Built-in under voltage lockout (UVLO)
  - If supply voltage falls to less than the operating supply voltage range, the UVLO operates and all motor outputs are turned OFF.
- Built-in thermal protection (TSD)
  - If chip junction temperature rises and reaches to the setup temperature, all motor outputs are turned OFF.
- Built-in abnormal detection output function
  - If OCP or TSD operates, an abnormal detection signal is output.
- Built-in standby function
  - The operation of standby function can lower current consumption of this IC.
- Built-in Home Position function
  - Home Position function can detect the position of motor.
- Built-in step detection output function
  - If step detection output function detects clock input signal, it outputs a signal.
- Built-in 5 V power supply (accuracy : ±5%)

### ■ Applications

- Stepping motor drive

### ■ Package

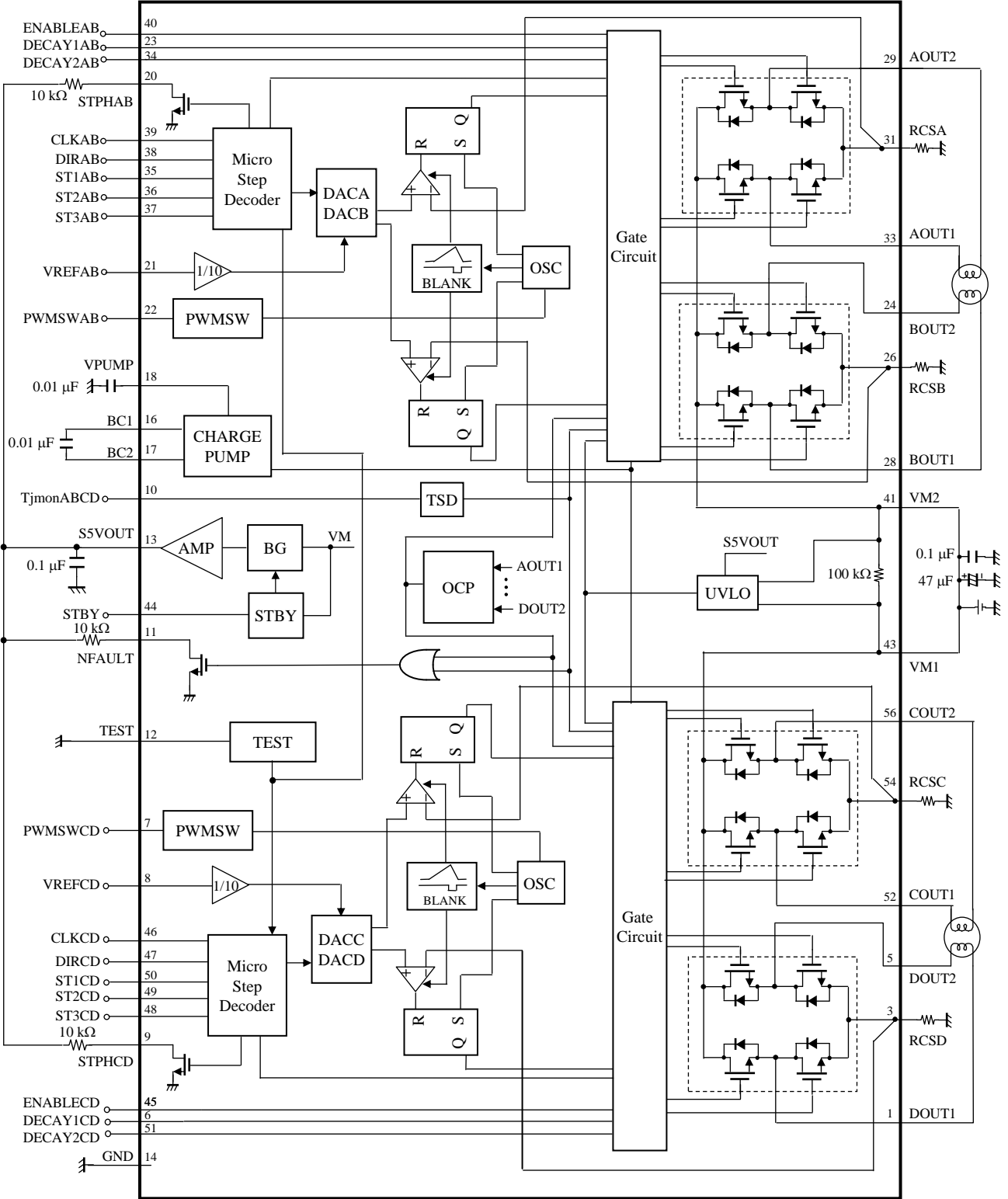
- 56 pin Plastic Small Outline Package With Heat Sink (SOP Type)

### ■ Type

- Bi-CDMOS IC

2010-08-20		
Established	Revised	

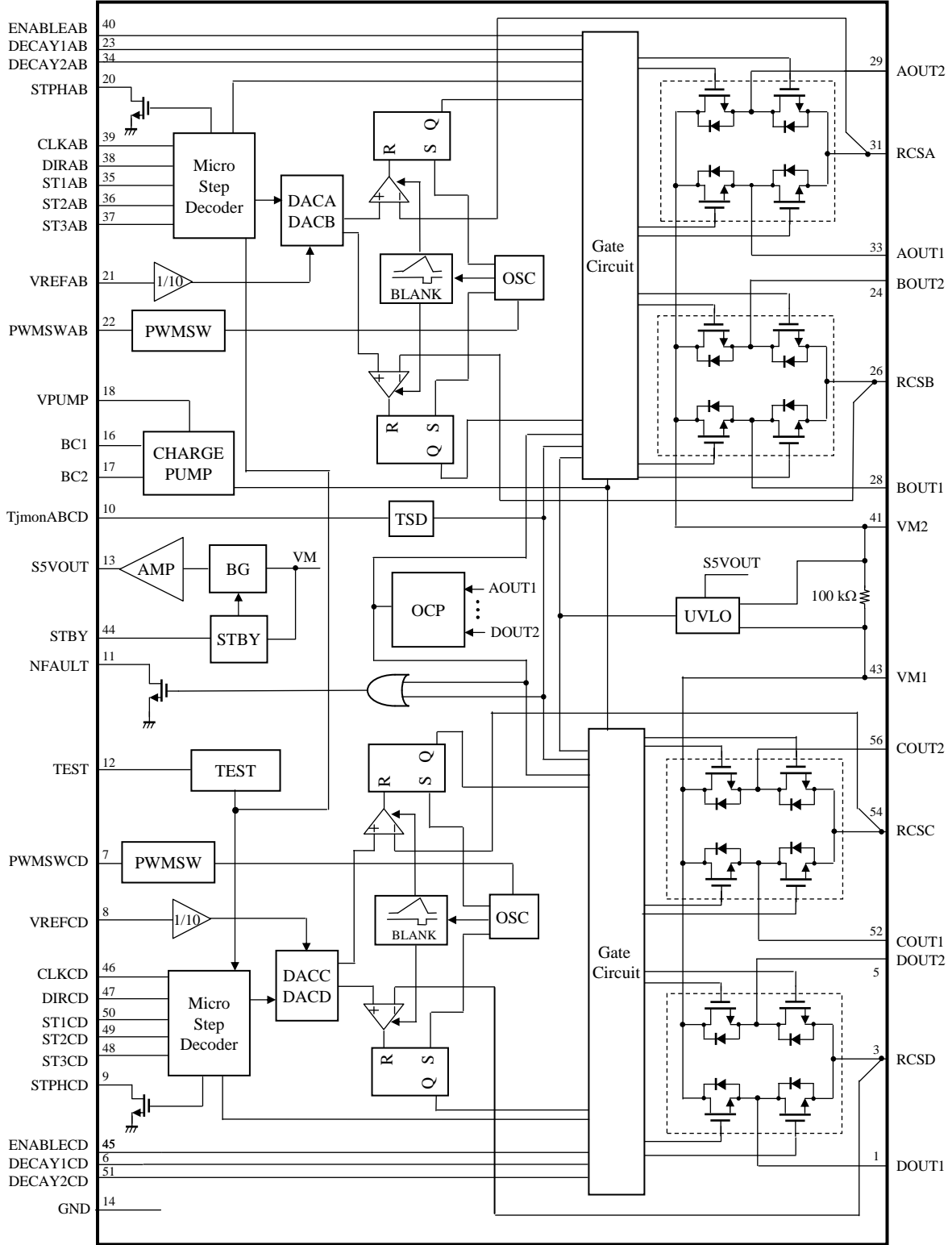
■ Application Circuit Example



- Notes) • This application circuit is shown as an example but does not guarantee the design for mass production set.  
 • VM1 and VM2 should be connected outside.

2010-08-20		
Established	Revised	

■ Block Diagram



Note) This block diagram is for explaining functions. Part of the block diagram may be omitted, or it may be simplified.

2010-08-20		
Established	Revised	

	<h1>Product Standards</h1>	<h2>AN44071A</h2>	
		Total Pages	Page
		52	6

### ■ Pin Descriptions

Pin No.	Pin name	Type	Description
1	DOUT1	Output	Phase D motor drive output 1
2	N.C.	—	N.C.
3	RCS D	Input/Output	Phase D motor current detection
4	N.C.	—	N.C.
5	DOUT2	Output	Phase D motor drive output 2
6	DECAY1CD	Input	Phase C/D Mix Decay setup 1
7	PWMSWCD	Input	Phase C/D PWM OFF period selection input
8	VREFCD	Input	Phase C/D Torque reference voltage input
9	STPHCD	Output	Phase C/D Home Position / Step detection signal output
10	TjmonABCD	Output	Phase A/B, C/D VBE monitor
11	NFAULT	Output	Abnormal detection output
12	TEST	Input	Test mode setup
13	S5VOUT	Output	Internal reference voltage (output 5 V)
14	GND	Ground	Ground
15	COM1	—	Die pad ground 1
16	BC1	Output	Capacitor connection 1 for charge pump
17	BC2	Output	Capacitor connection 2 for charge pump
18	VPUMP	Output	Charge pump circuit output
19	N.C.	—	N.C.
20	STPHAB	Output	Phase A/B Home Position / Step detection signal output
21	VREFAB	Input	Phase A/B Torque reference voltage input
22	PWMSWAB	Input	Phase A/B PWM OFF period selection input
23	DECAY1AB	Input	Phase A/B Mix Decay setup 1
24	BOUT2	Output	Phase B motor drive output 2
25	N.C.	—	N.C.
26	RCSB	Input/Output	Phase B motor current detection
27	N.C.	—	N.C.
28	BOUT1	Output	Phase B motor drive output 1
29	AOUT2	Output	Phase A motor drive output 2
30	N.C.	—	N.C.
31	RCSA	Input/Output	Phase A motor current detection
32	N.C.	—	N.C.
33	AOUT1	Output	Phase A motor drive output 1
34	DECAY2AB	Input	Phase A/B Mix Decay setup 2

2010-08-20		
Established	Revised	



	<b>Product Standards</b>	<b>AN44071A</b>	
		Total Pages	Page
		52	7

■ Pin Descriptions (continued)

Pin No.	Pin name	Type	Description
35	ST1AB	Input	Phase A/B excitation selection 1
36	ST2AB	Input	Phase A/B excitation selection 2
37	ST3AB	Input	Phase A/B excitation selection 3
38	DIRAB	Input	Phase A/B rotation direction setup
39	CLKAB	Input	Phase A/B clock input
40	ENABLEAB	Input	Phase A/B Enable / disable CTL
41	VM2	Power supply	Power supply 2 for motor
42	COM2	—	Die pad ground 2
43	VM1	Power supply	Power supply 1 for motor
44	STBY	Input	Standby
45	ENABLECD	Input	Phase C/D Enable / disable CTL
46	CLKCD	Input	Phase C/D clock input
47	DIRCD	Input	Phase C/D rotation direction setup
48	ST3CD	Input	Phase C/D excitation selection 3
49	ST2CD	Input	Phase C/D excitation selection 2
50	ST1CD	Input	Phase C/D excitation selection 1
51	DECAY2CD	Input	Phase C/D Mix Decay setup 2
52	COUT1	Output	Phase C motor drive output 1
53	N.C.	—	N.C.
54	RCSC	Input/Output	Phase C motor current detection
55	N.C.	—	N.C.
56	COUT2	Output	Phase C motor drive output 2

2010-08-20		
Established	Revised	

	<h1>Product Standards</h1>	<h2>AN44071A</h2>	
		Total Pages	Page
		52	8

### ■ Absolute Maximum Ratings

Note) Absolute maximum ratings are limit values which do not result in damages to this IC, and IC operation is not guaranteed at these limit values.

A No.	Parameter	Symbol	Rating	Unit	Notes
1	Supply voltage (Pin 41, 43)	$V_M$	37	V	*1
2	Power dissipation	$P_D$	448	mW	*2
3	Operating ambient temperature	$T_{opr}$	-20 to +85	°C	*3
4	Storage temperature	$T_{stg}$	-55 to +150	°C	*3
5	Output pin voltage (Pin 1, 5, 24, 28, 29, 33, 52, 56)	$V_{OUT}$	37	V	*4
6	Motor drive current 1 (Pin 24, 28, 29, 33)	$I_{OUT1}$	±1.0	A	*5
7	Motor drive current 2 (Pin 1, 5, 52, 56)	$I_{OUT2}$	±1.7	A	*5
8	Flywheel diode current 1 (Pin 24, 28, 29, 33)	$I_{f1}$	±1.0	A	*5
9	Flywheel diode current 2 (Pin 1, 5, 52, 56)	$I_{f2}$	±1.7	A	*5

Notes) \*1 : The values under the condition not exceeding the above absolute maximum ratings and the power dissipation.

\*2 : The power dissipation shown is the value at  $T_a = 85^\circ\text{C}$  for the independent (unmounted) IC package without a heat sink.

When using this IC, refer to the  $P_D$ - $T_a$  diagram of the package standard and design the heat radiation with sufficient margin so that the allowable value might not be exceeded based on the conditions of power supply voltage, load, and ambient temperature.

\*3 : Except for the power dissipation, operating ambient temperature, and storage temperature, all ratings are for  $T_a = 25^\circ\text{C}$ .

\*4 : This is a rated value of output voltage, and do not apply input voltage from outside to these pins. Set not to exceed the allowable range at any time.

\*5 : Do not apply external current to any pin specially mentioned. For circuit currents, (+) denotes current flowing into the IC and (-) denotes current flowing out of the IC.

### ■ Operating Supply Voltage Range

Parameter	Symbol	Range	Unit	Notes
Supply voltage range	$V_M$	10.0 to 34.0	V	*1

Note) \*1 : The values under the condition not exceeding the above absolute maximum ratings and the power dissipation.

2010-08-20		
Established	Revised	

	<h1>Product Standards</h1>	<h2>AN44071A</h2>	
		Total Pages	Page
		52	9

### ■ Allowable Current and Voltage Range

- Notes) • Allowable current and voltage ranges are limit ranges which do not result in damages to this IC, and IC operation is not guaranteed within these limit ranges.  
• Voltage values, unless otherwise specified, are with respect to GND.  
• Do not apply external currents or voltages to any pin not specifically mentioned.  
• For the circuit currents, "+" denotes current flowing into the IC, and "-" denotes current flowing out of the IC.

Pin No.	Pin name	Rating	Unit	Notes
3	RCS D	2.5	V	—
6	DECAY1CD	-0.3 to 6	V	—
7	PWMSWCD	-0.3 to 6	V	—
8	VREFCD	-0.3 to 6	V	—
9	STPHCD	-0.3 to 6	V	*1
11	NFAULT	-0.3 to 6	V	*1
12	TEST	-0.3 to 6	V	—
17	BC2	( $V_M - 1$ ) to 43	V	*2
18	VPUMP	( $V_M - 2$ ) to 43	V	*2
20	STPHAB	-0.3 to 6	V	*1
21	VREFAB	-0.3 to 6	V	—
22	PWMSWAB	-0.3 to 6	V	—
23	DECAY1AB	-0.3 to 6	V	—
26	RCSB	2.5	V	—
31	RCSA	2.5	V	—
34	DECAY2AB	-0.3 to 6	V	—
35	ST1AB	-0.3 to 6	V	—
36	ST2AB	-0.3 to 6	V	—
37	ST3AB	-0.3 to 6	V	—
38	DIRAB	-0.3 to 6	V	—
39	CLKAB	-0.3 to 6	V	—
40	ENABLEAB	-0.3 to 6	V	—
44	STBY	-0.3 to 6	V	—
45	ENABLECD	-0.3 to 6	V	—
46	CLKCD	-0.3 to 6	V	—
47	DIRCD	-0.3 to 6	V	—
48	ST3CD	-0.3 to 6	V	—
49	ST2CD	-0.3 to 6	V	—
50	ST1CD	-0.3 to 6	V	—
51	DECAY2CD	-0.3 to 6	V	—
54	RCSC	2.5	V	—

Pin No.	Pin name	Rating	Unit	Notes
9	STPHCD	2	mA	*1
11	NFAULT	2	mA	*1
13	S5VOUT	-7 to 0	mA	—
20	STPHAB	2	mA	*1

- Notes) \*1 : This pin is connected to open drain circuit inside. Connect a resistor in series with power supply.  
Do not exceed the rated value at any time. Refer to page 4 for the recommended value.  
\*2 : External voltage must not be applied to this pin. Do not exceed the rated value at any time.

2010-08-20		
Established	Revised	

<h1 style="margin: 0;">Product Standards</h1>		AN44071A	
		Total Pages	Page
		52	10

## ■ Electrical Characteristics at $V_M = 24.0\text{ V}$

Note)  $T_a = 25^\circ\text{C} \pm 2^\circ\text{C}$  unless otherwise specified.

B No.	Parameter	Symbol	Test circuits	Conditions	Limits			Unit	Notes
					Min	Typ	Max		
<b>Power block</b>									
1	Output saturation voltage 1 High	$V_{OH1}$	2	$I = -0.5\text{ A}$ (Pin 24, 28, 29, 33)	$V_M$ -0.5	$V_M$ -0.3	—	V	—
2	Output saturation voltage 1 Low	$V_{OL1}$	2	$I = 0.5\text{ A}$ (Pin 24, 28, 29, 33)	—	0.48	0.75	V	—
3	Output saturation voltage 2 High	$V_{OH2}$	2	$I = -0.8\text{ A}$ (Pin 1, 5, 52, 56)	$V_M$ -0.55	$V_M$ -0.35	—	V	—
4	Output saturation voltage 2 Low	$V_{OL2}$	2	$I = 0.8\text{ A}$ (Pin 1, 5, 52, 56)	—	0.64	0.97	V	—
5	Flywheel diode forward voltage 1	$V_{DI1}$	2	$I = 0.5\text{ A}$ (Pin 24, 28, 29, 33)	0.5	1	1.5	V	—
6	Flywheel diode forward voltage 2	$V_{DI2}$	2	$I = 0.8\text{ A}$ (Pin 1, 5, 52, 56)	0.5	1	1.5	V	—
7	Upper-side output OFF current	$I_{OUTOFF1}$	2	$V_M = 37\text{ V}$ , $V_{RCS} = 0\text{ V}$ , $OUT = 0\text{ V}$	-10	—	—	$\mu\text{A}$	*1
8	Lower-side output OFF current	$I_{OUTOFF2}$	2	$V_M = 37\text{ V}$ , $V_{RCS} = 0\text{ V}$ , $OUT = 37\text{ V}$	—	—	100	$\mu\text{A}$	*1
<b>Supply current</b>									
9	Supply current (Active)	$I_M$	1	ENABLEAB = ENABLECD = Low, STBY = High	—	10	19	mA	—
10	Supply current (STBY)	$I_{MSTBY}$	1	STBY = Low	—	22	40	$\mu\text{A}$	—
<b>I/O block</b>									
11	STBY High-level input voltage	$V_{STBYH}$	1	—	2.1	—	5.5	V	—
12	STBY Low-level input voltage	$V_{STBYL}$	1	—	0	—	0.6	V	—
13	STBY High-level input current	$I_{STBYH}$	1	STBY = 5 V	25	50	100	$\mu\text{A}$	—
14	STBY Low-level input current	$I_{STBYL}$	1	STBY = 0 V	-2	—	2	$\mu\text{A}$	—
15	CLK High-level input voltage	$V_{CLKH}$	1	—	2.1	—	5.5	V	*2
16	CLK Low-level input voltage	$V_{CLKL}$	1	—	0	—	0.6	V	*2
17	CLK High-level input current	$I_{CLKH}$	1	CLK = 5 V	25	50	100	$\mu\text{A}$	*2
18	CLK Low-level input current	$I_{CLKL}$	1	CLK = 0 V	-2	—	2	$\mu\text{A}$	*2
19	CLK maximum input frequency	$f_{CLK}$	1	—	50	—	—	kHz	*2
20	ENABLE High-level input voltage	$V_{ENABLEH}$	1	—	2.1	—	5.5	V	*3
21	ENABLE Low-level input voltage	$V_{ENABLEL}$	1	—	0	—	0.6	V	*3
22	ENABLE High-level input current	$I_{ENABLEH}$	1	ENABLE = 5 V	25	50	100	$\mu\text{A}$	*3
23	ENABLE Low-level input current	$I_{ENABLEL}$	1	ENABLE = 0 V	-2	—	2	$\mu\text{A}$	*3

Notes) \*1 : OUT represents AOUT1, AOUT2, BOUT1, BOUT2, COUT1, COUT2, DOUT1 and DOUT2.

\*2 : CLK represents CLKAB and CLKCD.

\*3 : ENABLE represents ENABLEAB and ENABLECD.

2010-08-20		
Established	Revised	

<h1>Product Standards</h1>		<h2>AN44071A</h2>	
		Total Pages	Page
		52	11

■ Electrical Characteristics (continued) at  $V_M = 24.0\text{ V}$

Note)  $T_a = 25^\circ\text{C} \pm 2^\circ\text{C}$  unless otherwise specified.

B No.	Parameter	Symbol	Test circuits	Conditions	Limits			Unit	Notes
					Min	Typ	Max		
I/O block (continued)									
24	PWMSW High-level input voltage	$V_{PWMSWH}$	1	—	2.3	—	5.5	V	*4
25	PWMSW Middle-level input voltage	$V_{PWMSWM}$	1	—	1.3	—	1.7	V	*4
26	PWMSW Low-level input voltage	$V_{PWMSWL}$	1	—	0	—	0.6	V	*4
27	PWMSW High-level input current	$I_{PWMSWH}$	1	PWMSW = 5 V	40	83	150	$\mu\text{A}$	*4
28	PWMSW Low-level input current	$I_{PWMSWL}$	1	PWMSW = 0 V	-70	-36	-18	$\mu\text{A}$	*4
29	PWMSW open voltage	$V_{PWMSWO}$	1	—	1.3	1.5	1.7	V	*4
30	DECAY High-level input voltage	$V_{DECAYH}$	1	—	2.1	—	5.5	V	*5
31	DECAY Low-level input voltage	$V_{DECAYL}$	1	—	0	—	0.6	V	*5
32	DECAY High-level input current	$I_{DECAYH}$	1	DECAY = 5 V	25	50	100	$\mu\text{A}$	*5
33	DECAY Low-level input current	$I_{DECAYL}$	1	DECAY = 0 V	-2	—	2	$\mu\text{A}$	*5
34	DIR High-level input voltage	$V_{DIRH}$	1	—	2.1	—	5.5	V	*6
35	DIR Low-level input voltage	$V_{DIRL}$	1	—	0	—	0.6	V	*6
36	DIR High-level input current	$I_{DIRH}$	1	DIR = 5 V	25	50	100	$\mu\text{A}$	*6
37	DIR Low-level input current	$I_{DIRL}$	1	DIR = 0 V	-2	—	2	$\mu\text{A}$	*6
38	ST High-level input voltage	$V_{STH}$	1	—	2.1	—	5.5	V	*7
39	ST Low-level input voltage	$V_{STL}$	1	—	0	—	0.6	V	*7
40	ST High-level input current	$I_{STH}$	1	ST = 5 V	25	50	100	$\mu\text{A}$	*7
41	ST Low-level input current	$I_{STL}$	1	ST = 0 V	-2	—	2	$\mu\text{A}$	*7
Torque control block									
42	Input bias current 1	$I_{REFH}$	1	$V_{REFAB} = V_{REFCD} = 5\text{ V}$	-2	—	2	$\mu\text{A}$	—
43	Input bias current 2	$I_{REFL}$	1	$V_{REFAB} = V_{REFCD} = 0\text{ V}$	-2	—	2	$\mu\text{A}$	—
44	PWM OFF time 1	$T_{OFF1}$	1	PWMSW = Low	16.8	28	39.2	$\mu\text{s}$	*4
45	PWM OFF time 2	$T_{OFF2}$	1	PWMSW = High	9.1	15.2	21.3	$\mu\text{s}$	*4
46	PWM OFF time 3	$T_{OFF3}$	1	PWMSW = Middle	4.9	8.1	11.3	$\mu\text{s}$	*4
47	Pulse blanking time	$T_B$	1	$V_{REFAB} = V_{REFCD} = 0\text{ V}$	0.4	0.7	1.0	$\mu\text{s}$	—
48	Comp threshold	$V_{TCMP}$	1	$V_{REFAB} = V_{REFCD} = 5\text{ V}$	475	500	525	mV	—
Reference voltage block									
49	Reference voltage	$V_{SSVOUT}$	1	$I_{SSVOUT} = 0\text{ mA}$	4.75	5.0	5.25	V	—
50	Output impedance	$Z_{SSVOUT}$	1	$I_{SSVOUT} = -7\text{ mA}$	—	—	10	$\Omega$	—

Notes) \*4 : PWMSW represents PWMSWAB and PWMSWCD.

\*5 : DECAY represents DECAY1AB, DECAY2AB, DECAY1CD and DECAY2CD.

\*6 : DIR represents DIRAB and DIRCD.

\*7 : ST represents ST1AB, ST2AB, ST3AB, ST1CD, ST2CD and ST3CD.

2010-08-20		
Established	Revised	

	<h1>Product Standards</h1>	<h2>AN44071A</h2>	
		Total Pages	Page
		52	12

■ Electrical Characteristics (continued) at  $V_M = 24.0\text{ V}$

Note)  $T_a = 25^\circ\text{C} \pm 2^\circ\text{C}$  unless otherwise specified.

B No.	Parameter	Symbol	Test circuits	Conditions	Limits			Unit	Notes
					Min	Typ	Max		
<b>Abnormal detection output block</b>									
51	NFAULT pin output Low-level voltage	$V_{\text{NFAULTL}}$	1	$I_{\text{NFAULT}} = 1\text{ mA}$	—	—	0.2	V	—
52	NFAULT pin output leak current	$I_{\text{NFAULT(leak)}}$	1	$V_{\text{NFAULT}} = 5\text{ V}$	—	—	5	$\mu\text{A}$	—
<b>Home Position/ STEP detection output block</b>									
53	STPH pin output Low-level voltage	$V_{\text{STPHL}}$	1	$I_{\text{STPH}} = 1\text{ mA}$	—	—	0.2	V	*8
54	STPH pin output leak current	$I_{\text{STPH(leak)}}$	1	$V_{\text{STPH}} = 5\text{ V}$	—	—	5	$\mu\text{A}$	*8
<b>Test input block</b>									
55	TEST High-level input voltage	$V_{\text{TESTH}}$	1	—	4.0	—	5.5	V	—
56	TEST Low-level input voltage	$V_{\text{TESTL}}$	1	—	0	—	0.6	V	—
57	TEST High-level input current	$I_{\text{TESTH}}$	1	TEST = 5 V	25	50	100	$\mu\text{A}$	—
58	TEST Low-level input current	$I_{\text{TESTL}}$	1	TEST = 0 V	-2	—	2	$\mu\text{A}$	—

Note) \*8 : STPH represents STPHAB and STPHCD.

2010-08-20		
Established	Revised	

	<h1>Product Standards</h1>	<h2>AN44071A</h2>	
		Total Pages	Page
		52	13

■ **Electrical Characteristics (Reference values for design) at  $V_M = 24.0\text{ V}$**

Notes)  $T_a = 25^\circ\text{C} \pm 2^\circ\text{C}$  unless otherwise specified.

The characteristics listed below are reference values derived from the design of the IC and are not guaranteed by inspection.

If a problem does occur related to these characteristics, we will respond in good faith to user concerns.

B No.	Parameter	Symbol	Test circuits	Conditions	Reference values			Unit	Notes
					Min	Typ	Max		
<b>Output block</b>									
59	Output slew rate 1	$V_{T_r}$	—	At the rising edge of output voltage, sink side of motor current	—	350	—	V/ $\mu\text{s}$	*9
60	Output slew rate 2	$V_{T_f}$	—	At the falling edge of output voltage, sink side of motor current	—	-400	—	V/ $\mu\text{s}$	*9
61	Dead time	$T_D$	—	—	—	0.8	—	$\mu\text{s}$	*9
<b>Thermal shutdown protection</b>									
62	Thermal shutdown protection operating temperature	$T_{SD_{on}}$	—	—	—	150	—	$^\circ\text{C}$	—
<b>Under voltage lockout</b>									
63	Protection start voltage	$V_{UVLO1}$	—	—	—	7.5	—	V	—
64	Protection stop voltage	$V_{UVLO2}$	—	—	—	8.5	—	V	—

Note) \*9 : The characteristics of all outputs of AOUT1, AOUT2, BOUT1, BOUT2, COUT1, COUT2, DOUT1 and DOUT2 are shown.

2010-08-20		
Established	Revised	

# Product Standards

AN44071A

Total Pages

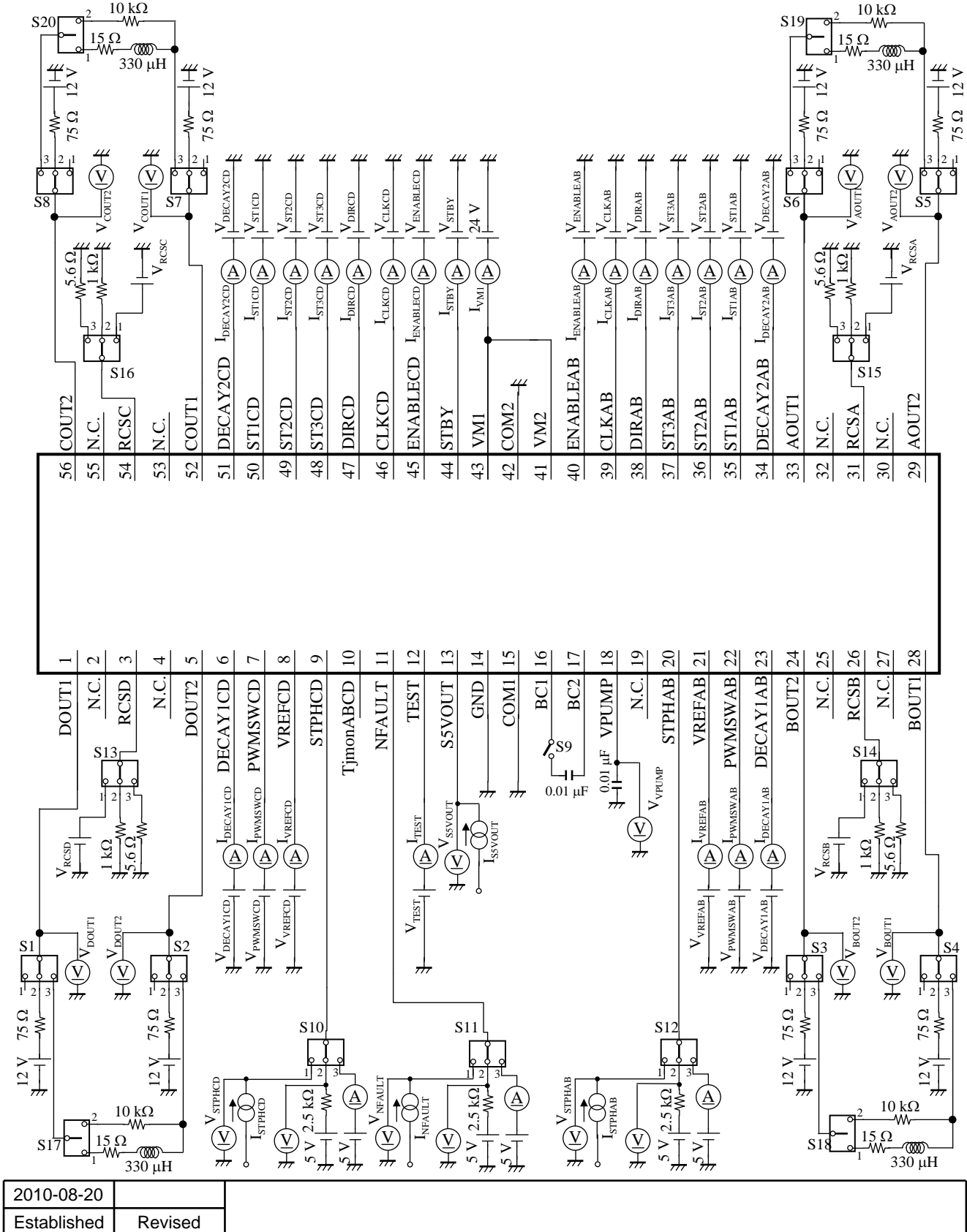
Page

52

14

## Test Circuit Diagram

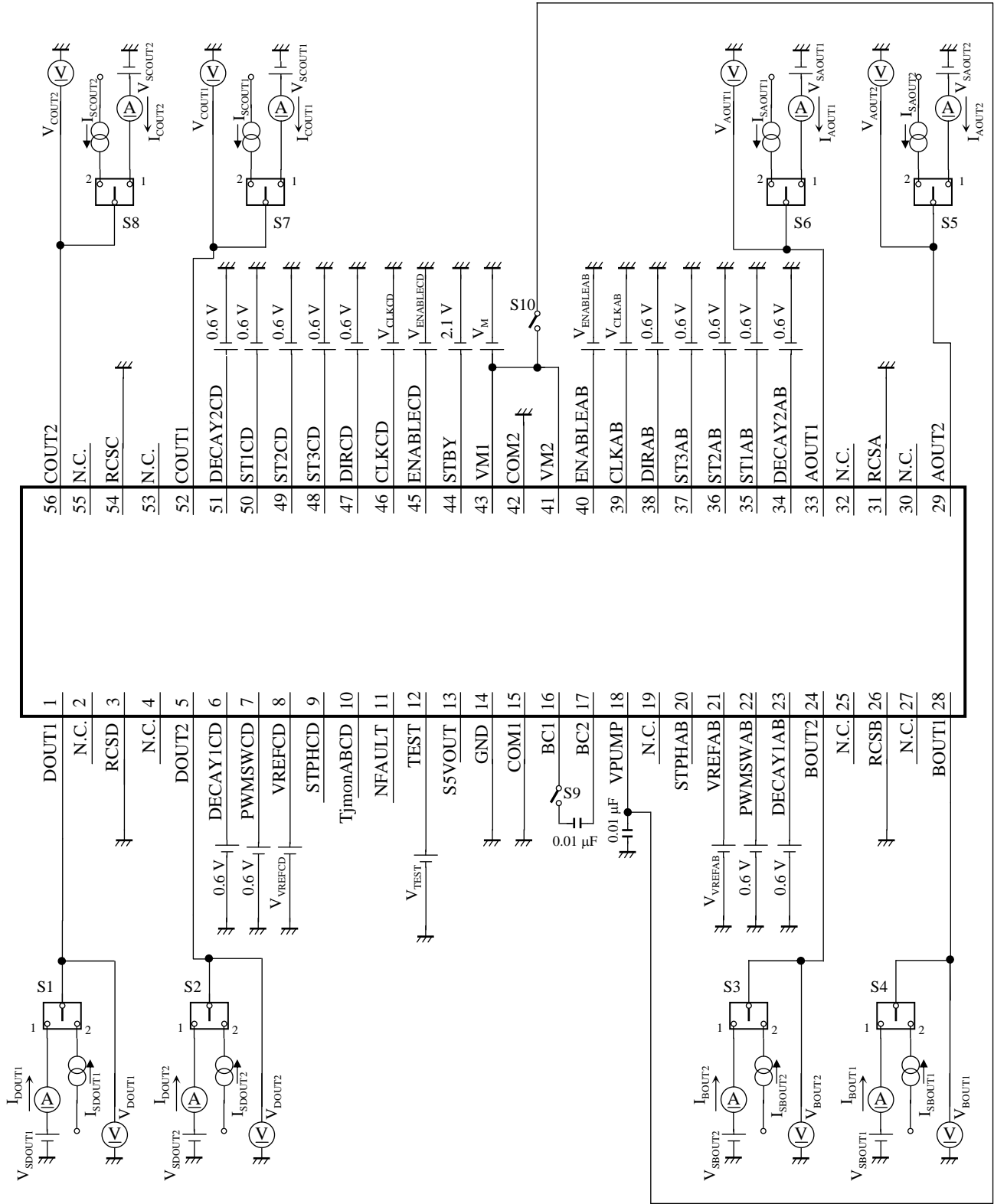
### 1. Test Circuit 1



2010-08-20	
Established	Revised



■ Test Circuit Diagram (continued)  
 2. Test Circuit 2



2010-08-20		
Established	Revised	

		<h1>Product Standards</h1>		<b>AN44071A</b>	
				Total Pages	Page
				52	16

## ■ Electrical Characteristics Test Procedures

### 1. Test Circuit 1

C No.	Measuring pin	S1 to S8	S9	S10 to S12	S13 to S16	S17 to S20	V <sub>CLK</sub> *1	V <sub>DECAY1</sub> V <sub>DECAY2</sub> *2	V <sub>STBY</sub>	V <sub>ENABLE</sub> *3	V <sub>PWMSW</sub> *4	V <sub>RCS</sub> *5	V <sub>DIR</sub> *6	V <sub>ST1</sub> V <sub>ST2</sub> V <sub>ST3</sub> *7	V <sub>TEST</sub>	V <sub>VREF</sub> *8	V <sub>VPUMP</sub>	I <sub>SSVOUT</sub>
9, 11	41, 43, 44	1	ON	1	1	—	0.6 V	0.6 V	2.1 V	0.6 V	0.6 V	0 V	0.6 V	0.6 V	0.6 V	5 V	Hi-Z	Hi-Z
10	41, 43	1	ON	1	1	—	0.6 V	0.6 V	0.6 V	0.6 V	0.6 V	0 V	0.6 V	0.6 V	0.6 V	5 V	Hi-Z	Hi-Z
12	13, 44	1	ON	1	1	—	0.6 V	0.6 V	0.6 V	2.1 V	0.6 V	0 V	0.6 V	0.6 V	0.6 V	5 V	Hi-Z	Hi-Z
49	13	1	ON	1	1	—	0.6 V	0.6 V	2.1 V	2.1 V	0.6 V	0 V	0.6 V	0.6 V	0.6 V	5 V	Hi-Z	Hi-Z
50	13	1	ON	1	1	—	0.6 V	0.6 V	2.1 V	2.1 V	0.6 V	0 V	0.6 V	0.6 V	0.6 V	5 V	Hi-Z	-7 mA
13, 17, 22, 27, 32, 36, 40, 57	6, 7, 12, 22, 23, 34 to 40, 44 to 51	1	ON	1	1	—	5 V	5 V	5 V	5 V	5 V	0 V	5 V	5 V	5 V	5 V	Hi-Z	Hi-Z
18, 23, 28, 33, 37, 41, 58	6, 7, 12, 22, 23, 34 to 40, 45 to 51	1	ON	1	1	—	0 V	0 V	5 V	0 V	0 V	0 V	0 V	0 V	0 V	5 V	Hi-Z	Hi-Z
14	44	1	ON	1	1	—	0 V	0 V	0 V	0 V	0 V	0 V	0 V	0 V	0 V	5 V	Hi-Z	Hi-Z
42	8, 21	1	ON	1	1	—	0 V	0 V	2.1 V	0 V	0 V	0 V	0 V	0 V	0 V	5 V	Hi-Z	Hi-Z
43	8, 21	1	ON	1	1	—	0 V	0 V	2.1 V	0 V	0 V	0 V	0 V	0 V	0 V	0 V	Hi-Z	Hi-Z
20, 21	33, 52, 40, 45	1	OFF	1	1	—	0.6 V	0.6 V	2.1 V	Sweep	0.6 V	0 V	0.6 V	0.6 V	0.6 V	5 V	29V	Hi-Z
48	29, 24, 56, 5, 3, 26, 31, 54	3	ON	1	1	2	0.6 V	0.6 V	2.1 V	2.1 V	0.6 V	0.475 V, 0.525 V	0.6 V	0.6 V	0.6 V	5 V	Hi-Z	Hi-Z
15, 16, 19	33, 29, 28, 24, 52, 56, 1, 5	2	ON	1	1	—	0.6 V / 2.1 V 50 kHz pulse	0.6 V	2.1 V	2.1 V	5 V	0 V	0.6 V	0.6 V	0.6 V	5 V	Hi-Z	Hi-Z
29	7, 22	1	ON	1	1	—	0 V	0 V	2.1 V	0 V	Hi-Z	0 V	0 V	0 V	0 V	0 V	Hi-Z	Hi-Z
55	9, 20	1	ON	2	1	—	Pulse input	0.6 V	2.1 V	2.1 V	0.6 V	0 V	0.6 V	0.6 V	4.0 V	5 V	Hi-Z	Hi-Z
56	9, 20	2	ON	2	1	—	Pulse input	0.6 V	2.1 V	2.1 V	1.7 V	0 V	0.6 V	2.1 V	0.6 V	5 V	Hi-Z	Hi-Z

Notes) \*1 : CLK represents CLKAB and CLKCD.

\*2 : DECAY1 represents DECAY1AB and DECAY1CD.

DECAY2 represents DECAY2AB and DECAY2CD.

\*3 : ENABLE represents ENABLEAB and ENABLECD.

\*4 : PWMSW represents PWMSWAB and PWMSWCD.

\*5 : RCS represents RCSA, RCSB, RCSC and RCSD.

\*6 : DIR represents DIRAB and DIRCD.

\*7 : ST1 represents ST1AB and ST1CD.

ST2 represents ST2AB and ST2CD.

ST3 represents ST3AB and ST3CD.

\*8 : VREF represents VREFAB and VREFCD.

2010-08-20		
Established	Revised	

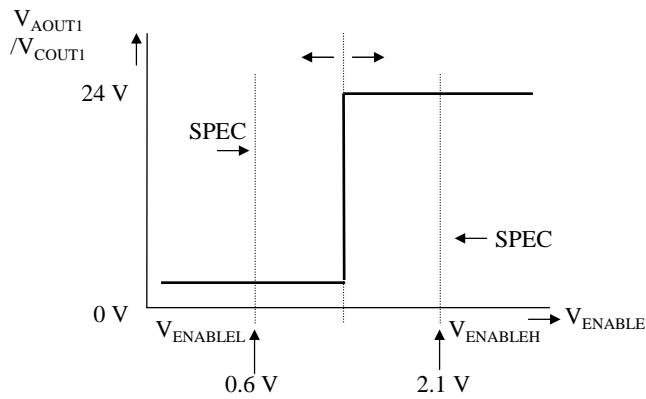
■ Electrical Characteristics Test Procedures (continued)

1. Test Circuit 1 (continued)

20) ENABLE High-level input voltage  $V_{ENABLEH}$

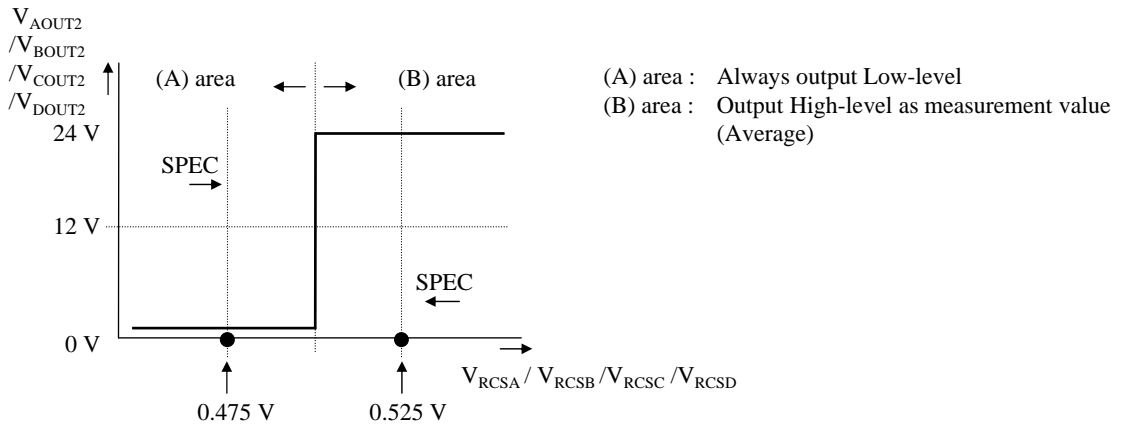
21) ENABLE Low-level input voltage  $V_{ENABLEL}$

Sweep ENABLE voltage, and check that  $V_{AOUT1}$  and  $V_{COUT1}$  switch as follows.

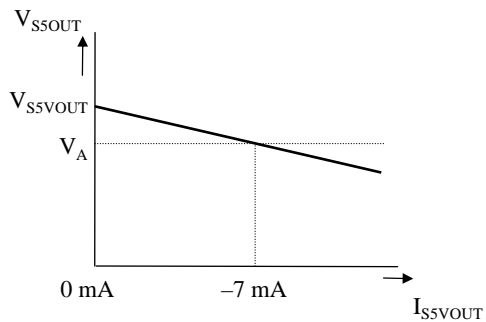


48) Comp threshold  $V_{TCMP}$

Measure the voltages of  $V_{AOUT2}$ ,  $V_{BOUT2}$ ,  $V_{COUT2}$  and  $V_{DOUT2}$ , when input voltage is set to 0.475 V and 0.525 V respectively.



50) Output impedance  $Z_{SSVOUT}$



$$Z_{SSVOUT} = \frac{V_{SSVOUT} - V_A}{7 \text{ mA}}$$

2010-08-20		
Established	Revised	

■ Electrical Characteristics Test Procedures (continued)

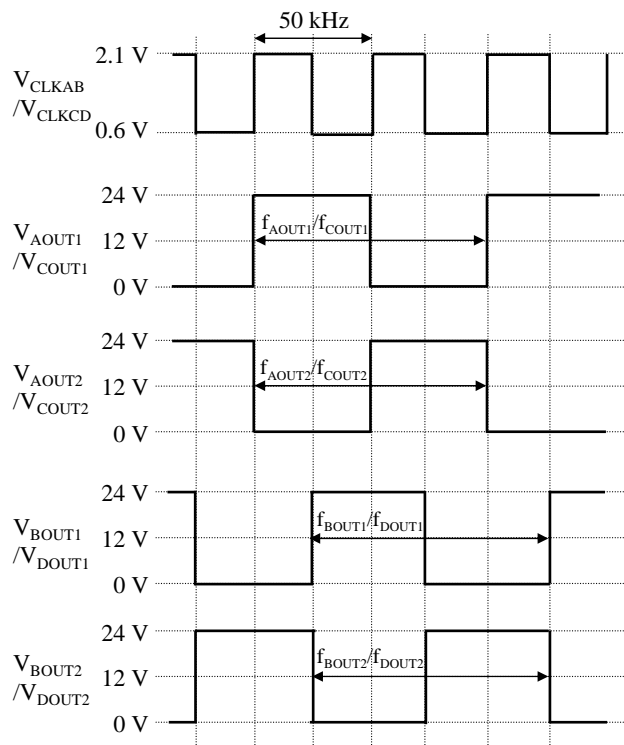
1. Test Circuit 1 (continued)

- 15) CLK High-level input voltage  $V_{CLKH}$
- 16) CLK Low-level input voltage  $V_{CLKL}$
- 19) CLK maximum input frequency  $f_{CLK}$

Input the pulse of 50 kHz as CLK as follows.

- Low-level voltage = 0.6 V
- High-level voltage = 2.1 V

When the frequency of  $V_{AOUT1}$ ,  $V_{COUT1}$ ,  $V_{AOUT2}$ ,  $V_{COUT2}$ ,  $V_{BOUT1}$ ,  $V_{DOUT1}$ ,  $V_{BOUT2}$  and  $V_{DOUT2}$  is 25 kHz, measure CLK High-level input voltage, CLK Low-level input voltage and CLK maximum input frequency.



- 55) TEST High-level input voltage  $V_{TESTH}$
- 56) TEST Low-level input voltage  $V_{TESTL}$

Check that the output status is as follows when Low-level input voltage (0.6 V) and High-level input voltage (4.0 V) are applied to TEST pin, Low-level / High-level input voltage to TEST pin.

Table Output status at TEST Low / High-level input voltage

Parameter	TEST pin voltage conditions	Status
TEST Low-level input voltage	0.6 V	STPH pin = Step detection output (Refer to page 44 for details.)
TEST High-level input voltage	4.0 V	STPH pin = Home Position output (Refer to page 40 to 43 for details.)

2010-08-20		
Established	Revised	

		<b>AN44071A</b>	
<b>Product Standards</b>		Total Pages	Page
		52	19

■ Electrical Characteristics Test Procedures (continued)

1. Test Circuit 1 (continued)

C No.	Measurement pin	S1 to S8	S9	S10 to S12	S13 to S16	S17 to S20	V <sub>CLK</sub>	V <sub>DECAY1</sub> V <sub>DECAY2</sub>	V <sub>STBY</sub>	V <sub>ENABLE</sub>	V <sub>PWMSW</sub>	V <sub>RCS</sub>	V <sub>DIR</sub>	V <sub>ST1</sub> V <sub>ST2</sub> V <sub>ST3</sub>	V <sub>TEST</sub>	V <sub>VREF</sub>	V <sub>VPUMP</sub>	I <sub>SSVOUT</sub>
34, 35, 38, 39	33, 29, 28, 24, 52, 56, 1, 5, 35 to 38, 47 to 50	2	OFF	2	1	—	Pattern	Pattern	2.1 V	Pattern	Pattern	Pattern	Pattern	Pattern	Pattern	Pattern	30 V	Hi-Z
24, 25, 26, 44, 45, 46, 47	33, 29, 28, 24, 52, 56, 1, 5, 7, 22	3	ON	1	3	1	Pulse input	0.6 V	2.1 V	2.1 V	0.6 V 1.3 V 1.7 V 2.3 V	—	0.6 V	0.6 V	0.6 V	0.5 V	Hi-Z	Hi-Z
30, 31	33, 29, 28, 24, 52, 56, 1, 5, 6, 23, 34, 51	2	OFF	2	3	—	Pattern	Pattern	2.1 V	Pattern	Pattern	Pattern	Pattern	Pattern	Pattern	Pattern	30 V	Hi-Z

- 34) DIR High-level input voltage      V<sub>DIRH</sub>  
35) DIR Low-level input voltage      V<sub>DIRL</sub>  
38) ST1/ST2/ST3 High-level input voltage      V<sub>STH</sub>  
39) ST1/ST2/ST3 Low-level input voltage      V<sub>STL</sub>

Check the logic related to the operation of each excitation mode in page 35 to 38 under the conditions that the input voltage of DIR, ST1, ST2 and ST3 is set as follows. Confirm Low-level / High-level of DIR, ST1, ST2 and ST3 by checking the logic.

DIR	ST1	ST2	ST3	Excitation mode
0.6 V	0.6 V	0.6 V	0.6 V	2-phase excitation drive (4-step sequence) / Forward
0.6 V	0.6 V	2.1 V	0.6 V	Half step drive (8-step sequence) / Forward
0.6 V	2.1 V	0.6 V	0.6 V	1-2 phase excitation drive (8-step sequence) / Forward
0.6 V	2.1 V	2.1 V	0.6 V	W1-2 phase excitation drive (16-step sequence) / Forward
0.6 V	0.6 V	2.1 V	2.1 V	2W1-2 phase excitation drive (32-step sequence) / Forward
2.1 V	0.6 V	0.6 V	0.6 V	2-phase excitation drive (4-step sequence) / Reverse
2.1 V	0.6 V	2.1 V	0.6 V	Half step drive (8-step sequence) / Reverse
2.1 V	2.1 V	0.6 V	0.6 V	1-2 phase excitation drive(8-step sequence) / Reverse
2.1 V	2.1 V	2.1 V	0.6 V	W1-2 phase excitation drive (16-step sequence) / Reverse
2.1 V	0.6 V	2.1 V	2.1 V	2W1-2 phase excitation drive (32-step sequence) / Reverse

2010-08-20		
Established	Revised	

■ Electrical Characteristics Test Procedures (continued)

1. Test Circuit 1 (continued)

- 24) PWMSW High-level input voltage     $V_{PWMSWH}$
- 25) PWMSW Middle-level input voltage  $V_{PWMSWM}$
- 26) PWMSW Low-level input voltage     $V_{PWMSWL}$
- 44) PWM OFF time 1                       $T_{OFF1}$
- 45) PWM OFF time 2                       $T_{OFF2}$
- 46) PWM OFF time 3                       $T_{OFF3}$
- 47) Pulse blanking time                   $T_B$

Each parameter is obtained by the timing chart of  $V_{AOUT1}$ ,  $V_{BOUT1}$ ,  $V_{COUT1}$ ,  $V_{DOUT1}$ ,  $V_{AOUT2}$ ,  $V_{BOUT2}$ ,  $V_{COUT2}$  and  $V_{DOUT2}$  at  $V_{REF} = 0.5$  V.

The timing chart is shown as follows.

- For 24) to 26), 44) to 47), measure  $T_{OFF1}$ ,  $T_{OFF2}$  and  $T_{OFF3}$  under the input conditions of PWMSW pin in the below chart.
- For 47), measure the Low-level interval of  $V_{AOUT1}$ ,  $V_{BOUT1}$ ,  $V_{COUT1}$  and  $V_{DOUT1}$  :  $T_B$  in the below chart.

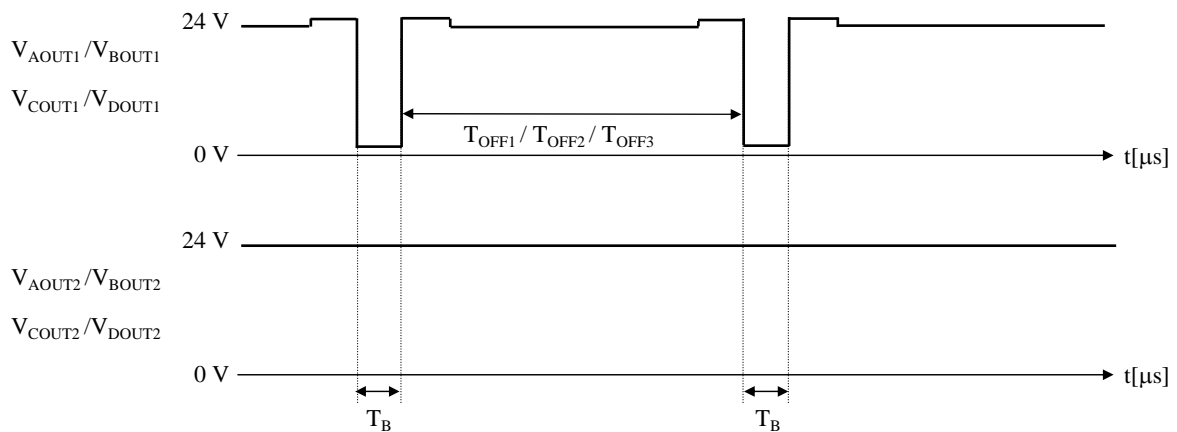


Table PWMSW input voltage vs.  $T_{OFF}$

Input pin	Voltage conditions	Status
	$V_{PWMSWH} / V_{PWMSWM} / V_{PWMSWL}$	
PWMSW	0.6 V	$T_{OFF1} = 28 \mu s$
	1.3 V	$T_{OFF3} = 8.1 \mu s$
	1.7 V	$T_{OFF3} = 8.1 \mu s$
	2.3 V	$T_{OFF2} = 15.2 \mu s$

2010-08-20		
Established	Revised	

■ Electrical Characteristics Test Procedures (continued)

1. Test Circuit 1 (continued)

- 30) DECAFY High-level input voltage  $V_{DECAFYH}$
- 31) DECAFY Low-level input voltage  $V_{DECAFYL}$

Perform the logic test under the conditions that Low-level input voltage of DECAFY1/DECAFY2 is 0.6 V and High-level input voltage is 2.1 V.

The timing chart of  $V_{AOUT1}$ ,  $V_{BOUT1}$ ,  $V_{COUT1}$ ,  $V_{DOUT1}$ ,  $V_{AOUT2}$ ,  $V_{BOUT2}$ ,  $V_{COUT2}$  and  $V_{DOUT2}$  is as follows at the logic test. Measure  $T_{DECAFY}$  and  $T_{OFF-R}$ , and check Low-level / High-level input voltage of DECAFY1/DECAFY2.

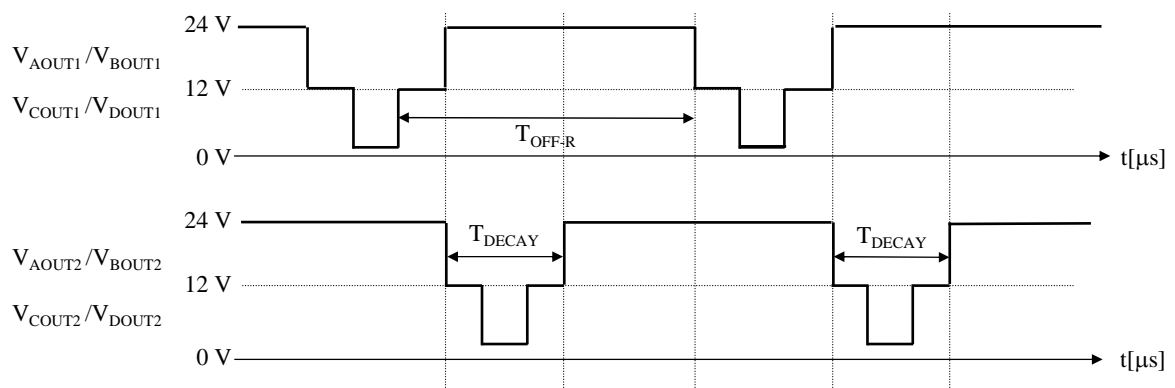


Table DECAFY1/2 input voltage vs. Decay control

DECAFY1	DECAFY2	Decay control ( $T_{DECAFY} / T_{OFF-R}$ )
0.6 V	0.6 V	0% mode (Slow Decay)
0.6 V	2.1 V	25% mode
2.1 V	0.6 V	50% mode
2.1 V	2.1 V	100% mode

2010-08-20		
Established	Revised	

	<h1>Product Standards</h1>	<h2>AN44071A</h2>	
		Total Pages	Page
		52	22

■ Electrical Characteristics Test Procedures (continued)

1. Test Circuit 1 (continued)

51) NFAULT pin output Low-level voltage  $V_{NFAULTL}$

Input 1 mA to NFAULT pin under the condition that the output of NFAULT pin is Low, and measure the voltage of NFAULT pin.

52) NFAULT pin output leak current  $I_{NFAULT(leak)}$

Input 5 V to NFAULT pin under the condition that the output of NFAULT pin is Hi-Z, measure the leak current.

53) STPH pin output Low-level voltage  $V_{STPHL}$

Input 1 mA to STPH pin under the condition that the output of STPH pin is Low, measure the voltage of STPH pin.

54) STPH pin output leak current  $I_{STPH(leak)}$

Input 5 V to STPH pin under the condition that the output of STPH pin is Hi-Z, measure the leak current.

2010-08-20		
Established	Revised	



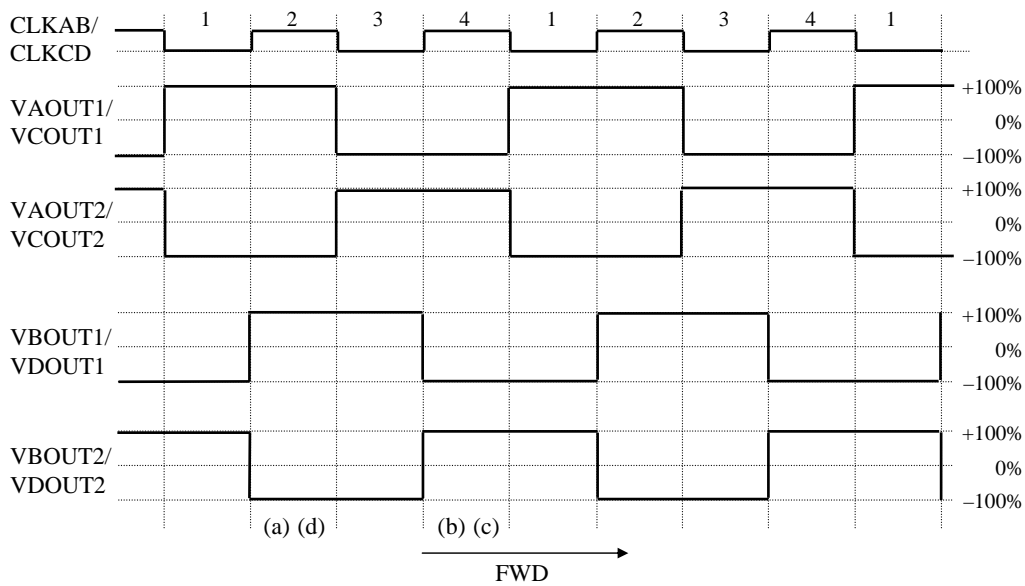
■ Electrical Characteristics Test Procedures (continued)

2. Test Circuit 2

- 1) Output saturation voltage 1 High  $V_{OH1}$
- 2) Output saturation voltage 1 Low  $V_{OL1}$
- 3) Output saturation voltage 2 High  $V_{OH2}$
- 4) Output saturation voltage 2 Low  $V_{OL2}$

2-phase excitation drive (4-step sequence)

(ST1AB/ST1CD = Low, ST2AB/ST2CD = Low, ST3AB/ST3CD = Low), (DIRAB/DIRCD = Low)



Measure the output saturation voltage High and the output saturation voltage Low under the below conditions.

Measurement parameter	(a) B No.1/No.3	(b) B No.2/No.4	(c) B No.1/No.3	(d) B No.2/No.4
Applied pin	AOUT1/BOUT1 COUT1/DOUT1	AOUT1/BOUT1 COUT1/DOUT1	AOUT2/BOUT2 COUT2/DOUT2	AOUT2/BOUT2 COUT2/DOUT2
Measured voltage	$V_{AOUT1}/V_{BOUT1}$ $V_{COUT1}/V_{DOUT1}$	$V_{AOUT1}/V_{BOUT1}$ $V_{COUT1}/V_{DOUT1}$	$V_{AOUT2}/V_{BOUT2}$ $V_{COUT2}/V_{DOUT2}$	$V_{AOUT2}/V_{BOUT2}$ $V_{COUT2}/V_{DOUT2}$
Applied condition	$I_{SAOUT1}/I_{SBOUT1} = -0.5 \text{ A}$ $I_{SCOUT1}/I_{SDOUT1} = -0.8 \text{ A}$	$I_{SAOUT1}/I_{SBOUT1} = +0.5 \text{ A}$ $I_{SCOUT1}/I_{SDOUT1} = +0.8 \text{ A}$	$I_{SAOUT2}/I_{SBOUT2} = -0.5 \text{ A}$ $I_{SCOUT2}/I_{SDOUT2} = -0.8 \text{ A}$	$I_{SAOUT2}/I_{SBOUT2} = +0.5 \text{ A}$ $I_{SCOUT2}/I_{SDOUT2} = +0.8 \text{ A}$
S1 to S8	2	2	2	2
S9	ON	ON	ON	ON
S10	OFF	OFF	OFF	OFF
$V_M$	24 V	24 V	24 V	24 V
$V_{VREFAB}/V_{VREFCD}$	6 V	6 V	6 V	6 V
$V_{TEST}$	4 V	4 V	4 V	4 V
$V_{ENABLEAB}/V_{ENABLECD}$	2.1 V	2.1 V	2.1 V	2.1 V

2010-08-20		
Established	Revised	

	<h1>Product Standards</h1>	<h2>AN44071A</h2>	
		Total Pages	Page
		52	24

■ Electrical Characteristics Test Procedures (continued)

2. Test Circuit 2 (continued)

- 5) Flywheel diode forward voltage 1  $V_{DI1}$
- 6) Flywheel diode forward voltage 2  $V_{DI2}$

Measure the Flywheel diode forward voltage 1 and the Flywheel diode forward voltage 2 under the below conditions.

Measurement parameter	B No.5 (upper-side)	B No.5 (lower-side)	B No.6 (upper-side)	B No.6 (lower-side)
Applied pin	AOUT1/BOUT1 AOUT2/BOUT2	AOUT1/BOUT1 AOUT2/BOUT2	COUT1/DOUT1 COUT2/DOUT2	COUT1/DOUT1 COUT2/DOUT2
Measured voltage	$V_{AOUT1}/V_{BOUT1}$ $V_{AOUT2}/V_{BOUT2}$	$V_{AOUT1}/V_{BOUT1}$ $V_{AOUT2}/V_{BOUT2}$	$V_{COUT1}/V_{DOUT1}$ $V_{COUT2}/V_{DOUT2}$	$V_{COUT1}/V_{DOUT1}$ $V_{COUT2}/V_{DOUT2}$
Applied condition	$I_{SAOUT1}/I_{SBOUT1} = +0.5 \text{ A}$ $I_{SAOUT2}/I_{SBOUT2} = +0.5 \text{ A}$	$I_{SAOUT1}/I_{SBOUT1} = -0.5 \text{ A}$ $I_{SAOUT2}/I_{SBOUT2} = -0.5 \text{ A}$	$I_{SCOUT1}/I_{SDOUT1} = +0.8 \text{ A}$ $I_{SCOUT2}/I_{SDOUT2} = +0.8 \text{ A}$	$I_{SCOUT1}/I_{SDOUT1} = -0.8 \text{ A}$ $I_{SCOUT2}/I_{SDOUT2} = -0.8 \text{ A}$
S1 to S8	2	2	2	2
S9	ON	ON	ON	ON
S10	OFF	OFF	OFF	OFF
$V_M$	0 V	0 V	0 V	0 V
$V_{ENABLEAB}/V_{ENABLECD}$	0.6 V	0.6 V	0.6 V	0.6 V

- 7) Upper-side output OFF current  $I_{OUTOFF1}$

Measure the output OFF current ( $I_{OUTOFF1}$ ) in each output pin under the below conditions.

- 8) Lower-side output OFF current  $I_{OUTOFF2}$

When the pattern is input to ENABLE pin as follows, and AOUT1, AOUT2, BOUT1, BOUT2, COUT1, COUT2, DOUT1 and DOUT2 output High, measure the output OFF current ( $I_{OUTOFF2}$ ) in each output pin.

Measurement parameter	B No.7	B No.8
Applied pin Measurement current	AOUT1/AOUT2 BOUT1/BOUT2 COUT1/COUT2 DOUT1/DOUT2	AOUT1/AOUT2 BOUT1/BOUT2 COUT1/COUT2 DOUT1/DOUT2
Applied conditions	$V_{SAOUT1} = V_{SBOUT1} = V_{SCOUT1} = V_{SDOUT1}$ $= V_{SAOUT2} = V_{SBOUT2} = V_{SCOUT2} = V_{SDOUT2} = 0 \text{ V}$	$V_{SAOUT1} = V_{SBOUT1} = V_{SCOUT1} = V_{SDOUT1}$ $= V_{SAOUT2} = V_{SBOUT2} = V_{SCOUT2} = V_{SDOUT2} = 37 \text{ V}$
S1 to S8	1	1
S9	ON	OFF
S10	OFF	ON
$V_M$	37 V	37 V
$V_{VREFAB}/V_{VREFCD}$	5 V	5 V
$V_{TEST}$	0.6 V	Pattern
$V_{ENABLEAB}/V_{ENABLECD}$	0.6 V	Pattern

2010-08-20		
Established	Revised	

<h1>Product Standards</h1>		AN44071A	
		Total Pages	Page
		52	25

■ Technical Data

1. I/O block circuit diagrams and pin function descriptions

Note) The characteristics listed below are reference values derived from the design of the IC and are not guaranteed.

Pin No.	Waveform and voltage	Internal circuit	Impedance	Description
10	—		—	Pin10 : VBE monitor
1 3 5 24 26 28 29 31 33 52 54 56	—		—	Pin 1 : Phase D motor drive output 1 3 : Phase D motor current detection 5 : Phase D motor drive output 2 24 : Phase B motor drive output 2 26 : Phase B motor current detection 28 : Phase B motor drive output 1 29 : Phase A motor drive output 2 31 : Phase A motor current detection 33 : Phase A motor drive output 1 52 : Phase C motor drive output 1 54 : Phase C motor current detection 56 : Phase C motor drive output 2

2010-08-20		
Established	Revised	

	<h1>Product Standards</h1>	<h2>AN44071A</h2>	
		Total Pages	Page
		52	26

■ Technical Data (continued)

1. I/O block circuit diagrams and pin function descriptions (continued)

Note) The characteristics listed below are reference values derived from the design of the IC and are not guaranteed.

Pin No.	Waveform and voltage	Internal circuit	Impedance	Description
16	—		—	Pin 16 : Capacitor connection 1 for charge pump
17 18	—		—	Pin 17 : Capacitor connection 2 for charge pump 18 : Charge pump circuit output

2010-08-20		
Established	Revised	

<h1>Product Standards</h1>		AN44071A	
		Total Pages	Page
		52	27

■ Technical Data (continued)

1. I/O block circuit diagrams and pin function descriptions (continued)

Note) The characteristics listed below are reference values derived from the design of the IC and are not guaranteed.

Pin No.	Waveform and voltage	Internal circuit	Impedance	Description
35 36 37 38 39 40 45 46 47 48 49 50	—	<p>Pin 40 ENABLEAB, Pin 45 ENABLECD  Pin 39 CLKAB, Pin 46 CLKCD  Pin 37 ST3AB, Pin 48 ST3CD  Pin 36 ST2AB, Pin 49 ST2CD  Pin 35 ST1AB, Pin 50 ST1CD  Pin 38 DIRAB, Pin 47 DIRCD</p>	100 kΩ	<p>Pin 40, 45 : Enable / disable CTL  Pin 39, 46 : Clock input  Pin 37, 48 : Excitation selection 3  Pin 36, 49 : Excitation selection 2  Pin 35, 50 : Excitation selection 1  Pin 38, 47 : Rotation direction setup</p>
44	—	<p>STBY</p>	100 kΩ	<p>Pin 44 : Standby</p>

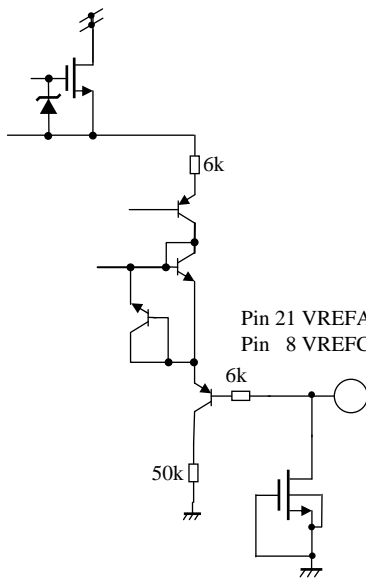
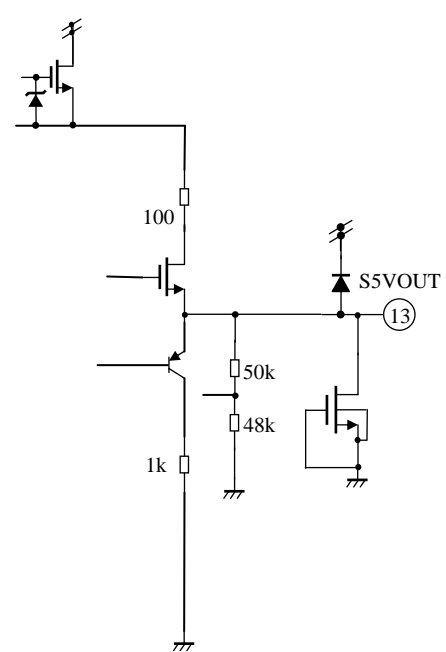
2010-08-20		
Established	Revised	

	<h1>Product Standards</h1>	<h2>AN44071A</h2>	
		Total Pages	Page
		52	28

■ Technical Data (continued)

1. I/O block circuit diagrams and pin function descriptions (continued)

Note) The characteristics listed below are reference values derived from the design of the IC and are not guaranteed.

Pin No.	Waveform and voltage	Internal circuit	Impedance	Description
8 21	—	 <p>Pin 21 VREFAB Pin 8 VREFCD</p>	—	Pin 21, 8 : Torque reference voltage input
13	—	 <p>S5VOUT (13)</p>	—	Pin 13 : Internal reference voltage (output 5 V)

2010-08-20		
Established	Revised	

<h1>Product Standards</h1>		AN44071A	
		Total Pages	Page
		52	29

■ Technical Data (continued)

1. I/O block circuit diagrams and pin function descriptions (continued)

Note) The characteristics listed below are reference values derived from the design of the IC and are not guaranteed.

Pin No.	Waveform and voltage	Internal circuit	Impedance	Description
12	—		100 kΩ	Pin 12 : Test mode setup
7 22	—		—	Pin 7, 22 : PWM OFF period setup

2010-08-20		
Established	Revised	

	<h1>Product Standards</h1>	<h2>AN44071A</h2>	
		Total Pages	Page
		52	30

■ Technical Data (continued)

1. I/O block circuit diagrams and pin function descriptions (continued)

Note) The characteristics listed below are reference values derived from the design of the IC and are not guaranteed.

Pin No.	Waveform and voltage	Internal circuit	Impedance	Description
9 11 20	—	<p>Pin 9 STPHCD Pin 11 NFAULT Pin 20 STPHAB</p>	—	<p>Pin 9, 20 : Home Position / Step detection signal output Pin 11 : Abnormal detection output</p>
6 23 34 51	—	<p>Pin 6 DECAY1CD Pin 23 DECAY1AB Pin 34 DECAY2AB Pin 51 DECAY2CD</p>	100 kΩ	<p>Pin 6, 23, 34, 51 : Mix DECAY setup</p>

2010-08-20		
Established	Revised	

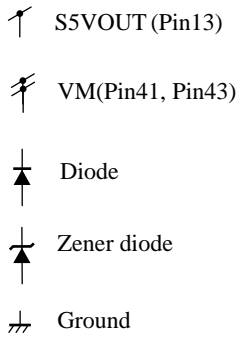







	<h1>Product Standards</h1>	<h2>AN44071A</h2>	
		Total Pages	Page
		52	31

■ Technical Data (continued)

1. I/O block circuit diagrams and pin function descriptions (continued)

Note) The characteristics listed below are reference values derived from the design of the IC and are not guaranteed.

Pin No.	Waveform and voltage	Internal circuit	Impedance	Description
—	—	 <p>  S5VOUT (Pin13)   VM(Pin41, Pin43)   Diode   Zener diode   Ground         </p>	—	—

2010-08-20		
Established	Revised	

<h1 style="margin: 0;">Product Standards</h1>		AN44071A	
		Total Pages	Page
		52	32

■ Technical Data (continued)

2. Control mode

Note) \* is AB or CD.

1) Truth table (Excitation select)

ENABLE*	DIR*	ST1*	ST2*	ST3*	Output excitation mode	
Low	—	—	—	—	—	Output OFF
High	Low	Low	Low	Low	Phase B/D 90° delay to phase A/C	2-phase excitation drive (4-step sequence)
High	Low	Low	High	Low		Half step drive (8-step sequence)
High	Low	High	Low	Low		1-2 phase excitation drive (8-step sequence)
High	Low	High	High	Low		W1-2 phase excitation drive (16-step sequence)
High	Low	—	—	High		2W1-2 phase excitation drive (32-step sequence)
High	High	Low	Low	Low	Phase B/D 90° advance to phase A/C	2-phase excitation drive (4-step sequence)
High	High	Low	High	Low		Half step drive (8-step sequence)
High	High	High	Low	Low		1-2 phase excitation drive (8-step sequence)
High	High	High	High	Low		W1-2 phase excitation drive (16-step sequence)
High	High	—	—	High		2W1-2 phase excitation drive (32-step sequence)

2) Truth table (Control / Charge pump circuit)

STBY	ENABLE*	Control / Charge pump circuit	Output transistor
Low	—	OFF	All channel output : OFF
High (*3)	Low	ON	OFF (*4)
High (*3)	High	ON	ON

3) Truth table (PWM OFF period selection)

PWMSW*	PWM OFF period (*5)
Low	28.0 μs
Middle	8.1 μs
High	15.2 μs

4) Truth table (Decay selection)

DECAY1*	DECAY2*	Decay control (*6)
Low	Low	Slow Decay
Low	High	25%
High	Low	50%
High	High	100%

5) Truth table (STPH output selection)

TEST	STPH* output
Low	STEP detection output
High	Home Position output

Note) The above rate is applied to Fast Decay every PWM OFF period.

6) Truth table (NFAULT output)

TSD (*1)	OCP (*2)	NFAULT	Output transistor
Thermal shutdown protection start	—	Low	All channel output : OFF
—	Over-current detection start	Low	All channel output : OFF
Thermal shutdown protection stop	Over-current detection stop	Hi-Z	ON

Notes) \*1 : TSD is a latch type protection

→ The protection operation starts at 150°C. (All motor outputs are turned off , and latched.) / The latch is released by Standby or UVLO.

\*2 : OCP is a latch type protection

→ All motor outputs are turned off by over-current detection, and be latched. / The latch is released by Standby or UVLO.

In addition, All motor outputs are turned off at under UVLO.

\*3 : Input external signals to STBY pin in order to set STBY signal to High-level.

Because, STBY pin cannot be set to High-level when it is connected to S5VOUT(Pin13).

\*4 : The output transistors of AB/CD channel are controlled by ENABLEAB/CD respectively.

\*5 : The PWM OFF intervals of AB/CD channel are set by PWMSWAB/CD respectively.

\*6 : The Decay controls of AB/CD channel are set by DECAY1AB/CD ( DECAY2AB/CD) respectively.

2010-08-20		
Established	Revised	

	<b>Product Standards</b>	<b>AN44071A</b>	
		Total Pages	Page
		52	33

■ Technical Data (continued)

3. Each phase current value

1) 1-2 phase, W1-2 phase, 2W1-2 phase DIRAB / DIRCD = Low

Note) The definition of Phase A, B, C and D current "100%" :  $(VREFAB(VREFCD) \times 0.1) / \text{Motor current detection resistance}$

1-2 phase (8-Step)	W1-2 phase (16- Step)	2W1-2 phase (32-Step)	A/C phase current (%)	B/D phase current (%)
1	1	1	70.7	-70.7
—	—	2	83.2	-55.6
—	2	3	92.4	-38.3
—	—	4	98.1	-19.5
2	3	5	100	0
—	—	6	98.1	19.5
—	4	7	92.4	38.3
—	—	8	83.2	55.6
3	5	9	70.7	70.7
—	—	10	55.6	83.2
—	6	11	38.3	92.4
—	—	12	19.5	98.1
4	7	13	0	100
—	—	14	-19.5	98.1
—	8	15	-38.3	92.4
—	—	16	-55.6	83.2
5	9	17	-70.7	70.7
—	—	18	-83.2	55.6
—	10	19	-92.4	38.3
—	—	20	-98.1	19.5
6	11	21	-100	0
—	—	22	-98.1	-19.5
—	12	23	-92.4	-38.3
—	—	24	-83.2	-55.6
7	13	25	-70.7	-70.7
—	—	26	-55.6	-83.2
—	14	27	-38.3	-92.4
—	—	28	-19.5	-98.1
8	15	29	0	-100
—	—	30	19.5	-98.1
—	16	31	38.3	-92.4
—	—	32	55.6	-83.2

2010-08-20		
Established	Revised	

	<b>Product Standards</b>	<b>AN44071A</b>	
		Total Pages	Page
		52	34

■ Technical Data (continued)

3. Each phase current value (continued)

2) 1-2 phase, W1-2 phase, 2W1-2 phase DIRAB / DIRCD = High

Note) The definition of Phase A, B, C and D current "100%" :  $(VREFAB(VREFCD) \times 0.1) / \text{Motor current detection resistance}$

1-2 phase (8-Step)	W1-2 phase (16-Step)	2W1-2 phase (32-Step)	A/C phase current (%)	B/D phase current (%)
1	1	1	70.7	-70.7
—	—	2	55.6	-83.2
—	2	3	38.3	-92.4
—	—	4	19.5	-98.1
2	3	5	0	-100
—	—	6	-19.5	-98.1
—	4	7	-38.3	-92.4
—	—	8	-55.6	-83.2
3	5	9	-70.7	-70.7
—	—	10	-83.2	-55.6
—	6	11	-92.4	-38.3
—	—	12	-98.1	-19.5
4	7	13	-100	0
—	—	14	-98.1	19.5
—	8	15	-92.4	38.3
—	—	16	-83.2	55.6
5	9	17	-70.7	70.7
—	—	18	-55.6	83.2
—	10	19	-38.3	92.4
—	—	20	-19.5	98.1
6	11	21	0	100
—	—	22	19.5	98.1
—	12	23	38.3	92.4
—	—	24	55.6	83.2
7	13	25	70.7	70.7
—	—	26	83.2	55.6
—	14	27	92.4	38.3
—	—	28	98.1	19.5
8	15	29	100	0
—	—	30	98.1	-19.5
—	16	31	92.4	-38.3
—	—	32	83.2	-55.6

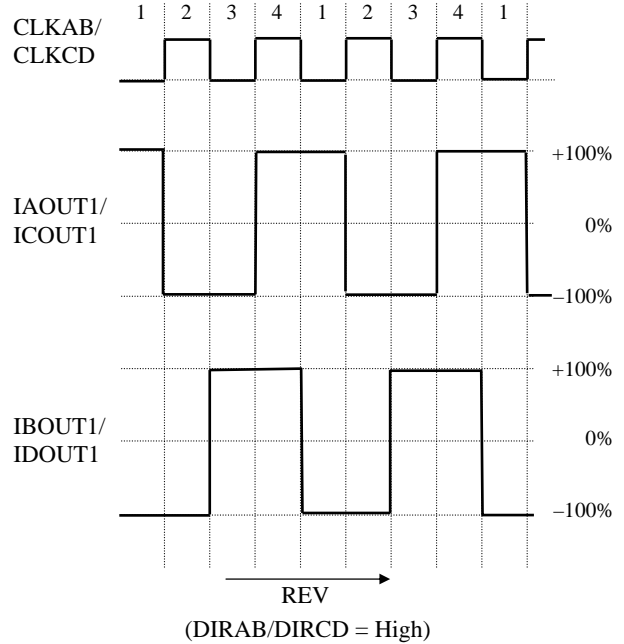
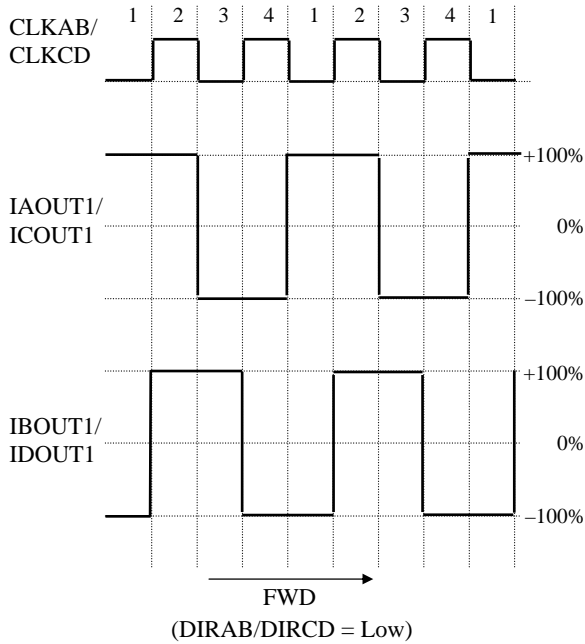
2010-08-20		
Established	Revised	

■ Technical Data (continued)

4. Each phase current value (Timing chart)

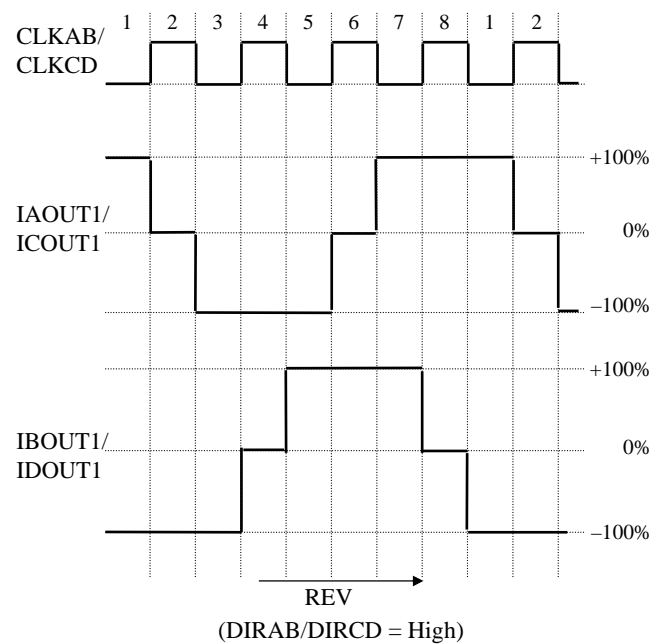
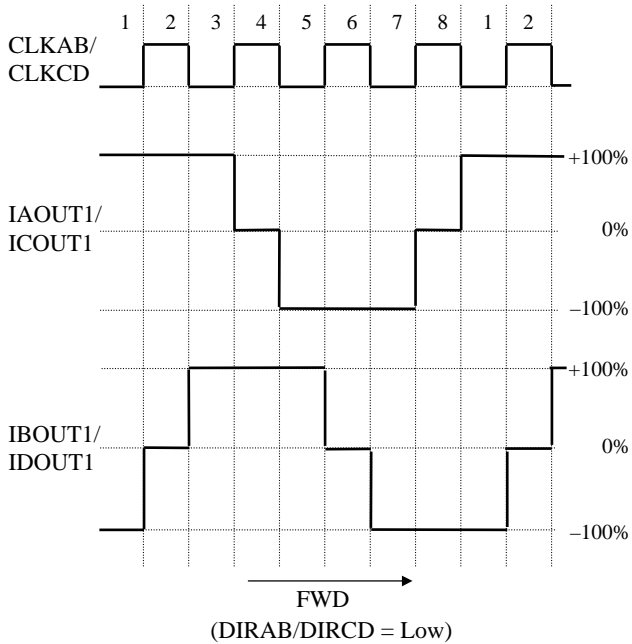
1) 2-phase excitation drive (4-step sequence)

(ST1AB/ST1CD = Low, ST2AB/ST2CD = Low, ST3AB/ST3CD = Low)



2) Half step drive (8-step sequence)

(ST1AB/ST1CD = Low, ST2AB/ST2CD = High, ST3AB/ST3CD = Low)



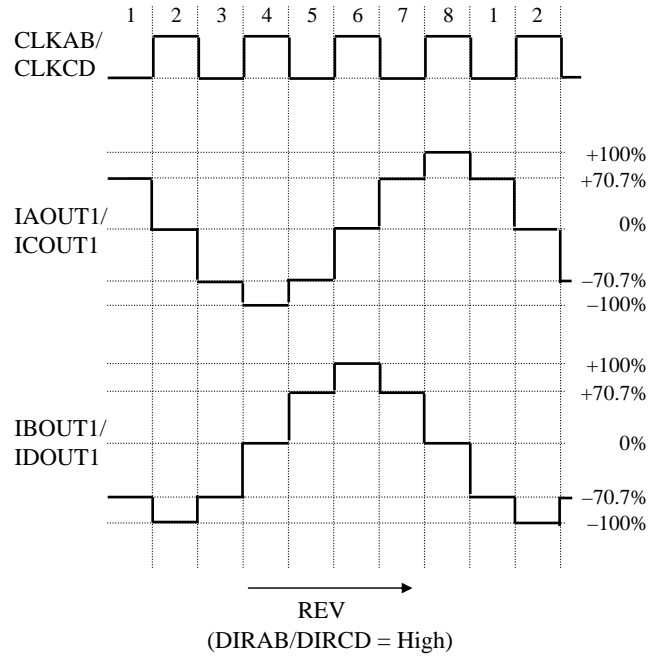
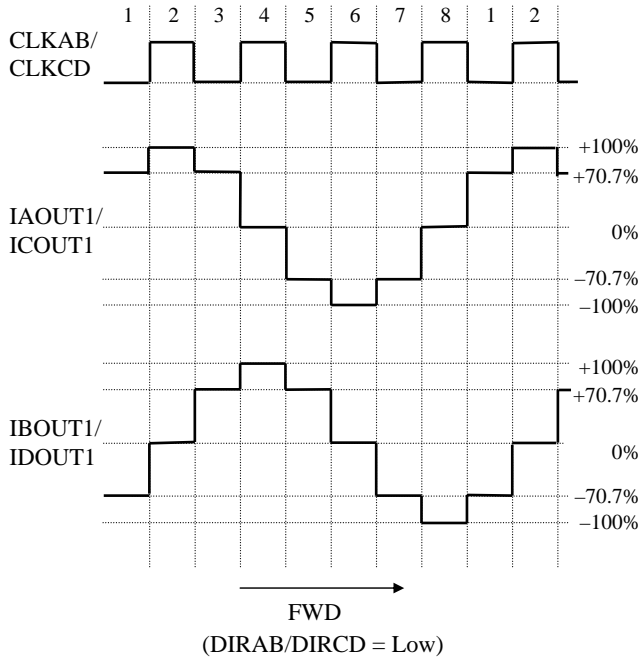
2010-08-20		
Established	Revised	

■ Technical Data (continued)

4. Each phase current value (Timing chart) (continued)

3) 1-2-phase excitation (8-step sequence)

(ST1AB/ST1CD = High, ST2AB/ST2CD = Low, ST3AB/ST3CD = Low)



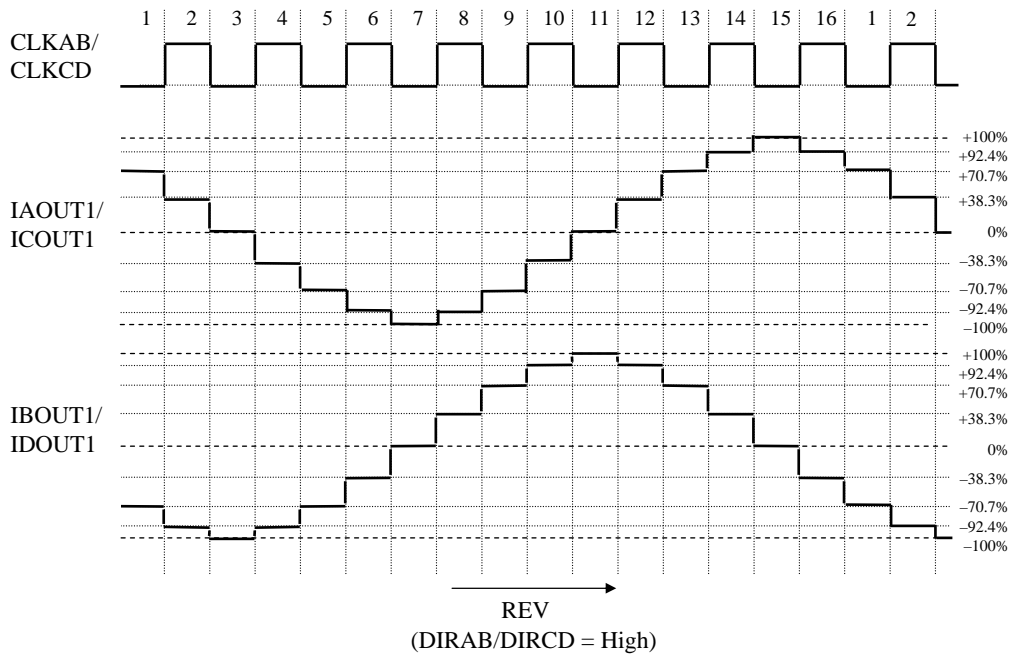
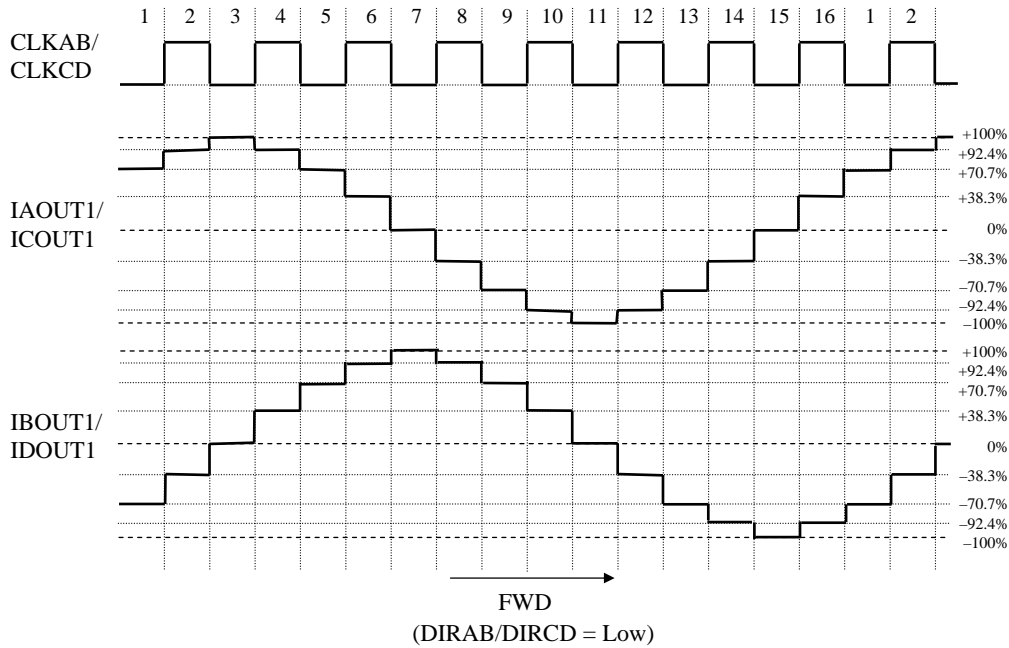
2010-08-20		
Established	Revised	

■ Technical Data (continued)

4. Each phase current value (Timing chart) (continued)

4) W1-2-phase excitation (16-step sequence)

(ST1AB/ST1CD = High, ST2AB/ST2CD = High, ST3AB/ST3CD = Low)

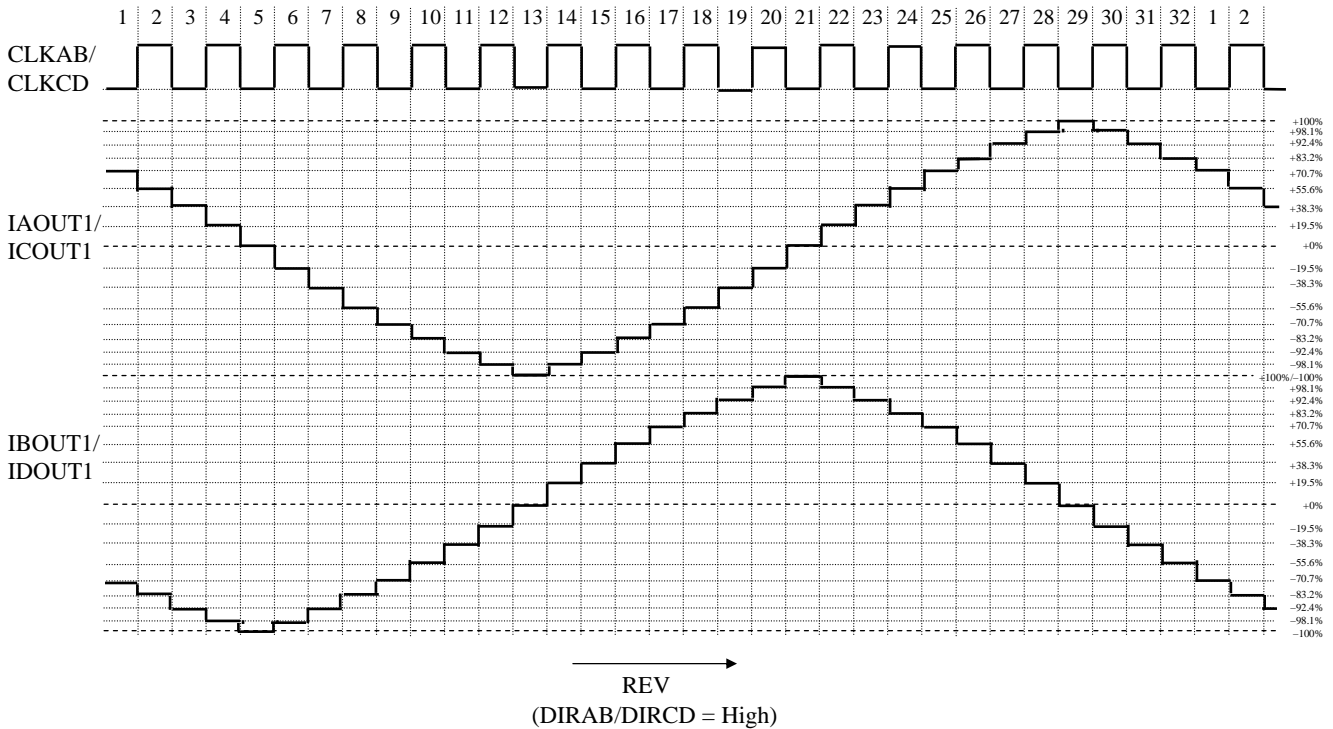
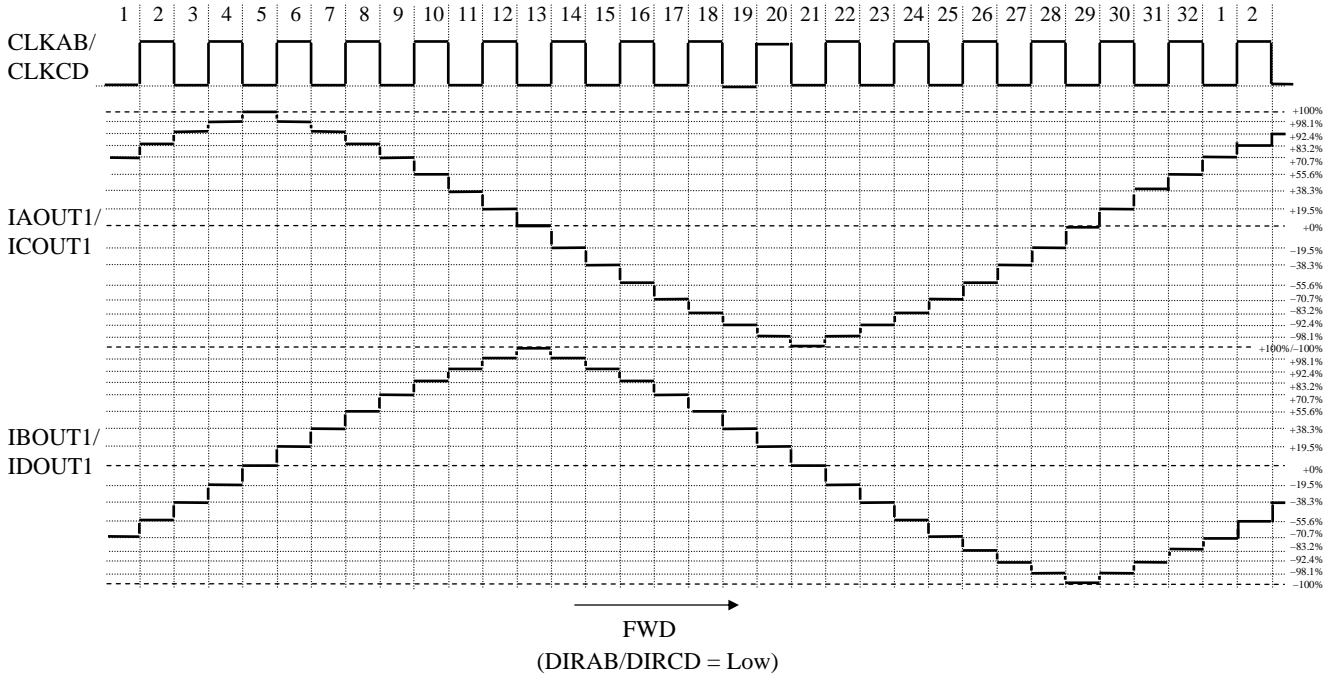


2010-08-20		
Established	Revised	

■ Technical Data (continued)

4. Each phase current value (Timing chart) (continued)

5) 2W1-2-phase excitation (32-step sequence)  
(ST3AB/ST3CD = High)



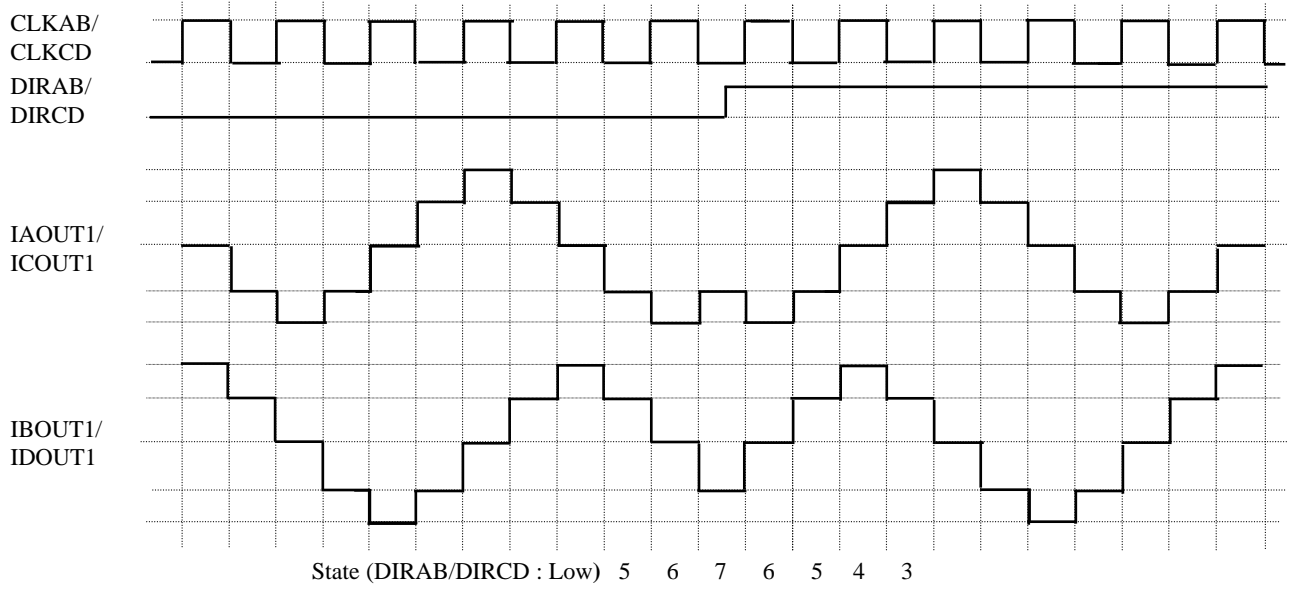
2010-08-20		
Established	Revised	



■ Technical Data (continued)

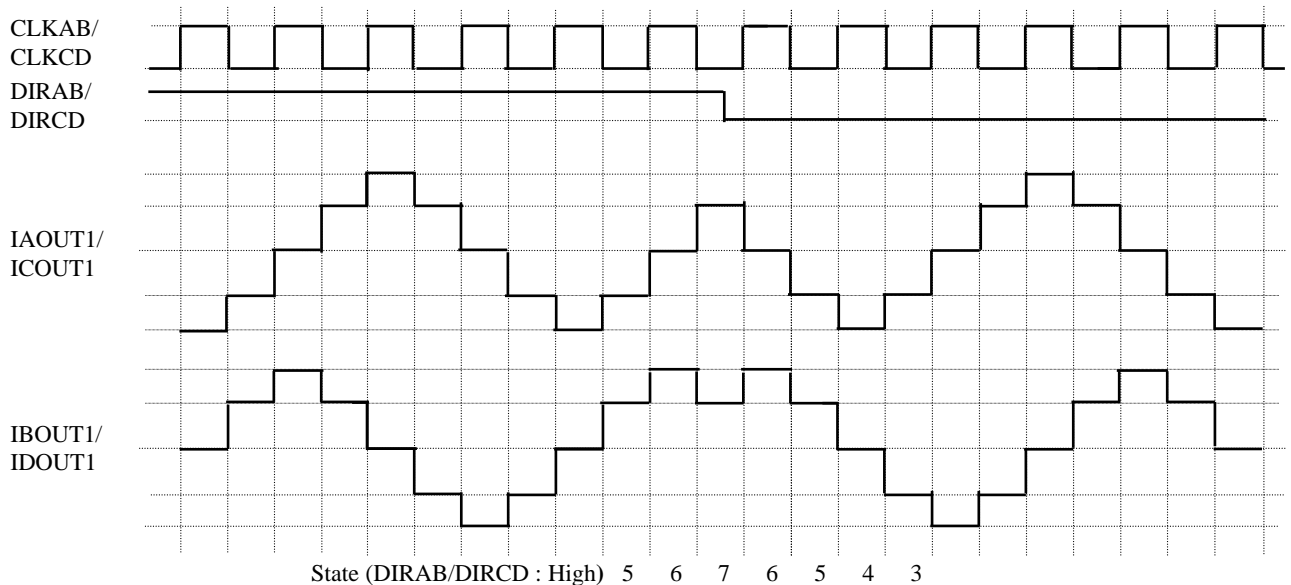
5. Timing chart when DIR switches

(Example 1) Timing chart at 1-2-phase excitation (DIRAB/DIRCD : Low → High)



When DIRAB(DIRCD) switches, the state before switching is kept and operates continuously.

(Example 2) Timing chart at 1-2-phase excitation (DIRAB/DIRCD : High → Low)



When DIRAB(DIRCD) switches, the state before switching is kept and operates continuously.

2010-08-20		
Established	Revised	

	<h1>Product Standards</h1>	AN44071A	
		Total Pages	Page
		52	40

■ Technical Data (continued)

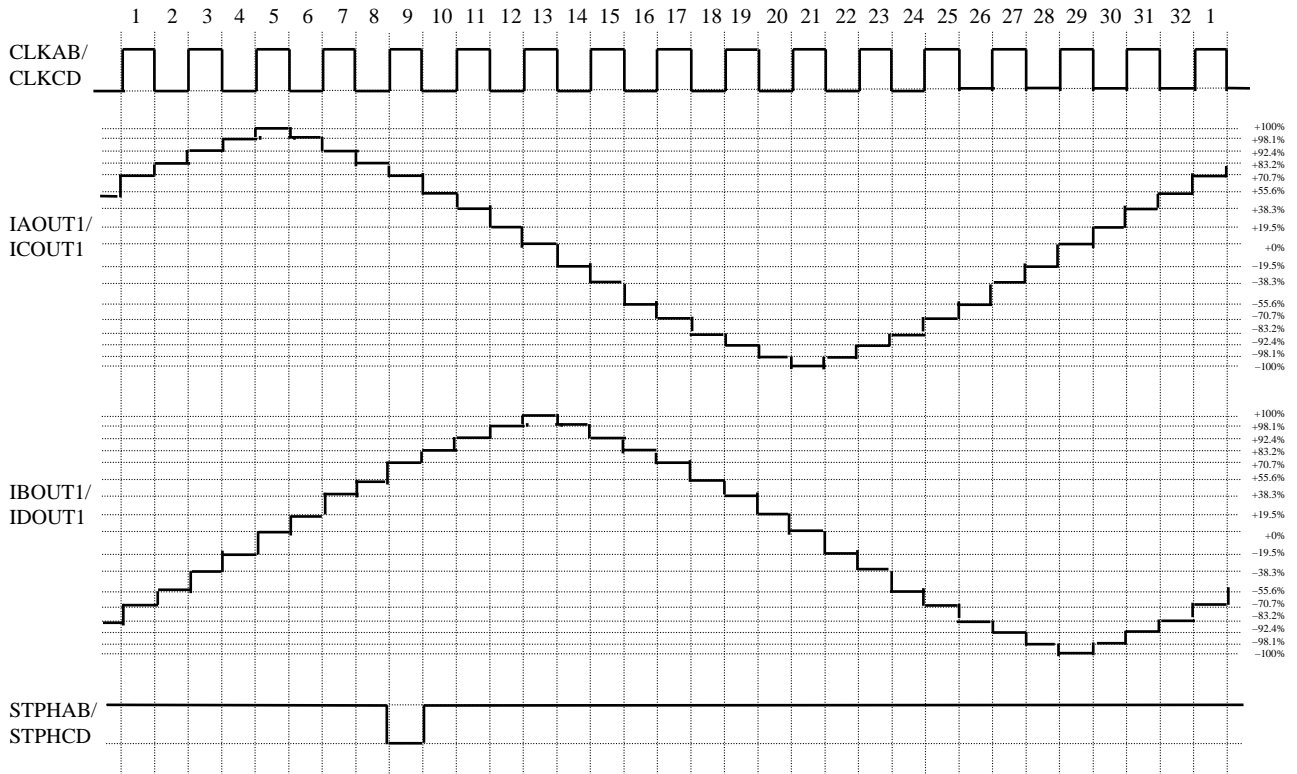
6. Home Position function (TEST = High)

This LSI has built-in Home Position function to reduce the displacement of motor current state at the change of excitation mode during motor drive. Low-level voltage is output to STPHAB pin and STPHCD pin at the timing when the displacement of motor current state doesn't occur at the change of excitation mode. The timing when Low-level voltage is output to STPHAB pin and STPHCD pin is as follows. The Home Position function becomes valid by setting TEST pin to High.

Connect pull-up resistor to power supply (recommendation : S5VOUT), because STPHAB pin and STPHCD pin are composed by open drain circuit. The recommended value of pull-up resistor is 10 kΩ.

- Home Position output timing chart (DIRAB / DIRCD = Low)

1) 2W1-2-phase excitation



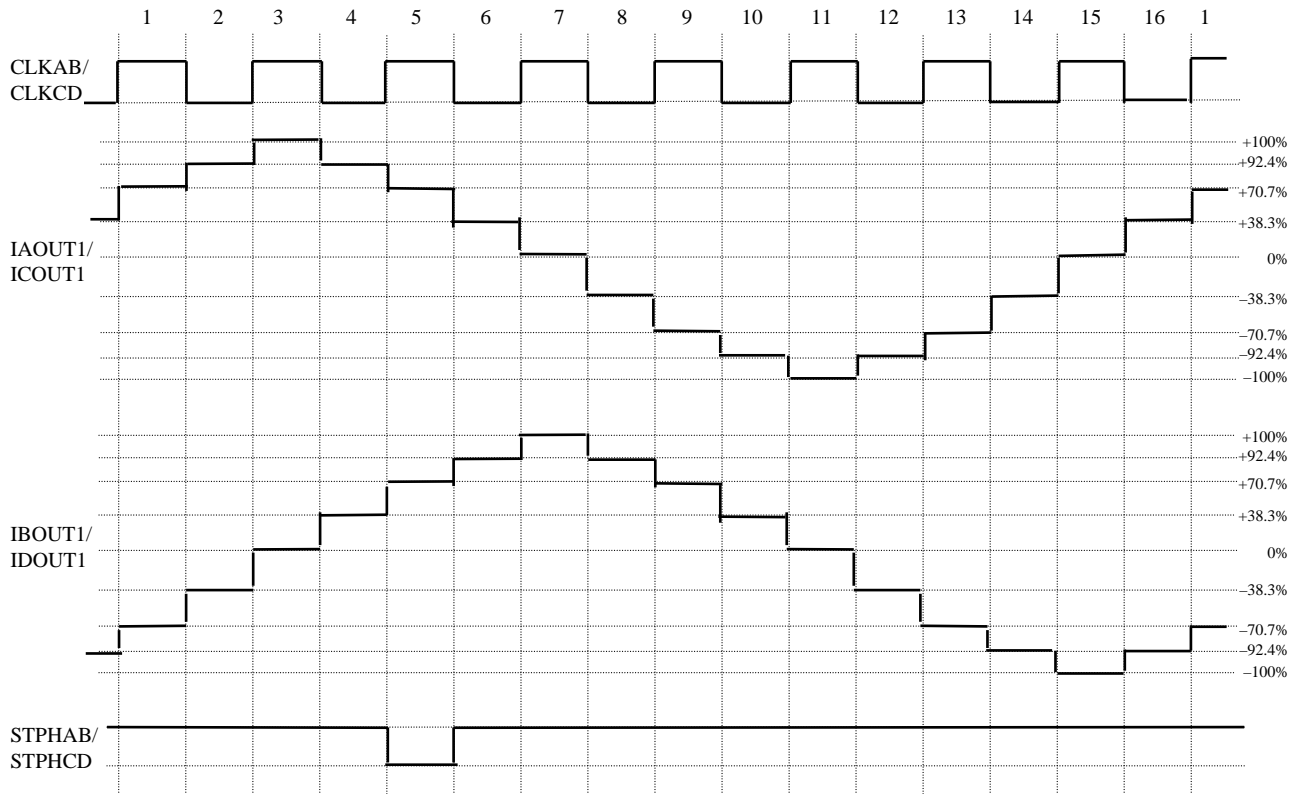
2010-08-20		
Established	Revised	

■ Technical Data (continued)

6. Home Position function (TEST = High) (continued)

- Home Position output timing chart (DIRAB / DIRCD = Low) (continued)

2) W1-2-phase excitation



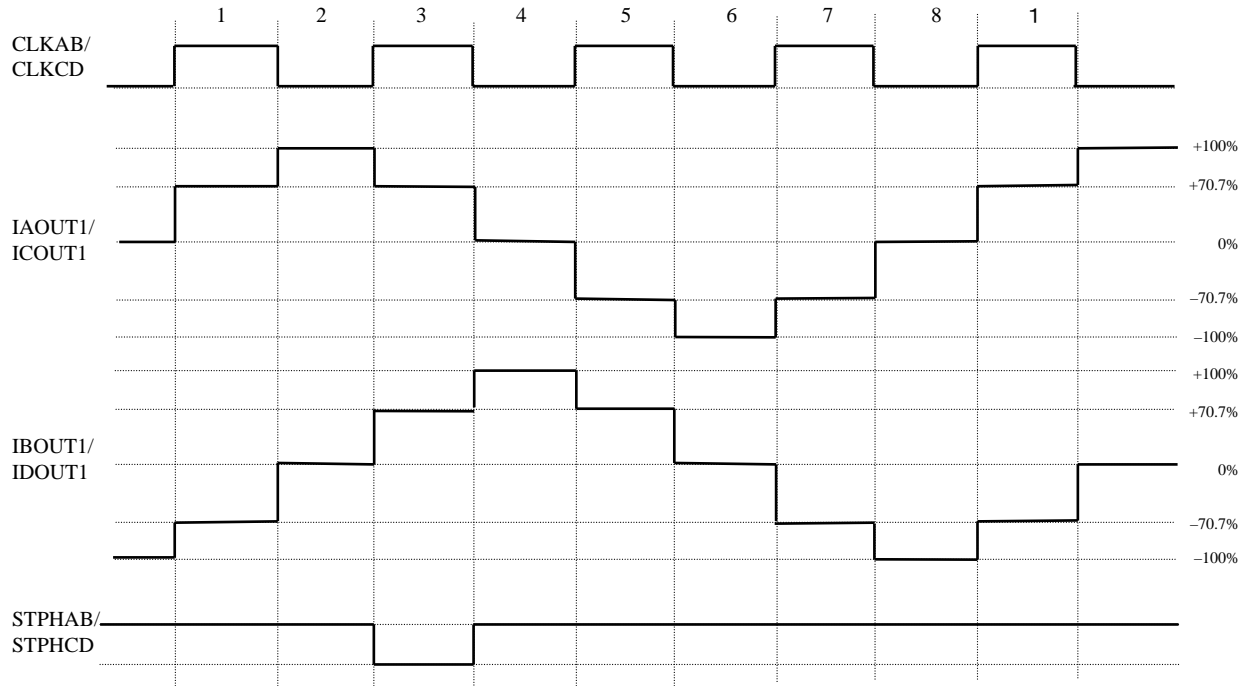
2010-08-20		
Established	Revised	

■ Technical Data (continued)

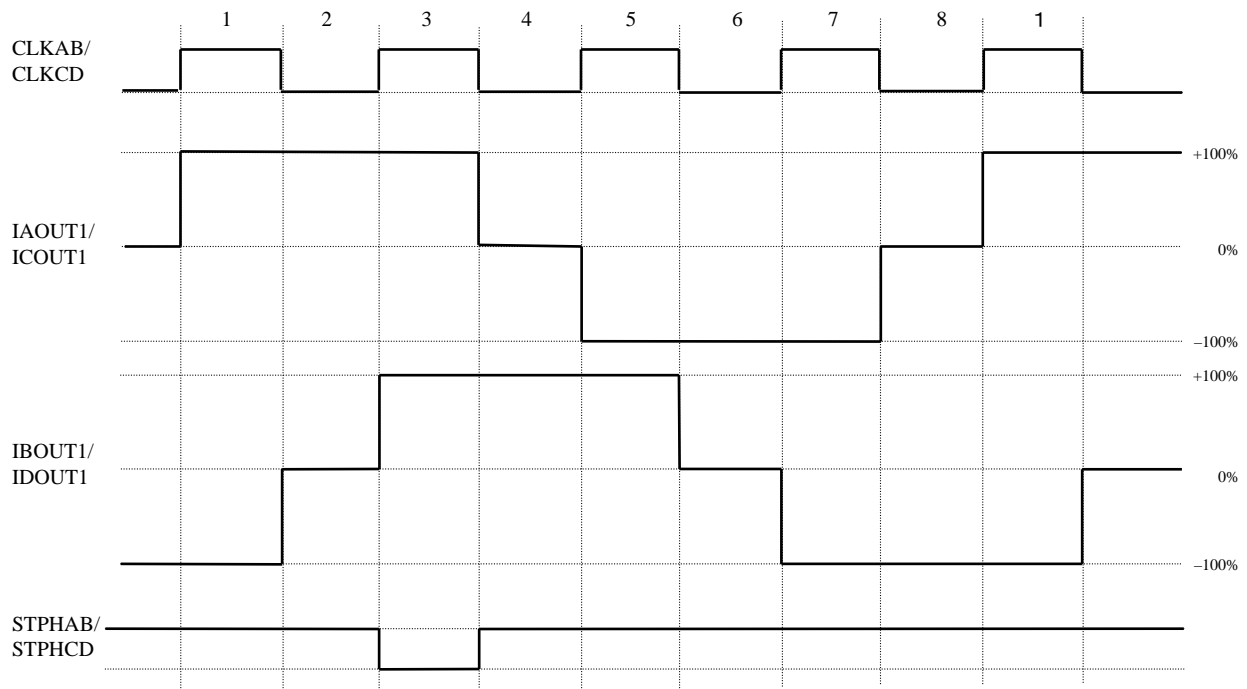
6. Home Position function (TEST = High) (continued)

- Home Position output timing chart (DIRAB / DIRCD = Low) (continued)

3) 1-2-phase excitation



4) Half step



2010-08-20		
Established	Revised	

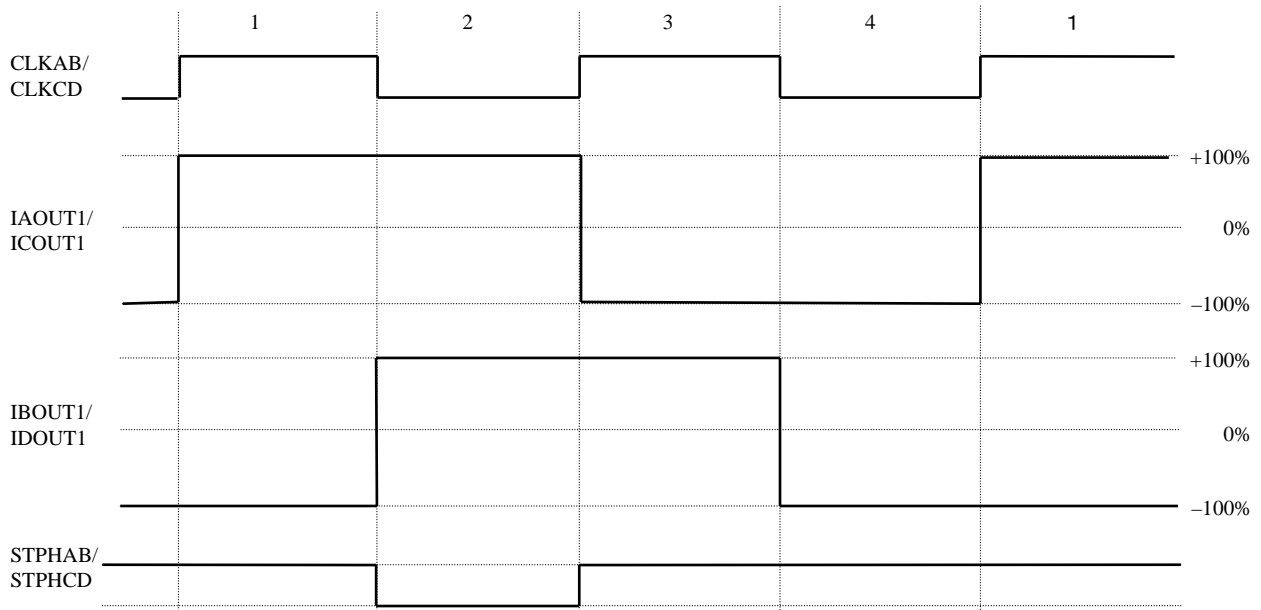
	<h1>Product Standards</h1>	<h2>AN44071A</h2>	
		Total Pages	Page
		52	43

■ Technical Data (continued)

6. Home Position function (TEST = High) (continued)

- Home Position output timing chart (DIRAB / DIRCD = Low) (continued)

5) 2-phase excitation



2010-08-20		
Established	Revised	

■ Technical Data (continued)

7. STEP detection output function (TEST = Low)

Whenever edges signal is input into clock input pins, this IC outputs Low pulse signal from step detection output pins. The Low pulse width depend on each excitation mode. Refer to the below table. The STEP detection function becomes valid by setting TEST pin to Low. Connect pull-up resistor to supply voltage (Recommendation : S5VOUT), because STPHAB pin and STPHCD pin are composed by open drain circuit. The recommended value of pull-up resistor is 10 kΩ.

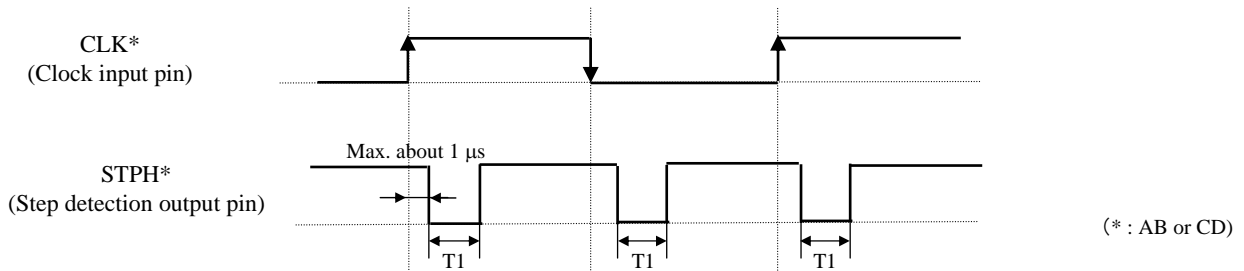


Table Step detection output pulse width

	2-phase excitation	Half step / 1-2 phase excitation	W1-2-phase excitation	2W1-2-phase excitation
Pulse width (T1)	About 20 μs	About 20 μs	About 10 μs	About 5 μs

8. Over-current protection function

This IC has over-current protection (OCP) circuit to protect from the ground-fault etc. of the motor output. When motor current more than setting value flows to power MOS for about 3.8 μs (Typ.) due to the ground-fault, all motor outputs are turned OFF by latch operation. OCP is canceled by STBY = Low or UVLO (Under-voltage lockout) operation. However, the OCP circuit do not guaranteed the protection circuit of set. Therefore, do not use the OCP function of this IC to protect a set. Note that this IC might break before the protection function operates when it instantaneously exceeds the safe operation area and the maximum rating. When the inductor element is large due to the length of wiring at ground-fault, note that this IC might break. Because the motor output voltage falls on a negative voltage or excessively rises after motor current excessively flows to motor outputs. The setup current of the OCP (reference) is as follows.

Table Over-current protection setup current (Typ. value)

	A/Bch motor output	C/Dch motor output
Setup current	2.2 A	3.3 A

9. About inputting the supply voltage to IF pins when VM power supply is not applied.

This IC does the measures of error for inputting voltage to IF pins when VM power supply is not applied.

IF pin : ENABLE\*, DIR\*, ST1\*, ST2\*, ST3\*, CLK\*, STBY, VREF\* (\* : AB or CD)

Therefore, this IC doesn't break and it doesn't cause error operation by the input voltage to the IF pins when VM supply voltage is not supplied.

2010-08-20		
Established	Revised	

	<h1>Product Standards</h1>	<h2>AN44071A</h2>	
		Total Pages	Page
		52	45

### ■ Usage Notes

#### 1. Special attention and precaution in using

1) This IC is intended to be used for general electronic equipment [Stepping motor drive].

Consult our sales staff in advance for information on the following applications:

- Special applications in which exceptional quality and reliability are required, or if the failure or malfunction of this IC may directly jeopardize life or harm the human body.
- Any applications other than the standard applications intended.
  - (1) Space appliance (such as artificial satellite, and rocket)
  - (2) Traffic control equipment (such as for automobile, airplane, train, and ship)
  - (3) Medical equipment for life support
  - (4) Submarine transponder
  - (5) Control equipment for power plant
  - (6) Disaster prevention and security device
  - (7) Weapon
  - (8) Others : Applications of which reliability equivalent to (1) to (7) is required

It is to be understood that our company shall not be held responsible for any damage incurred as a result of or in connection with your using the IC described in this book for any special application, unless our company agrees to your using the IC in this book for any special application.

- 2) Pay attention to the direction of LSI. When mounting it in the wrong direction onto the PCB (printed-circuit-board), it might smoke or ignite.
- 3) Pay attention in the PCB (printed-circuit-board) pattern layout in order to prevent damage due to short circuit between pins. In addition, refer to the Pin Description for the pin configuration.
- 4) Perform a visual inspection on the PCB before applying power, otherwise damage might happen due to problems such as a solder-bridge between the pins of the semiconductor device. Also, perform a full technical verification on the assembly quality, because the same damage possibly can happen due to conductive substances, such as solder ball, that adhere to the LSI during transportation.
- 5) Take notice in the use of this product that it might break or occasionally smoke when an abnormal state occurs such as output pin- $V_M$  short (Power supply fault), output pin-GND short (Ground fault), or output-to-output-pin short (load short) .  
Especially, for the pins below, take notice Power supply fault, Ground fault, short to motor current detection pin, load short and short between the pin.
  - Motor drive output pin (Pin 1, 5, 24, 28, 29, 33, 52, 56)
  - Motor current detection pin (Pin 3, 26, 31, 54)
  - Charge pump circuit pin (Pin 16, 17, 18)
  - Power supply (Pin 41, 43)

And, safety measures such as an installation of fuses are recommended because the extent of the above-mentioned damage and smoke emission will depend on the current capability of the power supply.
- 6) When designing your equipment, comply with the range of absolute maximum rating and the guaranteed operating conditions (operating power supply voltage and operating environment etc.). Especially, please be careful not to exceed the range of absolute maximum rating on the transient state, such as power-on, power-off and mode-switching. Otherwise, we will not be liable for any defect which may arise later in your equipment.  
Even when the products are used within the guaranteed values, take into the consideration of incidence of break down and failure mode, possible to occur to semiconductor products. Measures on the systems such as redundant design, arresting the spread of fire or preventing glitch are recommended in order to prevent physical injury, fire, social damages, for example, by using the products.
- 7) When using the LSI for new models, verify the safety including the long-term reliability for each product.
- 8) When the application system is designed by using this LSI, be sure to confirm notes in this book.  
Be sure to read the notes to descriptions and the usage notes in the book.
- 9) Connect the metallic plate (fin) on the back side of the IC with the GND potential. The thermal resistance and the electrical characteristics are guaranteed only when the metallic plate (fin) is connected with the GND potential.
- 10) Confirm characteristics fully when using the LSI.  
Secure adequate margin after considering variation of external part and this IC including not only static characteristics but transient characteristics. Especially, Pay attention that abnormal current or voltage must not be applied to external parts because the pins (Pin 1, 5, 16, 17, 18, 24, 28, 29, 33, 52, 56) output high current or voltage.

2010-08-20		
Established	Revised	

	<h1>Product Standards</h1>	<h2>AN44071A</h2>	
		Total Pages	Page
		52	46

■ Usage Notes (continued)

2. Notes of Power LSI.

- 1) Design the heat radiation with sufficient margin so that Power dissipation must not be exceeded base on the conditions of power supply voltage, load and ambient temperature.  
(It is recommended to design to set connective parts to 70% to 80% of maximum rating)
- 2) The protection circuit is for maintaining safety against abnormal operation. Therefore, the protection circuit should not work during normal operation.  
Especially for the thermal protection circuit, if the area of safe operation or the absolute maximum rating is momentarily exceeded due to output pin to VM short (Power supply fault), or output pin to GND short (Ground fault), the LSI might be damaged before the thermal protection circuit could operate.
- 3) Unless specified in the product specifications, make sure that negative voltage or excessive voltage are not applied to the pins because the device might be damaged, which could happen due to negative voltage or excessive voltage generated during the ON and OFF timing when the inductive load of a motor coil or actuator coils of optical pick-up is being driven.
- 4) The product which has specified ASO (Area of Safe Operation) should be operated in ASO.
- 5) Verify the risks which might be caused by malfunctions of external parts.
- 6) Set capacitance value between VPUMP and GND so that VPUMP (Pin 18) must not exceed 43 V transiently at the time of motor standby to motor start.
- 7) This IC employs a PWM drive method that switches the high-current output of the output transistor. Therefore, the IC is apt to generate noise that may cause the IC to malfunction or have fatal damage. To prevent these problems, the power supply must be stable enough. Therefore, the capacitance between the S5VOUT and GND pins must be 0.1 μF and the one between the VM and GND pins must be a minimum of 47 μF and as close as possible to the IC so that PWM noise will not cause the IC to malfunction or have fatal damage.

2010-08-20		
Established	Revised	



	Product Standards	AN44071A	
		Total Pages	Page
		52	47

■ Usage Notes (continued)

3. Notes of this IC

1) Pulse blanking time

This IC has pulse blanking time ( $0.7 \mu\text{s}/\text{Typ. value}$ ) to prevent erroneous current detection caused by noise. Therefore, the motor current value will not be less than current determined by pulse blanking time. Pay attention at the time of low current control. The relation between pulse blanking time and minimum current value is shown as Chart 1. In addition, increase-decrease of motor current value is determined by L value, wire wound resistance, induced voltage and PWM on Duty inside a motor.

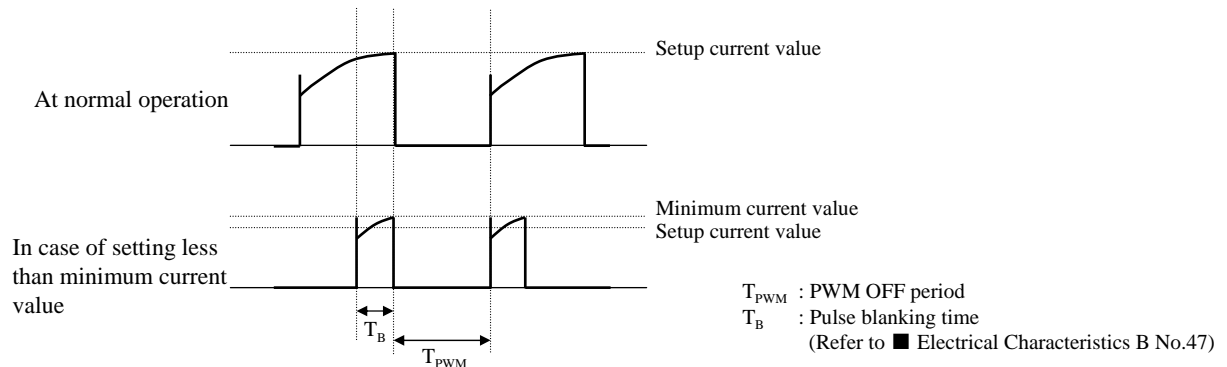


Chart 1. RCS current waveform

2) VREF voltage

When VREF\* voltage is set to Low-level, erroneous detection of current might be caused by noise because threshold of motor current detection comparator becomes low ( $= VREF/10 \times \text{motor current ratio} [\%]$ ) (Refer to Page 33, 34). Use this IC after confirming no misdetection with setup VREF\* voltage.

If VREF\* pin is open, input voltage might be irregular and rise, a large current might flow to the output. Therefore do not use on condition that VREF\* pin is open. (\* : AB or CD)

3) Notes on interface

Absolute maximum of Pin 6 to 8, Pin 12, Pin 21 to 23, Pin 34 to 40 and Pin 44 to 51 is  $-0.3 \text{ V}$  to  $6 \text{ V}$ . When the setup current for a motor is large and lead line of GND is long, GND pin potential might rise. Take notice that interface pin potential is negative to difference in potential between GND pin reference and interface pin in spite of inputting  $0 \text{ V}$  to the interface pin. At that time, pay attention allowable voltage range must not be exceeded.

4) Notes on test mode

When inputting voltage of above  $0.6 \text{ V}$  and below  $4.0 \text{ V}$  to TEST (Pin 12), this LSI might become test mode.

When disturbance noise etc. makes this LSI test mode, motor might not operate normally. Therefore, use this LSI on condition that TEST pin is shorted to GND or S5VOUT at normal motor operation.

2010-08-20		
Established	Revised	

	Product Standards	AN44071A	
		Total Pages	Page
		52	48

■ Usage Notes (continued)

3. Notes of this IC (continued)

5) Notes on Standby mode release / Under-voltage lockout release

This LSI has all motor outputs OFF period of about 100  $\mu$ s (typ) owing to release of Standby and UVLO (Refer to the below figure).

This is why restart from Standby and UVLO after charge pump voltage rises sufficiently because charge pump operation stops at Standby and UVLO.

When the charge pump voltage does not rise sufficiently during all motor outputs OFF period due to that capacitance between VPUMP and GND becomes large etc., the IC might overheat and it might not operate normally. In this case, release Standby and UVLO at ENABLE = Low-level, and restart at ENABLE = High-level after the charge pump voltage rises sufficiently.

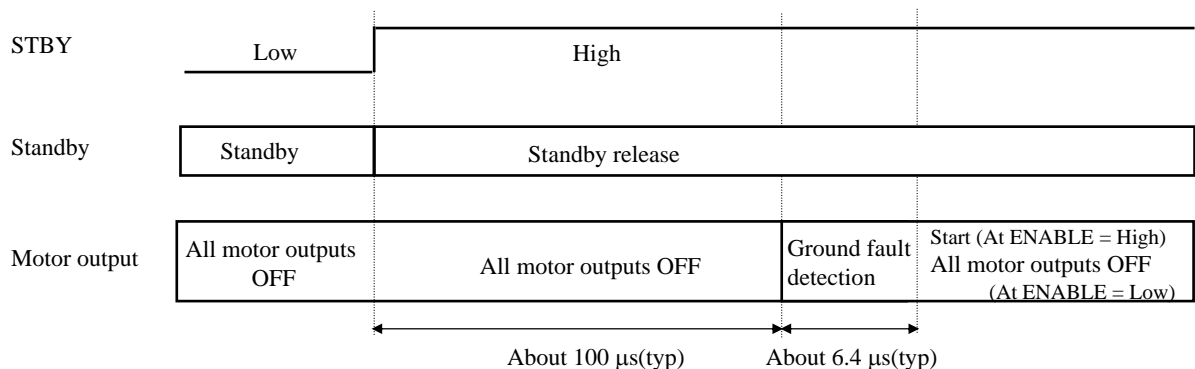
Moreover, take notice that state of motor current becomes default position at Standby and UVLO operation following as 3. Notes of this IC No.6.

After all motor outputs OFF period, the ground-fault detection period is set to about 6.4  $\mu$ s in order to detect the ground-fault of motor output before motor is turned on.

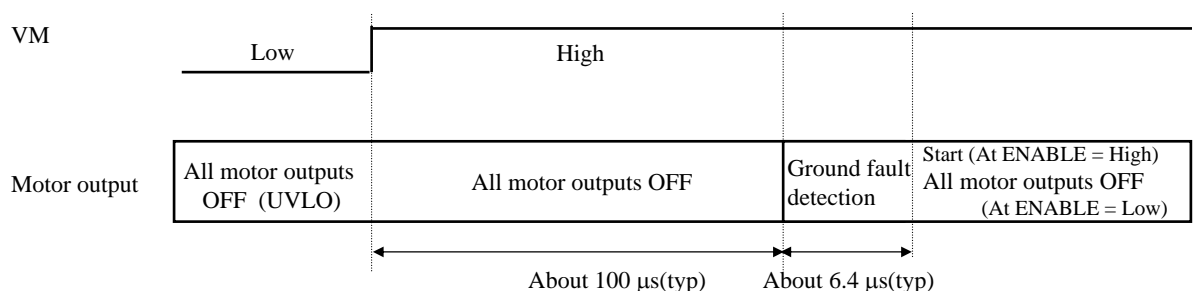
All the upper side power MOS are turned on during the above ground fault detection period, and then whether the ground-fault occurs or not is checked. (Refer to the following contents.)

If the ground-fault is detected at that time, all motor outputs are turned off, and motor drive stops.

【At Standby release】



【At under-voltage lockout release】



2010-08-20		
Established	Revised	

■ Usage Notes (continued)

3. Notes of this IC (continued)

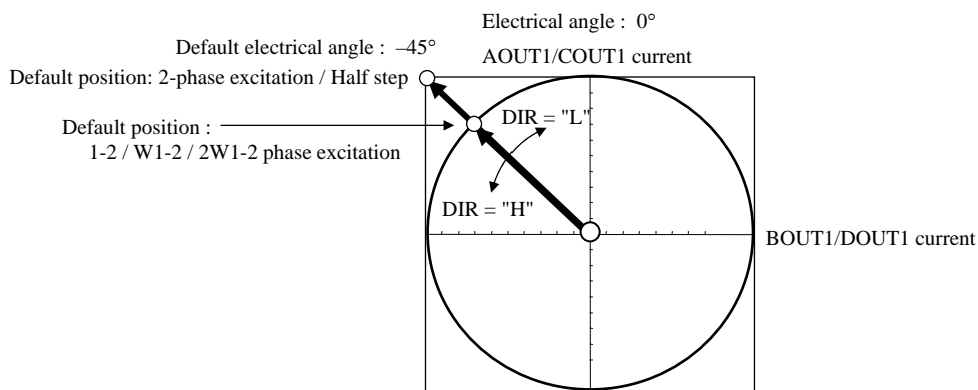
6) Default of motor current state

The defaults of motor current state after the releases of UVLO and standby in each excitation mode are as follows.

Table Default position of each excitation mode

Excitation mode	Default electrical angle*
2-phase excitation (4-step)	-45°
Half step (8-step)	-45°
1-2 phase excitation (8-step)	-45°
W1-2 phase excitation (16-step)	-45°
2W1-2 phase excitation (32-step)	-45°

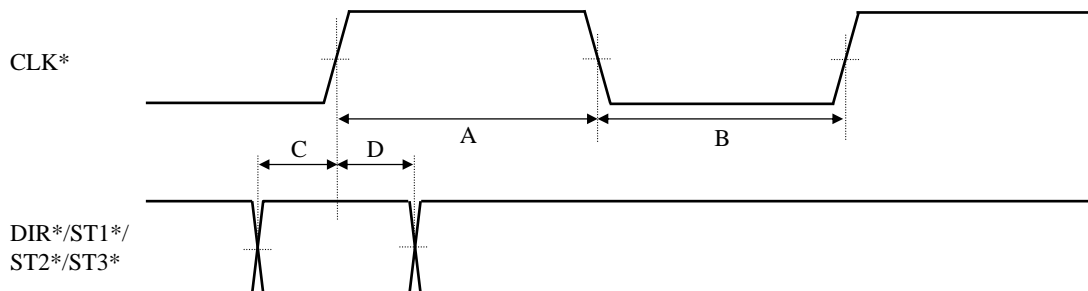
\*Definition of electric angle  
 Electric angle is defined as 0° on the conditions of AOUT1/COUT1 current = 100% and BOUT1/DOU1 current = 0%.  
 It is defined at DIR = Low as "+" direction.  
 It is defined at DIR = High as "-" direction.



7) CLK\* input signal and DIR\* input signal

The set/hold time of CLK\* and DIR\* input signals, CLK\* input minimum pulse width (High/Low) are as follows.

Input signals after securing set/hold time.



Period	Contents	Time
A	CLK* input minimum pulse width (High)	10 μs or more
B	CLK* input minimum pulse width (Low)	10 μs or more
C	DIR*/ST1*/ST2*/ST3* set time	2 μs or more
D	DIR*/ST1*/ST2*/ST3* hold time	2 μs or more

\* : AB or CD

2010-08-20		
Established	Revised	

<h1>Product Standards</h1>		AN44071A	
		Total Pages	Page
		52	50

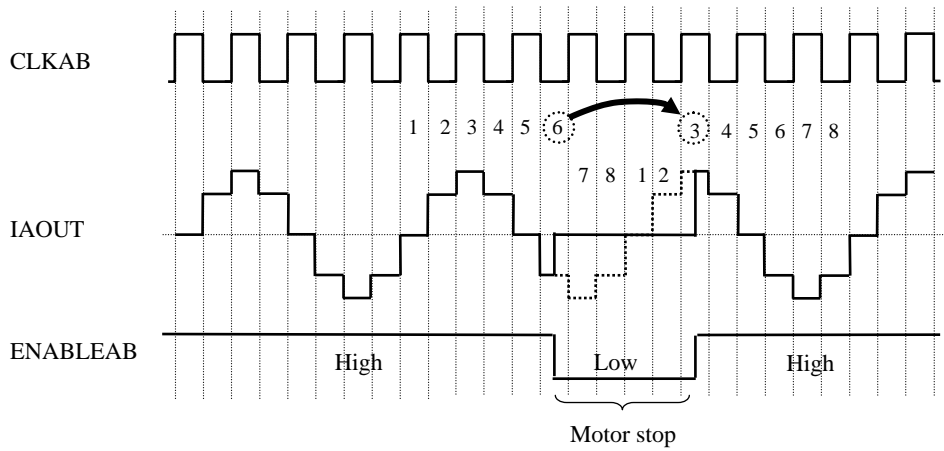
■ Usage Notes (continued)

3. Notes of this IC (continued)

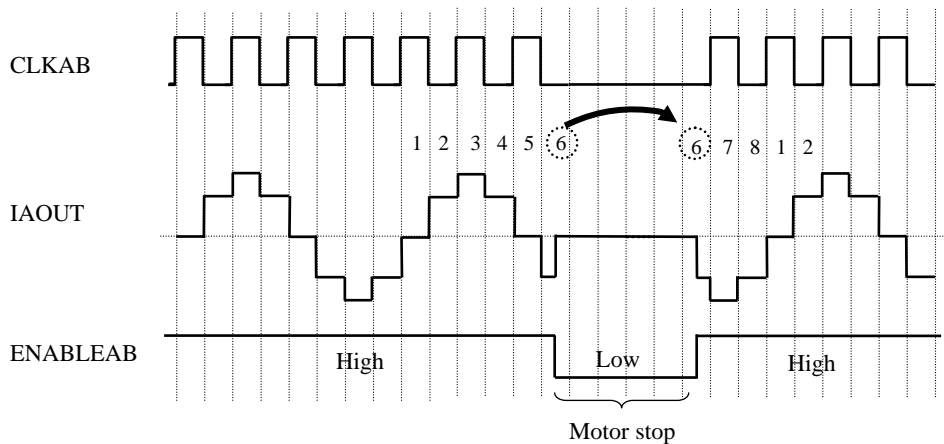
8) CLK input at ENABLE = Low

As the below figure (Ex. 1-2 phase excitation), when inputting CLKAB at the time of motor stop and ENABLEAB = Low (all motor outputs OFF → Motor current = 0 A), the setup value of motor current will proceed at CLKAB input. Therefore, in case of restart at ENABLEAB = High, take notice that the position of restart is where the current state just before motor stop gains CLKAB input. For IBOU, ICOU and IDOUT, the operation is same as the below.

Example) 1-2 phase excitation



In spite of stop at state[6], because CLKAB is input at ENABLEAB = Low, the motor will restart after ENABLEAB = High at state [3].



In spite of stop at state [6], because CLKAB is not input at ENABLEAB = Low, the motor will restart after ENABLE AB= High at state [6] just before stop.

2010-08-20		
Established	Revised	

<h1 style="margin: 0;">Product Standards</h1>		AN44071A	
		Total Pages	Page
		52	51

■ Usage Notes (continued)

3. Notes of this IC (continued)

9) Notes on RCS line

Take consideration in the below figure and the points and design PCB pattern.

(1) Point 1

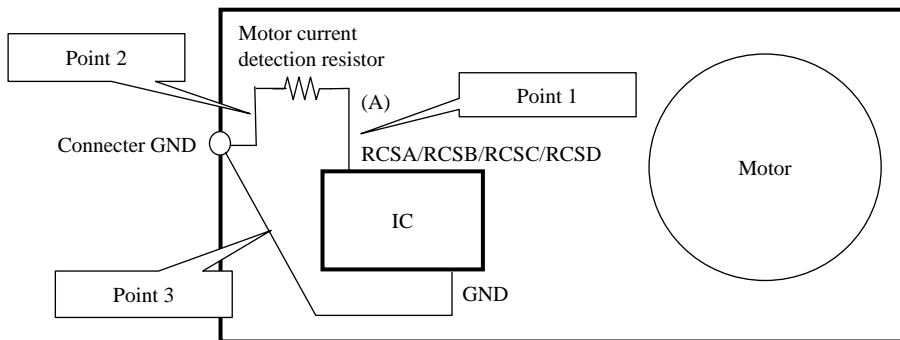
Design so that the wiring to the current detection pin (RCSA/RCSB/RCSC/RCSD pin) of this IC is thick and short to lower impedance. This is why current can not be detected correctly owing to wiring impedance and current might not be supplied to a motor sufficiently.

(2) Point 2

Design so that the wiring between current detection resistor and connector GND (the below figure Point 2) is thick and short to lower impedance. As the same as Point 1, sufficient current might not be supplied due to wiring impedance. In addition, if there is a common impedance on the side of GND of RCSA/RCSB/RCSC/RCSD, peak detection might be erroneous detection. Therefore, install the wiring on the side of GND of RCSA/RCSB/RCSC/RCSD independently.

(3) Point 3

Connect GND pin of this IC to the connector on PCB independently. Separate the wiring removed current detection resistor of large current line (Point 2) from GND wiring and make these wirings one-point shorted at the connector as the below figure. That can make fluctuation of GND minimum.



10) A high current flows into the IC. Therefore, the common impedance of PCB can not be ignored. Take the following points into consideration and design the PCB pattern for a motor. Because the wiring connecting to VM1 (Pin 43) and VM2 (Pin 41) of this IC is high-current, it is easy to generate noise at time of switching by wiring L. That might cause malfunction and destruction (Figure 1). As Figure 2, the escape way of the noise is secured by connecting a capacitor to the connector close to the VM pin of the IC. This makes it possible to suppress the fluctuation of direct VM pin voltage of the IC. Make the setting as shown in Figure 2 as much as possible.

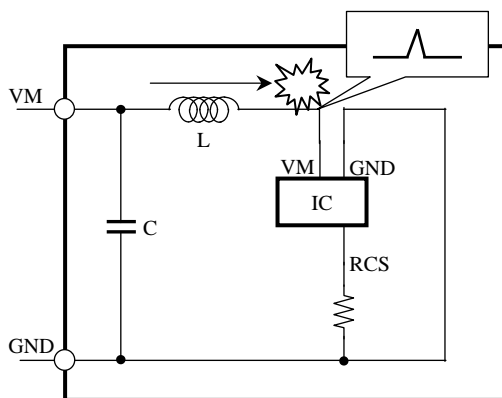


Figure 1. No recommended pattern

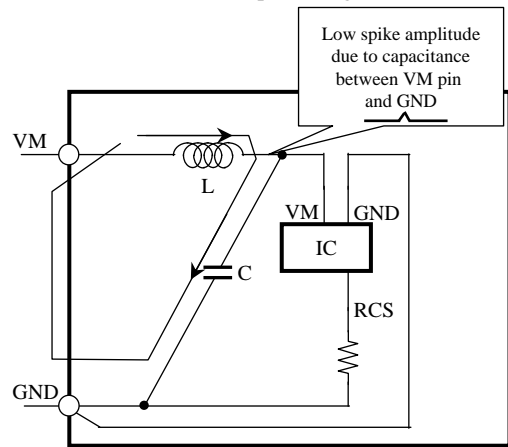


Figure 2. Recommended pattern

2010-08-20		
Established	Revised	

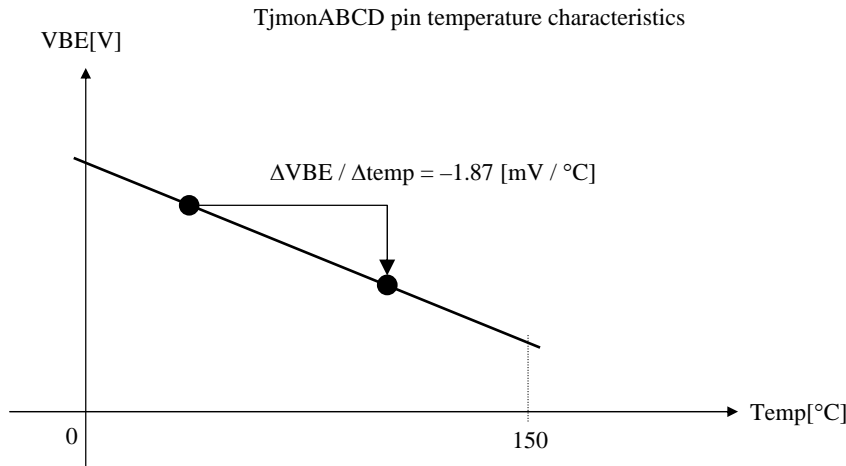
	<h1>Product Standards</h1>	<h2>AN44071A</h2>	
		Total Pages	Page
		52	52

■ Usage Notes (continued)

3. Notes of this IC (continued)

11) IC junction temperature

In case of measuring chip temperature of this IC, measure the voltage of TjmonABCD pin (Pin 10) and estimate the chip temperature from the data below. However, because this data is technical reference data, conduct a sufficient reliability test of the IC and evaluate the product with the IC incorporated.



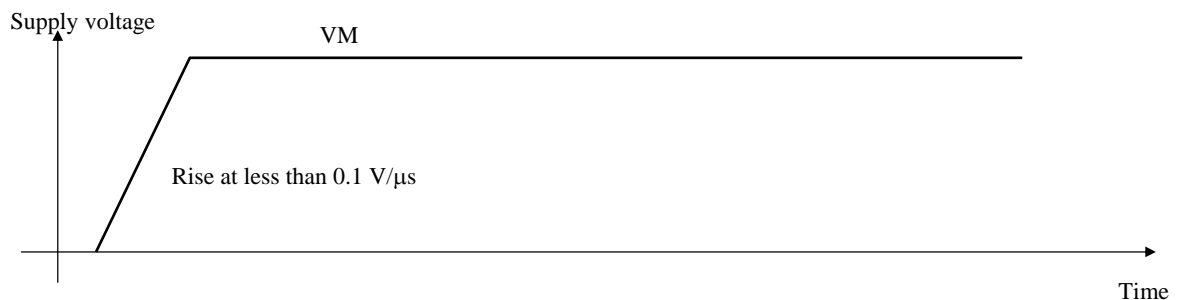
12) Power-on and Supply voltage change

When supplying to VM pin (Pin 41, 43) or raising supply voltage, set the rise speed of VM voltage to less than 0.1 V/μs . If the rise speed of supply voltage is too rapid, it might cause error of operation and destruction of the IC. If the rise speed of VM voltage is more rapid than 0.1V/us, conduct a sufficient reliability test and also check a sufficient evaluation for a product. In addition, rise the VM supply voltage in an ENABLE = Low state when change VM supply voltage from low voltage to high voltage within the operating supply voltage range.

Since there is not the all motor outputs OFF period shown in 3. Notes of this IC 5) (page 48) for the supply voltage change within the operating supply voltage range, the VPUMP voltage is in a low voltage state due to not following to VM supply voltage change enough, and this IC might not operate normally.

Therefore, restart this IC by setting ENABLE to High after the VPUMP voltage rises enough.

In addition, it is recommended to fall VM voltage in motor stop state (ENABLEAB/CD = Low or STBY = Low) for the stable fall of supply voltage.



13) Pins to set mode

- As for the High/Low setting of DECA Y1AB, DECA Y2AB, DECA Y1CD, DECA Y2CD, PWMSWAB and PWMSWCD, it is recommended to short to GND or S5VOUT. If the above pins are high-impedance such as open, note that this IC might not operate normally because it easily influences the noise
- PWMSWAB/CD can be set to Middle by setting PWMSWAB/CD to Open. However, it might occur the error of operation due to the noise. In case, connect the capacity of 0.01 μF or more between PWMSWAB/CD and GND .

2010-08-20		
Established	Revised	

Regulations No.	SC3S1959	Total pages	Page
		6	1

# Package Standards

Package Code	HSOP056-P-0300B
--------------	-----------------

Semiconductor Company  
Panasonic Corporation

Established by	Applied by	Checked by	Prepared by
H.Shidooka	H.Yoshida	M.Okajima	M.Itoh

-	-	
Established	Revised	

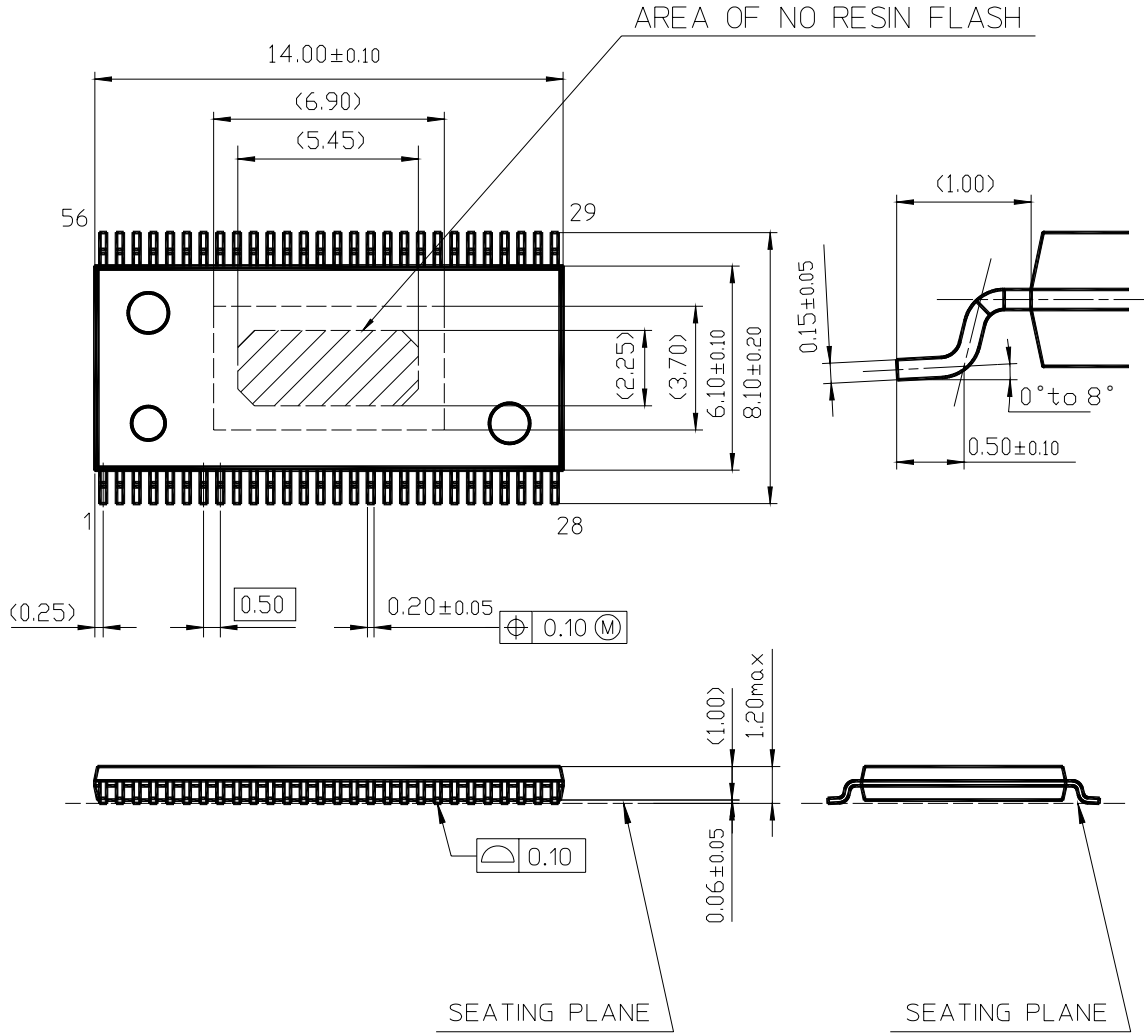
Established: 2009-06-05  
Revised : -

	<h1>Package Standards</h1>		Total pages	Page
			6	2

**1. Outline Drawing**

Unit:mm

Package Code : HSOP056-P-0300B



Body Material	: Epoxy Resin
Lead Material	: Cu Alloy
Lead Finish Method	: Pd Plating

-	-	
Established	Revised	

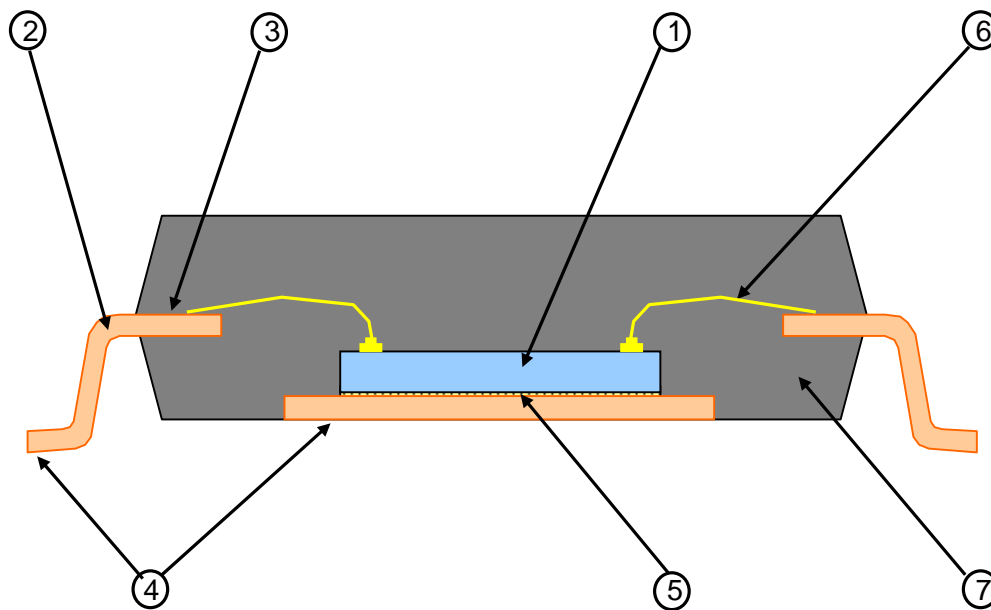


	<h1>Package Standards</h1>		
		Total pages	Page
		6	3

## 2. Package Structure (Technical Report : Reference Value)

Package Code : HSOP056-P-0300B

Chip Material		Si	①
Leadframe material		Cu alloy	②
Inner lead surface		Pd plating	③
Outer lead surface		Pd plating	④
Chip mount	Method	Resin adhesive method	⑤
	Material	Adhesive material	
Wirebond	Method	Thermo-compression bonding	⑥
	Material	Au	
Molding	Method	Transfer molding	⑦
	Material	Epoxy resin	
Mass		250 mg	

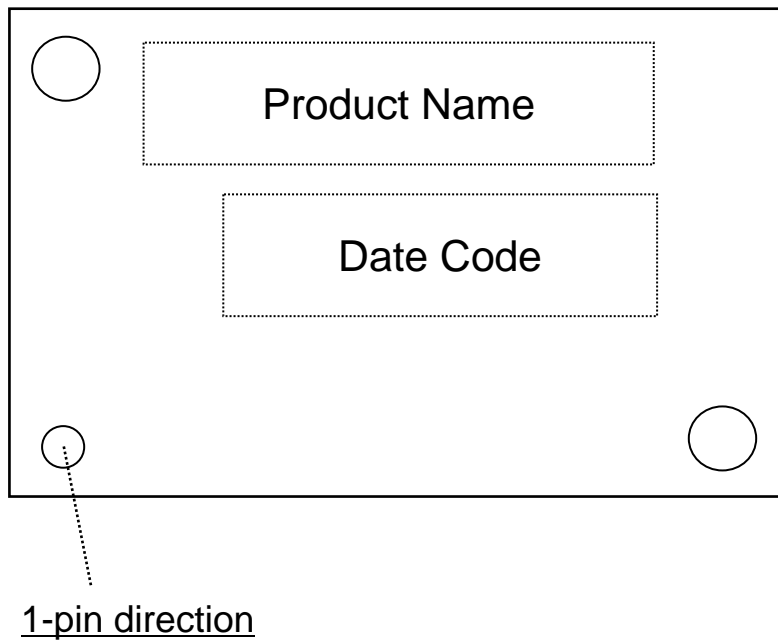


-	-	
Established	Revised	

	<b>Package Standards</b>		
		Total pages	Page
		6	4

3. Mark Layout

Package Code : HSOP056-P-0300B

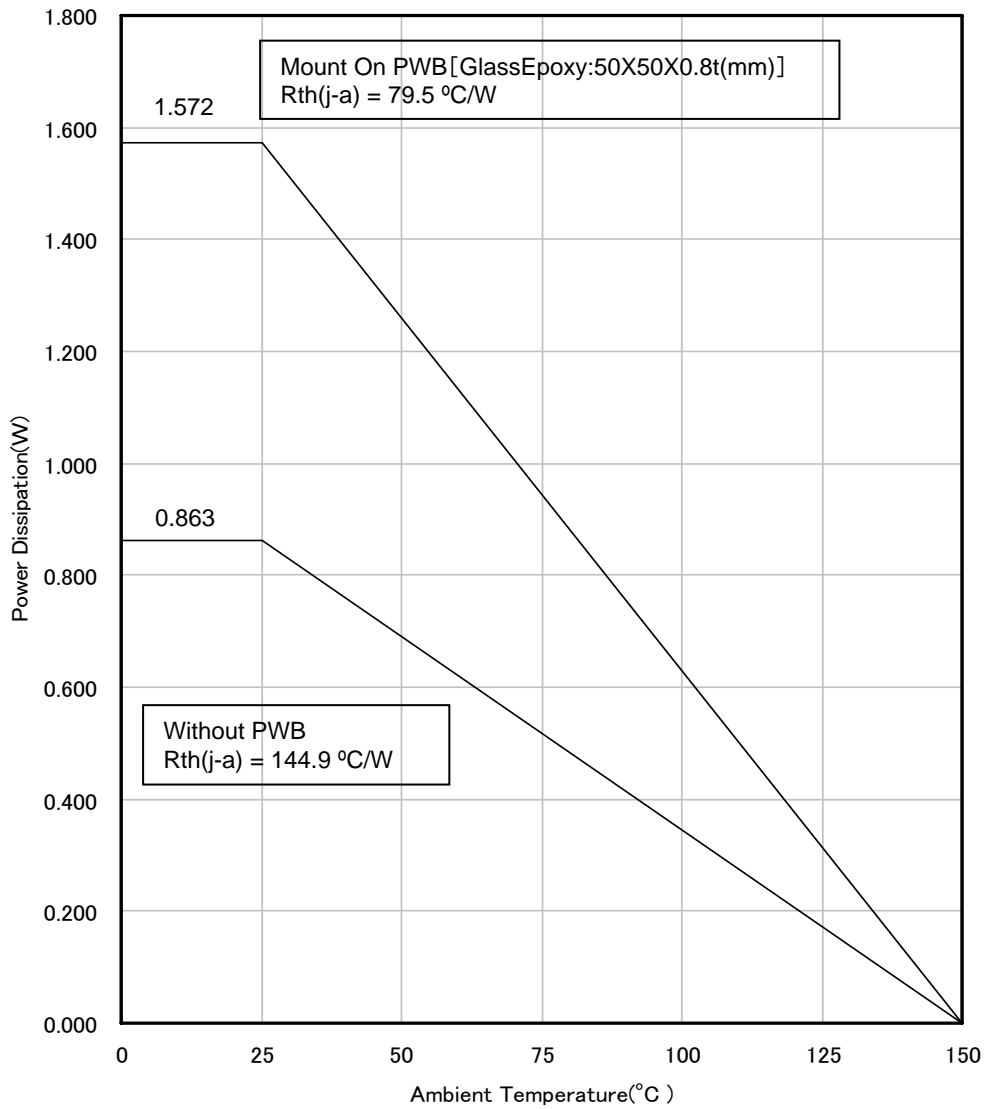


-	-	
Established	Revised	

	<h1>Package Standards</h1>		
		Total pages	Page
		6	5

## 4. Power Dissipation (Technical Report)

Package Code : HSOP056-P-0300B



-	-	
Established	Revised	

	<h1>Package Standards</h1>			
			Total pages	Page
			6	6

## 5. Power Dissipation (Supplementary Explanation)

### [Experiment environment]

Power Dissipation (Technical Report) is a result in the experiment environment of SEMI standard conformity. (Ambient air temperature (Ta) is 25 degrees C)

### [Supplementary information of PWB to be used for measurement]

The supplement of PWB information for Power Dissipation data (Technical Report) are shown below.

Indication	Total Layer	Resin Material
Glass-Epoxy	1-layer	FR-4
4-layer	4-layer	FR-4

### [Notes about Power Dissipation (Thermal Resistance) ]

Power Dissipation values (Thermal Resistance) depend on the conditions of the surroundings, such as specification of PWB and a mounting condition , and a ambient temperature. (Power Dissipation (Thermal Resistance) is not a fixed value.)

The Power Dissipation value (Technical Report) is the experiment result in specific conditions (evaluation environment of SEMI standard conformity) ,and keep in mind that Power Dissipation values (Thermal resistance) depend on circumference conditions and also change.

### [Definition of each temperature and thermal resistance]

Ta : Ambient air temperature

The temperature of the air is defined at the position where the convection, radiation, etc. don't affect the temperature value, and it's separated from the heating elements.

Tc : It's the temperature near the center of a package surface. The package surface is defined at the opposite side if the PWB.

Tj : Semiconductor element surface temperature (Junction temperature.)

Rth(j-c) : The thermal resistance (difference of temperature of per 1 Watts) between a semiconductor element junction part and the package surface

Rth(c-a) : The thermal resistance (difference of temperature of per 1 Watts) between the package surface and the ambient air

Rth(j-a) : The thermal resistance (difference of temperature of per 1 Watts) between a semiconductor element junction part and the ambient air

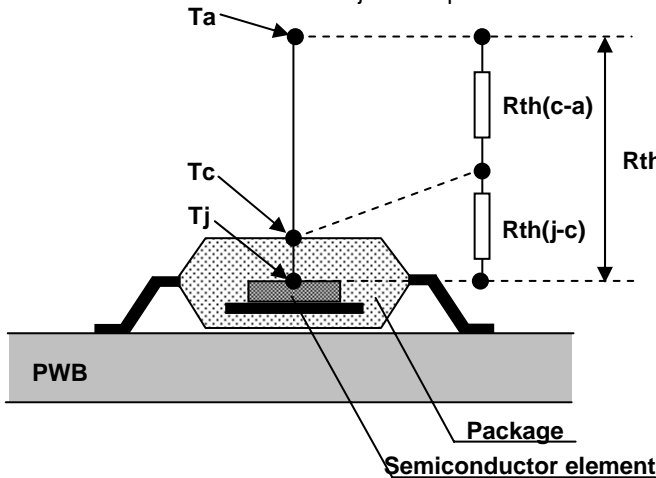


Fig1. Definition image

### [Definition formula]

$$T_j = \{R_{th}(j-c) + R_{th}(c-a)\} \times P + T_a$$

$$= R_{th}(j-a) \times P + T_a$$

$$R_{th}(j-c) = \frac{T_j - T_c}{P} \quad ( \text{ } / \text{W} )$$

$$R_{th}(c-a) = \frac{T_c - T_a}{P} \quad ( \text{ } / \text{W} )$$

$$R_{th}(j-a) = \frac{T_j - T_a}{P} \quad ( \text{ } / \text{W} )$$

$$= R_{th}(j-c) + R_{th}(c-a)$$

P:power(W)

-	-	
Established	Revised	

	<h1 style="margin: 0;">Recommended Soldering Conditions</h1>		
		Total pages	page
		2	1

**Product name : AN44071A-VF**

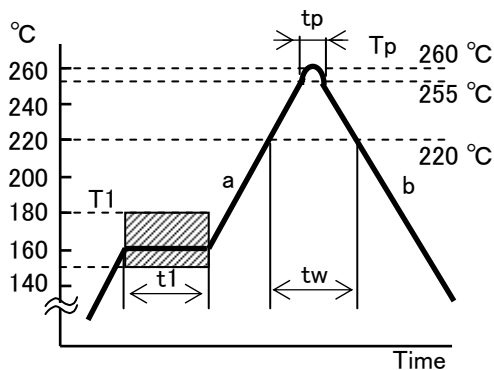
**Package : HSOP056-P-0300B**

## 1. Recommended Soldering Conditions

In case that the semiconductor packages are mounted on the PCB, the soldering should be performed under the following conditions.

### ① Reflow soldering

**Reflow peak temp. : max. 260 °C**



No.	mark	contents	value
1	T1	Pre-heating temp.	150 °C~180 °C
2	t1	Pre-heating temp. hold time	60 s~120 s
3	a	Rising rate	2 °C/s~5 °C/s
4	Tp	Peak temp.	255 °C+5 °C, -0 °C
5	tp	Peak temp. hold time	10 s±3 s
6	tw	High temp. region hold time	within 60 s (≥220 °C)
7	b	Down rate	2 °C/s~5 °C/s
8	-	Number of reflow	within 2 times

\* Peak temperature : less than 260 °C

\* Temperature is measured at package surface point

### ② Wave soldering (Flow soldering)

\* Temp. of solder : 260 °C or less

\* Soak time : within 5 s

\* Number of flow : only 1 time

### ③ Manual soldering

\* Iron Temperature : 350 °C or less (Device lead temperature : 270 °C、10 s max.)

\* Soldering time : within 3 s

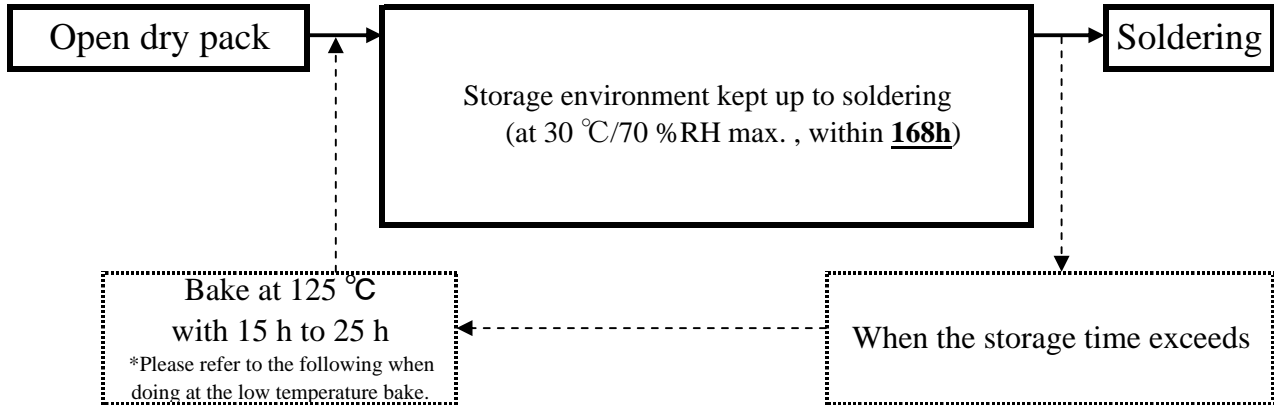
\* Number of manual soldering : only 1 time

No. 11-155

2012/3/6		
Prepared	Revised	

	<b>Recommended Soldering Conditions</b>		
		Total pages	page
		2	2

## 2. Storage environment after dry pack opening



- ※ Because the taping and the magazine materials are not the heat-resistant materials, the bake at 125°C cannot be done.  
Therefore, please solder everything or control everything in the rule time.  
Please keep them in an equal environment with the moisture-proof packaging or dry box.  
(Temperature: room temperature, relative humidity: 30% or less. )  
To control storage time, when bake in the taping and the magazine is necessary, it is necessary for each type to set a bake condition. Please inquire of our company.

☆ AN44071A-VF limitation, low temperature bake condition : 40 °C / 25 %RH or less / 192 h

## 3. Note

- ① Storage environment conditions: keep the following conditions Ta=5 °C~30 °C, RH=30 %~70 %.
- ② Storage period before opening dry pack shall be 1year from a shipping day under Ta=5 °C~30 °C, RH=30 %~70 %. When the storage exceeds, Bake at 125 °C with 15 h to 25 h.
- ③ Baking cycle should be only one time.  
Please be cautious of solderability at baking.
- ④ In case that use reflow two times, 2nd reflow must be finished within **168 hours**.
- ⑤ Remove flux sufficiently from product in the washing process.  
( Flux : Chlorineless rosin flux is recommended.)
- ⑥ In case that use ultrasonic for product washing,  
There is the possibility that the resonance may occur due to the frequency and shape of PCB.  
It may be affected to the strength of lead. Please be cautious of this matter.

No. 11-155

2012/3/6		
Prepared	Revised	

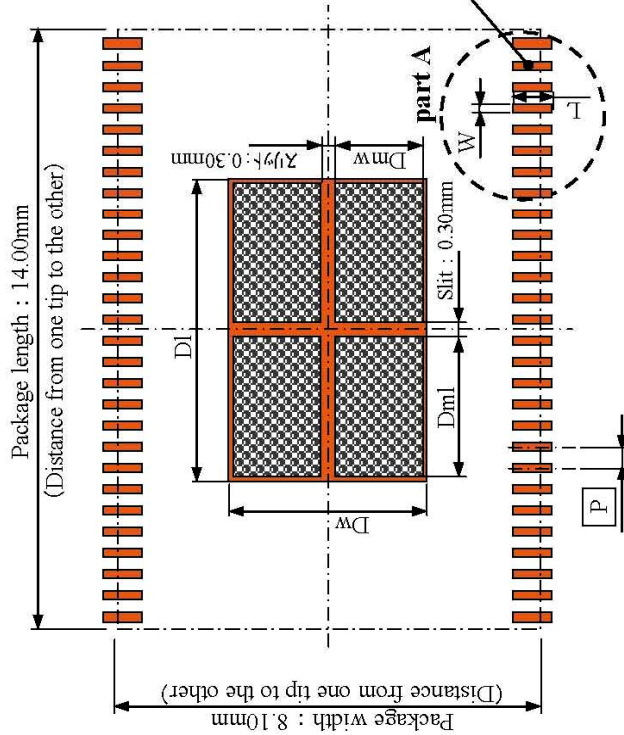
# PCB & Mask spec. for HSOP-56pin

Assembly Technology Center  
Semiconductor Company  
Panasonic Corporation

2009.10.07	
Prepared	Revised

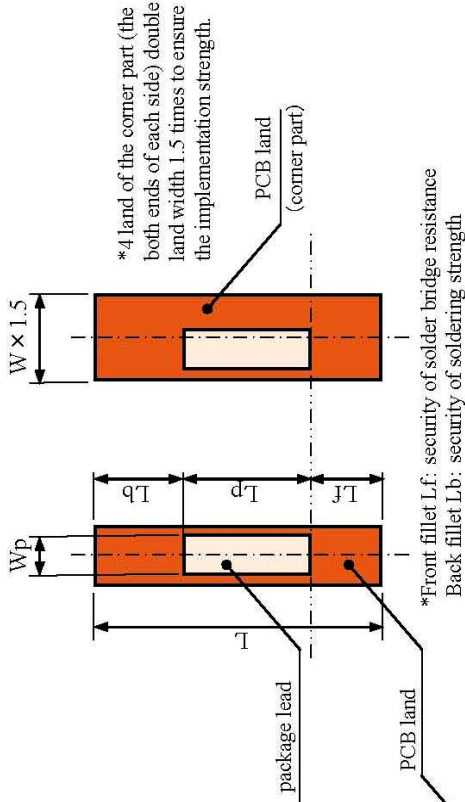
## 【Whole PCB land figure】

(Reference figure) Package code : HSOP056-P-0300 (0.50mmP/56pin)

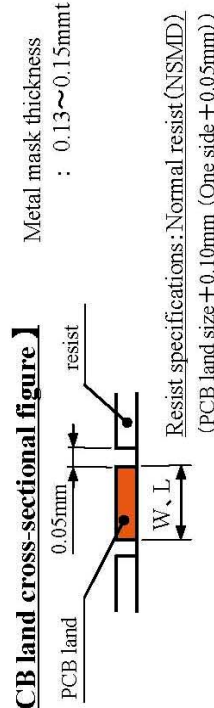


## 【Expansion of part A】

### <Layout of PCB land and package land>



## 【PCB land cross-sectional figure】



## ■ List of recommended dimensions for OFF

Terminal pitch P	Package lead		PCB land				Metal mask opening (Unit: mm)			
	Width Wp	Length Lp	Diepad size Dpl x Dpw	Length L	Front fillet Lf	Back fillet Lb	Diepad DI x DW	Width Wm	Length Lm	Diepad size Dml x Dmw
0.50mmP	0.20	0.50	6.90 x 3.70	1.20 ~ 1.40	0.30 ~ 0.40	0.40 ~ 0.50	7.00 x 3.80	Same as the PCB land		3.30 x 1.70 x 4 (Width of slit 0.30)

\*The above size is calculated based on the experiment results by Matsushita Electric Industrial Co., Ltd., and is not intended as a guarantee of mounting reliability. Mounting reliability can vary depending on factors such as the equipment specifications and conditions, material specifications and properties, and environmental conditions. To ensure satisfactory results, your company should evaluate and confirm actual mounting performance.

**Panasonic ideas for life**

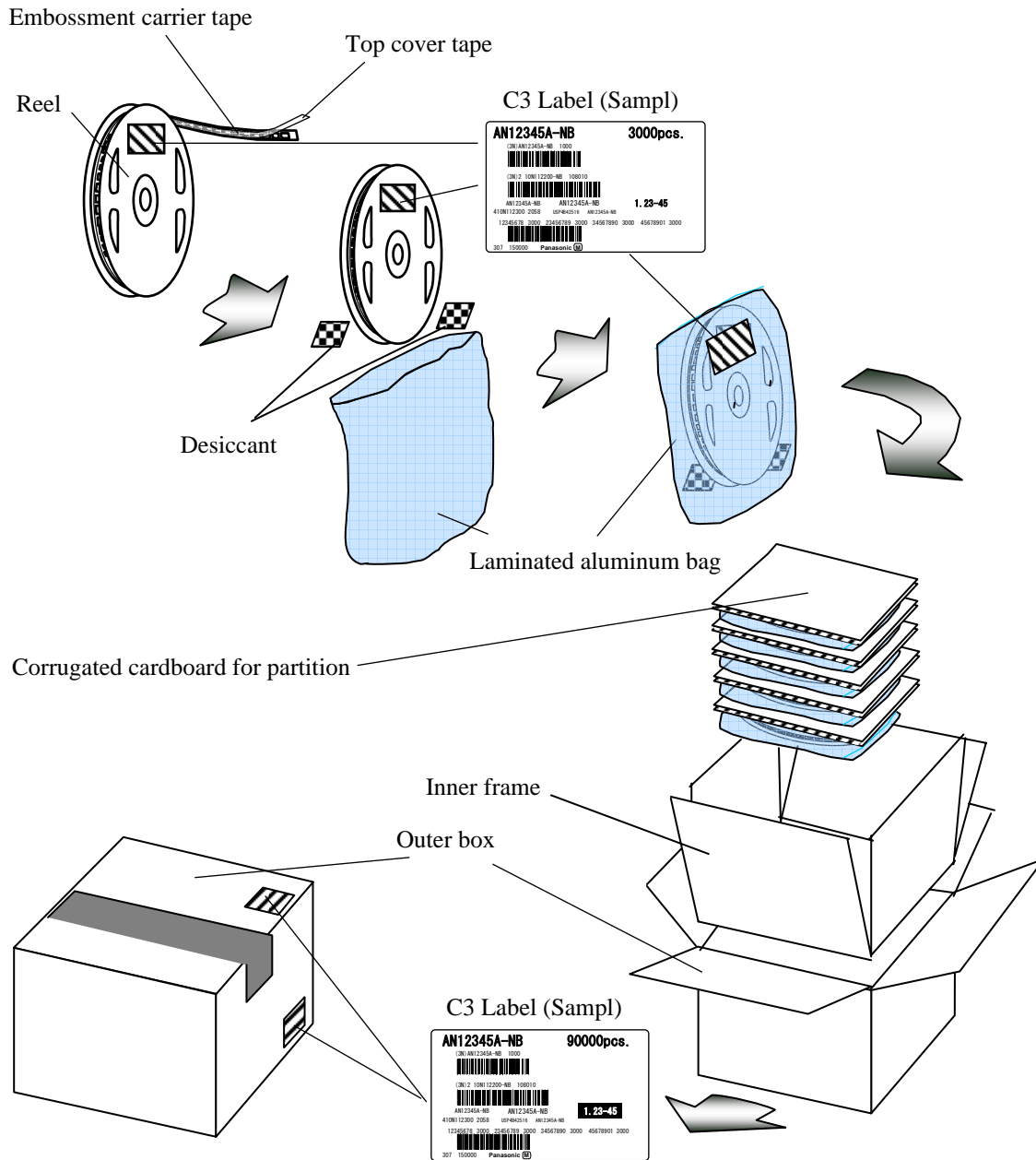
**Customer JISSO Support Team**

# Recommended Land Pattern

Total pages	page
1	1

	<h1>Packing Specification</h1>		
		Total pages	page
		3	1

Specifications of packing by the embossment tape  
( Specifications for dampproof packing of the reel without the inner carton)



2009.03.09		
Prepared	Revised	



	Packing Specification		Total pages	page
			3	2

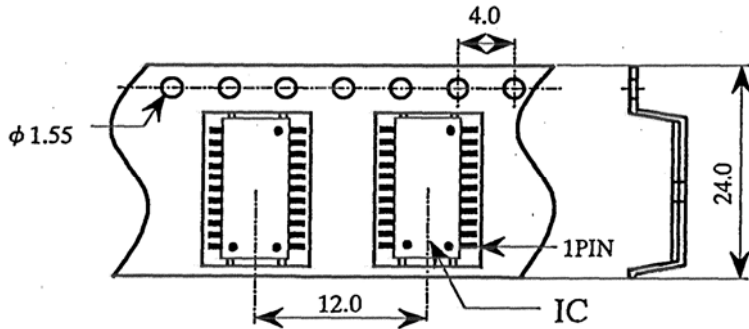
Package : HSOP056-P-0300B

Unit : mm

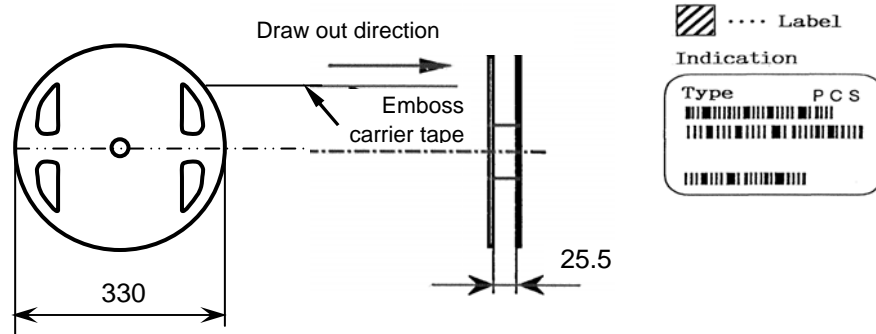
**1** Packing

1) Tape

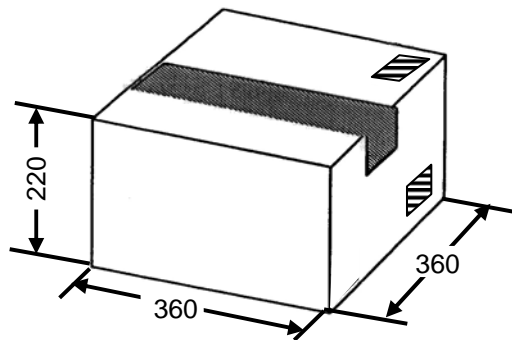
V F



2) Reel



3) Packing case



**2** Packing quantity

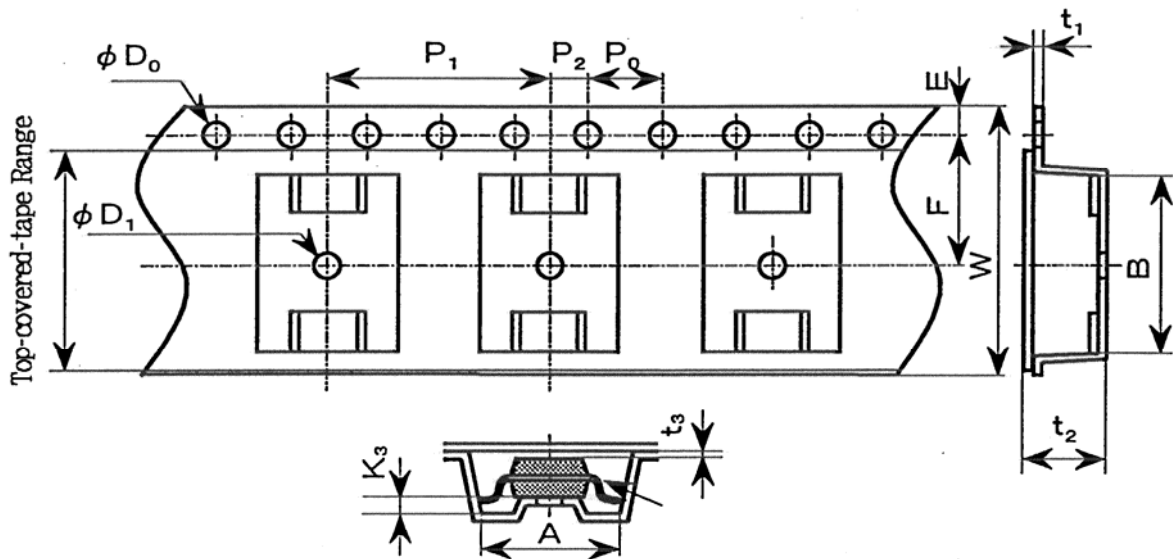
Form	IC quantity	Contents
Reel	3000 Pcs	Reel × 1Pcs
Packing case	15000 Pcs	Reel × 5Pcs

2009.03.09		
Prepared	Revised	

	Packing Specification		Total pages	page
			3	3

Package : HSOP056-P-0300B

Unit : mm



Unit : mm

Dimensions & Tolerance					
W	A	B	E	F	P1
24.0±0.3	8.7±0.1	14.5±0.1	1.75±0.1	11.5±0.1	12.0±0.1
P2	P0	phi D1	phi D0	t1	t2
2.0±0.1	4.0±0.1	2.05±0.05	1.55±0.05	0.3±0.05	1.9max
t3	K1				
(0.1)	(0.3)				

2009.03.09		
Prepared	Revised	

# **Panasonic**

**Industrial Devices Company, Panasonic Corporation**

1 Kotari-yakemachi, Nagaokakyo City, Kyoto 617-8520, Japan  
Tel:075-951-8151



Компания «ЭлектроПласт» предлагает заключение долгосрочных отношений при поставках импортных электронных компонентов на взаимовыгодных условиях!

Наши преимущества:

- Оперативные поставки широкого спектра электронных компонентов отечественного и импортного производства напрямую от производителей и с крупнейших мировых складов;
- Поставка более 17-ти миллионов наименований электронных компонентов;
- Поставка сложных, дефицитных, либо снятых с производства позиций;
- Оперативные сроки поставки под заказ (от 5 рабочих дней);
- Экспресс доставка в любую точку России;
- Техническая поддержка проекта, помощь в подборе аналогов, поставка прототипов;
- Система менеджмента качества сертифицирована по Международному стандарту ISO 9001;
- Лицензия ФСБ на осуществление работ с использованием сведений, составляющих государственную тайну;
- Поставка специализированных компонентов (Xilinx, Altera, Analog Devices, Intersil, Interpoint, Microsemi, Aeroflex, Peregrine, Syfer, Eurofarad, Texas Instrument, Miteq, Cobham, E2V, MA-COM, Hittite, Mini-Circuits, General Dynamics и др.);

Помимо этого, одним из направлений компании «ЭлектроПласт» является направление «Источники питания». Мы предлагаем Вам помощь Конструкторского отдела:

- Подбор оптимального решения, техническое обоснование при выборе компонента;
- Подбор аналогов;
- Консультации по применению компонента;
- Поставка образцов и прототипов;
- Техническая поддержка проекта;
- Защита от снятия компонента с производства.



#### Как с нами связаться

**Телефон:** 8 (812) 309 58 32 (многоканальный)

**Факс:** 8 (812) 320-02-42

**Электронная почта:** [org@eplast1.ru](mailto:org@eplast1.ru)

**Адрес:** 198099, г. Санкт-Петербург, ул. Калинина, дом 2, корпус 4, литера А.