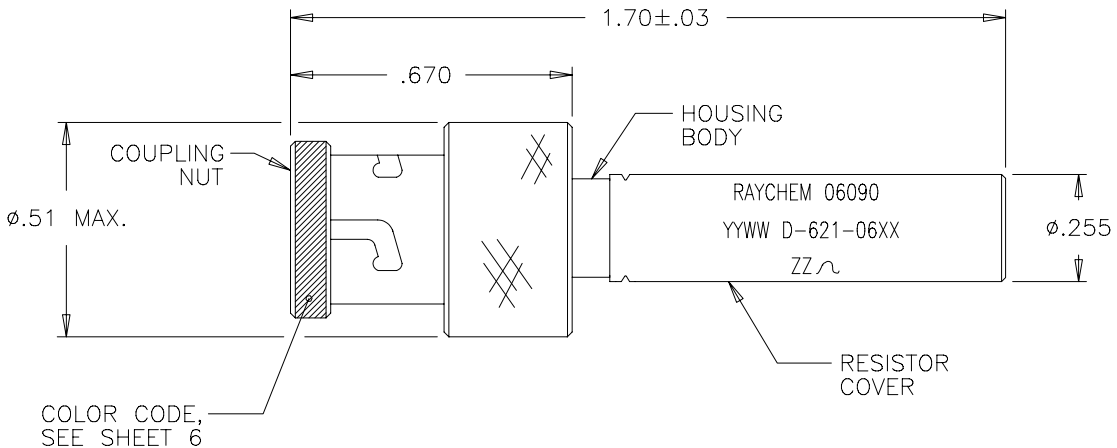


| REVISIONS |                          |           |          |
|-----------|--------------------------|-----------|----------|
| LTR       | DESCRIPTION              | DATE      | APPROVED |
| F         | REVISED PER ECN T-12846  | 89 SEPT 9 | Z. TEMAN |
| G         | REVISED PER ECN# T-14157 | 90 APR 10 | Z. TEMAN |
| H         | REVISED PER ECN# T-21490 | 6/10/97   | Z. TEMAN |

\* (-L) ADDED TO D-621-04XX NUMBER INDICATES LANYARD, SEE SHEETS 3 AND 4.

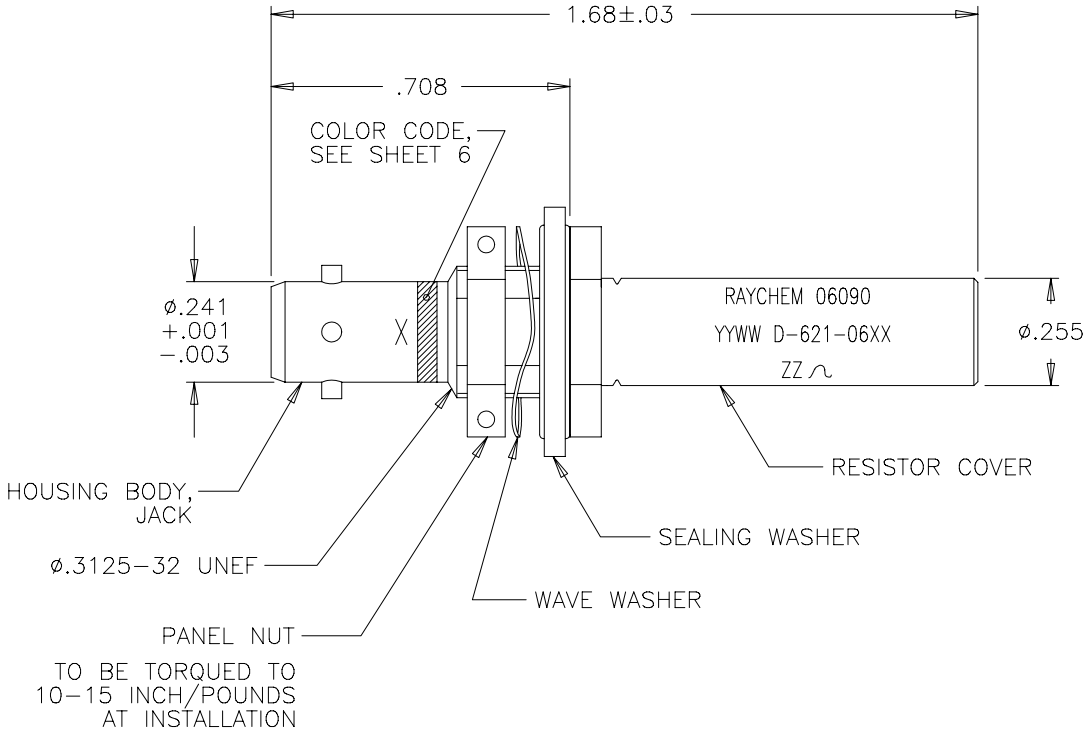


(TRIAxIAL CONNECTOR, PLUG WEIGHT: 16 GRAMS MAX.)

**If this document is printed it becomes uncontrolled.  
Check with the web for latest revision.**

## SPECIFICATION CONTROL DRAWING

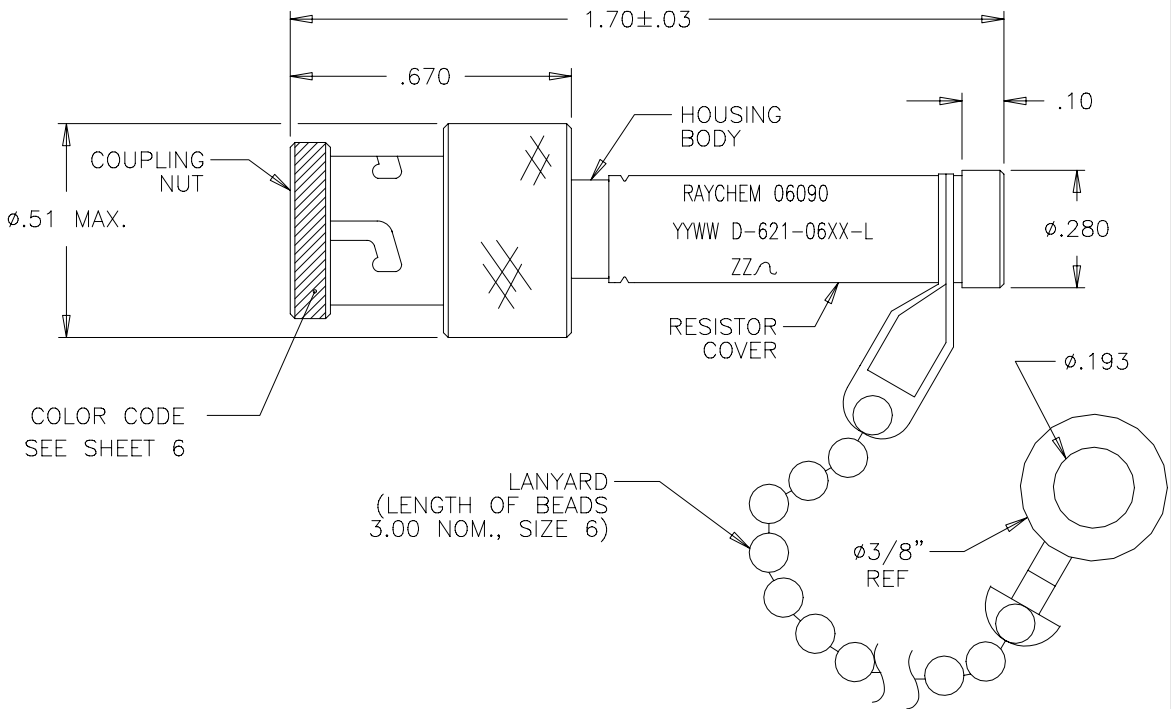
|  |          |         |            |                           |   |   |                     |     |
|--|----------|---------|------------|---------------------------|---|---|---------------------|-----|
| UNLESS OTHERWISE SPECIFIED DIMENSIONS ARE IN INCHES. METRIC DIMENSIONS ARE IN BRACKETS.<br><br>DECIMALS<br>.XXX ± .005 { — mm }<br>.XX ± .01 { — mm }<br>ANGLES<br>.X ± 1°<br>WEIGHT<br>— lbs { — g MAX. } | DRAWN    | J.B.K.  | 89 JULY 21 | <i>Raychem</i>            | RAYCHEM CORPORATION<br>300 CONSTITUTION DRIVE<br>MENLO PARK, CALIFORNIA 94025 |   |                     |     |
|  | CHECKED  |         |            |                           | TITLE   | CORROSION RESISTANT CONNECTOR,<br>TRIAxIAL, BAYONET COUPLED,<br>RESISTOR TERMINATOR |                     |     |
|  | APPROVED |         |            |                           | SIZE  | CODE IDENT. NO.   | DWG. NO.            | REV |
|  | APPROVED | Z.TEMAN | 89 JULY 26 | CAD NAME                  | A   | 06090   | D-621-0653/0684[-L] | H   |
| THIRD ANGLE PROJECTION   |          |         |            | DO NOT SCALE THIS DRAWING |   | SHEET 1 OF 7  |                     |     |



(TRIAxIAL CONNECTOR, JACK WEIGHT: 14 GRAMS MAX.)

**If this document is printed it becomes uncontrolled.  
Check with the web for latest revision.**

|                           |        |        |            |      |                 |                     |     |
|---------------------------|--------|--------|------------|------|-----------------|---------------------|-----|
| CAD NAME: T21490b         | DRAWN  | J.B.K. | 89 JULY 21 | SIZE | CODE IDENT. NO. | DWG. NO.            | REV |
|                           | ISSUED |        |            | A    | 06090           | D-621-0653/0684[-L] | H   |
| DO NOT SCALE THIS DRAWING |        |        |            |      |                 | SHEET 2 OF 7        |     |



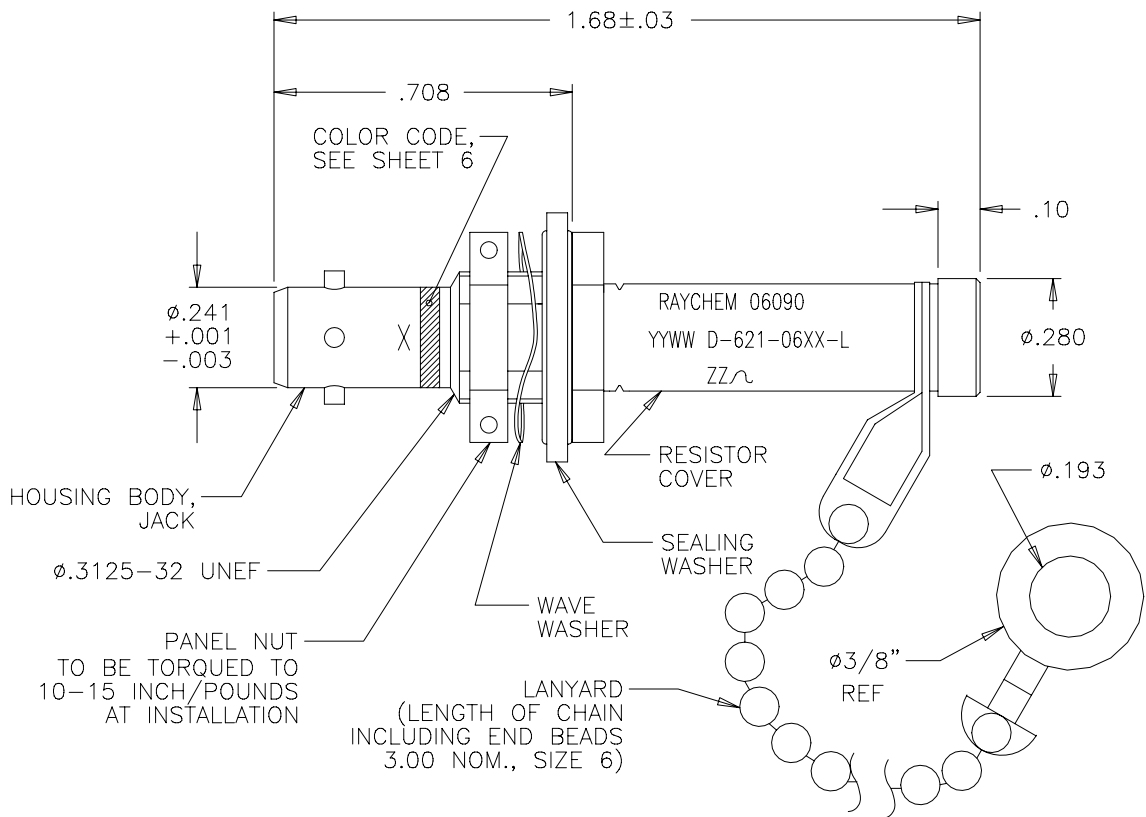
(TRIAxIAL CONNECTOR, WITH LANYARD, PLUG WEIGHT: 21 GRAMS MAX.)

If this document is printed it becomes uncontrolled.  
Check with the web for latest revision.

CAD NAME: T21490c

|                           |        |           |      |                 |                     |     |
|---------------------------|--------|-----------|------|-----------------|---------------------|-----|
| DRAWN                     | J.B.K. | 89 AUG 25 | SIZE | CODE IDENT. NO. | DWG. NO.            | REV |
| ISSUED                    |        |           | A    | 06090           | D-621-0653/0684(-L) | H   |
| DO NOT SCALE THIS DRAWING |        |           |      |                 | SHEET 3 OF 7        |     |





TRIAxIAL CONNECTOR, WITH LANYARD, JACK WEIGHT: 19 GRAMS MAX.)

**If this document is printed it becomes uncontrolled.  
Check with the web for latest revision.**

|                           |        |        |            |      |                 |                     |     |
|---------------------------|--------|--------|------------|------|-----------------|---------------------|-----|
| CAD NAME: T21490d         | DRAWN  | J.B.K. | 89 JULY 21 | SIZE | CODE IDENT. NO. | DWG. NO.            | REV |
|                           | ISSUED |        |            | A    | 06090           | D-621-0653/0684[-L] | H   |
| DO NOT SCALE THIS DRAWING |        |        |            |      |                 | SHEET 4 OF 7        |     |

1.0 MATERIALS AND FINISHES

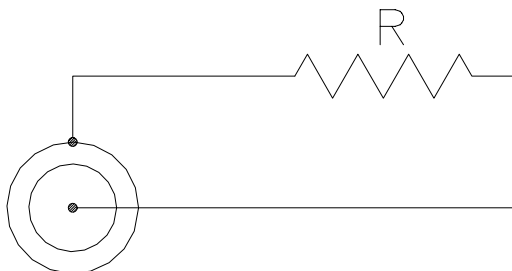
- 1.1 HOUSING BODY: BECU PER ASTM B 196, TIN PLATED PER MIL-T-10727, OVER NICKEL PER QQ-N-290
- 1.1.1 INSULATION: POLYETHERSULFONE
- 1.2 COUPLING NUT: (PLUG) BECU PER ASTM B 196, TIN PLATED PER MIL-T-10727, OVER NICKEL PER QQ-N-290
- 1.2.1 INTERFACIAL SEAL: SILICONE RUBBER
- 1.3 PANEL NUT: (JACK) BRASS ALLOY PER ASTM B16, TIN PLATED PER MIL-T-10727, OVER NICKEL PER QQ-N-290.
- 1.4 WAVE WASHER: (JACK) BECU PER ASTM B194, TIN PLATED PER MIL-T-10727 OVER NICKEL PER QQ-N-290
- 1.5 SEALING WASHER: (JACK) SILICONE RUBBER (AMS 3304), STAINLESS STEEL PER MIL-S-5059, PASSIVATED PER QQ-P-35.
- 1.6 RESISTOR COVER: 300 SERIES STAINLESS STEEL PER ASTM A582, TIN PLATED PER MIL-T-10727, OVER NICKEL PER MIL-C-26074
- 1.7 LANYARD: CORROSION RESISTANT STEEL, TIN PLATED PER MIL-T-10727, OVER NICKEL PER QQ-N-290

2.0 PERFORMANCE CAPABILITIES

2.1 REFER TO RAYCHEM SPECIFICATION D-6025 (SUPERSEDES D-6050) AND D-6020 FOR PERFORMANCE AND QUALIFICATION REQUIREMENTS.

2.2 GENERAL CHARACTERISTICS.

- 2.2.1 OPERATING TEMPERATURE: -65°C TO 125°C
- 2.2.2 INSULATION RESISTANCE: GREATER THEN 5K MEG \*
- 2.2.3 DIELECTRIC STRENGTH: 900 VAC AT 60 Hz \*
- 2.2.4 POWER RATING: 1 WATT MAX.
- 2.2.5 TERMINATOR RESISTANCE: SEE RESISTANCE VALUES, SHEET 7 OF 7
- 2.2.6 SALT SPRAY CORROSION RESISTANCE: 500 HOURS



\* BETWEEN INNER COAXIAL CONTACT AND OUTER HOUSING

R = SEE SHEET 7 OF 7 FOR RESISTANCE VALUE ±2%

**If this document is printed it becomes uncontrolled.  
Check with the web for latest revision.**

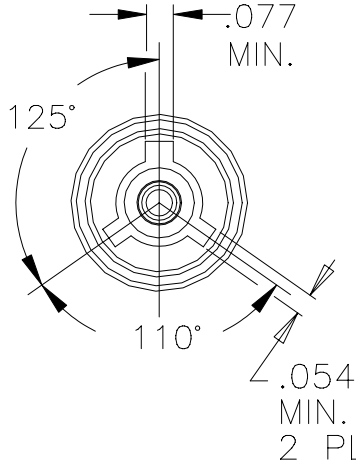
|                           |        |        |            |      |                 |                     |     |
|---------------------------|--------|--------|------------|------|-----------------|---------------------|-----|
| CAD NAME: T21490e         | DRAWN  | J.B.K. | 89 JULY 21 | SIZE | CODE IDENT. NO. | DWG. NO.            | REV |
|                           | ISSUED |        |            | A    | 06090           | D-621-0653/0684[-L] | H   |
| DO NOT SCALE THIS DRAWING |        |        |            |      |                 | SHEET 5 OF 7        |     |

CAD NAME T21490F

|        |            |
|--------|------------|
| ISSUED | DRAWN      |
|        | J.B.K.     |
|        | 89 JULY 21 |

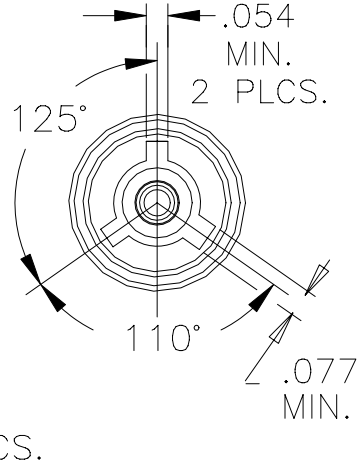
|                           |      |                 |                 |        |
|---------------------------|------|-----------------|-----------------|--------|
| DO NOT SCALE THIS DRAWING | SIZE | CODE IDENT. NO. | DWG. NO.        | REV    |
|                           | A    | 06090           | D-621-0653/0684 | H      |
|                           |      |                 |                 | 6 OF 7 |

INTERFACE "A" PLUG



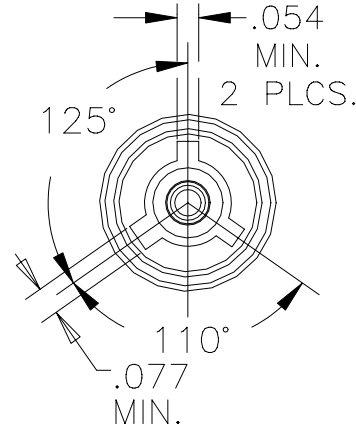
COLOR CODE: RED

INTERFACE "B" PLUG



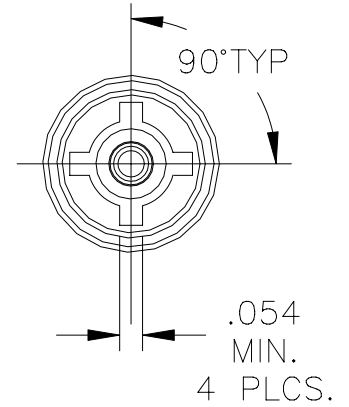
COLOR CODE: WHITE

INTERFACE "C" PLUG



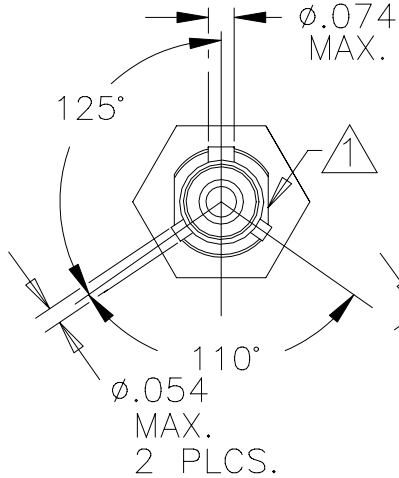
COLOR CODE: GREEN

INTERFACE "D" PLUG

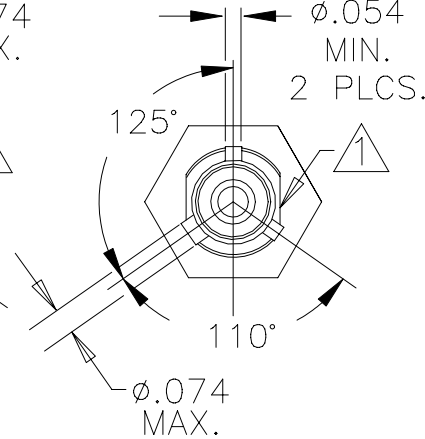


NO COLOR CODE

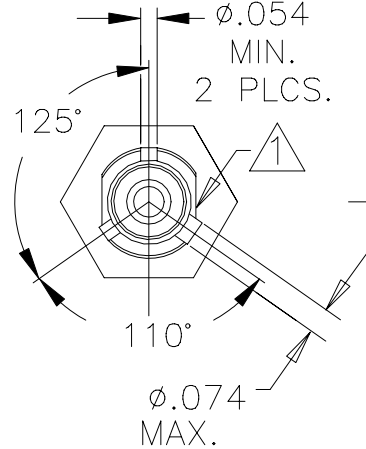
JACK



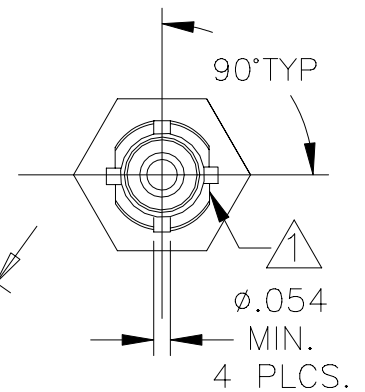
JACK



JACK



JACK



If this document is printed it becomes uncontrolled. Check with the web for latest revision.

NOTES:

MAJOR KEY ORIENTATION WITH RESPECT TO FLATS IS NOT CONTROLLED.

SEE SHEET 1 FOR REVISION

NOTES:

SEE SHEET 1 FOR REVISION

 SUFFIX -L INDICATES PARTS WITH LANYARD, SEE SHEETS 3 AND 4.

| DRAWING NO.    | CONNECTOR | DESCRIPTION |                   | RESISTANCE VALUE ±2% |
|----------------|-----------|-------------|-------------------|----------------------|
|                |           | INTERFACE   | INSTALLED CONTACT |                      |
| D-621-0653(-L) | PLUG      | "A"         | PIN               | 78 OHMS              |
| D-621-0654(-L) | PLUG      | "B"         | PIN               | 78 OHMS              |
| D-621-0655(-L) | PLUG      | "C"         | PIN               | 78 OHMS              |
| D-621-0656(-L) | PLUG      | "D"         | PIN               | 78 OHMS              |
| D-621-0657(-L) | PLUG      | "A"         | PIN               | 3000 OHMS            |
| D-621-0658(-L) | PLUG      | "B"         | PIN               | 3000 OHMS            |
| D-621-0659(-L) | PLUG      | "C"         | PIN               | 3000 OHMS            |
| D-621-0660(-L) | PLUG      | "D"         | SOCKET            | 3000 OHMS            |
| D-621-0661(-L) | JACK      | "A"         | SOCKET            | 78 OHMS              |
| D-621-0662(-L) | JACK      | "B"         | SOCKET            | 78 OHMS              |
| D-621-0663(-L) | JACK      | "C"         | SOCKET            | 78 OHMS              |
| D-621-0664(-L) | JACK      | "D"         | SOCKET            | 78 OHMS              |
| D-621-0665(-L) | JACK      | "A"         | SOCKET            | 3000 OHMS            |
| D-621-0666(-L) | JACK      | "B"         | SOCKET            | 3000 OHMS            |
| D-621-0667(-L) | JACK      | "C"         | SOCKET            | 3000 OHMS            |
| D-621-0668(_L) | JACK      | "D"         | SOCKET            | 3000 OHMS            |
| D-621-0669(-L) | PLUG      | "A"         | SOCKET            | 78 OHMS              |
| D-621-0670(-L) | PLUG      | "B"         | SOCKET            | 78 OHMS              |
| D-621-0671(-L) | PLUG      | "C"         | SOCKET            | 78 OHMS              |
| D-621-0672(-L) | PLUG      | "D"         | SOCKET            | 78 OHMS              |
| D-621-0673(-L) | PLUG      | "A"         | SOCKET            | 3000 OHMS            |
| D-621-0674(-L) | PLUG      | "B"         | SOCKET            | 3000 OHMS            |
| D-621-0675(-L) | PLUG      | "C"         | SOCKET            | 3000 OHMS            |
| D-621-0676(-L) | PLUG      | "D"         | PIN               | 3000 OHMS            |
| D-621-0677(-L) | JACK      | "A"         | PIN               | 78 OHMS              |
| D-621-0678(-L) | JACK      | "B"         | PIN               | 78 OHMS              |
| D-621-0679(-L) | JACK      | "C"         | PIN               | 78 OHMS              |
| D-621-0680(-L) | JACK      | "D"         | PIN               | 78 OHMS              |
| D-621-0681(-L) | JACK      | "A"         | PIN               | 3000 OHMS            |
| D-621-0682(-L) | JACK      | "B"         | PIN               | 3000 OHMS            |
| D-621-0683(-L) | JACK      | "C"         | PIN               | 3000 OHMS            |
| D-621-0684(-L) | JACK      | "D"         | PIN               | 3000 OHMS            |

**If this document is printed it becomes uncontrolled.  
Check with the web for latest revision.**

CAD NAME: T21490g

|                           |        |           |      |                 |                     |     |
|---------------------------|--------|-----------|------|-----------------|---------------------|-----|
| DRAWN                     | J.B.K. | 89 AUG 25 | SIZE | CODE IDENT. NO. | DWG. NO.            | REV |
| ISSUED                    |        |           | A    | 06090           | D-621-0653/0684(-L) | H   |
| DO NOT SCALE THIS DRAWING |        |           |      |                 | SHEET 7 OF 7        |     |



Компания «ЭлектроПласт» предлагает заключение долгосрочных отношений при поставках импортных электронных компонентов на взаимовыгодных условиях!

Наши преимущества:

- Оперативные поставки широкого спектра электронных компонентов отечественного и импортного производства напрямую от производителей и с крупнейших мировых складов;
- Поставка более 17-ти миллионов наименований электронных компонентов;
- Поставка сложных, дефицитных, либо снятых с производства позиций;
- Оперативные сроки поставки под заказ (от 5 рабочих дней);
- Экспресс доставка в любую точку России;
- Техническая поддержка проекта, помощь в подборе аналогов, поставка прототипов;
- Система менеджмента качества сертифицирована по Международному стандарту ISO 9001;
- Лицензия ФСБ на осуществление работ с использованием сведений, составляющих государственную тайну;
- Поставка специализированных компонентов (Xilinx, Altera, Analog Devices, Intersil, Interpoint, Microsemi, Aeroflex, Peregrine, Syfer, Eurofarad, Texas Instrument, Miteq, Cobham, E2V, MA-COM, Hittite, Mini-Circuits, General Dynamics и др.);

Помимо этого, одним из направлений компании «ЭлектроПласт» является направление «Источники питания». Мы предлагаем Вам помощь Конструкторского отдела:

- Подбор оптимального решения, техническое обоснование при выборе компонента;
- Подбор аналогов;
- Консультации по применению компонента;
- Поставка образцов и прототипов;
- Техническая поддержка проекта;
- Защита от снятия компонента с производства.



#### Как с нами связаться

**Телефон:** 8 (812) 309 58 32 (многоканальный)

**Факс:** 8 (812) 320-02-42

**Электронная почта:** [org@eplast1.ru](mailto:org@eplast1.ru)

**Адрес:** 198099, г. Санкт-Петербург, ул. Калинина, дом 2, корпус 4, литера А.