

# MAX703/MAX704

# Low-Cost Microprocessor Supervisory Circuits with Battery Backup

## General Description

The MAX703/MAX704 microprocessor ( $\mu$ P) supervisory circuits reduce the complexity and number of components required for power-supply monitoring and battery control functions in  $\mu$ P systems. These devices significantly improve system reliability and accuracy compared to that obtained with separate ICs or discrete components.

The MAX703/MAX704 are available in 8-pin DIP and SO packages and provide four functions:

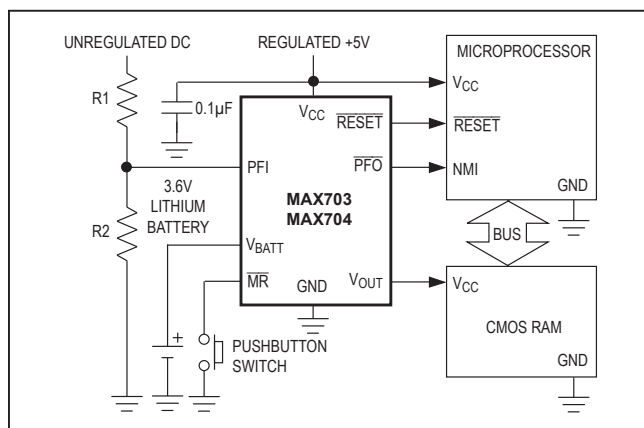
- 1) An active-low reset during power-up, power-down, and brownout conditions.
- 2) Battery-backup switching for CMOS RAM, CMOS  $\mu$ Ps, or other low-power logic circuitry.
- 3) A 1.25V threshold detector for power-fail warning, low-battery detection, or for monitoring a power supply other than +5V.
- 4) An active-low manual reset input.

The MAX703 and MAX704 differ only in their supply-voltage monitor levels. The MAX703 generates a reset when the supply drops below 4.65V, while the MAX704 generates a reset below 4.40V.

## Applications

- Computers
- Controllers
- Intelligent Instruments
- Critical  $\mu$ P Power Monitoring

## Typical Operating Circuit



## Features

- Battery-Backup Power Switching
- Precision Supply-Voltage Monitor
  - 4.65V (MAX703)
  - 4.40V (MAX704)
- 200ms Reset Pulse Width
- Debounced TTL/CMOS-Compatible Manual Reset Input
- 200 $\mu$ A Quiescent Current
- 50nA Quiescent Current in Battery-Backup Mode
- Voltage Monitor for Power-Fail or Low-Battery Warning
- 8-Pin DIP and SO Packages
- Guaranteed  $\overline{\text{RESET}}$  Assertion to  $V_{CC} = 1V$

## Ordering Information

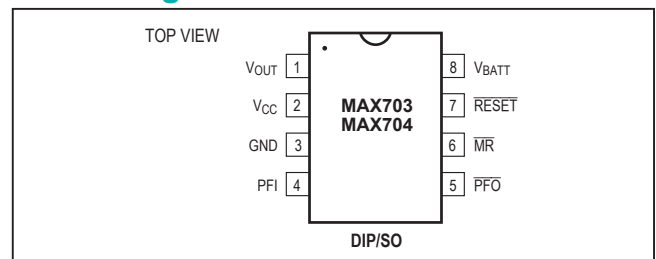
PART	TEMP RANGE	PIN-PACKAGE
MAX703C/D	0°C to +70°C	Dice*
MAX703CPA	0°C to +70°C	8 PDIP
MAX703CSA	0°C to +70°C	8 SO
MAX703EPA	-40°C to +85°C	8 PDIP
MAX703ESA	-40°C to +85°C	8 SO
MAX703MJA	-55°C to +125°C	8 CERDIP**
MAX704C/D	0°C to +70°C	Dice*
MAX704CPA	0°C to +70°C	8 PDIP
MAX704CSA	0°C to +70°C	8 SO
MAX704EPA	-40°C to +85°C	8 PDIP
MAX704ESA	-40°C to +85°C	8 SO
MAX704MJA	-55°C to +125°C	8 CERDIP**

\*Dice are tested at  $T_A = +25^\circ\text{C}$  only.

\*\*Contact factory for availability and processing to MIL-STD-883.

Devices in PDIP and SO packages are available in both leaded and lead(Pb)-free packaging. Specify lead(Pb)-free by adding the "+" symbol at the end of the part number when ordering. Lead(Pb)-free not available for CERDIP package.

## Pin Configuration



**Absolute Maximum Ratings**

Terminal Voltage (with respect to GND)	Rate-of-Rise $V_{BATT}$ , $V_{CC}$ .....100V/ $\mu$ s
$V_{CC}$ .....-0.3V to +6.0V	Operating Temperature Range
$V_{BATT}$ .....-0.3V to +6.0V	C Suffix.....0°C to +70°C
All Other Inputs (Note 1).....-0.3V to ( $V_{CB}$ + 0.3V)	E Suffix.....-40°C to +85°C
Input Current	M Suffix.....-55°C to +125°C
$V_{CC}$ .....200mA	Continuous Power Dissipation ( $T_A$ = +70°C)
$V_{BATT}$ .....50mA	8-Pin PDIP (derated 9.09mW/°C above +70°C).....727mW
GND.....20mA	8-Pin SO (derated 5.88mW/°C above +70°C).....471mW
Output Current	8-Pin CERDIP (derated 8.00mW/°C above +85°C).....640mW
$V_{OUT}$ .....Short-Circuit Protected for Up to 10s	Storage Temperature Range .....-65°C to +160°C
All Other Outputs .....20mA	Lead Temperature (soldering, 10s) .....+300°C

**Note 1:**  $V_{CB}$  is the greater of  $V_{CC}$  and  $V_{BATT}$ . The input voltage limits on PFI and  $\overline{MR}$  may be exceeded if the current into these pins is limited to less than 10mA.

*Stresses beyond those listed under "Absolute Maximum Ratings" may cause permanent damage to the device. These are stress ratings only, and functional operation of the device at these or any other conditions beyond those indicated in the operational sections of the specifications is not implied. Exposure to absolute maximum rating conditions for extended periods may affect device reliability.*

**Electrical Characteristics**

( $V_{CC}$  = +4.75V to +5.5V for MAX703,  $V_{CC}$  = +4.5V to +5.5V for MAX704,  $V_{BATT}$  = 2.8V,  $T_A$  =  $T_{MIN}$  to  $T_{MAX}$ , unless otherwise noted.)

PARAMETER	SYMBOL	CONDITIONS	MIN	TYP	MAX	UNITS
Operating Voltage Range $V_{CC}$ , $V_{BATT}$		(Note 2)	0		5.5	V
Supply Current (Excluding $I_{OUT}$ )	$I_{SUPPLY}$	MAX70_C		200	350	$\mu$ A
		MAX70_E/M		200	500	
$I_{SUPPLY}$ in Battery-Backup Mode (Excluding $I_{OUT}$ )		$V_{CC}$ = 0V, $V_{BATT}$ = 2.8V		0.05	1.0	$\mu$ A
		$T_A$ = +25°C			5.0	
		$T_A$ = $T_{MIN}$ to $T_{MAX}$				
$V_{BATT}$ Standby Current (Note 3)		$5.5V > V_{CC} > V_{BATT} + 0.2V$		-0.10	+0.02	$\mu$ A
		$T_A$ = $T_{MIN}$ to $T_{MAX}$		-1.00	+0.02	
$V_{OUT}$ Output		$I_{OUT}$ = 5mA	$V_{CC}$ - 0.05	$V_{CC}$ - 0.025		V
		$I_{OUT}$ = 50mA	$V_{CC}$ - 0.5	$V_{CC}$ - 0.25		
$V_{OUT}$ in Battery-Backup Mode		$I_{OUT}$ = 250 $\mu$ A, $V_{CC} < V_{BATT} - 0.2V$	$V_{BATT}$ - 0.1	$V_{BATT}$ - 0.02		V
Battery Switch Threshold ( $V_{CC} - V_{BATT}$ )		$V_{CC} < V_{RST}$	Power-up	20		mV
			Power-down	-20		
Battery Switchover Hysteresis			40			mV
$\overline{RESET}$ Threshold	$V_{RST}$	MAX703	4.50	4.65	4.75	V
		MAX704	4.25	4.40	4.50	
$\overline{RESET}$ Threshold Hysteresis			40			mV
$\overline{RESET}$ Pulse Width	$t_{RST}$		140	200	280	ms
$\overline{RESET}$ Output Voltage	$V_{OH}$	$I_{SOURCE}$ = 800 $\mu$ A	$V_{CC}$ - 1.5			V
			$I_{SINK}$ = 3.2mA		0.4	
	$V_{OL}$	MAX70_C, $V_{CC}$ = 1V, $V_{CC}$ falling, $V_{BATT}$ = 0V, $I_{SINK}$ = 50 $\mu$ A			0.3	
			MAX70_E/M, $V_{CC}$ = 1.2V, $V_{CC}$ falling, $V_{BATT}$ = 0V, $I_{SINK}$ = 100 $\mu$ A			

Electrical Characteristics (continued)

(V<sub>CC</sub> = +4.75V to +5.5V for MAX703, V<sub>CC</sub> = +4.5V to +5.5V for MAX704, V<sub>BATT</sub> = 2.8V, T<sub>A</sub> = T<sub>MIN</sub> to T<sub>MAX</sub>, unless otherwise noted.)

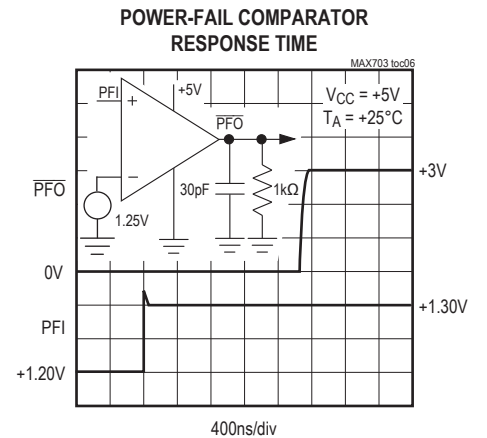
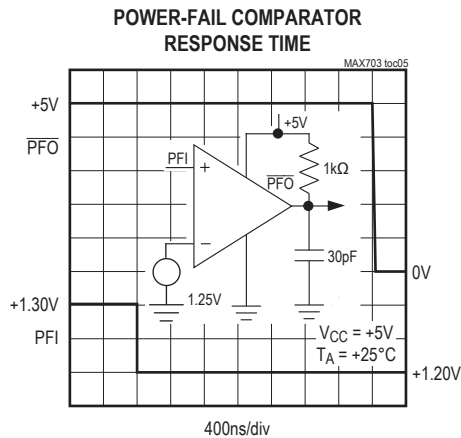
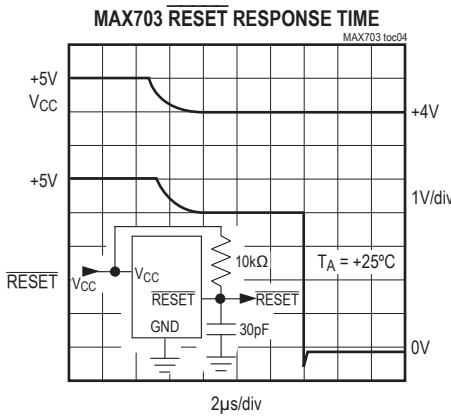
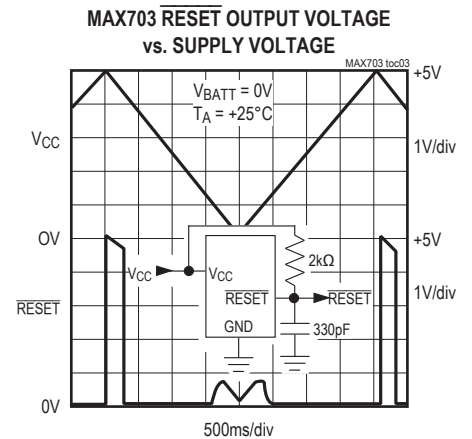
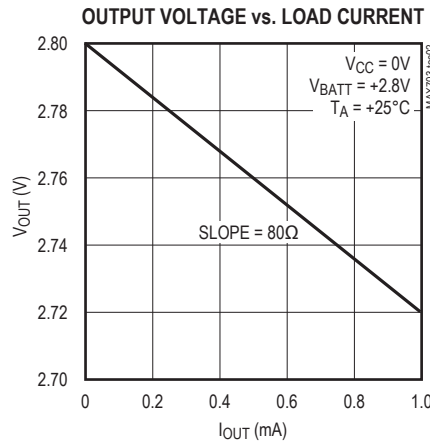
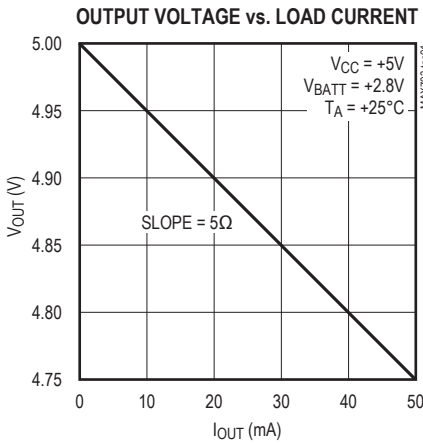
PARAMETER	SYMBOL	CONDITIONS	MIN	TYP	MAX	UNITS
MR Input Threshold	V <sub>IL</sub>	Low			0.8	V
	V <sub>IH</sub>	High	2.0			
MR Pulse Width	t <sub>MR</sub>		150			ns
MR to RESET Delay	t <sub>MD</sub>				250	ns
MR Pullup Current		MR = 0V	100	250	600	μA
PFI Input Threshold		V <sub>CC</sub> = 5V	1.20	1.25	1.30	V
PFI Input Current			-25	+0.01	+25	nA
PFO Output Voltage	V <sub>OH</sub>	I <sub>SOURCE</sub> = 800μA	V <sub>CC</sub> - 1.5			V
	V <sub>OL</sub>	I <sub>SINK</sub> = 3.2mA			0.4	

Note 2: Either V<sub>CC</sub> or V<sub>BATT</sub> can go to 0V if the other is greater than 2.0V.

Note 3: “-” = battery-charging current, “+” = battery-discharging current.

Typical Operating Characteristics

(V<sub>CC</sub> = +5V, V<sub>BATT</sub> = 2.8V, T<sub>A</sub> = +25°C, unless otherwise noted.)



Pin Description

PIN	NAME	FUNCTION
1	V <sub>OUT</sub>	Supply Output for CMOS RAM. When V <sub>CC</sub> is above the reset threshold, V <sub>OUT</sub> connects to V <sub>CC</sub> through a p-channel MOSFET switch. When V <sub>CC</sub> is below the reset threshold, the higher of V <sub>CC</sub> or V <sub>BATT</sub> is connected to V <sub>OUT</sub> .
2	V <sub>CC</sub>	+5V Supply Input
3	GND	Ground
4	PFI	Power-Fail Comparator Input. When PFI is less than 1.25V, $\overline{\text{PFO}}$ goes low; otherwise $\overline{\text{PFO}}$ remains high. Connect PFI to GND or V <sub>CC</sub> when not used.
5	$\overline{\text{PFO}}$	Power-Fail Comparator Output. It goes low and sinks current when PFI is less than 1.25V; otherwise $\overline{\text{PFO}}$ remains high.
6	$\overline{\text{MR}}$	Manual Reset Input. Generates a reset pulse when pulled below 0.8V. This active-low input is TTL/CMOS compatible and can be shorted to ground with a switch. It has an internal 250 $\mu$ A pullup current. Leave floating when not used.
7	$\overline{\text{RESET}}$	Reset Output. Remains low while V <sub>CC</sub> is below the reset threshold (4.65V for the MAX703, 4.40V for the MAX704). It remains low for 200ms after V <sub>CC</sub> rises above the reset threshold (Figure 2) or $\overline{\text{MR}}$ goes from low to high.
8	V <sub>BATT</sub>	Backup-Battery Input. When V <sub>CC</sub> falls below the reset threshold, V <sub>BATT</sub> is switched to V <sub>OUT</sub> if V <sub>BATT</sub> is 20mV greater than V <sub>CC</sub> . When V <sub>CC</sub> rises 20mV above V <sub>BATT</sub> , V <sub>CC</sub> is switched to V <sub>OUT</sub> . The 40mV hysteresis prevents repeated switching if V <sub>CC</sub> falls slowly.

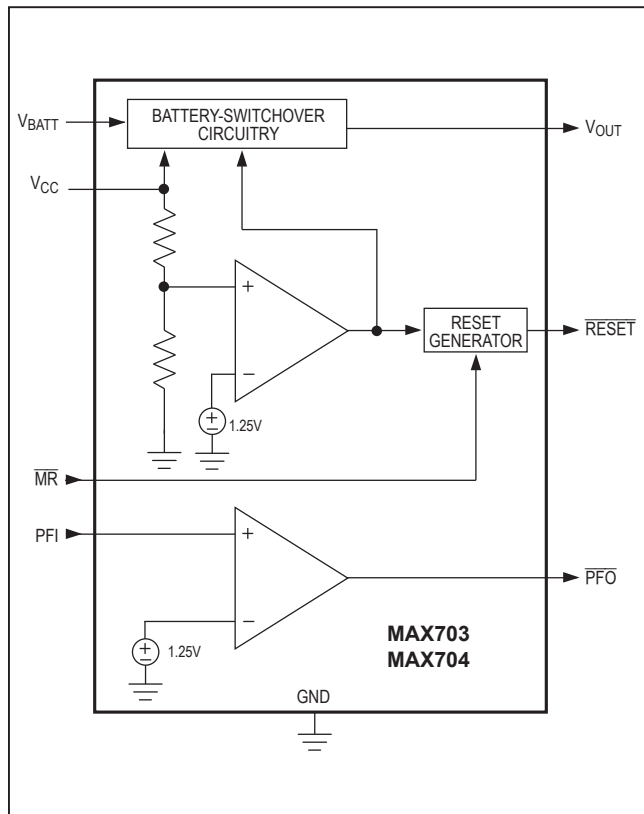


Figure 1. Block Diagram

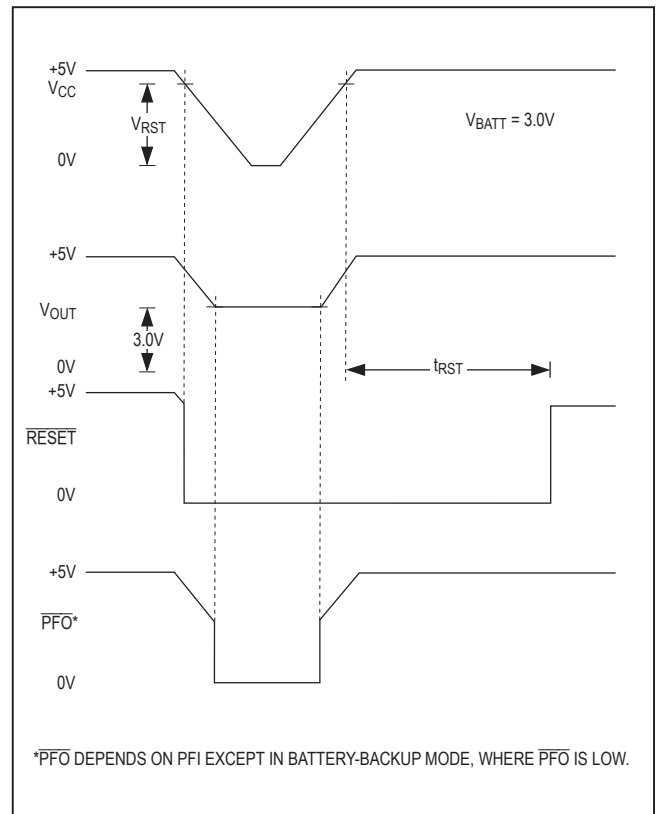


Figure 2. Timing Diagram

Detailed Description

RESET Output

A  $\mu\text{P}$ 's reset input starts the  $\mu\text{P}$  in a known state. Whenever the  $\mu\text{P}$  is in an unknown state, it should be held in reset. The MAX703/MAX704 assert reset when  $V_{CC}$  is low, preventing code-execution errors during power-up, power-down, or brownout conditions.

When  $V_{BATT}$  is 2V or more,  $\overline{\text{RESET}}$  is always valid, irrespective of  $V_{CC}$ . On power-up, as  $V_{CC}$  rises,  $\overline{\text{RESET}}$  remains low. When  $V_{CC}$  exceeds the reset threshold, an internal timer holds  $\overline{\text{RESET}}$  low for a time equal to the reset pulse width (typically 200ms); after this interval,  $\overline{\text{RESET}}$  goes high (Figure 2). If a power-fail or brownout condition occurs (i.e.,  $V_{CC}$  drops below the reset threshold),  $\overline{\text{RESET}}$  is asserted. As long as  $V_{CC}$  remains below the reset threshold, the internal timer is continually restarted, causing the  $\overline{\text{RESET}}$  output to remain low. Thus, a brownout condition that interrupts a previously initiated reset pulse causes an additional 200ms delay from the end of the last interruption.

Power-Fail Comparator

The PFI input is compared to an internal reference. If PFI is less than 1.25V,  $\overline{\text{PFO}}$  goes low. The power-fail comparator can be used as an undervoltage detector to signal a failing power supply. In the *Typical Operating Circuit*, an external voltage-divider at PFI is used to monitor the unregulated DC voltage from which the regulated +5V supply is derived.

The voltage-divider can be chosen so the voltage at PFI falls below 1.25V just before the +5V regulator drops out.  $\overline{\text{PFO}}$  is then used as an interrupt to prepare the  $\mu\text{P}$  for power-down.

To conserve power, the power-fail comparator is turned off and  $\overline{\text{PFO}}$  is forced low when the MAX703/MAX704 enter battery-backup mode.

Backup-Battery Switchover

In the event of a brownout or power failure, it may be necessary to preserve the contents of RAM. With a backup battery installed at  $V_{BATT}$ , the MAX703/MAX704 automatically switch RAM to backup power when  $V_{CC}$  fails.

As long as  $V_{CC}$  exceeds the reset threshold,  $V_{CC}$  connects to  $V_{OUT}$  through a 5 $\Omega$  p-channel MOSFET power switch. Once  $V_{CC}$  falls below the reset threshold,  $\overline{\text{RESET}}$  goes low and  $V_{CC}$  or  $V_{BATT}$  (whichever is higher) switches to  $V_{OUT}$ . Note that  $V_{BATT}$  switches to  $V_{OUT}$  through an 80 $\Omega$  switch only if  $V_{CC}$  is below the resetthreshold voltage and  $V_{BATT}$  is greater than  $V_{CC}$ . When  $V_{CC}$  exceeds the reset threshold, it is connected to the MAX703/

MAX704 substrate, regardless of the voltage applied to  $V_{BATT}$  (Figure 3). During this time, diode D1 (between  $V_{BATT}$  and the substrate) conducts current from  $V_{BATT}$  to  $V_{CC}$  if  $V_{BATT} \geq (V_{CC} + 0.6V)$ .

When the battery-backup mode is activated,  $V_{BATT}$  connects to  $V_{OUT}$ . In this mode, the substrate connects to  $V_{BATT}$  and internal circuitry is powered from the battery (Figure 3). Table 1 shows the status of the MAX703/MAX704 inputs and outputs in battery-backup mode.

When  $V_{CC}$  is below, but within, 1V of  $V_{BATT}$ , the internal switchover comparator draws about 30 $\mu\text{A}$ . Once  $V_{CC}$

Table 1. Input and Output Status in Battery-Backup Mode

SIGNAL	STATUS
$V_{CC}$	Disconnected from $V_{OUT}$ .
$V_{OUT}$	Connected to $V_{BATT}$ through an internal 80 $\Omega$ p-channel MOSFET switch.
$V_{BATT}$	Connected to $V_{OUT}$ . Supply current is $< 1\mu\text{A}$ when $V_{CC} < (V_{BATT} - 1V)$ .
$\overline{\text{RESET}}$	Logic-low.
PFI	Power-fail comparator is disabled.
$\overline{\text{PFO}}$	Logic-low.
$\overline{\text{MR}}$	Disabled.

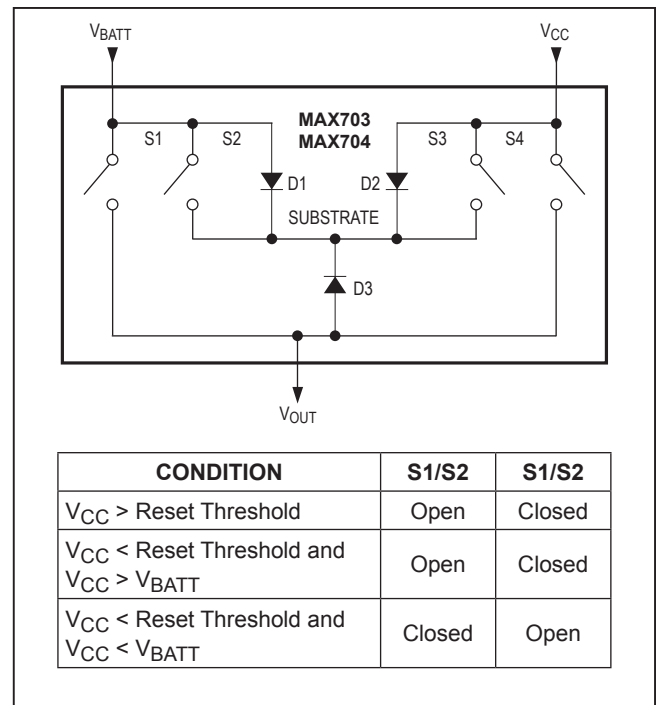


Figure 3. Battery-Switchover Block Diagram

## MAX703/MAX704

drops to more than 1V below  $V_{BATT}$ , the internal switch-over comparator shuts off and the supply current falls to less than 1 $\mu$ A.

### Manual Reset

The manual reset input ( $\overline{MR}$ ) allows  $\overline{RESET}$  to be activated by a pushbutton switch. The switch is effectively debounced by the 140ms minimum reset pulse width. Because it is TTL/CMOS compatible,  $\overline{MR}$  can be driven by an external logic line.

## Applications Information

### Using a Supercap as a Backup Power Source

Supercaps are capacitors with extremely high capacitance values (on the order of 0.1 Farad). When using supercaps, if  $V_{CC}$  exceeds the MAX703/MAX704 reset thresholds (4.65V and 4.40V, respectively),  $V_{BATT}$  may not exceed  $V_{CC}$  by more than 0.6V. Thus, with a 5% tolerance on  $V_{CC}$ ,  $V_{BATT}$  should not exceed  $V_{CC}(\text{min}) + 0.6V = 5.35V$ . Similarly, with a 10% tolerance on  $V_{CC}$ ,  $V_{BATT}$  should not exceed 5.1V.

Figure 4's supercap circuit uses the MAX703 with a  $\pm 5\%$  tolerance voltage supply. In this circuit, the supercap rapidly charges to within a diode drop of  $V_{CC}$ . However, the diode leakage current with trickle charge the supercap voltage to  $V_{CC}$ . If  $V_{BATT} = 5.25V$  and the power is suddenly removed and then reapplied with  $V_{CC} = 4.75V$ ,  $V_{BATT} - V_{CC}$  does not exceed the allowable 0.6V difference voltage.

Figure 5's circuit uses the MAX704 with a  $\pm 10\%$  tolerance voltage supply. Note that if  $V_{CC} = 5.5V$  and  $V_{BATT} \leq 5.1V$ , the power can be suddenly removed and reapplied with  $V_{CC} = 4.5V$ , and  $V_{BATT} - V_{CC}$  will not exceed the allowable 0.6V voltage difference.

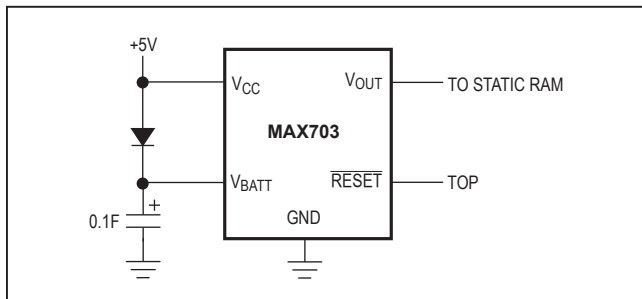


Figure 4. Using a Supercap as a Backup Power Source with a MAX703 and a +5V  $\pm 5\%$  Supply

## Low-Cost Microprocessor Supervisory Circuits with Battery Backup

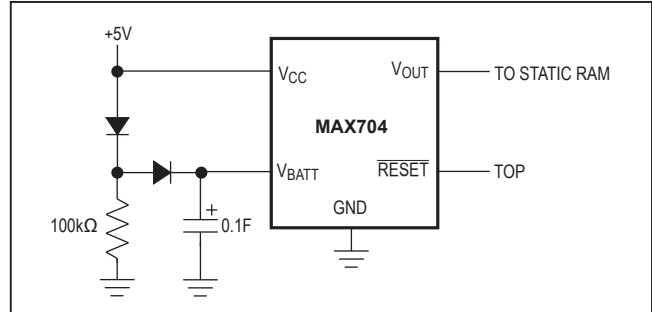


Figure 5. Using a Supercap as a Backup Power Source with the MAX704 and a +5V  $\pm 10\%$  Supply

### Batteries and Power Supplies as Backup Power Sources

Lithium batteries work well as backup batteries because they have very low self-discharge rates and high-energy density. Single lithium batteries with opencircuit voltages of 3.0V to 3.6V are ideal for use with the MAX703/MAX704. Batteries with an open-circuit voltage less than the minimum reset threshold plus 0.3V can be directly connected to the MAX703/MAX704  $V_{BATT}$  input with no additional circuitry (see the *Typical Operating Circuit*).

However, batteries with open-circuit voltages greater than the reset threshold plus 0.3V **cannot** be used as backup batteries, since they source current into the substrate through diode D1 (Figure 3) when  $V_{CC}$  is close to the reset threshold.

### Table 2. Allowable Backup-Battery Voltages

PART	MAXIMUM BACKUP-BATTERY VOLTAGE (V)
MAX703	4.80
MAX704	4.55

### Using the MAX703/MAX704 without a Backup Power Source

If a backup power source is not used, ground  $V_{BATT}$  and connect  $V_{CC}$  to  $V_{OUT}$ . A direct connection to  $V_{CC}$  eliminates any voltage drop across the internal switch, which would otherwise appear at  $V_{OUT}$ . Alternatively, use the MAX705–MAX708, which do not have batterybackup capabilities.



**Ensuring a Valid  $\overline{\text{RESET}}$  Output Down to  $V_{CC} = 0V$**

When  $V_{CC}$  falls below 1V, the MAX703/MAX704  $\overline{\text{RESET}}$  output no longer sinks current; it becomes an open circuit. High-impedance CMOS logic inputs can drift to undetermined voltages if left as open circuits. If a pull-down resistor is added to the  $\overline{\text{RESET}}$  pin as shown in Figure 6, any stray charge or leakage currents will flow to ground, holding  $\overline{\text{RESET}}$  low. Resistor value R1 is not critical. It should be about 100k $\Omega$ , which is large enough not to load  $\overline{\text{RESET}}$  and small enough to pull  $\overline{\text{RESET}}$  to ground.

**Replacing the Backup Battery**

The backup battery can be removed while  $V_{CC}$  remains valid without triggering a reset. As long as  $V_{CC}$  stays above the reset threshold, battery-backup mode cannot

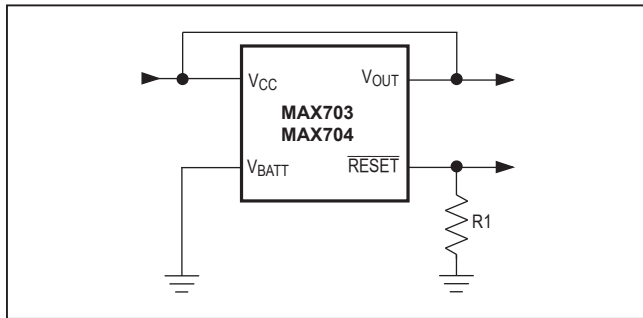


Figure 6.  $\overline{\text{RESET}}$  Valid to Ground Circuit

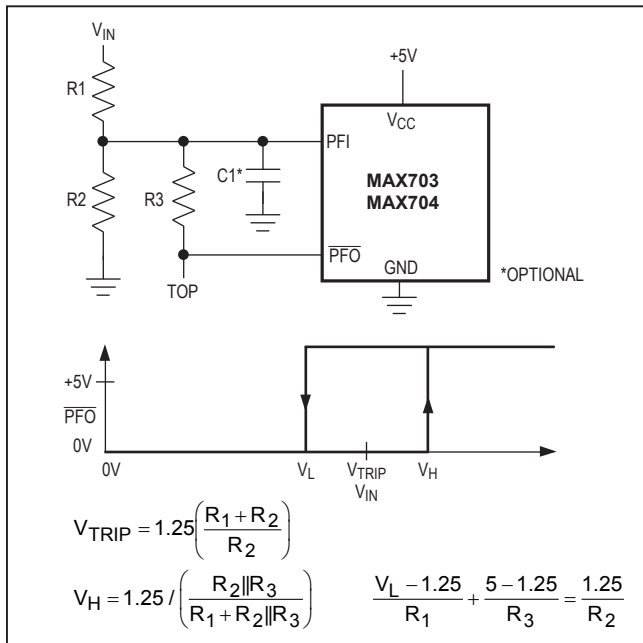


Figure 7. Adding Hysteresis to the Power-Fail Comparator

be entered. This is an improvement on switchover ICs that initiate a reset when  $V_{CC}$  and  $V_{BATT}$  are at or near the same voltage level (regardless of the reset threshold voltage). If the voltage on the unconnected  $V_{BATT}$  pin floats up toward  $V_{CC}$ , this condition alone cannot initiate a reset when using the MAX703/MAX704.

**Adding Hysteresis to the Power-Fail Comparator**

Hysteresis adds a noise margin to the power-fail comparator and prevents repeated triggering of  $\overline{\text{PFO}}$  when  $V_{IN}$  is near the power-fail comparator trip point. Figure 7 shows how to add hysteresis to the power-fail comparator. Select the ratio of R1 and R2 so that PFI sees 1.25V when  $V_{IN}$  falls to the desired trip point ( $V_{TRIP}$ ). Resistor R3 adds hysteresis. It will typically be an order of magnitude greater than R1 or R2. The current through R1 and R2 should be at least 1 $\mu$ A to ensure that the 25nA (max) PFI input current does not shift the trip point. R3 should be larger than 10k $\Omega$  to prevent it from loading down the  $\overline{\text{PFO}}$  pin. Capacitor C1 adds additional noise rejection.

**Monitoring a Negative Voltage**

The power-fail comparator can be used to monitor a negative supply voltage using Figure 8's circuit. When the negative supply is valid,  $\overline{\text{PFO}}$  is low. When the negative supply voltage droops,  $\overline{\text{PFO}}$  goes high. This circuit's accuracy is affected by the PFI threshold tolerance, the  $V_{CC}$  voltage, and resistors R1 and R2.

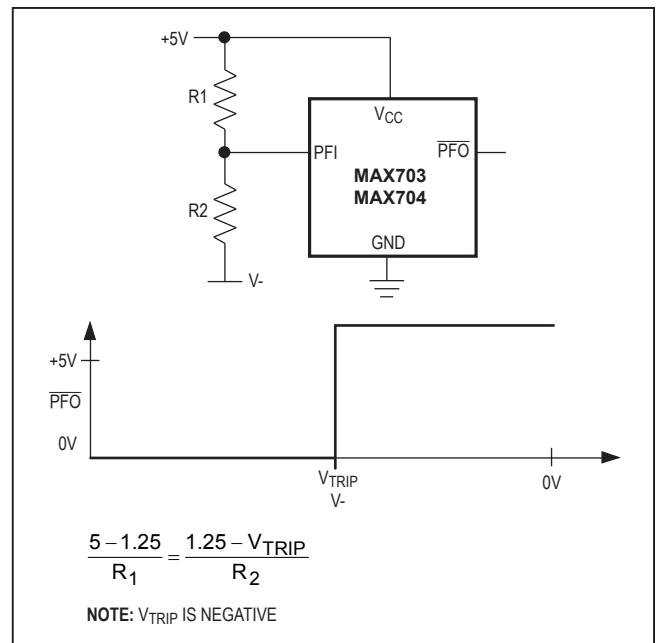


Figure 8. Monitoring a Negative Voltage

**Using the Power-Fail Comparator  
to Assert Reset**

In addition to asserting reset at the  $V_{CC}$  reset threshold voltage, reset can also be asserted at the PFI input threshold voltage. Connect  $\overline{PFO}$  to  $\overline{MR}$  to initiate a reset

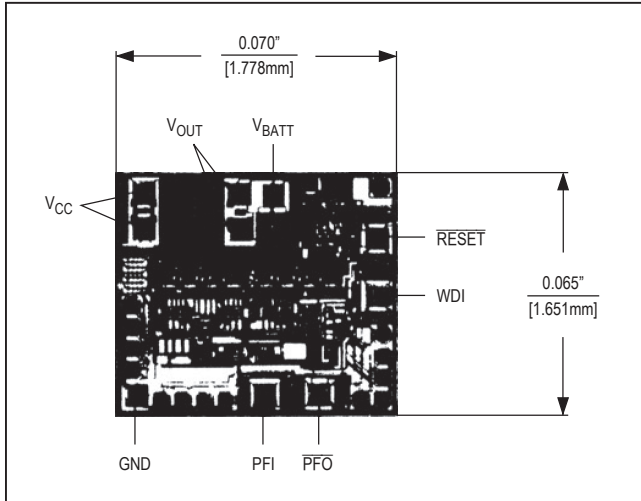
pulse when the monitored supply drops below a user-specified threshold or when  $V_{CC}$  falls below the reset threshold. For additional noise rejection, place a capacitor between PFI and GND.

**Table 3. Maxim Microprocessor Supervisory Products**

PART	NOMINAL RESET THRESHOLD (V)	MINIMUM RESET PULSE WIDTH (ms)	NOMINAL WATCH-DOG TIMEOUT PERIOD (s)	BACKUP-BATTERY SWITCH	$\overline{CE}$ WRITE PROTECT	POWER-FAIL COMPARATOR	MANUAL RESET INPUT	WATCH-DOG INPUT	LOW-LINE OUTPUT	ACTIVE-HIGH RESET	BATT ON OUTPUT
MAX690A	4.65	140	1.6	Yes	No	Yes	No	No	No	No	No
MAX691A	4.65	140/Adj.	1.6/Adj.	Yes	Yes	Yes	No	Yes	Yes	Yes	Yes
MAX692A	4.40	140	1.6	Yes	No	Yes	No	No	No	No	No
MAX693A	4.40	140/Adj.	1.6/Adj.	Yes	Yes	Yes	No	Yes	Yes	Yes	Yes
MAX696	Adj.	35/Adj.	1.6/Adj.	Yes	No	Yes	No	Yes	Yes	Yes	Yes
MAX697	Adj.	35/Adj.	1.6/Adj.	No	Yes	Yes	No	Yes	Yes	Yes	No
MAX700	4.65/Adj.	200	—	No	No	No	Yes	No	No	Yes	No
MAX703	4.65	140	—	Yes	No	Yes	Yes	No	No	No	No
MAX704	4.40	140	—	Yes	No	Yes	Yes	No	No	No	No
MAX705	4.65	140	1.6	No	No	Yes	Yes	Yes	No	No	No
MAX706	4.40	140	1.6	No	No	Yes	Yes	Yes	No	No	No
MAX707	4.65	140	—	No	No	Yes	Yes	No	No	Yes	No
MAX708	4.40	140	—	No	No	Yes	Yes	No	No	Yes	No
MAX791	4.65	140	1.0	Yes	Yes	Yes	Yes	Yes	Yes	Yes	Yes
MAX1232	4.50/4.75	250	0.15/ 0.60/1.2	No	No	No	Yes	No	No	Yes	No
MAX1259	—	—	—	Yes	No	Yes	No	No	No	No	No



Chip Topography



Package Information

For the latest package outline information and land patterns (footprints), go to [www.maximintegrated.com/packages](http://www.maximintegrated.com/packages). Note that a "+", "#", or "-" in the package code indicates RoHS status only. Package drawings may show a different suffix character, but the drawing pertains to the package regardless of RoHS status.

PACKAGE TYPE	PACKAGE CODE	OUTLINE NO.	LAND PATTERN NO.
8 PDIP	P8+1	<a href="#">21-0043</a>	—
8 SO	S8+2	<a href="#">21-0041</a>	<a href="#">90-0096</a>
8 CERDIP	J8+2	<a href="#">21-0045</a>	—

## Revision History

REVISION NUMBER	REVISION DATE	DESCRIPTION	PAGES CHANGED
3	5/14	Removed "Automotive Systems" from the <i>Applications</i> section	1

For pricing, delivery, and ordering information, please contact Maxim Direct at 1-888-629-4642, or visit Maxim Integrated's website at [www.maximintegrated.com](http://www.maximintegrated.com).

*Maxim Integrated cannot assume responsibility for use of any circuitry other than circuitry entirely embodied in a Maxim Integrated product. No circuit patent licenses are implied. Maxim Integrated reserves the right to change the circuitry and specifications without notice at any time. The parametric values (min and max limits) shown in the Electrical Characteristics table are guaranteed. Other parametric values quoted in this data sheet are provided for guidance.*



Компания «ЭлектроПласт» предлагает заключение долгосрочных отношений при поставках импортных электронных компонентов на взаимовыгодных условиях!

Наши преимущества:

- Оперативные поставки широкого спектра электронных компонентов отечественного и импортного производства напрямую от производителей и с крупнейших мировых складов;
- Поставка более 17-ти миллионов наименований электронных компонентов;
- Поставка сложных, дефицитных, либо снятых с производства позиций;
- Оперативные сроки поставки под заказ (от 5 рабочих дней);
- Экспресс доставка в любую точку России;
- Техническая поддержка проекта, помощь в подборе аналогов, поставка прототипов;
- Система менеджмента качества сертифицирована по Международному стандарту ISO 9001;
- Лицензия ФСБ на осуществление работ с использованием сведений, составляющих государственную тайну;
- Поставка специализированных компонентов (Xilinx, Altera, Analog Devices, Intersil, Interpoint, Microsemi, Aeroflex, Peregrine, Syfer, Eurofarad, Texas Instrument, Miteq, Cobham, E2V, MA-COM, Hittite, Mini-Circuits, General Dynamics и др.);

Помимо этого, одним из направлений компании «ЭлектроПласт» является направление «Источники питания». Мы предлагаем Вам помощь Конструкторского отдела:

- Подбор оптимального решения, техническое обоснование при выборе компонента;
- Подбор аналогов;
- Консультации по применению компонента;
- Поставка образцов и прототипов;
- Техническая поддержка проекта;
- Защита от снятия компонента с производства.



#### Как с нами связаться

**Телефон:** 8 (812) 309 58 32 (многоканальный)

**Факс:** 8 (812) 320-02-42

**Электронная почта:** [org@eplast1.ru](mailto:org@eplast1.ru)

**Адрес:** 198099, г. Санкт-Петербург, ул. Калинина, дом 2, корпус 4, литера А.